



RJ-2035B/RJ-2055WB
RJ-3035B/RJ-3055WB

User's Guide (English)

Version 01
ENG

Product specifications vary by region. For more information, see the *Specification Sheet* available from the Brother support website at support.brother.com.

© 2020 Brother Industries, Ltd. All rights reserved.

Copyright Information

The copyright in this manual, the software, and firmware in the printer described therein are owned by Brother. All rights reserved.

Information in this document is subject to change without notice and does not represent a commitment on the part of the company. No part of this manual may be reproduced or transmitted in any form or by any means, for any purpose other than the purchaser's personal use, without the expressed written permission of the company.

Trademarks

The Bluetooth[®] word mark and logos are registered trademarks owned by the Bluetooth SIG, Inc. and any use of such marks by Brother Industries, Ltd. is under license.

Wi-Fi[®] is a registered trademark of Wi-Fi Alliance[®].

CG Triumvirate is a trademark of Agfa Corporation. CG Triumvirate Bold Condensed font is under license from the Monotype Corporation. All other trademarks are the property of their respective owners.

Any trade names and product names of companies appearing on Brother products, related documents and any other materials are all trademarks or registered trademarks of those respective companies.

Contents

1. Introduction.....	1
2. Operations Overview.....	2
2.1 Unpack the printer and check the components.....	2
2.2 Printer Overview.....	3
2.2.1 Front View.....	3
2.2.2 Interior View.....	4
2.2.3 Rear View.....	5
2.2.4 LED Indicators and Buttons.....	6
2.2.5 Battery Charging Cycle.....	10
3. Set up Your Printer.....	13
3.1 Install the Battery.....	13
3.2 Charge the Battery.....	15
3.2.1 Charge the Printer's Battery.....	15
3.2.2 Charge the Battery using the Battery Charger (PA-BC-005) (Optional: only compatible with RJ-3035B/RJ-3055WB).....	16
3.3 Loading the Media.....	18
3.4 Printer Driver Installation.....	20
3.4.1 USB Connection (Windows/Mac/Linux).....	20
3.4.2 Bluetooth Connection (Windows).....	21
3.4.3 Wi-Fi Network Connection (Windows).....	22
3.5 Creating and Printing Labels Using BarTender.....	23
3.6 Connect Your Printer to a Computer.....	24
4. Accessories.....	25
4.1 Install the Belt Clip.....	25
4.2 Install the Roll Holder (PA-RH-002) (Optional).....	27
4.3 Install the Roll Spacer Set (Optional).....	29
4.4 Use the IP54 Protective Case with Shoulder Strap (Optional).....	33
4.5 Install the Shoulder Strap with an Adapter (Optional).....	35
4.6 Using the 1-bay Charging Cradle (Optional).....	36
4.7 Using the 4-bay Charging Cradle (Optional).....	38
4.8 Rechargeable Lithium-Ion Battery (Optional).....	40

5. Power-on Utilities.....	41
5.1 The Gap/Black Mark Sensors Calibration.....	42
5.2 Self-test and Dump Mode.....	43
5.3 Printer Initialization	47
6. BPM (Brother Printer Management Tool)	49
6.1 Start the BPM.....	49
6.2 Calibrating the Media Sensor using the BPM.....	50
7. Product Specifications	51
7.1 General Specifications.....	51
7.2 Print Specifications	52
7.3 Media Specifications.....	53
8. Troubleshooting.....	54
9. Maintenance.....	56

1. Introduction

The RJ-2035B/RJ-2055WB/RJ-3035B/RJ-3055WB is a compact and light-weight mobile printer ideal for organizations that have a mobile workforce.

Its IP54-rated rugged case is splash, dust, and shock resistant, and offers operational mobility virtually anywhere.

The printer can be connected to a computer or mobile device using USB, NFC tag, Bluetooth, or Wi-Fi a/b/g/n to print using various mobile and desktop printing software.

For more information about printing labels, see your labelling software's documentation on the Brother support website at support.brother.com.

2. Operations Overview

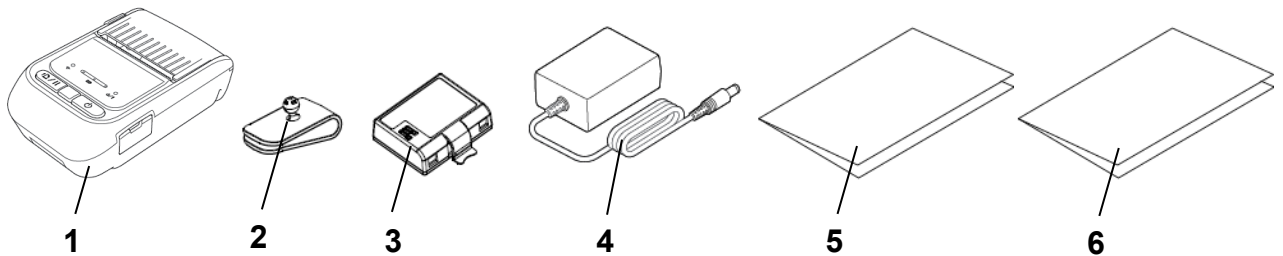
2.1 Unpack the printer and check the components

 **Note**

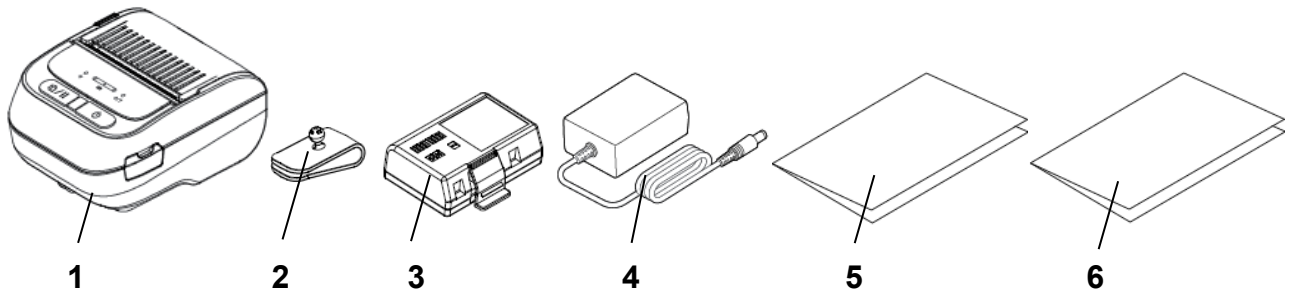
Keep the packaging materials in case you must ship the printer.

The components included in the box:

- RJ-2035B/RJ-2055WB



- RJ-3035B/RJ-3055WB



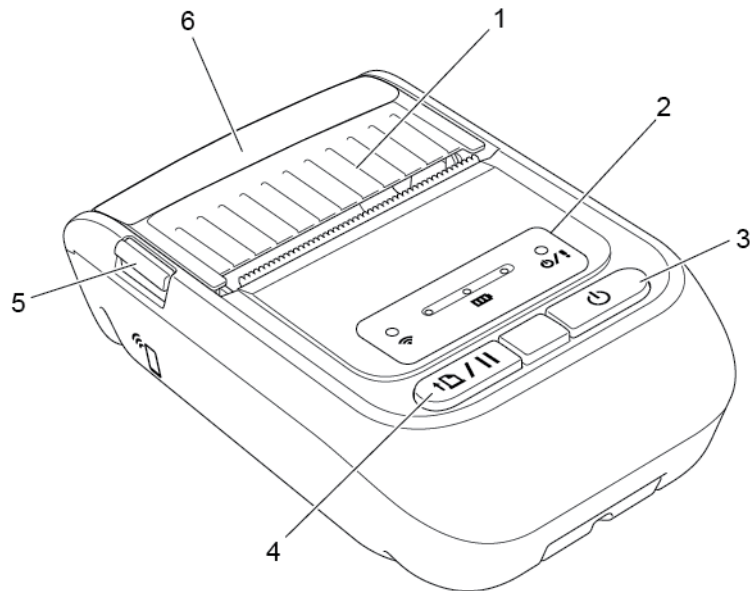
1. Printer
2. Belt Clip
3. Rechargeable Li-ion Battery
4. AC Adapter
5. Quick Setup Guide
6. Product Safety Guide

If any components are missing, contact the product manufacturer's customer service or your local dealer.

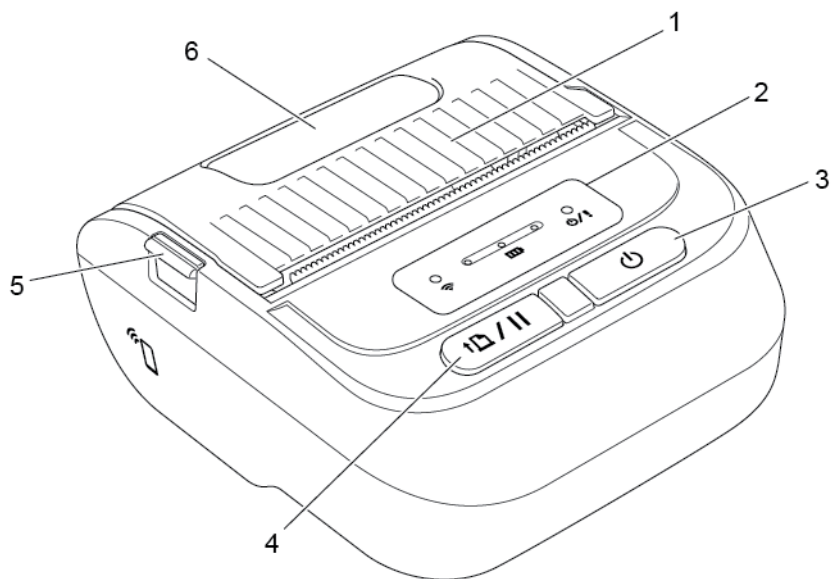
2.2 Printer Overview

2.2.1 Front View

- RJ-2035B/RJ-2055WB



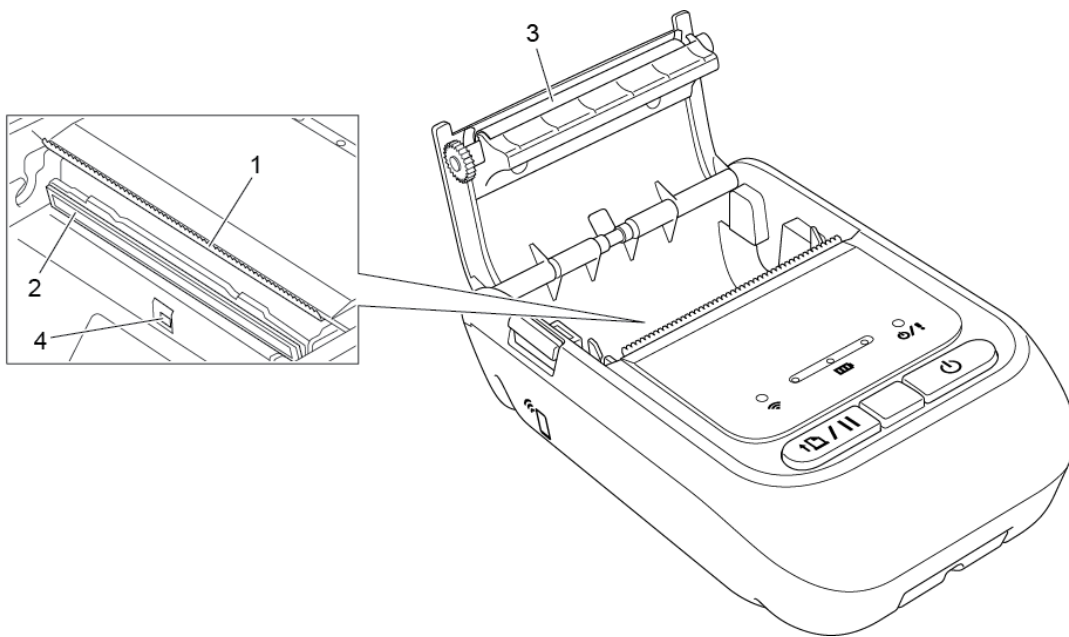
- RJ-3035B/RJ-3055WB



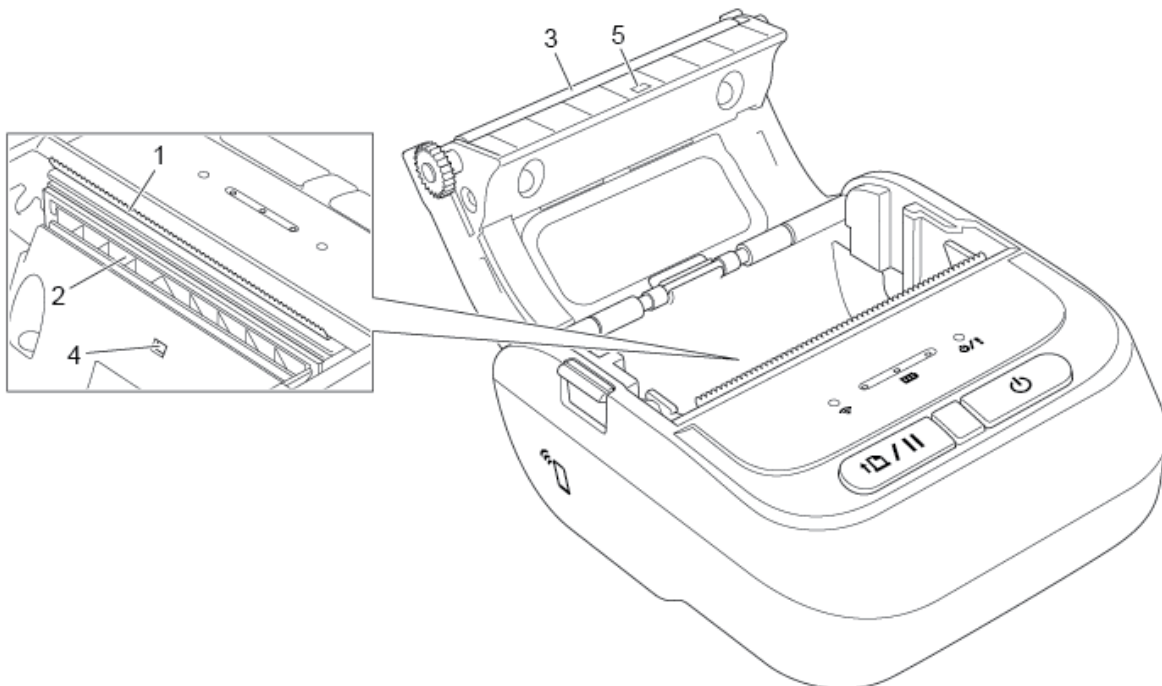
1. Media Compartment Cover
2. LED Indicators
3. Power Button
4. Feed/Pause Button
5. Media Compartment Cover Release Tab
6. Media View Window

2.2.2 Interior View

- RJ-2035B/RJ-2055WB



- RJ-3035B/RJ-3055WB

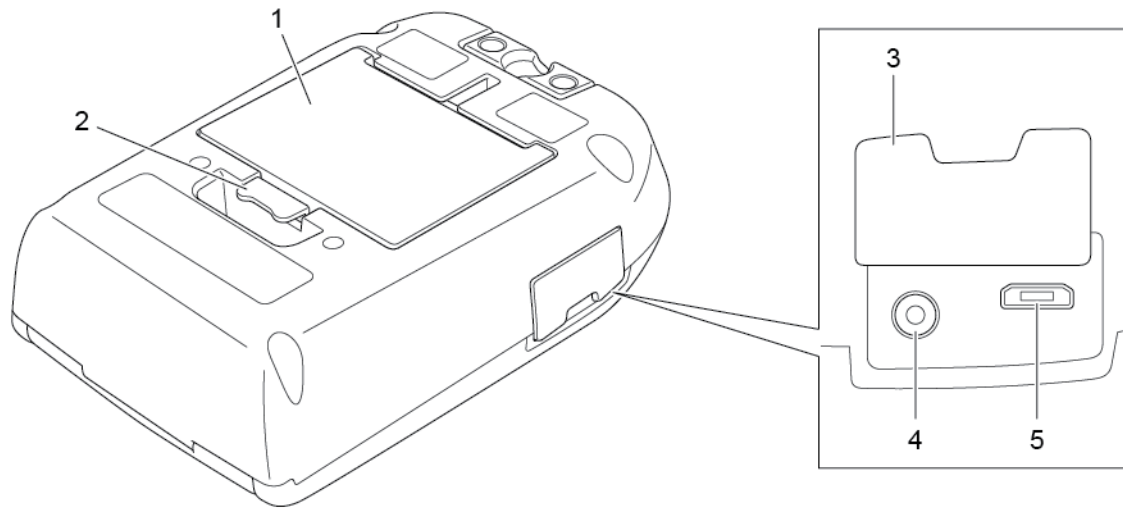


1. Tear Edge
2. Print Head
3. Platen Roller
4. Black Mark Sensor
5. Gap Sensor*

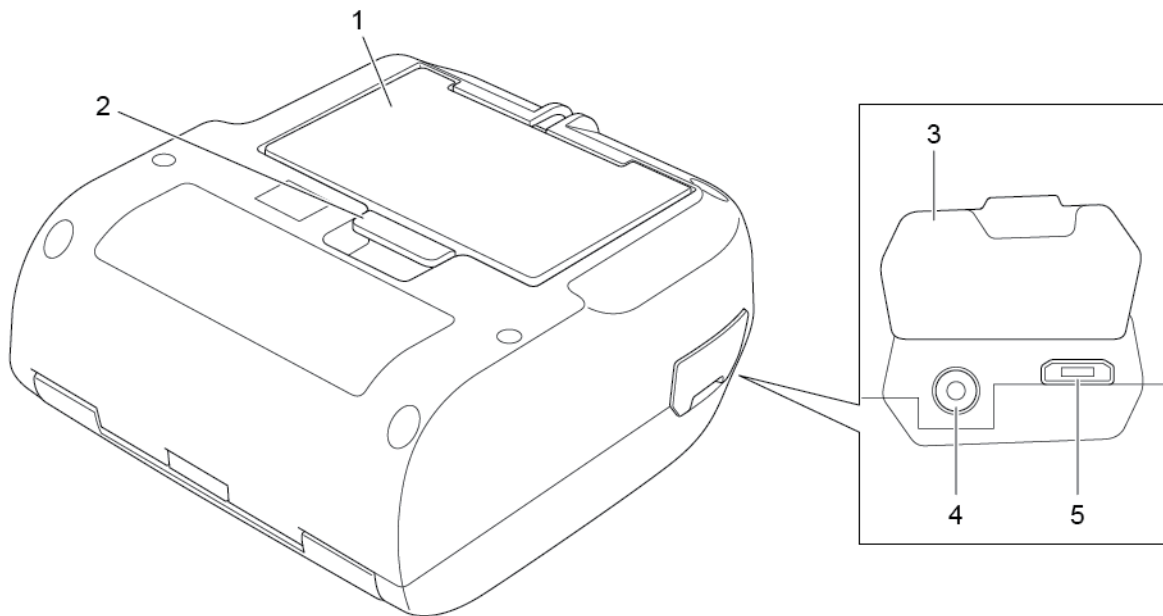
* Product specifications vary by region. For more information, see the *Specification Sheet* available from the Brother support website at support.brother.com.

2.2.3 Rear View

- RJ-2035B/RJ-2055WB



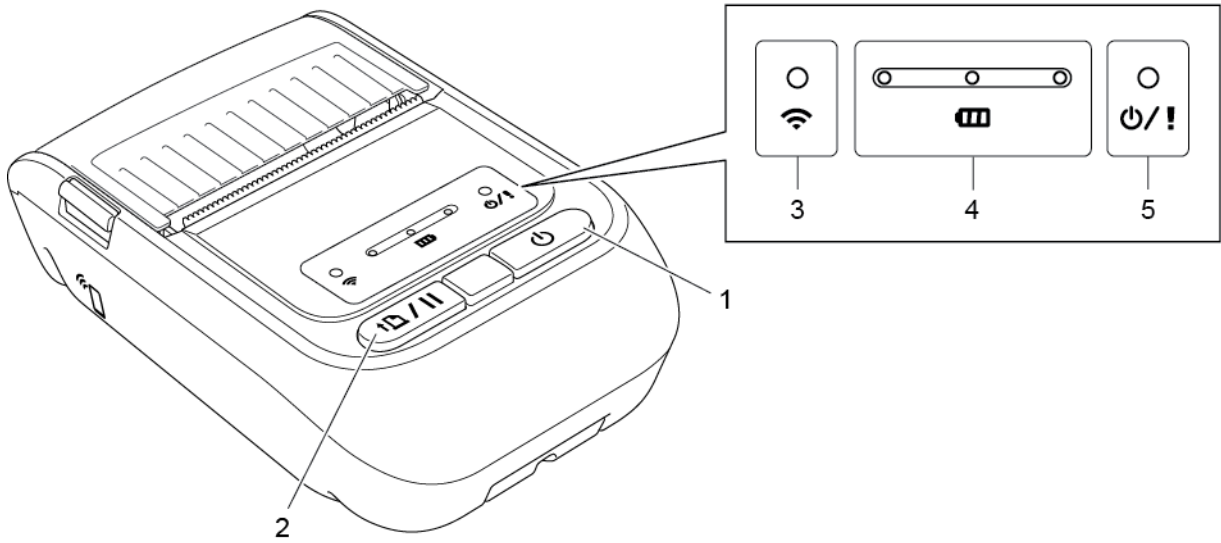
- RJ-3035B/RJ-3055WB




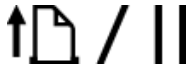
1. Rechargeable Li-ion Battery
2. Battery Release Latch
3. Interface Cover
4. Power Port
5. USB Port (Micro Type USB 2.0)




2.2.4 LED Indicators and Buttons

- RJ-2035B/RJ-2055WB

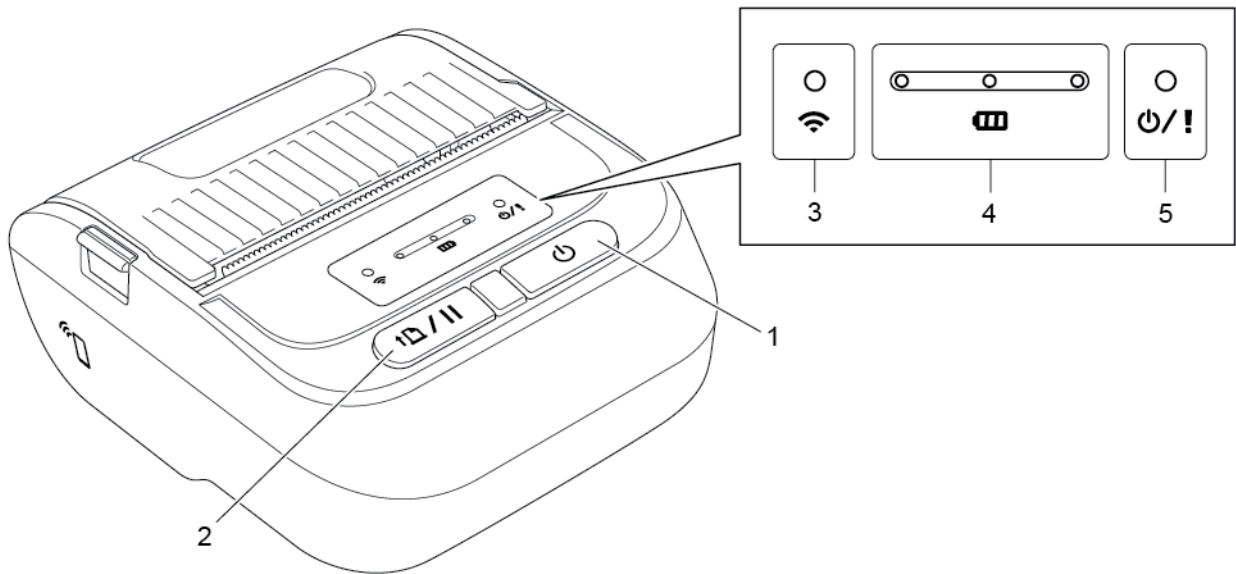


1. Power Button
2. Feed/Pause Button
3. Wi-Fi/Bluetooth Status LED Indicator
4. Battery Status LED Indicators
5. Printer Status LED Indicator


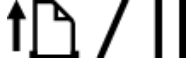
Buttons	Function
 Power Button	Press and hold for three seconds to turn the printer on/off.
 Feed/Pause Button	<ul style="list-style-type: none"> • Ready status: Feeds one label or receipt. • Printing status: Pauses the print job.




LED Indicator	Status	Indication
 Printer Status	Off	The printer is ready.
	Green (blinking)	The printer is paused.
	Green (blinking every two seconds)	The printer has entered sleep mode after more than two minutes of inactivity. To change the sleep mode time, see <i>FBPL Command Reference Manual</i> on the Brother support website.
	Red (solid)	The Media Compartment Cover is open.
	Red (blinking)	A printer error has occurred.
	Orange (blinking)	The printer's battery is charging.
 Battery Status	Green (blinking)	The printer's battery is charging.
	Green (solid)	The printer's battery is fully charged.
 Wi-Fi/Bluetooth Status	Blue (blinking)	The printer is communicating with a Bluetooth/Wi-Fi device.
	Blue (solid)	The printer is connected to a Bluetooth/Wi-Fi device.

● RJ-3035B/RJ-3055WB



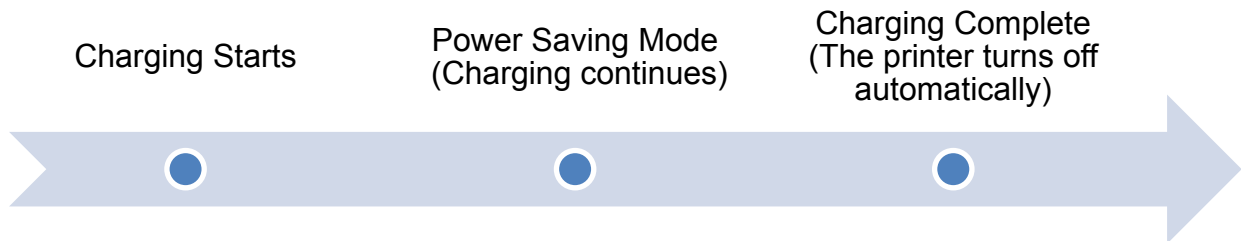
1. Power Button
2. Feed/Pause Button
3. Wi-Fi/Bluetooth Status LED Indicator
4. Battery Status LED Indicators
5. Printer Status LED Indicator

Buttons	Function
 Power Button	Press and hold for three seconds to turn the printer on/off.
 Feed/Pause Button	<ul style="list-style-type: none"> • Ready status: Feeds one label or receipt. • Printing status: Pauses the print job.

LED Indicator	Status	Indication
 Printer Status	Off	The printer is ready.
	Green (blinking)	The printer is paused.
	Green (blinking every two seconds)	The printer has entered sleep mode after more than two minutes of inactivity. To change the sleep mode time, see <i>FBPL Command Reference Manual</i> on the Brother support website.
	Red (solid)	The Media Compartment Cover is open.
	Red (blinking)	A printer error has occurred.
	Orange (blinking)	The printer's battery is charging.
 Battery Status	Green (blinking)	The printer's battery is charging.
	Green (solid)	The printer's battery is fully charged.
 Wi-Fi/Bluetooth Status	Green (blinking)	The printer is communicating with a Wi-Fi device.
	Green (solid)	The printer is connected to a Wi-Fi device.
	Blue (blinking)	The printer is communicating with a Bluetooth device.
	Blue (solid)	The printer is connected to a Bluetooth device.
	White (blinking)	The printer is communicating with a Bluetooth/Wi-Fi device.
	White (solid)	The printer is connected to a Bluetooth/Wi-Fi device.


2.2.5 Battery Charging Cycle

1. When the printer is on or in use



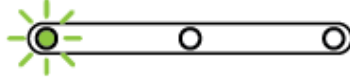









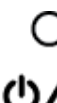


 **Note**

The printer automatically turns off if the battery is fully charged and if it has not received any print jobs for 30 minutes.

 : LED Indicator is lit in the color shown

 : LED Indicator is blinking in the color shown


























Charging Cycle	LED Indicators	Charge Level
1. Charging the battery 	  	0% - 30%
	  	30% - 60%
	  	60% - 100%
	  	100%
2. Power saving mode	<ul style="list-style-type: none"> The Printer Status LED blinks in orange (charging continues). To exit the power saving mode, press Power button or disconnect the power supply. 	
3. Charging complete	When fully charged, the printer turns off automatically.	

 **Note**

- When the printer's battery is being charged, the Printer Status LED blinks in orange.
- To check the charging status, press the **Power** button.

2. When the printer is off

To check the charging status, press the **Power** button.

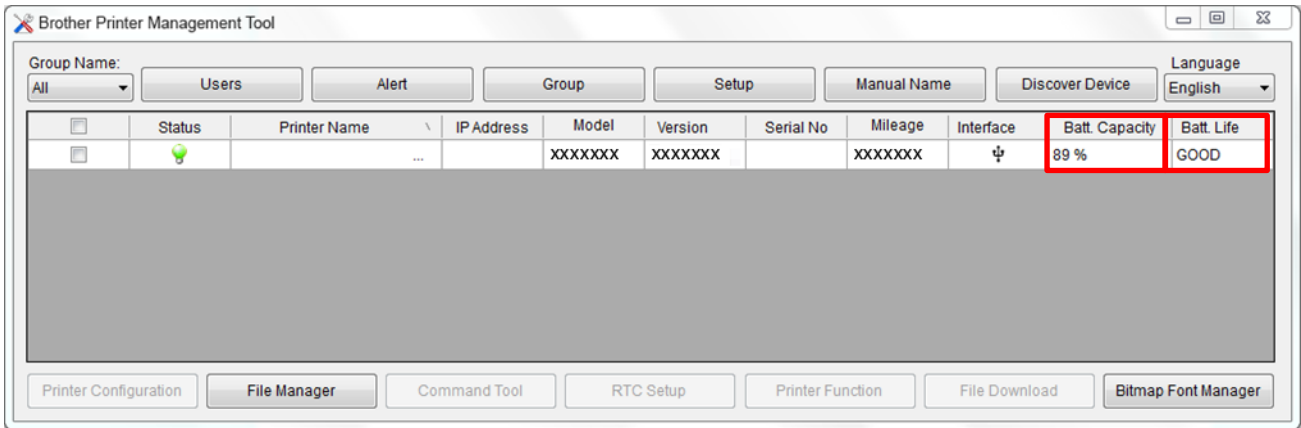
Charging Cycle	LED Indicators	Charge Level
Charging the battery when the printer is off. 	     	0% - 30%
	     	30% - 60%
	     	60% - 100%
	     	100%

 **Note**

- When the printer's battery is being charged, the Printer Status LED blinks in orange.
- The printer automatically turns off if the battery is fully charged and if it has not received any print jobs for 30 minutes.

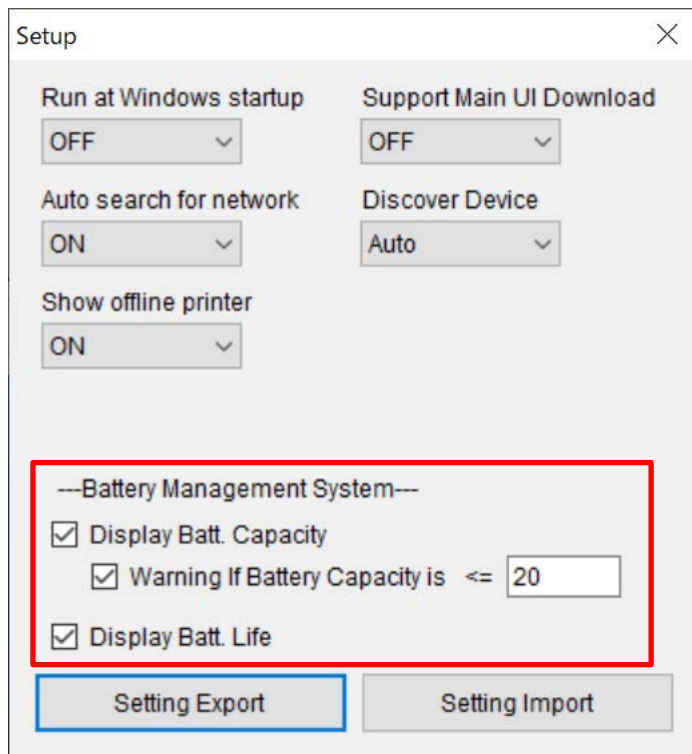
- For RJ-3035B/RJ-3055WB only

To check the charge level and life of the Rechargeable Li-ion Battery, use the Brother Printer Management Tool (BPM). You can download the BPM from your model's **Downloads** page at support.brother.com.



To display the Battery Capacity and Battery Life in the BPM:

1. Insert the smart battery into your printer.
2. Connect the printer to the computer using a USB cable or Wi-Fi.
3. Start the BPM and click the **Setup** button.
4. Select the battery management settings you want and close the **Setup** dialog box.

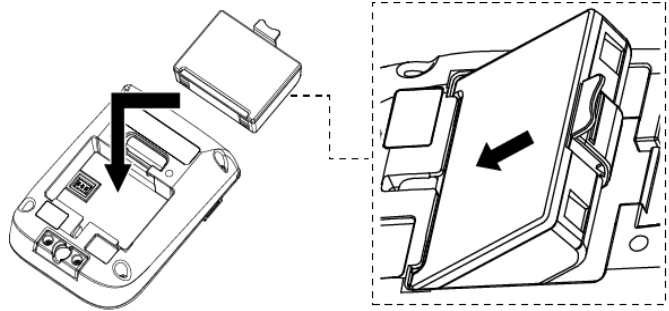


3. Set up Your Printer

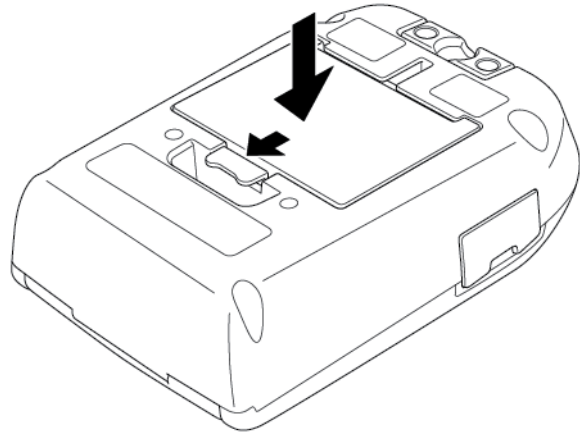
3.1 Install the Battery

- RJ-2035B/RJ-2055WB

1. Insert the battery into the Battery Compartment as illustrated.



2. Gently press the battery down and pull the Battery Release Latch until it locks into place.

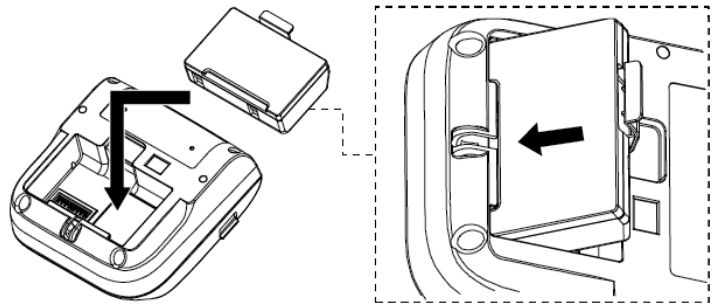


Battery safety warning:

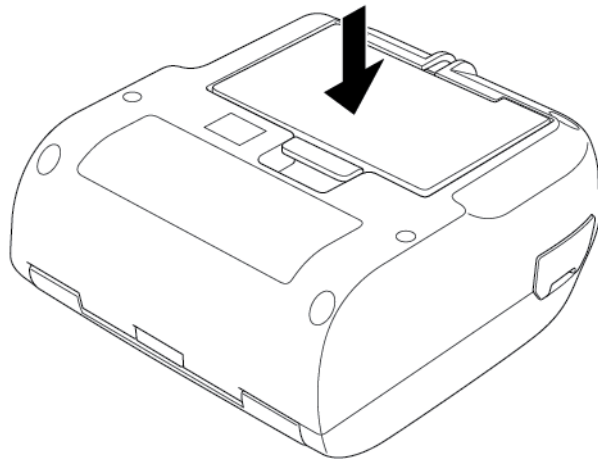
- **DO NOT** throw the battery into fire, expose to heat, disassemble or modify it.
 - **DO NOT** connect the + and - terminals with metal objects such as wire. Do not carry or store the battery with metal objects.
 - **DO NOT** dispose of the battery with household waste.
 - **Observe all applicable regulations when disposing of this product.**
-

● RJ-3035B/RJ-3055WB

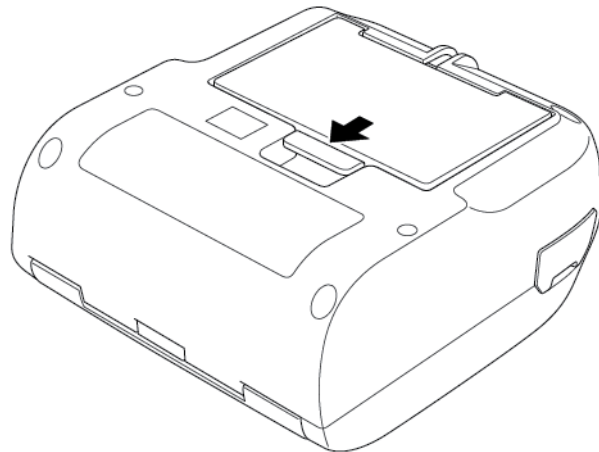
1. Insert the battery into the Battery Compartment as illustrated.



2. Gently press the battery down.



3. Pull the Battery Release Latch and push until it locks into place.



Battery safety warning:

- **DO NOT** throw the battery into fire, expose to heat, disassemble or modify it.
- **DO NOT** connect the + and - terminals with metal objects such as wire. Do not carry or store the battery with metal objects.
- **DO NOT** dispose of the battery with household waste.
- **Observe all applicable regulations when disposing of this product.**

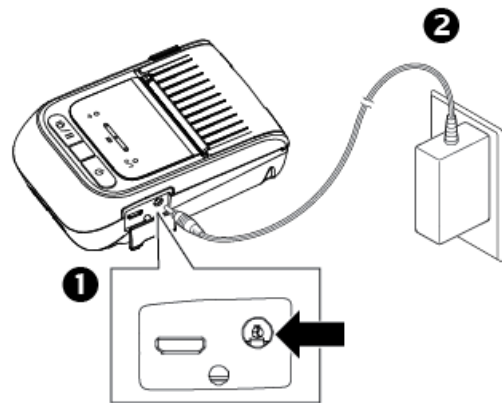
3.2 Charge the Battery

Make sure you fully charge the battery before the first usage. This may take up to two hours.

3.2.1 Charge the Printer's Battery

1. Open the Interface Cover and plug the Power Cord into the Power Port.

RJ-2035B/RJ-2055WB



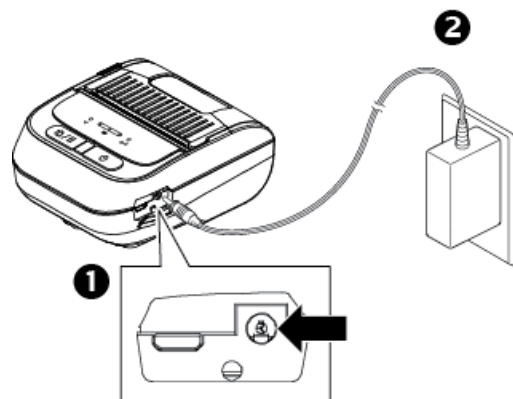
2. Plug the Power Cord into a power outlet (an electrical socket).



Note

For more information about the battery charging cycle, see [section 2.2.5 Battery Charging Cycle](#).

RJ-3035B/RJ-3055WB

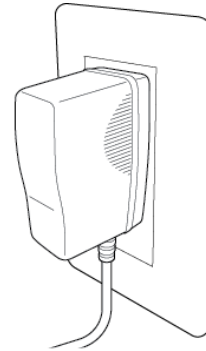


Charging Temperature

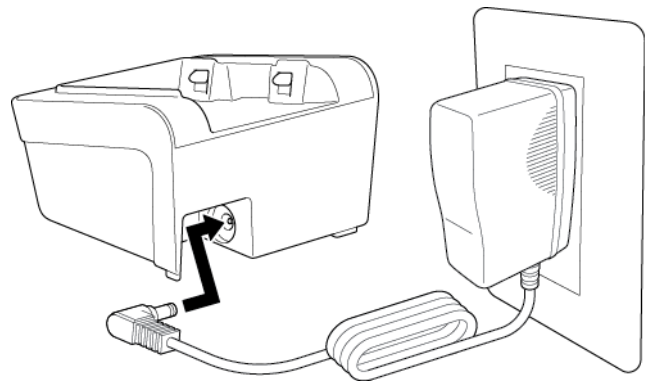
For safe and optimal charging, make sure you charge the printer's battery where the temperature is between 0°C and 40°C (32°F and 104°F). Charging may stop if the internal temperature of the printer or battery exceeds the maximum operating temperature.

3.2.2 Charge the Battery using the Battery Charger (PA-BC-005) (Optional: only compatible with RJ-3035B/RJ-3055WB)

1. Plug the power adapter of the Battery Charger into a grounded AC outlet (an earthed electrical socket).



2. Plug the charger connector into the Battery Charger's DC socket.

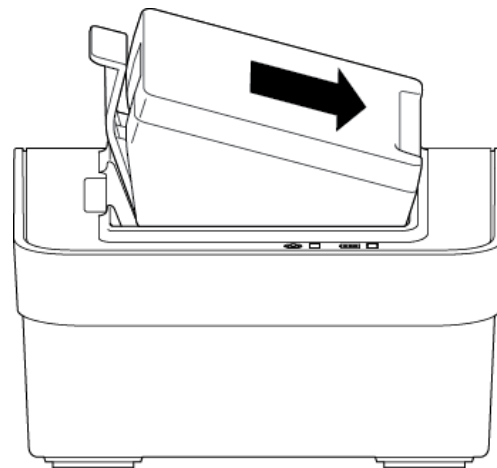


3. Insert the battery into the slot as illustrated.



Note

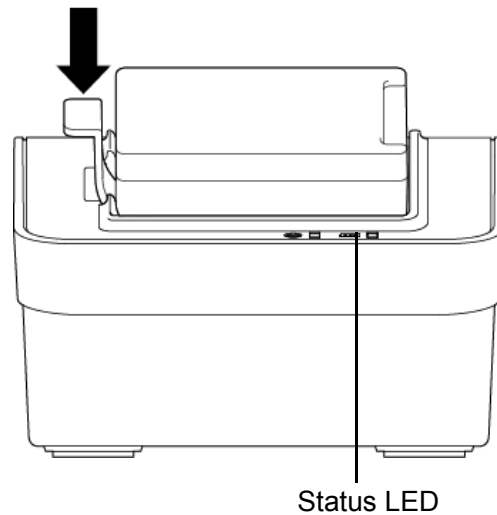
For battery installation instructions, see [section 3.1 Install the Battery](#).



4. Push the Battery Release Latch down until the battery locks into place.
5. (For 4-bay Battery Charger only) Press the battery charger's power switch to On.

 **Note**

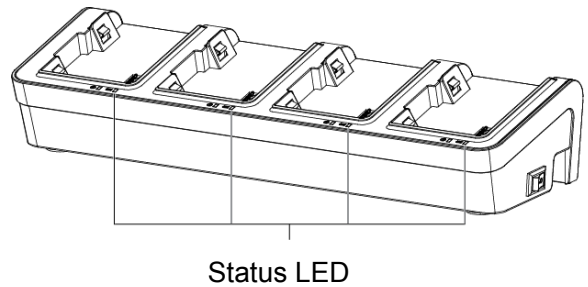
When the battery is fully charged, the Battery Status LED lights in green and the charging stops automatically.



 **Note**

The 4-bay Battery Charger is also available.

- For RJ-2035B/RJ-2055WB:
PA-4BC-001
- For RJ-3035B/RJ-3055WB:
PA-4BC-002

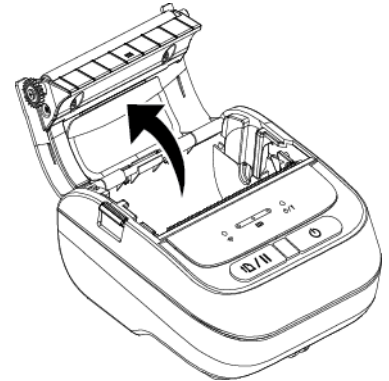
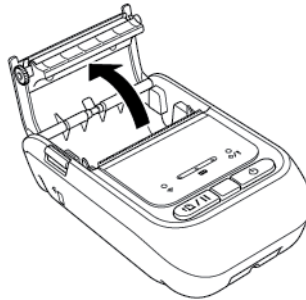
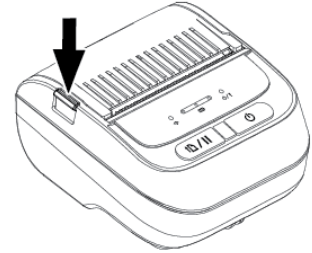
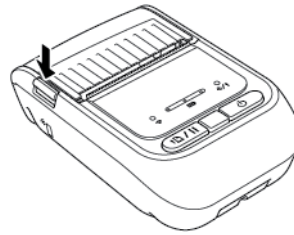


3.3 Loading the Media

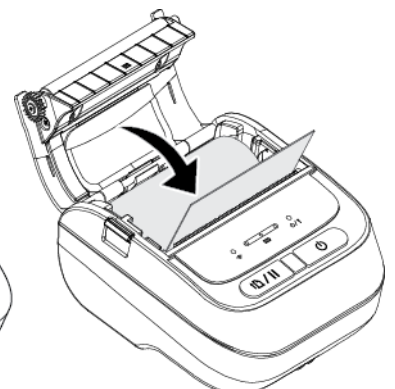
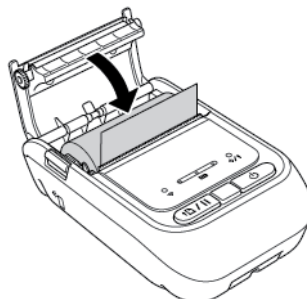
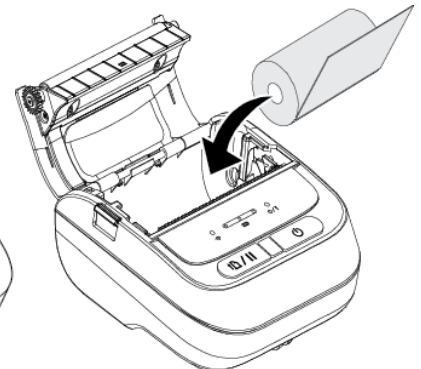
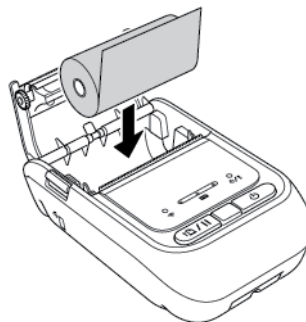
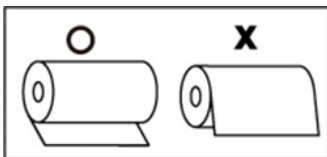
1. Press the Media Compartment Cover Release Tab and lift the Media Compartment Cover.

RJ-2035B/RJ-2055WB

RJ-3035B/RJ-3055WB



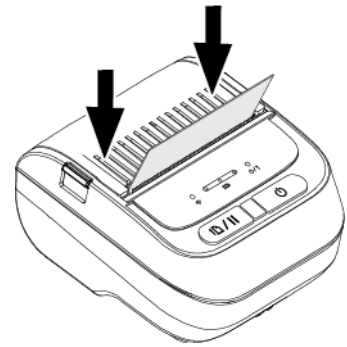
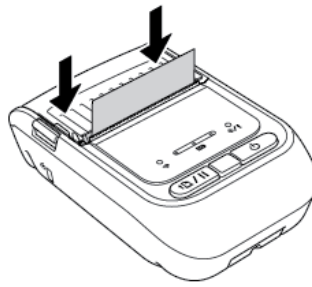
2. Insert the media roll as illustrated, and pull out enough paper over the tear edge.



3. Press down the Media Compartment Cover on both sides to close it gently, and make sure it has closed correctly. We recommend calibrating the sensor every time you change the media.
(See [section 5.1 The Gap/Black Mark Sensors Calibration.](#))

RJ-2035B/RJ-2055WB

RJ-3035B/RJ-3055WB



3.4 Printer Driver Installation

Note

For the model name and serial number, see the label on the base of your printer or inside the battery compartment.

The driver installation method depends on the connection type:

- [USB Connection \(Windows/Mac/Linux\)](#)
- [Bluetooth Connection \(Windows\)](#)
- [Wi-Fi Network Connection \(Windows\)](#)

3.4.1 USB Connection (Windows/Mac/Linux)

Note

Mac/Linux Users

For more information about driver installation, see the driver installation guide provided with the driver.

1. Connect your printer to the computer using a USB cable.
2. Visit support.brother.com, go to your model's **Downloads** page, and download the latest printer driver and software.
3. Run the Seagull Driver Wizard application and select **Install printer drivers** and **USB**.
4. Follow the on-screen instructions.

Note

If you cannot install a printer driver:

- Install a printer driver manually:
In the Seagull Driver Wizard application, select **Install printer drivers > Others**.
 - Remove the printer drivers:
In the Seagull Driver Wizard application, select **Remove printer drivers > Automatically remove all Drivers by Seagull** or **Use advanced printer driver removal options**.
 - Reset the printer settings:
Start the BPM, and then click **Printer Function > Factory Default**.
-

3.4.2 Bluetooth Connection (Windows)

1. Check the Bluetooth Local Name:

- Using the BPM

- a. Connect the printer to the computer using a USB cable.
- b. Click **Printer Configuration > Bluetooth**.

 **Note**

The default Bluetooth Local Name is “PS-*****” where ***** is the last six digits of the Bluetooth MAC Address on the printer's rating label, located on the back of the machine.



2. Turn on your computer's Bluetooth feature.
3. Pair the computer with the printer by selecting **Start > Settings > Devices > Bluetooth & other devices** and enabling Bluetooth.
4. Select **Add Bluetooth or other device** and select your printer.
5. Visit support.brother.com, go to your model's **Downloads** page, and download the latest printer driver and software.
6. Run the Seagull Driver Wizard application and select **Install printer drivers and Bluetooth**.
7. Follow the on-screen instructions.

 **Note**

If you cannot install a printer driver:

- Remove the printer drivers:
In the Seagull Driver Wizard application, select **Remove printer drivers > Automatically remove all Drivers by Seagull or Use advanced printer driver removal options**.
 - Reset the printer settings:
Start the BPM, and then click **Printer Function > Factory Default**.
-

3.4.3 Wi-Fi Network Connection (Windows)

Make sure both your wireless router/access point's and your printer's network settings are correctly set up. For more information, see the documentation provided with your wireless router/access point, or contact the router manufacturer, your system administrator, or Internet service provider.

1. Configure the network settings:

- Using the BPM

1. Connect your printer to the computer using a USB cable.
 2. Click **Printer Configuration > Wi-Fi**.
 3. Specify **SSID**, **Encryption**, and **Key** (Network Password), and then click **Set**.
 4. Click **Get** and confirm that the printer's IP address is correct.
2. Visit support.brother.com, go to your model's **Downloads** page, and download the latest printer driver and software.
 3. Run the Seagull Driver Wizard application and select **Install printer drivers** and **Network**.
 4. Select your printer, and then click **Next**.
 5. If your TCP/IP port does not appear in the list, click **Create port** and select **Standard TCP/IP port > New Port**.
 6. Type your printer's IP address and port name, and then click **Next**.
 7. Click **Finish**.
 8. Return to the **Specify Port** window and select the port you created.
 9. Follow the on-screen instructions.

 **Note**

If you cannot install a printer driver:

- Remove the printer drivers:
In the Seagull Driver Wizard application, select **Remove printer drivers > Automatically remove all Drivers by Seagull** or **Use advanced printer driver removal options**.
 - Reset the printer settings:
Start the BPM, and then click **Printer Function > Factory Default**.
-

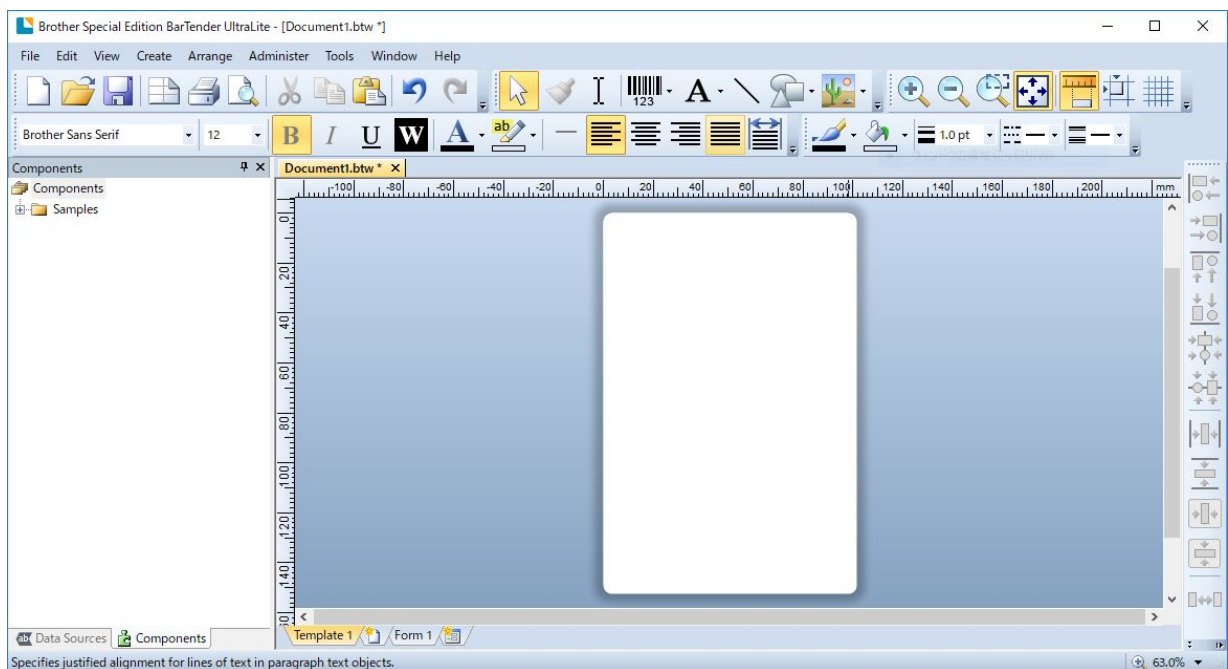
3.5 Creating and Printing Labels Using BarTender

BarTender is a label creation tool, which can be downloaded for free from the product's page at support.brother.com.

1. Launch BarTender.

- For Windows 10, Windows Server 2016, or Windows Server 2019:
Start > BarTender 2016 R7 UltraLite > click BarTender UltraLite, or double-click the **BarTender UltraLite** icon on the desktop.
- For Windows 8.1, Windows Server 2012, or Windows Server 2012 R2:
Click **BarTender UltraLite** on the application screen, or double-click the **BarTender UltraLite** icon on the desktop.
- For Windows 7:
Start > All Programs > BarTender 2016 R7 UltraLite > click BarTender UltraLite, or double-click the **BarTender UltraLite** icon on the desktop.

2. Follow the on-screen steps to create a label.



Note

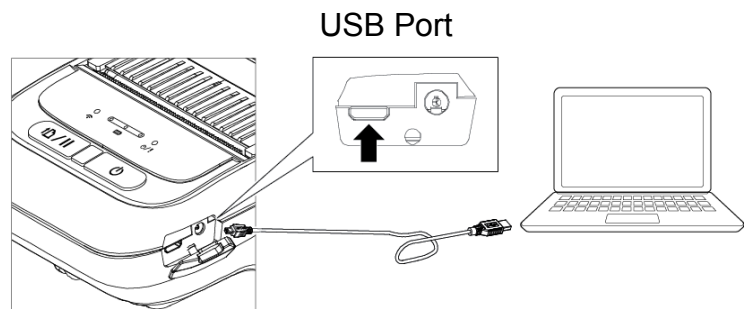
For more information on using BarTender, click **Help**.

3. Click **File > Print** to print the label.

3.6 Connect Your Printer to a Computer

To connect your printer to a computer, use a Micro USB 2.0 cable.

1. Open the Interface Cover.
2. Connect the printer to the computer with the USB cable.



 **Note**

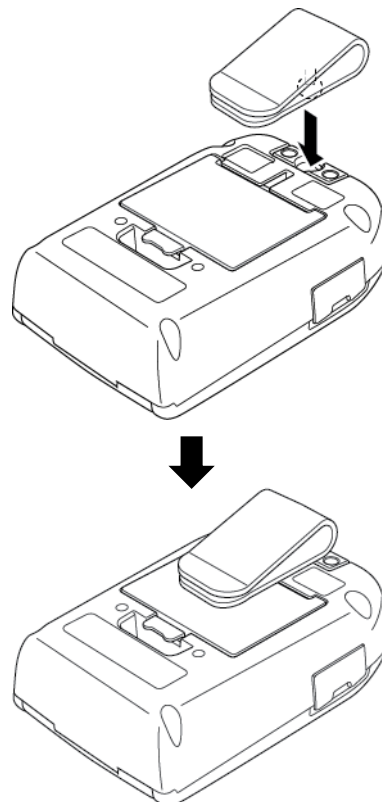
The Micro USB 2.0 cable is not included with the printer and must be purchased separately.

4. Accessories

4.1 Install the Belt Clip

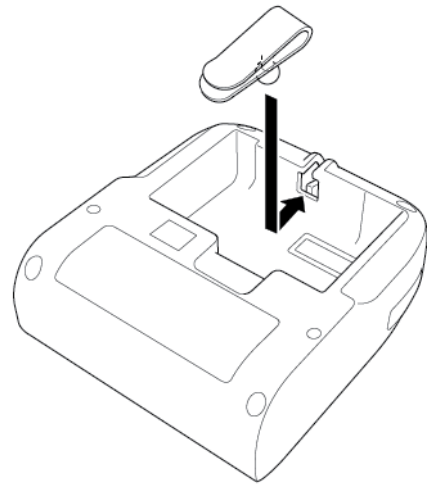
- RJ-2035B/RJ-2055WB

1. Insert the belt clip into the slot on the back of the printer as illustrated.
2. Press the clip down until it locks into place.

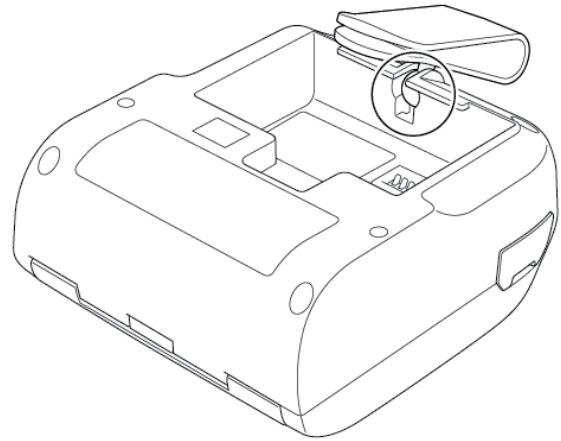


● RJ-3035B/RJ-3055WB

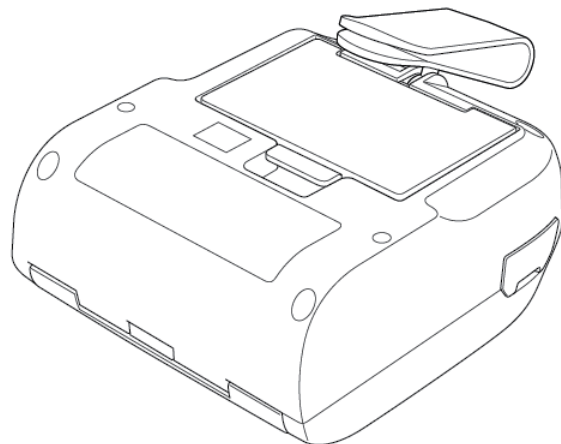
1. Remove the battery from the printer.
2. Insert the Belt Clip into the slot in the Battery Compartment.



3. Press the Belt Clip until it locks into place.



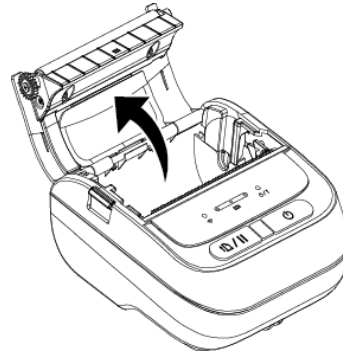
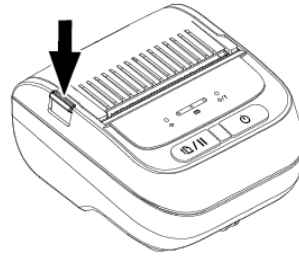
4. Install the battery back into the printer.



4.2 Install the Roll Holder (PA-RH-002) (Optional)

- For RJ-3035B/RJ-3055WB only

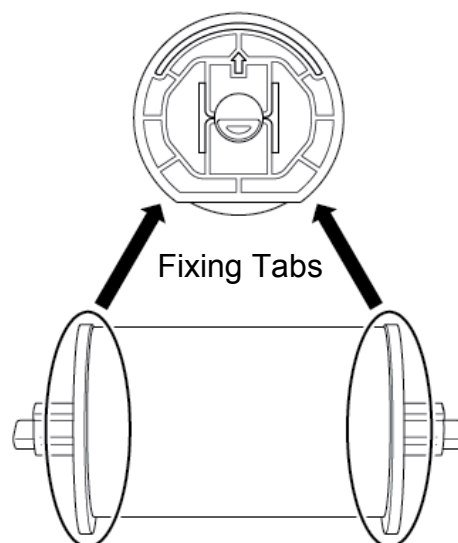
1. Press the Media Compartment Cover Release Tab and lift the Media Compartment Cover.



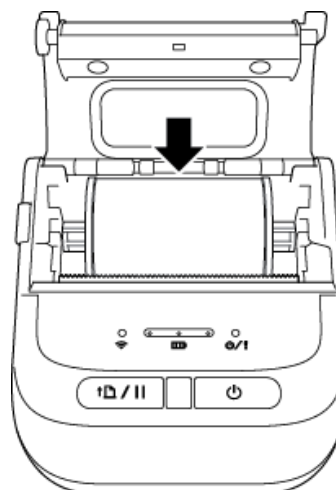
2. Insert the Label Spindle into the paper roll as illustrated.



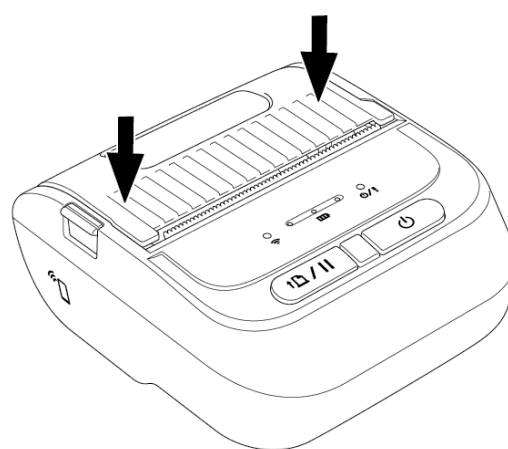
3. Install the Fixing Tabs on both sides of the paper roll.



4. Insert the label roll with the installed Fixing Tabs and Label Roll Spindle into the printer.



5. Press down the Media Compartment Cover on both sides to close it gently, and make sure it has closed correctly.



4.3 Install the Roll Spacer Set (Optional)

- For RJ-2035B/RJ-2055WB: PA-RS-001
- For RJ-3035B/RJ-3055WB: PA-RS-002

 **Note**

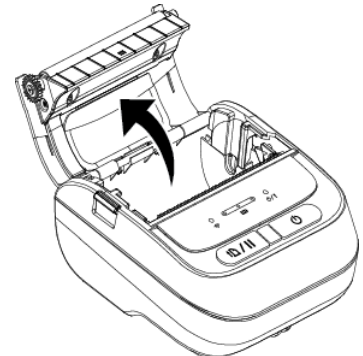
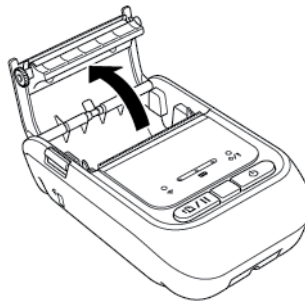
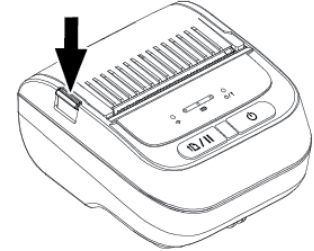
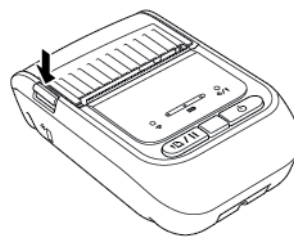
To use a customized media width, install the required number of Roll Spacers in the Media Compartment. Use the same number of Roll Spacers on each side.

Available widths: 1" (25.4 mm), 1.5" (38.1 mm), 2" (50.8 mm), and 2.5" (63.5 mm).

1. Press the Media Compartment Cover Release Tab and lift the Media Compartment Cover.

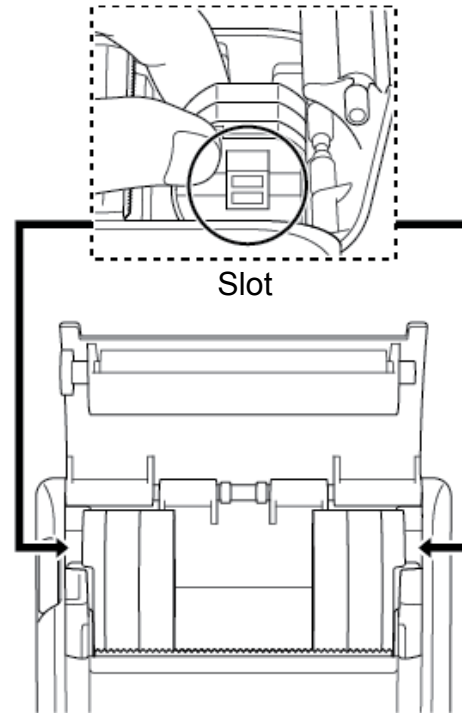
RJ-2035B/RJ-2055WB

RJ-3035B/RJ-3055WB

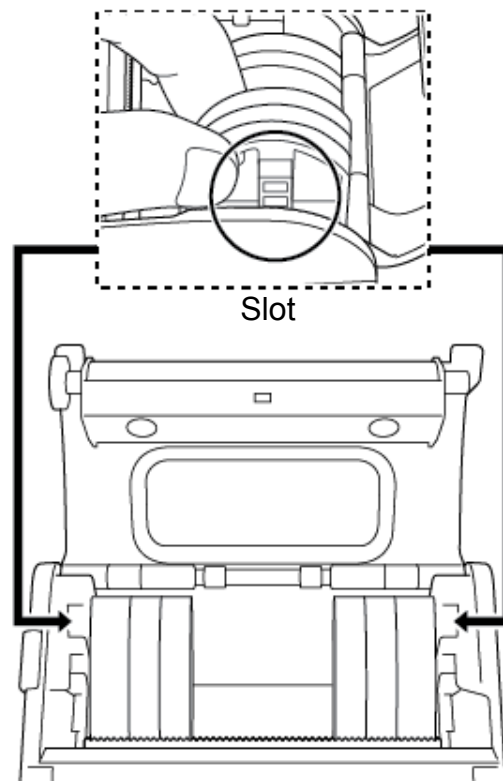


2. Insert the Roll Spacers into the Spindle Slots on both sides of the Media Compartment as illustrated.

RJ-2035B/RJ-2055WB



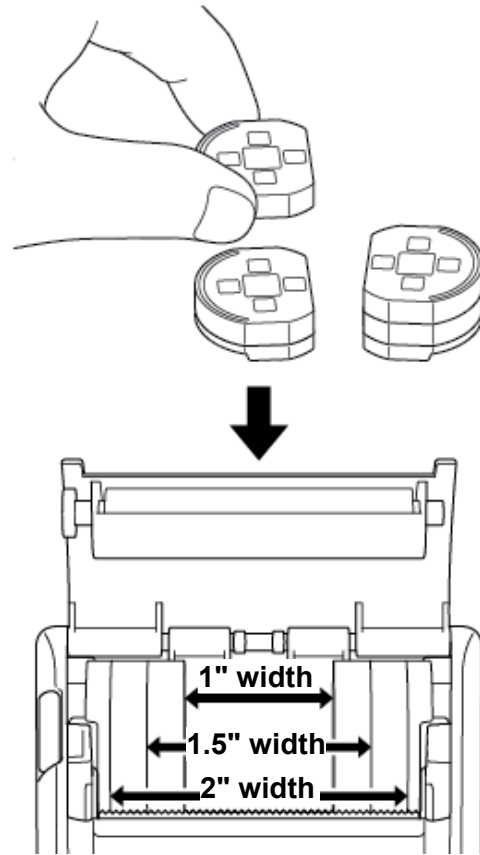
RJ-3035B/RJ-3055WB



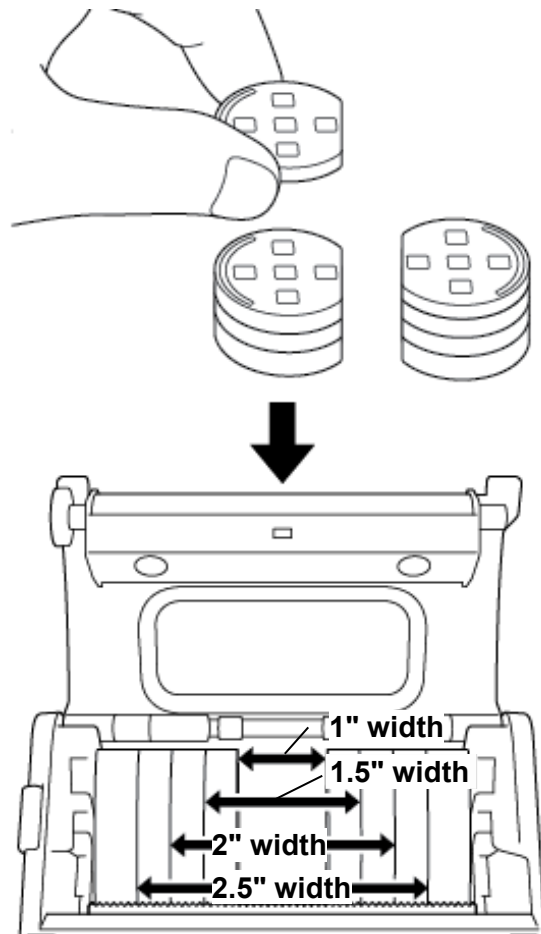
 **Note**

- The media width can be changed from 1" (25.4 mm), 1.5" (38.1 mm), 2" (50.8 mm), to 2.5" (63.5 mm) by attaching or detaching both sides of the Roll Spacers.
- When installing the Roll Spacers, use the same number of Roll Spacers on each side.

RJ-2035B/RJ-2055WB



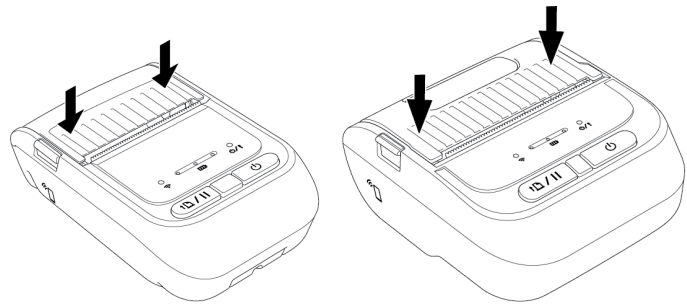
RJ-3035B/RJ-3055WB



3. Press down the Media Compartment Cover on both sides to close it gently, and make sure it has closed correctly.

 **Note**

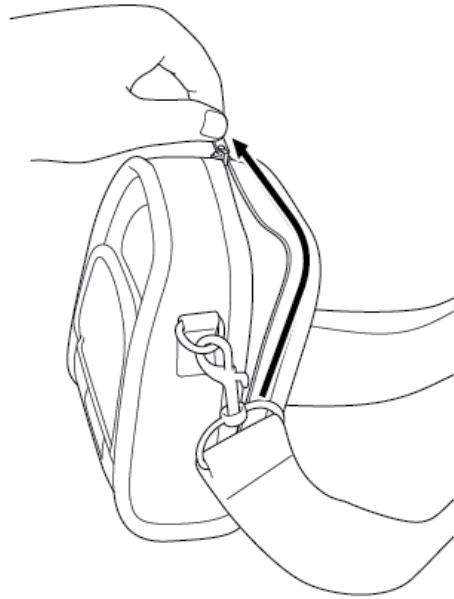
When the Media Compartment Cover is closed correctly, it locks into place and the printer automatically feeds a small amount of the media.



4.4 Use the IP54 Protective Case with Shoulder Strap (Optional)

- For RJ-2035B/RJ-2055WB: PA-CC-002
- For RJ-3035B/RJ-3055WB: PA-CC-003

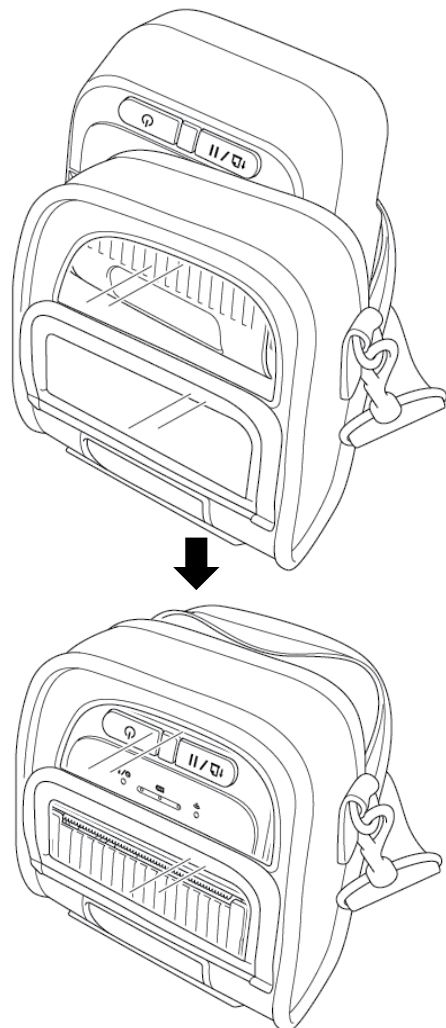
1. Use the zipper to open the case cover.



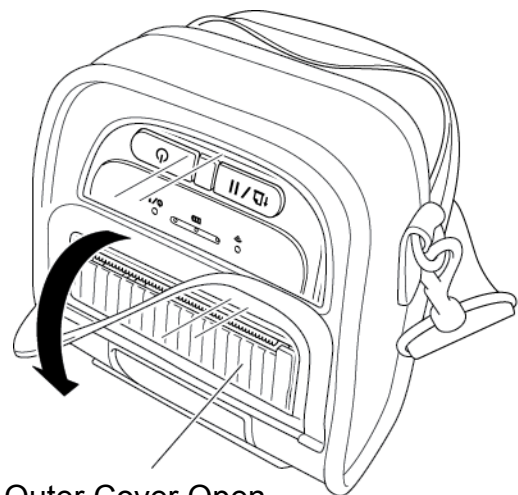
2. Place the printer in the case.

 **Note**

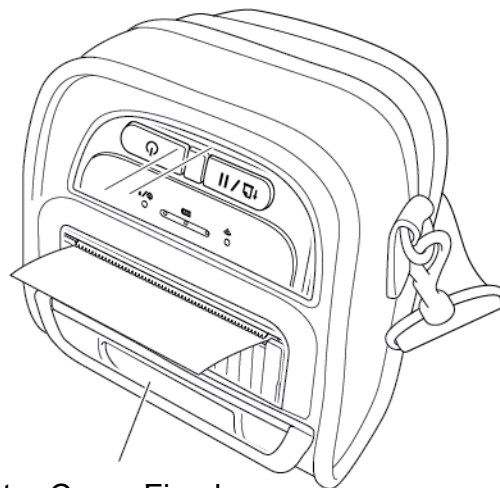
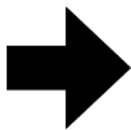
The printing side must face the outside cover as indicated.



3. Zip up the case cover. Make sure the Outer Cover is open and fixed while printing.



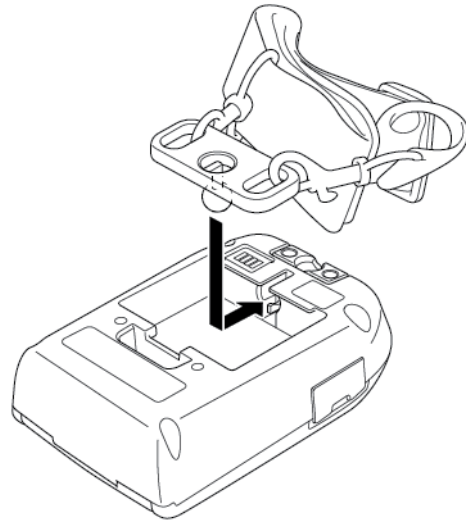
Outer Cover Open



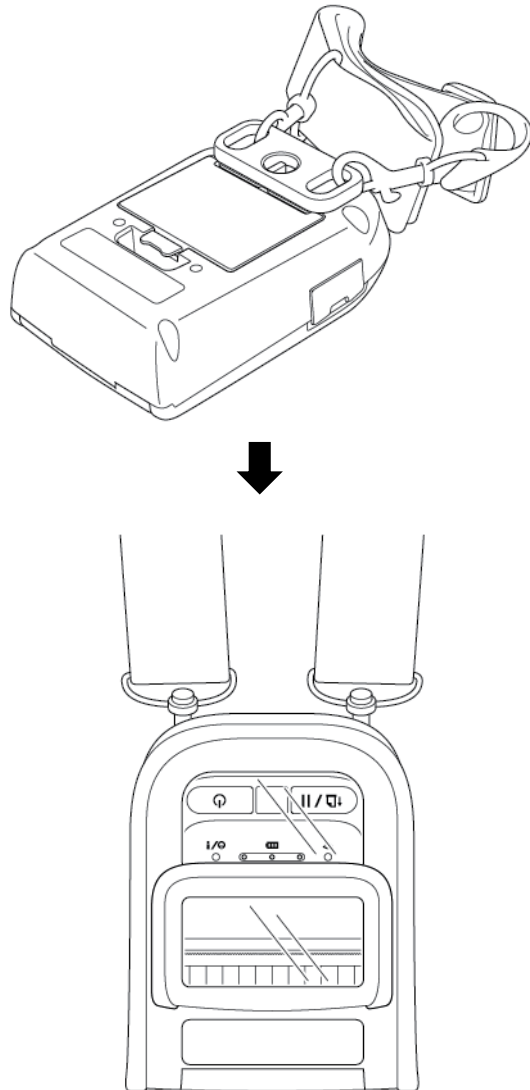
Outer Cover Fixed

4.5 Install the Shoulder Strap with an Adapter (Optional)

1. Remove the battery from the printer.
2. Insert the Shoulder Strap Adapter into the slot in the Battery Compartment.



3. Reinstall the battery in the printer and pull the Battery Release Latch until it locks into place.

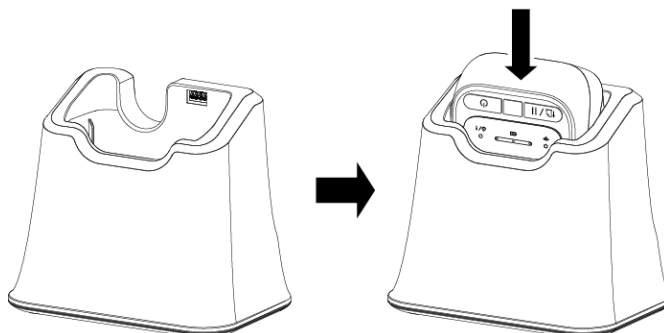


4.6 Using the 1-bay Charging Cradle (Optional)

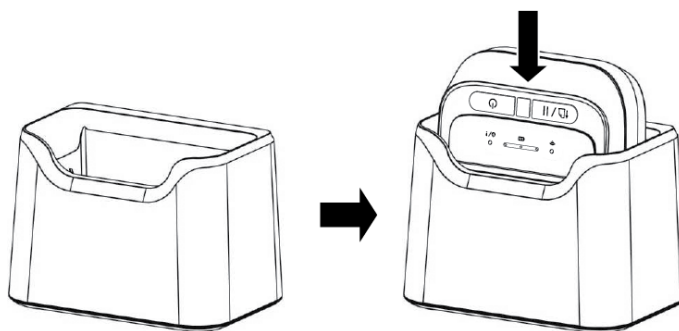
- For RJ-2035B/RJ-2055WB: PA-CR-003
- For RJ-3035B/RJ-3055WB: PA-CR-004

1. Insert the printer into the Charging Cradle, and then gently press the printer down.

RJ-2035B/RJ-2055WB



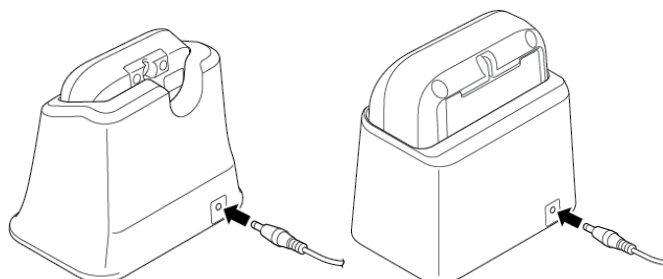
RJ-3035B/RJ-3055WB



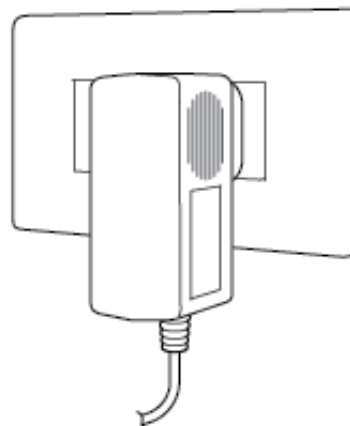
2. Connect the Charging Cradle's power adapter to its Power Port.

RJ-2035B/RJ-2055WB

RJ-2035B/RJ-2055WB

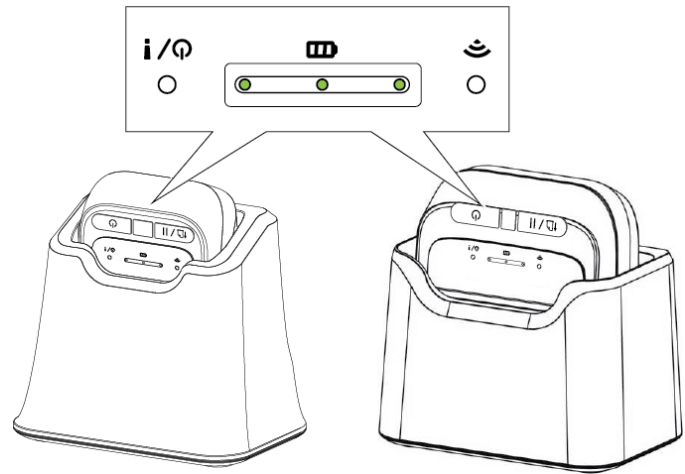


3. Connect the power adapter of the Charging Cradle to a grounded AC outlet (an earthed electrical socket).



4. The charging starts.
When the battery is fully charged, all three Battery Status LEDs are lit in green.

RJ-2035B/RJ-2055WB RJ-3035B/RJ-3055WB

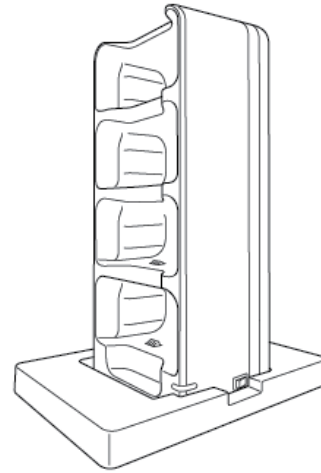


4.7 Using the 4-bay Charging Cradle (Optional)

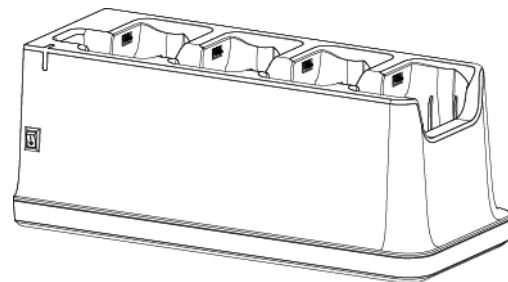
- For RJ-2035B/RJ-2055WB: PA-4CR-001
- For RJ-3035B/RJ-3055WB: PA-4CR-002

1. You can install the 4-bay Charging Cradle either vertically or horizontally.

To install the 4-bay Charging Cradle vertically, use the supplied base support.

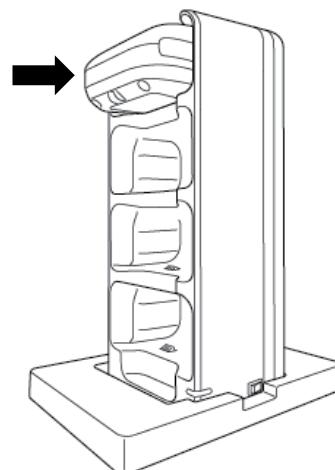


Vertical Installation

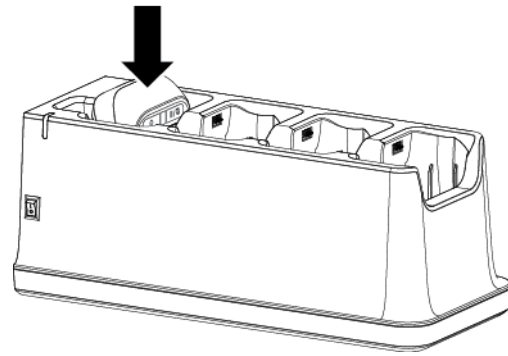


Horizontal Installation

2. Install the printer in the Charging Cradle as illustrated.

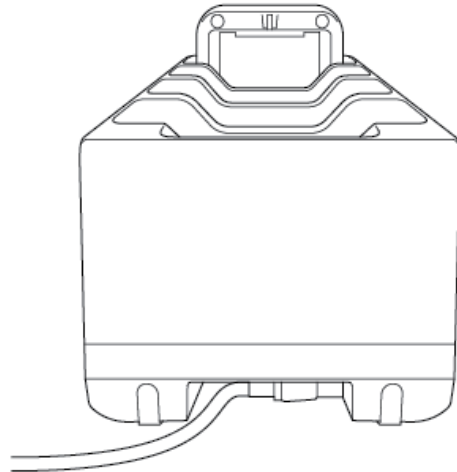


Vertical Installation

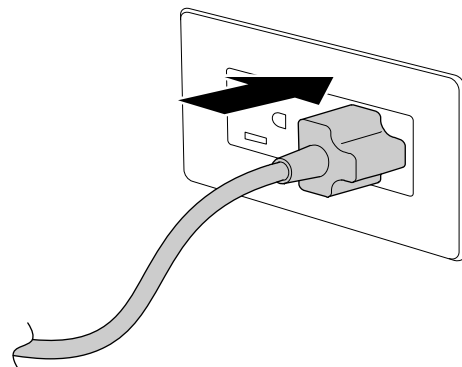


Horizontal Installation

3. Connect the Charging Cradle's power adapter to its Power Port.

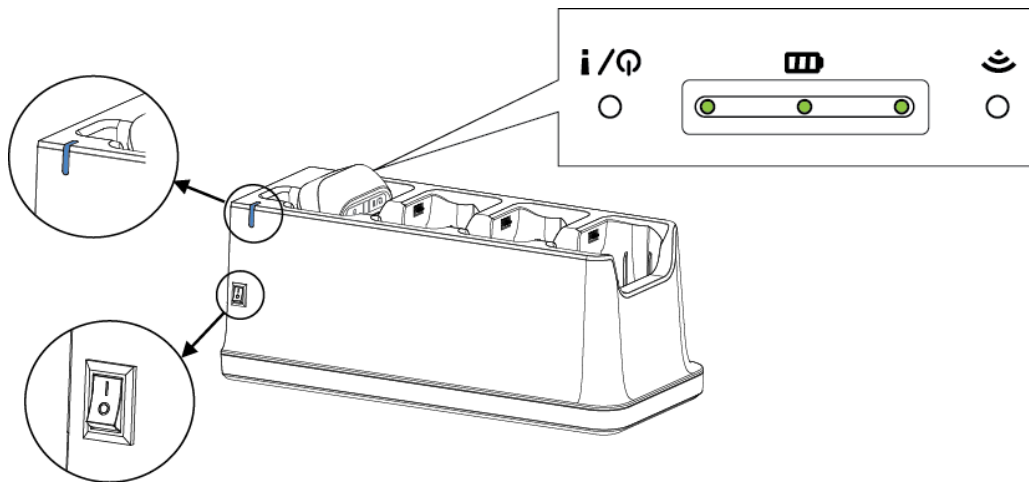


4. Connect the Charging Cradle's power adapter to a grounded AC outlet (an earthed electrical socket).



The plug may differ by country

-
5. Turn on the power switch on the Charging Cradle. The Charging Cradle's LED blinks in blue and the charging starts.
- When the battery is fully charged, all three Battery Status LEDs on the printer are lit in green.



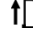

4.8 Rechargeable Lithium-Ion Battery (Optional)



- For RJ-2035B/RJ-2055WB: PA-BT-008 (Standard)
- For RJ-3035B/RJ-3055WB: PA-BT-009 (Standard), PA-BT-010 (Smart Battery)


5. Power-on Utilities


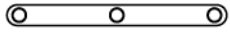





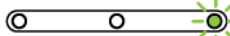




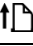










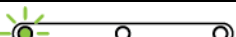



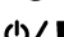


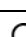

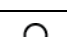


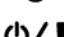
There are three power-on utilities to set up and test the printer's functions.

To activate a power-on utility:

1. Turn off the printer.
2. Press and hold the **Feed/Pause** button ( / ) and then turn on the printer.
3. Release the **Feed/Pause** button when the LEDs indicate the function you want:

 or  : LED Indicator is lit in the color shown

 : LED Indicator is blinking in the color shown

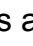

LED Patterns		Power-On Utility		
Function		1. Media sensor calibration	2. Self-test and entering dump mode	3. Printer initialization
LED				
      Orange (Lit)				
      5 times	Release the Feed/Pause button ( / )			
      5 times			Release the Feed/Pause button ( / )	
      5 times				Release the Feed/Pause button ( / )
      Green (Lit)				

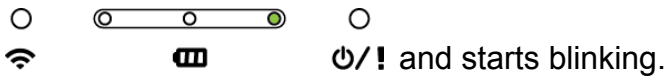
5.1 The Gap/Black Mark Sensors Calibration

The Gap/Black Mark Sensor sensitivity should be calibrated when:

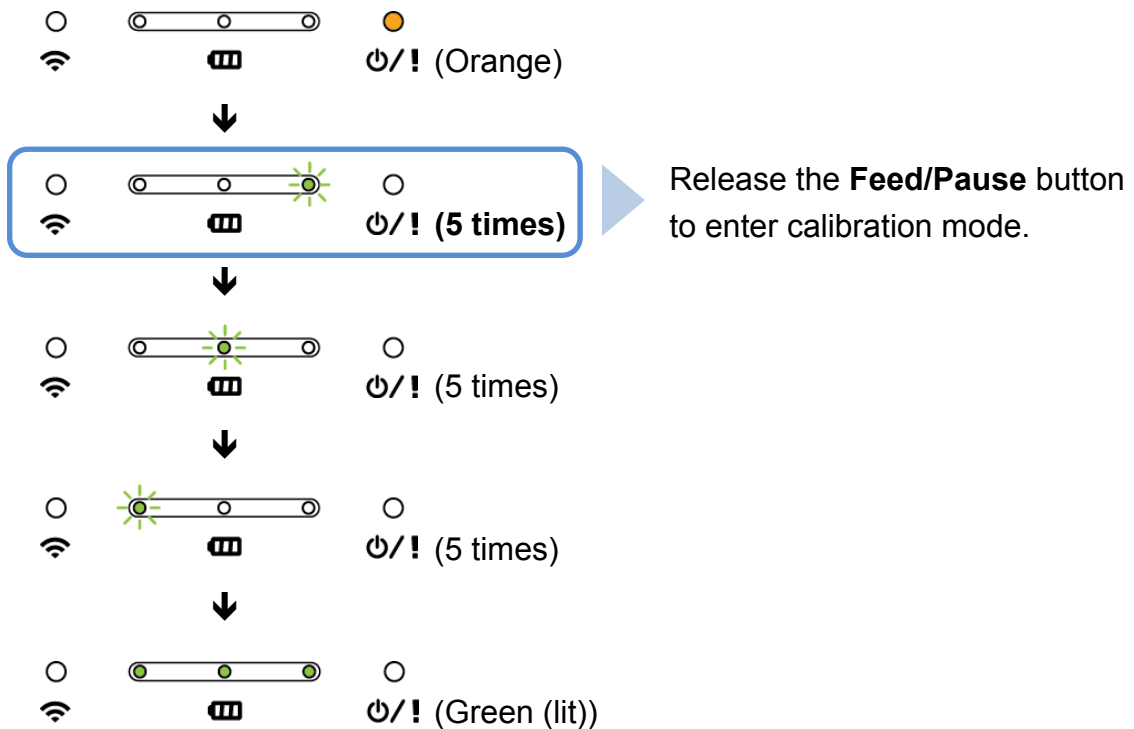
- A new printer is purchased
- Label media is changed

To calibrate the Gap/Black Mark Sensor:

1. Turn off the printer.
2. Press and hold the **Feed/Pause** button ( / ) and then turn on the printer.
3. Release the **Feed/Pause** button when the printer's Status LED changes to



- The LEDs will change as follows:


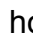


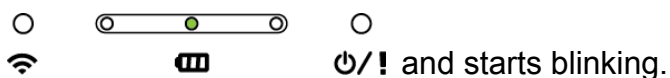
After calibration is complete, you can resume printing.

5.2 Self-test and Dump Mode

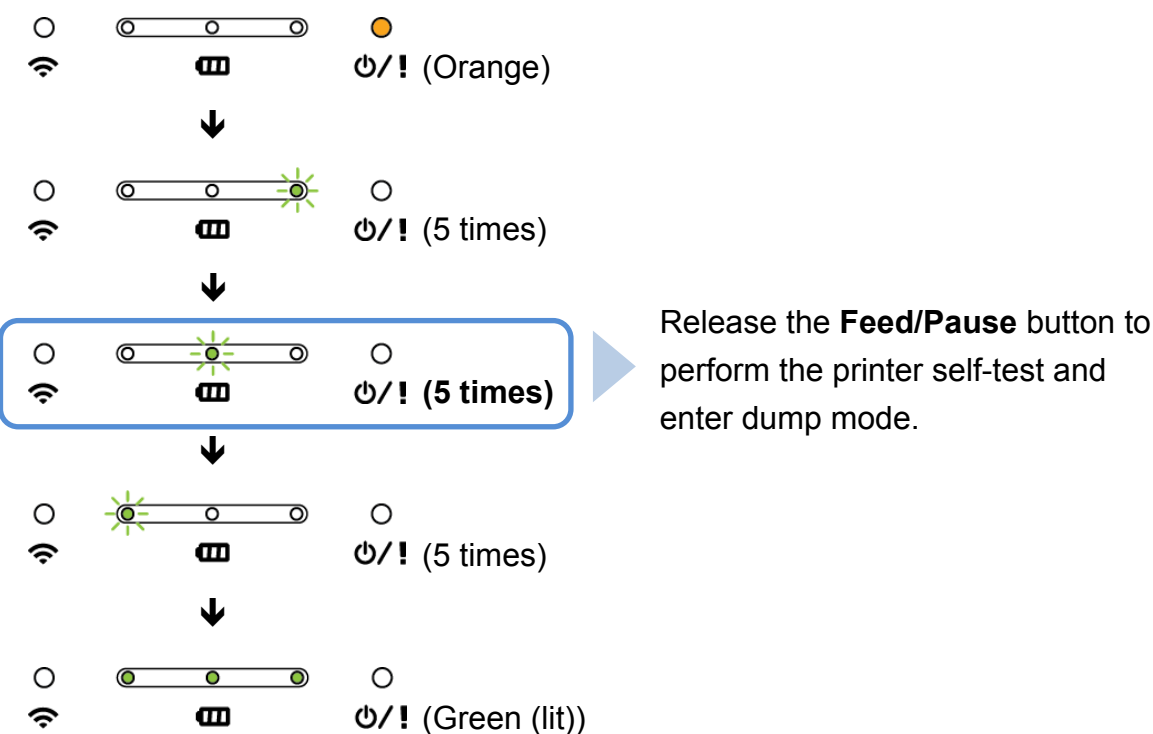
The printer calibrates the sensor, detects the media length, prints internal settings, and then enters the dump mode.

To perform the printer self-test and enter dump mode:

1. Turn off the printer.
2. Press and hold the **Feed/Pause** button ( / ) and then turn on the printer.
3. Release the **Feed/Pause** button when the printer's Status LED changes to



■ The LEDs will change as follows:




To resume printing, turn the printer off and then on again.

The self-test information is printed automatically.

■ Self-test

You can print the printer configuration after the media sensor calibration. The self-test printout lists the printer's configuration and available memory space, and can indicate whether there is any dot damage on the heater component.

Self-test Printout	
<pre> ----- SYSTEM INFORMATION ----- MODEL: XXXXXX FIRMWARE: X.XX CHECKSUM: XXXXXXXX S/N: XXXXXXXXXXXX TCF: NO DATE: 1970/01/01 TIME: 00:04:18 NON-RESET: 110 m (TPH) RESET: 110 m (TPH) NON-RESET: 0 (CUT) RESET: 0 (CUT) ----- </pre>	<p>Model name</p> <p>Firmware version</p> <p>Firmware checksum</p> <p>Printer serial number</p> <p>Configuration file</p> <p>System date</p> <p>System time</p> <p>Printed mileage (meter)</p> <p>Cutting counter</p>
<pre> ----- PRINTING SETTING ----- SPEED: 5 IPS DENSITY: 8.0 WIDTH: 4.00 INCH HEIGHT: 4.00 INCH GAP: 0.00 INCH INTENSION: 5 CODEPAGE: 850 COUNTRY: 001 ----- </pre>	<p>Print speed (inch/sec)</p> <p>Print density</p> <p>Label size (inch)</p> <p>Gap distance (inch)</p> <p>Gap/black mark sensor sensitivity</p> <p>Code page</p> <p>Country code</p>
<pre> ----- Z SETTING ----- DARKNESS: 16.0 SPEED: 4 IPS WIDTH: 4.00 INCH TILDE: 7EH (~) CARET: 5EH (^) DELIMITER: 2CH (,) POWER UP: NO MOTION HEAD CLOSE: NO MOTION ----- </pre>	<p>ZPL setting information</p> <p>Print darkness</p> <p>Print speed (inch/sec)</p> <p>Label size</p> <p>Control prefix</p> <p>Format prefix</p> <p>Delimiter prefix</p> <p>Printer power up motion</p> <p>Printer Head close motion</p> <hr/> <p> Note</p> <p>ZPL is emulation for Zebra® language.</p> <hr/>

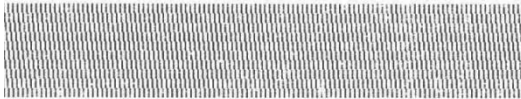
Self-test Printout

```
-----  
BT SETTING  
-----  
MAC ADDR: 000CBF12170F  
NAME: RF-BHS  
PIN CODE: 0000  
PRINTER NAME: PS-12170F  
PAIR MODE: LEGACY  
MFI SUPPORTED: YES  
-----
```

Bluetooth settings

```
-----  
DRAM FILE (0 FILES)  
-----  
PHYSICAL XXXX KBYTES  
AVAILABLE XXXX KBYTES  
-----  
FLASH FILE (0 FILES)  
-----  
PHYSICAL XXXX KBYTES  
AVAILABLE XXXX KBYTES  
-----
```

Total number of downloaded files and available memory space.



Print Head check pattern

■ Dump mode

The printer will enter dump mode after printing the printer configuration. This mode allows users to verify and debug the printer's programs. The characters in the left column are received from the printer's system and those in the right column are their hexadecimal representation.

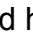

ASCII data	→	<pre> SPEED 2.0 53 50 45 45 44 20 32 2E 30 0D DENSITY 8 0A 44 45 4E 53 49 54 59 20 38 SET PEEL 0D 0A 53 45 54 20 50 45 45 4C OFF DIRE 20 4F 46 46 0D 0A 44 49 52 45 CTION 0 0 43 54 49 4F 4E 20 30 0D 0A 47 AP 3.00 mm 41 50 20 33 2E 30 30 20 6D 6D .0.00 mm 2C 30 2E 30 30 20 6D 0D 0A REFERENCE 52 45 46 45 52 45 4E 43 45 20 0.0 SET C 30 2C 30 0D 0A 53 45 54 20 43 UTTER OFF 55 54 54 45 52 20 4F 46 46 0E SIZE 100. 0A 53 49 5A 45 20 31 30 30 2E 02 mm.65.0 30 32 20 6D 6D 2C 36 35 2E 30 4 mm CLS 34 20 6D 6D 0D 0A 43 4C 53 0D BARCODE 1 9A 42 41 52 43 4F 44 45 20 31 44.149."39 34 34 2C 31 34 39 2C 22 33 39 ".120.1.0. 22 2C 31 32 30 2C 31 2C 30 2C 2.6."57114 32 2C 36 2C 22 35 37 31 31 34 3BT" PRIN 33 38 54 22 0D 0A 50 52 49 4E T 1.1 SPE 54 20 31 2C 31 0D 0A 53 50 45 ED 2.0 DE 45 44 20 32 2E 30 0D 0A 44 45 NSITY 8 S 4E 53 49 54 59 20 38 0D 0A 53 ET PEEL OF 45 54 20 50 45 45 4C 20 4F 46 F DIRECTI 46 0D 0A 44 49 52 45 43 54 49 ON 0 GAP 4F 4E 20 30 0D 0A 47 41 50 20 3.00 mm.0. 33 2E 30 30 20 6D 6D 2C 30 2E 00 mm REF 30 30 20 6D 6D 0D 0A 52 45 46 ERENCE 0.0 45 52 45 4E 43 45 20 30 2C 30 SET CUTT 0D 0A 53 45 54 20 43 55 54 54 ER OFF SI 45 52 20 4F 46 46 0D 0A 53 49 ZE 100.02 5A 45 20 31 30 30 2E 30 32 20 mm.65.04 m 6D 6D 2C 36 35 2E 30 34 20 6D m CLS BA 6D 0D 0A 43 4C 53 0D 0A 42 41 RCODE 144. 52 43 4F 44 45 20 31 34 34 2C 149."39".1 31 34 39 2C 22 33 39 22 2C 31 20.1.0.2.0 32 30 2C 31 2C 30 2C 32 2C 36 ".571143BT 2C 22 35 37 31 31 34 33 38 54 ". PRINT 1 22 0D 0A 50 52 49 4E 54 20 31 .1 2C 31 0D 0A </pre>	←	Hexadecimal representation of the ASCII data
------------	---	--	---	---

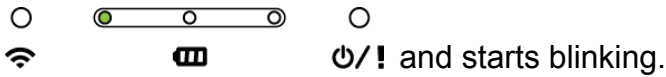
Note

- Dump mode requires 2" (50.8 mm) wide paper.
 - To resume printing, turn the printer off and then on again.
-

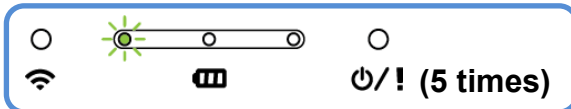
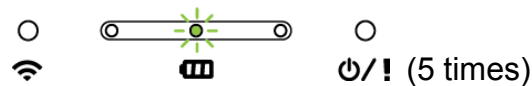
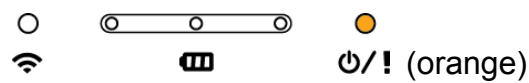
5.3 Printer Initialization

Printer initialization clears the printer's DRAM and restores its factory settings. To activate printer initialization:

1. Turn off the printer.
2. Press and hold the **Feed/Pause** button ( / ) and then turn on the printer.
3. Release the **Feed/Pause** button when the printer's Status LED changes to



■ The LEDs will change in the following order:



▶ Release the **Feed/Pause** button to activate printer initialization.



To resume printing, turn the printer off and then on again.

After the initialization, the following factory settings will be restored:

Parameter	Default Setting
Speed	76.2 mm/s (3 ips)
Density	8
Media Width	RJ-2035B/RJ-2055WB: 1.89" (48 mm) RJ-3035B/RJ-3055WB: 2.84" (72 mm)
Media Height	RJ-2035B/RJ-2055WB: 2" (50.8 mm) RJ-3035B/RJ-3055WB: 4" (101.5 mm)
Print Direction	0

Parameter	Default Setting
Reference Point	0,0 (upper left corner)
Offset	0
Code Page	850
Clear Flash Memory	No
IP Address	DHCP

6. BPM (Brother Printer Management Tool)

The Brother Printer Management Tool (BPM) is an integrated tool allowing you to:

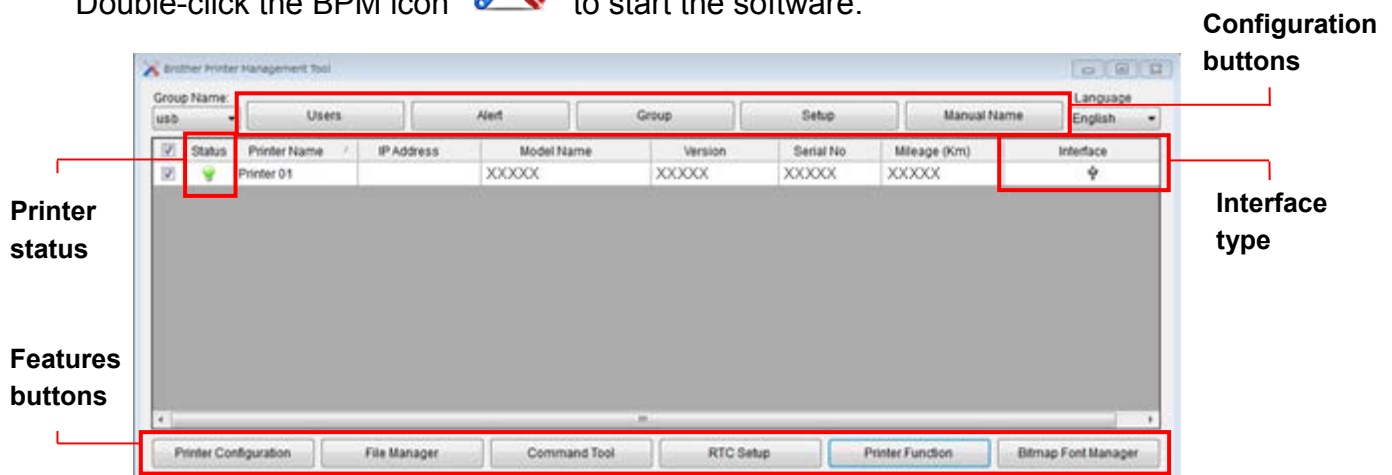
- Check a printer's status and settings.
- Change printer settings.
- Send additional commands to a printer.
- Download graphics and fonts.
- Create a printer bitmap font.
- Download and update firmware.
- Configure Wireless LAN (Wi-Fi) and Bluetooth settings.

Using this tool, you can also review your printer's status and settings to troubleshoot any problems.

6.1 Start the BPM

The BPM does not support the Bluetooth connection. We recommend connecting your printer to the computer using either the USB or Wi-Fi connection.

Double-click the BPM icon  to start the software.



The BPM interface is common to the RJ-2035B/2055WB/3035B/3055WB models.

The battery information is shown only for the RJ-3035B/3055WB models using smart battery.

The BPM's main screen allows you to access the following options:

- Printer Configuration
- File Manager
- Command Tool
- RTC Setup
- Printer Function
- Bitmap Font Manager

For more information, see *Brother Printer Management Tool Quick Start Guide*.

6.2 Calibrating the Media Sensor using the BPM

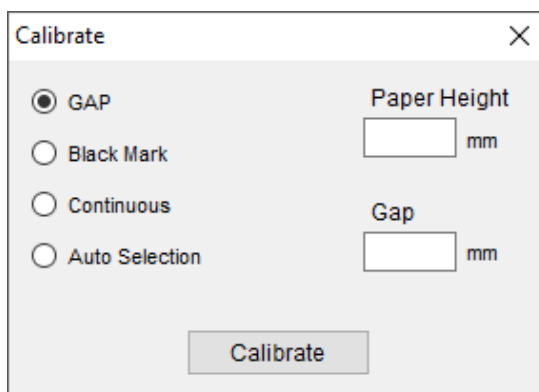
Use the BPM to set the media sensor type (Gap Sensor or Black Mark Sensor) and calibrate the selected sensor.

The Gap Sensor or Black Mark Sensor can:

- Detect the beginning of the label and feed the label to the correct position.
- Detect the mark and feed the media to the correct position.

For more information about the position of each sensor, see [section 2.2.2 Interior View](#).

1. Make sure the media is already installed and the Print Head is closed.
(See [section 3.3 Loading the Media](#).)
2. Turn on the printer.
3. Start the BPM.
4. Click the **Printer Function** button.
5. Click the **Calibrate** button.
6. Select the sensor media type and click **Calibrate**.



Calibrate

GAP Paper Height

Black Mark mm


Continuous Gap

Auto Selection mm

Calibrate

7. Product Specifications

7.1 General Specifications

General Specifications		RJ-2035B/RJ-2055WB	RJ-3035B/RJ-3055WB
Dimensions		3.11" (79 mm) (W) × 4.57" (116 mm) (H) × 1.44" (36.5 mm) (D)	4.13" (105 mm) (W) × 4.57" (116 mm) (H) × 1.95" (49.5 mm) (D)
Enclosure		Plastic	
Weight (incl. battery)		0.215 kg (0.47 lb)	0.375 kg (0.83 lb)
Electrical	Car Adapter (Cigarette Socket Type)	Input: DC 12 V - 24 V, 2.3 A Output: DC 12 V / 1.5 A	
	AC Adapter	Input: AC 100 V - 240 V, 0.35 A, 50 Hz - 60 Hz Output: DC 12 V / 1 A	
	Charging Cradle	Input: 12 V / 1 A Output: 12 V / 0.9 A	
	4-bay Charging Cradle	Input: 12 V / 5 A Output: 12 V / 0.9 A × 4	
	Battery Charger	-	Input: 12 V / 2 A Output: 8.4 V / 1.0 A
	4-bay Battery Charger	Input: 12 V / 5 A Output: 8.4 V / 0.7 A × 4	Input: 24 V / 2.5 A Output: 8.4 V / 1.0 A × 4
	 Note The printer turns off automatically after 30 minutes of inactivity.		
Battery	Output	7.4 V	7.4 V
	Capacity	1,130 mAh	3,080 mAh
	Charging Time	<2.5 h (by 12 V / 1 A charger)	3.5 h - 4 h (by 12 V / 1 A charger)

Smart Battery (RJ-3035B/RJ-3055WB only)	Output	-	7.4 V
	Capacity	-	3,030 mAh
	Charging Time	-	<3.5 h (by 12 V / 1 A charger)

Environmental Conditions	RJ-2035B/RJ-2055WB	RJ-3035B/RJ-3055WB
Operating Temperature	-15°C - 50°C (5°F - 122°F) ¹	
Storage Temperature	-30°C - 70°C (-22°F - 158°F)	
Relative Humidity	Operation / Storage: 10% to 90% non-condensing	

¹ For RJ-2035B/RJ-2055WB:

Average operating time is 8.6 h at:

- ips: 4
- Density: 8
- Print coverage: 12.5%
- Print time: 2 min
- Label quantity: 1
- Connection: Bluetooth

For RJ-3035B/RJ-3055WB:

Average operating time is 38.2 h at:

- ips: 4
- Density: 8
- Print coverage: 12.5%
- Print time: 2 min
- Label quantity: 1
- Connection: Bluetooth

IP Rating	RJ-2035B/RJ-2055WB	RJ-3035B/RJ-3055WB
IP42 (not including the protective case)	●	●
IP54 (including the protective case)	●	●

7.2 Print Specifications

Print Specifications	RJ-2035B/RJ-2055WB	RJ-3035B/RJ-3055WB
Print Head Resolution	203 dots/inch (8 dots/mm)	
Printing Method	Direct thermal	
Dot Size (Width × Length)	0.125 mm × 0.125 mm (1 mm = 8 dots)	
Print Speed (mm per second)	Maximum 4 ips (102 mm/s)	
Maximum Print Width	1.89" (48 mm)	2.83" (72 mm)
Maximum Print Length	Continuous receipt paper: 110" (2,794 mm)	
Printout Bias	Vertical: Maximum 1 mm Horizontal: Maximum 1 mm	

7.3 Media Specifications

Media Specifications	RJ-2035B/RJ-2055WB	RJ-3035B/RJ-3055WB
Media Roll Capacity	Maximum Outer Dimension: 1.18" (30 mm)	Maximum Outer Dimension: 1.57" (40 mm)
Media Type	<ul style="list-style-type: none"> ● Receipt paper ● Black mark receipt paper (mark on the printing side) ● Linerless (Optional) 	Black mark sensor model: <ul style="list-style-type: none"> ● Receipt paper ● Black mark receipt paper (mark on the printing side) ● Linerless (Optional)
		Gap sensor model: <ul style="list-style-type: none"> ● Receipt paper ● Black mark receipt paper (mark on the printing side (default setting) or on the other side) ● Label with gap ● Linerless (Optional)
Media Winding Type	Outside wound	
Media Length	1" (25.4 mm) - 110" (2,794 mm)	
	Tear mode: 1.97" (50 mm) - maximum print length	
Media Width	Maximum 2.28" (58 mm) (including a liner)	Maximum 3.15" (80 mm) (including a liner)
	Black mark: Minimum 0.31" (8 mm) (W) × 0.08" (2 mm) (H)	
	-	Gap: Minimum 0.31" (8 mm) (W) × 0.08" (2 mm) (H)
	-	With Roll Holder: 0.79" (20 mm) - 2.75" (70 mm)
Media Thickness	2 mil (0.06 mm) - 3.94 mil (0.10 mm)	2 mil (0.06 mm) - 6 mil (0.16 mm)

 **Note**

Set the black mark on the printing side when using black mark receipt media.

8. Troubleshooting

This chapter explains how to resolve typical problems you may encounter when using the printer. If you have any problems with the printer, first make sure you have performed the following tasks correctly.

If you still have problems, contact the product manufacturer's customer service or your local dealer.

Problem	Possible Cause	Solution
The LED Indicator is not lit.	<ul style="list-style-type: none"> •The battery is not installed correctly. •The battery's metal contact pins are dirty. •The battery has finished. 	<ul style="list-style-type: none"> •Clean the battery metal contacts. •Reinstall the battery. •Turn the printer on. •Charge the battery.
The Brother Printer Management Tool shows " Head Open ".	The Media Compartment Cover is open.	[RJ-2035B/RJ-2055WB] <ul style="list-style-type: none"> •Close the Media Compartment Cover. [RJ-3035B/RJ-3055WB] <ul style="list-style-type: none"> •Close the Media Compartment Cover.
The Brother Printer Management Tool shows " Out of Paper ".	<ul style="list-style-type: none"> •The media roll has finished. •The media roll is installed incorrectly. •The Black Mark/Gap Sensor is not calibrated. 	<ul style="list-style-type: none"> •Install a new media roll. •To install a new media roll, see section 3.3 Loading the Media. •Calibrate the Black Mark Sensor. [RJ-3035B/RJ-3055WB only] <ul style="list-style-type: none"> •Calibrate the Gap Sensor.
The Brother Printer Management Tool shows " Paper Jam ".	<ul style="list-style-type: none"> •Media may be jammed inside the Print Head. •The Gap/Black Mark Sensor is not calibrated. •Make sure the media size is set correctly. 	<ul style="list-style-type: none"> •Calibrate the Gap/Black Mark Sensor. •Set the media size correctly. •Clean the Print Head.
Memory full (Flash / DRAM)	The printer's FLASH/DRAM storage is full.	Delete unused files from the FLASH/DRAM memory from the BPM tool.
Poor Print Quality	<ul style="list-style-type: none"> •The media is loaded incorrectly. •Dust or adhesive has accumulated on the Print Head. •The print density is set incorrectly. •The Print Head is damaged. 	<ul style="list-style-type: none"> •Make sure that both the right and left sides of the Media Compartment Cover are fully closed. •Clean the Print Head. •Clean the Platen Roller. •Adjust the print density and print speed. •Run the printer self-test and check the Print Head test pattern for missing dots. •Install the correct media.
Incomplete printing on the left or right side of media.	The media size is set up incorrectly.	Set the correct media size.

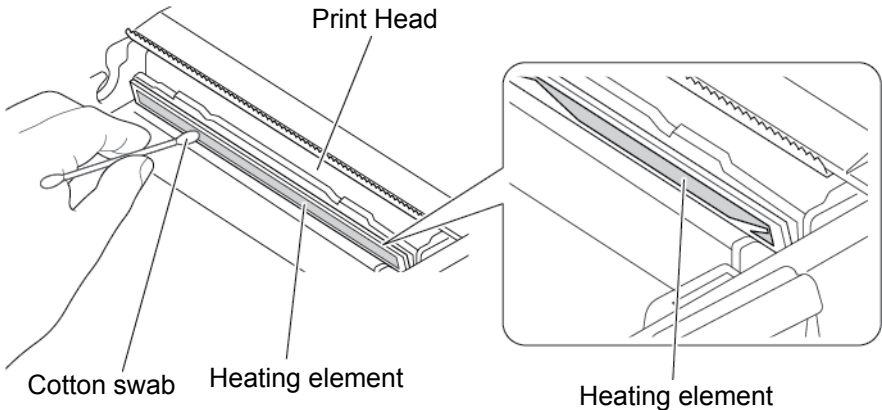
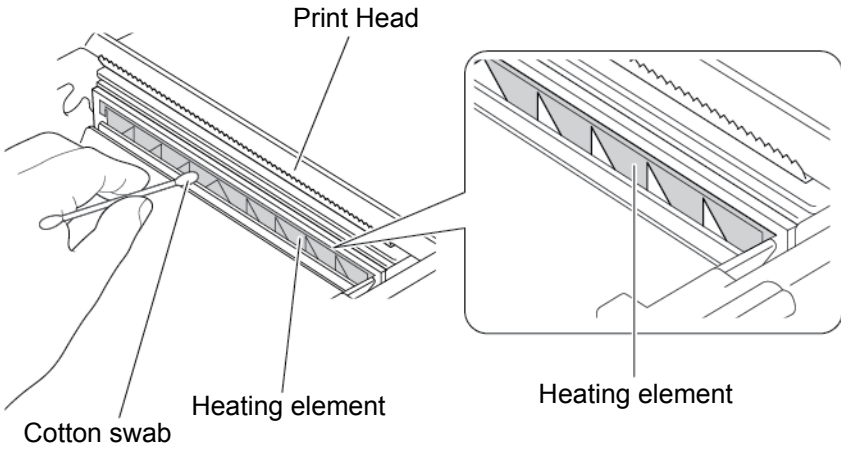
Problem	Possible Cause	Solution
Blank labels with gray lines.	<ul style="list-style-type: none"> • The Print Head is dirty. • The Platen Roller is dirty. 	<ul style="list-style-type: none"> • Clean the Print Head. • Clean the Platen Roller.
Irregular printing	The printer is in Hex Dump mode.	Turn the printer on and off to skip the dump mode. (See section 5.2 Self-test and Dump Mode).

9. Maintenance

We recommend cleaning your printer on a regular basis to maintain its correct performance.

Recommended cleaning materials:

- Cotton swab
- Lint-free cloth
- Vacuum / blower brush
- Compressed air
- Isopropyl alcohol or ethanol

Printer Part	Cleaning Method	Interval
Print Head	<ol style="list-style-type: none"> 1. Turn the printer off. 2. Allow the Print Head to cool down for at least one minute. 3. Wipe the Print Head with a cotton swab dipped in isopropyl alcohol or ethanol. 	Clean the Print Head when changing a new label roll.
	<div style="text-align: center;"> <p>[RJ-2035B/RJ-2055WB]</p>  </div> <div style="text-align: center; margin-top: 20px;"> <p>[RJ-3035B/RJ-3055WB]</p>  </div>	

Printer Part	Cleaning Method	Interval
Platen Roller	1. Turn the power off. 2. Rotate the Platen Roller and wipe it thoroughly with a lint-free cloth or cotton swab dipped in isopropyl alcohol or ethanol.	Clean the Platen Roller when changing a new label roll.
Tear Bar/Peel Bar	Wipe it with a lint-free cloth dipped in isopropyl alcohol or ethanol.	As needed
Sensor	Use compressed air or vacuum.	Monthly
Exterior	Wipe the printer exterior with a lint-free cloth dipped in water.	As needed
Interior	Use a brush or vacuum.	As needed

 **Note**

- Do not touch the Print Head. If you have touched it, clean it as described above.
 - Do not use medical alcohol as it may damage the Print Head. Use isopropyl alcohol or ethanol according to the manufacturer's safety guidelines, as applicable.
 - When replacing the media, we recommend cleaning the Print Head.
-

brother