



**GP-4000 GP-2000 GP-540 GP-520**  
**Online Manual**

# Contents

Using This Online Manual. . . . .	19
Trademarks and Licenses. . . . .	20
<b>Basic Operation. . . . .</b>	<b>39</b>
Printer Parts. . . . .	40
Printer Parts. . . . .	41
Front. . . . .	42
Back. . . . .	44
Top Cover (Inside). . . . .	46
Carriage. . . . .	47
Ink Tank Cover (Inside). . . . .	48
Operation Panel. . . . .	49
Optional accessories. . . . .	51
Stand. . . . .	52
Stand Parts. . . . .	53
Roll Unit. . . . .	55
Parts of the Roll Unit. . . . .	56
Roll Holder Set. . . . .	58
Printing procedure. . . . .	59
Turning the Printer On and Off. . . . .	60
Loading and Printing on Rolls. . . . .	63
Loading and Printing on Sheets. . . . .	65
Printing in Windows. . . . .	67
Printing from macOS. . . . .	69
Canceling print jobs. . . . .	70
Canceling Print Jobs from the Control Panel. . . . .	71
Canceling Print Jobs from Windows. . . . .	72
Canceling Print Jobs from macOS. . . . .	74
Pausing Printing. . . . .	75
Pausing Printing. . . . .	76
<b>Handling and Use of Paper. . . . .</b>	<b>77</b>
Paper. . . . .	79

Types of Paper. . . . .	80
Paper Sizes. . . . .	81
Using Paper Other Than Genuine Paper and feed confirmed Paper. . . . .	83
Printing on Paper Other Than Genuine Paper and feed confirmed Paper Using Existing Settings. . . . .	84
Printing on Paper Other Than Genuine Paper and feed confirmed Paper by Adding a Media Type. . . . .	85
Updating paper information. . . . .	86
<b>Handling rolls. . . . .</b>	<b>87</b>
Loading Rolls on the Roll Holder. . . . .	88
Loading the Upper Roll on the Printer. . . . .	91
Loading the Lower Roll on the Roll Unit (Option). . . . .	97
Changing the Type of Paper. . . . .	104
Specifying the Paper Length. . . . .	108
Removing the Upper Roll from the Printer. . . . .	111
Removing the Lower Roll from the Roll Unit (Option). . . . .	114
Removing Rolls From the Roll Holder. . . . .	117
Feeding Roll Paper Manually. . . . .	119
Keeping Track of the Amount of Roll Paper Left. . . . .	120
Specifying the Amount of Extension for Borderless Printing. . . . .	123
Specifying the Ink Drying Time. . . . .	126
Specifying the Cutting Method for Rolls. . . . .	128
Cutting the Leading Edge of Roll Paper Automatically. . . . .	135
Reducing Dust from Cutting Rolls. . . . .	137
Automatically Switch Rolls. . . . .	139
<b>Handling sheets. . . . .</b>	<b>140</b>
Loading Sheets in the Printer. . . . .	141
Printing From a Desired Starting Point. . . . .	146
Removing Sheets. . . . .	150
<b>Basket. . . . .</b>	<b>152</b>
Using the Basket. . . . .	153
Example Basket Configurations. . . . .	158
Storing the Basket. . . . .	162
<b>Roll Unit. . . . .</b>	<b>164</b>
Switching Roll Unit Modes. . . . .	165
Using the Roll Unit In Take-Up Mode. . . . .	167

Removing Printed Paper from the Roll Unit. ....	177
<b>Changing Printer's Setting. ....</b>	<b>180</b>
<b>Changing Settings from Operation Panel. ....</b>	<b>181</b>
Home Screen Menu Composition. ....	182
Menu Structure. ....	186
Advanced (Paper settings). ....	207
Advanced (LAN settings). ....	209
Setting Items on Operation Panel. ....	212
Maintenance. ....	214
Job management. ....	216
LAN settings. ....	217
Test print. ....	226
Print settings. ....	227
Web service setup. ....	229
Paper-related settings. ....	230
Auto maintenance settings. ....	234
Hard disk settings. ....	235
Monitoring service settings. ....	237
Other printer settings. ....	238
Language selection. ....	240
Firmware update. ....	241
Security settings. ....	242
Printer information. ....	243
Setting Administrator Password on Operation Panel. ....	244
Erasing Data on Printer's Hard Disk. ....	246
Status Print. ....	247
<b>Changing Printer's Setting Using Web Browser. ....</b>	<b>249</b>
Start up Remote UI. ....	250
Changeable Setting Items Using Remote UI. ....	253
Security. ....	255
LAN settings. ....	256
Setting Passwords Using Remote UI. ....	258
Registering Printer's Root Certificate to Web Browser for SSL Communication. ....	260
Registering Printer's Root Certificate to Local Computer for SSL Communication. ....	264
Generating Server Certificate. ....	270

Setting Mail Server. . . . .	272
Receiving Printer Status by E-mail. . . . .	274
Migrating Printer's Setting. . . . .	276
Initializing Printer's Setting. . . . .	278
<b>Network Setting. . . . .</b>	<b>279</b>
Network Connection Tips. . . . .	280
Printer Connection Methods. . . . .	281
Connecting Smartphone/Tablet to Printer via Wireless Router. . . . .	285
Connecting Smartphone/Tablet to Printer Directly (Wireless Direct). . . . .	287
Default Network Settings. . . . .	291
Another Printer Found with Same Name. . . . .	293
Connecting to Another Computer via LAN/Changing from USB to LAN Connection. . . . .	294
Printing Network Settings. . . . .	295
Reconfiguration Method of LAN Connection/Reconfiguration Method of Wi-Fi Connection. . . . .	312
Countermeasures against Unauthorized Access. . . . .	314
Network Status and Troubleshooting. . . . .	316
Sharing the Printer on a Network (macOS). . . . .	318
Settings on Print Server. . . . .	319
Settings on Client PC. . . . .	320
Restrictions on Printer Sharing. . . . .	321
<b>Adjustments for Better Print Quality. . . . .</b>	<b>322</b>
Adjusting the Print Head. . . . .	323
Adjusting the Print Head. . . . .	324
Automatic Adjustment to Straighten Lines and Colors. . . . .	325
Manual Adjustment to Straighten Lines and Colors. . . . .	327
Troubleshooting Paper Abrasion and Blurry Images. . . . .	329
Adjusting Feed Amount. . . . .	331
Adjusting Feed Amount. . . . .	332
Selecting Feed Amount Adjustment Method. . . . .	333
Automatic Banding Adjustment. . . . .	334
Manual Banding Adjustment. . . . .	336
Fine-Tuning Paper Feed Amount. . . . .	338
Adjusting Line Length. . . . .	339

Adjusting Vacuum Strength. . . . .	341
<b>Color Management. . . . .</b>	<b>342</b>
Color Calibration. . . . .	343
Managing Colors. . . . .	344
Performing Color Calibration. . . . .	346
Adjustment Types of Color Calibration. . . . .	349
<b>Maintenance and Consumables. . . . .</b>	<b>352</b>
<b>Ink Tanks. . . . .</b>	<b>354</b>
Ink Tanks. . . . .	355
Replacing Ink Tanks. . . . .	358
Checking Ink Tank Levels. . . . .	372
When to Replace Ink Tanks. . . . .	374
<b>Print Head. . . . .</b>	<b>375</b>
Print Head. . . . .	376
Checking for Nozzle Clogging. . . . .	377
Cleaning the Print Head. . . . .	379
Replacing the Print Head. . . . .	382
<b>Maintenance Cartridge. . . . .</b>	<b>390</b>
Maintenance Cartridge. . . . .	391
Replacing the Maintenance Cartridge. . . . .	392
Checking the Remaining Maintenance Cartridge Capacity. . . . .	397
When to Replace the Maintenance Cartridge. . . . .	398
<b>Cutter Blade. . . . .</b>	<b>399</b>
Cutter Blade. . . . .	400
Replacing the Cutter Blade. . . . .	401
<b>Performing Maintenance Functions from Your Computer (macOS). . . . .</b>	<b>406</b>
Opening Remote UI for Maintenance. . . . .	407
Cleaning the Print Heads. . . . .	408
Printing a Nozzle Check Pattern. . . . .	411
<b>Cleaning the Printer. . . . .</b>	<b>412</b>
Cleaning the Printer Exterior. . . . .	413
Cleaning Inside the Top Cover. . . . .	415
Cleaning the Roll Unit. . . . .	418

Other Maintenance. . . . .	420
Preparing to Transfer the Printer. . . . .	421
Reinstalling the Printer. . . . .	426
Firmware update. . . . .	431
Specifications. . . . .	432
Specifications. . . . .	433
Print Area. . . . .	438
Appendix. . . . .	440
Manuals and Their Contents. . . . .	441
Safety. . . . .	442
Safety Precautions. . . . .	443
Regulatory Information. . . . .	445
WEEE (EU&EEA). . . . .	447
When Repairing, Lending, or Disposing of the Printer. . . . .	460
Online Manual. . . . .	461
Enhanced Printing Options. . . . .	462
Printing from Computer (macOS). . . . .	466
Printing with Easy Setup. . . . .	467
Setting the Number of Copies and Printing Order. . . . .	474
Using Roll Unit to Use 2-Level Rolls. . . . .	476
About 2-Level Roll Switching. . . . .	477
Setting the Paper Rolls in the Printer According to the Intended Use. . . . .	478
Printing by Automatically Switching Upper-level and Lower-level Roll Papers. . . . .	480
How to Switch Paper Rolls. . . . .	483
Reflect Roll Unit Settings in the Printer Driver. . . . .	488
Changing the Print Quality and Correcting Image Data. . . . .	489
Adjusting Color Balance. . . . .	490
Setting the Print Quality Level (Custom). . . . .	492
Printing a Color Document in Monochrome. . . . .	494
Specifying Color Correction. . . . .	495
Optimal Photo Printing of Image Data. . . . .	497
Adjusting Colors with the Printer Driver. . . . .	499
Printing with ICC Profiles (Specifying an ICC Profile from the Application Software). . . . .	501

Printing with ICC Profiles (Specifying an ICC Profile from the Printer Driver) . . . . .	503
Interpreting the ICC Profile . . . . .	504
Adjusting Brightness . . . . .	505
Adjusting Contrast . . . . .	507
Scaled Printing . . . . .	509
Printing to Oversized Paper Sizes . . . . .	512
Setting Paper Dimensions (Custom Size) . . . . .	514
Set a Custom Size Roll Width . . . . .	516
Print Area . . . . .	519
Printing without Edges Based on the Scenarios . . . . .	521
Printing without Margins to Match Roll Paper Width . . . . .	522
Printing Full-Size without Margins . . . . .	524
Three-sided Borderless Printing on Roll Paper . . . . .	526
Printing Hanging and Horizontal Banners (Large-Format Printing) . . . . .	531
Printing by Dividing/Joining Documents . . . . .	533
Lining Up and Printing Multiple Documents . . . . .	534
Printing by Connecting Multiple Pages . . . . .	535
Printing Multiple Pages All on One Page . . . . .	537
Printing Document in Center of Paper . . . . .	539
Printing by Saving Roll Paper . . . . .	541
Saving Roll Paper by Rotating Document 90 Degrees . . . . .	542
Saving Roll Paper by Eliminating Upper and Lower Margins on Document . . . . .	543
Switching the Paper Source to Match the Purpose . . . . .	544
Cutting Roll Paper after Printing . . . . .	546
Specify Fluorescent Colors and Print . . . . .	547
Printing Using AirPrint . . . . .	549
Printing from Printer . . . . .	552
Printing Data Saved on USB Flash Drive . . . . .	553
Printing from Smartphone/Tablet . . . . .	556
Printing from iOS Device (AirPrint) . . . . .	557
Enlarging Copy with imageRUNNER ADVANCE . . . . .	561
Fitting to Paper Width . . . . .	567
Specifying Magnification Level . . . . .	568
Printing with Fluorescent Ink . . . . .	572



Printer Driver. . . . .	574
macOS Printer Driver. . . . .	575
Overview of the Printer Driver. . . . .	576
Canon IJ Printer Driver. . . . .	577
Checking Layout in Preview before Printing. . . . .	578
Registering a Changed Printing Profile. . . . .	579
How to Open the Printer Driver Setup Dialog. . . . .	581
Page Setup Dialog. . . . .	582
Print Dialog. . . . .	583
Updating Media Information in Printer Driver. . . . .	585
Correcting Media Information in Printer Driver (When Printer Used in Shared Environment). . . . .	587
Confirm the Printer Paper Information. . . . .	588
Setting Accounting Information. . . . .	589
Set a PIN Code for Print Jobs. . . . .	590
Deleting the Undesired Print Job. . . . .	592
Displaying the Printing Status Screen. . . . .	593
Canon IJ Printer Utility2. . . . .	595
Opening the Canon IJ Printer Utility2. . . . .	596
Checking the Ink Status from Your Computer. . . . .	597
Instructions for Use (Printer Driver). . . . .	598
Description of Print Dialog. . . . .	599
Quality & Media. . . . .	600
Color Options. . . . .	603
Advanced Paper Settings. . . . .	605
Page Processing. . . . .	608
Additional Settings. . . . .	610
Specifications. . . . .	611
Updating the Printer Driver. . . . .	612
Obtaining the Latest Printer Driver. . . . .	613
Delete the Unnecessary Canon IJ Printer from the Printer List. . . . .	614
Before Installing the Printer Driver. . . . .	615
Installing the Printer Driver. . . . .	616
Application Software. . . . .	617
Managing Print Jobs. . . . .	618
Basic Print Job Operations. . . . .	619

Using Printer Hard Disk. . . . .	620
Saving Print Jobs in Personal Job Boxes. . . . .	622
Priority Printing. . . . .	627
Printing Pending Jobs. . . . .	629
Printing Security Print Jobs. . . . .	631
Deleting Print Jobs. . . . .	633
Printing Saved Jobs. . . . .	635
Deleting Saved Jobs. . . . .	637
Moving Saved Jobs. . . . .	639
<b>Advanced Print Job Operations. . . . .</b>	<b>640</b>
Saving Print Jobs Sent from Sources Other than Printer Driver. . . . .	641
Printing without Saving Jobs in Common Job Box. . . . .	643
Setting Passwords for Personal Job Boxes. . . . .	644
Naming Personal Job Boxes. . . . .	645
Printing List of Saved Jobs. . . . .	646
Renaming Saved Jobs. . . . .	647
Printer Hard Disk Operations. . . . .	648
Checking Free Hard Disk Space. . . . .	649
<b>Frequently Asked Questions. . . . .</b>	<b>650</b>
I want to easily create vertical or horizontal banners. . . . .	654
Does this printer support sub-ink tank system. . . . .	655
I want to know how to configure roll cutting. . . . .	656
I want to configure so that the roll is cut automatically after waiting for the ink to dry. . . . .	657
How do I print without borders. . . . .	658
I want to know the paper types that can be used in this printer. . . . .	659
The paper type that I want to print is not displayed on the Touch Screen. . . . .	660
Can I perform duplex printing. . . . .	661
I want to perform enlargement printing. . . . .	662
Network Settings and Common Problems. . . . .	663
Problems Regarding Paper. . . . .	664
Remove Jammed Roll Paper. . . . .	665
Remove a Jammed Sheet. . . . .	671
Roll paper cannot be inserted into the Paper Feed Slot. . . . .	675
Paper is not fed automatically. . . . .	676
Roll Paper Is not Switched Automatically. . . . .	677

Roll Paper Is not Fed Automatically. . . . .	678
Paper Source Does Not Switch When Roll Paper Is Used Up. . . . .	679
Roll Paper Remains/Lacks under Quantity Management. . . . .	680
Cannot load sheets. . . . .	681
Paper is not cut straight. . . . .	682
Paper is not cut. . . . .	684
Cutter Blade Does Not Work While Cutting Is in Progress. . . . .	685
The size of clear film cannot be detected. . . . .	686
Margins are wide. . . . .	687
When printing on roll paper, the printed surface becomes scratched. . . . .	688
<b>Printing Does Not Start. . . . .</b>	<b>689</b>
Printer Suddenly Stopped Working for Some Reason. . . . .	690
The Data lamp on the Operation Panel does not light up. . . . .	695
The printer does not respond even if print jobs are sent. . . . .	696
"Preparing the ink system." is displayed. . . . .	697
"Agitating the ink" is displayed. . . . .	698
Message Is Displayed and Borderless Printing Fails. . . . .	699
<b>The Printer Stops During a Print Job. . . . .</b>	<b>701</b>
Printing stops and an error message is displayed. . . . .	702
The printer ejects blank, unprinted paper. . . . .	703
<b>Problems with the Printing Quality. . . . .</b>	<b>704</b>
Printing is faint. . . . .	705
Paper rubs against the Print Head. . . . .	707
The edges of the paper are dirty. . . . .	709
The surface of the paper is dirty. . . . .	712
The back side of the paper is dirty. . . . .	714
Immediately after borderless printing, the trailing edge margin is soiled during regular printing. . . . .	716
Printed colors are inaccurate. . . . .	717
Banding in different colors occurs. . . . .	719
Colors in printed images are uneven. . . . .	722
Image edges are blurred or white banding occurs. . . . .	725
The length of the printed image in the paper ejection direction is not accurate. . . . .	727
Images are printed crooked. . . . .	729
Documents are printed in monochrome. . . . .	730
Line thickness is not uniform. . . . .	731
Lines or colors are misaligned. . . . .	733

Borders appear in borderless printing. . . . .	735
<b>Cannot Print over Network. . . . .</b>	<b>736</b>
Cannot Connect Printer to Network. . . . .	737
Cannot Print over TCP/IP Network. . . . .	738
Cannot Print over Bonjour networks. . . . .	739
<b>Cannot Find Printer on Network. . . . .</b>	<b>740</b>
Cannot Find Printer During Setup. . . . .	741
Cannot Proceed beyond Printer Connection Screen/Connect Cable Screen. . . . .	745
Searching Printer by IP Address or Host Name During Setup. . . . .	747
Cannot Find Printer while Using Wi-Fi. . . . .	750
Cannot Find Printer while Using Wired LAN. . . . .	753
Cannot Print Using AirPrint. . . . .	754
<b>Installation Problems. . . . .</b>	<b>755</b>
Removing Printer Software. . . . .	756
Taking Time to Setup Process (Windows). . . . .	758
Failed to Printer Driver Installation (Windows). . . . .	759
<b>Other Problems. . . . .</b>	<b>761</b>
Printer does not turn on. . . . .	762
If the Printer Makes a Strange Sound. . . . .	763
Messages advising to check the maintenance cartridge are not cleared. . . . .	765
Printer consumes a lot of ink. . . . .	766
Printed pages are not collected cleanly in the basket. . . . .	767
Basket Lurches. . . . .	768
When Trim edge first is set, the trimmed paper is drawn into the roll unit. . . . .	769
Ink Level Detection. . . . .	770
Media Type Selection does not Match Loaded Media Type. . . . .	771
Warning Message is Displayed When Performing Color Calibration. . . . .	772
<b>List of Support Code for Error. . . . .</b>	<b>773</b>
1005. . . . .	776
100A. . . . .	777
100B. . . . .	778
100E. . . . .	779
100F. . . . .	780
1012. . . . .	781

1018.	782
1019.	783
1021.	784
1022.	785
1023.	786
1024.	787
1025.	788
1034.	789
1035.	790
1036.	791
1039.	792
1040.	793
1051.	794
1052.	795
1054.	796
1056.	797
1057.	798
1058.	799
1059.	800
1061.	801
1200.	802
1201.	803
1210.	804
1213.	805
1214.	806
1300.	807
1306.	808
1317.	809
1318.	810
1322.	811
1323.	812
1324.	813
1325.	814

1326.....	815
1327.....	816
1328.....	817
1329.....	818
1401.....	819
1403.....	820
1408.....	821
1409.....	822
140A.....	823
140B.....	824
140C.....	825
140F.....	826
1468.....	827
1477.....	828
1478.....	829
1480.....	830
1481.....	831
1485.....	832
1492.....	833
1494.....	834
1495.....	835
1500.....	836
1551.....	837
1552.....	838
1570.....	839
1571.....	840
1660.....	841
168B.....	842
1720.....	843
1721.....	844
1722.....	845
1730.....	846
1731.....	847

1752.....	848
1753.....	849
1756.....	850
1757.....	851
1875.....	852
2001.....	853
2002.....	854
2130.....	855
2131.....	856
2132.....	857
3000.....	858
3001.....	859
3101.....	860
3200.....	861
3201.....	862
3250.....	863
3306.....	864
3311.....	865
3312.....	866
3313.....	867
3314.....	868
3315.....	869
3316.....	870
3317.....	871
3331.....	872
3332.....	873
3333.....	874
3334.....	875
3335.....	876
3336.....	877
3338.....	878
3341.....	879
3350.....	880

3351.....	881
3352.....	882
3414.....	883
3415.....	884
3416.....	885
3417.....	886
3418.....	887
3419.....	888
3420.....	889
3421.....	890
3422.....	891
3423.....	892
3424.....	893
3448.....	894
3451.....	895
4107.....	896
4111.....	897
4112.....	898
4114.....	899
4116.....	900
4117.....	901
4119.....	902
4120.....	903
4121.....	904
4122.....	905
4801.....	906
4803.....	907
4804.....	908
4805.....	909
4806.....	910
4900.....	911
4901.....	912
4903.....	913



4905.....	914
4909.....	915
4910.....	916
4911.....	917
4913.....	918
4920.....	919
4924.....	921
4925.....	922
4926.....	923
4927.....	924
4931.....	925
4932.....	926
4933.....	927
4934.....	928
4935.....	929
4950.....	930
4951.....	931
4952.....	932
4953.....	933
4954.....	934
4955.....	935
4956.....	936
5200.....	937
5A60.....	938
5A61.....	939
5B10.....	940
5B16.....	941
5B20.....	942
5B21.....	943
5C00.....	944
6502.....	945
6700.....	946
6702.....	947

6820.....	948
6900.....	949
6901.....	950
6902.....	951
6910.....	952
6911.....	953
6920.....	954
6921.....	955
6930.....	956
6931.....	957
6932.....	958
6933.....	959
6940.....	960
6941.....	961
6942.....	962
6943.....	963
6944.....	964
6945.....	965
6946.....	966
7050.....	967
7051.....	968
7052.....	969
8200.....	970
9000.....	971
9110.....	972
B20A.....	973
B510.....	974

## Using This Online Manual

---

- ➔ [Symbols Used in This Document](#)
- ➔ [Touch-enabled Device Users \(Windows\)](#)

### Symbols Used in This Document

#### **Warning**

Instructions that, if ignored, could result in death, serious personal injury, or property damage caused by incorrect operation of the equipment. These must be observed for safe operation.

#### **Caution**

Instructions that, if ignored, could result in personal injury or property damage caused by incorrect operation of the equipment. These must be observed for safe operation.

#### **Important**

Instructions including important information that must be observed to avoid damage and injury or improper use of the product. Be sure to read these instructions.

#### **Note**

Instructions including notes for operation and additional explanations.

#### **Basics**

Instructions explaining basic operations of your product.

#### **Note**

- Icons may vary depending on your product.

### Touch-enabled Device Users (Windows)

For touch actions, you need to replace "right-click" in this document with the action set on the operating system. For example, if the action is set to "press and hold" on your operating system, replace "right-click" with "press and hold."

## Trademarks and Licenses

- Microsoft is a registered trademark of Microsoft Corporation.
- Windows is a trademark or registered trademark of Microsoft Corporation in the U.S. and/or other countries.
- Windows Vista is a trademark or registered trademark of Microsoft Corporation in the U.S. and/or other countries.
- Microsoft Edge is a trademark or registered trademark of Microsoft Corporation in the U.S. and/or other countries.
- Internet Explorer is a trademark or registered trademark of Microsoft Corporation in the U.S. and/or other countries.
- Mac, Mac OS, macOS, OS X, AirPort, App Store, AirPrint, the AirPrint logo, Safari, Bonjour, iPad, iPad Air, iPad mini, iPadOS, iPhone and iPod touch are trademarks of Apple Inc., registered in the U.S. and other countries.
- IOS is a trademark or registered trademark of Cisco in the U.S. and other countries and is used under license.
- Google Cloud Print, Google Chrome, Chrome OS, Chromebook, Android, Google Drive, Google Apps and Google Analytics are either registered trademarks or trademarks of Google Inc. Google Play and Google Play Logo are trademarks of Google LLC.
- Adobe, Acrobat, Flash, Photoshop, Photoshop Elements, Lightroom, Adobe RGB and Adobe RGB (1998) are either registered trademarks or trademarks of Adobe Systems Incorporated in the United States and/or other countries.
- Bluetooth is a trademark of Bluetooth SIG, Inc., U.S.A. and licensed to Canon Inc.
- Autodesk and AutoCAD are registered trademarks or trademarks of Autodesk, Inc., and/or its subsidiaries and/or affiliates in the USA and/or other countries.
- QR Code is a registered trademark of DENSO WAVE INCORPORATED in Japan and in other countries.
- USB Type-C™ is a trademark of USB Implementers Forum.
- The Mopria® word mark and the Mopria® Logo are registered and/or unregistered trademarks of Mopria Alliance, Inc. in the United States and other countries. Unauthorized use is strictly prohibited.

### ▶▶▶ Note

- The formal name of Windows Vista is Microsoft Windows Vista operating system.

Copyright (c) 2003-2015 Apple Inc. All rights reserved.

Redistribution and use in source and binary forms, with or without modification, are permitted provided that the following conditions are met:

1. Redistributions of source code must retain the above copyright notice, this list of conditions and the following disclaimer.
2. Redistributions in binary form must reproduce the above copyright notice, this list of conditions and the following disclaimer in the documentation and/or other materials provided with the distribution.
3. Neither the name of Apple Inc. ("Apple") nor the names of its contributors may be used to endorse or promote products derived from this software without specific prior written permission.

THIS SOFTWARE IS PROVIDED BY APPLE AND ITS CONTRIBUTORS "AS IS" AND ANY EXPRESS OR IMPLIED WARRANTIES, INCLUDING, BUT NOT LIMITED TO, THE IMPLIED WARRANTIES OF MERCHANTABILITY AND FITNESS FOR A PARTICULAR PURPOSE ARE DISCLAIMED. IN

NO EVENT SHALL APPLE OR ITS CONTRIBUTORS BE LIABLE FOR ANY DIRECT, INDIRECT, INCIDENTAL, SPECIAL, EXEMPLARY, OR CONSEQUENTIAL DAMAGES (INCLUDING, BUT NOT LIMITED TO, PROCUREMENT OF SUBSTITUTE GOODS OR SERVICES; LOSS OF USE, DATA, OR PROFITS; OR BUSINESS INTERRUPTION) HOWEVER CAUSED AND ON ANY THEORY OF LIABILITY, WHETHER IN CONTRACT, STRICT LIABILITY, OR TORT (INCLUDING NEGLIGENCE OR OTHERWISE) ARISING IN ANY WAY OUT OF THE USE OF THIS SOFTWARE, EVEN IF ADVISED OF THE POSSIBILITY OF SUCH DAMAGE.

Apache License

Version 2.0, January 2004

<http://www.apache.org/licenses/>

TERMS AND CONDITIONS FOR USE, REPRODUCTION, AND DISTRIBUTION

1. Definitions.

"License" shall mean the terms and conditions for use, reproduction, and distribution as defined by Sections 1 through 9 of this document.

"Licensor" shall mean the copyright owner or entity authorized by the copyright owner that is granting the License.

"Legal Entity" shall mean the union of the acting entity and all other entities that control, are controlled by, or are under common control with that entity. For the purposes of this definition, "control" means (i) the power, direct or indirect, to cause the direction or management of such entity, whether by contract or otherwise, or (ii) ownership of fifty percent (50%) or more of the outstanding shares, or (iii) beneficial ownership of such entity.

"You" (or "Your") shall mean an individual or Legal Entity exercising permissions granted by this License.

"Source" form shall mean the preferred form for making modifications, including but not limited to software source code, documentation source, and configuration files.

"Object" form shall mean any form resulting from mechanical transformation or translation of a Source form, including but not limited to compiled object code, generated documentation, and conversions to other media types.

"Work" shall mean the work of authorship, whether in Source or Object form, made available under the License, as indicated by a copyright notice that is included in or attached to the work (an example is provided in the Appendix below).

"Derivative Works" shall mean any work, whether in Source or Object form, that is based on (or derived from) the Work and for which the editorial revisions, annotations, elaborations, or other modifications represent, as a whole, an original work of authorship. For the purposes of this License, Derivative Works shall not include works that remain separable from, or merely link (or bind by name) to the interfaces of, the Work and Derivative Works thereof.

"Contribution" shall mean any work of authorship, including the original version of the Work and any modifications or additions to that Work or Derivative Works thereof, that is intentionally submitted to Licensor for inclusion in the Work by the copyright owner or by an individual or Legal Entity authorized to submit on behalf of the copyright owner. For the purposes of this definition, "submitted" means any form of electronic, verbal, or written communication sent to the Licensor or its representatives, including but not limited to communication on electronic mailing lists,

source code control systems, and issue tracking systems that are managed by, or on behalf of, the Licensor for the purpose of discussing and improving the Work, but excluding communication that is conspicuously marked or otherwise designated in writing by the copyright owner as "Not a Contribution."

"Contributor" shall mean Licensor and any individual or Legal Entity on behalf of whom a Contribution has been received by Licensor and subsequently incorporated within the Work.

2. **Grant of Copyright License.** Subject to the terms and conditions of this License, each Contributor hereby grants to You a perpetual, worldwide, non-exclusive, no-charge, royalty-free, irrevocable copyright license to reproduce, prepare Derivative Works of, publicly display, publicly perform, sublicense, and distribute the Work and such Derivative Works in Source or Object form.
3. **Grant of Patent License.** Subject to the terms and conditions of this License, each Contributor hereby grants to You a perpetual, worldwide, non-exclusive, no-charge, royalty-free, irrevocable (except as stated in this section) patent license to make, have made, use, offer to sell, sell, import, and otherwise transfer the Work, where such license applies only to those patent claims licensable by such Contributor that are necessarily infringed by their Contribution(s) alone or by combination of their Contribution(s) with the Work to which such Contribution(s) was submitted. If You institute patent litigation against any entity (including a cross-claim or counterclaim in a lawsuit) alleging that the Work or a Contribution incorporated within the Work constitutes direct or contributory patent infringement, then any patent licenses granted to You under this License for that Work shall terminate as of the date such litigation is filed.
4. **Redistribution.** You may reproduce and distribute copies of the Work or Derivative Works thereof in any medium, with or without modifications, and in Source or Object form, provided that You meet the following conditions:
  1. You must give any other recipients of the Work or Derivative Works a copy of this License; and
  2. You must cause any modified files to carry prominent notices stating that You changed the files; and
  3. You must retain, in the Source form of any Derivative Works that You distribute, all copyright, patent, trademark, and attribution notices from the Source form of the Work, excluding those notices that do not pertain to any part of the Derivative Works; and
  4. If the Work includes a "NOTICE" text file as part of its distribution, then any Derivative Works that You distribute must include a readable copy of the attribution notices contained within such NOTICE file, excluding those notices that do not pertain to any part of the Derivative Works, in at least one of the following places: within a NOTICE text file distributed as part of the Derivative Works; within the Source form or documentation, if provided along with the Derivative Works; or, within a display generated by the Derivative Works, if and wherever such third-party notices normally appear. The contents of the NOTICE file are for informational purposes only and do not modify the License. You may add Your own attribution notices within Derivative Works that You distribute, alongside or as an addendum to the NOTICE text from the Work, provided that such additional attribution notices cannot be construed as modifying the License.

You may add Your own copyright statement to Your modifications and may provide additional or different license terms and conditions for use, reproduction, or distribution of Your modifications, or for any such Derivative Works as a whole, provided Your use, reproduction, and distribution of the Work otherwise complies with the conditions stated in this License.
5. **Submission of Contributions.** Unless You explicitly state otherwise, any Contribution intentionally submitted for inclusion in the Work by You to the Licensor shall be under the terms and conditions

of this License, without any additional terms or conditions. Notwithstanding the above, nothing herein shall supersede or modify the terms of any separate license agreement you may have executed with Licensor regarding such Contributions.

6. Trademarks. This License does not grant permission to use the trade names, trademarks, service marks, or product names of the Licensor, except as required for reasonable and customary use in describing the origin of the Work and reproducing the content of the NOTICE file.
7. Disclaimer of Warranty. Unless required by applicable law or agreed to in writing, Licensor provides the Work (and each Contributor provides its Contributions) on an "AS IS" BASIS, WITHOUT WARRANTIES OR CONDITIONS OF ANY KIND, either express or implied, including, without limitation, any warranties or conditions of TITLE, NON-INFRINGEMENT, MERCHANTABILITY, or FITNESS FOR A PARTICULAR PURPOSE. You are solely responsible for determining the appropriateness of using or redistributing the Work and assume any risks associated with Your exercise of permissions under this License.
8. Limitation of Liability. In no event and under no legal theory, whether in tort (including negligence), contract, or otherwise, unless required by applicable law (such as deliberate and grossly negligent acts) or agreed to in writing, shall any Contributor be liable to You for damages, including any direct, indirect, special, incidental, or consequential damages of any character arising as a result of this License or out of the use or inability to use the Work (including but not limited to damages for loss of goodwill, work stoppage, computer failure or malfunction, or any and all other commercial damages or losses), even if such Contributor has been advised of the possibility of such damages.
9. Accepting Warranty or Additional Liability. While redistributing the Work or Derivative Works thereof, You may choose to offer, and charge a fee for, acceptance of support, warranty, indemnity, or other liability obligations and/or rights consistent with this License. However, in accepting such obligations, You may act only on Your own behalf and on Your sole responsibility, not on behalf of any other Contributor, and only if You agree to indemnify, defend, and hold each Contributor harmless for any liability incurred by, or claims asserted against, such Contributor by reason of your accepting any such warranty or additional liability.

END OF TERMS AND CONDITIONS

---- Part 1: CMU/UCD copyright notice: (BSD like) ----

Copyright 1989, 1991, 1992 by Carnegie Mellon University

Derivative Work - 1996, 1998-2000

Copyright 1996, 1998-2000 The Regents of the University of California

All Rights Reserved

Permission to use, copy, modify and distribute this software and its documentation for any purpose and without fee is hereby granted, provided that the above copyright notice appears in all copies and that both that copyright notice and this permission notice appear in supporting documentation, and that the name of CMU and The Regents of the University of California not be used in advertising or publicity pertaining to distribution of the software without specific written permission.

CMU AND THE REGENTS OF THE UNIVERSITY OF CALIFORNIA DISCLAIM ALL WARRANTIES WITH REGARD TO THIS SOFTWARE, INCLUDING ALL IMPLIED WARRANTIES OF MERCHANTABILITY AND FITNESS. IN NO EVENT SHALL CMU OR THE REGENTS OF THE UNIVERSITY OF CALIFORNIA BE LIABLE FOR ANY SPECIAL, INDIRECT OR CONSEQUENTIAL DAMAGES OR ANY DAMAGES WHATSOEVER RESULTING FROM THE LOSS OF USE, DATA OR

PROFITS, WHETHER IN AN ACTION OF CONTRACT, NEGLIGENCE OR OTHER TORTIOUS ACTION, ARISING OUT OF OR IN CONNECTION WITH THE USE OR PERFORMANCE OF THIS SOFTWARE.

---- Part 2: Networks Associates Technology, Inc copyright notice (BSD) ----

Copyright (c) 2001-2003, Networks Associates Technology, Inc

All rights reserved.

Redistribution and use in source and binary forms, with or without modification, are permitted provided that the following conditions are met:

- \* Redistributions of source code must retain the above copyright notice, this list of conditions and the following disclaimer.
- \* Redistributions in binary form must reproduce the above copyright notice, this list of conditions and the following disclaimer in the documentation and/or other materials provided with the distribution.
- \* Neither the name of the Networks Associates Technology, Inc nor the names of its contributors may be used to endorse or promote products derived from this software without specific prior written permission.

THIS SOFTWARE IS PROVIDED BY THE COPYRIGHT HOLDERS AND CONTRIBUTORS ``AS IS" AND ANY EXPRESS OR IMPLIED WARRANTIES, INCLUDING, BUT NOT LIMITED TO, THE IMPLIED WARRANTIES OF MERCHANTABILITY AND FITNESS FOR A PARTICULAR PURPOSE ARE DISCLAIMED. IN NO EVENT SHALL THE COPYRIGHT HOLDERS OR CONTRIBUTORS BE LIABLE FOR ANY DIRECT, INDIRECT, INCIDENTAL, SPECIAL, EXEMPLARY, OR CONSEQUENTIAL DAMAGES (INCLUDING, BUT NOT LIMITED TO, PROCUREMENT OF SUBSTITUTE GOODS OR SERVICES; LOSS OF USE, DATA, OR PROFITS; OR BUSINESS INTERRUPTION) HOWEVER CAUSED AND ON ANY THEORY OF LIABILITY, WHETHER IN CONTRACT, STRICT LIABILITY, OR TORT (INCLUDING NEGLIGENCE OR OTHERWISE) ARISING IN ANY WAY OUT OF THE USE OF THIS SOFTWARE, EVEN IF ADVISED OF THE POSSIBILITY OF SUCH DAMAGE.

---- Part 3: Cambridge Broadband Ltd. copyright notice (BSD) ----

Portions of this code are copyright (c) 2001-2003, Cambridge Broadband Ltd.

All rights reserved.

Redistribution and use in source and binary forms, with or without modification, are permitted provided that the following conditions are met:

- \* Redistributions of source code must retain the above copyright notice, this list of conditions and the following disclaimer.
- \* Redistributions in binary form must reproduce the above copyright notice, this list of conditions and the following disclaimer in the documentation and/or other materials provided with the distribution.
- \* The name of Cambridge Broadband Ltd. may not be used to endorse or promote products derived from this software without specific prior written permission.

THIS SOFTWARE IS PROVIDED BY THE COPYRIGHT HOLDER ``AS IS" AND ANY EXPRESS OR IMPLIED WARRANTIES, INCLUDING, BUT NOT LIMITED TO, THE IMPLIED WARRANTIES OF MERCHANTABILITY AND FITNESS FOR A PARTICULAR PURPOSE ARE DISCLAIMED. IN NO EVENT SHALL THE COPYRIGHT HOLDER BE LIABLE FOR ANY DIRECT, INDIRECT, INCIDENTAL, SPECIAL, EXEMPLARY, OR CONSEQUENTIAL DAMAGES (INCLUDING, BUT NOT LIMITED TO, PROCUREMENT OF SUBSTITUTE GOODS OR SERVICES; LOSS OF USE, DATA, OR PROFITS; OR BUSINESS INTERRUPTION) HOWEVER CAUSED AND ON ANY THEORY OF LIABILITY, WHETHER



IN CONTRACT, STRICT LIABILITY, OR TORT (INCLUDING NEGLIGENCE OR OTHERWISE) ARISING IN ANY WAY OUT OF THE USE OF THIS SOFTWARE, EVEN IF ADVISED OF THE POSSIBILITY OF SUCH DAMAGE.

---- Part 4: Sun Microsystems, Inc. copyright notice (BSD) ----

Copyright c 2003 Sun Microsystems, Inc., 4150 Network Circle, Santa Clara, California 95054, U.S.A. All rights reserved.

Use is subject to license terms below.

This distribution may include materials developed by third parties.

Sun, Sun Microsystems, the Sun logo and Solaris are trademarks or registered trademarks of Sun Microsystems, Inc. in the U.S. and other countries.

Redistribution and use in source and binary forms, with or without modification, are permitted provided that the following conditions are met:

- \* Redistributions of source code must retain the above copyright notice, this list of conditions and the following disclaimer.
- \* Redistributions in binary form must reproduce the above copyright notice, this list of conditions and the following disclaimer in the documentation and/or other materials provided with the distribution.
- \* Neither the name of the Sun Microsystems, Inc. nor the names of its contributors may be used to endorse or promote products derived from this software without specific prior written permission.

THIS SOFTWARE IS PROVIDED BY THE COPYRIGHT HOLDERS AND CONTRIBUTORS "AS IS" AND ANY EXPRESS OR IMPLIED WARRANTIES, INCLUDING, BUT NOT LIMITED TO, THE IMPLIED WARRANTIES OF MERCHANTABILITY AND FITNESS FOR A PARTICULAR PURPOSE ARE DISCLAIMED. IN NO EVENT SHALL THE COPYRIGHT HOLDERS OR CONTRIBUTORS BE LIABLE FOR ANY DIRECT, INDIRECT, INCIDENTAL, SPECIAL, EXEMPLARY, OR CONSEQUENTIAL DAMAGES (INCLUDING, BUT NOT LIMITED TO, PROCUREMENT OF SUBSTITUTE GOODS OR SERVICES; LOSS OF USE, DATA, OR PROFITS; OR BUSINESS INTERRUPTION) HOWEVER CAUSED AND ON ANY THEORY OF LIABILITY, WHETHER IN CONTRACT, STRICT LIABILITY, OR TORT (INCLUDING NEGLIGENCE OR OTHERWISE) ARISING IN ANY WAY OUT OF THE USE OF THIS SOFTWARE, EVEN IF ADVISED OF THE POSSIBILITY OF SUCH DAMAGE.

---- Part 5: Sparta, Inc copyright notice (BSD) ----

Copyright (c) 2003-2012, Sparta, Inc

All rights reserved.

Redistribution and use in source and binary forms, with or without modification, are permitted provided that the following conditions are met:

- \* Redistributions of source code must retain the above copyright notice, this list of conditions and the following disclaimer.
- \* Redistributions in binary form must reproduce the above copyright notice, this list of conditions and the following disclaimer in the documentation and/or other materials provided with the distribution.
- \* Neither the name of Sparta, Inc nor the names of its contributors may be used to endorse or promote products derived from this software without specific prior written permission.

THIS SOFTWARE IS PROVIDED BY THE COPYRIGHT HOLDERS AND CONTRIBUTORS ``AS IS" AND ANY EXPRESS OR IMPLIED WARRANTIES, INCLUDING, BUT NOT LIMITED TO, THE IMPLIED WARRANTIES OF MERCHANTABILITY AND FITNESS FOR A PARTICULAR PURPOSE ARE DISCLAIMED. IN NO EVENT SHALL THE COPYRIGHT HOLDERS OR CONTRIBUTORS BE LIABLE FOR ANY DIRECT, INDIRECT, INCIDENTAL, SPECIAL, EXEMPLARY, OR CONSEQUENTIAL DAMAGES (INCLUDING, BUT NOT LIMITED TO, PROCUREMENT OF SUBSTITUTE GOODS OR SERVICES; LOSS OF USE, DATA, OR PROFITS; OR BUSINESS INTERRUPTION) HOWEVER CAUSED AND ON ANY THEORY OF LIABILITY, WHETHER IN CONTRACT, STRICT LIABILITY, OR TORT (INCLUDING NEGLIGENCE OR OTHERWISE) ARISING IN ANY WAY OUT OF THE USE OF THIS SOFTWARE, EVEN IF ADVISED OF THE POSSIBILITY OF SUCH DAMAGE.

---- Part 6: Cisco/BUPTNIC copyright notice (BSD) ----

Copyright (c) 2004, Cisco, Inc and Information Network Center of Beijing University of Posts and Telecommunications.

All rights reserved.

Redistribution and use in source and binary forms, with or without modification, are permitted provided that the following conditions are met:

- \* Redistributions of source code must retain the above copyright notice, this list of conditions and the following disclaimer.
- \* Redistributions in binary form must reproduce the above copyright notice, this list of conditions and the following disclaimer in the documentation and/or other materials provided with the distribution.
- \* Neither the name of Cisco, Inc, Beijing University of Posts and Telecommunications, nor the names of their contributors may be used to endorse or promote products derived from this software without specific prior written permission.

THIS SOFTWARE IS PROVIDED BY THE COPYRIGHT HOLDERS AND CONTRIBUTORS ``AS IS" AND ANY EXPRESS OR IMPLIED WARRANTIES, INCLUDING, BUT NOT LIMITED TO, THE IMPLIED WARRANTIES OF MERCHANTABILITY AND FITNESS FOR A PARTICULAR PURPOSE ARE DISCLAIMED. IN NO EVENT SHALL THE COPYRIGHT HOLDERS OR CONTRIBUTORS BE LIABLE FOR ANY DIRECT, INDIRECT, INCIDENTAL, SPECIAL, EXEMPLARY, OR CONSEQUENTIAL DAMAGES (INCLUDING, BUT NOT LIMITED TO, PROCUREMENT OF SUBSTITUTE GOODS OR SERVICES; LOSS OF USE, DATA, OR PROFITS; OR BUSINESS INTERRUPTION) HOWEVER CAUSED AND ON ANY THEORY OF LIABILITY, WHETHER IN CONTRACT, STRICT LIABILITY, OR TORT (INCLUDING NEGLIGENCE OR OTHERWISE) ARISING IN ANY WAY OUT OF THE USE OF THIS SOFTWARE, EVEN IF ADVISED OF THE POSSIBILITY OF SUCH DAMAGE.

---- Part 7: Fabasoft R&D Software GmbH & Co KG copyright notice (BSD) ----

Copyright (c) Fabasoft R&D Software GmbH & Co KG, 2003 oss@fabasoft.com

Author: Bernhard Penz <bernhard.penz@fabasoft.com>

Redistribution and use in source and binary forms, with or without modification, are permitted provided that the following conditions are met:

- \* Redistributions of source code must retain the above copyright notice, this list of conditions and the following disclaimer.

\* Redistributions in binary form must reproduce the above copyright notice, this list of conditions and the following disclaimer in the documentation and/or other materials provided with the distribution.

\* The name of Fabasoft R&D Software GmbH & Co KG or any of its subsidiaries, brand or product names may not be used to endorse or promote products derived from this software without specific prior written permission.

THIS SOFTWARE IS PROVIDED BY THE COPYRIGHT HOLDER "AS IS" AND ANY EXPRESS OR IMPLIED WARRANTIES, INCLUDING, BUT NOT LIMITED TO, THE IMPLIED WARRANTIES OF MERCHANTABILITY AND FITNESS FOR A PARTICULAR PURPOSE ARE DISCLAIMED. IN NO EVENT SHALL THE COPYRIGHT HOLDER BE LIABLE FOR ANY DIRECT, INDIRECT, INCIDENTAL, SPECIAL, EXEMPLARY, OR CONSEQUENTIAL DAMAGES (INCLUDING, BUT NOT LIMITED TO, PROCUREMENT OF SUBSTITUTE GOODS OR SERVICES; LOSS OF USE, DATA, OR PROFITS; OR BUSINESS INTERRUPTION) HOWEVER CAUSED AND ON ANY THEORY OF LIABILITY, WHETHER IN CONTRACT, STRICT LIABILITY, OR TORT (INCLUDING NEGLIGENCE OR OTHERWISE) ARISING IN ANY WAY OUT OF THE USE OF THIS SOFTWARE, EVEN IF ADVISED OF THE POSSIBILITY OF SUCH DAMAGE.

---- Part 8: Apple Inc. copyright notice (BSD) ----

Copyright (c) 2007 Apple Inc. All rights reserved.

Redistribution and use in source and binary forms, with or without modification, are permitted provided that the following conditions are met:

1. Redistributions of source code must retain the above copyright notice, this list of conditions and the following disclaimer.
2. Redistributions in binary form must reproduce the above copyright notice, this list of conditions and the following disclaimer in the documentation and/or other materials provided with the distribution.
3. Neither the name of Apple Inc. ("Apple") nor the names of its contributors may be used to endorse or promote products derived from this software without specific prior written permission.

THIS SOFTWARE IS PROVIDED BY APPLE AND ITS CONTRIBUTORS "AS IS" AND ANY EXPRESS OR IMPLIED WARRANTIES, INCLUDING, BUT NOT LIMITED TO, THE IMPLIED WARRANTIES OF MERCHANTABILITY AND FITNESS FOR A PARTICULAR PURPOSE ARE DISCLAIMED. IN NO EVENT SHALL APPLE OR ITS CONTRIBUTORS BE LIABLE FOR ANY DIRECT, INDIRECT, INCIDENTAL, SPECIAL, EXEMPLARY, OR CONSEQUENTIAL DAMAGES (INCLUDING, BUT NOT LIMITED TO, PROCUREMENT OF SUBSTITUTE GOODS OR SERVICES; LOSS OF USE, DATA, OR PROFITS; OR BUSINESS INTERRUPTION) HOWEVER CAUSED AND ON ANY THEORY OF LIABILITY, WHETHER IN CONTRACT, STRICT LIABILITY, OR TORT (INCLUDING NEGLIGENCE OR OTHERWISE) ARISING IN ANY WAY OUT OF THE USE OF THIS SOFTWARE, EVEN IF ADVISED OF THE POSSIBILITY OF SUCH DAMAGE.

---- Part 9: ScienceLogic, LLC copyright notice (BSD) ----

Copyright (c) 2009, ScienceLogic, LLC

All rights reserved.

Redistribution and use in source and binary forms, with or without modification, are permitted provided that the following conditions are met:

\* Redistributions of source code must retain the above copyright notice, this list of conditions and the following disclaimer.

\* Redistributions in binary form must reproduce the above copyright notice, this list of conditions and the following disclaimer in the documentation and/or other materials provided with the distribution.

\* Neither the name of ScienceLogic, LLC nor the names of its contributors may be used to endorse or promote products derived from this software without specific prior written permission.

THIS SOFTWARE IS PROVIDED BY THE COPYRIGHT HOLDERS AND CONTRIBUTORS "AS IS" AND ANY EXPRESS OR IMPLIED WARRANTIES, INCLUDING, BUT NOT LIMITED TO, THE IMPLIED WARRANTIES OF MERCHANTABILITY AND FITNESS FOR A PARTICULAR PURPOSE ARE DISCLAIMED. IN NO EVENT SHALL THE COPYRIGHT HOLDERS OR CONTRIBUTORS BE LIABLE FOR ANY DIRECT, INDIRECT, INCIDENTAL, SPECIAL, EXEMPLARY, OR CONSEQUENTIAL DAMAGES (INCLUDING, BUT NOT LIMITED TO, PROCUREMENT OF SUBSTITUTE GOODS OR SERVICES; LOSS OF USE, DATA, OR PROFITS; OR BUSINESS INTERRUPTION) HOWEVER CAUSED AND ON ANY THEORY OF LIABILITY, WHETHER IN CONTRACT, STRICT LIABILITY, OR TORT (INCLUDING NEGLIGENCE OR OTHERWISE) ARISING IN ANY WAY OUT OF THE USE OF THIS SOFTWARE, EVEN IF ADVISED OF THE POSSIBILITY OF SUCH DAMAGE.

## LEADTOOLS

Copyright (C) 1991-2009 LEAD Technologies, Inc.

CMap Resources

-----  
Copyright 1990-2009 Adobe Systems Incorporated.

All rights reserved.

Copyright 1990-2010 Adobe Systems Incorporated.

All rights reserved.

Redistribution and use in source and binary forms, with or without modification, are permitted provided that the following conditions are met:

Redistributions of source code must retain the above copyright notice, this list of conditions and the following disclaimer.

Redistributions in binary form must reproduce the above copyright notice, this list of conditions and the following disclaimer in the documentation and/or other materials provided with the distribution.

Neither the name of Adobe Systems Incorporated nor the names of its contributors may be used to endorse or promote products derived from this software without specific prior written permission.

THIS SOFTWARE IS PROVIDED BY THE COPYRIGHT HOLDERS AND CONTRIBUTORS "AS IS" AND ANY EXPRESS OR IMPLIED WARRANTIES, INCLUDING, BUT NOT LIMITED TO, THE IMPLIED WARRANTIES OF MERCHANTABILITY AND FITNESS FOR A PARTICULAR PURPOSE ARE

DISCLAIMED. IN NO EVENT SHALL THE COPYRIGHT HOLDER OR CONTRIBUTORS BE LIABLE FOR ANY DIRECT, INDIRECT, INCIDENTAL, SPECIAL, EXEMPLARY, OR CONSEQUENTIAL DAMAGES (INCLUDING, BUT NOT LIMITED TO, PROCUREMENT OF SUBSTITUTE GOODS OR SERVICES; LOSS OF USE, DATA, OR PROFITS; OR BUSINESS INTERRUPTION) HOWEVER CAUSED AND ON ANY THEORY OF LIABILITY, WHETHER IN CONTRACT, STRICT LIABILITY, OR TORT (INCLUDING NEGLIGENCE OR OTHERWISE) ARISING IN ANY WAY OUT OF THE USE OF THIS SOFTWARE, EVEN IF ADVISED OF THE POSSIBILITY OF SUCH DAMAGE.

-----

MIT License

Copyright (c) 1998, 1999, 2000 Thai Open Source Software Center Ltd

Permission is hereby granted, free of charge, to any person obtaining a copy of this software and associated documentation files (the "Software"), to deal in the Software without restriction, including without limitation the rights to use, copy, modify, merge, publish, distribute, sublicense, and/or sell copies of the Software, and to permit persons to whom the Software is furnished to do so, subject to the following conditions:

The above copyright notice and this permission notice shall be included in all copies or substantial portions of the Software.

THE SOFTWARE IS PROVIDED "AS IS", WITHOUT WARRANTY OF ANY KIND, EXPRESS OR IMPLIED, INCLUDING BUT NOT LIMITED TO THE WARRANTIES OF MERCHANTABILITY, FITNESS FOR A PARTICULAR PURPOSE AND NONINFRINGEMENT. IN NO EVENT SHALL THE AUTHORS OR COPYRIGHT HOLDERS BE LIABLE FOR ANY CLAIM, DAMAGES OR OTHER LIABILITY, WHETHER IN AN ACTION OF CONTRACT, TORT OR OTHERWISE, ARISING FROM, OUT OF OR IN CONNECTION WITH THE SOFTWARE OR THE USE OR OTHER DEALINGS IN THE SOFTWARE.

Copyright 2000 Computing Research Labs, New Mexico State University

Copyright 2001-2015 Francesco Zappa Nardelli

Permission is hereby granted, free of charge, to any person obtaining a copy of this software and associated documentation files (the "Software"), to deal in the Software without restriction, including without limitation the rights to use, copy, modify, merge, publish, distribute, sublicense, and/or sell copies of the Software, and to permit persons to whom the Software is furnished to do so, subject to the following conditions:

The above copyright notice and this permission notice shall be included in all copies or substantial portions of the Software.

THE SOFTWARE IS PROVIDED "AS IS", WITHOUT WARRANTY OF ANY KIND, EXPRESS OR IMPLIED, INCLUDING BUT NOT LIMITED TO THE WARRANTIES OF MERCHANTABILITY, FITNESS FOR A PARTICULAR PURPOSE AND NONINFRINGEMENT. IN NO EVENT SHALL THE COMPUTING RESEARCH LAB OR NEW MEXICO STATE UNIVERSITY BE LIABLE FOR ANY CLAIM, DAMAGES OR OTHER LIABILITY, WHETHER IN AN ACTION OF CONTRACT, TORT OR OTHERWISE, ARISING FROM, OUT OF OR IN CONNECTION WITH THE SOFTWARE OR THE USE OR OTHER DEALINGS IN THE SOFTWARE.

Written by Joel Sherrill <joel@OARcorp.com>.

COPYRIGHT (c) 1989-2000.

On-Line Applications Research Corporation (OAR).

Permission to use, copy, modify, and distribute this software for any purpose without fee is hereby granted, provided that this entire notice is included in all copies of any software which is or includes a copy or modification of this software.

THIS SOFTWARE IS BEING PROVIDED "AS IS", WITHOUT ANY EXPRESS OR IMPLIED WARRANTY. IN PARTICULAR, THE AUTHOR MAKES NO REPRESENTATION OR WARRANTY OF ANY KIND CONCERNING THE MERCHANTABILITY OF THIS SOFTWARE OR ITS FITNESS FOR ANY PARTICULAR PURPOSE.

(1) Red Hat Incorporated

Copyright (c) 1994-2009 Red Hat, Inc. All rights reserved.

This copyrighted material is made available to anyone wishing to use, modify, copy, or redistribute it subject to the terms and conditions of the BSD License. This program is distributed in the hope that it will be useful, but WITHOUT ANY WARRANTY expressed or implied, including the implied warranties of MERCHANTABILITY or FITNESS FOR A PARTICULAR PURPOSE. A copy of this license is available at <http://www.opensource.org/licenses>. Any Red Hat trademarks that are incorporated in the source code or documentation are not subject to the BSD License and may only be used or replicated with the express permission of Red Hat, Inc.

(2) University of California, Berkeley

Copyright (c) 1981-2000 The Regents of the University of California.

All rights reserved.

Redistribution and use in source and binary forms, with or without modification, are permitted provided that the following conditions are met:

- \* Redistributions of source code must retain the above copyright notice, this list of conditions and the following disclaimer.
- \* Redistributions in binary form must reproduce the above copyright notice, this list of conditions and the following disclaimer in the documentation and/or other materials provided with the distribution.
- \* Neither the name of the University nor the names of its contributors may be used to endorse or promote products derived from this software without specific prior written permission.

THIS SOFTWARE IS PROVIDED BY THE COPYRIGHT HOLDERS AND CONTRIBUTORS "AS IS" AND ANY EXPRESS OR IMPLIED WARRANTIES, INCLUDING, BUT NOT LIMITED TO, THE IMPLIED WARRANTIES OF MERCHANTABILITY AND FITNESS FOR A PARTICULAR PURPOSE ARE DISCLAIMED. IN NO EVENT SHALL THE COPYRIGHT OWNER OR CONTRIBUTORS BE LIABLE FOR ANY DIRECT, INDIRECT, INCIDENTAL, SPECIAL, EXEMPLARY, OR CONSEQUENTIAL DAMAGES (INCLUDING, BUT NOT LIMITED TO, PROCUREMENT OF SUBSTITUTE GOODS OR SERVICES; LOSS OF USE, DATA, OR PROFITS; OR BUSINESS INTERRUPTION) HOWEVER CAUSED AND ON ANY THEORY OF LIABILITY, WHETHER IN CONTRACT, STRICT LIABILITY, OR TORT (INCLUDING NEGLIGENCE OR OTHERWISE) ARISING IN ANY WAY OUT OF THE USE OF THIS SOFTWARE, EVEN IF ADVISED OF THE POSSIBILITY OF SUCH DAMAGE.

The FreeType Project LICENSE

-----

2006-Jan-27

Copyright 1996-2002, 2006 by

David Turner, Robert Wilhelm, and Werner Lemberg

Introduction

=====

The FreeType Project is distributed in several archive packages; some of them may contain, in addition to the FreeType font engine, various tools and contributions which rely on, or relate to, the FreeType Project.

This license applies to all files found in such packages, and which do not fall under their own explicit license. The license affects thus the FreeType font engine, the test programs, documentation and makefiles, at the very least.

This license was inspired by the BSD, Artistic, and IJG (Independent JPEG Group) licenses, which all encourage inclusion and use of free software in commercial and freeware products alike. As a consequence, its main points are that:

- o We don't promise that this software works. However, we will be interested in any kind of bug reports. ('as is' distribution)
- o You can use this software for whatever you want, in parts or full form, without having to pay us. ('royalty-free' usage)
- o You may not pretend that you wrote this software. If you use it, or only parts of it, in a program, you must acknowledge somewhere in your documentation that you have used the FreeType code. ('credits')

We specifically permit and encourage the inclusion of this software, with or without modifications, in commercial products.

We disclaim all warranties covering The FreeType Project and assume no liability related to The FreeType Project.

Finally, many people asked us for a preferred form for a credit/disclaimer to use in compliance with this license. We thus encourage you to use the following text:

""""

Portions of this software are copyright © <year> The FreeType Project (www.freetype.org). All rights reserved.

""""

Please replace <year> with the value from the FreeType version you actually use.

Legal Terms

=====

0. Definitions

-----

Throughout this license, the terms 'package', 'FreeType Project', and 'FreeType archive' refer to the set of files originally distributed by the authors (David Turner, Robert Wilhelm, and Werner Lemberg) as the 'FreeType Project', be they named as alpha, beta or final release.

`You' refers to the licensee, or person using the project, where `using' is a generic term including compiling the project's source code as well as linking it to form a `program' or `executable'.

This program is referred to as `a program using the FreeType engine'.

This license applies to all files distributed in the original FreeType Project, including all source code, binaries and documentation, unless otherwise stated in the file in its original, unmodified form as distributed in the original archive.

If you are unsure whether or not a particular file is covered by this license, you must contact us to verify this.

The FreeType Project is copyright (C) 1996-2000 by David Turner, Robert Wilhelm, and Werner Lemberg. All rights reserved except as specified below.

### 1. No Warranty

-----

THE FREETYPE PROJECT IS PROVIDED `AS IS' WITHOUT WARRANTY OF ANY KIND, EITHER EXPRESS OR IMPLIED, INCLUDING, BUT NOT LIMITED TO, WARRANTIES OF MERCHANTABILITY AND FITNESS FOR A PARTICULAR PURPOSE. IN NO EVENT WILL ANY OF THE AUTHORS OR COPYRIGHT HOLDERS BE LIABLE FOR ANY DAMAGES CAUSED BY THE USE OR THE INABILITY TO USE, OF THE FREETYPE PROJECT.

### 2. Redistribution

-----

This license grants a worldwide, royalty-free, perpetual and irrevocable right and license to use, execute, perform, compile, display, copy, create derivative works of, distribute and sublicense the FreeType Project (in both source and object code forms) and derivative works thereof for any purpose; and to authorize others to exercise some or all of the rights granted herein, subject to the following conditions:

- o Redistribution of source code must retain this license file (`FTL.TXT') unaltered; any additions, deletions or changes to the original files must be clearly indicated in accompanying documentation. The copyright notices of the unaltered, original files must be preserved in all copies of source files.

- o Redistribution in binary form must provide a disclaimer that states that the software is based in part of the work of the FreeType Team, in the distribution documentation. We also encourage you to put an URL to the FreeType web page in your documentation, though this isn't mandatory.

These conditions apply to any software derived from or based on the FreeType Project, not just the unmodified files. If you use our work, you must acknowledge us. However, no fee need be paid to us.

### 3. Advertising

-----

Neither the FreeType authors and contributors nor you shall use the name of the other for commercial, advertising, or promotional purposes without specific prior written permission.

We suggest, but do not require, that you use one or more of the following phrases to refer to this software in your documentation or advertising materials: `FreeType Project', `FreeType Engine', `FreeType library', or `FreeType Distribution'.

As you have not signed this license, you are not required to accept it. However, as the FreeType Project is copyrighted material, only this license, or another one contracted with the authors, grants you the right to use, distribute, and modify it.



Therefore, by using, distributing, or modifying the FreeType Project, you indicate that you understand and accept all the terms of this license.

#### 4. Contacts

-----

There are two mailing lists related to FreeType:

o [freetype@nongnu.org](mailto:freetype@nongnu.org)

Discusses general use and applications of FreeType, as well as future and wanted additions to the library and distribution.

If you are looking for support, start in this list if you haven't found anything to help you in the documentation.

o [freetype-devel@nongnu.org](mailto:freetype-devel@nongnu.org)

Discusses bugs, as well as engine internals, design issues, specific licenses, porting, etc.

Our home page can be found at

<http://www.freetype.org>

--- end of FTL.TXT ---

The TWAIN Toolkit is distributed as is. The developer and distributors of the TWAIN Toolkit expressly disclaim all implied, express or statutory warranties including, without limitation, the implied warranties of merchantability, noninfringement of third party rights and fitness for a particular purpose. Neither the developers nor the distributors will be liable for damages, whether direct, indirect, special, incidental, or consequential, as a result of the reproduction, modification, distribution or other use of the TWAIN Toolkit.

#### JSON for Modern C++

Copyright (c) 2013-2017 Niels Lohmann

Permission is hereby granted, free of charge, to any person obtaining a copy of this software and associated documentation files (the "Software"), to deal in the Software without restriction, including without limitation the rights to use, copy, modify, merge, publish, distribute, sublicense, and/or sell copies of the Software, and to permit persons to whom the Software is furnished to do so, subject to the following conditions:

The above copyright notice and this permission notice shall be included in all copies or substantial portions of the Software.

THE SOFTWARE IS PROVIDED "AS IS", WITHOUT WARRANTY OF ANY KIND, EXPRESS OR IMPLIED, INCLUDING BUT NOT LIMITED TO THE WARRANTIES OF MERCHANTABILITY, FITNESS FOR A PARTICULAR PURPOSE AND NONINFRINGEMENT. IN NO EVENT SHALL THE AUTHORS OR COPYRIGHT HOLDERS BE LIABLE FOR ANY CLAIM, DAMAGES OR OTHER LIABILITY, WHETHER IN AN ACTION OF CONTRACT, TORT OR OTHERWISE, ARISING FROM, OUT OF OR IN CONNECTION WITH THE SOFTWARE OR THE USE OR OTHER DEALINGS IN THE SOFTWARE.

Copyright (c) 2011 - 2015 ARM LIMITED

All rights reserved.

Redistribution and use in source and binary forms, with or without modification, are permitted provided that the following conditions are met:

- Redistributions of source code must retain the above copyright notice, this list of conditions and the following disclaimer.
- Redistributions in binary form must reproduce the above copyright notice, this list of conditions and the following disclaimer in the documentation and/or other materials provided with the distribution.
- Neither the name of ARM nor the names of its contributors may be used to endorse or promote products derived from this software without specific prior written permission.

THIS SOFTWARE IS PROVIDED BY THE COPYRIGHT HOLDERS AND CONTRIBUTORS "AS IS" AND ANY EXPRESS OR IMPLIED WARRANTIES, INCLUDING, BUT NOT LIMITED TO, THE IMPLIED WARRANTIES OF MERCHANTABILITY AND FITNESS FOR A PARTICULAR PURPOSE ARE DISCLAIMED. IN NO EVENT SHALL COPYRIGHT HOLDERS AND CONTRIBUTORS BE LIABLE FOR ANY DIRECT, INDIRECT, INCIDENTAL, SPECIAL, EXEMPLARY, OR CONSEQUENTIAL DAMAGES (INCLUDING, BUT NOT LIMITED TO, PROCUREMENT OF SUBSTITUTE GOODS OR SERVICES; LOSS OF USE, DATA, OR PROFITS; OR BUSINESS INTERRUPTION) HOWEVER CAUSED AND ON ANY THEORY OF LIABILITY, WHETHER IN CONTRACT, STRICT LIABILITY, OR TORT (INCLUDING NEGLIGENCE OR OTHERWISE) ARISING IN ANY WAY OUT OF THE USE OF THIS SOFTWARE, EVEN IF ADVISED OF THE POSSIBILITY OF SUCH DAMAGE.

Copyright (c) 2014, Kenneth MacKay

All rights reserved.

Redistribution and use in source and binary forms, with or without modification, are permitted provided that the following conditions are met:

- \* Redistributions of source code must retain the above copyright notice, this list of conditions and the following disclaimer.
- \* Redistributions in binary form must reproduce the above copyright notice, this list of conditions and the following disclaimer in the documentation and/or other materials provided with the distribution.

THIS SOFTWARE IS PROVIDED BY THE COPYRIGHT HOLDERS AND CONTRIBUTORS "AS IS" AND ANY EXPRESS OR IMPLIED WARRANTIES, INCLUDING, BUT NOT LIMITED TO, THE IMPLIED WARRANTIES OF MERCHANTABILITY AND FITNESS FOR A PARTICULAR PURPOSE ARE DISCLAIMED. IN NO EVENT SHALL THE COPYRIGHT HOLDER OR CONTRIBUTORS BE LIABLE FOR ANY DIRECT, INDIRECT, INCIDENTAL, SPECIAL, EXEMPLARY, OR CONSEQUENTIAL DAMAGES (INCLUDING, BUT NOT LIMITED TO, PROCUREMENT OF SUBSTITUTE GOODS OR SERVICES; LOSS OF USE, DATA, OR PROFITS; OR BUSINESS INTERRUPTION) HOWEVER CAUSED AND ON ANY THEORY OF LIABILITY, WHETHER IN CONTRACT, STRICT LIABILITY, OR TORT (INCLUDING NEGLIGENCE OR OTHERWISE) ARISING IN ANY WAY OUT OF THE USE OF THIS SOFTWARE, EVEN IF ADVISED OF THE POSSIBILITY OF SUCH DAMAGE.

Copyright (c) 2006, CRYPTOGRAMS by <appro@openssl.org> All rights reserved.

Redistribution and use in source and binary forms, with or without modification, are permitted provided that the following conditions are met:

- \* Redistributions of source code must retain copyright notices, this list of conditions and the following disclaimer.

\* Redistributions in binary form must reproduce the above copyright notice, this list of conditions and the following disclaimer in the documentation and/or other materials provided with the distribution.

\* Neither the name of the CRYPTOGRAMS nor the names of its copyright holder and contributors may be used to endorse or promote products derived from this software without specific prior written permission.

ALTERNATIVELY, provided that this notice is retained in full, this product may be distributed under the terms of the GNU General Public License (GPL), in which case the provisions of the GPL apply INSTEAD OF those given above.

THIS SOFTWARE IS PROVIDED BY THE COPYRIGHT HOLDER AND CONTRIBUTORS "AS IS" AND ANY EXPRESS OR IMPLIED WARRANTIES, INCLUDING, BUT NOT LIMITED TO, THE IMPLIED WARRANTIES OF MERCHANTABILITY AND FITNESS FOR A PARTICULAR PURPOSE ARE DISCLAIMED. IN NO EVENT SHALL THE COPYRIGHT OWNER OR CONTRIBUTORS BE LIABLE FOR ANY DIRECT, INDIRECT, INCIDENTAL, SPECIAL, EXEMPLARY, OR CONSEQUENTIAL DAMAGES (INCLUDING, BUT NOT LIMITED TO, PROCUREMENT OF SUBSTITUTE GOODS OR SERVICES; LOSS OF USE, DATA, OR PROFITS; OR BUSINESS INTERRUPTION) HOWEVER CAUSED AND ON ANY THEORY OF LIABILITY, WHETHER IN CONTRACT, STRICT LIABILITY, OR TORT (INCLUDING NEGLIGENCE OR OTHERWISE) ARISING IN ANY WAY OUT OF THE USE OF THIS SOFTWARE, EVEN IF ADVISED OF THE POSSIBILITY OF SUCH DAMAGE.

ISC License

Copyright (c) 2013-2017

Frank Denis <j at pureftpd dot org>

Permission to use, copy, modify, and/or distribute this software for any purpose with or without fee is hereby granted, provided that the above copyright notice and this permission notice appear in all copies.

THE SOFTWARE IS PROVIDED "AS IS" AND THE AUTHOR DISCLAIMS ALL WARRANTIES WITH REGARD TO THIS SOFTWARE INCLUDING ALL IMPLIED WARRANTIES OF MERCHANTABILITY AND FITNESS. IN NO EVENT SHALL THE AUTHOR BE LIABLE FOR ANY SPECIAL, DIRECT, INDIRECT, OR CONSEQUENTIAL DAMAGES OR ANY DAMAGES WHATSOEVER RESULTING FROM LOSS OF USE, DATA OR PROFITS, WHETHER IN AN ACTION OF CONTRACT, NEGLIGENCE OR OTHER TORTIOUS ACTION, ARISING OUT OF OR IN CONNECTION WITH THE USE OR PERFORMANCE OF THIS SOFTWARE.

Copyright (c) 2008 The NetBSD Foundation, Inc.

All rights reserved.

This code is derived from software contributed to The NetBSD Foundation by Lennart Augustsson (lennart@augustsson.net) at Carlstedt Research & Technology.

Redistribution and use in source and binary forms, with or without modification, are permitted provided that the following conditions are met:

1. Redistributions of source code must retain the above copyright notice, this list of conditions and the following disclaimer.

2. Redistributions in binary form must reproduce the above copyright notice, this list of conditions and the following disclaimer in the documentation and/or other materials provided with the distribution.

THIS SOFTWARE IS PROVIDED BY THE NETBSD FOUNDATION, INC. AND CONTRIBUTORS "AS IS" AND ANY EXPRESS OR IMPLIED WARRANTIES, INCLUDING, BUT NOT LIMITED TO, THE IMPLIED WARRANTIES OF MERCHANTABILITY AND FITNESS FOR A PARTICULAR PURPOSE ARE DISCLAIMED. IN NO EVENT SHALL THE FOUNDATION OR CONTRIBUTORS BE LIABLE FOR ANY DIRECT, INDIRECT, INCIDENTAL, SPECIAL, EXEMPLARY, OR CONSEQUENTIAL DAMAGES (INCLUDING, BUT NOT LIMITED TO, PROCUREMENT OF SUBSTITUTE GOODS OR SERVICES; LOSS OF USE, DATA, OR PROFITS; OR BUSINESS INTERRUPTION) HOWEVER CAUSED AND ON ANY THEORY OF LIABILITY, WHETHER IN CONTRACT, STRICT LIABILITY, OR TORT (INCLUDING NEGLIGENCE OR OTHERWISE) ARISING IN ANY WAY OUT OF THE USE OF THIS SOFTWARE, EVEN IF ADVISED OF THE POSSIBILITY OF SUCH DAMAGE.

Copyright (c) 2000 Intel Corporation

All rights reserved.

Redistribution and use in source and binary forms, with or without modification, are permitted provided that the following conditions are met:

- \* Redistributions of source code must retain the above copyright notice, this list of conditions and the following disclaimer.
- \* Redistributions in binary form must reproduce the above copyright notice, this list of conditions and the following disclaimer in the documentation and/or other materials provided with the distribution.
- \* Neither name of Intel Corporation nor the names of its contributors may be used to endorse or promote products derived from this software without specific prior written permission.

THIS SOFTWARE IS PROVIDED BY THE COPYRIGHT HOLDERS AND CONTRIBUTORS "AS IS" AND ANY EXPRESS OR IMPLIED WARRANTIES, INCLUDING, BUT NOT LIMITED TO, THE IMPLIED WARRANTIES OF MERCHANTABILITY AND FITNESS FOR A PARTICULAR PURPOSE ARE DISCLAIMED. IN NO EVENT SHALL INTEL OR CONTRIBUTORS BE LIABLE FOR ANY DIRECT, INDIRECT, INCIDENTAL, SPECIAL, EXEMPLARY, OR CONSEQUENTIAL DAMAGES (INCLUDING, BUT NOT LIMITED TO, PROCUREMENT OF SUBSTITUTE GOODS OR SERVICES; LOSS OF USE, DATA, OR PROFITS; OR BUSINESS INTERRUPTION) HOWEVER CAUSED AND ON ANY THEORY OF LIABILITY, WHETHER IN CONTRACT, STRICT LIABILITY, OR TORT (INCLUDING NEGLIGENCE OR OTHERWISE) ARISING IN ANY WAY OUT OF THE USE OF THIS SOFTWARE, EVEN IF ADVISED OF THE POSSIBILITY OF SUCH DAMAGE.

Lua

Copyright © 1994–2014 Lua.org, PUC-Rio.

Permission is hereby granted, free of charge, to any person obtaining a copy of this software and associated

documentation files (the "Software"), to deal in the Software without restriction, including without limitation

the rights to use, copy, modify, merge, publish, distribute, sublicense, and/or sell copies of the Software, and to permit persons to whom the Software is furnished to do so, subject to the following conditions:

The above copyright notice and this permission notice shall be included in all copies or substantial portions of the Software.

THE SOFTWARE IS PROVIDED "AS IS", WITHOUT WARRANTY OF ANY KIND, EXPRESS OR IMPLIED, INCLUDING BUT NOT LIMITED TO THE WARRANTIES OF MERCHANTABILITY, FITNESS FOR A PARTICULAR PURPOSE AND NONINFRINGEMENT. IN NO EVENT SHALL THE AUTHORS OR COPYRIGHT HOLDERS BE LIABLE FOR ANY CLAIM, DAMAGES OR OTHER LIABILITY, WHETHER IN AN ACTION OF CONTRACT, TORT OR OTHERWISE, ARISING FROM, OUT OF OR IN CONNECTION WITH THE SOFTWARE OR THE USE OR OTHER DEALINGS IN THE SOFTWARE.

#### LuaSocket

LuaSocket 2.0.2 license  
Copyright © 2004-2007 Diego Nehab

Permission is hereby granted, free of charge, to any person obtaining a copy of this software and associated documentation files (the "Software"), to deal in the Software without restriction, including without limitation the rights to use, copy, modify, merge, publish, distribute, sublicense, and/or sell copies of the Software, and to permit persons to whom the Software is furnished to do so, subject to the following conditions:

The above copyright notice and this permission notice shall be included in all copies or substantial portions of the Software.

THE SOFTWARE IS PROVIDED "AS IS", WITHOUT WARRANTY OF ANY KIND, EXPRESS OR IMPLIED, INCLUDING BUT NOT LIMITED TO THE WARRANTIES OF MERCHANTABILITY, FITNESS FOR A PARTICULAR PURPOSE AND NONINFRINGEMENT. IN NO EVENT SHALL THE AUTHORS OR COPYRIGHT HOLDERS BE LIABLE FOR ANY CLAIM, DAMAGES OR OTHER LIABILITY, WHETHER IN AN ACTION OF CONTRACT, TORT OR OTHERWISE, ARISING FROM, OUT OF OR IN CONNECTION WITH THE SOFTWARE OR THE USE OR OTHER DEALINGS IN THE SOFTWARE.

#### LuneScript

Copyright (c) 2018 ifritJP

Permission is hereby granted, free of charge, to any person obtaining a copy of this software and associated documentation files (the "Software"), to deal in the Software without restriction, including without limitation the rights to use, copy, modify, merge, publish, distribute, sublicense, and/or sell copies of the Software, and to permit persons to whom the Software is furnished to do so, subject to the following conditions:

The above copyright notice and this permission notice shall be included in all copies or substantial portions of the Software.

THE SOFTWARE IS PROVIDED "AS IS", WITHOUT WARRANTY OF ANY KIND, EXPRESS OR IMPLIED, INCLUDING BUT NOT LIMITED TO THE WARRANTIES OF MERCHANTABILITY, FITNESS FOR A PARTICULAR PURPOSE AND NONINFRINGEMENT. IN NO EVENT SHALL THE AUTHORS OR COPYRIGHT HOLDERS BE LIABLE FOR ANY CLAIM, DAMAGES OR OTHER LIABILITY, WHETHER IN AN ACTION OF CONTRACT, TORT OR OTHERWISE, ARISING FROM, OUT OF OR IN CONNECTION WITH THE SOFTWARE OR THE USE OR OTHER DEALINGS IN THE SOFTWARE.

The following applies only to products supporting Wi-Fi.

(c) 2009-2013 by Jeff Mott. All rights reserved.

Redistribution and use in source and binary forms, with or without modification, are permitted provided that the following conditions are met:

- \* Redistributions of source code must retain the above copyright notice, this list of conditions, and the following disclaimer.
- \* Redistributions in binary form must reproduce the above copyright notice, this list of conditions, and the following disclaimer in the documentation or other materials provided with the distribution.
- \* Neither the name CryptoJS nor the names of its contributors may be used to endorse or promote products derived from this software without specific prior written permission.

THIS SOFTWARE IS PROVIDED BY THE COPYRIGHT HOLDERS AND CONTRIBUTORS "AS IS," AND ANY EXPRESS OR IMPLIED WARRANTIES, INCLUDING, BUT NOT LIMITED TO, THE IMPLIED WARRANTIES OF MERCHANTABILITY AND FITNESS FOR A PARTICULAR PURPOSE, ARE DISCLAIMED. IN NO EVENT SHALL THE COPYRIGHT HOLDER OR CONTRIBUTORS BE LIABLE FOR ANY DIRECT, INDIRECT, INCIDENTAL, SPECIAL, EXEMPLARY, OR CONSEQUENTIAL DAMAGES (INCLUDING, BUT NOT LIMITED TO, PROCUREMENT OF SUBSTITUTE GOODS OR SERVICES; LOSS OF USE, DATA, OR PROFITS; OR BUSINESS INTERRUPTION) HOWEVER CAUSED AND ON ANY THEORY OF LIABILITY, WHETHER IN CONTRACT, STRICT LIABILITY, OR TORT (INCLUDING NEGLIGENCE OR OTHERWISE) ARISING IN ANY WAY OUT OF THE USE OF THIS SOFTWARE, EVEN IF ADVISED OF THE POSSIBILITY OF SUCH DAMAGE.

## **Basic Operation**

---

### ➤ **Printer Parts**

- Printer Parts
- Optional accessories

### ➤ **Printing procedure**

### ➤ **Canceling print jobs**

### ➤ **Pausing Printing**

## Printer Parts

---

### ► Printer Parts

- Front
- Back
- Top Cover (Inside)
- Carriage
- Ink Tank Cover (Inside)
- Operation Panel

### ► Optional accessories

- Stand
- Stand Parts
- Roll Unit
- Parts of the Roll Unit
- Roll Holder Set

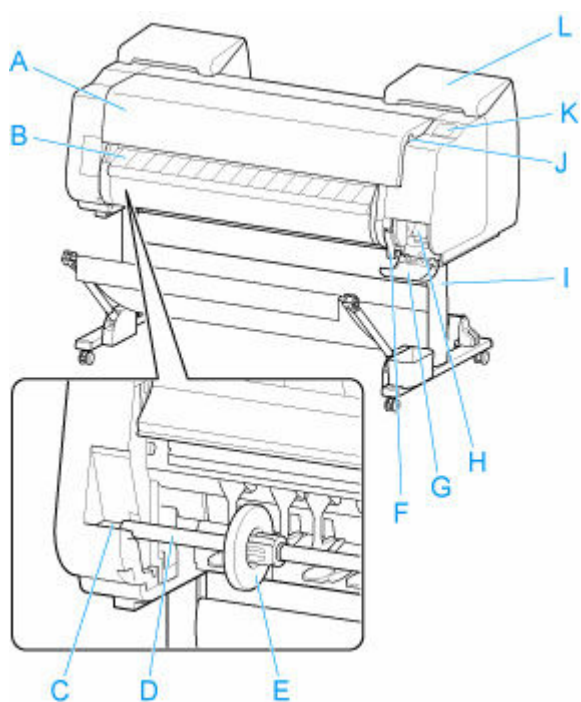


## **Printer Parts**

---

- **Front**
- **Back**
- **Top Cover (Inside)**
- **Carriage**
- **Ink Tank Cover (Inside)**
- **Operation Panel**

## Front



**(A) Top Cover**

Open this cover to install the print head, load paper, and remove any jammed paper from inside the printer as needed. (See "[Top Cover \(Inside\)](#).")

**(B) Output Guide**

Guides printed documents as they are ejected. Open this guide when loading a roll.

**(C) Roll holder Slot**

Slide the Roll Holder into this slot.

**(D) Roll Holder**

Load the roll on this holder.

**(E) Holder Stopper**

Secure the roll on the Roll Holder with this part.

**(F) Release Lever**

To release paper retainer, lift the lever.

**(G) Maintenance Cartridge Cover**

Open this cover to replace the maintenance cartridge.

**(H) Maintenance Cartridge**

Ink used for maintenance purposes such as head cleaning is absorbed. (Replace the cartridge when it is full.)

**(I) Stand**

A stand that holds the printer. Equipped with casters to facilitate moving it. (See "[Stand Parts](#).")

**(J) USB flash drive port**

Insert a USB flash drive to this port.

**(K) Touch Screen**

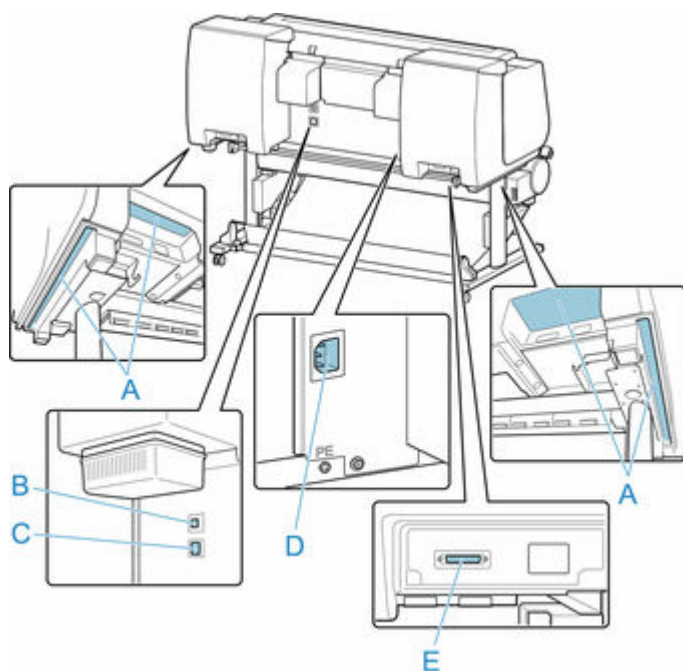
Use this screen to operate the printer and check the printer status. (See "[Operation Panel](#).")

**(L) Ink Tank Cover**

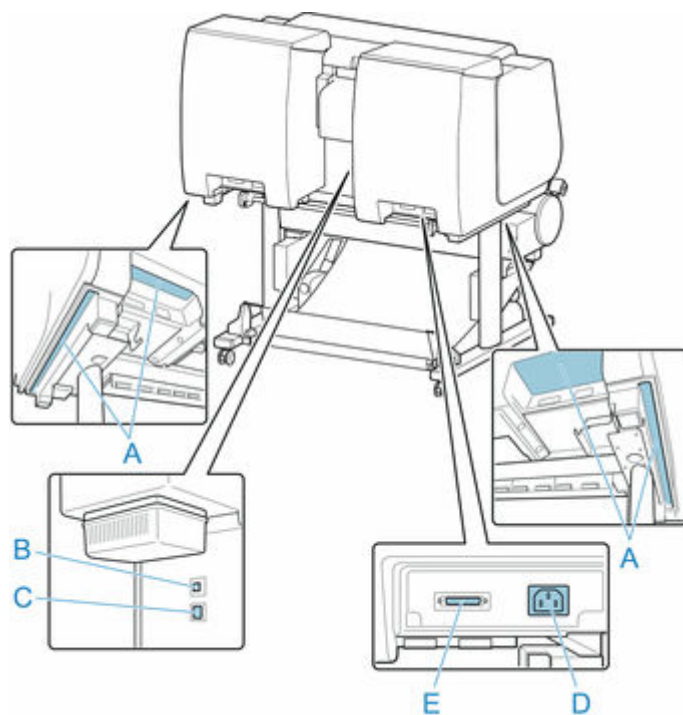
Open this cover to replace the ink tank. (See "[Ink Tank Cover \(Inside\)](#).")

## Back

- GP-4000 / GP-540



- GP-2000 / GP-520



### (A) Carrying Grips

When carrying the printer, have six people hold it by these handles under both sides.

### (B) USB Port

Connect a USB cable to this port. The printer is compatible with Hi-Speed USB connections.

**(C) Wired LAN Connector**

Connect an Ethernet cable to this port. The lamp is lit if the Ethernet cable is connected correctly and communication is possible between the computer and printer.

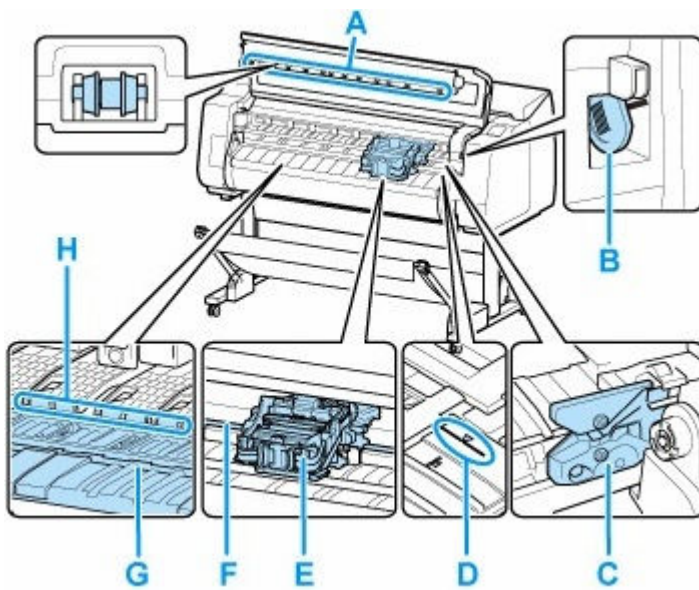
**(D) Power Cord Connector**

Connect the power cord to this connector.

**(E) Roll Unit Power Supply Inlet**

Connect the connection cord for the roll unit.

## Top Cover (Inside)



**(A) Top Cover Roller**

Prevents paper from rising when ejected.

**(B) Cleaning Brush**

When cleaning inside the printer under the top cover, use this brush to sweep away paper dust on the platen.

**(C) Cutter Blade**

A round-bladed cutter for automatic paper cutting.

**(D) Paper Alignment Line**

Align paper with this line when loading it.

**(E) Carriage**

Moves the print head. It serves a key role in printing. (See "[Carriage](#).")

**(F) Carriage Shaft**

The Carriage slides along this shaft.

**(G) Platen**

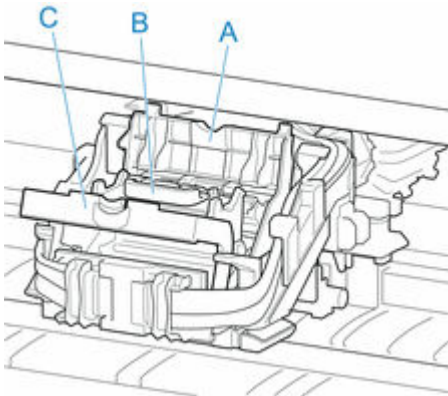
The print head moves across the platen to print. Vacuum holes on the platen hold paper in place.

**(H) Paper Retainer**

Important in supplying the paper. This retainer holds paper as it is fed.

## Carriage

---



**(A) Print Head Locking Cover**

Secures the print head.

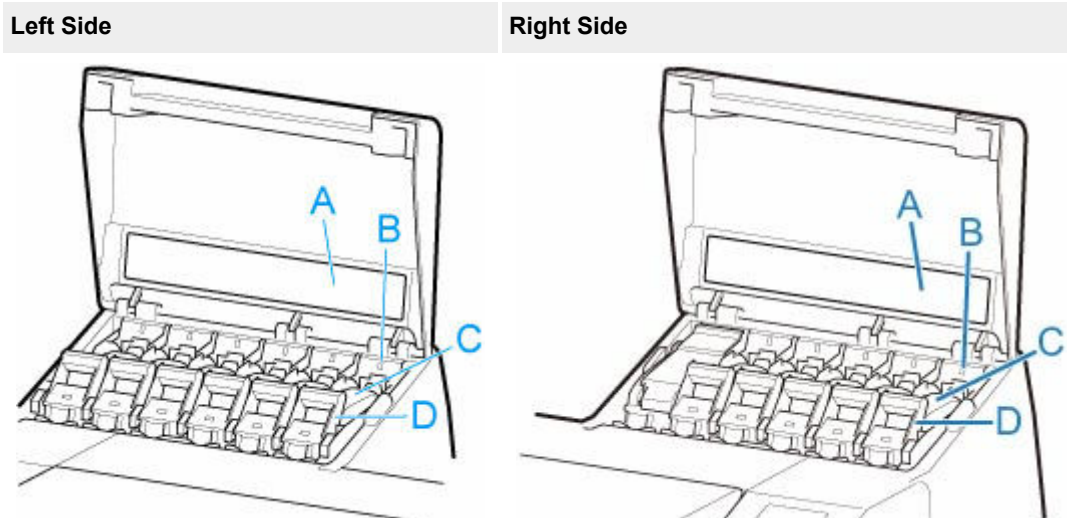
**(B) Print Head**

The print head is equipped with ink nozzles. The carriage serves a key role in printing.

**(C) Print Head Lock Lever**

Lock print head locking cover.

## Ink Tank Cover (Inside)



The figure shows the printer as loaded with a 23.7 fl oz (700 ml) ink tank.

### (A) Ink Color Label

Load an ink tank that matches the color and name on this label.

### (B) Ink Lamp (red)

Indicates the state of the ink tank as follows when the ink tank cover is opened.

- **On**

The ink tank is installed correctly.


- **Off**

No ink tank is installed, or the ink level detection function is disabled.

- **Flashing**

Ink tank is empty.

### ▶▶▶ Note

- When there is little ink left, the ink lamp is lit and  appears on the touch screen.

### (C) Ink Tank

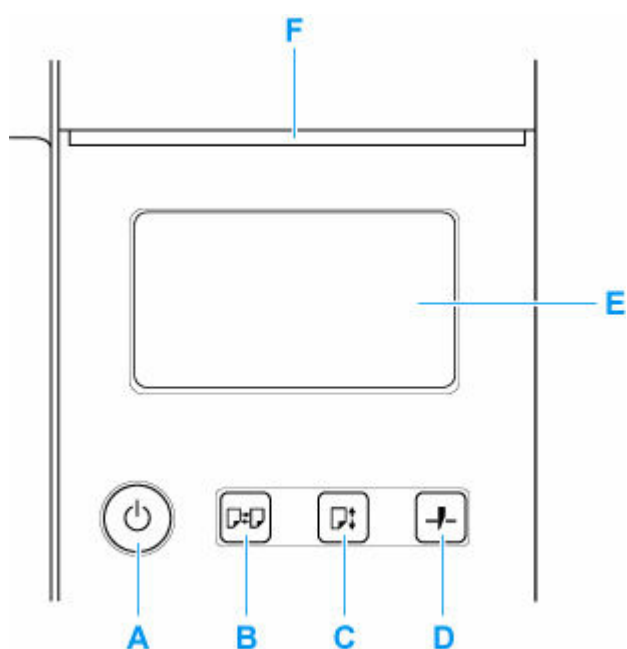
Cartridges of ink in various colors.

### (D) Ink Tank Lock Lever

A lever that locks the ink tank in place and protects it. Lift and lower the lever when replacing an ink tank. To open it, lift the stopper of the lever until it stops, and then push it down toward the front. To close it, push it down until it clicks into place.



## Operation Panel



### A: ON button / ON lamp

Turns the printer on and off.

➔ [Turning the Printer On and Off](#)

The ON lamp is lit when the printer is on or in Sleep mode.

### B: Load button

Loads the paper when it is set or replaced.

- ➔ [Loading the Upper Roll on the Printer](#)
- ➔ [Loading the Lower Roll on the Roll Unit \(Option\)](#)
- ➔ [Loading Sheets in the Printer](#)

### C: Feed button

Changes the paper position when the roll paper is loaded.

➔ [Feeding Roll Paper Manually](#)

### D: Cut button

Cuts the paper when the roll paper is loaded.

➔ [Specifying the Cutting Method for Rolls](#)

### E: Touch Screen

Shows printer menus, as well as the printer status and messages. You can select menu items and display buttons by gently touching the screen with your fingertip.

➔ [Home Screen Menu Composition](#)

### F: Status lamp

- Flashing (white)

During printing, this lamp flashes when the printer is receiving or processing print jobs. Otherwise, this lamp flashes when the print job is paused or the printer is updating the firmware.

- Lit (orange)

A warning message is displayed.

- Flashing (orange)

An error message is displayed.

- Off

There are no active print jobs, warnings, or errors.

### **Note**

- When the printer is in Sleep mode, to restore the display, press the buttons on the operation panel or touch the touch screen.
- When Operation panel lock is enabled, touch screen operations are invalid. For details on Operation panel lock, see [Changeable Setting Items Using Remote UI](#).

## **Optional accessories**

---

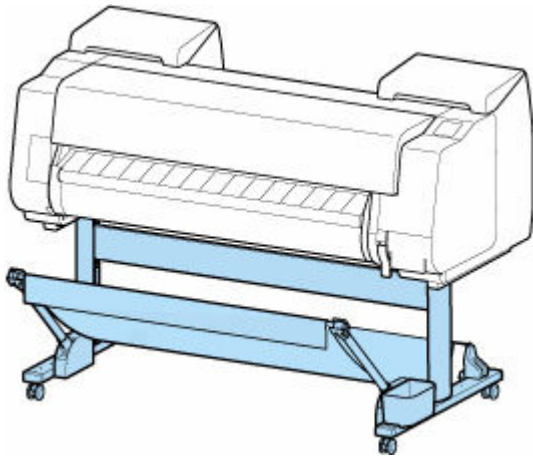
- **Stand**
- **Stand Parts**
- **Roll Unit**
- **Parts of the Roll Unit**
- **Roll Holder Set**

## Stand

The following Stand can be used with the printer.

- GP-2000 / GP-520 : Printer Stand SD-21

The GP-4000 and GP-540 models come with the stand included.



For more information on the main parts of the stand, see "[Stand Parts](#)".

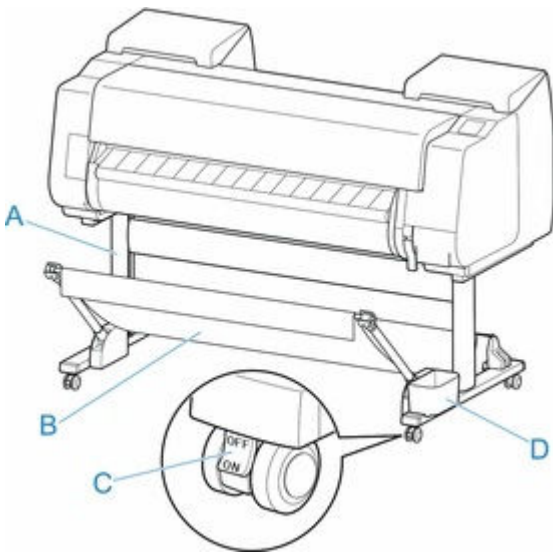
### ►► Important

- When moving the stand, be sure to set the locking caster lock to the OFF position to release the lock. If you move it while the locking caster are locked, the floor may become scratched.

### ►► Note

- For instructions on installing the stand, see the Setup Guide provided with the stand.

## Stand Parts



### (A) Stand Unit

A stand that holds the printer. Equipped with casters to facilitate moving the printer.

### (B) Basket

Catches the ejected printed documents. (See "[Parts of the Basket.](#)")

### (C) Locking Caster

A locking caster that, when the lock is in the ON position, immobilizes the printer.

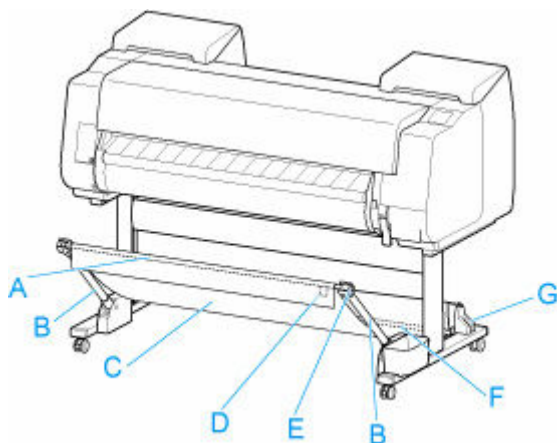
When moving the stand, be sure to set the locking caster lock to the OFF position to release the lock.

If you move it while the locking casters are locked, the floor may become scratched.

### (D) Accessory Pocket

Store printer manuals, assembly tools, and other items in this pocket.

## Parts of the Basket



### (A) Basket Rod (tag side)

Secures the cloth basket to the tips of the basket arm.

### (B) Basket Arm

Retains the basket rod (tag side).

By changing the length and the angle, you can make the basket suitable for various conditions.

**(C) Basket**

A cloth tray that catches ejected documents.

**(D) White Tag**

Marks indicating basket attachment orientation.

**(E) Basket Rewind Button**

Press this button when rewinding the basket after it has been wound on the basket rod (tag side).

**(F) Basket Rod (cord side)**

Secures the cloth basket on the rod holder.

**(G) Rod Holder**

Retains the basket rod (cord side).

For instructions on how to use the basket, see "[Using the Basket](#)" and "[Example Basket Configurations](#)".  
When not using the basket, you can lower it and store alongside of the stand. (See "[Storing the Basket](#).")

## Roll Unit

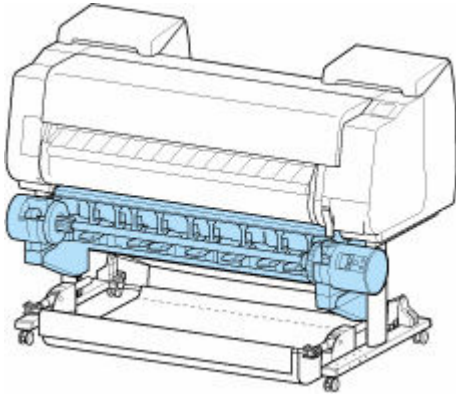
---

The roll unit functions as a feed device that can accommodate an additional roll for a total of two rolls on the printer and as a take-up device that automatically takes up the printed roll paper.

Switch between these two functions depending on the circumstances.

You can use the following roll unit with this printer.

- GP-4000 / GP-540 : Roll Unit RU-43
- GP-2000 / GP-520 : Roll Unit RU-23

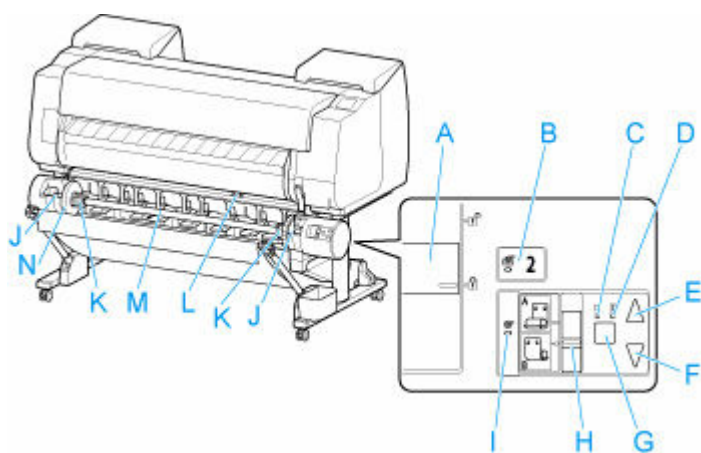


For details on the main parts of the roll unit, see "[Parts of the Roll Unit.](#)"

### ▶▶▶ Note

- For instructions on installing the roll unit, see the documentation provided with the roll unit.

## Parts of the Roll Unit



### (A) Roll Holder Lock Switch

Locks and releases the Roll Holder loaded in the roll unit.

### (B) Feed Mode Lamp

Lights up when you have selected the feed mode on the roll unit.

### (C) Auto Take-up Lamp

Lights up when the paper is being taken up.

### (D) Pause Lamp

Lights up when the paper winding is paused.

### (E) Take-up Button

You can rotate the roll unit the desired amount as long as winding is not in progress. When the winding direction is set to inward winding, the unit takes up the paper; when it is set to outward winding, the unit rewinds the paper.

### (F) Rewind Button

You can rotate the roll unit the desired amount as long as winding is not in progress. When the winding direction is set to inward winding, the unit rewinds the paper; when it is set to outward winding, the unit takes up the paper.

### (G) Auto Take-up/Pause Button

Pauses and resumes the taking up of paper.

### (H) Inward/Outward Winding Changeover Switch

Changes the winding direction when the paper is wound (inward winding and outward winding).

### (I) Take-up Mode Lamp

Lights up when you have selected the take-up mode on the roll unit.

### (J) Roll Holder Slot

Slide the Roll Holder into these guide grooves.

### (K) 3-Inch Paper Core Attachment

Attaches to the Roll Holder when you are using a roll paper with a 3-inch paper core.

### (L) Feed Flap Switch

Change the feed flap position depending on the roll unit mode.



**(M) Roll Holder**

Load the roll on this holder.

**(N) Holder Stopper**

This part secures the roll paper on the Roll Holder.

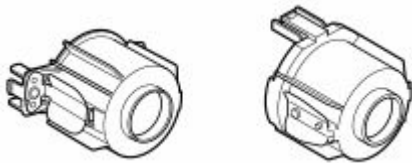
## Roll Holder Set

Load roll paper on the roll holder and then load the holder in the printer. You can use the roll holder with both 2-inch and 3-inch paper cores. However, if using 3-inch core roll paper, attach the 3-inch paper core attachment. (See "[Loading Rolls on the Roll Holder](#)").

- GP-4000 / GP-540 : Roll Holder Set RH2-46
- GP-2000 / GP-520 : Roll Holder Set RH2-29
  - Roll Holder (for 2- and 3-inch paper cores)



- 3-Inch Paper Core Attachment (×2)



## **Printing procedure**

---

- **Turning the Printer On and Off**
- **Loading and Printing on Rolls**
- **Loading and Printing on Sheets**
- **Printing in Windows**
- **Printing from macOS**

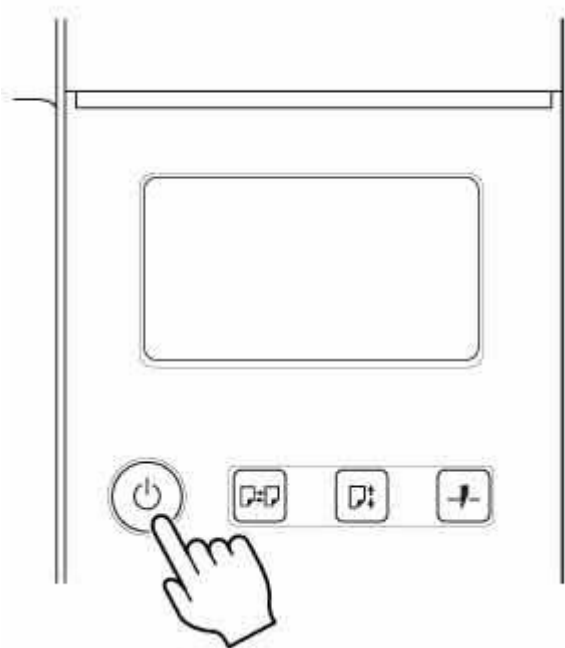
## Turning the Printer On and Off

### Turning the printer on

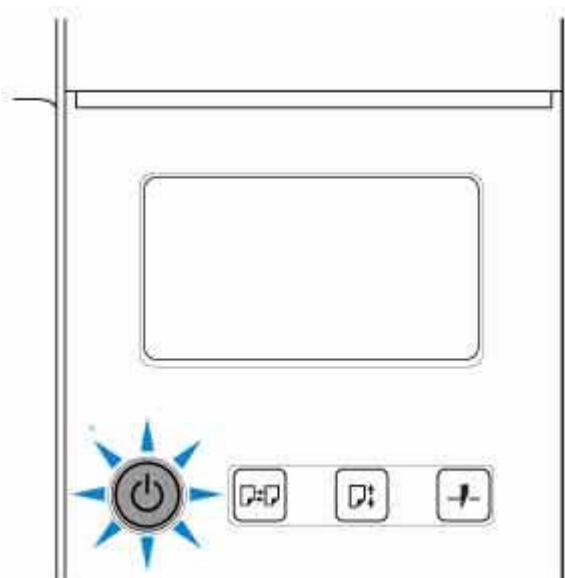
1. Press **ON** button to turn on printer.

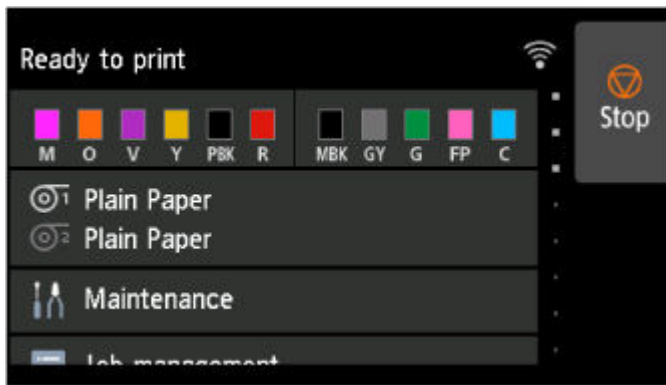
The printer will now start up.

The Canon logo appears on the touch screen, and then "**Starting the system Please wait.**" appears.



When startup is finished, **ON** button lights up, and printer enters standby mode.





The printer will not enter standby mode in the following situations. Take action as necessary.

- **The top cover is open**  
Close the top cover.
- **The ink tank cover is open**  
Close the ink tank cover.
- **The print head is not installed**  
➔ [Replacing the Print Head](#)
- **The ink tank is not installed**  
➔ [Replacing Ink Tanks](#)
- **Error appears on touch screen**  
Check the message on the touch screen and take action as necessary.
- **The ON button and Status lamp never light up, and nothing appears on the touch screen**  
Make sure the printer is plugged in correctly. Check the connection at the plug and electrical outlet.
- **No paper is loaded**  
Load paper. (See "[Loading and Printing on Rolls.](#)") (See "[Loading and Printing on Sheets.](#)")

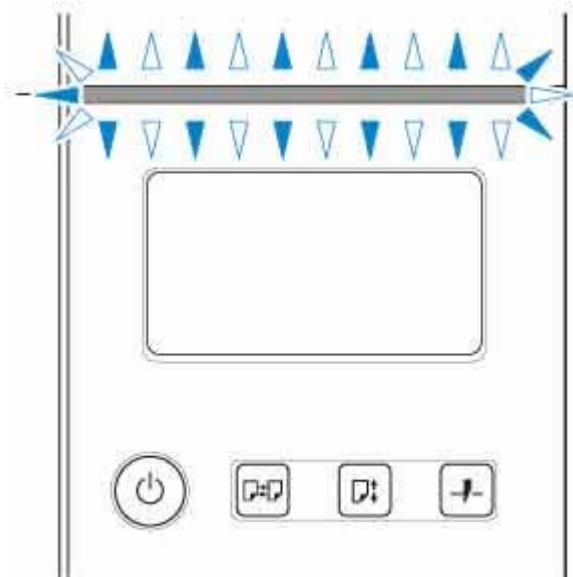
## Turning the printer off

### ▶▶ Important

- Never disconnect the printer's power supply or unplug it during a print job. This may damage the printer.

#### 1. Make sure no print jobs are in progress.

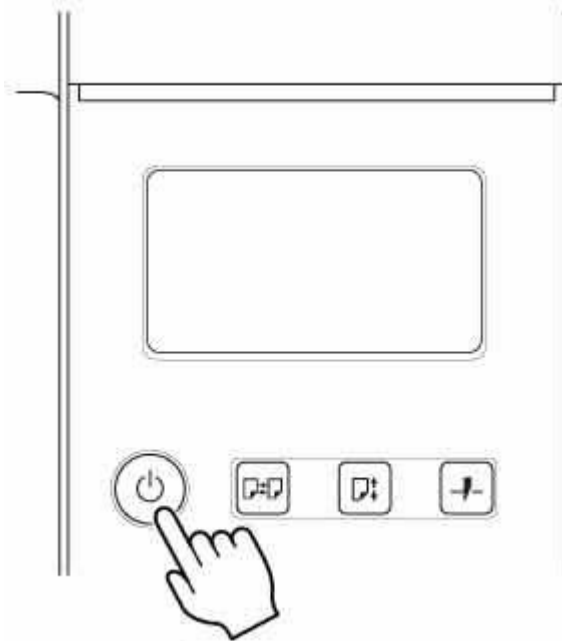
While the **Status** lamp is flashing, the printer is running. The color of the lamp indicates the following states.



If the **Status** lamp is flashing orange, check the message on the touch screen and take action as necessary.

If the **Status** lamp is flashing white, the printer is receiving a print job. Turn off the printer after printing is finished.

2. Hold down the **ON** button for more than a second.



"Turning off... Please wait momentarily" appears on the touch screen, and the printer turns off.

## Loading and Printing on Rolls

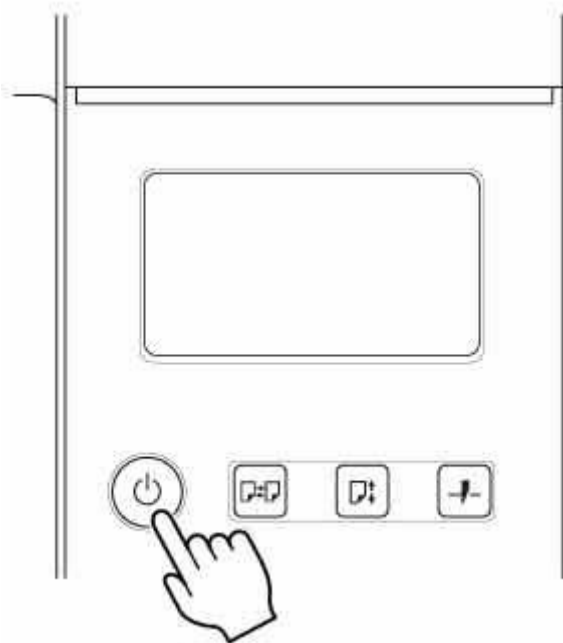
These are the basic steps for loading and printing on rolls.

Follow these steps to load and print on rolls.

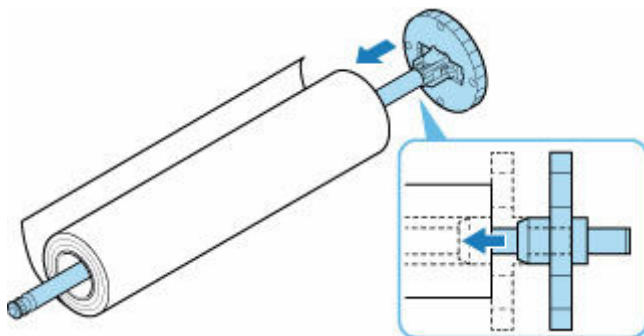
### ▶▶▶ Note

- For details on roll paper sizes and types that can be used, see "[Paper Sizes](#)" or "Paper Information List".
- To wait until the ink dries after printing before cutting the roll, set Drying Time in the printer driver. (See "[Specifying the Ink Drying Time.](#)")
- Once you have used all the paper on a roll, clean the platen. If the platen inside the top cover becomes dirty, it may soil the underside of paper. (See "[Cleaning Inside the Top Cover.](#)")

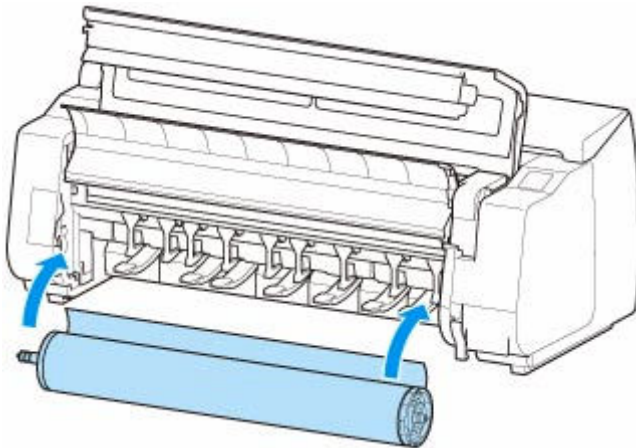
1. Turn the printer on. (See "[Turning the Printer On and Off.](#)")



2. Load a roll on the Roll Holder. (See "[Loading Rolls on the Roll Holder.](#)")



3. Load roll paper in printer or roll unit. (See "[Loading the Upper Roll on the Printer.](#)") (See "[Loading the Lower Roll on the Roll Unit \(Option\).](#)")



4. Select the type of paper. (See "[Changing the Type of Paper.](#)")

▶▶▶ **Note**

- If no barcode has been printed on the roll paper and you have set **Manage remaining roll amount** to **Barcodes**, specify the roll length after selecting the media type. (See "[Specifying the Paper Length.](#)")

5. Complete settings in the printer driver for the type of paper and other details.

- ➔ How to Open the Printer Driver Setup Window (Windows)
- ➔ [How to Open the Printer Driver Setup Dialog](#) (macOS)

6. Send the print job.

- ➔ [Printing in Windows](#)
- ➔ [Printing from macOS](#)

The printer now starts printing the print job.



## Loading and Printing on Sheets

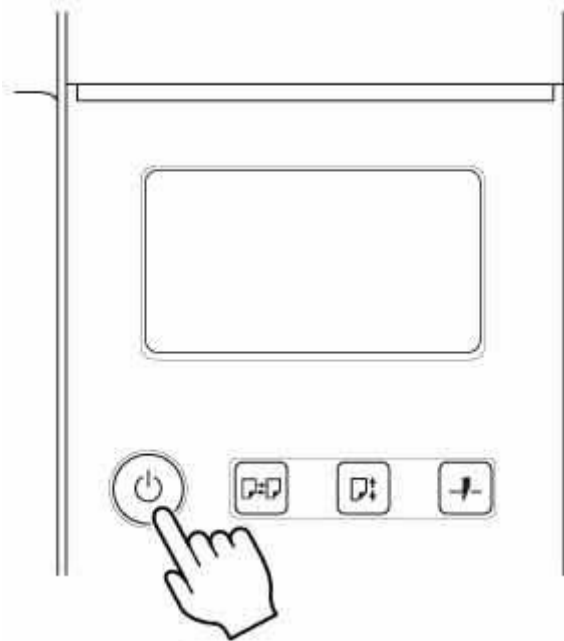
These are the basic steps for loading sheets and then printing.

Follow the steps below to load and print on sheets.

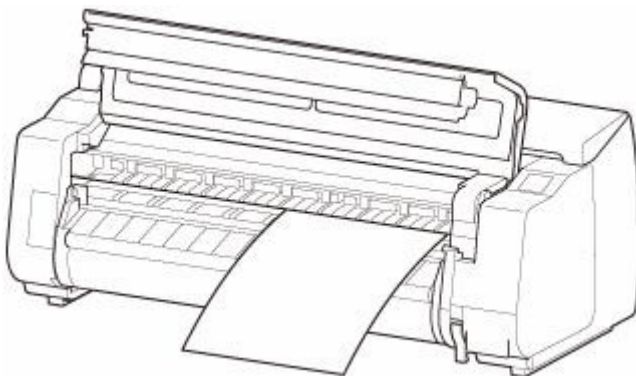
### ▶▶▶ Note

- For details on paper sizes and types that can be loaded, see "[Paper Sizes](#)" or "Paper Information List".
- Borderless printing is not supported on sheets.

1. Turn the printer on. (See "[Turning the Printer On and Off.](#)")



2. Load the sheet. (See "[Loading Sheets in the Printer.](#)")



3. Complete settings in the printer driver for the type of paper and other details.

- ➔ How to Open the Printer Driver Setup Window (Windows)
- ➔ [How to Open the Printer Driver Setup Dialog](#) (macOS)

**4. Send the print job.**

➡ [Printing in Windows](#)

➡ [Printing from macOS](#)

Start printing.

## Printing in Windows

Print from the application menu.

### »» Important

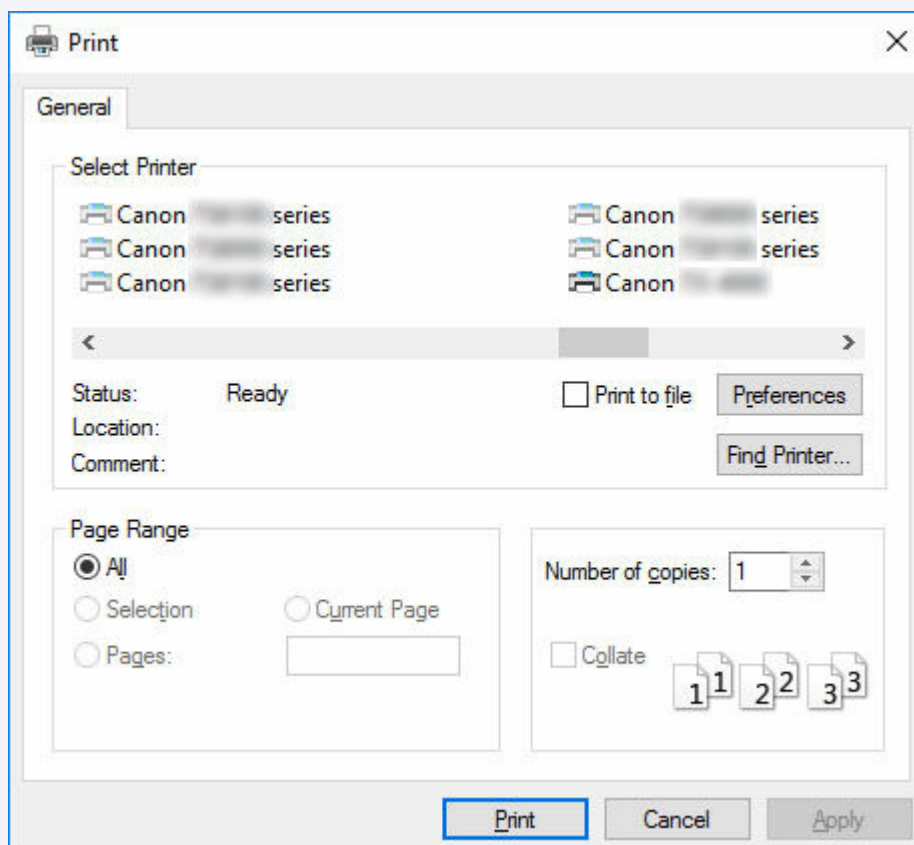
- We recommend exiting unnecessary applications before printing. Running several applications while printing may interrupt the transfer of print data and affect printing quality.

1. In the source application, select **Print** from the **File** menu to display the dialog box for printing conditions.
2. After confirming that the printer is selected in the dialog box, click **Print** or **OK** to start printing.

### »» Note

- The appearance of the dialog box varies depending on the software application. In most cases, the dialog box includes basic printing options and enables you to choose the printer, specify the range of pages, number of copies, and so on.

Example: Print dialog box displayed by the application



- If another printer is selected, select the printer you want to use under **Select Printer** or in the dialog box displayed after clicking **Printer**.

You can use the printer driver dialog box to configure various printing settings such as for enlarged or reduced printing and borderless printing. You can open the printer driver dialog box from the application software or from the operating system menu. For details, see "How to Open the Printer Driver Setup Window" (Windows) or "[How to Open the Printer Driver Setup Dialog](#)" (macOS).

## Printing from macOS

Print from the application menu after registering the printer.

### »» Important

- We recommend exiting unnecessary applications before printing. Running several applications while printing may interrupt the transfer of print data and affect printing quality.

## Registering the printer

The printer needs to be registered in **Print & Scan** (identified as Printers & Scanners or **Print & Fax** in other versions of macOS X) in **System Preferences** before printing.

For instructions on registering printers, see "[Sharing the Printer on a Network \(macOS\)](#)."

### »» Important

- During this setup process, the printer will not be listed among available printers if it is off or disconnected.

## Printing from the application software

1. In the application software, select **Print** from the **File** menu to display the dialog box for printing conditions.

### »» Note

- This dialog box includes basic printing options and enables you to choose the printer, specify the range of pages, number of copies, and so on.

➡ [Print Dialog](#) (macOS)

2. Select the printer in the **Printer** list.

3. Click **Print** to start printing.

You can make various settings from the print dialog box pop-up menu to change the printing method, including enlarged and reduced printing, and borderless printing.

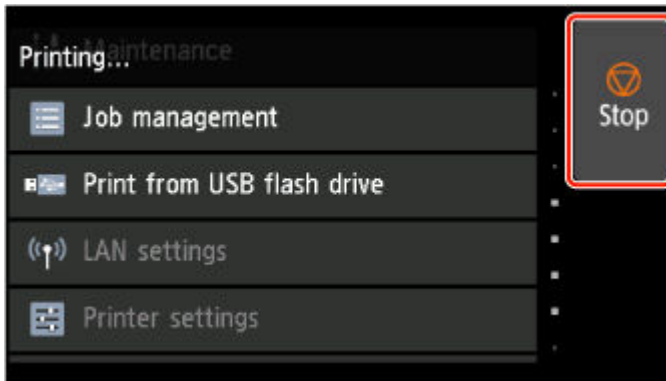
## **Canceling print jobs**

---

- **Canceling Print Jobs from the Control Panel**
- **Canceling Print Jobs from Windows**
- **Canceling Print Jobs from macOS**

## Canceling Print Jobs from the Control Panel

To cancel printing or reception of print jobs, press the **Stop** button on the operation panel.



When you press the **Stop** button during printing, the printer operation varies depending on the current status.

- **You press the Stop button before printing starts**

Pressing the **Stop** button before printing starts displays a confirmation message. To cancel the print job, select **Yes**.

- **You press the Stop button during printing**

Pressing the **Stop** button during printing displays a confirmation message. To cancel the print job immediately, select **Yes**.

## Canceling Print Jobs from Windows

In the printer window, you can cancel jobs that are being sent to the printer.

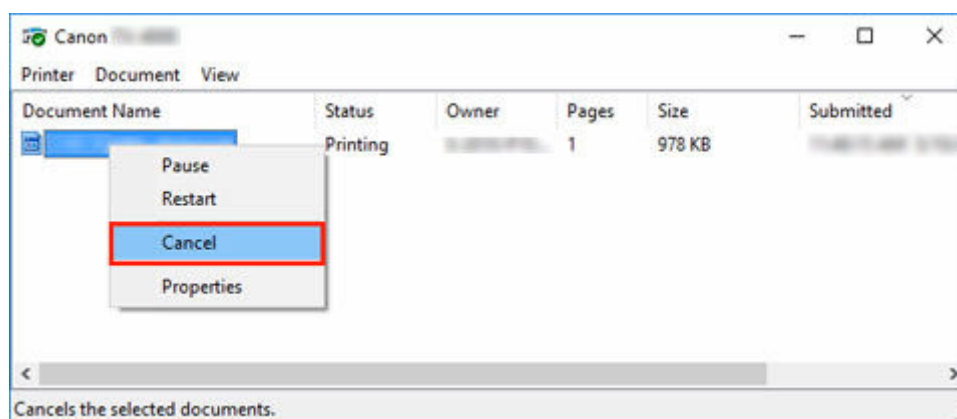
Using Canon IJ Status Monitor, you can cancel print jobs that have already been received by the printer or that are currently being printed.

1. Click the printer icon in the taskbar to display the printer window.

### ▶▶▶ Note

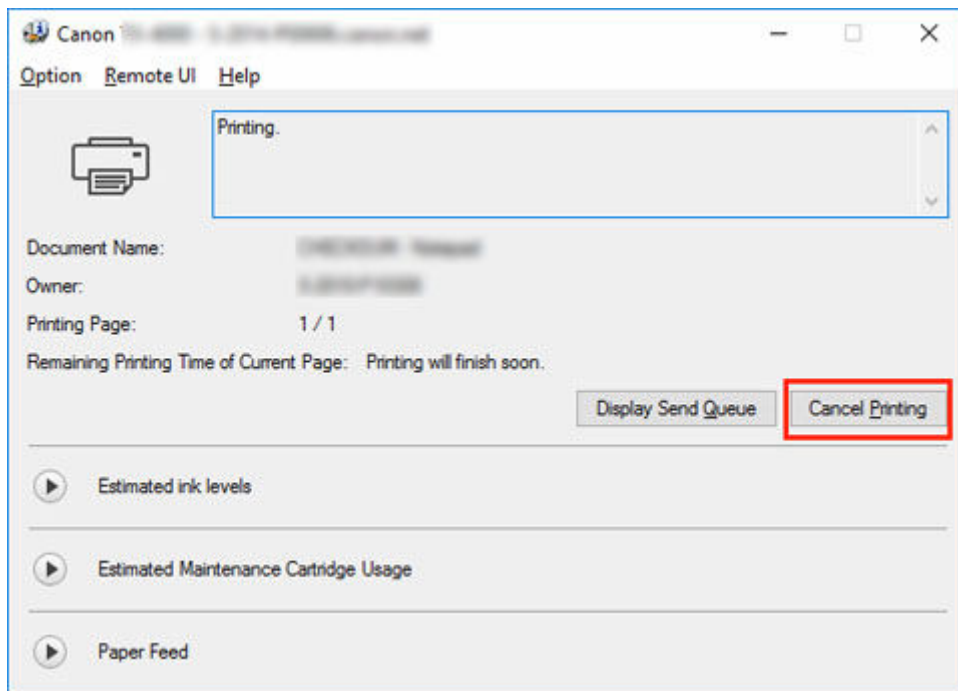
- You can proceed from the folder for configuring the printer settings in the OS you are using.  
For example, in Windows 7, open the **Devices and Printers** window from the **start** menu and double-click the printer icon.

2. Right-click the job to cancel and select **Cancel**.



3. If job to be canceled is not shown in printer window (that is, if print data has already been received by printer), click taskbar icon to display Canon IJ Status Monitor.
4. Click **Cancel Printing**.





### ▶▶▶ Note

- The screen may differ slightly depending on the model you are using.

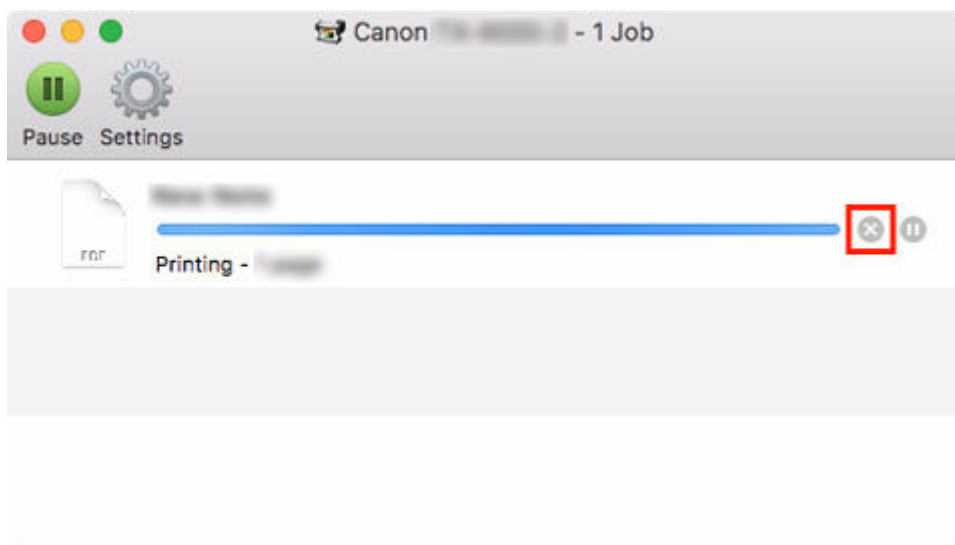
## Canceling Print Jobs from macOS

In the printer window, you can cancel jobs that are being sent to the printer.

### ▶▶▶ Note

- Print jobs are shown in the printer window while they are being sent from the computer. After transmission, jobs are not displayed even during printing.

1. Click the printer icon in the **Dock** to display the printer window.
2. Either click ✕ for the job to cancel printing or select the job to cancel printing and then click **Delete** to delete the job.



### ▶▶▶ Note

- If the job to be canceled is not shown in the printer window (that is, if the print data has already been received by the printer), you can cancel printing from the operation panel on the printer or from RemoteUI. For details, "[Canceling Print Jobs from the Control Panel](#)" or see "[Deleting Print Jobs](#)."

## Pausing Printing

---

- ▶ Pausing Printing

## Pausing Printing

During printing, if you set **Pause printing** to **Enable**, the printer enters a state in which printing is paused, after the completion of the printing process when this setting was made.

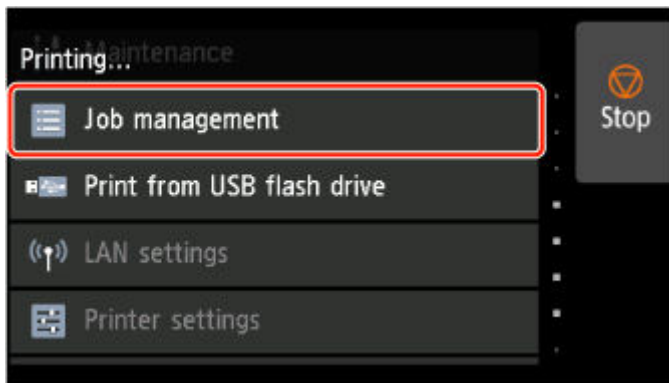
In this state, all printing is not executed.

To restore normal operation after pausing printing, set **Pause printing** to **Disable**.

### »» Note

- In the following cases, the status is cleared even if you do not set **Pause printing** to **Disable**.
  - When paper is advanced
  - If you changed the media type from the paper settings display area

1. Tap **Job management** on Home screen during printing.



### »» Note

- If the Home screen does not appear, tap the **HOME** button.

2. Tap **Pause printing**.

3. Tap **Enable** or **Disable**.

## Handling and Use of Paper

---

### ► Paper

- Types of Paper
- Paper Sizes
- Using Paper Other Than Genuine Paper and feed confirmed Paper
  - Printing on Paper Other Than Genuine Paper and feed confirmed Paper Using Existing Settings
  - Printing on Paper Other Than Genuine Paper and feed confirmed Paper by Adding a Media Type
- Paper Information List
- Updating paper information

### ► Handling rolls

- Loading Rolls on the Roll Holder
- Loading the Upper Roll on the Printer
- Loading the Lower Roll on the Roll Unit (Option)
- Changing the Type of Paper
- Specifying the Paper Length
- Removing the Upper Roll from the Printer
- Removing the Lower Roll from the Roll Unit (Option)
- Removing Rolls From the Roll Holder
- Remove Jammed Roll Paper
- Feeding Roll Paper Manually
- Keeping Track of the Amount of Roll Paper Left
- Specifying the Amount of Extension for Borderless Printing
- Specifying the Ink Drying Time
- Specifying the Cutting Method for Rolls
- Cutting the Leading Edge of Roll Paper Automatically
- Reducing Dust from Cutting Rolls

- Automatically Switch Rolls

➤ **Handling sheets**

- Loading Sheets in the Printer
- Changing the Type of Paper
- Printing From a Desired Starting Point
- Removing Sheets
- Remove a Jammed Sheet
- Specifying the Ink Drying Time

➤ **Basket**

- Using the Basket
- Example Basket Configurations
- Storing the Basket

➤ **Roll Unit**

- Switching Roll Unit Modes
- Using the Roll Unit In Take-Up Mode
- Removing Printed Paper from the Roll Unit

➤ **Adding/Editing Media Information**

## **Paper**

---

- **Types of Paper**
- **Paper Sizes**
- **Using Paper Other Than Genuine Paper and feed confirmed Paper**
  - **Printing on Paper Other Than Genuine Paper and feed confirmed Paper Using Existing Settings**
  - **Printing on Paper Other Than Genuine Paper and feed confirmed Paper by Adding a Media Type**
- **Paper Information List**
- **Updating paper information**

## Types of Paper

The following media types are supported by the printer. For details on the media types supported by the printer, see "Paper Information List."

- Plain Paper
- Coated Paper
- Photo Paper
- Glossy Paper
- Proofing Paper
- CAD-dedicated Paper Etc.

The Paper Information List includes the following information.

- Types of paper
- Paper handling
- Paper product specifications
- Use precautions
- Setting of printer driver, control panel etc.

### ▶▶▶ Note

- For instructions on using paper not included in the Paper Information List, see "[Using Paper Other Than Genuine Paper and feed confirmed Paper.](#)"

### • Method of Updating Supported Paper

Paper that is supported by the printer may be newly released on the Canon website.

To use newly released paper, register the latest paper information on the printer with the Media Configuration Tool. (See "[Updating paper information.](#)")

### ▶▶▶ Important

- Even if you are not using the printer driver, you should install the Media Configuration Tool in order to register the media types for your region in the printer.
  - ➡ Media Configuration Tool Guide



## Paper Sizes

### Rolls

Rolls that meet the following conditions are supported.

- Outer diameter is 6.7 inches (170 mm) or less
- Inner diameter of paper core: 2 or 3 inches
- Printing side out

<b>Roll Paper Width</b>	GP-4000 / GP-540 : 44.02 in. (1118.0 mm) to 6.00 in. (152.4 mm) GP-2000 / GP-520 : 24.02 in. (610.0 mm) to 6.00 in. (152.4 mm)
<b>Roll paper width recommended for borderless printing(*1,*2)</b>	<b>44 in Roll (1117.6mm)</b> <b>42 in Roll (1066.8mm)</b> <b>B0/B1 Roll (1030.0mm)</b> <b>36 in Roll (914.4mm)</b> <b>A0/A1 Roll (841.0mm)</b> <b>B1/B2 Roll (728.0mm)</b> <b>24 in Roll (609.6mm)</b> <b>A1/A2 Roll (594.0mm)</b> <b>B2/B3 Roll (515.0mm)</b> <b>17 in Roll (431.8mm)</b> <b>14 in Roll (355.6mm)</b> <b>10 in Roll (254.0mm)</b>
<b>Minimum Paper Length</b>	4.00 in. (101.6 mm) Excludes cloth/canvas paper.
<b>Maximum Printable Length</b>	59 feet (18 m) depends on the OS and application.
<b>Thickness</b>	3 mil (0.07 mm) to 31 mil (0.8 mm)

\*1:Borderless printing may not be available depending on the media type. For details on media types that can be used for borderless printing, see "Paper Information List."

\*2:You can perform borderless printing without specifying **Roll paper width** recommended for it. As opposed to standard borderless printing, there will be a small margin on the left and right because the paper width is set a little bit smaller than the width of the document.

### Sheets

Sheets of the following sizes are supported.

<b>Sheet Width</b>	GP-4000 / GP-540 : 44.02 in. (1118.0 mm) to 6.00 in. (152.4 mm) GP-2000 / GP-520 : 24.02 in. (610.0 mm) to 6.00 in. (152.4 mm)
--------------------	---

<b>Minimum Paper Length</b>	8.00 in. (203.2 mm)
<b>Maximum Printable Length</b>	5.2 feet (1.6 m)
<b>Thickness</b>	3 mil (0.07 mm) to 31 mil (0.8 mm)

**»» Note**

- For details on non-standard sizes, see "Setting Paper Dimensions (Custom Size)" (Windows) or "[Setting Paper Dimensions \(Custom Size\)](#)" (macOS).
- Borderless printing is not supported on sheets.

## Using Paper Other Than Genuine Paper and feed confirmed Paper

When using this printer to print on paper other than genuine Canon paper and feed confirmed paper, use paper that meets the following conditions.

### ▶▶▶ Note

- For Canon genuine paper/feed confirmed paper, see "Paper Information List."
- Paper where the size is described in "Paper Sizes" (See "[Paper Sizes.](#)")
- Paper where bleeding and ink overflow does not occur when printing
- Paper that does not warp severely when loading the paper or printing

### ▶▶▶ Important

- If you use paper other than Canon genuine paper and feed confirmed paper, Canon provides absolutely no guarantees regarding print quality or paper feed properties. For Canon genuine paper/feed confirmed paper, see "Paper Information List."

After loading the paper in the printer, select the media type in the control panel and printer driver and then perform the printing. For the media type, you can select easily from existing settings or you can create and use settings for the paper you are using.

## Printing Using Existing Settings

You can print easily by selecting from existing settings provided in the printer control panel and printer driver. (See "[Printing on Paper Other Than Genuine Paper and feed confirmed Paper Using Existing Settings.](#)")

## Printing Using Additional Settings

You can use the Media Configuration Tool function for adding custom paper to create settings suitable for non-Canon genuine paper/feed confirmed paper and add as a new media type to the printer's Control Panel and the printer driver for printing. (See "[Printing on Paper Other Than Genuine Paper and feed confirmed Paper by Adding a Media Type.](#)")

## Printing on Paper Other Than Genuine Paper and feed confirmed Paper Using Existing Settings

You can easily print on paper other than genuine Canon paper and feed confirmed paper without making complicated settings by selecting the existing settings provided in the printer control panel and printer driver depending on the media type you are using. The existing settings consist of general-purpose paper settings provided for different media types.

### ▶▶▶ Important

- The Canon genuine paper settings provided in the printer control panel and printer driver are optimized for Canon genuine paper. If these settings are selected for printing on paper other than Canon genuine paper, the ink may bleed or the print head may rub against the paper. To easily print on paper other than Canon genuine paper and feed confirmed paper, we recommend that you select one of the following general-purpose paper settings.

### ▶▶▶ Note

- For an overview of the media types, see "[Types of Paper](#)."
- For instructions on selecting the media type with the control panel, see "[Types of Paper](#)". For instructions on selecting the media type with the printer driver, see "How to Open the Printer Driver Setup Window" (Windows) or "[How to Open the Printer Driver Setup Dialog](#)" (macOS).

## Choosing General-Purpose Paper Settings

These settings anticipate a wide variety of paper other than Canon genuine paper and feed confirmed paper, and, therefore, these settings make it difficult for bleeding ink and print head rubbing to occur. For details on the relationships between the conditions of paper other than Canon genuine paper and feed confirmed paper and the media type to select, see "Paper Information List."

### ▶▶▶ Note

- If you cannot obtain the desired results by selecting the general-purpose paper settings, use the custom paper adding function in Media Configuration Tool to create settings suitable for the paper you are using. For details, see "[Printing on Paper Other Than Genuine Paper and feed confirmed Paper by Adding a Media Type](#)."

## Printing on Paper Other Than Genuine Paper and feed confirmed Paper by Adding a Media Type

Media Configuration Tool provides a function for adding custom paper for better print quality and improved paper feed properties when printing on paper other than Canon genuine paper/feed confirmed paper than when printing with general-purpose settings. You can use this function to configure settings such as the amount of ink used and the height of the print head according to the characteristics of the paper being used, and thereby realize higher print quality. Also, you can add the settings created with this function as a new media type to the printer control panel and printer driver.

For details on Media Configuration Tool, refer as follows.

➡ Media Configuration Tool Guide

### ▶▶ Important

- For details on how to select the added media type in the control panel, see "[Changing the Type of Paper.](#)"
- You can select the media type to be used in printing from **Media Type** in the **Main** sheet (Windows) or **Quality & Media** (macOS) in the printer driver. For details, see "Main Tab Description" (Windows) or "[Quality & Media](#)" (macOS).
- We recommend that you use an ICC profile created using commercially available profile creation software to perform color management accurately on paper other than Canon genuine paper and feed confirmed paper. You can register the ICC profile you created when creating a custom paper with Media Configuration Tool. See "Adding Custom Paper" in Media Configuration Tool Guide.

## Updating paper information

---

You can update the printer's media information to the latest information by applying the latest version of the Media Information File.

For details on the procedure for applying the Media Information File, refer to the following.

➔ [Media Configuration Tool Guide](#)

### »» Important

- If you are using the Media Configuration Tool, the new Media Information File is downloaded automatically when released on the Canon website. A computer connected to the Internet is required to download the Media Information File.

## **Handling rolls**

---

- **Loading Rolls on the Roll Holder**
- **Loading the Upper Roll on the Printer**
- **Loading the Lower Roll on the Roll Unit (Option)**
- **Changing the Type of Paper**
- **Specifying the Paper Length**
- **Removing the Upper Roll from the Printer**
- **Removing the Lower Roll from the Roll Unit (Option)**
- **Removing Rolls From the Roll Holder**
- **Remove Jammed Roll Paper**
- **Feeding Roll Paper Manually**
- **Keeping Track of the Amount of Roll Paper Left**
- **Specifying the Amount of Extension for Borderless Printing**
- **Specifying the Ink Drying Time**
- **Specifying the Cutting Method for Rolls**
- **Cutting the Leading Edge of Roll Paper Automatically**
- **Reducing Dust from Cutting Rolls**
- **Automatically Switch Rolls**

## Loading Rolls on the Roll Holder

When printing on roll paper, attach the roll paper to the Roll Holder.

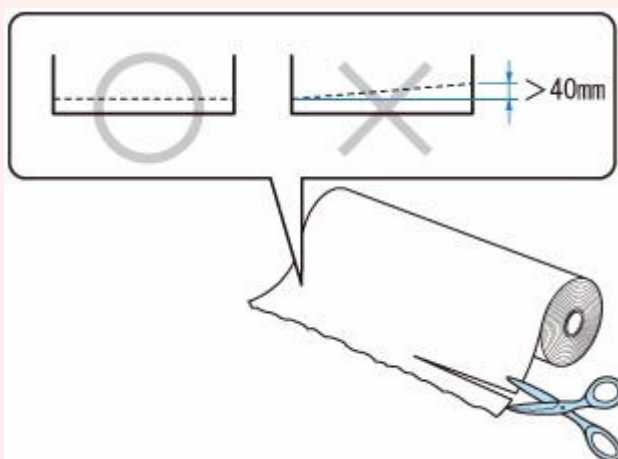
Roll paper comes in two types: 2-inch and 3-inch cores. If using 3-inch core roll paper, attach the 3-Inch Paper Core Attachment to the Roll Holder and holder stopper.

### ⚠ Caution

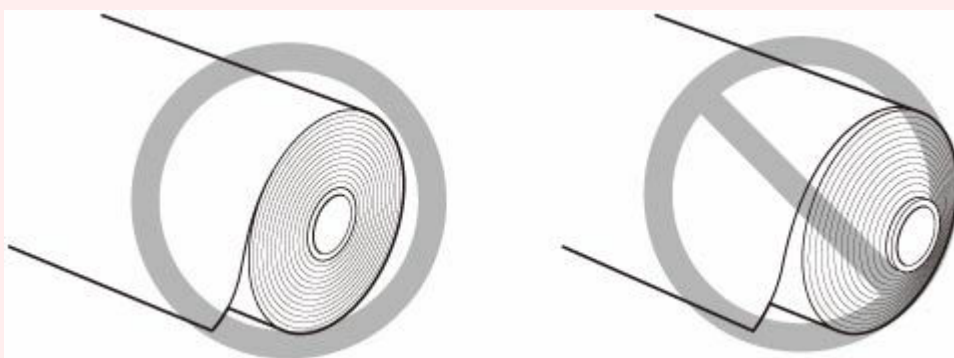
- Set the roll on its side on a table or other flat surface so that it does not roll or fall. Rolls are heavy, and dropping a roll may cause injury.

### ➤➤➤ Important

- When handling the roll, be careful not to soil the printing surface. This may affect the printing quality. We recommend wearing clean cloth gloves when handling rolls to protect the printing surface.
- Cut the edge of the roll paper if it is uneven, dirty, or has tape residue. Otherwise, it may cause feeding problems and affect the printing quality. Be careful not to cut through any barcodes printed on the roll.



- Align the edges of the paper on both ends of the roll. This may cause feeding problems.

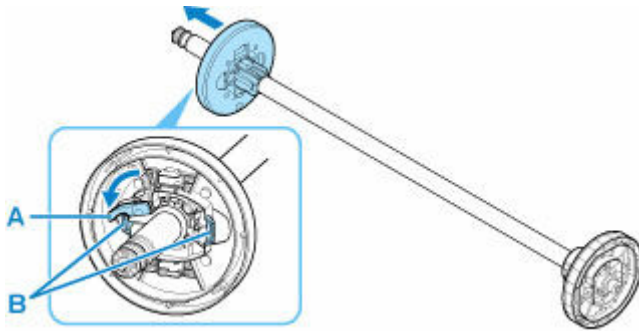


### ➤➤➤ Note

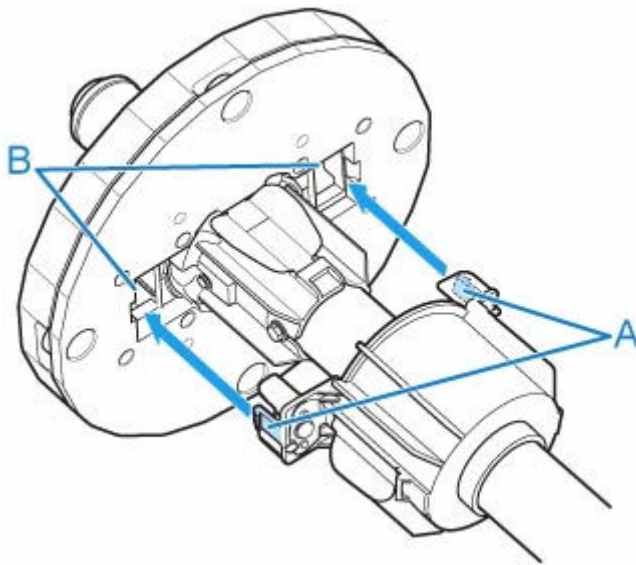
- For details on roll paper sizes and types that can be used, see "[Paper Sizes](#)" or "Paper Information List".



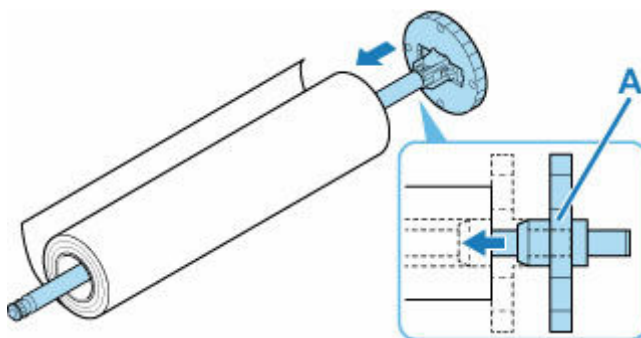
1. Rotate the holder stopper lever (A) towards  to release the lock, and while holding it in position (B), remove holder stopper from the roll holder.



2. If using 3-inch core paper, align 3-Inch Paper Core Attachment tabs (A) with Roll Holder holes (B) and insert firmly.



3. With leading edge of roll paper facing forward as shown, insert Roll Holder from right side of roll. Insert firmly until roll paper touches flange (A) of Roll Holder.

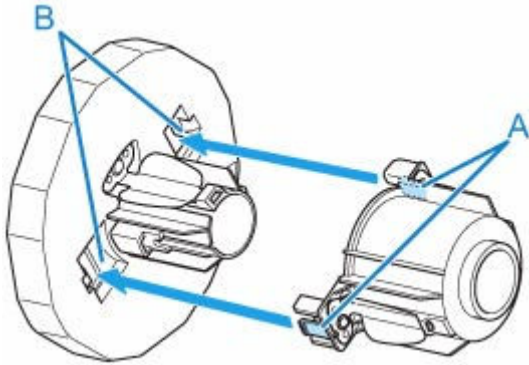



**»» Important**

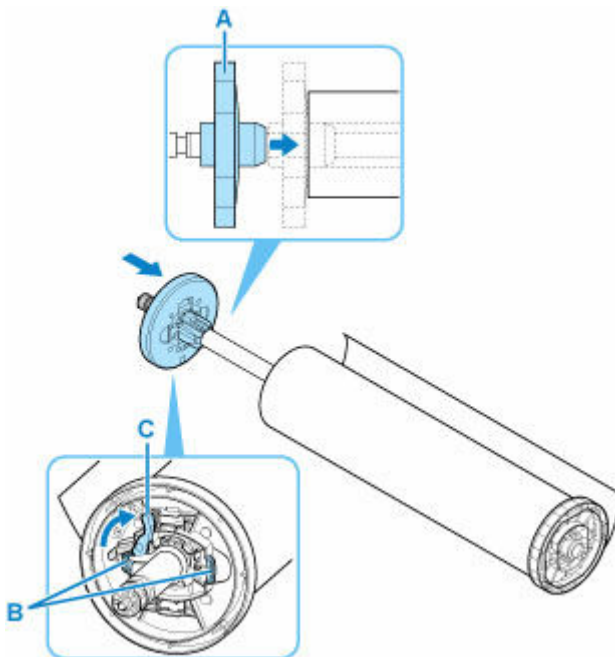
- When loading a roll, be careful to avoid hitting the printer hard with the roll. This may damage the Roll Holder.

- If you stand the roll holder vertically and set the roll paper by dropping, the roll holder may be damaged.

4. If using 3-inch core paper, align 3-Inch Paper Core Attachment tabs (A) with holder stopper holes (B) and insert firmly.



5. Insert holder stopper from left into roll holder as shown, and then while holding in position (B), push firmly until holder stopper flange (A) touches roll paper. Lock the holder stopper lever (C) by rotating it towards .



## Loading the Upper Roll on the Printer

Follow these steps to load rolls in the printer.

When selecting **Enable** in **Roll paper auto feed**, the roll paper is fed automatically by simply loading it.

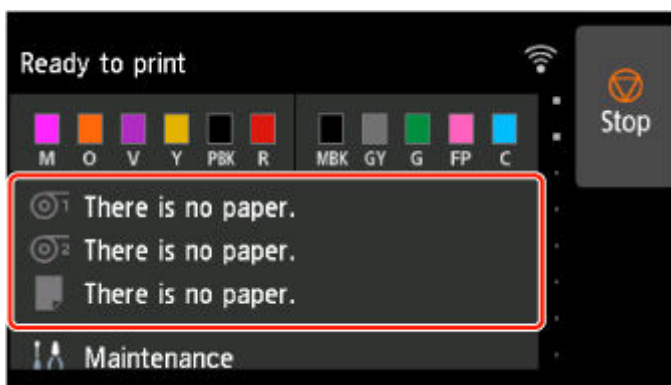
### Important

- Always load rolls when the printer is on. If the printer is off when you load a roll, the paper may not be advanced correctly when you turn the printer on.
- Before loading a roll, confirm whether the inside of the top cover or the output guide is soiled. If these areas are dirty, we recommend cleaning them in advance. (See "[Cleaning Inside the Top Cover](#)").
- If **Paper retention settings** is set to **Release**, the roll paper is not fed automatically.
- For details on the paper that can feed roll paper automatically, see "Paper Information List."

### Note

- When using the roll unit, you can also load roll paper on the roll unit separately from the printer that is described here. (See "[Loading the Lower Roll on the Roll Unit \(Option\)](#)").
- When roll paper cannot be fed automatically, see "[Roll Paper Is not Switched Automatically](#)".

1. Tap paper settings display area on Home screen of touch screen.




### Note

- If the Home screen does not appear, tap the **HOME** button.

- **When selecting Enable in Roll paper auto feed.**

Go to step 2.

- **When selecting Disable in Roll paper auto feed.**

1. Tap  area.
2. Tap **Load paper** or **Replace paper**, check message that appears, and then tap **Yes**.

### Note

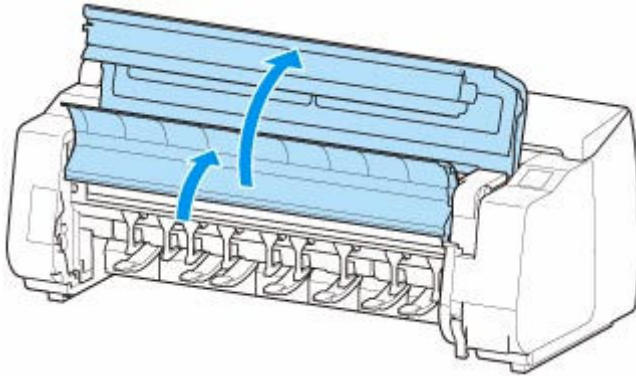
- If any cut sheet has been fed, or roll paper that will not be used has been fed from Roll 1 (Upper), a message is shown requesting you to remove it.

After following the instructions on the screen to remove the paper, redo the operation.

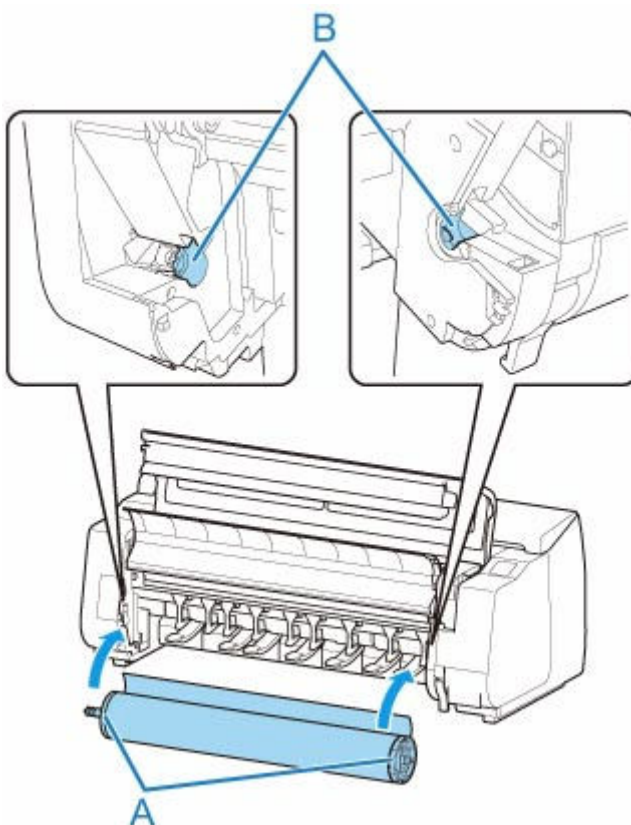
- If roll paper is loaded in Roll 1 (Upper) but Roll 1 (Upper) is not selected as the paper source, a message asking you whether or not to change paper is displayed.

Tap **Replace paper**, remove the paper, and go to the next step.

**2.** Open top cover and lift output guide.



**3.** Hold flanges (A) so that holder stopper is on left, align roll holder shaft with roll holder slot left and right guide grooves (B), and load.



**⚠ Caution**

- Be careful not to drop the roll and hurt yourself when loading it.

- Be careful not to pinch your fingers between the Roll Holder shaft and the guide grooves (B) when loading the roll paper.

---

### ▶▶▶ Important

- If the leading edge of the roll paper is secured with tape or a paper band so that it will not unravel, remove the tape or paper band before loading the roll paper into the roll holder slot.

If you load the paper into the roll holder slot with the leading edge secured, only part of the roll paper is fed to the paper feed slot, resulting in damage to the roll paper.

- If the leading edge of the roll paper is cut crooked or folded, it may not be fed correctly. Cut the leading edge of the roll paper with scissors or the like and straighten it.
- Load the roll paper so that it is not loaded in the opposite direction.
- Make sure there is no slack in the roll paper, and then load it.
- Depending on the surrounding environment, the leading edge of roll paper is stuck because of static electricity or humidity so that the roll paper may not be able to be fed correctly. In this case, set **Roll paper auto feed** to **Disable**, and then feed the roll paper.
- If the roll paper is decentered, it may not be able to be fed correctly. In this case, set **Roll paper auto feed** to **Disable**, and then feed the roll paper.
- When **Roll paper auto feed** is **Enable** and if you attach the roll holder without the roll paper loaded on the roll holder, **Preparing to feed the paper...** appears on the operation panel. In this case, press the **Stop** button on the operation panel to cancel feeding.

### ▶▶▶ Note

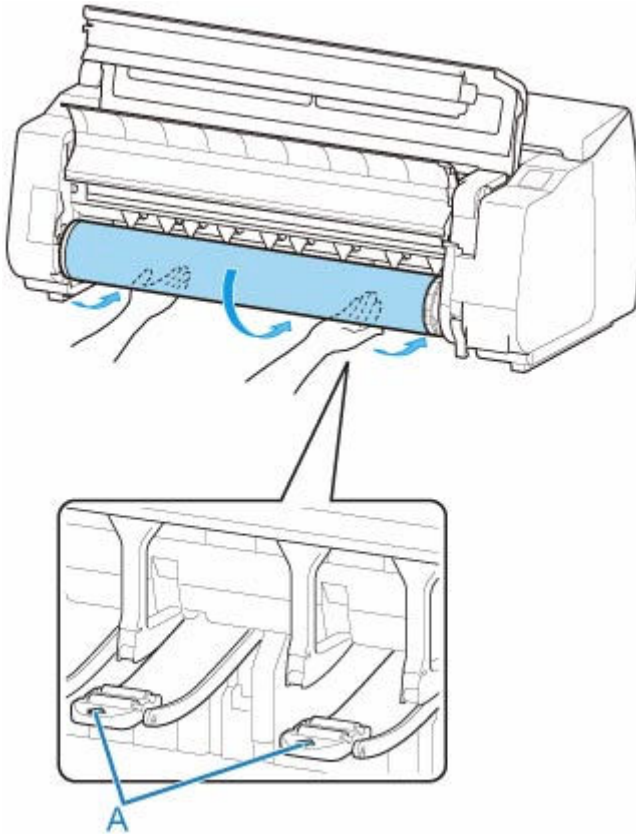
- For the procedure for attaching the roll paper to the Roll Holder, see "[Loading Rolls on the Roll Holder](#)."

- **When selecting Enable in Roll paper auto feed.**

Go to step 4.

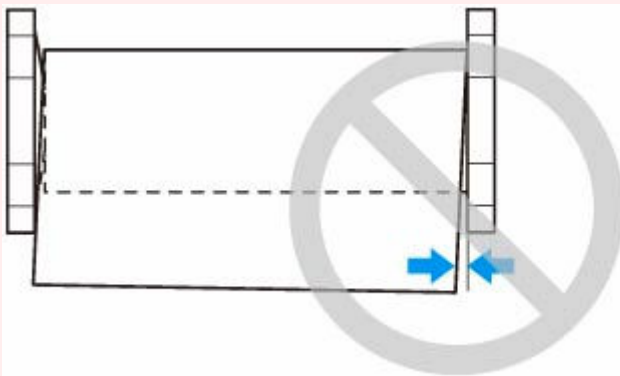
- **When selecting Disable in Roll paper auto feed.**

Pull out roll paper evenly, insert leading edge between roll paper and arrows (A) directly beneath it, and feed roll paper until you hear a sound.



### ►► Important

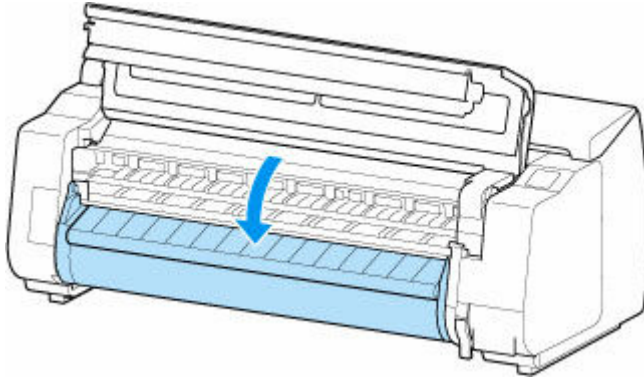
- If the roll paper has become unwound, remove the slack before loading the roll paper.
- When feeding the leading edge of the roll paper, make sure the entire width of the roll paper is separating and feeding from the roll. If the roll paper is fed with some of the roll paper still stuck to the roll, the roll paper will be damaged.
- Be careful not to soil the printing surface of roll paper as you insert it in the slot. This may affect the printing quality. We recommend wearing clean cloth gloves when handling rolls to protect the printing surface.
- If the paper is wrinkled or warped, straighten it out before loading it.
- Load the roll so that there is no gap between the right edge of the paper and the Roll Holder.



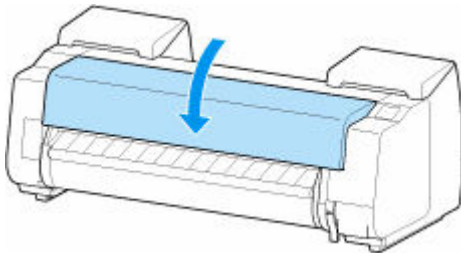
- Depending on the paper, the roll paper may be scratched when being fed and not feed well. In this case, you must feed the paper manually after setting **Paper retention settings** to **Release** on the touch screen. Lift the release lever, advance the roll paper until its leading

edge appears on platen, lower the release lever, and then proceed to the next step. However, if **Paper retention settings** is set to **Release**, automatic switching of the upper and lower rolls is not possible.

**3. Lower output guide.**



**4. Close top cover.**



- **When selecting Enable in Roll paper auto feed.**

The roll paper is fed.

- **When selecting Disable in Roll paper auto feed.**

Tap **Start feeding**, and then the roll paper is fed.

Once paper feeding starts, you will need to do the following, based on the **Manage remaining roll amount** setting, the barcode printed on rolls, and the **Media type selection method** setting. (See "[Keeping Track of the Amount of Roll Paper Left.](#)")

- **When selecting Disable or Auto estimate in Manage remaining roll amount.**

- **When selecting Manual or Auto with confirmation in Media type selection method.**

A menu for selecting the media type appears on the touch screen. Operate the touch screen and select the media type to be used.

- **When selecting Auto detect in Media type selection method.**

You'll see candidate for the media type you've estimated to the touch screen. After 5 seconds, the paper type of the first item is selected. If you choose a different candidate, you can use the touch screen to select the type of paper you want.

- **When selecting Use current media type in Media type selection method.**

A menu for selecting the media type appears on the touch screen. After 5 seconds, the media type will be selected with the fixed media kind.

- **When selecting Barcodes in Manage remaining roll amount and if the barcode is printed.**

The type and amount of paper left is automatically detected based on the barcode printed on the roll. There is no need to specify the type and length of the paper.

- **When selecting Barcodes in Manage remaining roll amount and if the barcode is not printed.**

- **When selecting Manual in Media type selection method.**

A menu for selection of the media type and length is shown on the touch screen. Operate the touch screen, select the media type to be used, and enter its length.

- **When selecting Auto with confirmation in Media type selection method.**

A menu for selecting the estimated media type candidates and the paper length. Interact with the touch screen, select the media type you want to use, and enter the length.

- **When selecting Auto detect in Media type selection method.**

A menu for selecting the estimated media type candidates and the paper length. After 5 seconds, the paper type of the first item is selected. If you choose a different candidate, you can use the touch screen to select the type of paper you want.

- **When selecting Use current media type in Media type selection method.**

A menu for selecting the media type and the paper length appears on the touch screen. After 5 seconds, the media type will be selected with the fixed paper kind.

### ▶▶▶ Important

- Cut the edge of the roll using the **Feed/cut** function if the edge is creased or soiled. (See "[Paper cutting \(to have the roll cut at your specified position\).](#)")
- When selecting the media type on the touch screen, make sure the media type set in the printer driver and the media type loaded on the printer match.

### ▶▶▶ Note

- If you have selected **Auto with confirmation** or **Auto detect** in the **Media type selection method** and you are using the barcode to manage the remaining roll paper, the barcode is read first. If it fails to read the barcode, it will detect the media type from the estimated result and display the candidate.
- For details on media types that you can select, see "Paper Information List."
- Adjusting the print head alignment with the type of paper to be used in printing may enhance printing quality. (See "[Automatic Adjustment to Straighten Lines and Colors.](#)")



## Loading the Lower Roll on the Roll Unit (Option)

Follow these steps to load roll paper in the roll unit (Roll 2 (Lower)).

When selecting **Enable** in **Roll paper auto feed**, the roll paper is fed automatically by simply loading it.

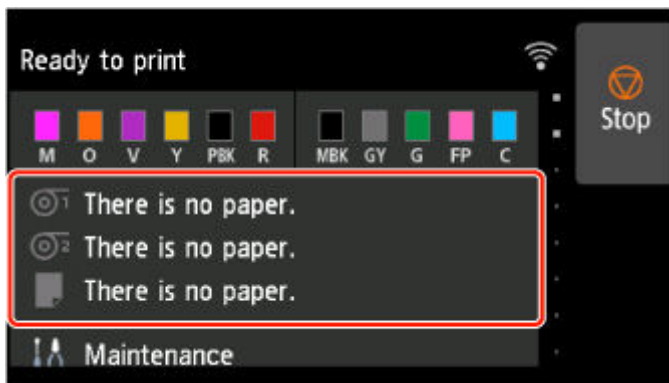
### Important

- Always load rolls when the printer is on. If the printer is off when you load a roll, the paper may not be advanced correctly when you turn the printer on.
- Before loading a roll, confirm whether the inside of the top cover or the output guide is soiled. If these areas are dirty, we recommend cleaning them in advance. (See "[Cleaning Inside the Top Cover](#)").
- If using the roll unit as the feed device, depending on the basket position, the ejected roll paper's cut end enters the roll unit and may cause a paper jam or affect the print quality when set to "Borderless Printing" or "Trim Edge First" when loading the paper. In this case, change the basket position, and then print. (See "[Example Basket Configurations](#)".)
- If **Paper retention settings** is set to **Release**, the roll paper is not fed automatically.
- For details on the paper that can feed roll paper automatically, see "Paper Information List."


### Note

- When roll paper cannot be fed automatically, see "[Roll Paper Is not Switched Automatically](#)".

1. Tap paper settings display area on Home screen of touch screen.



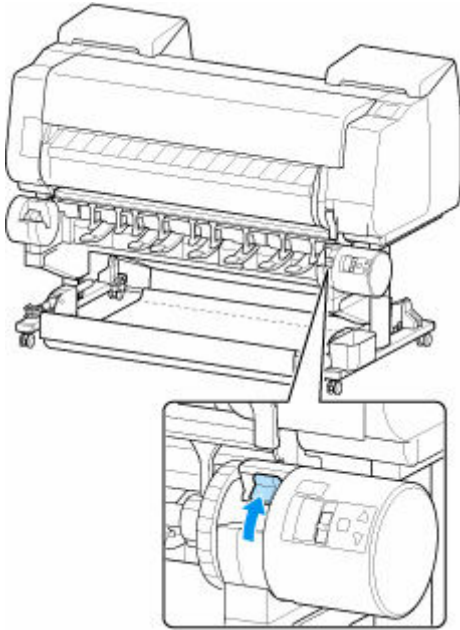
### Note

- If the Home screen does not appear, tap the **HOME** button.
- **When selecting Enable in Roll paper auto feed.**  
Go to step 2.
- **When selecting Disable in Roll paper auto feed.**
  1. Tap  area.
  2. Tap **Load paper** or **Replace paper**, check message that appears, and then tap **Yes**.

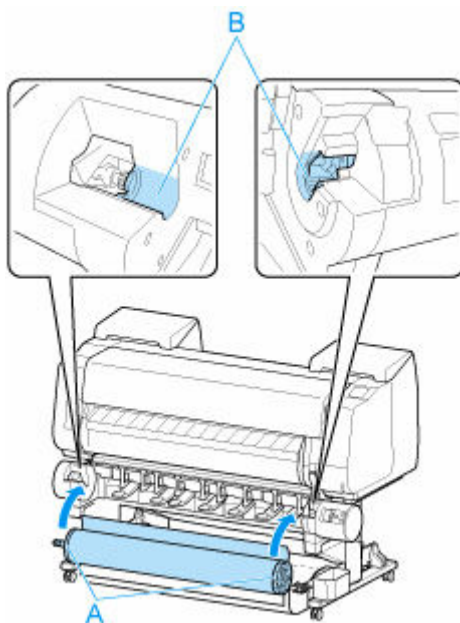
»» **Note**

- If any cut sheet has been fed, or roll paper that will not be used has been fed from Roll 2 (Lower), a message is shown requesting you to remove it.  
After following the instructions on the screen to remove the paper, redo the operation.
- If roll paper is loaded in Roll 2 (Lower) but Roll 2 (Lower) is not selected as the paper source, a message asking you whether or not to change paper is displayed.  
Tap **Replace paper**, remove the paper, and go to the next step.

**2.** Change **Roll Holder Lock** switch on roll unit to release position.



**3.** Hold flanges (A) so that holder stopper is on left, align roll holder shaft with roll holder slot left and right guide grooves (B), and load.



## Caution

---

- Be careful not to drop the roll and hurt yourself when loading it.
  - Be careful not to pinch your fingers between the Roll Holder shaft and the guide grooves (B) when loading the roll paper.
- 

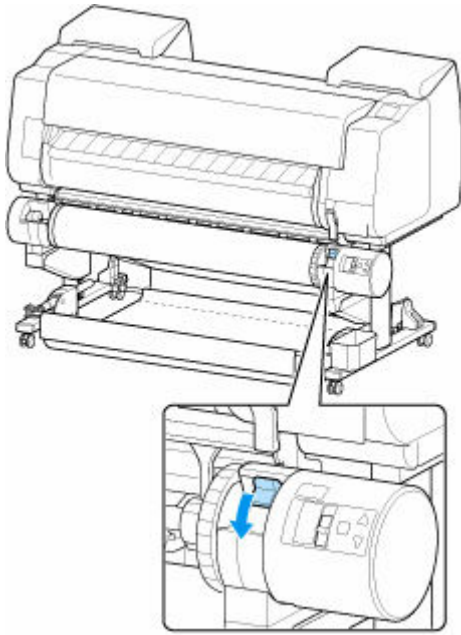
## Important

- If the leading edge of the roll paper is secured with tape or a paper band so that it will not unravel, remove the tape or paper band before loading the roll paper into the roll holder slot.  
If you load the paper into the roll holder slot with the leading edge secured, only part of the roll paper is fed to the paper feed slot, resulting in damage to the roll paper.
- If the leading edge of the roll paper is cut crooked or folded, it may not be fed correctly. Cut the leading edge of the roll paper with scissors or the like and straighten it.
- Load the roll paper so that it is not loaded in the opposite direction.
- Make sure there is no slack in the roll paper, and then load it.
- Depending on the surrounding environment, the leading edge of roll paper is stuck because of static electricity or humidity so that the roll paper may not be able to be fed correctly. In this case, set **Roll paper auto feed** to **Disable**, and then feed the roll paper.
- If the roll paper is decentered, it may not be able to be fed correctly. In this case, set **Roll paper auto feed** to **Disable**, and then feed the roll paper.
- When **Roll paper auto feed** is **Enable** and if you attach the roll holder without the roll paper loaded on the roll holder, **Preparing to feed the paper...** appears on the operation panel. In this case, press the **Stop** button on the operation panel to cancel feeding.

## Note

- For the procedure for attaching the roll paper to the Roll Holder, see "[Loading Rolls on the Roll Holder](#)."

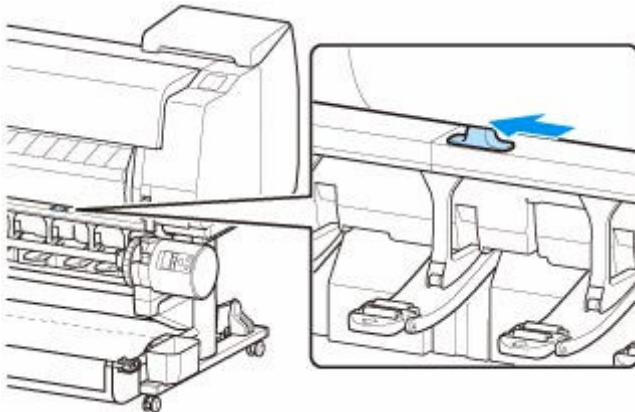
4. Change **Roll Holder Lock** switch on roll unit to locked position.



### ►► Important

- If you do not change **Roll Holder Lock** switch to locked position, the roll paper cannot be fed automatically.

5. Change feed flap switch on top of roll unit to feed icon position on the left.



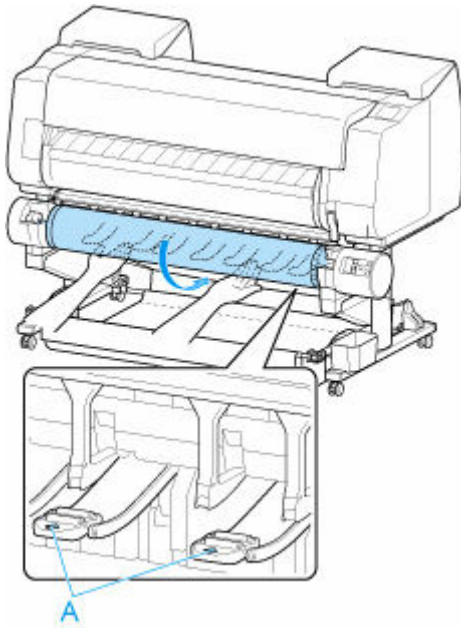
- **When selecting Enable in Roll paper auto feed.**

The roll paper is fed.

- **When selecting Disable in Roll paper auto feed.**

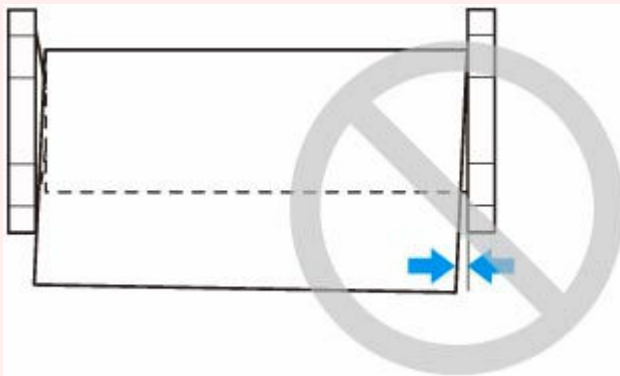
Pull out roll paper evenly, insert leading edge between roll paper and arrows (A) directly beneath it, and feed roll paper until you hear a sound.

Tap **Start feeding**, and then the roll paper is fed.



### ►► Important

- If the roll paper has become unwound, remove the slack before loading the roll paper.
- When feeding the leading edge of the roll paper, make sure the entire width of the roll paper is separating and feeding from the roll. If the roll paper is fed with some of the roll paper still stuck to the roll, the roll paper will be damaged.
- Be careful not to soil the printing surface of roll paper as you insert it in the slot. This may affect the printing quality. We recommend wearing clean cloth gloves when handling rolls to protect the printing surface.
- If the paper is wrinkled or warped, straighten it out before loading it.
- Load the roll so that there is no gap between the right edge of the paper and the Roll Holder.



- Depending on the paper, the roll paper may be scratched when being fed and not feed well. In this case, you must feed the paper manually after setting **Paper retention settings** to **Release** on the touch screen. Lift the release lever, advance the roll paper until its leading edge appears on platen, lower the release lever, and then proceed to the next step. However, if **Paper retention settings** is set to **Release**, automatic switching of the upper and lower rolls is not possible.

Once paper feeding starts, you will need to do the following, based on the **Manage remaining roll amount** setting, the barcode printed on rolls, and the **Media type selection method** setting. (See "[Keeping Track of the Amount of Roll Paper Left.](#)")

- **When selecting Disable or Auto estimate in Manage remaining roll amount.**
  - **When selecting Manual or Auto with confirmation in Media type selection method.**  
A menu for selecting the media type appears on the touch screen. Operate the touch screen and select the media type to be used.
  - **When selecting Auto detect in Media type selection method.**  
You'll see candidate for the media type you've estimated to the touch screen. After 5 seconds, the paper type of the first item is selected. If you choose a different candidate, you can use the touch screen to select the type of paper you want.
  - **When selecting Use current media type in Media type selection method.**  
A menu for selecting the media type appears on the touch screen. After 5 seconds, the media type will be selected with the fixed media kind.
- **When selecting Barcodes in Manage remaining roll amount and if the barcode is printed.**  
The type and amount of paper left is automatically detected based on the barcode printed on the roll. There is no need to specify the type and length of the paper.
- **When selecting Barcodes in Manage remaining roll amount and if the barcode is not printed.**
  - **When selecting Manual in Media type selection method.**  
A menu for selection of the media type and length is shown on the touch screen. Operate the touch screen, select the media type to be used, and enter its length.
  - **When selecting Auto with confirmation in Media type selection method.**  
A menu for selecting the estimated media type candidates and the paper length. Interact with the touch screen, select the media type you want to use, and enter the length.
  - **When selecting Auto detect in Media type selection method.**  
A menu for selecting the estimated media type candidates and the paper length. After 5 seconds, the paper type of the first item is selected. If you choose a different candidate, you can use the touch screen to select the type of paper you want.
  - **When selecting Use current media type in Media type selection method.**  
A menu for selecting the media type and the paper length appears on the touch screen. After 5 seconds, the media type will be selected with the fixed paper kind.

### **Important**

- Cut the edge of the roll using the **Feed/cut** function if the edge is creased or soiled. (See "[Paper cutting \(to have the roll cut at your specified position\).](#)")
- When selecting the media type on the touch screen, make sure the media type set in the printer driver and the media type loaded on the printer match.

## »» Note

- If you have selected **Auto with confirmation** or **Auto detect** in the **Media type selection method** and you are using the barcode to manage the remaining roll paper, the barcode is read first. If it fails to read the barcode, it will detect the media type from the estimated result and display the candidate.
- For details on media types that you can select, see "Paper Information List."
- Adjusting the print head alignment with the type of paper to be used in printing may enhance printing quality. (See "[Automatic Adjustment to Straighten Lines and Colors.](#)")

## Changing the Type of Paper

Follow these steps to change the type of paper specified on the printer after you have loaded paper.

If you continue using the same type of paper and set **Media type selection method** to **Use current media type**, when you load paper, the media type selected before **Use current media type** was set is selected automatically, eliminating the need to set the media type. (See "[Using the Same Type of Paper Regularly.](#)")

### ▶▶▶ Note

- This printer has the ability to estimate the media type by the data read by the sensor when the paper is set. If you continue to use this feature, you will learn the data that you read and the accuracy of the media type estimation. If you continue to use multiple media types, this feature will reduce the need to select the media type each time you set the paper. (See "[Paper-related settings.](#)")

### ▶▶▶ Important

- For best printing results, the printer fine-tunes the print head height and the feed amount for each type of paper. Be sure to select the type of paper to use correctly before printing.
- Because the printer fine-tunes the feed amount for each type of paper, the margins and the size of printed images may vary depending on the type of paper used. If margins and the size of images are not as you expected, adjust the paper feed amount.

(See "[Adjusting Feed Amount.](#)")

- Rolls and sheets have different printing areas, and sheets having a larger bottom margin than rolls.

(See "[Print Area.](#)")

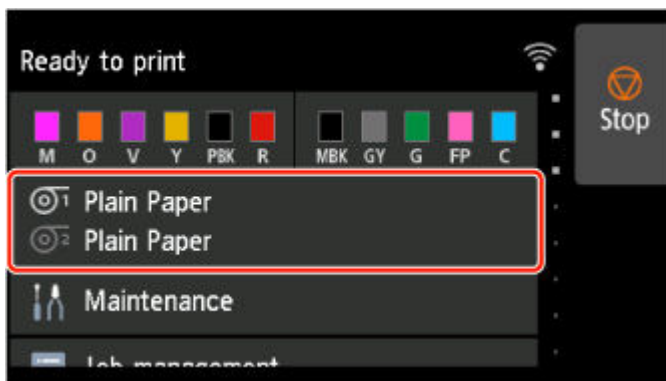
## Changing the Type of Paper

### ▶▶▶ Note

- When you load roll paper, a menu for selecting the media type appears on the touch screen. Tap the media type.

If no barcode has been printed on the roll paper and you have set **Manage remaining roll amount** to **Barcodes**, specify the roll length after selecting the media type. (See "[Specifying the Paper Length.](#)")

1. Tap paper settings display area on Home screen of touch screen.

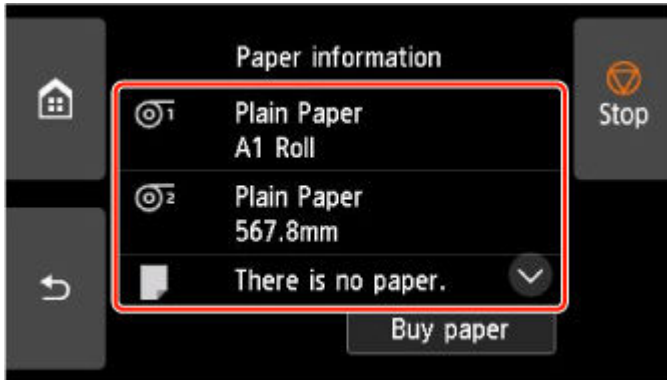




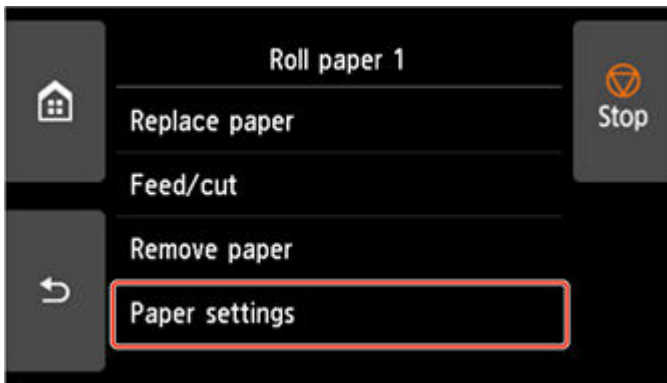
**»»» Note**

- If the Home screen does not appear, tap the **HOME** button.

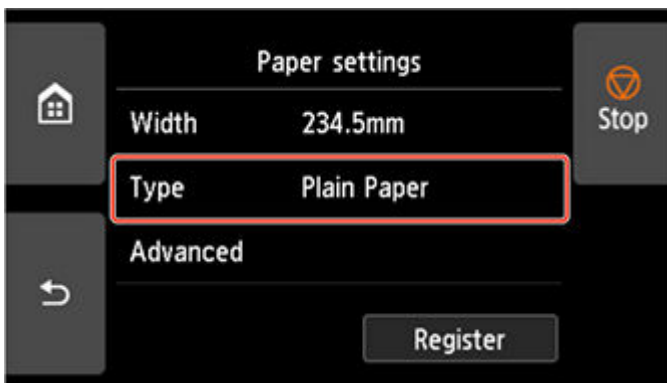
2. Tap paper feed slot where paper whose type you want to change is loaded.



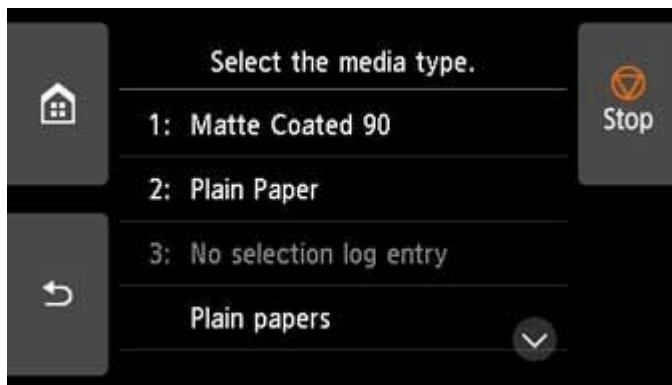
3. Tap **Paper settings**.



4. Tap **Type**.



5. Tap media type of roll paper loaded in printer.



### »»» Important

- Be sure to select the correct paper type. If this setting does not match the loaded paper, it may cause feed errors and affect printing quality.

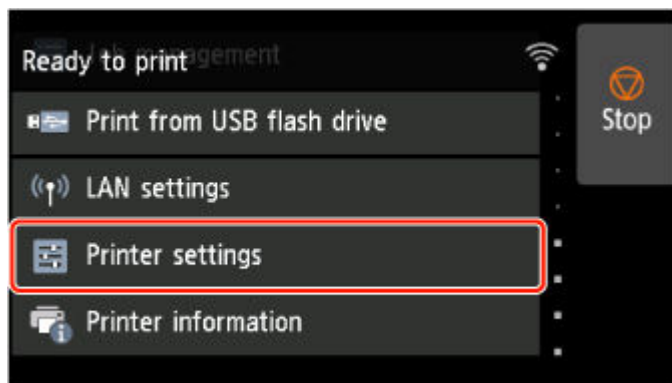
### »»» Note

- For details on media types, see "Paper Information List." At the factory default settings, **Plain Paper** is selected for the media type.
- When the release lever is operated, the settings automatically return to the last selected media type.

## Using the Same Type of Paper Regularly

Configure this setting so that current media type settings will be automatically selected when you load the same type of paper later.

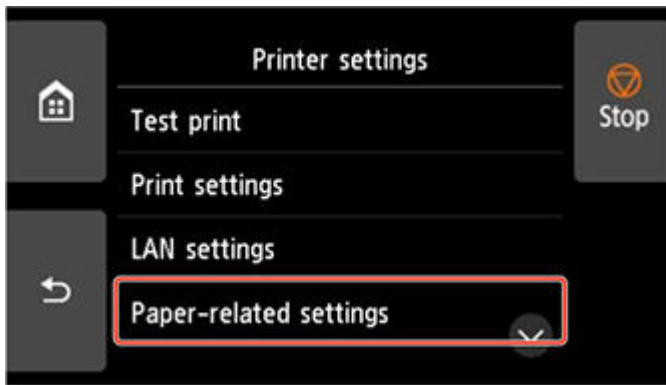
1. Tap **Printer settings** on Home screen of touch screen.



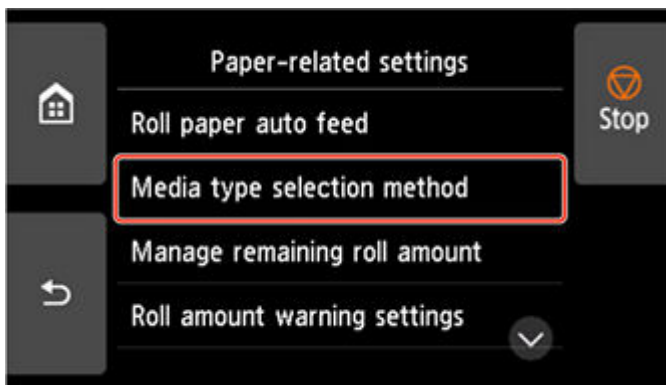
### »»» Note

- If the Home screen does not appear, tap the **HOME** button.

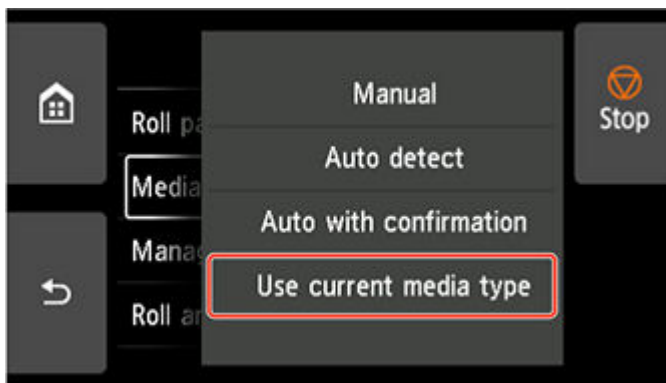
2. Tap **Paper-related settings**.



3. Tap **Media type selection method**.



4. Tap **Use current media type**.



»»» **Note**

- The specified media type setting is updated in the following situations.
  - When using sheets, if you send a print job before loading a sheet, the media type setting is updated to match the type of paper specified by the print job.
  - If a barcode is printed on the roll paper and you have set **Manage remaining roll amount** to **Barcodes** in the operation panel menu, the media type setting is updated to match the media type specified by the barcode.
- To change the media type setting, see "[Changing the Type of Paper.](#)"

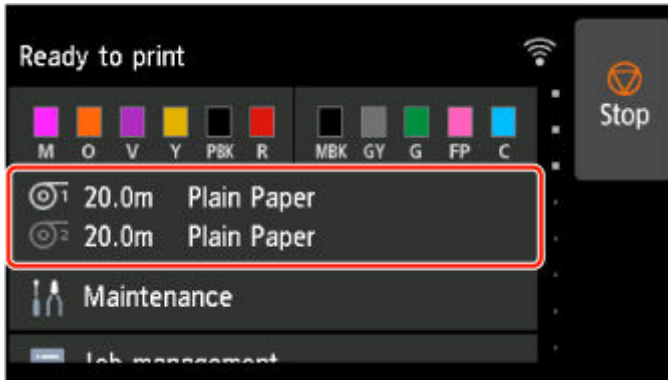
## Specifying the Paper Length

When changing the length of paper after the paper has been advanced, specify the length as follows.

### ▶▶▶ Note

- Specify the roll paper length when you have set **Manage remaining roll amount** to **Barcodes**. (See "[Keeping Track of the Amount of Roll Paper Left.](#)")

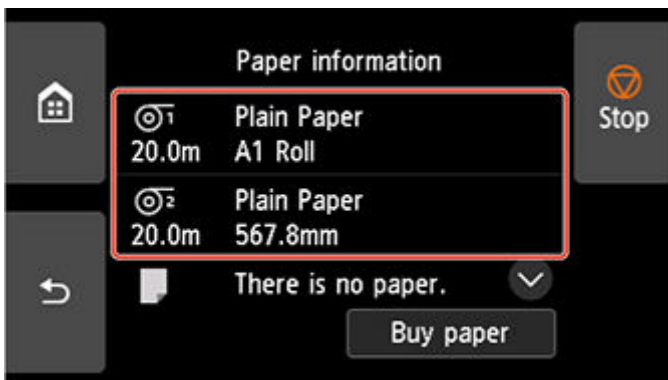
1. Tap paper settings display area on Home screen of touch screen.



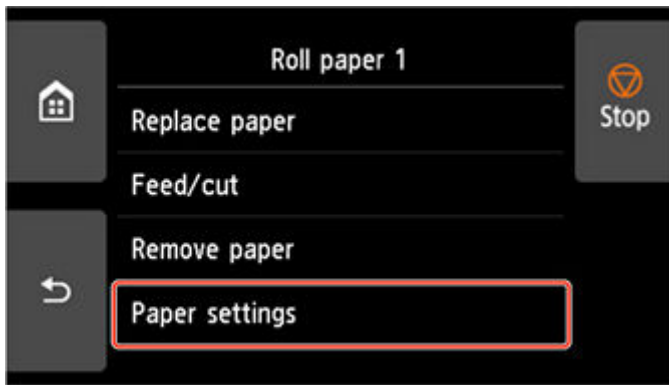
### ▶▶▶ Note

- If the Home screen does not appear, tap the **HOME** button.

2. Tap paper feed slot where paper whose length you want to change is loaded.



3. Tap **Paper settings**.



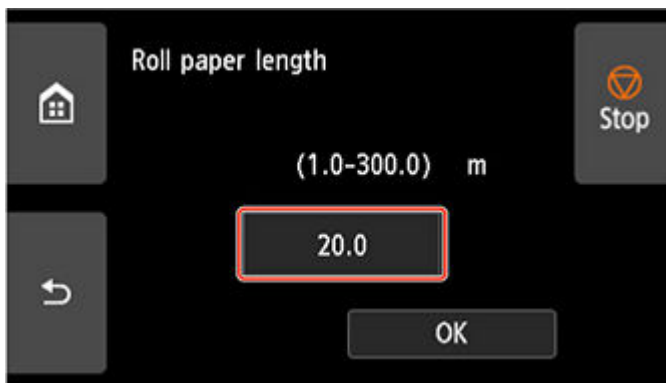
**4. Tap Length.**



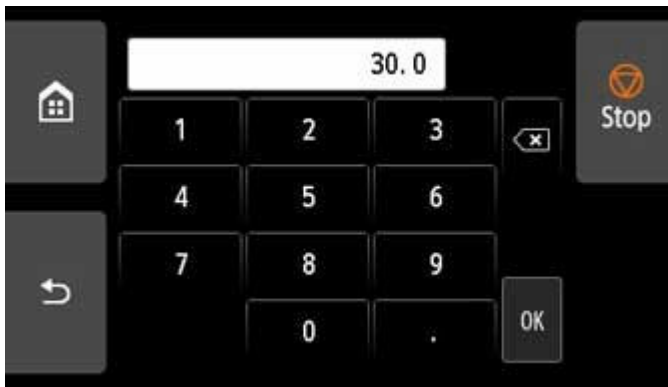
**5. Enter roll paper length.**

Specify the roll length as follows.

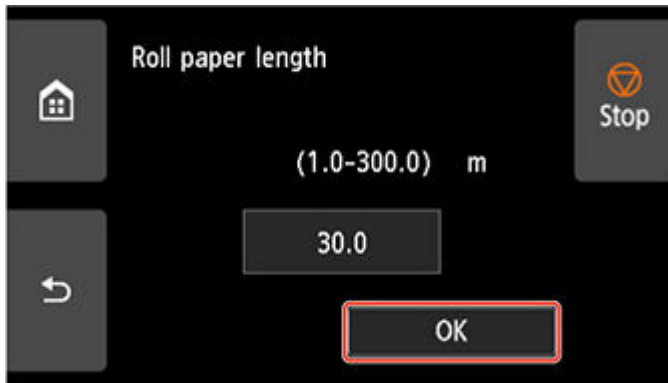
1. Tap the gray numerical input field.



2. Tap the keypad appearing on the touch screen, enter the roll paper length, and then tap **OK**.



3. Check the entered length and tap **OK**.



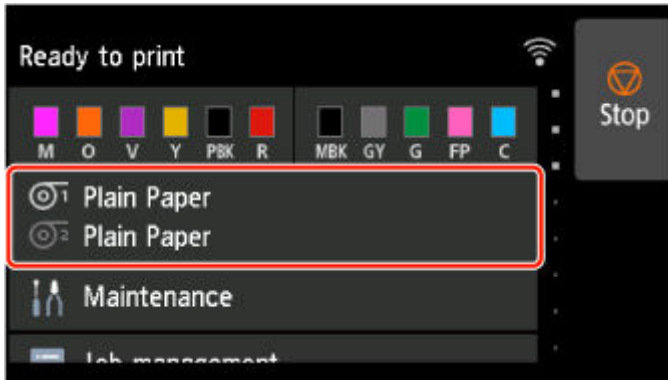
## Removing the Upper Roll from the Printer

Remove rolls from the printer as follows.

### ►► Note

- If you need to cut a printed roll, select **Feed/cut** in the printer menu and cut the roll paper at the desired position. (See "[Specifying the Cutting Method for Rolls.](#)")

1. Tap paper settings display area on Home screen of touch screen.



### ►► Note

- If the Home screen does not appear, tap the **HOME** button.

2. Tap  area.

3. Tap **Remove paper**.

4. Tap **Yes**.

The roll is rewound.

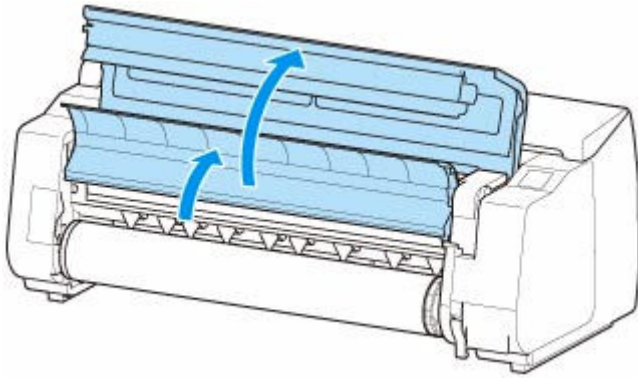
### ►► Important

- If **Manage remaining roll amount** is set to **Barcodes** in the operation panel menu, a barcode is printed on the leading edge of the roll paper.

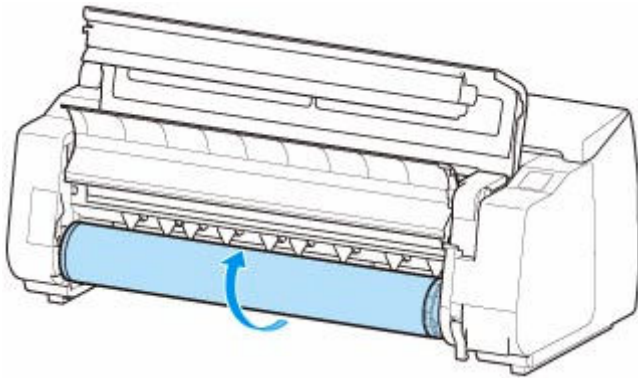
Do not remove the roll before the barcode is printed. You will be unable to keep track of the amount of roll paper left. (See "[Keeping Track of the Amount of Roll Paper Left.](#)")



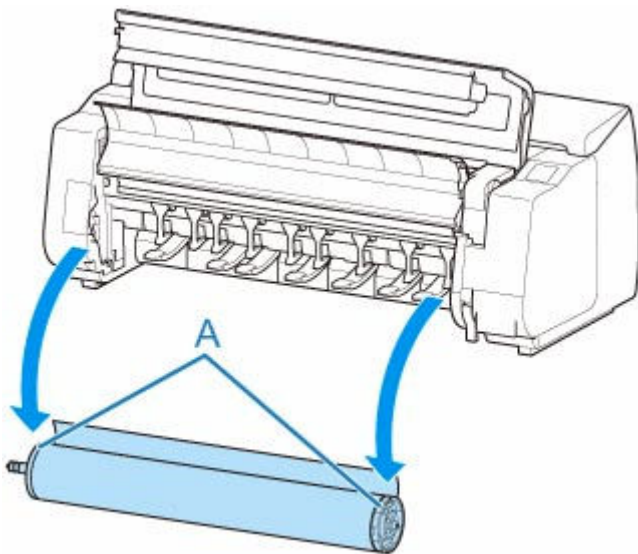
5. Open top cover and lift output guide.



6. Using both hands, rotate the Roll Holder in the direction of the arrow to rewind the roll.



7. Hold Roll Holder by its flanges (A) and remove from roll holder slot.

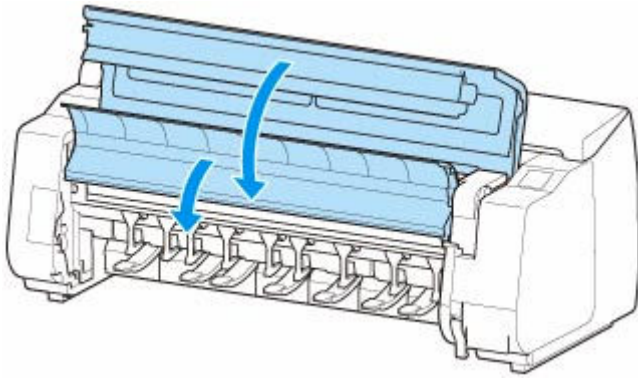


**▶▶▶ Note**

- For instructions on removing the Roll Holder from rolls, see "[Removing Rolls From the Roll Holder.](#)"

8. Lower output guide and close top cover.





►► **Note**

- To load new paper in the printer at this point, see "[Loading the Upper Roll on the Printer.](#)"
- Clean inside the top cover before loading paper.  
(See "[Cleaning Inside the Top Cover.](#)")

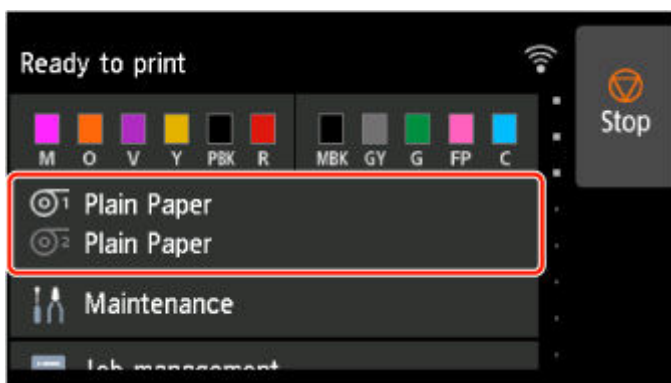
## Removing the Lower Roll from the Roll Unit (Option)

Follow these steps to remove roll paper from the roll unit.

### ▶▶▶ Note

- If you need to cut a printed roll, select **Feed/cut** in the printer menu and cut the roll paper at the desired position. (See "[Specifying the Cutting Method for Rolls.](#)")

1. Tap paper settings display area on Home screen of touch screen.



### ▶▶▶ Note

- If the Home screen does not appear, tap the **HOME** button.

2. Tap  area.

3. Tap **Remove paper**.

4. Check touch screen message and tap **Yes**.

The roll is rewound.

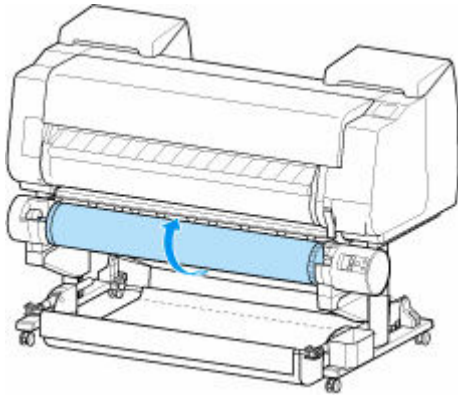
### ▶▶▶ Important

- If **Manage remaining roll amount** is set to **Barcodes** in the operation panel menu, a barcode is printed on the leading edge of the roll paper.

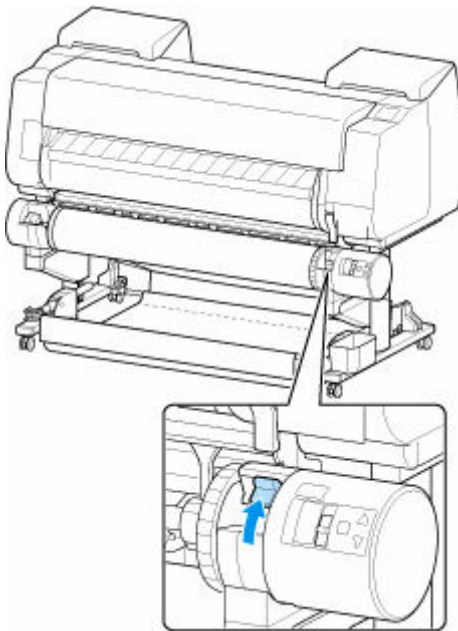
Do not remove the roll before the barcode is printed. You will be unable to keep track of the amount of roll paper left. (See "[Keeping Track of the Amount of Roll Paper Left.](#)")



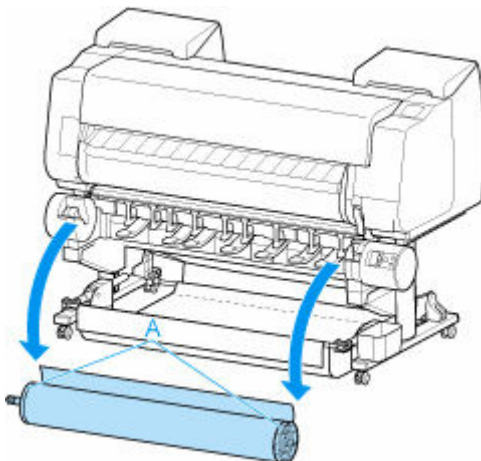
5. Using both hands, rotate roll holder in direction of arrow to rewind roll paper.



6. Change **Roll Holder Lock** switch on roll unit to release position.



7. Hold roll holder by its flanges (A) and remove from roll holder slot.



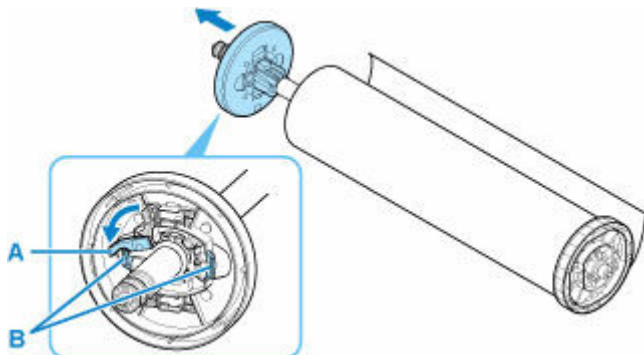
**▶▶▶ Note**

- For instruction on removing the roll paper from the roll holder, see "[Removing Rolls From the Roll Holder.](#)"

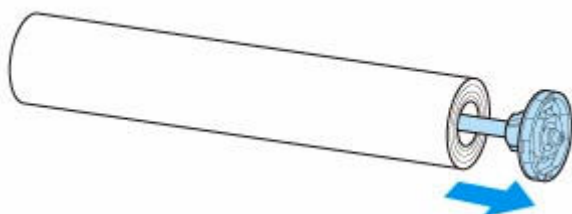
- To load new paper in the printer at this point, see "[Loading the Lower Roll on the Roll Unit \(Option\)](#)."

## Removing Rolls From the Roll Holder

1. Rotate the holder stopper lever (A) towards  to release the lock, and while holding it in position (B), remove holder stopper from the roll holder.

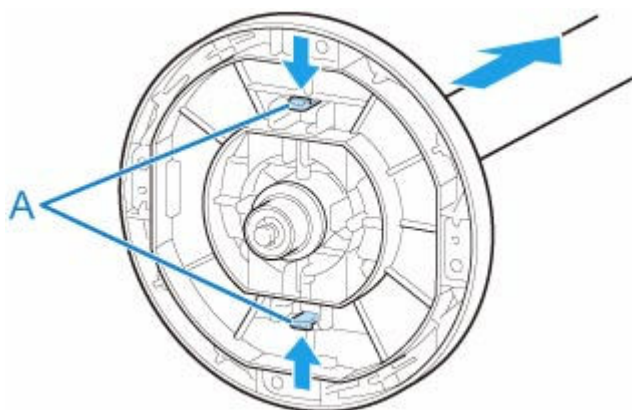


2. Remove roll holder from roll paper.

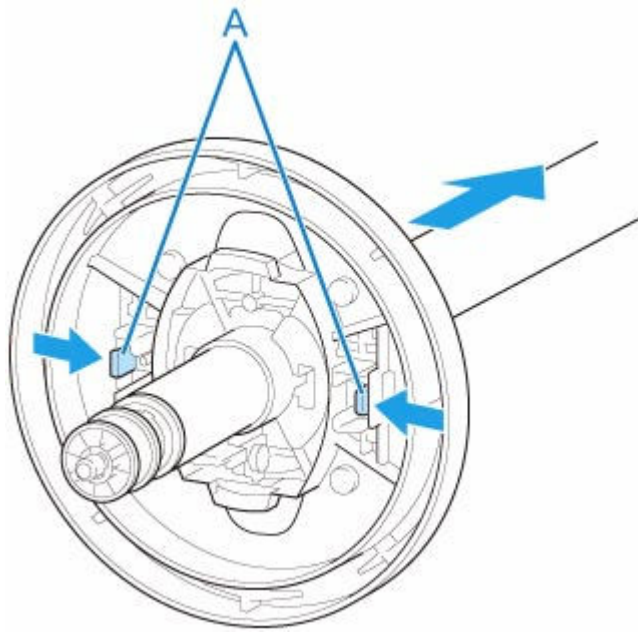


3. To remove 3-Inch Paper Core Attachment, press tabs (A) inward and remove attachment.

- roll holder Side



- holder stopper Side



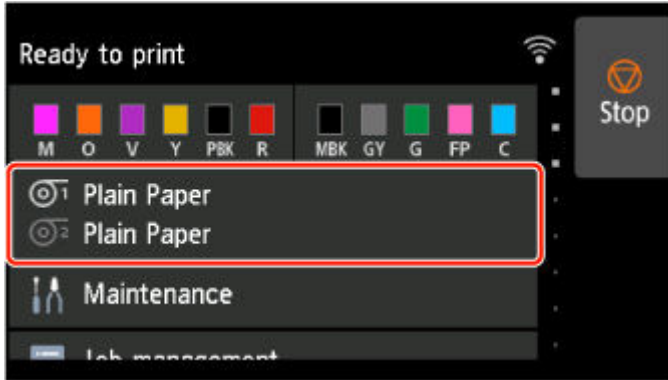
**»» Important**

- Store the roll in the original bag or box, away from high temperature, humidity, and direct sunlight. If paper is not stored properly, the printing surface may become scratched, which may affect the printing quality when you use it again.

## Feeding Roll Paper Manually

After feeding the roll paper, you can move it forward and back.

1. Tap paper settings display area on Home screen of touch screen.



### ▶▶▶ Note

- If the Home screen does not appear, tap the **HOME** button.

2. Tap  or  area.

3. Tap **Feed/cut**.

4. Tap or touch **Advance** and **Rewind** to move roll paper forward or back.

### ▶▶▶ Note

- Tapping **Advance** or **Rewind** moves the roll paper approximately 0.04 inch (1 mm).  
Touching **Advance** or **Rewind** moves the roll paper until you release the key. If "**Cannot advance the paper any further.**" appears on the touch screen, release the key.

5. Tap **OK** when you have determined position of roll paper.

## Keeping Track of the Amount of Roll Paper Left

There are two methods of managing the amount of roll paper left: by using the barcode and by estimating the amount of roll paper left.

### Managing by the Barcode for the Amount of Roll Paper Left

When you set **Manage remaining roll amount** to **Barcodes** in **Printer settings** on the Home screen, the amount of remaining roll paper and the media type information are printed as a barcode and text when the paper is removed. When **Manage remaining roll amount** is set to **Barcodes** and you load roll paper with a printed barcode, the media type and remaining amount are automatically detected after the roll paper is loaded. The barcode will be cut off after it has been read.



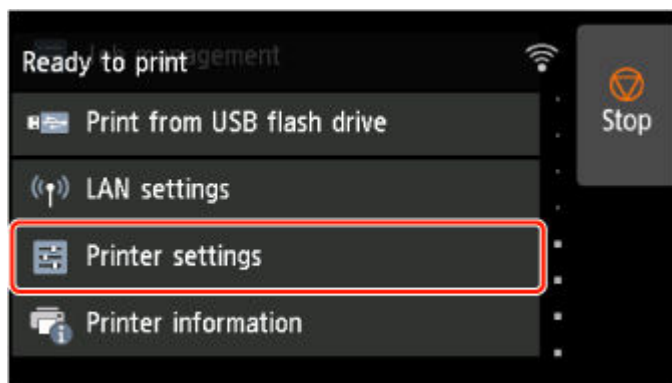
#### Important

- If the barcode on the roll paper is not detected, enter the media type and length on the touch screen. The length of the paper at this time can be set in **Roll length (change default)**.

➔ [Setting the Length of the Roll Paper when Managing by the Barcode](#)

Follow the steps below when setting **Manage remaining roll amount** to **Barcodes**.

1. Tap **Printer settings** on Home screen of touch screen.



#### Note

- If the Home screen does not appear, tap the **HOME** button.

2. Tap **Paper-related settings**.
3. Tap **Manage remaining roll amount**.
4. Tap **Barcodes**.
5. Check the length of the roll paper and tap **OK**.



## »» Important

- When selecting **Enable** in **Roll paper auto feed**, the screen for checking the length of the roll paper is displayed for only 5 seconds.

## »» Note

- The length of the roll paper to be displayed can be set in **Roll length (change default)**.
  - ➔ [Setting the Length of the Roll Paper when Managing by the Barcode](#)
- If the length of the roll paper to be displayed is different from the length of the roll paper actually used, set the actual length.

6. Select the timing when the warning message appears.

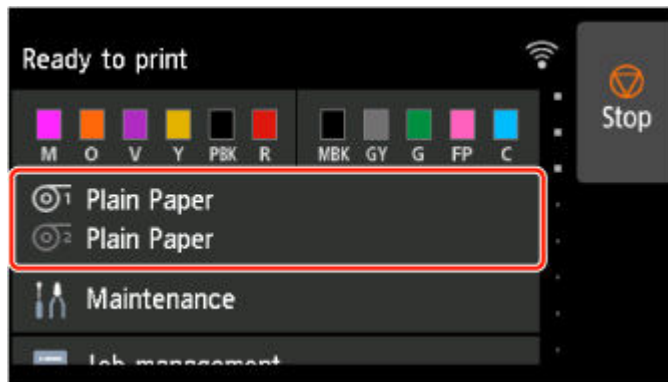
## Setting the Length of the Roll Paper when Managing by the Barcode

When you select **Barcodes** in **Manage remaining roll amount** and if you feed roll paper on which no barcode is printed, such as new roll paper, the screen to enter the roll paper length (remaining amount) appears.

In this screen, the length (remaining amount) of default value appears. If the length is not correct, tap the screen and enter a correct length.

When you want to change the length (remaining amount) of default value, follow the steps below.

1. Tap paper settings display area on Home screen of touch screen.



## »» Note

- If the Home screen does not appear, tap the **HOME** button.

2. Tap paper feed slot where roll paper for which you want to set the roll paper length is loaded.
3. Tap **Paper settings**.
4. Tap **Advanced**.

5. Tap **Roll length (change default)**.

6. Set the length of the roll paper and tap **OK**.

## **Managing by Estimating the Amount of Roll Paper Left**

When you set the **Manage remaining roll amount** to **Auto estimate** in **Print settings** of the home screen, the remaining amount of roll paper is estimated and displayed in the Operation panel. The barcode is not printed.

### **▶▶ Important**

- If the type of paper is not selected correctly, the amount of roll paper left may not be estimated correctly.
- There is an error in the estimated amount of paper remaining, and it may be out of paper during printing.
- When using the types of paper which are not displayed on "Paper Information List," set the paper thickness and the size of paper core with Media Configuration Tool.

➡ [Media Configuration Tool Guide](#)

## Specifying the Amount of Extension for Borderless Printing

Borderless printing may leave margins on the left and right sides of the paper or soil the back of the paper. Adjusting the amount of extension may improve these problems.

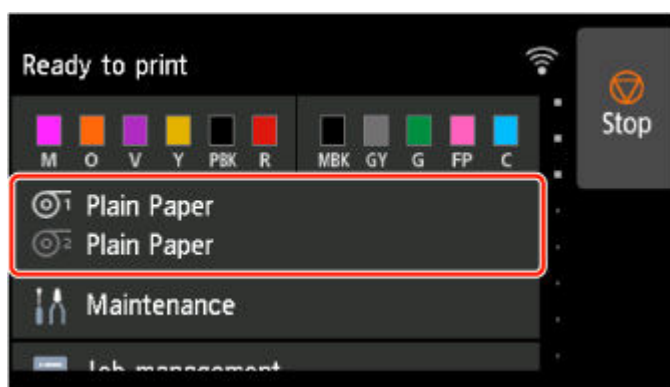
Each paper width is shown as being a recommended width for borderless printing ( **Paper with recommended width** ), or as having sufficient width for borderless printing ( **Paper of sufficient width** ). The procedure for specifying the amount of extension differs depending on **Paper with recommended width** and **Paper of sufficient width**.


- ➔ [Specifying Amount of Extension for Paper with recommended width.](#)
- ➔ [Specifying Amount of Extension for Paper of sufficient width.](#)

For more information on a paper width recommended for borderless printing, see [Paper Sizes](#).

### Specifying Amount of Extension for Paper with recommended width.

1. Tap paper setting display area on HOME screen.



2. Tap  area.
3. Tap **Paper settings**.
4. Tap **Advanced**.
5. Tap **Extension for borderless printing**.
6. Tap **Paper with recommended width**.
7. Select amount of extension.

Select **Large**, **Standard**, or **Small**.

#### ▶▶▶ Note

- When selecting **Large**, the printed area will be wider. Select this if there are margins.
- When selecting **Small**, the printed area will be narrower. Select this if there are stains.

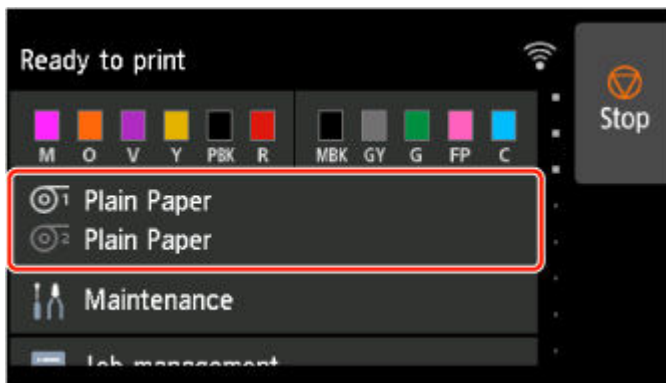
## Specifying Amount of Extension for Paper of sufficient width.


In case of **Paper of sufficient width**, the width of the original is set to be slightly smaller than the paper, and there are margins on the left and right. You can reduce the margins by increasing the amount of extension.

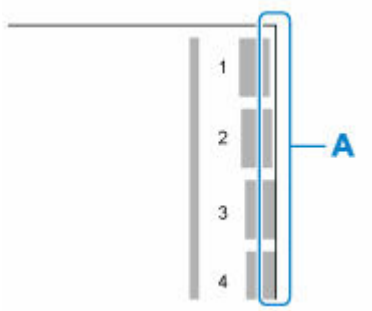
On the other hand, if the amount of extension is too large, the back side of the paper will be easily soiled with the overflowed ink. When performing borderless printing with specifying the amount of extension for **Paper of sufficient width**, clean the platen regularly.

➔ [Cleaning Inside the Top Cover](#)

1. Tap paper setting display area on HOME screen.



2. Tap  area.
3. Tap **Paper settings**.
4. Tap **Advanced**.
5. Tap **Extension for borderless printing**.
6. Tap **Paper of sufficient width**.
7. Tap **Sample of extension amounts**.
8. Confirm displayed message and tap **Yes**.  
The alignment pattern for each adjustment value is printed.
9. Select the adjustment value.



Check the paper edge (A) of the 1st to 8th on the output pattern and select the number that has the appropriate amount of extension.

### ▶▶ Note

- After setting, we recommend to perform borderless printing to check the margin status.  
If the margin remains, set a larger adjustment value. If the back of the paper is soiled, set a smaller adjustment value.
- After printing alignment pattern and borderless printing for confirmation, we recommend to clean the platen.  
➡ [Cleaning Inside the Top Cover](#)

## Specifying the Ink Drying Time

When you are using paper that takes longer for ink to adhere, ink may be transferred onto the paper surface during ejection, soiling it. In that case, you may be able to improve the condition by setting the time to wait for the ink to dry after printing.

### ▶▶▶ Important

- Printer settings are applied when the ink drying time is not set in the printer driver. If you set the ink drying time in the printer driver, that setting has priority.

### ▶▶▶ Note

- If the Cutter touches the print surface on which the ink is not dry, the paper surface may become scratched or soiled, or the paper surface may rub when the paper falls and the surface may become soiled.

To wait for the ink to dry without allowing printed materials to fall after printing, set **Cutting mode** on the printer menu to **Eject cut**. (See "[Specifying the Cutting Method for Rolls](#).")

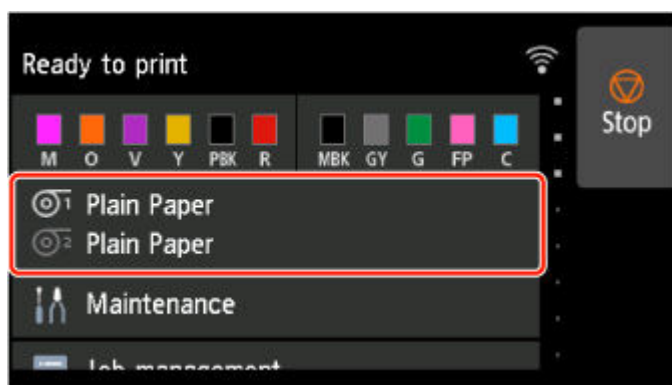
- The ink drying time for sheets can also be set using this procedure.

## Set on the Printer

Set with the touch screen of the printer.

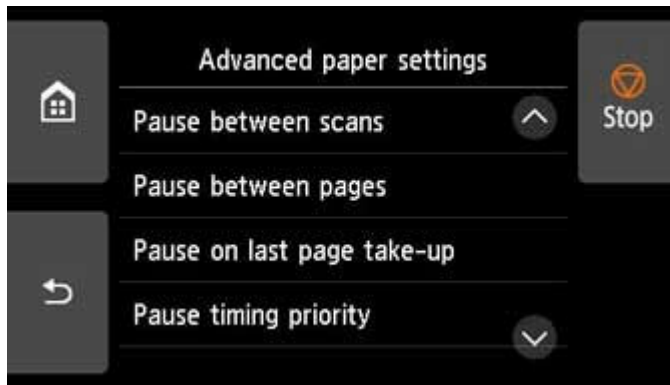
In addition to **Pause between scans** and **Pause between pages**, which you can set in the printer driver, You can set the **Pause on last page take-up** and **Pause timing priority** when you use the Roll unit as a Take-up mode.

1. Tap paper settings display area on Home screen of touch screen.



2. Tap the feed slot where the paper is loaded to specify the ink drying time.
3. Tap **Paper settings**.
4. Tap **Advanced**.

Scroll the screen to set **Pause between scans**, **Pause between pages**, **Pause on last page take-up**, and **Pause timing priority**.



### Pause between scans

Print one scan on the page and then set the wait time for the next one scan to print.

### Pause between pages

Print one page and then set the wait time for paper to be ejected.

If you have the next page, when print it after the ink drying time has elapsed.

### Pause on last page take-up

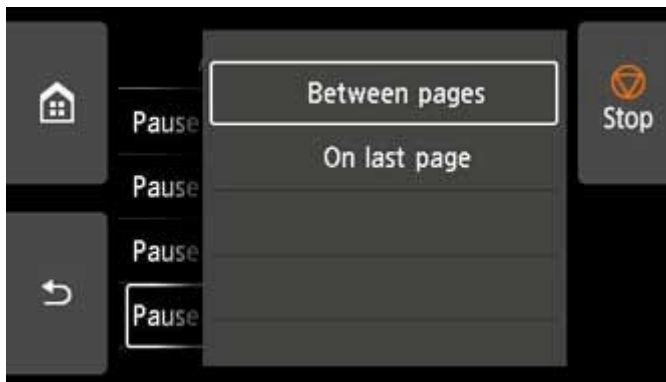
When you use a roll unit mode as a take-up, you set the wait time after you print the last page.

If you have the next page to print, cancel the drying time waiting and print.

### Pause timing priority

You can specify a preferred pause time when using a roll unit as a take-up mode.

Select **Between pages** if you want to print on a per-page basis, and if you prefer the wait time before paper is discharged, select **On last page** if you want to prioritize the wait times after you print the final pages.



## Set on your Computer

Refer to the following for information on setting from your computer.

- ➔ Main Tab Description (Windows)
- ➔ [Advanced Paper Settings](#) (macOS)

## Specifying the Cutting Method for Rolls

How rolls are cut after ejection varies depending on printer settings.

- **Automatic cut**

The roll is automatically cut by the cutter blade according to the printer driver settings.

- Printer Setting

Roll Paper 1/Roll Paper 2 > **Paper settings** > **Advanced** > **Cutting mode** > **Automatic cut**

- Driver Setting

**Automatic Cutting** > **Yes**

- ➡ See "Cutting Roll Paper after Printing" (Windows).
- ➡ See "[Cutting Roll Paper after Printing](#)" (macOS).

- **Eject (when the paper surface is being scratched / to wait for ink to dry)**

Select this to move the cutter by touch screen operation and cut paper. With **Automatic cut**, the paper drops and may rub against the basket, resulting in damage to the print surface, but you can cut using this method and supporting the paper so that it does not drop to avoid damage to the paper. Also, you can prevent paper that has not dried from dropping by visually checking the ink has dried, and then cutting the paper.

After printing, tap **Cut paper** and cut the roll paper on the cutter blade.

- Printer Setting

Roll Paper 1/Roll Paper 2 > **Paper settings** > **Advanced** > **Cutting mode** > **Eject cut**

- Driver Setting

**Automatic Cutting** > **Yes**

- ➡ See "Cutting Roll Paper after Printing" (Windows).
- ➡ See "[Cutting Roll Paper after Printing](#)" (macOS).

- **Manual (when using media that cannot be cut with the cutter blade)**

Select this if the paper cannot be cut on the cutter blade.

Cut each page from the roll using scissors. For continuous printing (if you will cut each page later), select **Automatic Cutting** > **Yes** or select **Print Cut Guideline**.

- Printer Setting

Roll Paper 1/Roll Paper 2 > **Paper settings** > **Advanced** > **Cutting mode** > **User cut**

- Driver Setting

**Automatic Cutting** > **No, Yes, Print Cut Guideline**

- ➡ See "Cutting Roll Paper after Printing" (Windows).
- ➡ See "[Cutting Roll Paper after Printing](#)" (macOS).



- **Paper cutting (to have the roll cut at your specified position)**

Select this when you want to cut the roll paper by operating the cutter blade using the touch screen after printing with **No** or **Print Cut Guideline** selected in **Automatic Cutting** in the printer driver.

Otherwise choose this option if you want to cut the roll edge after loading a roll.

- Printer Setting

Roll Paper 1/Roll Paper 2 > **Feed/cut** > **Cut paper** > **Yes**

- Driver Setting

**Automatic Cutting** > **No, Print Cut Guideline**

➡ See "Cutting Roll Paper after Printing" (Windows).

➡ See "[Cutting Roll Paper after Printing](#)" (macOS).

### ▶▶▶ Note

- Automatic and Eject are valid only when you have selected **Automatic Cutting** > **Yes** in the printer driver.
- With Eject, printing does not resume after a series of jobs have been printed continuously until the roll is cut.
- **Eject cut** is the preset selection in **Cutting mode** for some types of paper. For this paper, we recommend keeping the preset cutting mode.
- If documents printed using Automatic, Eject, or manual cutting are short, rolls are advanced a specific amount before cutting to prevent problems with cutting and paper ejection. This may create a wider bottom margin, in some cases.

Cut rolls manually in the following cases:

## Eject (when the paper surface is being scratched / to wait for ink to dry)

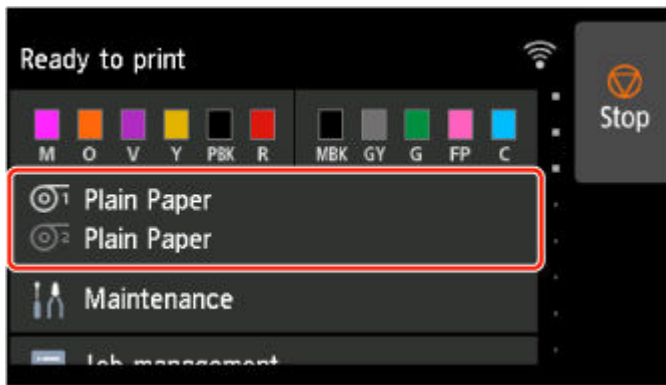
### ▶▶▶ Important

- When cutting wide printed documents after ejection, have two people support the documents. If the paper drops, printed documents may be damaged.
- Do not lift the paper when holding printed documents before cutting. If the paper rises, it may affect the printing quality or cause rough cut edges.

### ▶▶▶ Note

- Once the following step has been performed, the procedure can be started from step 7 the next time.
  - Printing the second and subsequent times
  - Printing after replacing with the same type of paper

1. Tap paper settings display area on Home screen of touch screen.



### ➤➤➤ Note

- If the Home screen does not appear, tap the **HOME** button.

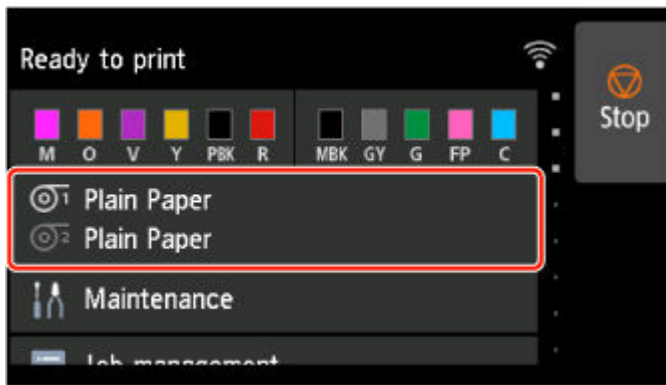
2. Tap paper feed slot where roll paper for which you want to set cutting method is loaded.
3. Tap **Paper settings**.
4. Tap **Advanced**.
5. Tap **Cutting mode**.
6. Tap **Eject cut**.
7. Print the job.  
When printing is finished, the printer will stop without cutting.
8. While holding printed document to prevent it from dropping, tap **Cut paper** to cut roll paper.

## Manual (when using media that cannot be cut with the cutter blade)

### ➤➤➤ Note

- Once the following step has been performed, the procedure can be started from step 8 the next time.
  - Printing the second and subsequent times
  - Printing after replacing with the same type of paper

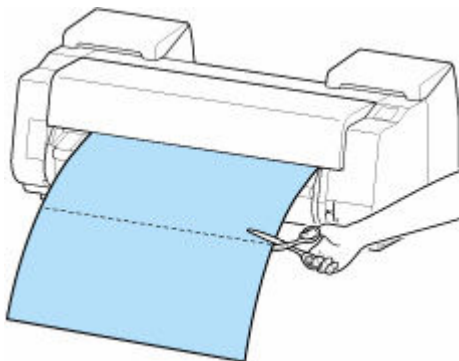
1. Tap paper settings display area on Home screen of touch screen.



### ➤➤ Note

- If the Home screen does not appear, tap the **HOME** button.

2. Tap paper feed slot where roll paper for which you want to set cutting method is loaded.
3. Tap **Paper settings**.
4. Tap **Advanced**.
5. Tap **Cutting mode**.
6. Tap **User cut**.
7. When **Do you want to set to detect the leading edge of the paper?** is displayed, select **Detect (recommended)**.
8. Print the job.  
The printer stops advancing the paper after printing.
9. Tap **Advance paper**.  
Roll paper is fed to the specified cut position and then automatically stopped.
10. Cut the roll paper manually with scissors or the like.



## 11. Tap **OK**.

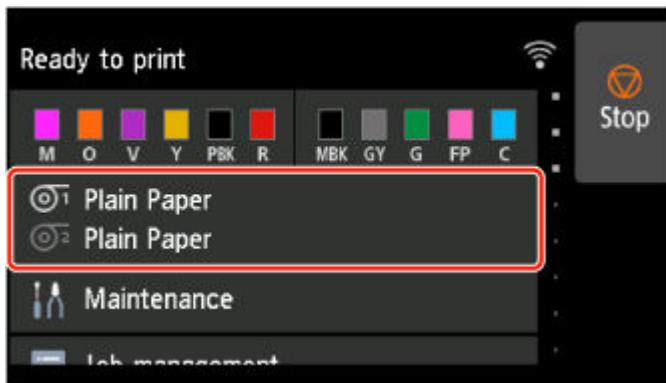
After the roll is rewound, it stops automatically.

## Manual (for paper of which the leading edge rubs the print head)

### ▶▶▶ Note

- Once the following step has been performed, the procedure can be started from step 8 the next time.
  - Printing the second and subsequent times
  - Printing after replacing with the same type of paper

### 1. Tap paper settings display area on Home screen of touch screen.



### ▶▶▶ Note

- If the Home screen does not appear, tap the **HOME** button.

### 2. Tap paper feed slot where roll paper for which you want to set cutting method is loaded.

### 3. Tap **Paper settings**.

### 4. Tap **Advanced**.

### 5. Tap **Cutting mode**.

### 6. Tap **User cut**.

### 7. When **Do you want to set to detect the leading edge of the paper?** is displayed, select **Do not detect**.

### ▶▶▶ Note

- If you set the detection of paper leading edge to **Do not detect**, a margin of about 4.0 inches (10 cm) is created at the paper leading edge when printing starts.

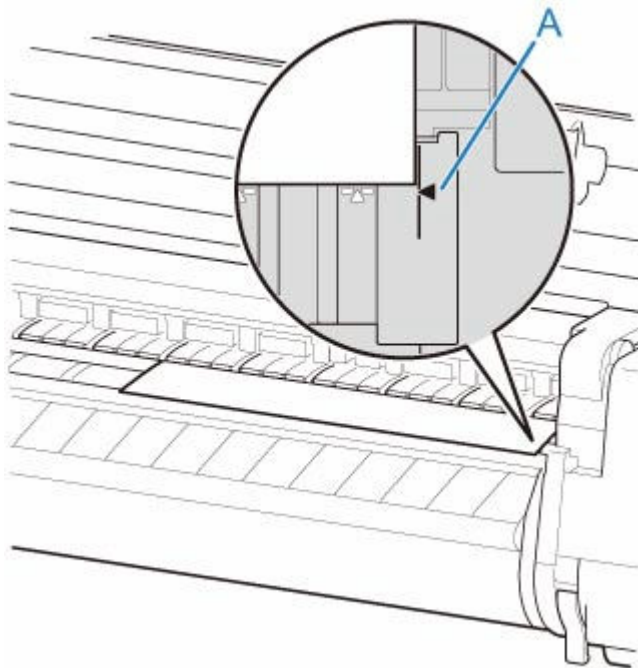
- When the detection of paper leading edge is set to **Do not detect**, printing will start at the position at which the roll was set for the first printing after replacing a roll. Thus, the margin of the paper leading edge will enlarge.

(See "[Loading the Upper Roll on the Printer.](#)")

8. Tap **Back** button twice to display roll paper screen.

9. Tap **Feed/cut**.

10. Tap or touch **Advance** or **Rewind** and align paper's leading edge with position (A).



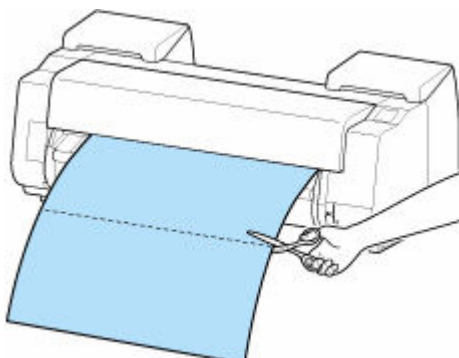
11. Print the job.

The printer stops advancing the paper after printing.

12. Tap **Advance paper**.

Roll paper is fed to the specified cut position and then automatically stopped.

13. Cut the roll paper manually with scissors or the like.

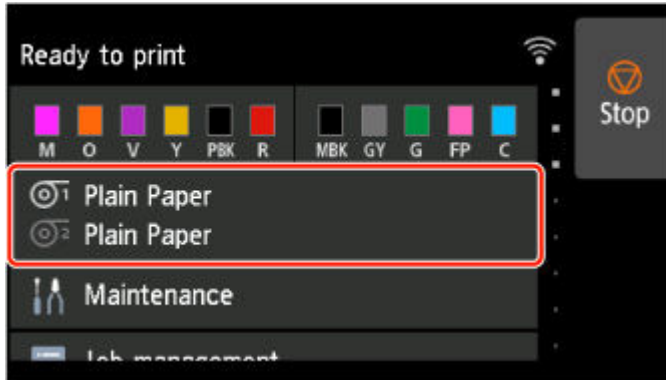


**14. Tap OK.**

After the roll is rewound, it stops automatically.

## **Paper cutting (to have the roll cut at your specified position)**

1. Tap paper settings display area on Home screen of touch screen.



### **▶▶▶ Note**

- If the Home screen does not appear, tap the **HOME** button.

2. Tap paper feed slot where roll paper you want to cut is loaded.
3. Tap **Feed/cut**.
4. Tap or touch **Advance** or **Rewind** to feed roll paper to desired cutting position.
5. Tap **Cut paper**.
6. Tap **Yes**.

After the roll paper is cut, it is rewound automatically.

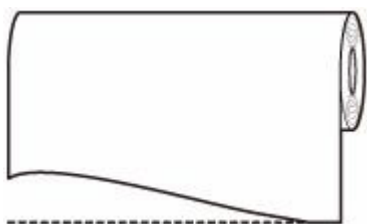
## Cutting the Leading Edge of Roll Paper Automatically

If the leading edge of the paper is cut crooked or is not cut straight when roll paper is loaded, it will not print correctly. If this happens, you can cut the leading edge of the paper straight when loading a paper roll by using **Trim edge first** in the touch screen menu.

The following settings are available for **Trim edge first**.

- **Auto**

If the leading edge of the paper is cut crooked and is not cut straight when loading roll paper, cut the leading edge straight and eject the fragment of paper to prevent printing on the platen and soiling the printer.



- **On(Preset Length)**

The amount to cut from the leading edge of the paper varies depending on the media type and is cut to a prescribed length. For the leading edge pre-cut length, see "Paper Information List".

- **On(Input Length)**

Specify the amount to cut from the leading edge of paper on the touch screen. The amount to cut from the leading edge can be specified in the range of lengths that appear on the touch screen. The range of lengths differs according to the media type.

▶▶▶ **Note**

- The amount to cut from the leading edge of paper cannot be set shorter than the length that appears on the touch screen.

- **Manual**

The amount to cut from the leading edge of paper can be adjusted by using the touch screen.

To cut the paper after adjusting, tap **Cut paper** and **Yes**.

After cutting the paper, tap **Complete paper loading**.

▶▶▶ **Note**

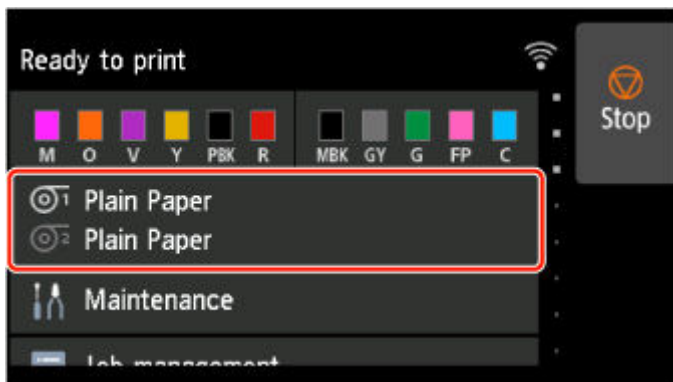
- If you do not tap **Complete paper loading** after cutting the paper, you cannot print the next job.

- **Off**

The edge is not cut and scraps are not removed.

Follow these steps to change the **Trim edge first** setting.

1. Tap paper settings display area on Home screen of touch screen.



### ▶▶▶ Note

- If the Home screen does not appear, tap the **HOME** button.

2. Tap  or .

3. Tap **Paper settings**.

4. Tap **Advanced**.

5. Tap **Trim edge first**.

6. Tap desired **Trim edge first** settings.

This setting takes effect the next time you load a roll.



## Reducing Dust from Cutting Rolls

If the paper tends to generate dust when cut, such as with Backlit Film, you can reduce flying dust by setting **Cut-dust reduction** to **ON** from the touch screen menu, which will coat the leading and trailing edges of the printed document with ink. As a result, you can reduce problems with the print head. You can set **Cut-dust reduction** according to the media type.

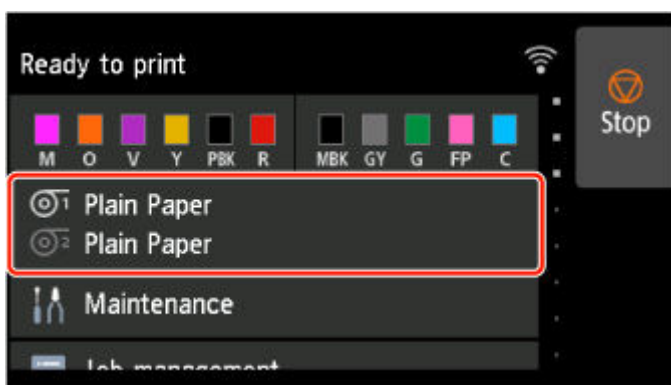


### Important

- Do not set **Cut-dust reduction** to **ON** for paper that wrinkles easily, such as **Plain Paper** or lightweight paper. If not cut properly, the paper may jam.
- Borderless printing is not available when **Cut-dust reduction** is set to **ON**. When performing borderless printing, set **Cut-dust reduction** to **OFF**.



Follow these steps to set **Cut-dust reduction** to **ON**.

1. Tap paper settings display area on Home screen of touch screen.



### Note

- If the Home screen does not appear, tap the **HOME** button.

2. Tap  or  area.
3. Tap **Paper settings**.
4. Tap **Advanced**.

**5. Tap Cut-dust reduction.**

**6. Tap ON.**

## Automatically Switch Rolls

---

By using the roll unit as a roll paper feed device, you can load an upper roll (Roll 1 on printer) and a lower roll (Roll 2 on the roll unit), and print on while automatically changing between Roll 1 and Roll 2 depending on the print job.

For details on how to switch between Roll 1 and Roll 2, see "How to Switch Paper Rolls" (Windows) or "[How to Switch Paper Rolls](#)" (macOS).

### Important

- If **Paper retention settings** is set to **Release**, automatic switching of roll paper cannot be used.

## **Handling sheets**

---

- **Loading Sheets in the Printer**
- **Changing the Type of Paper**
- **Printing From a Desired Starting Point**
- **Removing Sheets**
- **Remove a Jammed Sheet**
- **Specifying the Ink Drying Time**

## Loading Sheets in the Printer

Follow these steps to load sheets in the printer.

### ▶▶▶ Important

- Paper that is wrinkled or warped may jam. If necessary, straighten the paper and reload it.
- Load the paper straight. Loading paper askew will cause an error. (See "[1317](#).")
- If you are not using the stand, make sure there is no object under the printer. If there is any object under the printer, it may cause damage of the paper or jamming.

### ▶▶▶ Note

- Before loading cut sheets, check whether or not the inside of the top cover or the output guide is soiled. If these areas are dirty, we recommend cleaning them in advance. (See "[Cleaning Inside the Top Cover](#).")
- Store unused paper in the original package, away from high temperature, humidity, and direct sunlight.

#### 1. Select sheets as the paper source.

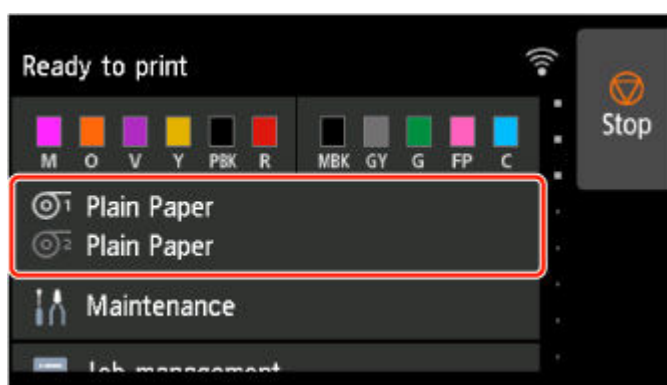
- **If a print job was received**

Sheets are automatically selected, and the media type and size specified by the print job are shown on the touch screen.

Tap **OK** and **Load paper**.


- **If no print job was received**

1. Tap paper settings display area on touch screen.



### ▶▶▶ Note

- If the Home screen does not appear, tap the **HOME** button.

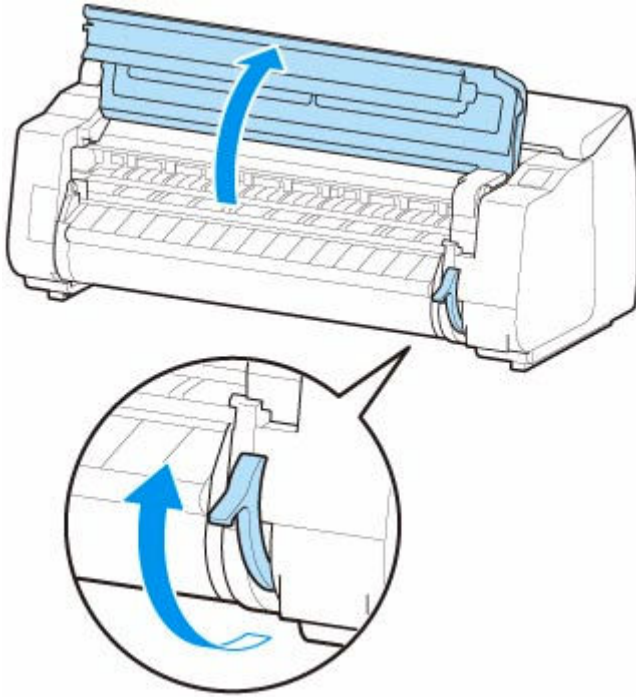
2. Tap  area.
3. Tap **Load paper** or **Replace paper**.

▶▶▶ **Note**

- If any paper has been advanced that will not be used, a message is shown requesting you to remove it.

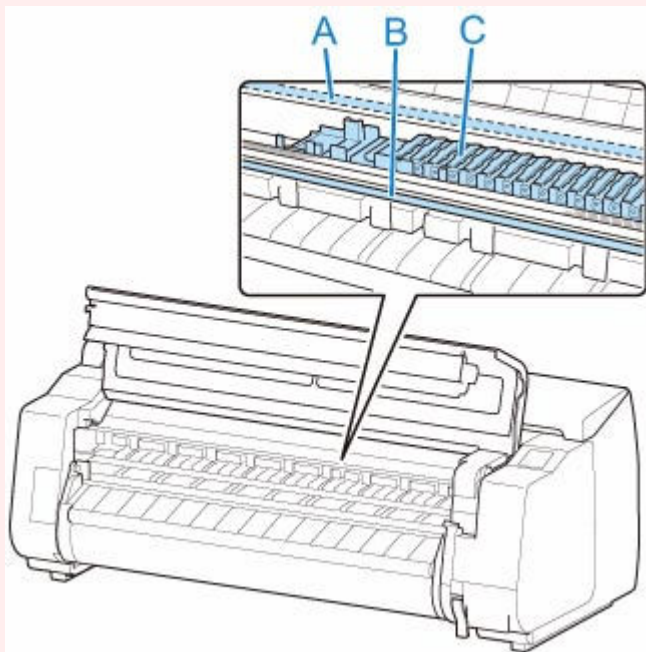
Follow the instructions on the screen to remove the paper, and redo the operation.

2. Open top cover and lift release lever.



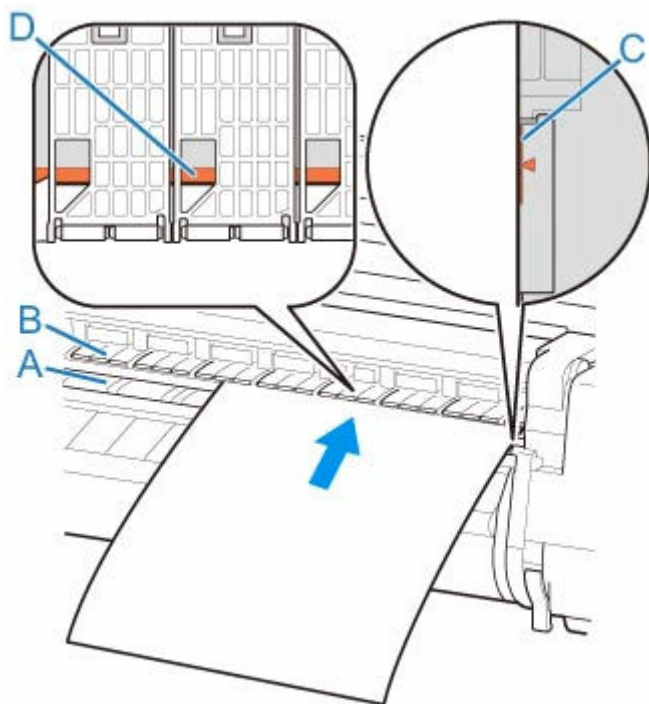
▶▶▶ **Important**

- Do not touch Linear Scale (A), carriage shaft (B), or Ink Tube Stabilizer (C). Touching these parts may damage them.



3. Place cut sheet with the print side up, insert in portrait orientation between platen (A) and paper retainer (B), and align paper's far edge using the following steps.

1. Load while aligning with right side paper alignment line (C).
2. Align far edge of inserted sheet with leading edge of paper alignment line (D) as shown.



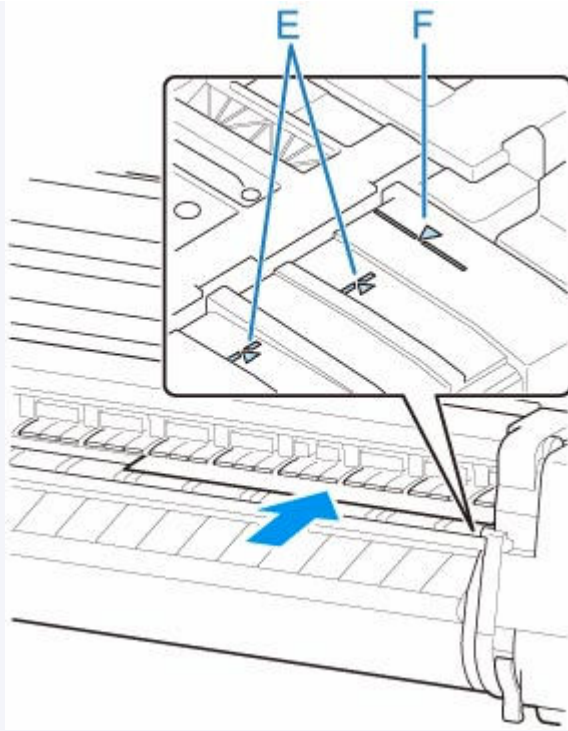
When you insert the sheet, it will adhere automatically to the surface of the platen.

#### ►► Important

- Load the sheet so that it is parallel to the right paper alignment line (C). Loading paper askew will cause an error.
- Warped paper may rub against the print head. Straighten paper if it is warped before loading.

#### ►► Note

- You can also align the cut sheet based on its near edge. In this case, load the cut sheet aligning its near edge with marks (E) on the platen and the right edge with the right-side paper alignment line (F).



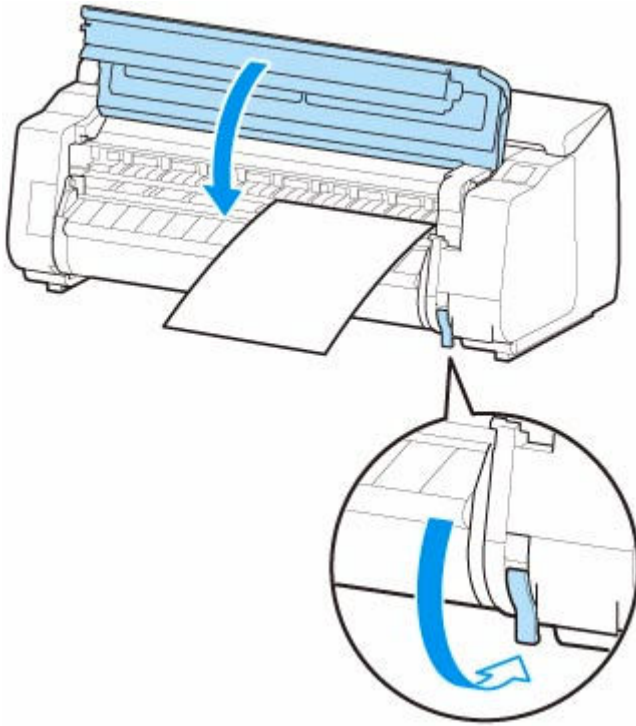
- You can adjust the vacuum strength holding the paper against the platen when the release lever is up. If it is difficult to load the paper, tap **Suction** on the touch screen and adjust the vacuum strength. You can adjust the vacuum strength to 5 levels.

However, even if you increase the suction, it may not be sufficient to hold some types of paper against the platen well. In this case, use your hand to load the paper.

- Sheets are held in place by suction through holes on the platen. Although the suction may produce a noise when paper is loaded in some positions, it does not indicate a problem. If the noise is distracting, try moving the paper over slightly to the left or right (up to 0.04 inch (1 mm)) while keeping it parallel to the paper alignment line.
- The suction remains on for about 30 seconds during loading. If you cannot finish loading a sheet during this time, pull the sheet away and reinsert it to start the suction again.

#### 4. Lower release lever and close top cover.





- **If a print job was received**

Printing will start after paper feeding when you follow touch screen instruction.

- **If no print job was received**

A menu for selecting the media type appears.

Paper feeding will start when you select the media type of the loaded paper.

**▶▶▶ Note**

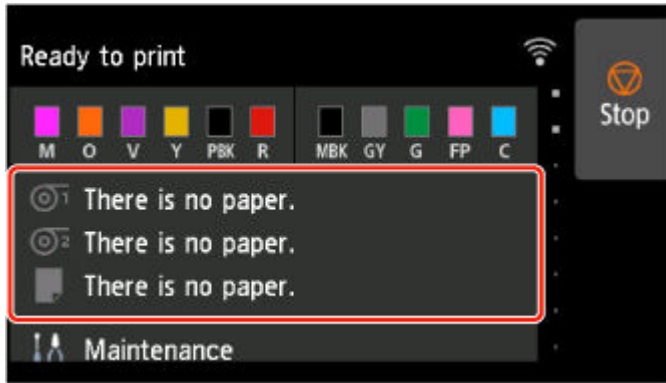
- For details on media types that you can select, see "Paper Information List."

## Printing From a Desired Starting Point

Print on sheets from a desired starting point as follows.


### Setting Detect paper width to Disable

1. Tap paper settings display area on Home screen of touch screen.



#### ▶▶▶ Note

- If the Home screen does not appear, tap the **HOME** button.

2. Tap  area.
3. Tap **Paper settings**.
4. Tap **Advanced**.
5. Select **Detect paper width** and tap **Disable**.

### Load paper in the desired position to start printing from

Follow these instructions to load paper at the desired starting position for printing when **Detect paper width** is set to **Disable**.

1. If you did not send a print job in advance, a menu for selection of the type of paper is displayed.

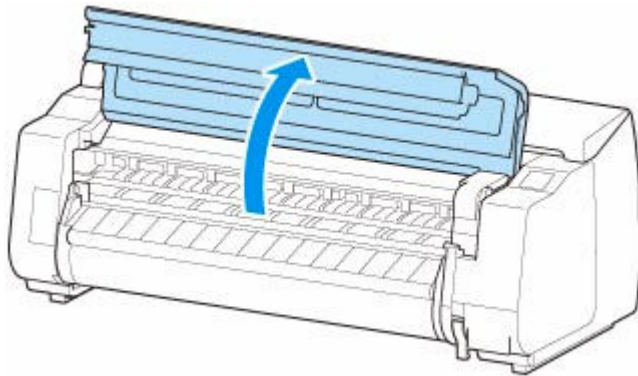
Tap media type loaded.

#### ▶▶▶ Note

- If a print job was received before the paper was fed, the media type and size specified by the job are shown on the touch screen.

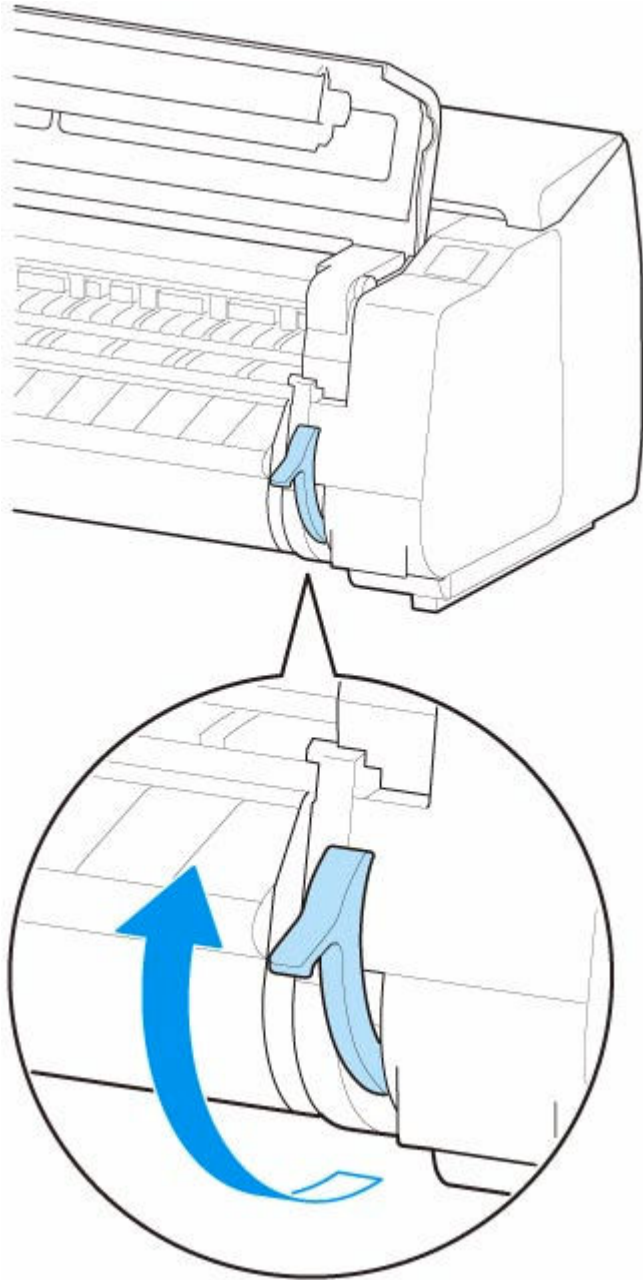
Go to step 2.

2. When "[Detect paper width] is disabled. Do you want to keep it disabled and continue?" appears on touch screen, tap **Keep it disabled and continue**.
3. Open top cover and check position where paper is loaded.

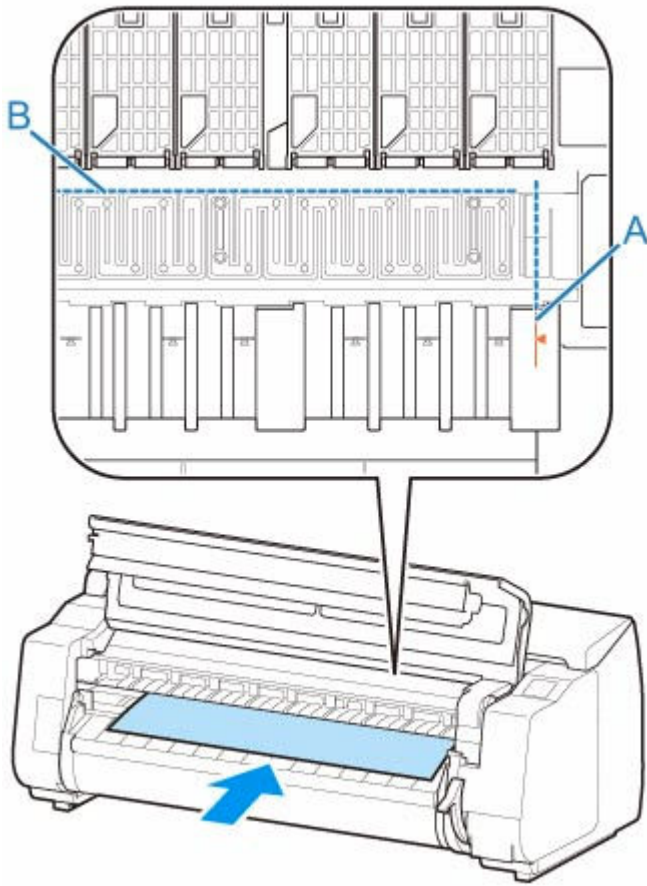


To start printing from the current position, close the top cover.

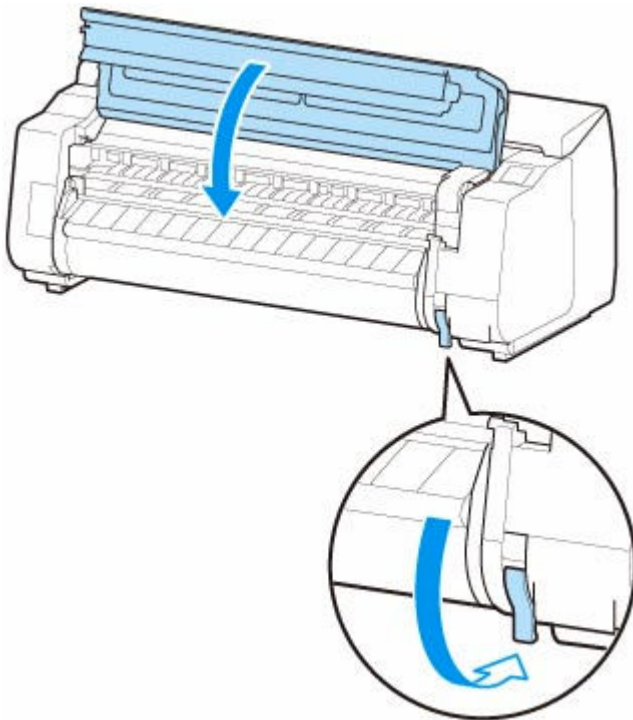
To reposition the paper, lift the release lever.



4. Load paper keeping right edge of paper aligned with extended line of paper alignment line (A) on right side of printer and position from which to start printing aligned with groove (B) at far end of platen.



5. Lower release lever and close top cover.

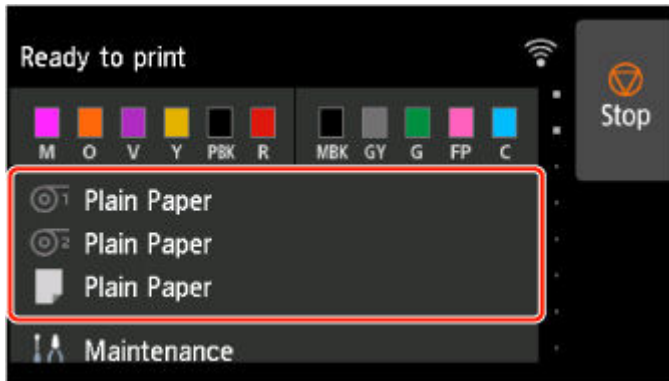


6. When screen for selecting paper size appears, select size of paper loaded.

## Removing Sheets


Remove sheets from the printer as follows.

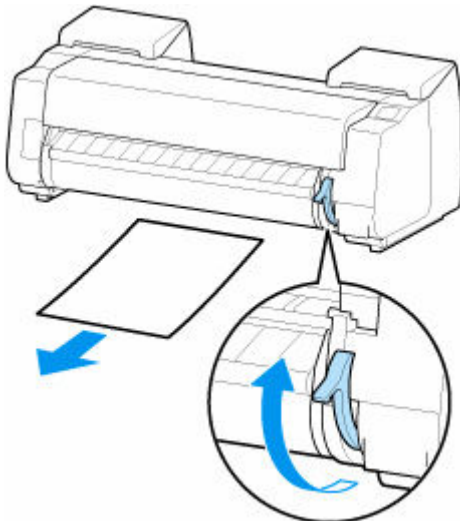
1. Tap paper settings display area on Home screen of touch screen.



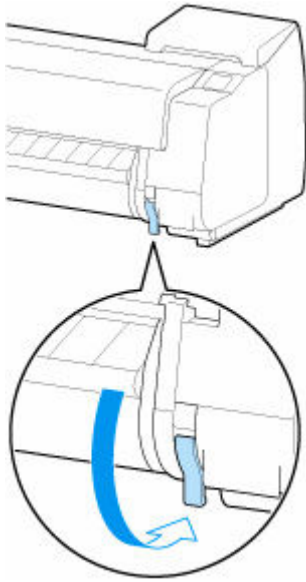
### ▶▶▶ Note

- If the Home screen does not appear, tap the **HOME** button.

2. Tap  area.
3. Tap **Remove paper**.
4. Check touch screen message and tap **Yes**.
5. When instructions for removing sheet appear on touch screen, lift release lever while holding sheet, and remove sheet.



6. Lower release lever.



## **Basket**

---

- **Using the Basket**
- **Example Basket Configurations**
- **Storing the Basket**



## Using the Basket

By changing the following four items for the basket, you can use the basket in various ways to suit your application.

- Length of basket arm
- Tilt of basket arm
- Attachment position of basket
- Length of basket

This section describes how to change the basket.

For specific examples of basket use, see "[Example Basket Configurations.](#)"

### **»» Important**

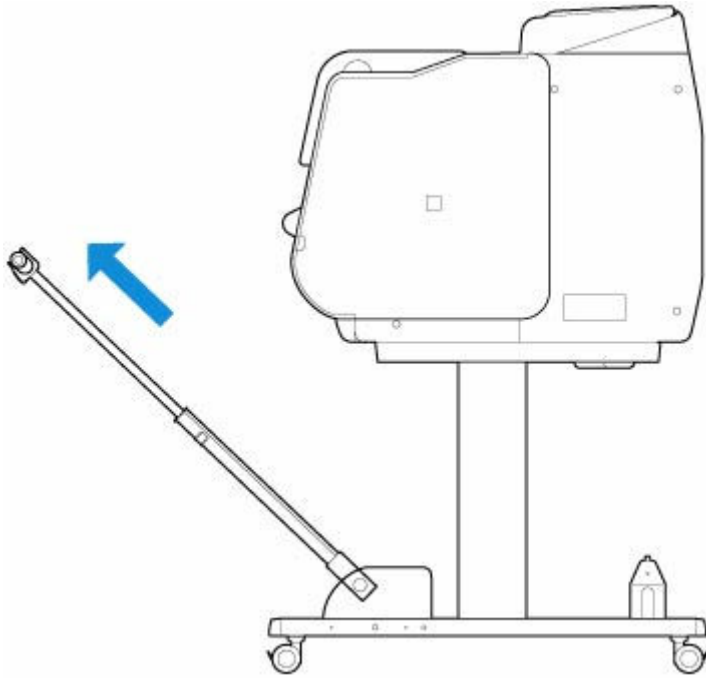
- When changing the position of the basket, first return the basket to a unwound state while pressing the basket rewind button on the right end of the basket rod (tag side), and then make the change.
- If the basket rod (tag side) has come off the basket arm, attach it by inserting the projections on both ends of the basket rod (tag side) into oval holes on the tip of the basket arm.
- When moving the printer, remove the basket.
- Do not apply excessive force to the basket. Doing so may damage the basket.
- If the cloth part of the basket becomes dirty, wipe off the dirt without washing. Washing it may affect the performance of the basket.

### **Changing Length of basket arm**

You can change the length of the basket arm in two steps.

To lengthen, expand the left/right basket arm in the direction of the arrow.

To shorten, contract the left/right basket arm in the opposite direction of the arrow.

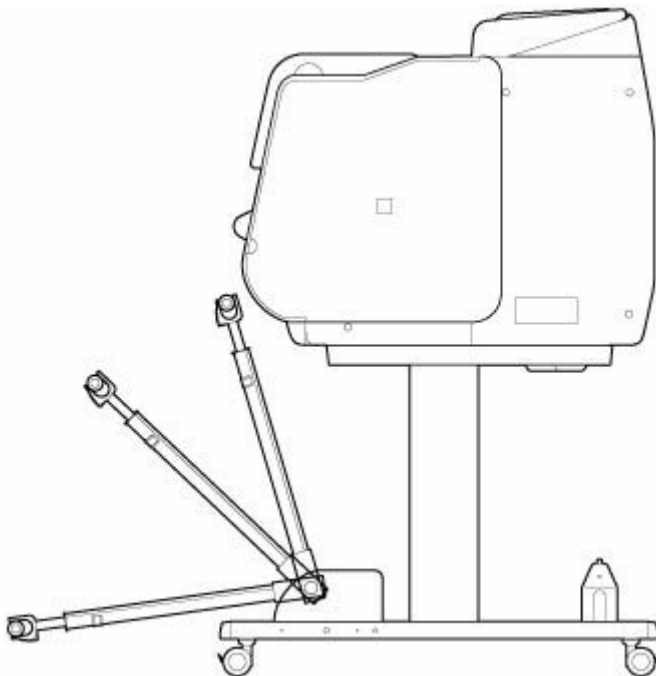


### »» Important

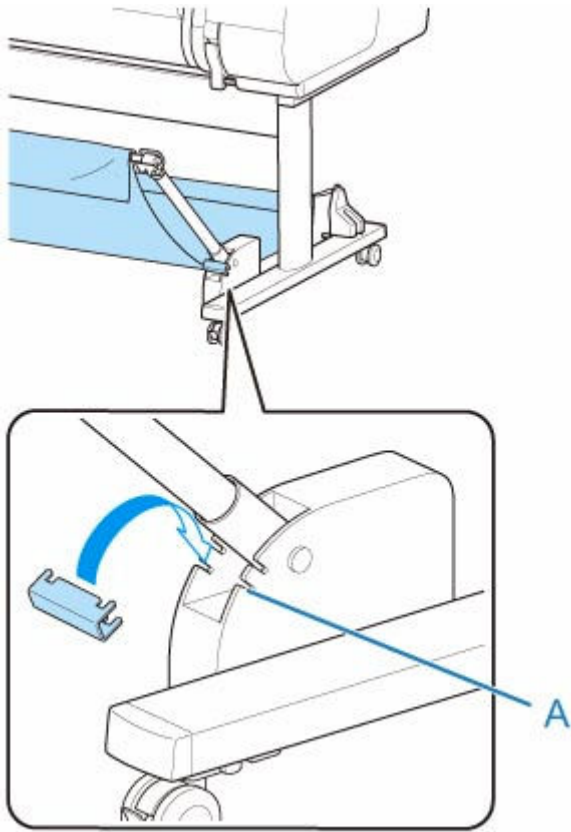
- When lengthening the basket arm, first return the basket to an unwound state while pressing the basket rewind button on the right edge of the basket rod (tag side), and then make the change.

## Changing Tilt of basket arm

You can change the tilt of the basket arm in three steps.



When securing the basket arm, attach the basket locking support to the basket arms (A) on both sides.



### ►► Important

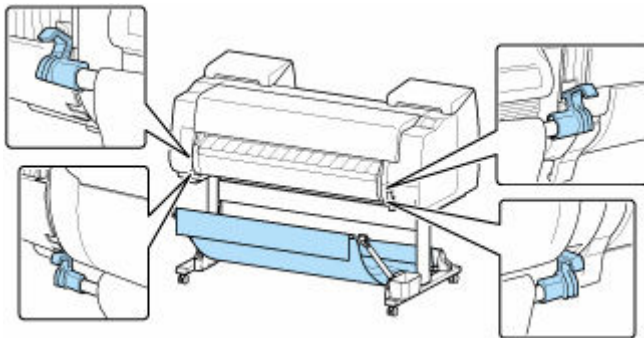
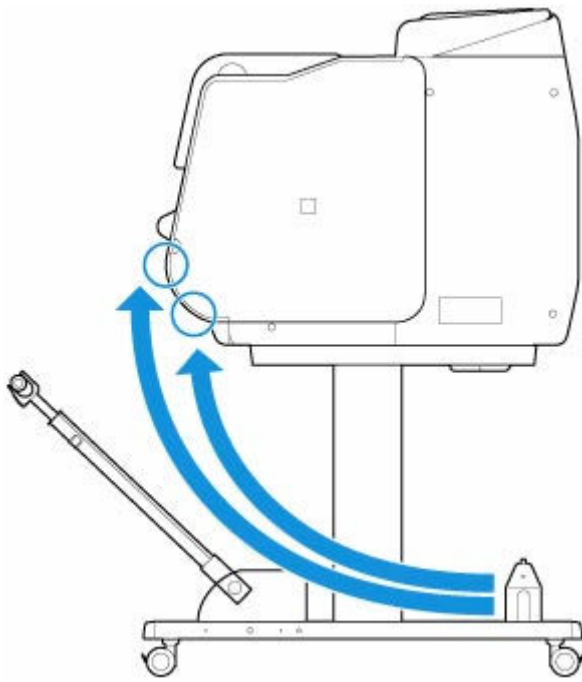
- If you are changing the angle of the basket arm, make sure the thick part of the basket arm is pulled out as far as possible.
- When changing the angle of the basket arm, hold the thick part of the left/right basket arm, and adjust them.
- While using the basket locking support, do not apply excessive force to the orientation in which you lower the basket arm. Doing so may damage the basket.
- While using the basket locking support, you cannot use "[Printing on Large-Format or Easily Damaged Paper \(Position 3\)](#)." When using this position, detach the basket locking support.
- While using the basket locking support, you cannot store the basket. When you store the basket, detach the basket locking support.

➔ [Storing the Basket](#)

## Changing Attachment Position of basket

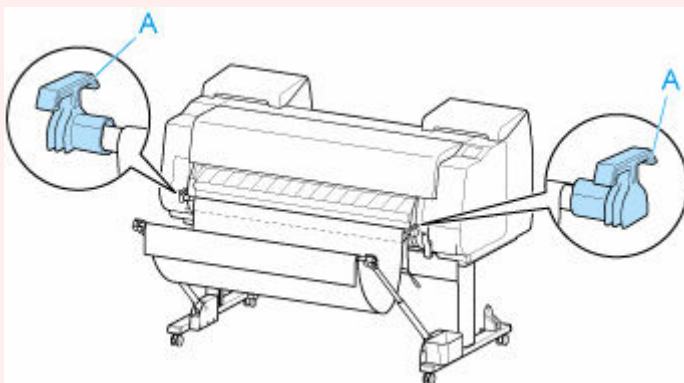
You can attach the basket rod (cord side) to the stand's rod holder or the front of the printer.

To attach, hang both sides of the basket rod (cord side) on the paired attachment locations shown in the illustration.



### ►► Important

- When attaching the basket rod (cord side) to the front of the printer, make sure both ends of the rod (A) are securely hooked onto the attachment parts.

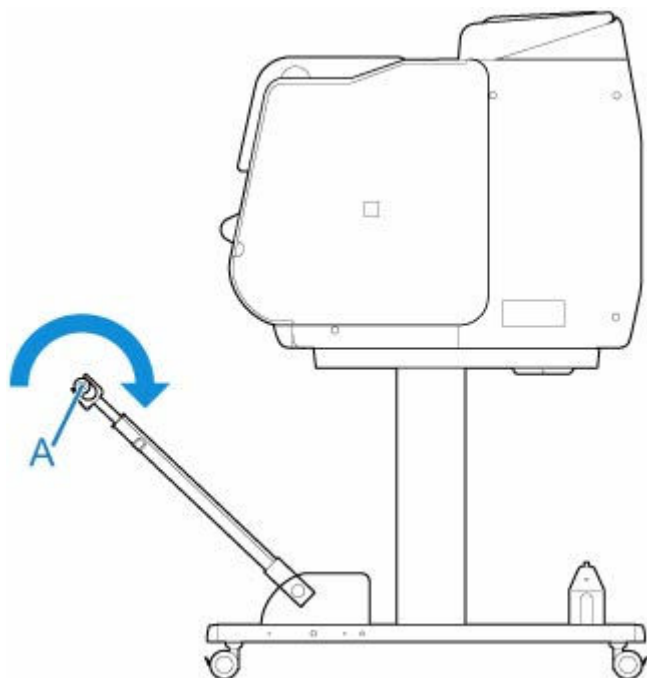


### Changing Length of basket

You can adjust the basket length by rotating the basket rod (tag side).

To shorten, rotate the basket rod (tag side) in the direction of the arrow to wind the basket.

To lengthen, rotate the basket rod (tag side) in the opposite direction of the arrow while pressing the basket rewind button (A) on the right end of the basket rod (tag side). You can return the wound basket to its original position.



## Example Basket Configurations

Various positions are possible for the basket that collects the printed materials.

In this section, we present the following five positions as examples of using the basket. Switch the position of the basket to suit to the media type and the print job.

- ➔ [Using Without roll unit \(Position 1\)](#)
- ➔ [Using With roll unit \(Position 2\)](#)
- ➔ [Printing on Large-Format or Easily Damaged Paper \(Position 3\)](#)
- ➔ [Stacking Printed Materials \(Position 4\)](#)
- ➔ [Moving Printed Materials to Next Work Area Immediately \(Position 5\)](#)

For instructions on switching the basket position, see "[Using the Basket](#)."

### ▶▶▶ Important

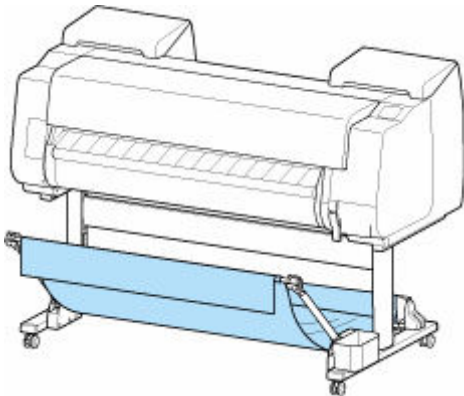
- If replacing the roll paper or using the roll unit as a take-up device, you must store the basket. For instructions on storing the basket, see "[Storing the Basket](#)."
- If the printed materials collected are damaged or folded, select **Eject cut** in **Cutting mode** or use the basket in a different position. (See "[Specifying the Cutting Method for Rolls](#).")

### ▶▶▶ Note

- For details on the printer dimensions when using the basket, see "[Specifications](#)."

## Using Without roll unit (Position 1)

You can use the basket in the following positions when not using the roll unit.



### ▶▶▶ Important

- The number of sheets that can be collected in the basket is one. If printing multiple pages, print after removing each sheet.
- If using the roll unit as a feed device, we recommend using it as described in "[Using With roll unit \(Position 2\)](#)".
- If using the roll unit and using the Position 1 basket, the printed materials may come in contact with the roll unit depending on the paper, resulting in damage.

- If using the roll unit as a feed device and using the Position 1 basket, the ejected roll paper's cut end enters the roll unit and may cause a paper jam or affect the print quality when set to **Borderless Printing** or **Trim edge first** when loading the paper.
- Roll paper up to 62 inches (1,575 mm) in length can be collected in the basket. If printing on longer roll paper, use as described in "[Printing on Large-Format or Easily Damaged Paper \(Position 3\)](#)" or use with the roll unit as the take-up device.

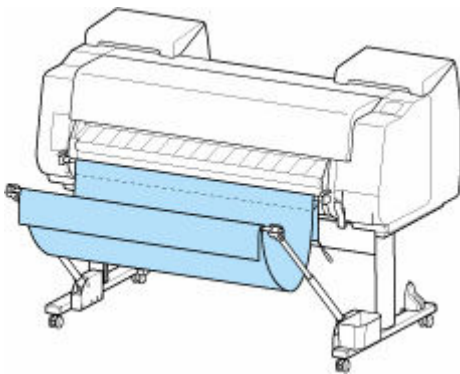
## Using With roll unit (Position 2)

You can use the basket in the following positions when using the roll unit as a feed device.

This position is useful also when rewinding printed roll paper by hand.

Move the basket rod (cord side) to the upper of the two pairs of attachment locations on the front of the printer, and extend the basket arm as far as possible at the angle shown to achieve this position.

You can adjust the basket length so that it is easy to use.



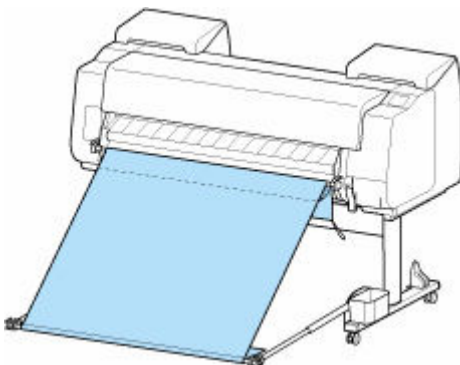
### ►► Important

- You can place up to approximately 4.41 lbs (2 kg) of printed materials in the basket. If the weight of the printed materials is greater than that, the basket may fall over.

## Printing on Large-Format or Easily Damaged Paper (Position 3)

If printing on large-format or easily damaged paper, you can use the basket in the following position.

Move the basket rod (cord side) to the upper of the two pairs of attachment locations on the front of the printer, extend the basket arm as far as possible, and lower it to the angle shown. Next, adjust the length so that the basket is pulled into this position.



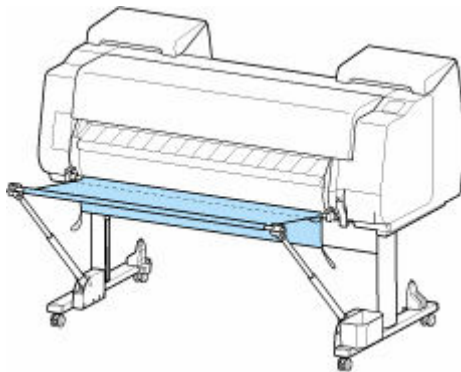
## ▶▶▶ Important

- Always select **Eject cut** in **Cutting mode** when used in this position. If you select **Automatic cut**, the printed materials may be damaged. (See "[Specifying the Cutting Method for Rolls.](#)")
- Be extra careful when using paper that tends to curl or is damaged easily in this position.
- With some types of paper, the leading edge may curl or bend during ejection. In this case, straighten out the paper. Printed documents may be damaged if the paper is curled or bent.
- Depending on the paper, the paper may be caught between the output guide and the basket when being ejected. In this case, fix the paper that is caught. If the paper is caught, printed documents may be damaged.

## Stacking Printed Materials (Position 4)

You can use the basket in following positions when you want to stack printed materials.

Move the basket rod (cord side) to the lower of the two pairs of attachment locations on the front of the printer, extend the basket arm as far as possible in the angle shown. Next, adjust the length so that the basket is pulled into this position.



## ▶▶▶ Important

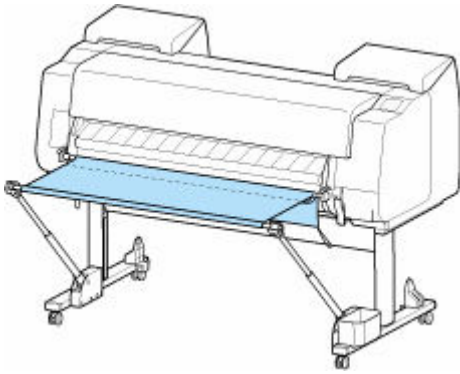
- In the following cases, use as described in "[Using Without roll unit \(Position 1\)](#)" or "[Using With roll unit \(Position 2\)](#)". If printing multiple pages in these positions, print after removing each sheet.
  - Printed materials other than A2 portrait
  - Paper curls an extreme amount due to paper characteristics and printing environment
  - If there is not much paper remaining on the roll, and the paper curls an extreme amount

## Moving Printed Materials to Next Work Area Immediately (Position 5)

You can use the basket in the following position when moving the printed materials to the next work area immediately.

Move the basket rod (cord side) to the upper of the two pairs of attachment locations on the front of the printer, extend the basket arm as far as possible in the angle shown. Next, adjust the length so that the basket is pulled into this position.





### ►► Important

- Be extra careful when using paper that tends to curl or is damaged easily in this position.
- With some types of paper, the leading edge may curl or bend during ejection. In this case, straighten out the paper. Printed documents may be damaged if the paper is curled or bent.
- Depending on the paper, the paper may be caught between the output guide and the basket when being ejected. In this case, fix the paper that is caught. If the paper is caught, printed documents may be damaged.

## Storing the Basket

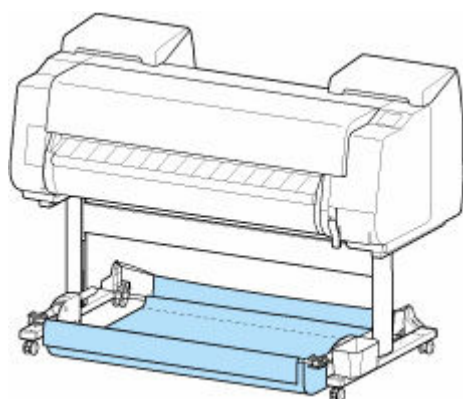
Store the basket in the following two positions when not in use. Select the position to suit the circumstances.

- ➔ [If Changing Roll Paper or Using roll unit as Take-up Device](#)
- ➔ [Using Without basket \(Only When roll unit Is Not Used\)](#)

### If Changing Roll Paper or Using roll unit as Take-up Device

If replacing the roll paper or using the roll unit as a take-up device, store the basket.

You can store the basket, by attaching the basket rod (cord side) to the rod holder, lowering the basket arm until level, and then pushing as far back as possible.

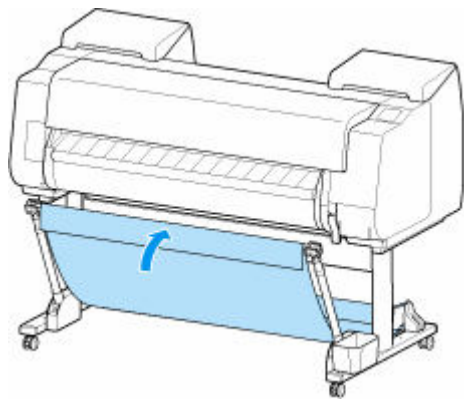


### Important

- If changing the basket position, first release and rewind the basket. If it is not released and rewound, the change may not be performed smoothly, or the basket may be damaged. (See "[Using the Basket](#)").
- If you are changing the angle of the basket arm, make sure the thick part of the basket arm is pulled out as far as possible.
- If the basket rod (tag side) has come off the basket arm, attach it by inserting the projections on both ends of the basket rod (tag side) into oval holes on the tip of the basket arm.
- Do not apply excessive force to the basket. Doing so may damage the basket.

### Using Without basket (Only When roll unit Is Not Used)

If you are not using the roll unit, you can easily store the basket by holding the thick parts of the left/right basket arm in the Position 1 (See "[Example Basket Configurations](#).") state, and moving them in the direction of the arrow.



## **Roll Unit**

---

- **Switching Roll Unit Modes**
- **Using the Roll Unit In Take-Up Mode**
- **Removing Printed Paper from the Roll Unit**

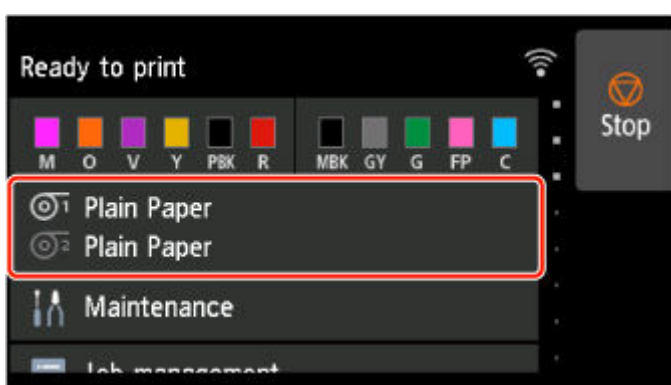
## Switching Roll Unit Modes

Before using the roll unit, follow these steps to select the mode you want to use.

### Important



- After switching the roll unit function, you must use a separate computer to apply the roll unit settings to the printer driver. For details, see "Reflect Roll Unit Settings in the Printer Driver" (Windows) or "[Reflect Roll Unit Settings in the Printer Driver](#)" (macOS).
- If you change the roll unit from a take-up device to a feed device, first cut the paper that has been taken up.

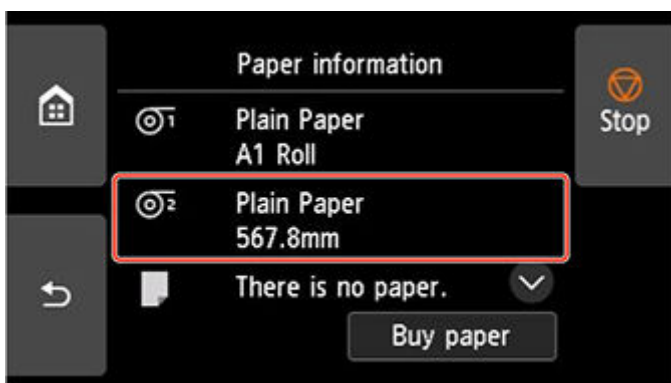
1. Tap paper settings display area on Home screen of touch screen.



### Important

- If the Home screen does not appear, tap the **HOME** button.

2. Tap  or  area.



3. Change function of roll unit.

#### • Using as feed device

1. Tap **Roll unit use settings**.
2. Tap **ON** when message confirming roll unit's change to feed mode appears.

### ▶▶▶ Note

- If you change the mode without cutting the roll paper with the printer's cutter, a screen confirming whether or not the paper taken up has been cut appears after you tap **ON**. If the paper has not been cut, select **No** and cut the paper that has been taken up first.

3. Load roll paper on roll unit.

For details, see "[Loading the Lower Roll on the Roll Unit \(Option\)](#)."

#### • Using as take-up device

1. Tap **Roll unit use settings**.
2. Tap **ON** when message confirming roll unit's change to take-up mode appears.
3. Tap to select paper cutting settings when using take-up mode.

### ▶▶▶ Note

- If you selected **Do not cut**, the roll paper will not be cut after printing regardless of the **Cutting mode** setting (See "[Specifying the Cutting Method for Rolls](#)." on the printer. Select this option when you want to print multiple pages consecutively without cutting.
- If you selected **Use the cutting mode setting**, cutting for each page will be performed according to the **Cutting mode** setting (See "[Specifying the Cutting Method for Rolls](#)." on the printer.
- If you select **Use the cutting mode setting**, and **Automatic cut** is set in the **Cutting mode** settings (See "[Specifying the Cutting Method for Rolls](#)." on the printer, we recommend setting **Wind up after cutting** to **Enable**. When set to **Disable**, a printed document that has been taken up is cut automatically without being pressed, resulting in fraying.
- If roll paper is loaded from the roll unit to the printer, a screen confirming whether or not to remove the roll paper appears. If you select **Yes**, the roll paper is positioned so that it can be removed and the roll unit changes to a take-up device.

4. Tap **Yes** or **No** when message confirming whether roll unit will be used immediately in take-up mode appears.

If you tap **Yes**, the steps for loading the paper on the roll unit appear on the touch screen.

If you tap **No**, the operation ends here. Load the paper on the roll unit when printing. However, in this case, you must load the paper while printing is progressing, so instructions will not appear on the touch screen.

For details on loading paper on the roll unit set as a take-up device, see "[Using the Roll Unit In Take-Up Mode](#)."

### ▶▶▶ Note

- If you select **Yes**, a margin of approximately 23.62 inches (600 mm) is generated at the leading edge because the roll paper advances to the roll unit before printing.

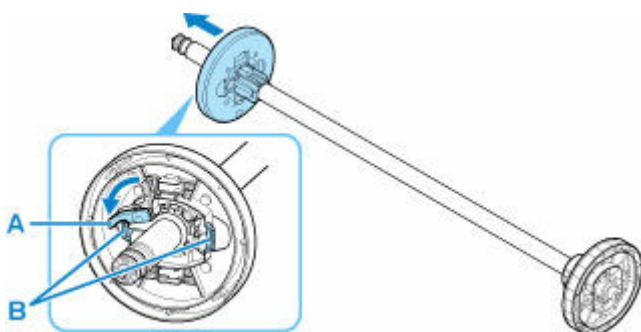
## Using the Roll Unit In Take-Up Mode

### ►► Important

- For details on the roll paper compatible with winding, see "Paper Information List."
- Before loading the roll paper to be taken up on the roll unit, set the roll unit mode to take-up device on the printer touch screen. (See "[Switching Roll Unit Modes](#).")
- The following operation assumes that the roll holder is not installed on the roll unit and that roll paper is not loaded on the roll holder. If the roll holder is installed on the roll unit, first remove the roll holder from the roll unit, and then remove the roll paper loaded on the roll holder. (See "[Removing the Lower Roll from the Roll Unit \(Option\)](#)." ) (See "[Removing Rolls From the Roll Holder](#)." )
- Paper winding is possible until the outer diameter of the wound paper is the same as the outer diameter of the holder stopper.

1. Store basket. (See "[Storing the Basket](#)." )

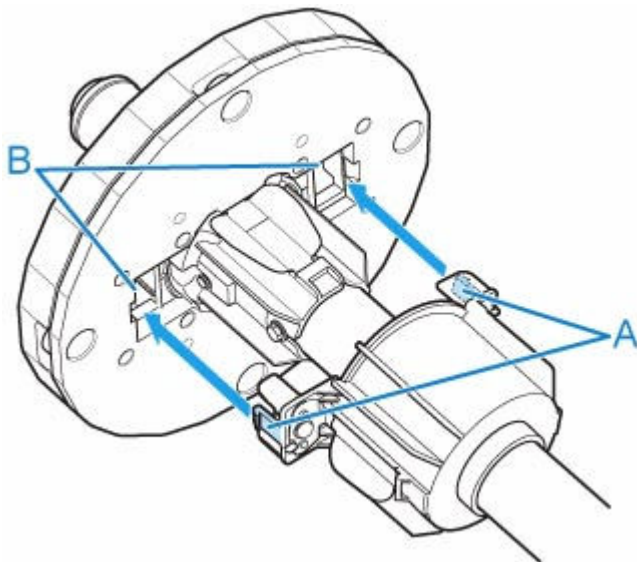
2. Rotate the holder stopper lever (A) towards  to release the lock, and while holding it in position (B), remove holder stopper from the roll holder.



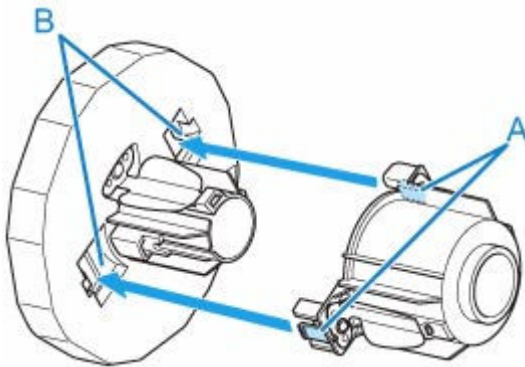
3. If taking up roll paper whose paper core has an inner diameter of 3 inches (76.2 mm), insert 3-Inch Paper Core Attachment in roll holder and holder stopper.

Align the 3-Inch Paper Core Attachment tabs (A) with the holes on the roll holder or holder stopper (B) and insert firmly.

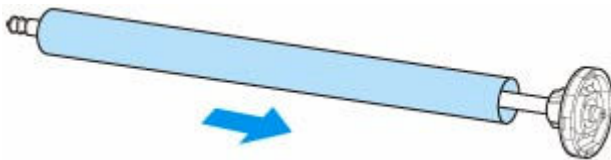
- roll holder Side



- holder stopper Side




4. Insert paper core, which is for winding roll paper, into roll holder.

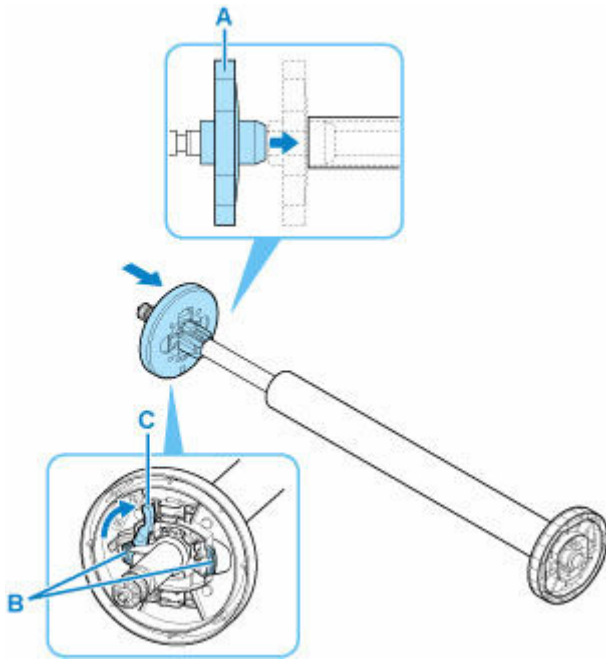


**▶▶ Important**

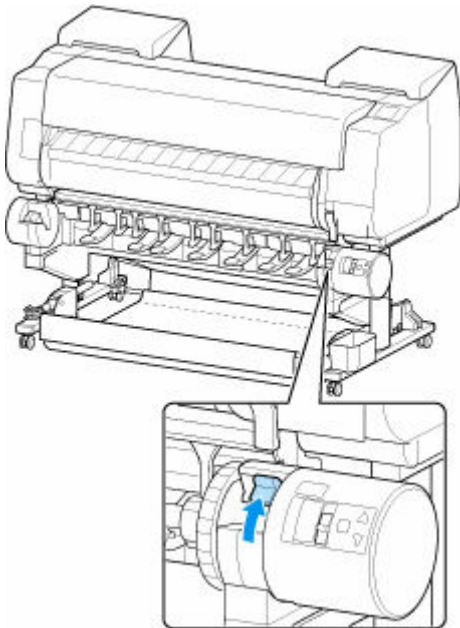
- We recommend using a paper core that is wider than the paper to be wound when winding paper. If you use a narrower paper core, use with a gap between the holder stopper and the paper.
- Always use a paper core for winding that is the same thickness or is thicker than the roll paper's paper core. If you use a paper core that is thinner, it may affect take up.

5. Insert holder stopper from left into roll holder as shown, and then while holding in position (B), push firmly until holder stopper flange (A) touches paper core. Lock the holder stopper lever (C) by rotating it towards .

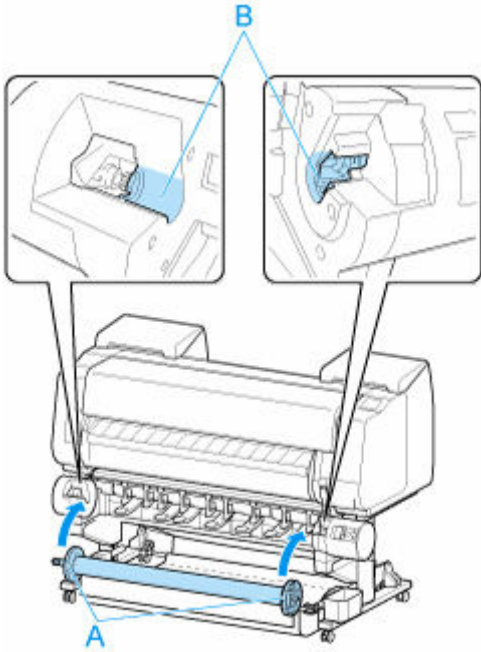




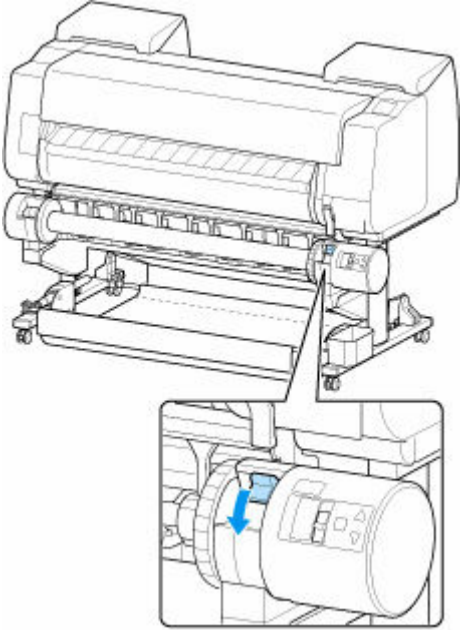
6. Change **Roll Holder Lock** switch on roll unit to release direction.



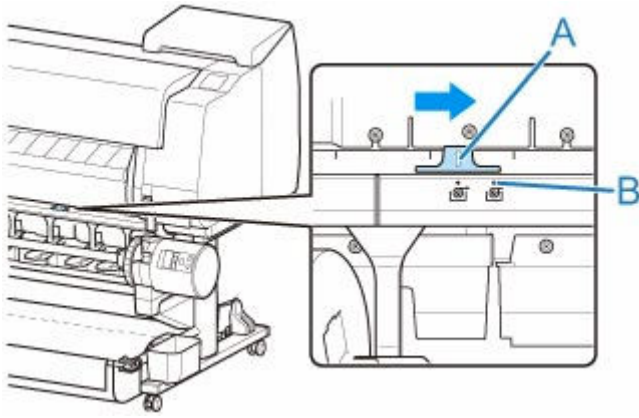
7. Hold flanges (A) so that holder stopper is on left, align roll holder shaft with roll holder slot left and right guide grooves (B), and load.



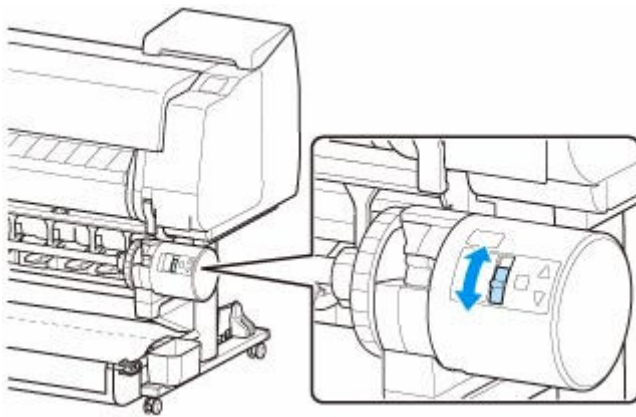
8. Change **Roll Holder Lock** switch on roll unit to lock direction.



9. Change the feed flap switch on top of the roll unit so that the switch indicator (A) is aligned with • (B) position on the take-up icon.



- 10.** Change **Inward/Outward Winding Changeover** switch on roll unit to desired winding direction.



**»» Note**

- For the winding direction of the roll paper, you can select either outward winding to make the printed surface on the outside of the roll or inward winding to make the printed surface on the inside of the roll.

- 11.** Follow these steps to secure the leading edge of the roll paper to the paper core with tape.

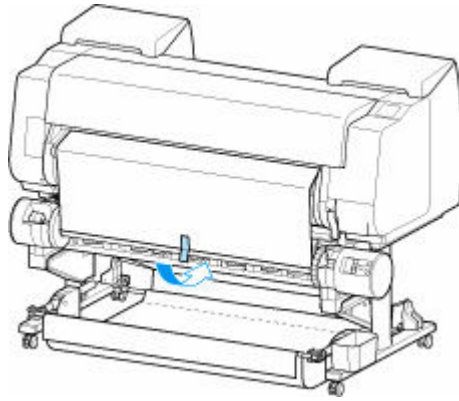
- **If message appears on touch screen to confirm whether or not to advance paper automatically so it can be secured with tape**

1. Tap **Yes**.

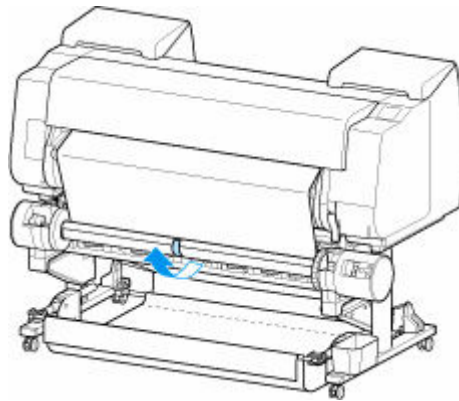
The leading edge of the roll paper advances until it is close to the roll unit.

2. Hold center of leading edge of roll paper, align right edge of take-up spool paper core's right edge and tape center to paper core while pulling on roll paper evenly.

- Outward Winding



- Inward Winding

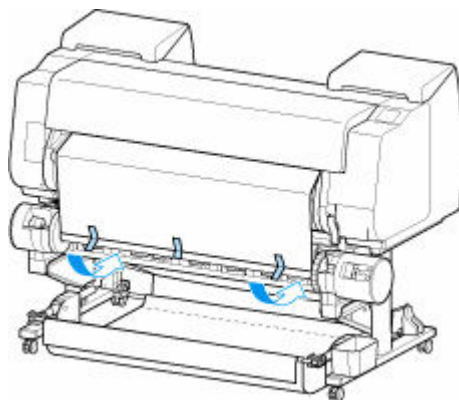


### ►► Important

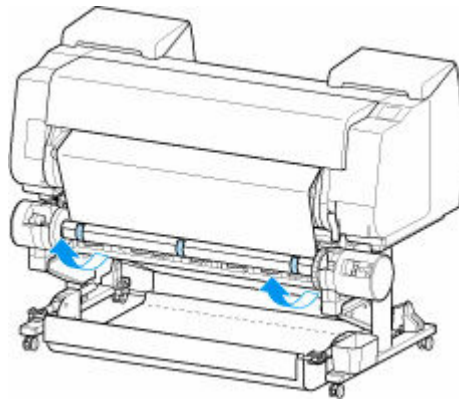
- If winding with inward winding, you must pass the leading edge of the roll paper to the back of the paper core and secure with tape. If this operation is difficult, you can also remove the roll holder, push the roll paper into the back, reinstall the roll holder, and pass the roll paper to the back of the paper core.

3. Align right edge of roll paper to right edge of paper core while pulling on roll paper evenly, and secure with tape.
4. While making sure that roll paper is flat, secure left edge of roll paper to paper core with tape.

- Outward Winding



- Inward Winding



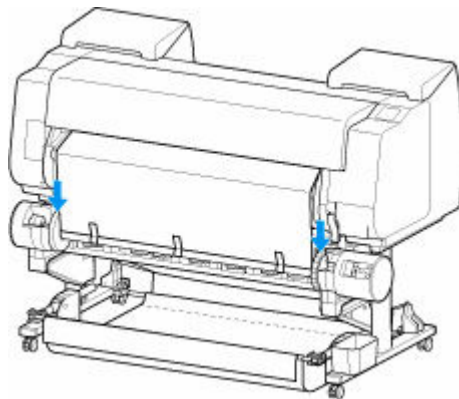
### »» Important

- Secure the left and right edges of the roll paper with tape within 1.97 inches (50 mm) of the edges so that neither end of the roll paper lift up.
- When rewinding heavyweight paper, use strong adhesive tape to fasten it. Otherwise, a rewinding problem may result.
- If you use a paper core narrower than the paper to be wound, adjust the position of the holder stopper, so that there is a gap between the holder stopper and the paper.

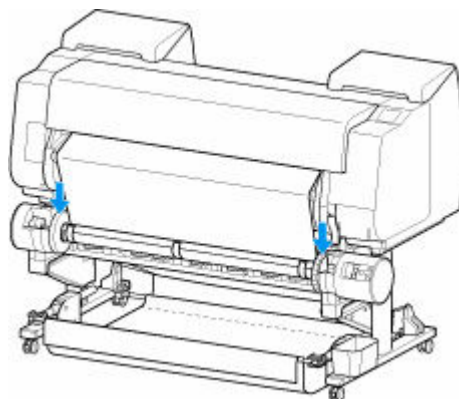
5. Make sure the leading edge of the roll paper is not lifting up from the paper core, and if there are places lifting up, tape in additional places so that the paper does not lift up.

6. Push roll holder downward, check that roll holder is not lifting up, and tap **OK**.

- Outward Winding



- Inward Winding



## »» Important

- If the roll holder lifts up, it may cause an error.

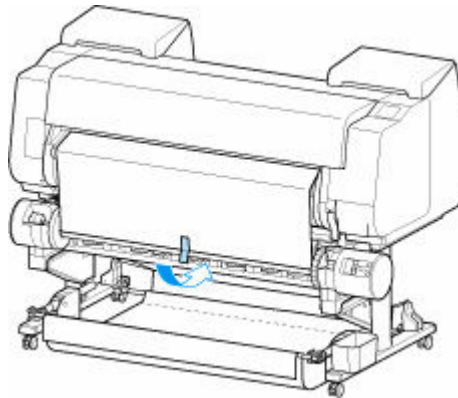
7. To stabilize operations when starting taking up, advance roll paper with operation panel and wind roll paper approximately one revolution. (See "[Feeding Roll Paper Manually.](#)")
8. Push roll holder downward again, and check that roll holder is not lifting up.

The winding preparation is complete. When printing to the roll starts, the roll paper can be automatically wound.

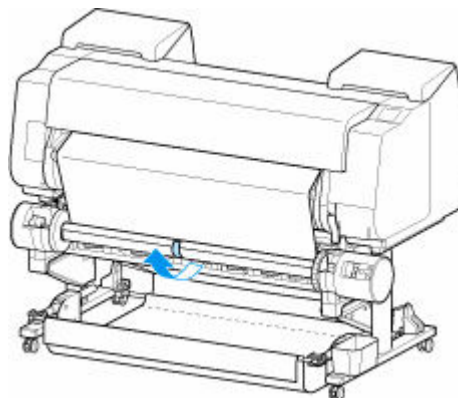
### • If Ready to print appears on touch screen

1. Manually advance roll paper (See "[Feeding Roll Paper Manually.](#)") or start printing, and wait for leading edge of roll paper to reach roll unit.
2. Hold center of leading edge of roll paper, align right edge of take-up spool paper core's right edge and tape center to paper core while pulling on roll paper evenly.

- Outward Winding



- Inward Winding



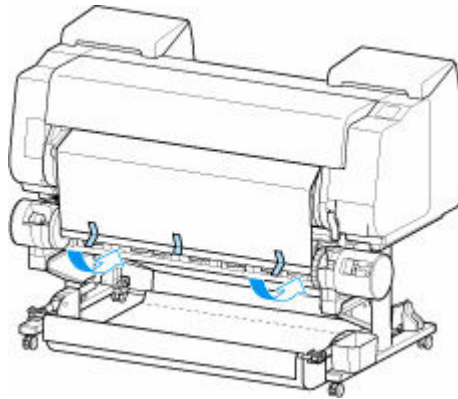
## »» Important

- If winding with inward winding, you must pass the leading edge of the roll paper to the back of the paper core and secure with tape. If this operation is difficult, you can also remove the roll holder, push the roll paper into the back, reinstall the roll holder, and pass the roll paper to the back of the paper core.

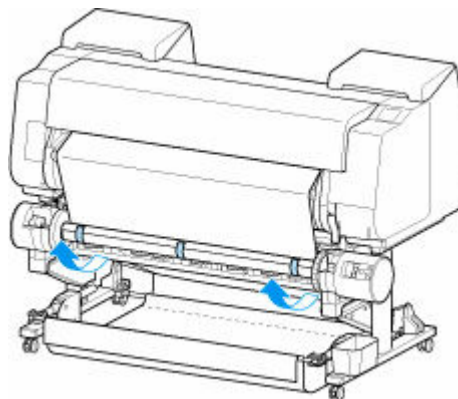
3. Align right edge of roll paper to right edge of paper core while pulling on roll paper evenly, and secure with tape.

4. While making sure that roll paper is flat, secure left edge of roll paper to paper core with tape.

- Outward Winding



- Inward Winding



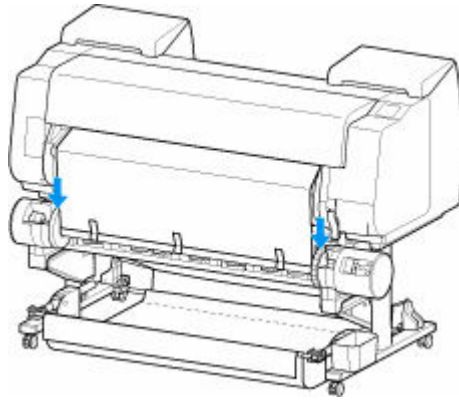
### ►► Important

- Secure the left and right edges of the roll paper with tape within 1.97 inches (50 mm) of the edges so that neither end of the roll paper lift up.
- When rewinding heavyweight paper, use strong adhesive tape to fasten it. Otherwise, a rewinding problem may result.
- If you use a paper core narrower than the paper to be wound, adjust the position of the holder stopper, so that there is a gap between the holder stopper and the paper.

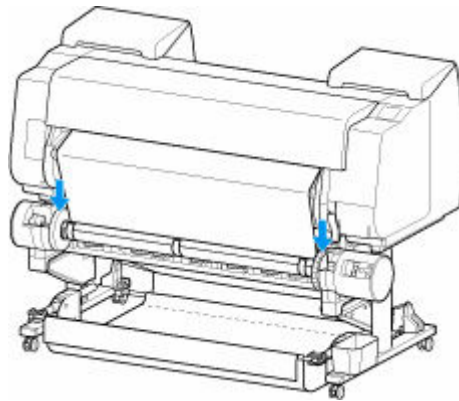
5. Make sure the leading edge of the roll paper is not lifting up from the paper core, and if there are places lifting up, tape in additional places so that the paper does not lift up.

6. Push roll holder downward and check that roll holder is not lifting up.

- Outward Winding



- Inward Winding



### ►► Important

- If the roll holder lifts up, it may cause an error.

7. Make sure **Inward/Outward Winding Changoever** switch on roll unit is in desired direction and press **Auto Take-up/Pause** button.

The **Pause** lamp, which has been lighted up to this point, turns off, and the **Auto Take-up** lamp lights up instead.

The winding preparation is complete. During printing, the winding starts. Before printing, the winding starts at the same time as the printing.


### ►► Important

- When winding inwardly, loosening of the wound paper can be prevented by pressing the roll paper with the arm. However, doing so may produce pressure traces on the paper. In this case, tap the roll unit area of the media information display area and set **Paper retention settings** to **Release**.

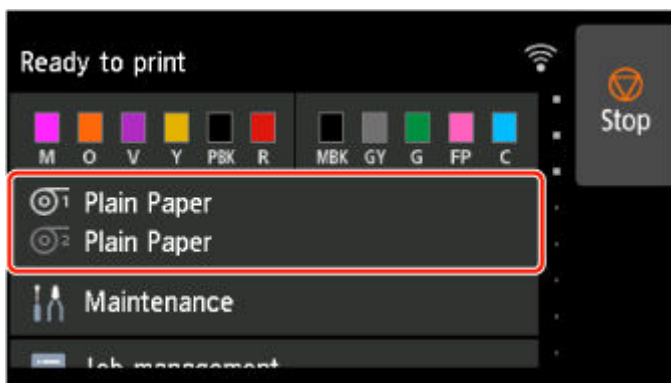


## Removing Printed Paper from the Roll Unit

### ▶▶▶ Note

- By tapping the paper settings display area and then  area when setting **Take-up mode** and setting **Wind up after cutting** to **Enable** in advance, you can omit steps 6 and 7 below, because when the paper is cut after printing, the next paper will be automatically taken up after that. However, be careful when using easily damaged roll paper because the roll paper touches the roller when paper is cut.

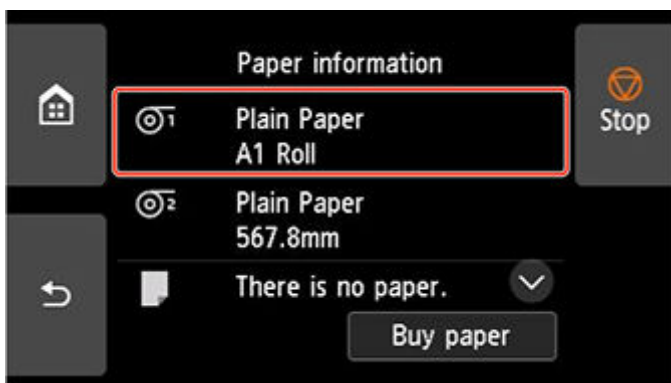
1. Tap paper settings display area on Home screen of touch screen.



### ▶▶▶ Important

- If the Home screen does not appear, tap the **HOME** button.

2. Tap  area.



3. Tap **Feed/cut**.

4. Tap **Advance** or **Rewind** to advance roll paper a little.

With the winding direction set to outward winding, advance the length of one circumference of the roll or more to protect the print side.

5. Tap **Cut paper**.

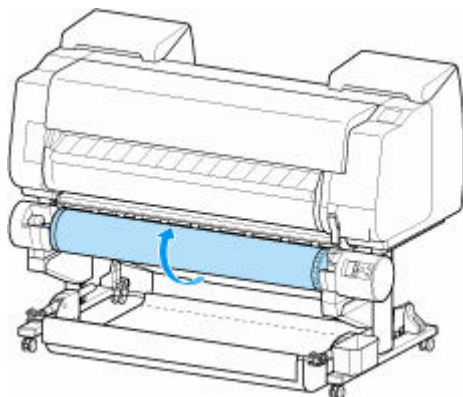
6. Hold printed paper between output guide and roll unit, then tap **Yes**.

The roll is now cut.

**Important**

- When cutting the roll paper, always hold the printed paper. If cut without holding the printed paper, the paper may fall to the floor and become soiled.

7. While holding trailing edge of printed paper, press **Take-up** or **Rewind** button to wind printed paper.

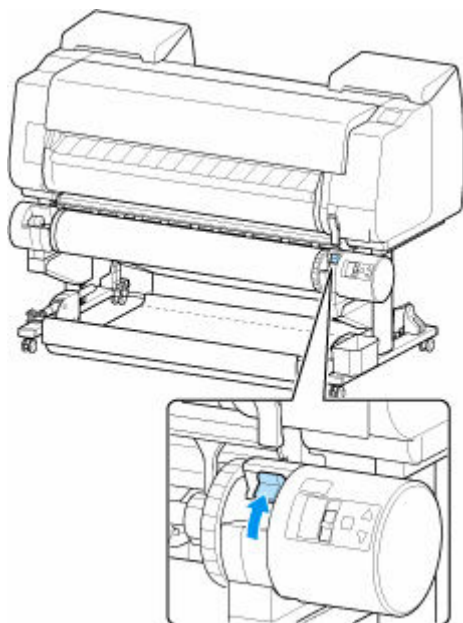


Apply adhesive tape to the rewound paper to hold it in place, if necessary.

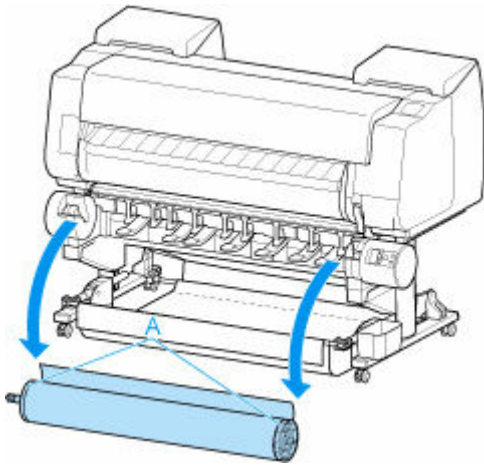
**Important**


- Be careful not to scratch the printed surface.

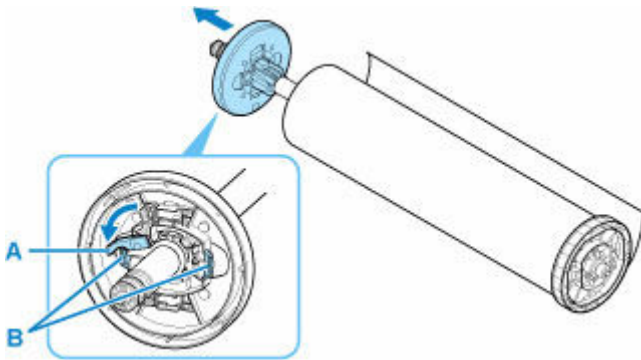
8. Change **Roll Holder Lock** switch on roll unit to release side.



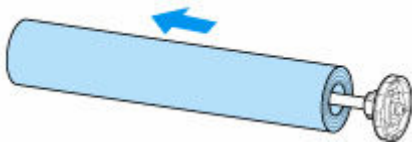
9. Hold roll holder by its flanges (A), and remove from roll unit.



- 10.** Rotate the holder stopper lever (A) towards  to release the lock, and while holding it in position (B), remove holder stopper from the roll holder.



- 11.** Remove printed material that has been taken up, from roll holder for each paper core.



## Changing Printer's Setting

---

### ▶ Changing Settings from Operation Panel

- Home Screen Menu Composition
- Menu Structure
- Setting Items on Operation Panel
- Setting Administrator Password on Operation Panel
- Erasing Data on Printer's Hard Disk
- Status Print

### ▶ Changing Printer's Setting Using Web Browser

- Start up Remote UI
- Changeable Setting Items Using Remote UI
- Setting Passwords Using Remote UI
- Registering Printer's Root Certificate to Web Browser for SSL Communication
- Registering Printer's Root Certificate to Local Computer for SSL Communication
- Generating Server Certificate
- Setting Mail Server
- Receiving Printer Status by E-mail

### ▶ Migrating Printer's Setting

### ▶ Initializing Printer's Setting

## **Changing Settings from Operation Panel**

---

- **Home Screen Menu Composition**
- **Menu Structure**
- **Setting Items on Operation Panel**
- **Setting Administrator Password on Operation Panel**
- **Erasing Data on Printer's Hard Disk**
- **Status Print**

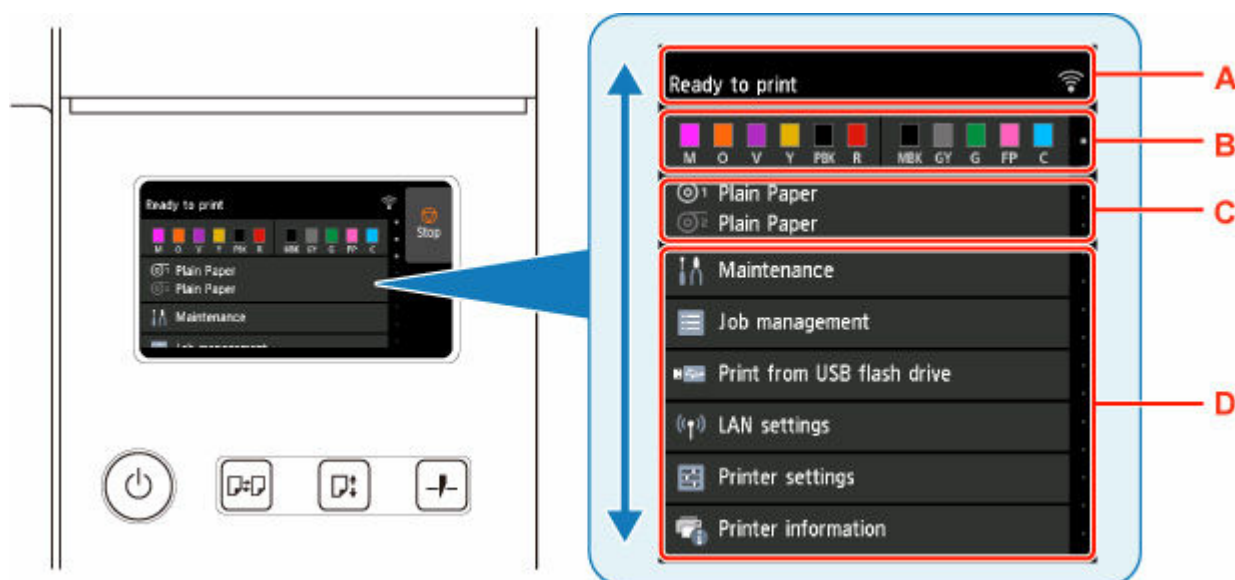
## Home Screen Menu Composition

After the printer starts up, the HOME screen appears on the touch screen.

From the HOME screen, you can check the printer status and select the maintenance, paper operations, settings, and other menus.

➔ [Basic Touch Screen Operations](#)

➔ [Icons on Touch Screen](#)



### A: Printer Information Display Area

Displays the printer status, messages, and other information. Tap this item when a message appears to view the message on the list screen and to jump to the screen with detailed information and operations.

➔ [Notification Messages](#)

### B: Ink Display Area

Displays the ink status. Tap this item to view the remaining amount of ink and how to replace the ink tanks.

### C: Paper Setting Display Area

Displays the media information for each feeding location. Tap this item to configure the size and type of the paper loaded.

### D: Other Menu Items

Displays the items used to perform maintenance and configure the various settings.

➔ [Setting Items on Operation Panel](#)

### ▶▶▶ Note

- By default, menu settings apply to all print jobs. However, for settings that are also available in the printer driver, the values specified in the printer driver take priority.

## Basic Touch Screen Operations

You can select various functions and settings by gently touching and swiping the touch screen with your fingertip.

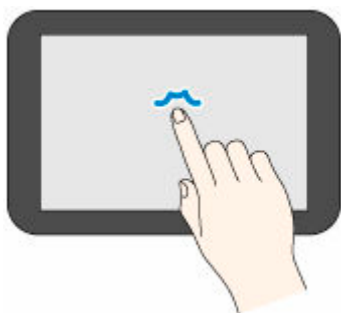
## »» Important

- Take the following precautions when operating the touch screen. Otherwise, the touch screen may malfunction or become damaged.
  - Do not forcibly press the touch screen with your finger.
  - Do not press the touch screen with an object other than your finger (such as a ballpoint pen, pencil, fingernail, or other object with a sharp tip).
  - Do not operate the touch screen with wet or dirty hands.
  - Do not place objects on top of the touch screen.
- Do not place a protective film over the touch screen. Removing it can damage the touch screen.

### Tap

Gently touch with your fingertip and then release.

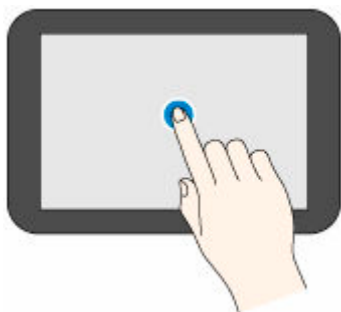
Use this when selecting an item on the screen.



### Touch

Gently touch with your fingertip.

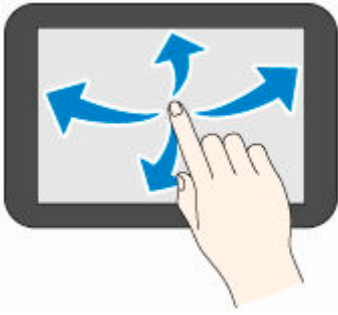
To go (or return) to a menu or list, touch the directional mark.



### Flick

Drag and release your finger up, down, left, or right.

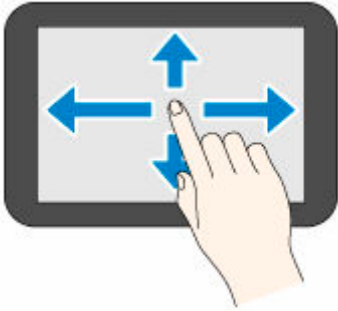
Use this to quickly scroll through a menu or list.



### Drag

Move your finger up, down, left, or right while gently keeping it in contact with the touch screen.

Use this to move a menu or list while viewing it.



## Notification Messages

When the ink is low or there is another notification, **New notice** appears in the printer information display area. Tap this to display the **Notice list** screen to view messages with the newest one appearing first. Tap a message to display the message details screen to view the details and take action.

Example: Notices on the maintenance cartridge





## Icons on Touch Screen

While operating on the touch screen, some icons are displayed on the touch screen.



**(HOME)**

The HOME screen appears.



**(Back)**

Displays the screen before the current screen.

### Stop

Cancels print jobs in progress and ends the ink drying period.

## Menu Structure

The \* on the right side of an item indicates the default value.

Values may vary depending on your model and firmware version.

- **Ink information**

This menu is displayed by tapping **Ink** icon.

<b>Current estimated ink levels</b>
<b>Replace</b>
<b>Order ink now</b>

- **Paper settings**

This menu is displayed by tapping paper information area.

<b>Roll paper 1</b>	
	<b>Replace paper</b>
	<b>Feed/cut</b>
	<b>Remove paper</b>
	<b>Paper settings</b>
	<b>Width</b>
	<b>Type</b>
	<a href="#">Advanced</a>
<b>Buy paper</b>	

<b>Roll paper 2</b>	
	<b>Replace paper</b>
	<b>Feed/cut</b>
	<b>Remove paper</b>
	<b>Roll unit use settings</b>
	<b>Paper settings</b>
	<b>Width</b>
	<b>Type</b>
<a href="#">Advanced</a>	
<b>Buy paper</b>	

<b>Take-up mode</b>	
	<b>Roll unit use settings</b>
	<b>Auto feed to take-up position</b>
	<b>Skip errors during take-up</b>

	ON / OFF
<b>Wind up after cutting</b>	
	Enable / Disable
<b>Paper retention settings</b>	
	Release / Retain
<b>Use in take-up mode</b>	
	Use / Do not use

<b>Manual</b>		
	Replace paper	
	Remove paper	
	Paper settings	
		Page size
		Type
		<a href="#">Advanced</a>
Buy paper		



• **Maintenance**

<b>Troubleshooting</b>
------------------------

<b>Nozzle Check</b>
---------------------

<b>Print Head Cleaning</b>		
	<b>Cleaning</b>	
		All colors / Pattern 1 / Pattern 2 / Pattern 3
	<b>Deep Cleaning</b>	
		All colors / Pattern 1 / Pattern 2 / Pattern 3
	<b>System Cleaning</b>	
		All colors / Pattern 1 / Pattern 2 / Pattern 3

<b>Print Head Alignment</b>	
	Auto (standard)
	Auto (advanced)
	Manual

<b>Paper feed adjustment</b>		
	<b>Set priority</b>	
		Auto / Prioritize print quality / Prioritize length accuracy
	<b>Adjust print quality</b>	

	Auto
	Manual
<b>Adjust feed length</b>	
	Print alignment pattern
	Change adjustment values
	-0.70% / -0.68% / ... / 0.68% / 0.70%

<b>Color calibration</b>	
	Auto adjust
	Enable/disable adjustment values
	Enable* / Disable
	Adjustment information
	Calibration guide settings
	Enable / Disable*
	Reset adjustment values

<b>Maintenance cartridge info</b>	
	Maintenance cartridge usage
	Replace

<b>Head Replacement</b>	
	Start head replacement.

<b>Replace cutter blade unit</b>	
----------------------------------	--

<b>Platen cleaning</b>	
------------------------	--

<b>Prepare to move</b>	
	Move indoors on the same floor
	Move indoors to a different floor
	Transport outdoors



• **Job management**

<b>Print job</b>	
	List of print jobs

<b>Saved job</b>	
	Job box list
	Job list
	Print the job list

<b>Job history</b>	
	Display job history
	Print job history
<b>Pause printing</b>	
	Enable / Disable*
<b>Delete all print jobs</b>	



- Print from USB flash drive**

Folder/file list	
	Number of copies
	<b>Preview</b>
	<b>Print settings</b> The lower items of this menu are the same as the lower items of <a href="#">Print from USB flash settings</a> .



- LAN settings**

<b>Wi-Fi</b>	
	<b>Connection</b>
	<b>Network name (SSID)</b>
	<b>Communication mode</b>
	<b>Channel</b>
	<b>Wi-Fi security</b>
	<b>IPv4 address</b>
	<b>IPv4 subnet mask</b>
	<b>IPv4 default gateway</b>
	<b>IPv4 DNS dynamic settings</b>
	<b>IPv4 DNS host name</b>
	<b>IPv4 DNS domain name</b>
	<b>IPv6 link-local address</b>
	<b>IPv6 link-local prefix length</b>
	<b>IPv6 manual address</b>
	<b>IPv6 manual prefix length</b>
	<b>IPv6 stateless address 1</b>
	<b>IPv6 stateless prefix length 1</b>
	<b>IPv6 stateless address 2</b>

IPv6 stateless prefix length 2	
IPv6 stateless address 3	
IPv6 stateless prefix length 3	
IPv6 stateless address 4	
IPv6 stateless prefix length 4	
DHCPv6	
DHCPv6 stateful address	
DHCPv6 stateful prefix length	
IPv6 default gateway 1	
IPv6 default gateway 2	
IPv6 default gateway 3	
IPv6 default gateway 4	
IPv6 primary DNS server address	
IPv6 secondary DNS server add.	
IPv6 DNS dyn. update: manual	
IPv6 DNS dyn. update: stateless	
IPv6 DNS dyn. update: stateful	
IPv6 Use IPv4 host/domain name	
IPv6 DNS host name	
IPv6 DNS domain name	
MAC address	
IPsec settings	
Printer name	
Bonjour service name	
Settings	
	Enable/disable Wi-Fi
	Enable / Disable
	Wi-Fi setup
	Easy wireless connect
	Manual connect
	WPS (Push button method)
	Other connection types
	Manual connect (adv.)
	WPS (PIN code method)
	<a href="#">Advanced</a>

Wireless Direct

<b>Connection</b>	
Network name (SSID)	
Password	
Communication mode	
Channel	
Wi-Fi security	
IPv4 address	
IPv4 subnet mask	
IPv4 default gateway	
IPv4 DNS dynamic settings	
IPv4 DNS host name	
IPv4 DNS domain name	
IPv6 link-local address	
IPv6 link-local prefix length	
MAC address	
IPsec settings	
Printer name	
Bonjour service name	
<b>Settings</b>	
	<b>Enable/disable Wireless Direct</b>
	<input type="checkbox"/> Yes / <input type="checkbox"/> No
	<b>Update SSID/password</b>
	<input type="checkbox"/> Yes / <input type="checkbox"/> No
	<b>Wireless Direct network (SSID)</b>
	<b>Connection request confirmation</b>
	<input type="checkbox"/> ON* / <input type="checkbox"/> OFF
<a href="#">Advanced</a>	
<b>Wired LAN</b>	
	<b>Connection</b>
	IPv4 address
	IPv4 subnet mask
	IPv4 default gateway
	IPv4 DNS dynamic settings
	IPv4 DNS host name
	IPv4 DNS domain name
	IPv6 link-local address

IPv6 link-local prefix length	
IPv6 manual address	
IPv6 manual prefix length	
IPv6 stateless address 1	
IPv6 stateless prefix length 1	
IPv6 stateless address 2	
IPv6 stateless prefix length 2	
IPv6 stateless address 3	
IPv6 stateless prefix length 3	
IPv6 stateless address 4	
IPv6 stateless prefix length 4	
DHCPv6	
DHCPv6 stateful address	
DHCPv6 stateful prefix length	
IPv6 default gateway 1	
IPv6 default gateway 2	
IPv6 default gateway 3	
IPv6 default gateway 4	
IPv6 primary DNS server address	
IPv6 secondary DNS server add.	
IPv6 DNS dyn. update: manual	
IPv6 DNS dyn. update: stateless	
IPv6 DNS dyn. update: stateful	
IPv6 Use IPv4 host/domain name	
IPv6 DNS host name	
IPv6 DNS domain name	
MAC address	
IPsec settings	
Printer name	
Bonjour service name	
Settings	
	Enable/disable Wired LAN
	Enable / Disable
	<a href="#">Advanced</a>

Print details





• **Printer settings**

<b>Test print</b>	
	Nozzle Check
	Status print
	Status print (administrator)
	Print LAN details
	Print the print settings
	Print advanced paper settings
	Print job history
	Print menu map
	Print the color chart

<b>Print settings</b>	
<b>Print head movable width setting</b>	
	Data width* / Maximum movable width / Paper width
<b>Prioritize paper size</b>	
	Enable / Disable*
<b>Magnification level for borderless</b>	
	Large / Medium* / Small / Minimum
<b>PDF print settings</b>	
<b>Print quality settings</b>	
	<b>Color mode</b>
	Color (perceptual) / Color (saturation)* / Color (correct off) / Monochrome / FL spot color
<b>Print quality</b>	
	5 (Standard) / 4 / 3* / 2 / 1 (Highest)
<b>Input resolution</b>	
	600 dpi / 300 dpi*
<b>Print target</b>	
	Photo / Poster (fluorescent)*
<b>Paper settings</b>	
<b>Paper src</b>	
	Auto select* / Roll paper (auto) / Roll paper 1 / Roll paper 2 / Manual
<b>Margin</b>	
	3mm* / 5mm
<b>Border</b>	

	<b>Borderless / Bordered*</b>
<b>Oversize</b>	
	<b>Enable / Disable*</b>
<b>Save paper</b>	
	<b>ON / OFF*</b>
<b>Rotate</b>	
	<b>0 degrees* / 90 degrees</b>
<b>Auto rotation</b>	
	<b>ON / OFF*</b>
<b>Enlarge/Reduce</b>	
	<b>Fit paper size* / Same size / Scaling</b>
<b>Print centered</b>	
	<b>ON / OFF*</b>
<b>Cut to standard size</b>	
	<b>ON / OFF*</b>
<b>Line &amp; pen manager</b>	
<b>Width correction</b>	
	<b>Black/gray</b>
	<b>Color</b>
<b>Processing options</b>	
<b>Warning display</b>	
	<b>Enable / Disable*</b>
<b>JPEG print settings</b>	
<b>Print quality settings</b>	
<b>Color mode</b>	
	<b>Color (perceptual) / Color (saturation)* / Color (correct off) / Mono-chrome / FL spot color</b>
<b>Print quality</b>	
	<b>5 (Standard) / 4 / 3* / 2 / 1 (Highest)</b>
<b>Input resolution</b>	
	<b>600 dpi / 300 dpi* / Specify print job</b>
<b>Print target</b>	
	<b>Photo / Poster (fluorescent)*</b>
<b>Paper settings</b>	
<b>Paper src</b>	
	<b>Auto select* / Roll paper (auto) / Roll paper 1 / Roll paper 2 / Manual</b>

<b>Margin</b>	
	3mm* / 5mm
<b>Border</b>	
	Borderless / Bordered*
<b>Rotate</b>	
	0 degrees* / 90 degrees
<b>Auto rotation</b>	
	ON / OFF*
<b>Enlarge/Reduce</b>	
	Fit paper size* / Same size / Scaling
<b>Print centered</b>	
	ON / OFF*
<b>Cut to standard size</b>	
	ON / OFF*

**Print from USB flash settings**

**Print quality settings**

<b>Color mode</b>	
	Color (perceptual) / Color (saturation)* / Color (correct off) / Monochrome / FL spot color
<b>Print quality</b>	
	5 (Standard) / 4 / 3* / 2 / 1 (Highest)
<b>Print target</b>	
	Photo / Poster (fluorescent)*

**Paper settings**

<b>Paper src</b>	
	Auto select* / Roll paper (auto) / Roll paper 1 / Roll paper 2 / Manual
<b>Margin</b>	
	3mm* / 5mm
<b>Border</b>	
	Borderless / Bordered*
<b>Rotate</b>	
	0 degrees* / 90 degrees
<b>Auto rotation</b>	
	ON / OFF*
<b>Enlarge/Reduce</b>	
	Fit paper size* / Same size / Scaling

	<b>Print centered</b>
	ON / OFF*
	<b>Cut to standard size</b>
	ON / OFF*
<b>AirPrint print settings</b>	
<b>Print quality settings</b>	
	<b>Color mode</b>
	Color (perceptual) / Color (saturation)* / Color (correct off) / ICC profile (perceptual) / ICC profile (saturation) / ICC profile (relative) / ICC profile (absolute) / Monochrome / FL spot color
	<b>Print resolution</b>
	Standard* / Speed priority / Print priority
	<b>Print target</b>
	Photo / Poster (fluorescent)*
<b>Paper settings</b>	
	<b>No Top/Btm Space (Save Paper)</b>
	ON / OFF*
	<b>Unidirectional printing</b>
	Enable / Disable*
<b>Direct print settings from FTP</b>	
<b>Print settings 1</b>	
<b>Print quality settings</b>	
	<b>Color mode</b>
	Color (perceptual) / Color (saturation)* / Color (correct off) / Monochrome / FL spot color
	<b>Print quality</b>
	5 (Standard) / 4 / 3* / 2 / 1 (Highest)
	<b>Input resolution</b>
	600 dpi / 300 dpi* / Specify print job
	<b>Print target</b>
	Photo / Poster (fluorescent)*
<b>Paper settings</b>	
	<b>Paper src</b>
	Auto select* / Roll paper (auto) / Roll paper 1 / Roll paper 2 / Manual
	<b>Margin</b>
	3mm* / 5mm

<b>Border</b>	
	Borderless / Bordered*
<b>Oversize</b>	
	Enable* / Disable
<b>Save paper</b>	
	ON / OFF*
<b>Rotate</b>	
	0 degrees* / 90 degrees
<b>Auto rotation</b>	
	ON / OFF*
<b>Enlarge/Reduce</b>	
	Fit paper size* / Same size / Scaling
<b>Print centered</b>	
	ON / OFF*
<b>Cut to standard size</b>	
	ON / OFF*
<b>Line &amp; pen manager</b>	
	<b>Width correction</b>
	Black/gray
	Color
<b>Processing options</b>	
	<b>Warning display</b>
	Enable / Disable*
<b>Print settings 2</b>	
<b>Print quality settings</b>	
	<b>Color mode</b>
	Color (perceptual) / Color (saturation)* / Color (correct off) / Monochrome / FL spot color
	<b>Print quality</b>
	5 (Standard) / 4 / 3* / 2 / 1 (Highest)
	<b>Input resolution</b>
	600 dpi / 300 dpi* / Specify print job
	<b>Print target</b>
	Photo / Poster (fluorescent)*
<b>Paper settings</b>	
	Paper src

	Auto select* / Roll paper (auto) / Roll paper 1 / Roll paper 2 / Manual
<b>Margin</b>	
	3mm* / 5mm
<b>Border</b>	
	Borderless / Bordered*
<b>Oversize</b>	
	Enable* / Disable
<b>Save paper</b>	
	ON / OFF*
<b>Rotate</b>	
	0 degrees* / 90 degrees
<b>Auto rotation</b>	
	ON / OFF*
<b>Enlarge/Reduce</b>	
	Fit paper size* / Same size / Scaling
<b>Print centered</b>	
	ON / OFF*
<b>Cut to standard size</b>	
	ON / OFF*
<b>Line &amp; pen manager</b>	
	<b>Width correction</b>
	Black/gray
	Color
<b>Processing options</b>	
	<b>Warning display</b>
	Enable / Disable*
<b>Print settings 3</b>	
<b>Print quality settings</b>	
	<b>Color mode</b>
	Color (perceptual) / Color (saturation)* / Color (correct off) / Monochrome / FL spot color
	<b>Print quality</b>
	5 (Standard) / 4 / 3* / 2 / 1 (Highest)
	<b>Input resolution</b>
	600 dpi / 300 dpi* / Specify print job

	<b>Print target</b>
	Photo / Poster (fluorescent)*
<b>Paper settings</b>	
	<b>Paper src</b>
	Auto select* / Roll paper (auto) / Roll paper 1 / Roll paper 2 / Manual
	<b>Margin</b>
	3mm* / 5mm
	<b>Border</b>
	Borderless / Bordered*
	<b>Oversize</b>
	Enable* / Disable
	<b>Save paper</b>
	ON / OFF*
	<b>Rotate</b>
	0 degrees* / 90 degrees
	<b>Auto rotation</b>
	ON / OFF*
	<b>Enlarge/Reduce</b>
	Fit paper size* / Same size / Scaling
	<b>Print centered</b>
	ON / OFF*
	<b>Cut to standard size</b>
	ON / OFF*
<b>Line &amp; pen manager</b>	
	<b>Width correction</b>
	Black/gray
	Color
<b>Processing options</b>	
	<b>Warning display</b>
	Enable / Disable*
<b>Print settings 4</b>	
	<b>Print quality settings</b>
	<b>Color mode</b>
	Color (perceptual) / Color (saturation)* / Color (correct off) / Monochrome / FL spot color

<b>Print quality</b>	
	5 (Standard) / 4 / 3* / 2 / 1 (Highest)
<b>Input resolution</b>	
	600 dpi / 300 dpi / Specify print job*
<b>Print target</b>	
	Photo / Poster (fluorescent)*
<b>Paper settings</b>	
<b>Paper src</b>	
	Auto select* / Roll paper (auto) / Roll paper 1 / Roll paper 2 / Manual
<b>Margin</b>	
	3mm* / 5mm
<b>Border</b>	
	Borderless / Bordered*
<b>Oversize</b>	
	Enable* / Disable
<b>Save paper</b>	
	ON / OFF*
<b>Rotate</b>	
	0 degrees* / 90 degrees
<b>Auto rotation</b>	
	ON / OFF*
<b>Enlarge/Reduce</b>	
	Fit paper size* / Same size / Scaling
<b>Print centered</b>	
	ON / OFF*
<b>Cut to standard size</b>	
	ON / OFF*
<b>Line &amp; pen manager</b>	
<b>Width correction</b>	
	Black/gray
	Color
<b>Processing options</b>	
<b>Warning display</b>	
	Enable / Disable*
<b>Default print settings</b>	



<b>Print quality settings</b>	
	<b>Color mode</b>
	Color (perceptual) / Color (saturation)* / Color (correct off) / Monochrome / FL spot color
	<b>Print quality</b>
	5 (Standard) / 4 / 3* / 2 / 1 (Highest)
	<b>Print target</b>
	Photo / Poster (fluorescent)*
<b>Print the print settings</b>	

**LAN settings**  
The lower items of this menu are the same as the lower items of [LAN settings](#).

<b>Web service setup</b>	
	<b>Web service usage registration / Web service usage cancellation</b>
	<b>Issue registration code</b>
	<b>DNS server setup</b>
	Auto setup* / Manual setup
	<b>Proxy server setup</b>
	Use / Do not use*

<b>Web service inquiry</b>	
	Print from Canon server

<b>Paper-related settings</b>	
	<b>Roll paper auto feed</b>
	Enable* / Disable
	<b>Media type selection method</b>
	Manual / Auto detect / Auto with confirmation* / Use current media type
	<b>Manage remaining roll amount</b>
	Barcodes / Auto estimate* / Disable
	<b>Roll amount warning settings</b>
	11m/36ft. / 9m/30ft. / 7m/23ft. / 5m/16ft.* / 3m/10ft. / 1m/3ft.
	<b>Switch roll paper when low</b>
	Enable / Disable*
	<b>Roll paper auto switching</b>
	Identify size* / Do not identify size
	<b>Detect paper setting mismatch</b>
	Pause / Display warning* / Do not detect / Hold job

<b>Paper retention settings</b>	
	<b>Release / While feeding*</b>
<b>Paper size recognition settings</b>	
	<b>Cut sheet setting 1</b>
	<b>A3+* / 13"x19" (Super B)</b>
	<b>Cut sheet setting 2</b>
	<b>ISO B1* / 28"x40" (ANSI F)</b>
	<b>Roll paper setting 1</b>
	<b>10 in Roll* / B4 Roll</b>
	<b>Roll paper setting 2</b>
	<b>A3 Roll* / 300mm Roll</b>
	<b>Roll paper setting 3</b>
	<b>300mm Roll / 12 in Roll*</b>
	<b>Roll paper setting 4</b>
	<b>500mm Roll* / 20 in Roll</b>
	<b>Roll paper setting 5</b>
	<b>20 in Roll / B2 Roll*</b>
	<b>Roll paper setting 6</b>
	<b>A1 Roll* / 600mm Roll</b>
	<b>Roll paper setting 7</b>
	<b>600mm Roll / 24 in Roll*</b>
<b>Adjust roll unit</b>	
<b>Keep margin at cut sheet end</b>	
	<b>Enable / Disable*</b>
<b>Advanced paper settings</b>	
<b>Print advanced paper settings</b>	
<b>Add priority roll paper width</b>	
	<b>Setting 1</b>
	<b>Setting 2</b>
	<b>Setting 3</b>
<b>Reset all detection priority data</b>	
<b>Reset paper settings for all paper</b>	
<b>Auto maintenance settings</b>	
	<b>Auto nozzle check</b>
	<b>Standard* / 1 page / 10 pages / Disable</b>
<b>Nozzle check error display</b>	

	Enable / Disable*
<b>System Cleaning frequency</b>	
	Standard* / Short
<b>Print pattern after new head</b>	
	ON* / OFF

<b>Hard disk settings</b>	
	<b>Output method</b>
	Print* / Print (auto delete) / Save to job box
	<b>Save first and print</b>
	ON / OFF*
	<b>Common job box settings</b>
	Print* / Print (auto delete)
	<b>File deletion settings</b>
	Fast* / Fast secure / Secure / Secure (VSITR)
	<b>Data deletion</b>
	Fast
	Fast secure
	Secure
Secure (VSITR)	

<b>Monitoring service settings</b>	
	<b>Enable/disable monitoring service</b>
	Enable / Disable*
	<b>Communication test</b>
	<b>Communication log</b>
	<b>Warning notification settings</b>
	Enable* / Disable

<b>Other printer settings</b>	
	<b>Energy saving settings</b>
	<b>Auto power off</b>
	5 minutes / 10 min. / 30 min. / 1 hour / 4 hours / 8 hours / 12 hours / OFF
	<b>Sleep timer</b>
	5 minutes* / 10 min. / 15 min. / 20 min. / 30 min. / 40 min. / 50 min. / 60 min.
	<b>Use USB connection</b>
	Use* / Do not use
	<b>Date/time settings</b>

<b>Date display format</b>	
	YYYY/MM/DD / MM/DD/YYYY / DD/MM/YYYY
<b>Time zone (GMT)</b>	
	0 / +1 / ... / +12 / -12 / ... / -1
<b>Length unit settings</b>	
	Meters* / Feet/inches
<b>Buzzer settings</b>	
	Enable* / Disable
<b>EOP timer settings</b>	
	1 minute / 2 minutes / 5 minutes / 10 minutes* / 30 minutes / 60 minutes
<b>Job history sending settings</b>	
	Send / Do not send*
<b>Menu row height</b>	
	Wide* / Standard

<b>Language selection</b>
---------------------------

<b>Firmware update</b>	
	Install update
	Check current version
	Update notification settings
	Yes* / No
	DNS server setup
	Auto setup* / Manual setup
	Proxy server setup
	Use / Do not use*

<b>Security settings</b>	
	Administrator password settings
	Remote UI and other tools / LCD, Remote UI, and other tools
	Operation restrictions
	Job history
	Restrict / Do not restrict*
	Remote UI
	Restrict / Do not restrict*
	Print from USB flash drive
	Restrict / Do not restrict*
	IEEE802.1X settings

<b>Authentication</b>		
	Do not use* / TLS / TTLS / PEAP	
<b>EAP-TTLS internal auth. method</b>		
	MSCHAPv2* / PAP	
<b>Weak encryption restriction</b>		
	Restrict* / Do not restrict	
<b>Weak certificate restriction</b>		
	Restrict* / Do not restrict	
<b>Advanced setup</b>		
	<b>User-ID</b>	
	<b>Username</b>	
	<b>Password</b>	
	<b>Authentication server name</b>	
	<b>Verify auth. server name</b>	
		Enable* / Disable
	<b>Verify auth. server certificates</b>	
		Enable* / Disable
<b>Last authentication result</b>		

<b>Import/export settings</b>	
	Import
	Export

<b>Initialize printer settings</b>
------------------------------------



• **Printer information**

<b>System information</b>
---------------------------

<b>Hard disk information</b>
------------------------------

<b>Error history</b>
----------------------

	<b>Hardware error</b>
	<b>Recoverable error</b>
	<b>Paper feed/transfer error</b>

<b>Usage</b>
--------------

	<b>Total print area</b>
	<b>Ink consumed</b>
	<b>Duty counter</b>

<b>Head information</b>	
<b>Head alignment performance log</b>	
<b>Values applied with auto settings</b>	
	<b>Paper thickness (head height)</b>
	<b>Transport unit vacuum strength</b>

## Advanced (Paper settings)

Tap the paper information area and tap **Paper settings** to display this menu.

Advanced	
	Roll length (change default)
	Head height
	Auto / High / Medium-high / Standard / Medium-low / Low / Super low
	Skew detection accuracy
	Standard / Loose / OFF
	Cutting mode
	Automatic cut / Eject cut / User cut
	Cut speed
	Fast / Standard / Slow
	Trim edge first
	Auto / Off / On(Preset Length) / On(Input Length) / Manual
	Cut-dust reduction
	ON / OFF
	Transport unit vacuum strength
	Auto / Strong / Medium-strong / Standard / Medium-weak / Weak
	Guide arm retention pressure
	High / Low
	Roll paper tension (printing)
	High / Standard / Low
	Roll paper tension (feeding)
	High / Standard / Low
	Roll paper tension (winding up)
	High / Standard / Low
	Pause between scans
	Ink drying wait time
	OFF / 0.5 seconds / 1 second / 3 seconds / 5 seconds / 7 seconds / 9 seconds
	Ink drying target area
	Overall / Leading edge
	Pause between pages
	OFF / 30 seconds / 1 minute / 3 minutes / 5 minutes / 10 minutes / 30 minutes / 60 minutes
	Pause on last page take-up

	<b>OFF / 5 minutes / 10 minutes / 30 minutes / 60 minutes / 120 minutes / 240 minutes / 480 minutes / 960 minutes</b>	
<b>Pause timing priority</b>		
	<b>Between pages / On last page</b>	
<b>Leading edge margin (roll)</b>		
	<b>3mm / 20mm</b>	
<b>Leading edge margin (sheet)</b>		
	<b>3mm / 20mm</b>	
<b>Extension for borderless printing</b>		
	<b>Paper with recommended width</b>	
		<b>Large / Standard / Small</b>
	<b>Paper of sufficient width</b>	
		<b>Select extension amount</b>
		<b>1 (min) / 2 / 3 / 4 / 5 / 6 / 7 / 8 (max)</b>
	<b>Sample of extension amounts</b>	
<b>Detect paper width</b>		
	<b>Enable / Disable</b>	
<b>Paper core outer diameter</b>		
<b>Paper thickness</b>		
<b>Auto-rewind roll paper at sleep</b>		
	<b>Enable / Disable</b>	
<b>Reset detection priority data</b>		
<b>Reset paper settings by paper</b>		



## Advanced (LAN settings)



Flick HOME screen and tap **LAN settings, Wi-Fi / Wireless Direct / Wired LAN > Settings > Advanced.**

The \* on the right side of an item indicates the default value.

Advanced	
Set printer name	
TCP/IP settings	
IPv4	
	IP address
	Auto setup* / Manual setup
DNS server	
	DNS server setup
	Auto setup* / Manual setup
	Dynamic update settings
	Enable / Disable*
	Host name
	Domain name
Proxy server	
	Use / Do not use*
DHCP option settings	
	Acquire host name
	Enable / Disable*
	DNS dynamic update
	Enable / Disable*
	Acquire domain name
	Enable / Disable*
IPv6	
	Enable/disable IPv6
	Enable* / Disable
IPsec settings	
	Enable / Disable*
Use DHCPv6	
	Use* / Do not use
Manual address	

	<b>Use / Do not use*</b>
<b>DNS server</b>	
	<b>DNS server setup</b>
	<b>Auto setup* / Manual setup</b>
<b>Dynamic update settings</b>	
	<b>IPv6 DNS dyn. update: manual</b>
	<b>Enable / Disable*</b>
	<b>IPv6 DNS dyn. update: stateless</b>
	<b>Enable / Disable*</b>
	<b>IPv6 DNS dyn. update: stateful</b>
	<b>Enable / Disable*</b>
<b>IPv6 Use IPv4 host/domain name</b>	
	<b>Enable / Disable*</b>
<b>IPv6 DNS host name</b>	
<b>IPv6 DNS domain name</b>	
<b>DHCP option settings</b>	
	<b>Acquire host name</b>
	<b>Enable / Disable*</b>
<b>DNS dynamic update</b>	
	<b>Enable / Disable*</b>
<b>Acquire domain name</b>	
	<b>Enable / Disable*</b>
<b>WSD settings</b>	
	<b>Enable/disable WSD</b>
	<b>Enable / Disable*</b>
<b>Optimize inbound WSD</b>	
	<b>Enable* / Disable</b>
<b>Timeout settings</b>	
	<b>20 minutes / 15 minutes* / 10 minutes / 5 minutes / 1 minute</b>
<b>Bonjour settings</b>	
	<b>Enable/disable Bonjour</b>
	<b>Enable* / Disable</b>
<b>Service name</b>	
<b>SNTP settings</b>	
	<b>Client operation status</b>
	<b>Enable / Disable*</b>

	<b>NTP server address</b>
	<b>Polling interval</b>
<b>Spanning tree settings</b>	
	<b>Enable / Disable*</b>
<b>LPR protocol settings</b>	
	<b>Enable* / Disable</b>
<b>RAW protocol</b>	
	<b>ON* / OFF</b>
<b>LLMNR</b>	
	<b>ON* / OFF</b>
<b>Gigabit Ethernet settings</b>	
	<b>Autonegotiation* / 10 Mbps half duplex / 10 Mbps full duplex / 100 Mbps half duplex / 100 Mbps full duplex / 1 Gbps full duplex</b>
<b>Use Dedicated Port</b>	
	<b>ON* / OFF</b>
<b>IPP settings</b>	
	<b>Enable/disable IPP</b>
	<b>Enable* / Disable</b>
	<b>Security Print</b>
	<b>Enable* / Disable</b>
<b>Wi-Fi DRX settings</b>	
	<b>Enable* / Disable</b>
<b>Wired LAN DRX settings</b>	
	<b>Enable* / Disable</b>
<b>Reset SSL certificates</b>	
<b>Reset LAN settings</b>	

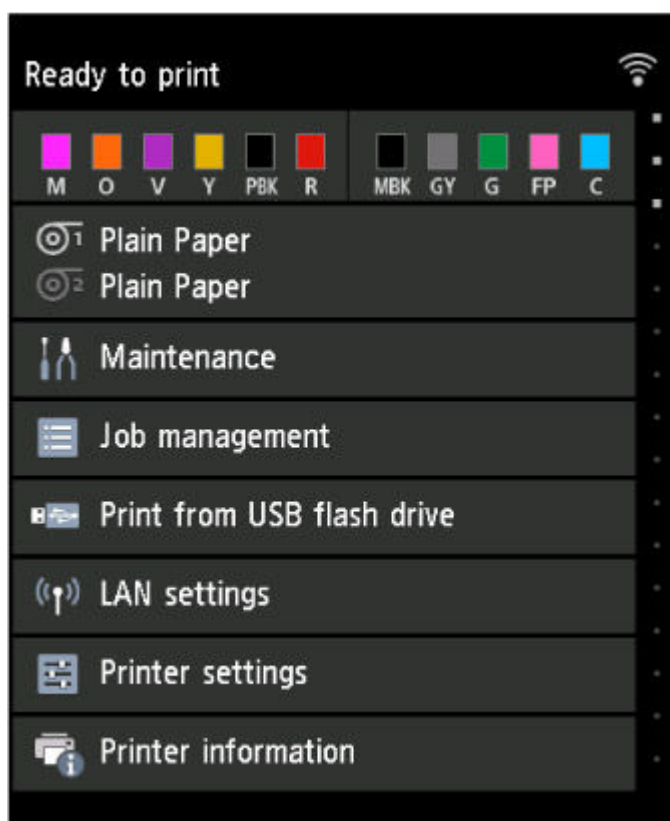
## Setting Items on Operation Panel

### ▶▶▶ Note

- The administrator password is required to change some setting items if it is enabled for changing settings using the operation panel.

For more on setting items which the administrator password is required:

➔ [Setting Administrator Password on Operation Panel](#)



[Maintenance](#)



[Job management](#)



**Print from USB flash drive**

➔ [Printing Data Saved on USB Flash Drive](#)



## LAN settings



## Printer settings

- [Test print](#)
- [Print settings](#)
- [LAN settings](#)
- [Web service setup](#)
- [Paper-related settings](#)
- [Auto maintenance settings](#)
- [Hard disk settings](#)
- [Monitoring service settings](#)
- [Other printer settings](#)
- [Language selection](#)
- [Firmware update](#)
- [Security settings](#)
- **Import/export settings**
  - ➔ [Migrating Printer's Setting](#)
- **Initialize printer settings**
  - ➔ [Initializing Printer's Setting](#)



## Printer information

# Maintenance

---

Select this setting item from Home screen.

- **Nozzle Check**

Prints out the nozzle check pattern.

➡ [Checking for Nozzle Clogging](#)

- **Print Head Cleaning**

Select this to clean the print head.

➡ [Cleaning the Print Head](#)

- **Print Head Alignment**

Adjusts the alignment of print head.

➡ [Automatic Adjustment to Straighten Lines and Colors](#)

➡ [Manual Adjustment to Straighten Lines and Colors](#)

- **Paper feed adjustment**

Adjusts the paper feed amount.

➡ [Adjusting Feed Amount](#)

- **Color calibration**

Select this to perform the color calibration or check the adjustment information.

➡ [Performing Color Calibration](#)

- **Maintenance cartridge info**

Displays the estimated usage of maintenance cartridge. Select **Replace** to replace the maintenance cartridge.

➡ [Replacing the Maintenance Cartridge](#)

- **Head Replacement**

Select this to replace the print head.

➡ [Replacing the Print Head](#)

- **Replace cutter blade unit**

Select this to replace the cutter blade.

➡ [Replacing the Cutter Blade](#)

- **Platen cleaning**

Select this to clean inside the top cover.

➡ [Cleaning Inside the Top Cover](#)

- **Prepare to move**

Select this to prepare for transporting the printer.

➡ [Preparing to Transfer the Printer](#)

## Job management

---

Select this setting item from HOME screen.

- **Print job**

Displays the print job list. Tapping a job displays the details. You can also delete or preempt jobs on this menu.

- **Saved job**

Displays the saved print job list. You can print / delete saved jobs and print job list on each job box.

### ▶▶▶ Note

- Enter the password if it is enabled for a personal job box using Remote UI.

- **Job history**

### ▶▶▶ Important

- The administrator password is required to display the job history if it is enabled for changing settings using the operation panel.

- **Display job history**

Displays the print job history. Tapping a print job displays the details.

- **Print job history**

Prints out the print job history.

- **Pause printing**

Selecting **Enable** while a print job is in progress pauses the print job after the current job is completed.

- **Delete all print jobs**

Deletes all jobs in the job queue.



## LAN settings

Select this setting item from HOME screen.

### ▶▶▶ Important

- The administrator password is required to change settings if it is enabled for changing settings using the operation panel.

#### • Wi-Fi

The following setting information on the Wi-Fi connection is displayed. (Some items are not displayed depending on printer settings.)

Items	Setting
Connection	Enabled (connected) / Enabled (disconnected) / Disable
Network name (SSID)	XXXXXXXXXXXXXXXXXX XXXXXXXXXXXXXXXXXX (up to 32 characters)
Communication mode	Infrastructure
Channel	XX (up to 2 digits)
Wi-Fi security	Disable / WEP (64 bit) / WEP (128 bit) / WPA-PSK (TKIP) / WPA-PSK (AES) / WPA2-PSK (TKIP) / WPA2-PSK (AES)
IPv4 address	XXX. XXX. XXX. XXX (12 characters)
IPv4 subnet mask	XXX. XXX. XXX. XXX (12 characters)
IPv4 default gateway	XXX. XXX. XXX. XXX (12 characters)
IPv4 DNS dynamic settings	Enable / Disable
IPv4 DNS host name	XXXXXXXXXXXXXX
IPv4 DNS domain name	XXXXXXXXXXXXXX XXXXXXXXXXXXXX XXXXXXXXXXXXXX XXXXXXXXXXXXXX XXXXXXXXXXXXXX (up to 64 characters)
IPv6 link-local address	XXXX: XXXX: XXXX: XXXX: XXXX: XXXX: XXXX: XXXX (32 characters)
IPv6 link-local prefix length	XXX (up to 3 digits)
IPv6 manual address	XXXX: XXXX: XXXX: XXXX: XXXX: XXXX: XXXX: XXXX (32 characters)
IPv6 manual prefix length	XXX (up to 3 digits)
IPv6 stateless address 1	XXXX: XXXX: XXXX: XXXX: XXXX: XXXX: XXXX: XXXX (32 characters)
IPv6 stateless prefix length 1	XXX (up to 3 digits)
IPv6 stateless address 2	XXXX: XXXX: XXXX: XXXX: XXXX: XXXX: XXXX: XXXX (32 characters)

<b>IPv6 stateless prefix length 2</b>	XXX (up to 3 digits)
<b>IPv6 stateless address 3</b>	XXXX: XXXX: XXXX: XXXX: XXXX: XXXX: XXXX: XXXX (32 characters)
<b>IPv6 stateless prefix length 3</b>	XXX (up to 3 digits)
<b>IPv6 stateless address 4</b>	XXXX: XXXX: XXXX: XXXX: XXXX: XXXX: XXXX: XXXX (32 characters)
<b>IPv6 stateless prefix length 4</b>	XXX (up to 3 digits)
<b>DHCPv6</b>	<b>Enable / Disable</b>
<b>DHCPv6 stateful address</b>	XXXX: XXXX: XXXX: XXXX: XXXX: XXXX: XXXX: XXXX (32 characters)
<b>DHCPv6 stateful prefix length</b>	XXX (up to 3 digits)
<b>IPv6 default gateway 1</b>	XXXX: XXXX: XXXX: XXXX: XXXX: XXXX: XXXX: XXXX (32 characters)
<b>IPv6 default gateway 2</b>	XXXX: XXXX: XXXX: XXXX: XXXX: XXXX: XXXX: XXXX (32 characters)
<b>IPv6 default gateway 3</b>	XXXX: XXXX: XXXX: XXXX: XXXX: XXXX: XXXX: XXXX (32 characters)
<b>IPv6 default gateway 4</b>	XXXX: XXXX: XXXX: XXXX: XXXX: XXXX: XXXX: XXXX (32 characters)
<b>IPv6 primary DNS server address</b>	XXXXXXXXXXXXXXXX XXXXXXXXXXXXXXXX XXXXXXXXXXXXXXXX (up to 39 characters)
<b>IPv6 secondary DNS server add.</b>	XXXXXXXXXXXXXXXX XXXXXXXXXXXXXXXX XXXXXXXXXXXXXXXX (up to 39 characters)
<b>IPv6 DNS dyn. update: manual</b>	<b>Enable / Disable</b>
<b>IPv6 DNS dyn. update: stateless</b>	<b>Enable / Disable</b>
<b>IPv6 DNS dyn. update: stateful</b>	<b>Enable / Disable</b>
<b>IPv6 Use IPv4 host/domain name</b>	<b>Enable / Disable</b>
<b>IPv6 DNS host name</b>	XXXXXXXXXXXXXXXX XXXXXXXXXXXXXXXX XXXXXXXXXXXXXXXX XXXXXXXXXXXXXXXX XXXXXXXXXXXXXXXX (up to 63 characters)
<b>IPv6 DNS domain name</b>	XXXXXXXXXXXXXXXX XXXXXXXXXXXXXXXX XXXXXXXXXXXXXXXX XXXXXXXXXXXXXXXX XXXXXXXXXXXXXXXX (up to 64 characters)
<b>MAC address</b>	XX:XX:XX:XX:XX:XX (12 characters)
<b>IPsec settings</b>	<b>Enable (ESP) / Enable (ESP &amp; AH) / Enable (AH) / Disable</b>

<b>Printer name</b>	XXXXXXXXXXXXXXXXXX (up to 15 characters)
<b>Bonjour service name</b>	XXXXXXXXXXXXXXXXXX XXXXXXXXXXXXXXXXXX XXXXXXXXXXXXXXXXXX XXXXXXXXXXXXXXXXXX (up to 52 characters)

("XX" represents alphanumeric characters.)

To change the setting, tap **Settings**.

- **Enable/disable Wi-Fi**

Select **Enable** to wirelessly connect via wireless router.

- **Wi-Fi setup**

Select how to setup Wi-Fi.

- **Easy wireless connect**

Select if you specify the settings of the access point information to the printer directly from a device (e.g. smartphone, or tablet) without operating the wireless router. Follow the on-screen instructions of the connecting device for the setup procedure.

- **Manual connect**

Select when you perform settings for Wi-Fi manually using the operation panel of the printer.

- **WPS (Push button method)**

Select when you perform settings for Wi-Fi using a wireless router supporting a Wi-Fi Protected Setup (WPS) push button method. Follow the on-screen instructions during setup.

- **Other connection types**

- **Manual connect (adv.)**

Select when you perform settings for Wi-Fi manually. You can specify multiple WEP keys.

- **WPS (PIN code method)**

Select when you perform settings for Wi-Fi using a wireless router supporting a Wi-Fi Protected Setup (WPS) PIN code method. Follow the on-screen instructions during setup.

### »»» Note

- By tapping **Advanced**, you can set LAN in detail.

For the items that can be set, see the following.

➡ [Advanced](#)

- **Wireless Direct**

The following setting information on the Wireless Direct connection is displayed. (Some items are not displayed depending on printer settings.)

Items	Setting
<b>Connection</b>	<b>Enable / Disable</b>
<b>Network name (SSID)</b>	DIRECT-XXXX-GP-NNNN*1
<b>Password</b>	XXXXXXXXXX (10 characters)

<b>Communication mode</b>	<b>Wireless Direct</b>
<b>Channel</b>	3
<b>Wi-Fi security</b>	<b>WPA2-PSK (AES)</b>
<b>IPv4 address</b>	XXX. XXX. XXX. XXX (12 characters)
<b>IPv4 subnet mask</b>	XXX. XXX. XXX. XXX (12 characters)
<b>IPv4 default gateway</b>	XXX. XXX. XXX. XXX (12 characters)
<b>IPv4 DNS dynamic settings</b>	<b>Enable / Disable</b>
<b>IPv4 DNS host name</b>	XXXXXXXXXXXXXX
<b>IPv4 DNS domain name</b>	XXXXXXXXXXXXXX XXXXXXXXXXXXXX XXXXXXXXXXXXXX XXXXXXXXXXXXXX XXXXXXXXXXXXXX (up to 64 characters)
<b>IPv6 link-local address</b>	XXXX: XXXX: XXXX: XXXX: XXXX: XXXX: XXXX: XXXX (32 characters)
<b>IPv6 link-local prefix length</b>	XXX (up to 3 digits)
<b>MAC address</b>	XX:XX:XX:XX:XX:XX (12 characters)
<b>IPsec settings</b>	<b>Disable</b>
<b>Printer name</b>	XXXXXXXXXXXXXXXXXX (up to 15 characters)
<b>Bonjour service name</b>	XXXXXXXXXXXXXX XXXXXXXXXXXXXX XXXXXXXXXXXXXX XXXXXXXXXXXXXX (up to 52 characters)

\*1 means printer's model name

("XX" represents alphanumeric characters.)

To change the setting, tap **Settings**.

- **Enable/disable Wireless Direct**

Select **Yes** to wirelessly connect without wireless router.

- **Update SSID/password**

Updates the identifier (SSID) and password.

- **Wireless Direct network (SSID)**

Changes the name (device name) of the printer displayed on Wi-Fi Direct compatible device.

- **Connection request confirmation**

Changes the display / non-display of the confirmation screen when Wi-Fi Direct compatible devices are connected to the printer.

### ▶▶▶ Note

- By tapping **Advanced**, you can set LAN in detail.  
For the items that can be set, see the following.

• **Wired LAN**

The following setting information on the Wired LAN connection is displayed. (Some items are not displayed depending on printer settings.)

Items	Setting
Connection	Enabled (connected) / Enabled (disconnected) / Disable
IPv4 address	XXX. XXX. XXX. XXX (12 characters)
IPv4 subnet mask	XXX. XXX. XXX. XXX (12 characters)
IPv4 default gateway	XXX. XXX. XXX. XXX (12 characters)
IPv4 DNS dynamic settings	Enable / Disable
IPv4 DNS host name	XXXXXXXXXXXX
IPv4 DNS domain name	XXXXXXXXXXXX XXXXXXXXXXXX XXXXXXXXXXXX XXXXXXXXXXXX XXXXXXXXXXXX (up to 64 characters)
IPv6 link-local address	XXXX: XXXX: XXXX: XXXX: XXXX: XXXX: XXXX: XXXX (32 characters)
IPv6 link-local prefix length	XXX (up to 3 digits)
IPv6 manual address	XXXX: XXXX: XXXX: XXXX: XXXX: XXXX: XXXX: XXXX (32 characters)
IPv6 manual prefix length	XXX (up to 3 digits)
IPv6 stateless address 1	XXXX: XXXX: XXXX: XXXX: XXXX: XXXX: XXXX: XXXX (32 characters)
IPv6 stateless prefix length 1	XXX (up to 3 digits)
IPv6 stateless address 2	XXXX: XXXX: XXXX: XXXX: XXXX: XXXX: XXXX: XXXX (32 characters)
IPv6 stateless prefix length 2	XXX (up to 3 digits)
IPv6 stateless address 3	XXXX: XXXX: XXXX: XXXX: XXXX: XXXX: XXXX: XXXX (32 characters)
IPv6 stateless prefix length 3	XXX (up to 3 digits)
IPv6 stateless address 4	XXXX: XXXX: XXXX: XXXX: XXXX: XXXX: XXXX: XXXX (32 characters)
IPv6 stateless prefix length 4	XXX (up to 3 digits)
DHCPv6	Enable / Disable
DHCPv6 stateful address	XXXX: XXXX: XXXX: XXXX: XXXX: XXXX: XXXX: XXXX (32 characters)
DHCPv6 stateful prefix length	XXX (up to 3 digits)

<b>IPv6 default gateway 1</b>	XXXX: XXXX: XXXX: XXXX: XXXX: XXXX: XXXX: XXXX (32 characters)
<b>IPv6 default gateway 2</b>	XXXX: XXXX: XXXX: XXXX: XXXX: XXXX: XXXX: XXXX (32 characters)
<b>IPv6 default gateway 3</b>	XXXX: XXXX: XXXX: XXXX: XXXX: XXXX: XXXX: XXXX (32 characters)
<b>IPv6 default gateway 4</b>	XXXX: XXXX: XXXX: XXXX: XXXX: XXXX: XXXX: XXXX (32 characters)
<b>IPv6 primary DNS server address</b>	XXXXXXXXXXXXXXXXXX XXXXXXXXXXXXXXXXXX XXXXXXXXXXXXXXXXXX (up to 39 characters)
<b>IPv6 secondary DNS server add.</b>	XXXXXXXXXXXXXXXXXX XXXXXXXXXXXXXXXXXX XXXXXXXXXXXXXXXXXX (up to 39 characters)
<b>IPv6 DNS dyn. update: manual</b>	<b>Enable / Disable</b>
<b>IPv6 DNS dyn. update: stateless</b>	<b>Enable / Disable</b>
<b>IPv6 DNS dyn. update: stateful</b>	<b>Enable / Disable</b>
<b>IPv6 Use IPv4 host/domain name</b>	<b>Enable / Disable</b>
<b>IPv6 DNS host name</b>	XXXXXXXXXXXXXXXXXX XXXXXXXXXXXXXXXXXX XXXXXXXXXXXXXXXXXX XXXXXXXXXXXXXXXXXX XXXXXXXXXXXXXXXXXX (up to 63 characters)
<b>IPv6 DNS domain name</b>	XXXXXXXXXXXXXXXXXX XXXXXXXXXXXXXXXXXX XXXXXXXXXXXXXXXXXX XXXXXXXXXXXXXXXXXX XXXXXXXXXXXXXXXXXX (up to 64 characters)
<b>MAC address</b>	XX:XX:XX:XX:XX:XX (12 characters)
<b>IPsec settings</b>	<b>Enable (ESP) / Enable (ESP &amp; AH) / Enable (AH) / Disable</b>
<b>Printer name</b>	XXXXXXXXXXXXXXXXXX (up to 15 characters)
<b>Bonjour service name</b>	XXXXXXXXXXXXXXXXXX XXXXXXXXXXXXXXXXXX XXXXXXXXXXXXXXXXXX XXXXXXXXXXXXXXXXXX (up to 52 characters)

("XX" represents alphanumeric characters.)

To change the setting, tap **Settings**.

- **Enable/disable Wired LAN**

Select **Enable** when connecting to wired LAN.

### ▶▶▶ Note

- By tapping **Advanced**, you can set LAN in detail.

For the items that can be set, see the following.

➡ [Advanced](#)

#### • **Print details**

Prints out the LAN setting information of the printer with Wi-Fi connection, wired LAN connection, wireless direct connection.

For the items that can be checked, see the following.

➡ [Printing Network Settings](#)

#### ▶▶▶ **Important**

- Important information on your computer is stated on the paper on which the LAN setting information is printed. Please handle with care enough.

#### ▶▶▶ **Note**

- You can also print out the LAN setting information by tapping in the following order.

**Printer settings > Test print > Print LAN details**

#### • **Advanced**

By tapping **Advanced** on each setting screen of Wi-Fi connection, wired LAN connection, wireless direct connection, LAN information can be set in detail.

#### ▶▶▶ **Important**

- If the LAN is disabled, the following items can not be selected.

- **Set printer name**

Specifies the printer name. You can use 2 to 15 characters for the name.

#### ▶▶▶ **Note**

- You cannot use the same printer name as that already used for other LAN connected devices.
- You cannot use a hyphen for the initial or last character of the printer name.

- **TCP/IP settings**

Performs IPv4 or IPv6 setting.

- **WSD settings**

Setting items when you use WSD (one of the network protocols supported in Windows 10, Windows 8.1, and Windows 7).

- **Enable/disable WSD**

Selects whether WSD is enabled or disabled.

#### ▶▶▶ **Note**

- When this setting is enabled, the printer icon is displayed on the Network Explorer in Windows 10, Windows 8.1, and Windows 7.

- **Optimize inbound WSD**

Selecting **Enable** allows you to receive the WSD printing data faster.

- **Timeout settings**

Specifies the timeout length.

- **Bonjour settings**

Setting items when you use Bonjour.

- **Enable/disable Bonjour**

Selecting **Enable** allows you to use Bonjour to perform the network settings.

- **Service name**

Specifies the Bonjour service name. You can use up to 48 characters for the name.

»» **Note**

- You cannot use the same service name as that already used for other LAN connected devices.

- **SNTP settings**

Performs various settings for SNTP (Simple Network Time Protocol).

- **Spanning tree settings**

Enables/Disables spanning tree. Selecting **Enable** avoids circulating data on a network.

- **LPR protocol settings**

Enables/Disables the LPR setting.

- **RAW protocol**

Enables/Disables RAW printing.

- **LLMNR**

Specifies ON/OFF of LLMNR (Link-Local Multicast Name Resolution). Selecting **ON** allows the printer to detect printer's IP address from the printer name without a DNS server.

- **Gigabit Ethernet settings**

Specifies the communication speed and communication method when using Gigabit Ethernet.

- **Use Dedicated Port**

Selects whether to use a dedicated port for a command sent from a Canon application to the printer.

Selecting **ON** allows you to use the dedicated port.

- **IPP settings**

Selecting **Enable** allows you to print via the network with the IPP protocol.

If you use the security print function when printing using IPP protocol in AirPrint etc., select **Enable** for **Security Print**.

- **Wi-Fi DRX settings**

Selecting **Enable** allows you to activate discontinuous reception when using Wi-Fi.

- **Wired LAN DRX settings**



Selecting **Enable** allows you to activate discontinuous reception when the printer is connected to a device compatible with wired LAN.

- **Reset SSL certificates**

Initializes SSL certificate information.

- **Reset LAN settings**

Initializes the network settings on the printer.

After resetting, perform setup again as necessary.

## Test print

---

Select this setting item from **Printer settings**.

- **Nozzle Check**

Prints out the nozzle check pattern.

➡ [Checking for Nozzle Clogging](#)

- **Status print**

Prints out the printer status and setting value information.

▶▶▶ **Note**

- **Status print (administrator)** is also displayed if the administrator password is enabled for changing settings using the operation panel.

➡ [Status Print](#)

- **Print LAN details**

Prints out the network setting information.

➡ [Printing Network Settings](#)

- **Print the print settings**

Prints out the print settings list.

- **Print advanced paper settings**

Prints out the setting values specified by **Advanced paper settings**.

- **Print job history**

Prints out a record of print jobs, including the paper type and size, amount of ink consumed, and so on. Ink consumption indicates a rough estimate of the amount of ink consumed per print job.

➡ [Job management](#)

- **Print menu map**

Prints out the menu list.

- **Print the color chart**

Prints out the color chart.

## Print settings

Select this setting item from **Printer settings**.

- **Print head movable width setting**

Adjusts the print head movable width.

- **Prioritize paper size**

This is a setting item for roll paper.

Select **Enable** to use the paper size setting as the basis for printing instead of other settings. The text or images in the margin are not printed.

Select **Disable** to give priority to printing text or images.

### ▶▶▶ Note

- The printed paper length is longer than the actual paper length. This is because the printed paper includes the upper/lower margins specified by **Roll Paper Safety Margin** and **Near End Margin** in the printer driver and excludes the paper margins.

- **Magnification level for borderless**

Sets magnification level when performing borderless printing in the following print method.

Normally, the image is enlarged slightly and printed so that there is no border. If the border remains, change this setting.

- Printing JPEG file
- Printing using AirPrint
- Printing PDF file
- Printing data saved on the USB flash drive directly
- Printing directly from FTP

- **PDF print settings**

Performs PDF print settings.

- **JPEG print settings**

Performs JPEG print settings.

- **Print from USB flash settings**

Performs settings for printing data saved on the USB flash drive.

- **AirPrint print settings**

Performs **AirPrint print settings** when printing with AirPrint.

- **Direct print settings from FTP**

Performs print settings when printing directly from FTP. You can perform four settings individually.

- **Default print settings**

Prints out the default values of print settings.

- **Print the print settings**

Prints out the print settings list.

## Web service setup

---

Select this setting item from **Printer settings**.

### »» Important

- The administrator password is required to change settings if it is enabled for changing settings using the operation panel.
- **Web service usage registration/Web service usage cancellation**  
Registers/Deletes Web service usage to use the printer device information to/from PIXMA/MAXIFY Cloud Link.
- **Issue registration code**  
In order to link the web service and printer, obtain the registration code from the service origin.
- **DNS server setup**  
Performs settings for a DNS server. Select **Auto setup** or **Manual setup**. If you select **Manual setup**, follow the display on the touch screen to perform settings.
- **Proxy server setup**  
Performs settings for a proxy server. Follow the display on the touch screen to perform settings.

## Paper-related settings

Select this setting item from **Printer settings**.

- **Roll paper auto feed**

Enables/disables feeding roll paper automatically when you load it on the roll unit.

Selecting **Enable** detects the paper edge automatically and paper is loaded automatically only by putting roll paper on the roll unit.

Select **Disable** if you load roll paper manually, or if you have any problem in feeding roll paper automatically.

### »» Note

- Roll paper with a width of less than 250 mm cannot be fed automatically.  
Select **Disable** and feed paper manually.

- **Media type selection method**

Specifies a method to select the media type when paper is loaded.

- **Manual**

You need to select a media type from the registered media types manually.

- **Auto detect**

The media type estimated by the printer's sensor is set automatically.

As the estimation accuracy increases, it will be not necessary to select the media type each time.

- **Auto with confirmation**

Among the media types estimated by the printer's sensor, the most likely ones are listed at the top.

You need to select a media type from the listed media types manually.

- **Use current media type**

Select this to continue using the same type of paper.

### »» Note

- When using the paper estimation function, the paper width detection function is enabled even if you set **Detect paper width** to **Disable**.
- If the loaded paper is used by your printer for the first time, or if there is no applicable media type, **No selection log entry** will be displayed.  
If **No selection log entry** is displayed, select a media type manually.  
At this time, the printer learns the data of the selected media type.  
The next time the same paper is loaded, the media type is estimated from this data.
- When using a paper that is not listed in the paper information list, perform **Create Custom Paper** in Media Configuration Tool. After create the paper information, we recommend to perform **Paper feed adjustment**.

- If the created custom paper does not appear as a candidate in the paper information list even if it is fed many times, perform **Paper feed adjustment** again.
- Errors may occur in the estimation results.

- **Manage remaining roll amount**

Selects the method to manage remaining roll amount and that to display warning when the roll is running short.

- **Barcodes**

Manages remaining roll amount by using a barcode.

By using the barcode every time you replace a roll, you can manage remaining roll amount properly. Specify the roll length properly when you load a new roll.

- **Auto estimate**

Estimates and manages the remaining amount of roll paper.

The estimated remaining roll amount is displayed on the HOME screen.

The barcode is not printed when **Auto estimate** is selected.

To estimate the remaining roll amount, **Paper thickness** and **Paper core outer diameter** have to be set correctly.

When using a paper that is not listed in the paper information list, set Thickness and Paper Tube Size in **Advanced paper settings** or in Media Configuration Tool.

For paper thickness and paper tube outer diameter size, contact the paper manufacturer.

**▶▶▶ Important**

- If you do not select the media type correctly, the remaining roll amount may not be estimated correctly.
- There is an error in the estimated remaining roll amount, and paper may run out during printing.

- **Disable**

Select to disable managing remaining roll amount.

- **Roll amount warning settings**

Specifies when to warn the remaining roll paper amount.

**▶▶▶ Note**

- This setting is enabled when **Barcodes** or **Auto estimate** is selected for **Manage remaining roll amount**.

- **Switch roll paper when low**

Switches the roll paper for printing automatically when the roll is running out while printing is in progress.

- **Enable**

This setting is valid only when **Barcodes** is selected for **Manage remaining roll amount**.

The roll paper for printing is switched with several rolls remaining.

- **Disable**

Switches the roll paper for printing by estimating the remaining amount based on the roll amount value you entered.

In addition, if the roll length is not specified properly, paper may remain when switching, or it may have run out while printing is in progress.

- **Roll paper auto switching**

Enables/Disables switching roll paper feed position by detecting the paper size.

- **Detect paper setting mismatch**

Selects printer action when you start printing with the paper size, the media type, and print settings different from those registered.

- **Paper retention settings**

Selects whether to contact the roll nip with the rolls in feeding paper.

- If you select **While feeding**, the roll nip contacts with the rolls and automatic feeding is enabled.
- If you select **Release**, the roll nip does not contact with the rolls.

If you select **Release**, automatic feed and automatic switching of top and bottom roll paper can not be performed. Feed paper manually.

- **Paper size recognition settings**

Selects which size is preferred when paper size detection is enabled.

- **Cut sheet setting 1**

Select whether ISO A3+ or 13"x19"(Super B) is applied when a sheet of an intermediate size is detected.

- **Cut sheet setting 2\*1**

Select whether ISO B1 or 28"x40" (ANSI F) is applied when a sheet of an intermediate size is detected.

\*1: Not displayed on GP-2000 and GP-520.

- **Roll paper setting 1**

Select whether 10 in. or B4 is applied when a roll of an intermediate size is detected.

- **Roll paper setting 2**

Select whether A3 or 300 mm is applied when a roll of an intermediate size is detected.

- **Roll paper setting 3**

Select whether 300 mm or 12 in. is applied when a roll of an intermediate size is detected.

- **Roll paper setting 4**

Select whether 500 mm or 20 in. is applied when a roll of an intermediate size is detected.

- **Roll paper setting 5**

Select whether 20 in. or B2 is applied when a roll of an intermediate size is detected.

- **Roll paper setting 6**



Select whether A1 or 600 mm is applied when a roll of an intermediate size is detected.

- **Roll paper setting 7**

Select whether 600 mm or 24 in. is applied when a roll of an intermediate size is detected.

- **Adjust roll unit**

Select this setting item when you replace the roll unit.

- **Keep margin at cut sheet end**

When printing on the sheet using AirPrint, selecting **Enable** sets the trailing edge of the paper to 20 mm. Select **Enable** if printing on the trailing edge of the paper is disturbed.

- **Advanced paper settings**

Performs advanced paper settings for each media types.

- **Print advanced paper settings**

Tapping **Yes** prints out each setting specified in **Advanced paper settings**.

- **Add priority roll paper width**

When paper size is detected, set the width of the roll paper to be recognized first. Judge in order from 1 in the list.

- **Reset all detection priority data**

Resets estimated data for all learned paper when **Auto detect** or **Auto with confirmation** is selected in **Media type selection method**.

- **Reset paper settings for all paper**

Tapping **Yes** initializes each setting specified in **Advanced paper settings**.

Entering the administrator password is required if it is enabled.

### **▶▶▶ Important**

The following information is deleted when paper information is reset to the factory defaults.

- Estimated data for all learned paper when **Auto detect** or **Auto with confirmation** is selected in **Media type selection method**.
- Media type selection log.

## Auto maintenance settings

---

Select this setting item from **Printer settings**.

### »» Important

- The administrator password is required to change settings if it is enabled for changing settings using the operation panel.

- **Auto nozzle check**

Enables/Disables automatic nozzle checking. You can also select the page interval to perform automatic nozzle checking.

- **Nozzle check error display**

Enables/Disables displaying the nozzle check error.

- **System Cleaning frequency**

Specifies the frequency of automatic system cleaning.

### »» Note

- To maintain print quality, we recommend you select **Short** if you use the printer at a higher place.

- **Print pattern after new head**

Selects whether you print an adjustment pattern after replacing the Print head.

## Hard disk settings

Select this setting item from **Printer settings**.

### ▶▶▶ Important

- The administrator password is required to change settings if it is enabled for changing settings using the operation panel.

- **Output method**

Selects the printing method for jobs received from software other than the printer driver. When using the printer driver, configure settings on the printer driver.

- **Print**

Performs printing as usual.

- **Print (auto delete)**

Deletes the data from the printer's hard disk after printing is completed.

- **Save to job box**

Only saves the print job in job box without printing it.

- **Save first and print**

A setting for jobs received from software other than the printer driver. When using the printer driver, configure settings on the printer driver. Select **ON** to print the job after it has been saved.

- **Common job box settings**

Select **Print (auto delete)** to print without saving jobs in common job box.

- **File deletion settings**

Selects the data erasing method when deleting a **Print job** or **Saved job**, or when **Print (auto delete)** is selected in **Output method** or **Common job box settings**.

- **Fast**

Erases file management data for print job data stored on the printer's hard disk. Choose this method for relatively fast erasure. Because only the file management data is erased, the print job data itself is not erased.

- **Fast secure**

Erases the data encryption key specified for the hard disk drive. Specifying the encryption key again does not allow you to read and use data saved in the past safely and fast. Select to erase highly confidential data.

- **Secure**

Overwrites the entire hard disk with 00, FF, and random data (one time each) after the data encryption key specified for the hard disk drive is erased. Verification is performed to check if the data was correctly written. Choose this method to erase especially confidential data. It is virtually impossible to recover the overwritten data. Conforms to the DoD5220.22-M standard of the U.S. Department of Defense.

- **Secure (VSITR)**

Overwrites the entire hard disk with 00 next overwrites with FF after the data encryption key specified for the hard disk drive is erased. After repeating this process three times, the entire hard disk is overwritten with AA. It is virtually impossible to recover the overwritten data. Conforms to the guidelines of German Federal Government (VS-ITR).

- **Data deletion**

Selects the method to delete data on printer's hard disk.

➡ [Erasing Data on Printer's Hard Disk](#)

## Monitoring service settings

Select this setting item from **Printer settings**.

### »»» Important

- The administrator password is required to change settings if it is enabled for changing settings using the operation panel.

- **Enable/disable monitoring service**

Selecting **Enable** allows the printer to send error details to the service center.

When selecting **Enable**, perform a communication test.

- **Communication test**

Performs a communication test with the service center.

- **Communication log**

Displays the list of error numbers (up to 30), error code, and time the error occurs. Tapping an item displays the error details.

Main errors and countermeasures

Error code	Error detail	Countermeasure
0xxx0003	Communication test is not performed.	Perform the communication test.
8xxx0003	E-RDS switch is setting OFF.	Enable monitoring service.
8xxx2003	Network is not ready, try later.	Check the network settings.
8xxx200A	Server connection error	Check the network settings.
8xxx2014	Proxy connection error	Check the proxy server address etc.
8xxx201E	Proxy authentication error	Check the user name and password to log in to the proxy server.
8xxx2046	Server certificate expired	The server certificate has expired. Set the correct date and time on the printer.
8xxx2047	Server response time out	Check the network settings. Check the proxy server address. Make sure that the correct date and time is set on the printer.
8xxx2058	Unknown error	Wait a while, and then try the communication test again.

- **Warning notification settings**

Displays a message on the touch screen selecting **Enable** when communication with the service center fails.

## Other printer settings

Select this setting item from **Printer settings**.

### ▶▶▶ Important

- The administrator password is required to change settings if it is enabled for changing settings using the operation panel.

- **Energy saving settings**

To save electricity, enable this setting to turn off the printer automatically or to enter sleep mode when specified length of time has elapsed.

- **Auto power off**

Sets the time until the printer turns off automatically. If no operations are performed on the printer for the specified duration of the time after entering Sleep mode, the printer automatically turns off.

- **Sleep timer**

Specifies the length of time to enter sleep mode automatically when no operation is made.

### ▶▶▶ Note

If the print job contains a pending job or a security print job, the printer does not enter sleep mode.

- **Use USB connection**

**Use / Do not use** USB connection.

- **Date/time settings**

Sets the current date and time.

- **Date display format**

Sets the format of dates displayed on the touch screen and printed on photos.

- **Time zone (GMT)**

Specifies the time zone according to a country or region you live in.

Specifying the time zone allows you to display the correct time and date an e-mail was sent on your mail software.

Select the time difference from GMT (Greenwich mean time) according to a country or region you live in.

- **Length unit settings**

Selects the length unit (meter or feet/inch).

- **Buzzer settings**

The printer beeps once for warnings and 3 times for errors when **Enable** is selected.

- **EOP timer settings**

Specify the timeout period before cancellation of print jobs that cannot be received by the printer.

- **Job history sending settings**

Select **Send** to send the information to the printer management and job management systems.

- **Menu row height**

Adjusts the line spacing of some setting items displayed on the touch screen.

## Language selection

---

Select this setting item from **Printer settings**.

### »» Important

- The administrator password is required to change settings if it is enabled for changing settings using the operation panel.

Changes the language for the messages and menus on the touch screen.



## Firmware update

---

Select this setting item from **Printer settings**.

### ▶▶▶ Important

- The administrator password is required to change settings if it is enabled for changing settings using the operation panel.

You can update the firmware of the printer, check the firmware version, or perform settings of a notification screen, a DNS server and a proxy server.

### ▶▶▶ Note

- If LAN is disabled, you can not use **Install update**, **DNS server setup**, **Proxy server setup**.

- **Install update**

Performs the firmware update of the printer.

➡ [Firmware update](#)

- **Check current version**

You can check the current firmware version.

- **Update notification settings**

When **Yes** is selected and the firmware update is available, the screen to inform you of the firmware update is displayed on the touch screen.

- **DNS server setup**

Performs settings for a DNS server. Select **Auto setup** or **Manual setup**. If you select **Manual setup**, follow the display on the touch screen to perform settings.

- **Proxy server setup**

Performs settings for a proxy server. Follow the display on the touch screen to perform settings.

## Security settings

Select this setting item from **Printer settings**.

### »» Important

- The administrator password is required to change settings if it is enabled for changing settings using the operation panel.

- **Administrator password settings**

You can specify or disable the administrator password.

If you specify the administrator password, select the range and specify the administrator password.

- **Remote UI and other tools**

- Entering the administrator password is required to change the setting items using Remote UI or some software.

- **LCD, Remote UI, and other tools**

- Entering the administrator password is required to change the setting items using the operation panel of the printer, Remote UI, or some software.

For details:

➔ [Setting Administrator Password on Operation Panel](#)

- **Operation restrictions**

Restricts the following operations.

- **Job history**

- Restricts to display or print the print job history.

- **Remote UI**

- Restricts to use Remote UI.

- **Print from USB flash drive**

- Restricts to print data on USB flash drive.

- **IEEE802.1X settings**

Performs various settings for IEEE802.1X.

## Printer information

---

Select this setting item from HOME screen.

- **System information**

Displays printer's system information.

- **Hard disk information**

Displays the total or free space of the printer hard disk.

- **Error history**

Displays the error history.

- **Hardware error**

Displays the hardware error codes (up to 5).

- **Recoverable error**

Displays the recoverable error (e.g. paper or ink related error) codes (up to 5).

- **Paper feed/transfer error**

Displays the error codes for errors which occur during paper feed/transfer (up to 5).

Tapping an error code displays the error details.

For more on the error code, refer to [List of Support Code for Error](#).

- **Usage**

Displays the printer's record of use such as total print area or the amount of ink consumption.

- **Head information**

Displays the Print head serial number, elapsed days since the current Print head was installed, and dot count.

- **Head alignment performance log**

Displays the Print head alignment performance log (up to 5).

- **Values applied with auto settings**

Displays the print settings applied the last print job.

## Setting Administrator Password on Operation Panel

You can specify or disable the administrator password.

Specifying the administrator password requires you to enter the password to use the items or change the settings below.

- LAN settings
- Web service setup
- Auto maintenance settings
- Hard disk settings
- Monitoring service settings
- Other printer settings
- Language selection
- Firmware update
- Security settings
- Import/export settings
- Initialize printer settings
- Status print (administrator)

Follow the procedure below to specify the administrator password.

### ▶▶ Important

- The administrator password is set at the time of purchase.  
The printer's serial number is used as the password.



1. Tap **Printer settings** on HOME screen.

➔ [Home Screen Menu Composition](#)

2. Tap **Security settings**.

If you specify the administrator password, enter the password.

3. Tap **Administrator password settings**.

If you specify the administrator password, enter the password.

4. Tap **Change administrator password**.

5. Select range where administrator password is valid.

#### Remote UI and other tools

Entering the administrator password is required to change the setting items using Remote UI or some software.

#### LCD, Remote UI, and other tools

Entering the administrator password is required to change the setting items using the operation panel of the printer, Remote UI, or some software.

6. Enter new administrator password.

**»» Important**

- The following character restrictions apply to the password:
  - Set the password by using 4 to 32 characters.
  - The allowed characters are single-byte alphanumeric characters, blank space, umlaut characters, and the below characters.  
- ! @ # \$ % ^ & \* \_ ; : , . / ` = + ' " ( ) { } [ ] < > |
  - For security reasons, we recommend you use 8 and more alphanumeric characters.

7. Tap **Apply**.

8. Enter administrator password you specified again.

9. Tap **Apply**.

The administrator password is enabled.

**When You Want to Disable the Administrator Password:**

Select **Printer settings > Security settings > Administrator password settings > Remove administrator password** on the operation panel. Follow the on-screen instructions during setup.

# Erasing Data on Printer's Hard Disk

## »» Important

- The administrator password is required to change settings if it is enabled for changing settings using the operation panel.
- For a more secure method of preventing data recovery, we recommend physically or magnetically destroying the hard disk. In this case, the hard disk can no longer be used.
- You cannot erase HDD data if there is a job queue. Additionally, print jobs are not processed while data erasing is in progress.



1. Tap **Printer settings** on HOME screen.

➔ [Home Screen Menu Composition](#)

2. Tap **Hard disk settings**.

If you specify the administrator password, enter the password.

3. Tap **Data deletion**.

4. Tap erasing method.

### **Fast**

Erases file management data for print job data stored on the printer's hard disk. Choose this method for relatively fast erasure. Because only the file management data is erased, the print job data itself is not erased.

### **Fast secure**

Erases the data encryption key specified for the hard disk drive. Specifying the encryption key again does not allow you to read and use data saved in the past safely and fast. Select to erase highly confidential data.

### **Secure**

Overwrites the entire hard disk with 00, FF, and random data (one time each) after the data encryption key specified for the hard disk drive is erased. Verification is performed to check if the data was correctly written. Choose this method to erase especially confidential data. It is virtually impossible to recover the overwritten data. Conforms to the DoD5220.22-M standard of the U.S. Department of Defense.

### **Secure (VSITR)**

Overwrites the entire hard disk with 00 next overwrites with FF after the data encryption key specified for the hard disk drive is erased. After repeating this process three times, the entire hard disk is overwritten with AA. It is virtually impossible to recover the overwritten data. Conforms to the guidelines of German Federal Government (VS-ITR).

5. Confirm displayed message and tap **Yes**.

Data on the hard disk are erased.

## Status Print

You can print a "Status Print" report indicating the current status of the printer.

With "Status Print", information is printed regarding the printer firmware version, various settings, and the status of consumables.

Follow the procedure below to print.

1. Tap  **Printer settings** on HOME screen.

➔ [Home Screen Menu Composition](#)

2. Tap **Test print**.

3. Tap **Status print**.

### ▶▶▶ Note

- If you specify the administrator password, tap **Status print (administrator)**.

4. Tap **Yes**.

The printer starts printing.

The following information is included.

Canon xxxxxxxxxxxxxxxxxxxx Status Print	Printer model
S/N	Printer serial number
Firm	Firmware version
Boot	Boot ROM version
Date	Date and time when the status print was output

Paper Info		
	Roll Media	<b>Type</b> of roll paper
	Cut Sheet	<b>Type</b> of cut sheet

Job Menu		
	Job History	
	Log *1	Details of up to 5 jobs (Job name is printed as "**".)

\*1Printed only when **Status print (administrator)** is selected.

Settings		
	Printer settings	
	Print settings	Setting values of <b>Print head movable width setting</b> and <b>Prioritize paper size</b>
	Paper-related settings	Setting values of <b>Paper-related settings</b>

Device settings		
	Auto maintenance settings	Setting values of <b>Auto maintenance settings</b>
	Hard disk settings	Each setting value of <b>Hard disk settings</b>
	Device user settings	Setting values of <b>Other printer settings</b>
	Language selection	Setting value of <b>Language selection</b>
	Firmware update notification	Setting values of <b>Update notification settings</b>
	Monitoring service settings	Setting values of <b>Enable/disable monitoring service</b>
	Roll unit use setting *2	Each setting value of <b>Take-up mode</b>

\*2 Printed only when you select **ON**.

Maintenance		
	Color calibration	Setting value of <b>Color calibration</b>

Usage Condition		
	Hard disk information	<b>Hard disk capacity</b> and <b>Job box free space</b>
	Hardware error	History information of <b>Hardware error</b>
	Error	History information of <b>Recoverable error</b>
	Warning	Warning history information
	Jam	History information of <b>Paper feed/transfer error</b>
	Maintenance cartridge usage / Remaining ink level	Values of <b>Ink consumed</b>
	Duty counter	Values of <b>Duty counter</b>

PARTS STATUS		
	COUNTER	Part status

Head information		
	HEAD LOT NUMBER/ DATE OF INSTALLATION	Information of <b>Head information</b>
	Head alignment performance log	History information of <b>Head alignment performance log</b>

COUNTER		
	MEDIA	Usage status by media
	THE NUMBER OF CUTS	Total number of cuts
	AFTER INSTALLATION	Number of days from the use start date



## **Changing Printer's Setting Using Web Browser**

---

- **Start up Remote UI**
- **Changeable Setting Items Using Remote UI**
- **Setting Passwords Using Remote UI**
- **Registering Printer's Root Certificate to Web Browser for SSL Communication**
- **Registering Printer's Root Certificate to Local Computer for SSL Communication**
- **Generating Server Certificate**
- **Setting Mail Server**
- **Receiving Printer Status by E-mail**

## Start up Remote UI

You can check the printer status and change the printer settings using the web browser on your smartphone, tablet, or computer.

To check the printer status and to change the printer settings, display "Remote UI" on the web browser.

### ▶▶▶ Note

- Remote UI is a software that enables you to perform operations, which are usually performed on the printer's operation panel, using a Web browser over a network.

LAN connection with the printer is required to use Remote UI.

- You can use Remote UI on the following OS and the web browser.

- iOS device

OS: iOS 12.0 or later

Web browser: iOS standard Web browser (Mobile Safari)

- iPadOS device

OS: iPadOS 13.0 or later

Web browser: iPadOS standard Web browser (Mobile Safari)

- Android device

OS: Android 5.1 or later

Web browser: Android standard Web browser (Browser or Chrome)

- macOS device

OS: macOS Sierra 10.12 or later

Web browser: Safari 10.0 or later

- Windows device

OS: Windows 7 SP1 or later

Web browser: Microsoft Edge, Internet Explorer 11, Mozilla Firefox, Google Chrome

- Enable JavaScript and cookies in the web browser.

### 1. Check printer's IP address.

1. Tap  **LAN settings** on HOME screen.

➡ [Home Screen Menu Composition](#)

2. Tap the enabled LAN.

Diagonal lines are displayed for disabled LAN icons.

3. Check **IPv4 address**.

2. Open web browser on your smartphone, tablet, or computer and enter IP address.

Enter as following in the URL field of the web browser.

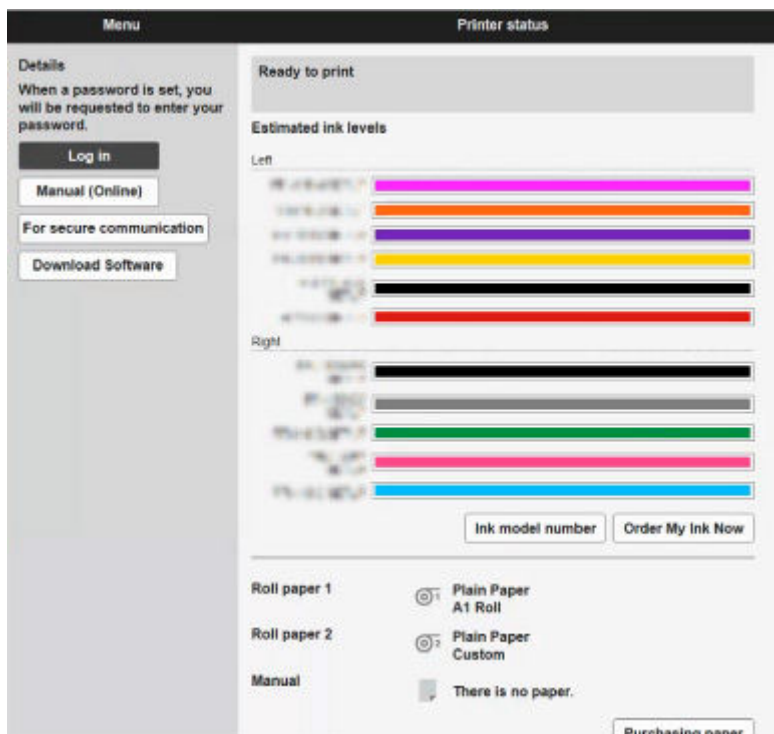
http://XXX.XX.X.XXX

Enter the IP address of the printer in "XXX.XX.X.XXX".

▶▶▶ **Note**

- If you have set a DNS host name, you can also enter this.

When you access, "Remote UI" will be displayed on the web browser on your smartphone, tablet, or computer.



▶▶▶ **Note**

- If you display Remote UI for the first time on your smartphone, tablet, or computer, download the root certificate, and then register it.
  - ➔ [Registering Printer's Root Certificate to Web Browser for SSL Communication](#)
- If the root certificate is not registered, a message to warn you that the secure connection is not guaranteed may appear.

3. Select **Log in**.

The password authentication screen appears.

▶▶▶ **Note**

- When the standard user mode is enabled, choose either administrator mode or standard user mode to log on.

After choosing a mode and selecting **Log in**, the password authentication screen of each mode appears.

#### 4. Enter password.

When the password authentication is complete, the menus that can be utilized are displayed on the web browser.

#### Important

- The password is set at the time of purchase. The password is the printer serial number. The printer serial number is printed on the sticker attached on the printer. It consists of 9 alphanumeric characters (four alphabets followed by five numbers).

For details on setting password, see [Setting Passwords Using Remote UI](#).

#### 5. Confirm that the main screen of Remote UI is displayed.

For changeable setting items, see below.

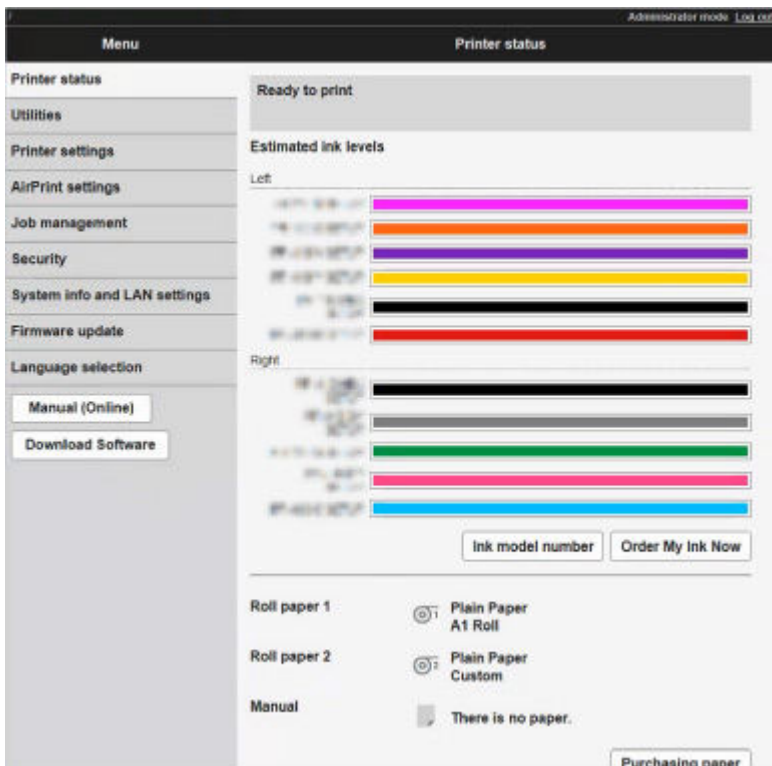
➡ [Changeable Setting Items Using Remote UI](#)

When you finish checking printer status and changing printer settings, select **Log out**.

# Changeable Setting Items Using Remote UI

## ►►► Note

- The item which can be used is different in administrator mode or in standard user mode.



### Printer status

This function displays printer information such as the remaining ink amount, the status, and detailed error information.

You can also connect to the ink purchase site or support page, and use Web Services.

### Utilities

This function allows you to set and perform maintenance such as cleaning.

### Printer settings

This function allows you to change the printer settings such as the energy saving settings and the print settings.

Additionally, this function allows you to receive the printer status information such as the remaining ink level and the error.

- ➔ [Setting Mail Server](#)
- ➔ [Receiving Printer Status by E-mail](#)

You can disable any operations using the operation panel from **Operation panel lock** on **Custom settings**.

## ►►► Note

- Some of the menu is available only when you logged on in administrator mode.

### **AirPrint settings**

This function allows you to specify the AirPrint settings when printing with AirPrint.

### **Job management**

This function allows you to display the job history and print it.

In addition, you can delete jobs from this item.

### **»» Note**

- When you are logging on in administrator mode, you can restrict this function in standard user mode.

### **[Security](#) (Item for administrator)**

This function allows you to specify the password, the standard user mode settings, the operation restrictions, and SSL/TLS settings of certificate for encrypted communication.

### **System info and LAN settings**

- **Confirm system information**
- [LAN settings](#) (Item for administrator)

### **Firmware update**

You can update the firmware of the printer, check the firmware version, or perform settings of a DNS server and a proxy server.

➔ [Firmware update](#)

### **Language selection (Item for administrator)**

This function allows you to change the language on the display.

### **Manual (Online)**

This function displays the *Online Manual*.

# Security

- **Administrator password setting**

- ➔ [Setting Passwords Using Remote UI](#)

- **Operation restrictions**

Restricts the following operations.

- **Job history**

- Restricts to display or print the print job history.

- **Print from USB flash drive**

- Restricts to print data on USB flash drive.

- **SSL/TLS settings**

Perform settings of a certificate for encrypted communication.

**Available TLS settings** enables you to specify the range of the version used for SSL/TLS communication.

- **IEEE802.1X settings**

- **Authentication**

- Enables/Disables IEEE802.1X certificate.

▶▶▶ **Note**

- In the case of using IEEE802.1X certificate, **Security > IEEE802.1X settings > CA certificate**, and register the CA certificate.
- Supported authentication method
  - EAP-TLS (Extensible Authentication Protocol-Transport Level Security)
  - EAP-TTLS (EAP-Tunneled TLS)
  - PEAP (Protected EAP)

- **Weak encryption restriction**

- Selecting **Do not restrict** enables communication using the 3DES or RC4 encryption algorithm.

- **Weak certificate restriction**

- Selecting **Do not restrict** enables certificate authentication using the public key algorithm of RSA (512 bit) or RSA (1024 bit).

- **Key and certificate settings**

- Perform settings for key and client certificate.

- **CA certificate**

- Perform settings for the CA certificate that verifies a server certificate.

## LAN settings

---

- **Wi-Fi**

Enables/Disables Wi-Fi.

- **Wireless Direct**

Enables/Disables Wireless Direct.

- **Wired LAN**

Enables/Disables Wired LAN.

- **Confirm LAN settings**

The LAN setting information is displayed.

- **Advanced setup**

- **Set printer name**

Specifies the printer name. You can use 2 to 15 characters for the name.

**▶▶▶ Note**

- You cannot use the same printer name as that already used for other LAN connected devices.
- You cannot use a hyphen for the initial or last character of the printer name.

- **TCP/IP settings**

Performs IPv4 or IPv6 setting.

- **WSD settings**

Perform settings to use WSD.

- **Bonjour settings**

Perform settings to use Bonjour.

- **LPD print**

Perform settings for printing with LPD.

- **SNMP settings**

Perform settings for using SNMP to manage and control the printer.

- **SNTP settings**

Perform settings for using SNTP to adjust the time on the printer.

- **FTP settings**

Perform settings for printing with FTP.

- **IPP Settings**

Perform settings for printing with IPP.

- **CHMP settings**

Perform settings for communication at the time when printer drivers or applications acquire the information on status, paper, and job log, from the printer.



Selecting **Enable HTTPS redirection** redirects the communication using CHMP to encrypted communication.

### ▶▶▶ Note

- To use CHMP for encrypted communication, you need to register the printer's root certificate to your computer.
  - ➔ [Registering Printer's Root Certificate to Local Computer for SSL Communication](#)
- CHMP is a Canon proprietary protocol.

#### ◦ **Network interface settings**

To connect to a hub that supports STP, select **Enable**.

Selecting **Enable** perform the intermittent data reception when connecting to the network.

#### ◦ **DRX settings**

Selecting **Enable** perform the intermittent data reception when connecting to the network.

#### ◦ **IP filtering**

Allows or denies access for specific IP addresses.

Settings for both IPv4 and IPv6 addresses can be specified.

### ▶▶▶ Important

- If the device address for the administrator has been set to rejection by mistake, initialize the printer's network information, and then perform setup again.

**LAN settings > Wi-Fi/Wireless Direct/Wired LAN > Settings > Advanced setup > Reset LAN settings**

#### ◦ **MAC address filtering settings**

Allows or denies access for specific MAC addresses.

### ▶▶▶ Important

- If the device address for the administrator has been set to rejection by mistake, initialize the printer's network information, and then perform setup again.

**LAN settings > Wi-Fi/Wireless Direct/Wired LAN > Settings > Advanced setup > Reset LAN settings**

#### ◦ **Reset LAN settings**

Initializes the network settings on the printer.

After resetting, perform setup again as necessary.

## Setting Passwords Using Remote UI

Each of passwords for administrator and standard user can be set.

When logging on with password for administrator, all settings can be changed.

When logging on with password for standard user, some of the settings can be changed.

When logging on with password for administrator, you can restrict the function for standard user.

➔ [Setting Administrator Password](#)

➔ [Setting Standard User Password](#)

### ▶▶▶ Note

- Password can be set only when you are logged in administrator mode.

## Setting Administrator Password

Change the administrator password by following the steps below.

### ▶▶▶ Important

- The password is set at the time of purchase. The password is the printer serial number. The printer serial number is printed on the sticker attached on the printer. It consists of 9 alphanumeric characters (four alphabets followed by five numbers).

#### 1. Start up **Remote UI**.

➔ [Start up Remote UI](#)

#### 2. Select **Security**.

#### 3. Select **Administrator password setting**.

#### 4. Select **Change administrator password**.

If an administrator password is not specified, the confirmation message appears. Confirm the message and select **Yes**. When message appears again, confirm it and select **OK**.

#### 5. Select range where administrator password is valid and select **OK**.

##### **Remote UI and other tools**

Entering the administrator password is required to change the setting items using the Remote UI or some software.

##### **Operation panel/Remote UI/other tools**

Entering the administrator password is required to change the setting items using the operation panel of the printer, the Remote UI, or some software.

#### 6. Enter password and select **OK**.

### ▶▶▶ Important

- The following character restrictions apply to the password:

- Set the password by using 4 to 32 characters.
- The allowed characters are single-byte alphanumeric characters, blank space, umlaut characters, and the below characters.  
- ! @ # \$ % ^ & \* \_ ; : , . / ` = + ' " ( ) { } [ ] < > |
- For security reasons, we recommend you use 8 and more alphanumeric characters.

7. When completion message appears, select **OK**.

## Setting Standard User Password

For restricting the function for standard user, enable the standard user mode and set a standard user password by following the steps below.

1. Start up **Remote UI**.

➡ [Start up Remote UI](#)

2. Select **Security**.

3. Select **Standard user mode settings**.

4. When confirmation message appears, select **Yes**.

5. Enter password and select **OK**.

### ▶▶▶ Important

- The following character restrictions apply to the password:
  - Set the password by using 4 to 32 characters.
  - The allowed characters are single-byte alphanumeric characters, blank space, umlaut characters, and the below characters.  
- ! @ # \$ % ^ & \* \_ ; : , . / ` = + ' " ( ) { } [ ] < > |
  - For security reasons, we recommend you use 8 and more alphanumeric characters.

6. When completion message appears, select **OK**.

## Registering Printer's Root Certificate to Web Browser for SSL Communication

If the printer's root certificate has not been registered to the web browser, a message to warn you that the secure connection is not guaranteed may appear.

When you display Remote UI for the first time on your smartphone, tablet, or computer, download the root certificate, and then register it to the web browser. The secure connection will be confirmed and a message will not appear. However, the message may appear depending on a web browser even after you have registered the root certificate.

How to register the root certificate varies depending on the web browser.

- ➔ [For Microsoft Edge](#)
- ➔ [For Safari](#)
- ➔ [For Chrome on Android](#)
- ➔ [For Mobile Safari on iOS](#)

Operating procedure may differ depending on the version of your web browser. For other web browser, refer to each help.

### ▶▶▶ Important

- Make sure that you have accessed to the printer IP address correctly by checking the URL field of the web browser before registering the root certificate.
- If the printer is connected via IPv6 using Windows, you need to generate a server certificate using Remote UI.

For details, see [Generating Server Certificate](#).

### For Microsoft Edge

1. Select **For secure communication** on Remote UI.

2. Select **Download**.

Downloading the root certificate is started.

3. If confirmation screen appears, select **Open**.

**Certificate** screen is displayed.

#### ▶▶▶ Note


- To save the certificate file and register it, select **Save**. To register, select **Control Panel > Network and Internet > Internet Options**, and register the root certificate from **Certificates on Content** sheet.

4. Select **Install Certificate**.

**Certificate Import Wizard** screen is displayed.

5. Select **Next**.
6. Select **Place all certificates in the following store**.
7. Select **Browse**.  
Select **Certificate Store** screen is displayed.
8. Select **Trusted Root Certification Authorities** and **OK**.
9. Select **Next** on **Certificate Import Wizard** screen.
10. If **Completing the Certificate Import Wizard** appears, select **Finish**.  
**Security Warning** screen is displayed.
11. Make sure that thumbprint on **Security Warning** screen matches printer's thumbprint.  
To display the printer's root certificate thumbprint in **Root cert. thumbprint (SHA-1)** or **Root cert. thumbprint (SHA-256)**, tap **Printer information** > **System information** on HOME screen of the operation panel.
12. If thumbprint on **Security Warning** screen matches printer's thumbprint, select **Yes**.
13. Select **OK** on **Certificate Import Wizard** screen.  
The root certificate registration is completed.

## For Safari

1. Select **For secure communication** on Remote UI.
  2. Select **Download**.  
Downloading the root certificate is started.
  3. Open the downloaded file.  
Keychain access starts up and **Add Certificates** screen is displayed.
  4. Select **Add**.  
Information on the certificate is displayed.
-  **Note**
- You can also add the certificate by selecting **Show Certificate**, checking certificate name to add, and then selecting the same certificate on Keychain access.
5. Make sure that fingerprint of certificate detail information matches printer's thumbprint.

To display the printer's root certificate thumbprint in **Root cert. thumbprint (SHA-1)** or **Root cert. thumbprint (SHA-256)**, tap **Printer information** > **System information** on HOME screen of the operation panel.

6. If fingerprint of certificate detail information matches printer's thumbprint, display information on certificate from the menu or by double-clicking the certificate, and select **Always Trust** on **Trust**.

The root certificate registration is completed.

#### ▶▶▶ Note

- If a password is set on your device, entering a password may be required.

## For Chrome on Android

1. Select **For secure communication** on Remote UI.
2. Select **Download**.

Downloading the root certificate is started and then **Name the certificate** screen is displayed.

3. As entering the root certificate name is required, enter an arbitrary certificate name and select **OK**.

The root certificate registration is completed.

#### ▶▶▶ Note

- If PIN or password is not set as security type, the attention screen may appear. Select **OK**, and then set the security type to PIN or password.

## After Root Certificate Registration

We recommend that you make sure that the correct root certificate has been registered.

To make sure that the correct root certificate has been registered, make sure that thumbprint of certificate information matches printer's thumbprint. Follow the steps below.

#### ▶▶▶ Note

- Some Android devices cannot be checked the thumbprint of a registered route certificate.

1. From **Settings** menu on your device, select **Security, Trust credentials**, and **USER**.

The list of downloaded certificates appears.

2. Select downloaded certificate.

The certificate information appears.

3. Make sure that thumbprint of certificate information matches printer's thumbprint.

To display the printer's root certificate thumbprint in **Root cert. thumbprint (SHA-1)** or **Root cert. thumbprint (SHA-256)**, tap **Printer information > System information** on HOME screen of the operation panel.

4. If thumbprint of certificate information screen matches printer's thumbprint, select **OK**.

The root certificate registration is completed.

If the message to warn you that the secure connection is not guaranteed appears when you select **Log in** on Remote UI after registering the root certificate, restart the web browser. The message will not appear on the web browser.

#### ▶▶▶ Note

- Depending on the Android device, a warning may appear even after registering the proper root certificate.

## For Mobile Safari on iOS

1. Select **For secure communication** on Remote UI.

2. Select **Download**.

Downloading the root certificate is started and then **Install Profile** screen is displayed.

3. Select **Install**.

**Warning** screen is displayed.

#### ▶▶▶ Note

- If a password is set on your device, entering a password may be required.

4. Select **Install**.

5. Select **Install** on displayed dialog.

The root certificate registration is completed.

# Registering Printer's Root Certificate to Local Computer for SSL Communication

To use Device Management Console or Accounting Manager, etc. when you connect the printer to a computer using SSL encrypted communication, you need to register (import) the printer's root certificate to your computer.

Procedure to register the certificate varies depending on your operation environment.

## ▶▶▶ Important

- If the printer is connected via IPv6 using Windows, you need to generate a server certificate using Remote UI.

For details, see [Generating Server Certificate](#).

➔ [For Windows 10/Windows 8.1](#)

➔ [For Windows 7](#)

➔ [For macOS](#)

Operation procedure may differ depending on your OS version.

## For Windows 10/Windows 8.1

The procedure below describes how to import a root certificate in Windows 10/Windows 8.1.

### 1. Start up Remote UI.

➔ [Start up Remote UI](#)

### 2. Select **For secure communication**.

#### ▶▶▶ Note

- You can download a certificate from Status Monitor.

#### 1. Open status monitor.

Open the **Printing preferences**, and select **Status Monitor...** on **Main**.

#### 2. Download a certificate.

Select **Download Security Certificate** from the **Remote UI** menu.

### 3. Select **Download**.

The root certificate will be downloaded.

### 4. When download confirmation screen is displayed, select **Open**.

The **Certificate** screen appears.

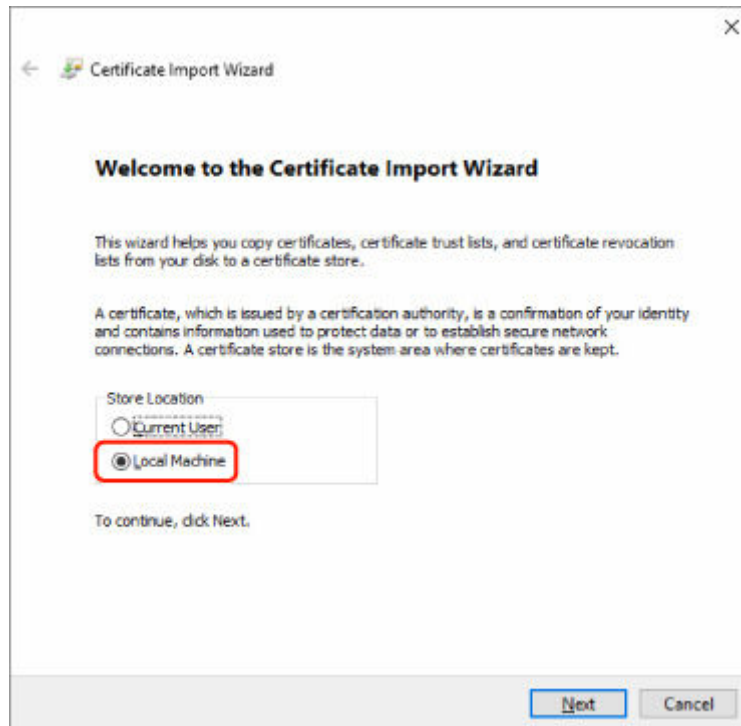
### 5. Select **Install Certificate**.



The **Certificate Import Wizard** screen appears.

## 6. Select **Local Machine**.

1. Select **Local Machine** on the startup screen of **Certificate Import Wizard**.



2. Select **Next**.
3. Select **Yes** on the displayed screen.

The **Certificate Store** screen appears.

## 7. Select **Place all certificates in the following store**.

## 8. Select **Trusted Root Certificate Authorities**.

1. Select **Browse** to open the **Select Certificate Store** screen.
2. Select **Trusted Root Certificate Authorities** from the list and select **OK**.
3. Select **Next** on the **Certificate Store** screen.

## 9. Select **Finish**.

When the **Completing the Certificate Import Wizard** screen appears, check the settings and select **Finish**.

## **For Windows 7**

The procedure below describes how to import a root certificate in Windows 7.

## »» Important

- Be sure to create a certificate snap-in before importing a root certificate.

The root certificate will be registered to the local user if you import it without creating a certificate snap-in.

### Creating Certificate Snap-in

1. Start up Microsoft Management Console.

Enter **MMC** on **Search programs and files** in the **Start** menu and press the Enter key.

2. Select **Yes** on displayed screen.

3. Select **Add/Remove Snap-in** from **File** menu.

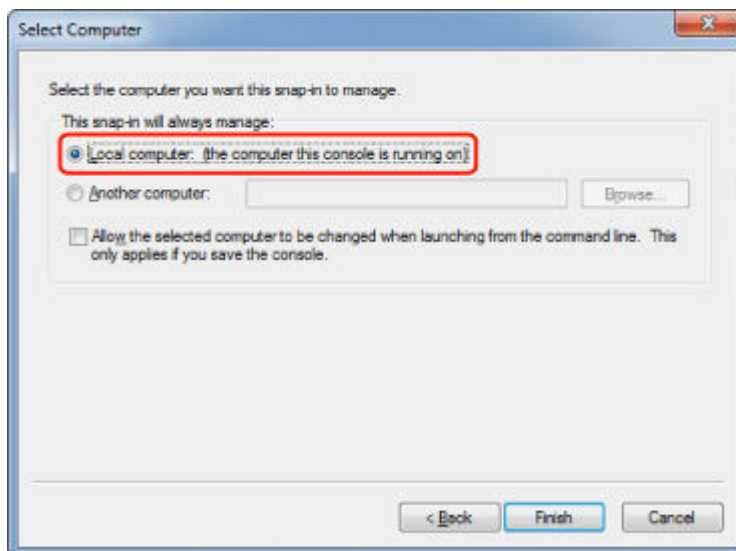
The **Add or Remove Snap-ins** screen appears.

4. Add **Certificate** snap-in.

1. Select **Certificates** from **Available snap-ins** list and select **Add**.

2. Select **Computer account** for **This snap-in will always manage certificates for** on the **Certificates snap-in** screen and select **Next**.

3. Select **Local computer** on the **Select computer** screen and select **Finish**.



4. Select **OK** on the **Add or Remove Snap-ins** screen.

### Downloading Certificate

1. Start up Remote UI.

➔ [Start up Remote UI](#)

## 2. Select **For secure communication**.

### »» Note

- You can download a certificate from Status Monitor.
  1. Open status monitor.

Open the **Printing preferences**, and select **Status Monitor...** on **Main**.
  2. Download a certificate.

Select **Download Security Certificate** from the **Remote UI** menu.

## 3. Select **Download**.

## 4. Select **Save**.

## Importing Certificate

### 1. Open **Certificate Import Wizard**.

1. On the left window, open **Trusted Root Certificate** from **Certificate** on **Console Root**.
2. Right-click **Certificates** and select **Import** from **All tasks**.

### 2. Specify certificate file to import.

1. Select **Next**.
2. Specify the certificate file to import on **File name** and select **Next**.

### 3. Specify certificate store.

1. Select **Place all certificates in the following store**.
2. Select **Trusted Root Certificate Authorities** for **Certificates Store**.

### 4. Finish certificate import wizard.

1. Select **Next** and check the specified settings.
2. Select **Finish** to finish the wizard.
3. Select **OK** on the displayed screen.

## Checking Imported Certificate

Make sure the imported certificate has been registered to your computer.

## 1. Display certificate list.

On the left window of Microsoft Management Console, select **Console Root > Certificates (Local Computer) > Trusted Root Certificate Authorities** in this order, and Select **Certificates** to display the certificate list.

## 2. Check registered certificate.

Make sure the imported certificate name is displayed on the list.

### »» Note

- Make sure you can see the registered certificate from **Current user** by creating the **Current user** snap-in.

### »» Note

- When you finish Microsoft Management Console, a message asking you whether to save the console setting. If you continue to apply the same settings next, select **Yes** to save.

## For macOS

The procedure below describes how to import a root certificate in macOS.

## 1. Start up Remote UI.

➔ [Start up Remote UI](#)

## 2. Select **For secure communication**.

## 3. Select **Download**.


The root certificate will be downloaded.

## 4. Open downloaded certificate file.

When the download procedure is completed, a downloaded item pops up on the right of the screen.

Double-click the downloaded certificate on the list starts up **Keychain Access** and the **Add Certificates** screen appears.

### »» Note

- If the downloaded item does not pop up, select the **Show Downloads**  button on the right.
- Selecting the magnifying glass icon on the right of download list displays the folder containing the certificate.

## 5. Select **Add**.

Select the destination for the certificate on **Keychain**.

Selecting **Add** displays information on the certificate.

## ▶▶ Note

- You can add the certificate by selecting the same certificate on **Keychain Access**. Check the name of certification to add after selecting **View Certificates**.

### 6. Check certificate.

Make sure the fingerprint of certificate shown on **Details** corresponds with the root certificate thumbprint of the printer.

To display the printer's root certificate thumbprint in **Root cert. thumbprint (SHA-1)** or **Root cert. thumbprint (SHA-256)**, tap **Printer information** > **System information** on HOME screen of the operation panel.

### 7. Select **Always Trust**.

If the fingerprint of certificate detail information matches printer's thumbprint, display information on certificate from the menu or by double-clicking the certificate, and select **Always Trust** on **Trust**.

The root certificate has been registered.

## ▶▶ Note

- Entering the password may be required if you specify it for your printer.

## Generating Server Certificate

When you use SSL connection via IPv6 network, you need to generate an IPv6 server certificate using the printer.

Generate the server certificate from Remote UI.

Follow the procedure below.


1. [Checking Printer's IP Address](#)
2. [Generating Server Certificate](#)
3. [Checking Generated Server Certificate](#)

### »» Important

- To reset the server certificate, tap in the following order from the operation panel.

**LAN settings > Wi-Fi / Wireless Direct / Wired LAN > Settings > Advanced > Reset SSL certificates > Yes**

## Checking Printer's IP Address

1. Tap  **LAN settings** on HOME screen.  
➔ [Home Screen Menu Composition](#)
2. Tap the enabled LAN.  
Diagonal lines are displayed for disabled LAN icons.
3. Check the value on **IPv6 link-local address**.  
Write down the value on **IPv6 link-local address** for your reference when you generate a server certificate.

## Generating Server Certificate

1. Start up Remote UI.  
➔ [Start up Remote UI](#)
2. Select **Security**.
3. Select **SSL/TLS settings**.
4. Select **Generate key and certificate**.
5. Select **Generate self-signed cert**.

## 6. Specify each setting item.

- **Signature algorithm**

Select **SHA256**.

- **Public key length (bits)**

Select **2048 bits**.

- Specify the expiration date.

Enter the date you generated the server certificate on **Valid from**.

Enter the date the server certificate expires on **Valid to**.

- Enter the common name.

On **Common name**, enter the **IPv6 link-local address** you checked in abbreviated form.

### ▶▶▶ Note

- When you enter the common name, add [ ] to each end of the abbreviation value of the printer's IPv6 address.
- Do not use a comma or make a space for the common name.

## 7. Select **Next**.

You need not enter anything on **Country**, **State or province**, **Locality**, **Organization**, or **Organizational unit**.

## 8. Select **Generate**.

The server certificate starts to be generated.

When the server certificate has been generated, **Generated a self-signed certificate** appears.

## 9. Select **Restart LAN**.

LAN will be restarted.

When LAN has been restarted, **Printer status** on Remote UI appears.

### ▶▶▶ Note

- If you cannot access to Remote UI after you restart LAN, reload your web browser.

## Checking Generated Server Certificate

### 1. Select **Security** on Remote UI.

### 2. Select **SSL/TLS settings**.

### 3. Select **Check key and certificate**.

Make sure the issuer of the root certificate is displayed on **Issued by**, and the value you entered is displayed on **Common name** on **Subject**.

## Setting Mail Server

To use mail function, specify the mail server settings.

\*This function may not be available depending on the country or region of purchase.

### ▶▶▶ Note

- If you did not specify the time zone setting using the printer's operation panel, a message to inform you that the correct time may not be reflected on the sent e-mail appears. We recommended that you set the time zone setting using the printer's operation panel.

For the time zone setting, see [Other printer settings](#).

- These functions can be set only when you are logged in administrator mode.

#### 1. Start up Remote UI.

➔ [Start up Remote UI](#)

#### 2. Select **Printer settings**.

#### 3. Select **Set mail server**.

The setting items for mail server appear.

#### 4. Specify mail server settings.

Specify the following items.

##### **Sender address**

Enter the e-mail address of the sender (this printer).

##### **Outgoing mail server (SMTP)**

Enter the address of your SMTP server.

##### **Port number (SMTP)**

Enter the port number of your SMTP server.

##### **Secure connection (SSL)**

Select if you use the secure connection (SSL).

##### **Don't verify certificates**

Select if you do not verify the certificate.

##### **Authentication**

Select one of the following authentication methods.

##### **SMTP authentication**

Select if you send e-mail with SMTP authentication.

Then select **OK**, and then make the following settings.

##### **Outgoing account**

Enter the account name for sending to perform the authentication.



**Outgoing password**

To set / change the password for sending in order to perform the authentication, check the **Set/change password** and then enter the password.

**POP before SMTP**

Select if you send e-mail with POP before SMTP authentication.

Then select **OK**, and then make the following settings.

**Incoming mail server (POP3)**

Enter the address of your POP3 server.

**Port number (POP3)**

Enter the port number of your POP3 server.

**Incoming account**

Enter the account name for receiving to perform the authentication.

**Incoming password**

To set / change the password for receiving in order to perform the authentication, check the **Set/change password** and then enter the password.

**Use APOP authentication**

Select if you send the password by the encryption transmission.

**Clear mailbox**

Select if you delete the e-mails that remain in the POP3 server.

**»» Important**

- When this setting is enabled, e-mail in the Inbox on the server will have all been removed. If you specify the e-mail address of your everyday, be sure to disable this setting as unread e-mail is not deleted. We recommended that you prepare this printer dedicated e-mail account not to accidentally delete the unread e-mail.

**5. Select OK.**

The setting operation is completed.

## Receiving Printer Status by E-mail

You receive the printer status information such as the remaining ink level and the error from the printer.

\*This function may not be available depending on the country or region of purchase.

### ▶▶▶ Note

- Specify the mail server settings in advance.
  - ➔ [Setting Mail Server](#)
- If you did not specify the date and time setting using the printer's operation panel, the date and time may not be reflected on the sent e-mail. We recommended that you set the date and time setting using the printer's operation panel.  
For the date and time setting, see [Other printer settings](#).
- These functions can be set only when you are logged in administrator mode.

#### 1. Start up Remote UI.

- ➔ [Start up Remote UI](#)

#### 2. Select **Printer settings**.

#### 3. Select **Status notification email**.

#### 4. Select **Notification recipients**.

#### 5. Specify destination settings.

Up to 5 destinations can be registered by following the steps below.

1. Select number of destination.
2. Select **Add**.
3. Enter e-mail address, and then select printer status to send information.
4. Select **OK**.

The registration for destination is completed.

#### 6. Select **Printer settings > Status notification email > Retry settings**.

#### 7. Specify resending settings.

The number of resending can be specified by following the steps below.

1. Specify number of resending.
2. Specify interval of resending.

**3. Select OK.**

The resending setting is completed.

## Migrating Printer's Setting

Migrates the printer settings to another one of the same model.

This operation is available using Remote UI or USB flash drive.

➔ [Using Remote UI](#)

➔ [Using USB Flash Drive](#)

### ▶▶▶ Note

- The printers must be running the same firmware version. The target data to be migrated is fixed.

## Using Remote UI

### 1. Exporting settings

1. Start up Remote UI.  
➔ [Start up Remote UI](#)
2. Select **Printer settings**.
3. Select **Import/Export printer settings**.
4. Select **Export printer settings**.
5. Enter password and select **OK**.


### 2. Importing settings

1. Start up Remote UI  
➔ [Start up Remote UI](#)
2. Select **Printer settings**.
3. Select **Import/Export printer settings**.
4. Select **Import printer settings**.
5. Select a file to import.
6. Enter password and select **OK**.


## Using USB Flash Drive

### 1. Exporting settings

1. Insert a USB flash drive to USB flash drive port.

2. Tap  **Printer settings** on HOME screen.  
➔ [Home Screen Menu Composition](#)
3. Tap **Import/export settings**.  
If you specify the administrator password, enter the password.
4. Tap **Export**.
5. Enter password and Tap **OK**.
6. Enter password again.

## 2. Importing settings

1. Insert a USB flash drive to USB flash drive port.
2. Tap  **Printer settings** on HOME screen.  
➔ [Home Screen Menu Composition](#)
3. Tap **Import/export settings**.  
If you specify the administrator password, enter the password.
4. Tap **Import**.
5. Enter password and Tap **OK**.

## Initializing Printer's Setting

Initializes the following settings.

- Paper setting information
- Detection priority data of paper
- SSL certificate
- LAN setting
- Administrator password
- Hard drive data
- Job history
- Operation panel lock

This operation is available using the operation panel or Remote UI.

➡ [Using operation panel](#)

➡ [Using Remote UI](#)

### Using operation panel



1. Tap **Printer settings** on HOME screen.

➡ [Home Screen Menu Composition](#)

2. Tap **Initialize printer settings**.

If you specify the administrator password, enter the password.

3. Confirm displayed message and tap **Yes**.

### Using Remote UI

1. Start up Remote UI.

➡ [Start up Remote UI](#)

2. Select **Printer settings**.

3. Select **Initialize printer settings**.

4. Confirm displayed message and select **Yes**.

The Remote UI is disconnected.

## Network Setting

---

### ➤ Network Connection Tips

- Printer Connection Methods
  - Connecting Smartphone/Tablet to Printer via Wireless Router
  - Connecting Smartphone/Tablet to Printer Directly (Wireless Direct)
- Default Network Settings
- Another Printer Found with Same Name
- Connecting to Another Computer via LAN/Changing from USB to LAN Connection
- Printing Network Settings
- Reconfiguration Method of LAN Connection/Reconfiguration Method of Wi-Fi Connection
- Countermeasures against Unauthorized Access
- Network Status and Troubleshooting

### ➤ Checking Printer Connection Status Using IJ Network Device Setup Utility

### ➤ Sharing the Printer on a Network (Windows)

- Setting Up a Shared Printer
- Restrictions on Printer Sharing

### ➤ Sharing the Printer on a Network (macOS)

- Settings on Print Server
- Settings on Client PC
- Restrictions on Printer Sharing

## **Network Connection Tips**

---

- **Printer Connection Methods**
  - Connecting Smartphone/Tablet to Printer via Wireless Router
  - Connecting Smartphone/Tablet to Printer Directly (Wireless Direct)
- **Default Network Settings**
- **Another Printer Found with Same Name**
- **Connecting to Another Computer via LAN/Changing from USB to LAN Connection**
- **Printing Network Settings**
- **Reconfiguration Method of LAN Connection/Reconfiguration Method of Wi-Fi Connection**
- **Countermeasures against Unauthorized Access**
- **Network Status and Troubleshooting**



## Printer Connection Methods

4 connection methods are available on the printer.

### Wi-Fi Connection

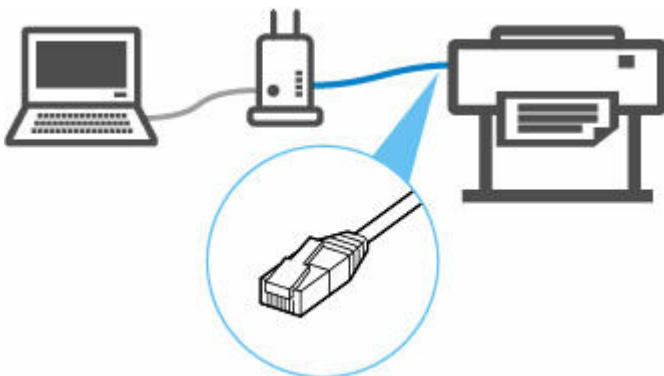
- Using Wi-Fi Router



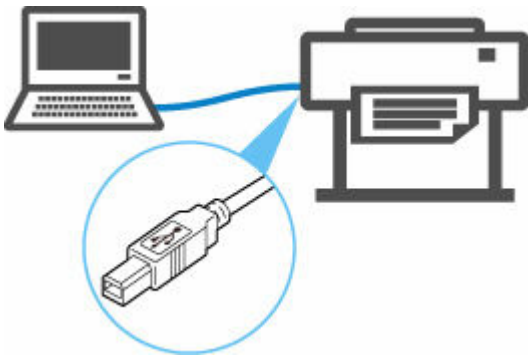
- Without Using Wi-Fi Router (Wireless Direct)



### LAN Connection



### USB Connection



Different types of network connections cannot be used at the same time.

When connecting another device while the devices are already connected to the printer, connect it using the same connection method as the connected device or connect via USB connection.

If you connect using a different connection method, the connection to the devices in use will be disabled.

➔ Restrictions

## Wi-Fi Connection


There are two methods for connecting the printer to your device (e.g. smartphone or tablet). One method is to connect using a wireless router, and the other method is to connect without using a wireless router.

The two connection methods cannot be used at the same time.

If you have a wireless router, we recommend you use the method using a wireless Router.

### • Connection Using a Wireless Router



- Connect the printer and the devices using a wireless router.
- Connection methods vary depending on the wireless router type.
- You can change network settings such as the SSID and security protocol on the printer.
- When the connection between a device and a wireless router is completed and  (Wi-Fi icon) is displayed in the device's screen, you can connect the device to the printer using the wireless router.

➔ [Connecting Smartphone/Tablet to Printer via Wireless Router](#)

### ➤➤ Note

- If you connect using a wireless router, the printer and the device must be connected to the same network.

➔ Advantages of Connecting Printer over Wi-Fi

- **Connection without Using a Wireless Router (Wireless Direct)**

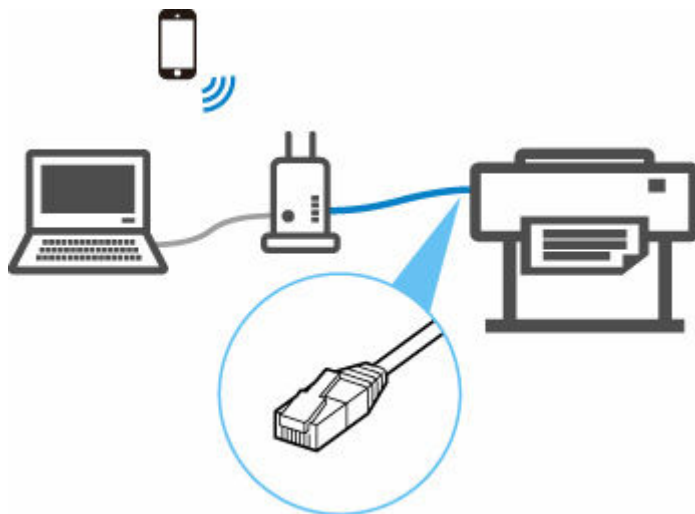


- Connect the printer and a device without using a wireless router. Connect the device and the printer directly using the printer's wireless direct.
- In the wireless direct, you can connect up to five devices at the same time. If you try to connect another device while five devices are already connected, disconnect a device you do not use and configure settings again.
- Network settings such as the SSID and security protocol are specified automatically.

➔ [Connecting Smartphone/Tablet to Printer Directly \(Wireless Direct\)](#)

## LAN Connection

Connect the printer and a computer or a router with an Ethernet cable. If your router supports wireless connection, you can connect the device via wireless connection.



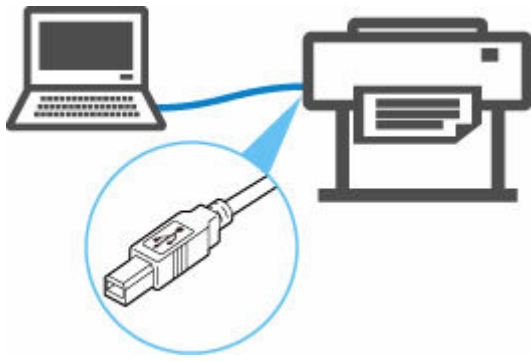
### ➤➤➤ Note

- Devices connected to the router must be connected to the same network.

- ➔ What Is Ethernet Cable?
- ➔ Advantages of Connecting Printer via Wired LAN

## USB Connection

Connect the printer to a computer using a USB cable.



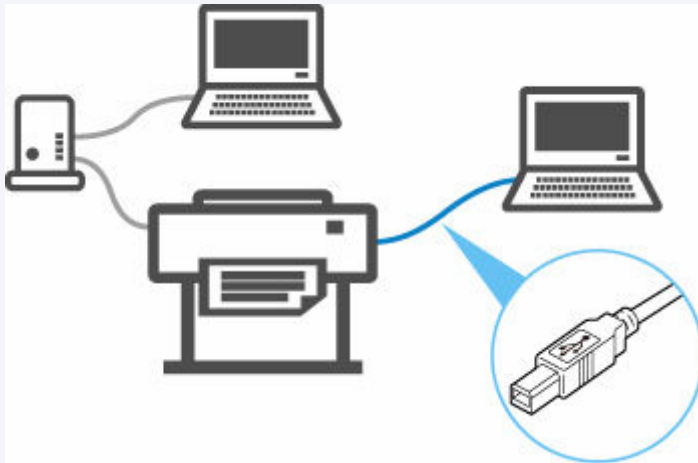
### ➔ What Is USB Cable?

In USB connection, the printer is connected one-on-one to the computer.

If your computer is connected to LAN, you can use the printer with other devices by enabling the sharing setting on your computer.

### ➤➤ Note

- You can connect the printer to a computer via USB even when the printer is already connected to another one via wired LAN.



### ➤➤ Important

- If you connect a device connected to the Internet via a wireless router to the printer that is in the wireless direct, the connection between the device and wireless router will be disabled. In that case, the connection of the device may switch to a mobile data connection automatically depending on your device. Transmission fees for connecting to the Internet using a mobile data connection apply.

## Connecting Smartphone/Tablet to Printer via Wireless Router

You can connect devices (e.g. smartphone, or tablet) to the printer by two methods below.

- Wi-Fi connection (connecting devices via a wireless router)
- Wireless Direct connection (connecting devices without using a wireless router)

This section describes Wi-Fi connection via a wireless router.


Follow the procedure below to connect via a wireless router.

1. [Enable Printer's Wi-Fi connection](#)
2. [Connect Smartphones and Tablets to the Printer](#)

### ▶▶▶ Important

- Check the usage restrictions and change the printer LAN setting.
  - ➔ Restrictions
- The administrator password is required to change settings if it is enabled for changing settings using the operation panel.

## Enable Printer's Wi-Fi connection

1. Flick HOME screen and tap  LAN settings.

➔ [Home Screen Menu Composition](#)

2. Tap **Wi-Fi**.
3. Check **Enable** is displayed in **Connection**.

If **Connection** is displayed as **Disable**, follow the steps below to enable Wi-Fi.

1. Tap **Settings**.
2. Tap **Enable/disable Wi-Fi**.
3. Tap **Enable**.

The printer's Wi-Fi is enabled and you can connect the Wi-Fi you connected previously.

## Connect Smartphones and Tablets to the Printer

- ➔ [For Android device](#)
- ➔ [For iOS device](#)

### For Android device

1. Open "Settings" menu on your device.

2. Enable "Wi-Fi".
3. Select wireless router SSID you use from detected device list.



4. Enter wireless LAN router password.  
Your device is connected to the printer.
5. Start printing from application.

#### For iOS device

1. Open "Settings" menu on your device.
2. Enable "Wi-Fi".
3. Select wireless router SSID you use from detected device list.



4. Enter wireless LAN router password.  
Your device is connected to the printer.
5. Start printing from application.

## Connecting Smartphone/Tablet to Printer Directly (Wireless Direct)

You can connect devices (e.g. smartphone, or tablet) to the printer by two methods below.

- Wi-Fi connection (connecting devices using a wireless router)
- Wireless Direct connection (connecting devices without using a wireless router)

This section describes wireless direct, which allows you to print by connecting the devices to the printer directly.

### ▶▶▶ Important

- Check the usage restrictions and switch the printer to the wireless direct.
  - ➔ Restrictions
- The administrator password is required to change settings if it is enabled for changing settings using the operation panel.
- If a device has already been connected to the printer directly and you want to add a device to connect, connect it to the printer directly. You can connect up to 5 devices to the printer at the same time.


## Connect with Wireless Direct

Change settings below to prepare for wireless direct.

- Printer's LAN settings
  - ➔ [Changing Printer Setting](#)
- Settings of a device to connect
  - ➔ [Connecting Smartphone/Tablet to Printer](#)

### Changing Printer Setting

1. [Make sure printer is turned on.](#)

2. Flick HOME screen and tap  **LAN settings.**

➔ [Home Screen Menu Composition](#)

3. Tap **Wireless Direct.**
4. Tap **Settings.**
5. Tap **Enable/disable Wireless Direct** and tap **Yes.**
6. Confirm displayed message and tap **OK.**

After Wireless Direct is enabled, the identifier (SSID), etc. when using the printer with wireless direct connection are displayed.

By flicking the touch screen, you can check various settings of wireless direct.

## Connecting Smartphone/Tablet to Printer

1. Turn on wireless communication on your device.

Enable "Wi-Fi" on your device's "Setting" menu.

For more on turning on wireless communication, see your device's instruction manual.

2. Select "DIRECT-XXXX-GP-NNNN" ("X" represents alphanumeric characters, NNNN means your printer model name.) from list displayed on device.


### ▶▶▶ Note

- If "DIRECT-XXXX-GP-NNNN" does not appear on the list, wireless direct is not enabled.  
See [Changing Printer Setting](#) to enable wireless direct.

3. Enter password.

Your device is connected to the printer.


### ▶▶▶ Note

- Check the password for the wireless direct.
  1. Flick HOME screen and tap  **LAN settings**.
  2. Tap **Wireless Direct**.
  3. Tap **Show password**.
- Depending on the device you are using, entering the password is required to connect a device to the printer via Wi-Fi connection. Enter the password specified for the printer.
- If your Wi-Fi Direct compatible device is set to prioritize using Wi-Fi Direct and it is connecting to the printer, the printer displays a confirmation screen asking if you allow the device to connect to the printer.  
  
Make sure the name on the touch screen is the same as that of your wireless communication device and tap **Yes**.

## Changing Direct Connection Setting

Change the settings for the wireless direct following the procedure below.

1. [Make sure printer is turned on.](#)

2. Flick HOME screen and tap  **LAN settings**.

➡ [Home Screen Menu Composition](#)



3. Tap **Wireless Direct**.
4. Tap **Settings**.
5. Change settings as necessary.

➤➤➤ **Note**

- Tap **Advanced**, open the detailed settings of the network.  
   ➔ [LAN settings](#)



- To update the identifier (SSID) and the password for wireless direct  
   Tap A to display the confirmation screen. To update the identifier (SSID) and the password, tap **Yes**.  
   To check the security setting and the updated password, tap **Yes** on the screen displayed next.  
   To check the updated password, tap **Show password**.

- To change the printer's name displayed on the Wi-Fi Direct compatible device  
   Tap B to display the printer's name (device name) displayed on a Wi-Fi Direct compatible device.

Follow the procedure below to change the name.

1. Tap touch screen.
2. Enter device name (up to 32 characters).
3. Tap **OK** to finish entering device name.
4. Tap **OK** to finish specifying device name.

- To change the confirmation screen setting when a Wi-Fi Direct compatible device is connecting to the printer

Tap **C** to display the confirmation screen. If you want the printer to display the screen to inform you a Wi-Fi direct compatible device is connecting to the printer, tap **ON**.

### **»» Important**

- To prevent an unauthorized access, we recommend you should not change the setting from the default.

When you finished performing the settings, the printer returns to the **Wireless Direct settings** screen.

### **»» Note**

- If you change the wireless direct setting of the printer, also change the wireless router setting of the device.

## Default Network Settings

### LAN Connection Defaults

Item	Default
Enable/Disable LAN	Wired LAN enabled
Network name (SSID)	BJNPSETUP
Communication mode	Infrastructure
Wi-Fi security	Disable
IP address (IPv4)	DHCP
IP address (IPv6)	Auto setup
Set printer name *1	XXXXXXXXXXXX
Enable/disable IPv6	Enable
Enable/disable WSD	Disable
Timeout settings	15 minutes
Enable/disable Bonjour	Enable
Service name	Canon GP-NNNN *2
LPR protocol settings	Enable
Wi-Fi DRX settings	Enable
Wired LAN DRX settings	Enable

("XX" represents alphanumeric characters.)

\*1 Default value depends on printer. To check value, use operation panel.

➔ [LAN settings](#)

\*2 NNNN means your printer model name.

### Wireless Direct Defaults

Item	Default
Network name (SSID)	DIRECT-abXX-GP-NNNN *1
Password	YYYYYYYYYY *2
Wi-Fi security	WPA2-PSK (AES)
Connection request confirmation	Displayed

\*1 "ab" is specified at random and "XX" represents last two digits of printer's wireless MAC address.  
NNNN means your printer model.

\*2 The password is specified automatically when the printer is turned on for the first time.

## Another Printer Found with Same Name

When the printer is found during setup, other printers with the same name may appear on the results screen.

Select a printer with checking the printer settings against those on detection result screen.

Check the printer's MAC address or serial to select the correct printer from the results.

### ▶▶▶ Note

- Serial number may not appear on result screen.

Check the printer's MAC address and the serial number by one of the following methods.

- Display on the touch screen.
  - MAC address
  - Serial number

Refer to **Printer information > System information**.

- ➔ [LAN settings](#)
- ➔ [Printer information](#)
- Print the network settings.
  - ➔ [Printing Network Settings](#)

## Connecting to Another Computer via LAN/Changing from USB to LAN Connection

---

### For Windows:

To add a computer to connect to the printer on a LAN or to change from USB to LAN connection, perform setup using the Setup CD-ROM or from Setup Guide.

### For macOS:

To connect an additional computer to the printer via LAN, or to change from USB to LAN connection, perform setup from Setup Guide.

## Printing Network Settings

Use the operation panel to print the printer's current network settings.

### ▶▶▶ Important

- The network settings printout contains important information about your network. Handle it with care.

1. [Check that printer is turned on.](#)

2. Load plain paper.

- ➔ [Loading the Upper Roll on the Printer](#)
- ➔ [Loading the Lower Roll on the Roll Unit \(Option\)](#)

If you use sheets, prepare at least 11 sheets (A4 or Letter-sized).

- ➔ [Loading Sheets in the Printer](#)

3. Select **Printer settings** on HOME screen.

4. Select **LAN settings**.

5. Select **Print details**.

6. Select **Yes** on displayed screen.

7. Select **Yes** or **No** on displayed screen.

The printer starts printing network settings information.

### ▶▶▶ Note

- You can also print the printer's network settings. Select **Printer settings > Test print > Print LAN details > Yes > Yes**.

The printed network settings information is as follows: (Some setting values are not displayed depending on the printer settings.)

Item	Description	Setting
LAN Setting	Basic setting information	-
Basic Info	IPv4 setting information (Wired LAN)	-
LAN Interface Mode	Current interface	Wired LAN/Wireless LAN(Infra)/Wireless LAN(AP)/Wireless(Direct connection)/Disabled
Link Active	Operation status	Active/Inactive

Gigabit Ethernet Settings	Communication speed and communication method when using Gigabit Ethernet	Auto/10M half duplex/10M full duplex/100M half duplex/100M full duplex/1G full duplex
IP Address	IPv4 IP address	XXX.XXX.XXX.XXX
Gateway Address	IPv4 default gateway	XXX.XXX.XXX.XXX
Subnet Mask	IPv4 subnet mask	XXX.XXX.XXX.XXX
IP Mode	Acquiring method of IPv4 IP address	Auto IP/DHCP/Manual
Use DNS Auto Mode	Acquiring DNS server automatically	On/Off
Primary DNS Server Address	Primary DNS server address	XXX.XXX.XXX.XXX
Secondary DNS Server Address	Secondary DNS server address	XXX.XXX.XXX.XXX
Control Filtering	SNMP filtering setting information	-
Use IP Filtering	Operation status of IP filtering	On/Off
IP Filtering Select	IP filtering method	Disabled/Enabled
IP Filtering Permission Address	IP filtering permission address	-
Start Address 1	Start address 1	XXX.XXX.XXX.XXX
End Address 1	End address 1	XXX.XXX.XXX.XXX
Use Single On 1	Use single on 1	On/Off
Start Address 2	Start address 2	XXX.XXX.XXX.XXX
End Address 2	End address 2	XXX.XXX.XXX.XXX
Use Single On 2	Use single on 2	On/Off
Start Address 3	Start address 3	XXX.XXX.XXX.XXX
End Address 3	End address 3	XXX.XXX.XXX.XXX
Use Single On 3	Use single on 3	On/Off
Start Address 4	Start address 4	XXX.XXX.XXX.XXX
End Address 4	End address 4	XXX.XXX.XXX.XXX
Use Single On 4	Use single on 4	On/Off
Start Address 5	Start address 5	XXX.XXX.XXX.XXX
End Address 5	End address 5	XXX.XXX.XXX.XXX
Use Single On 5	Use single on 5	On/Off
IP Filtering Prohibit Address	IP filtering prohibit address	-



Start Address 1	Start address 1	XXX.XXX.XXX.XXX
End Address 1	End address 1	XXX.XXX.XXX.XXX
Use Single On 1	Use single on 1	On/Off
Start Address 2	Start address 2	XXX.XXX.XXX.XXX
End Address 2	End address 2	XXX.XXX.XXX.XXX
Use Single On 2	Use single on 2	On/Off
Start Address 3	Start address 3	XXX.XXX.XXX.XXX
End Address 3	End address 3	XXX.XXX.XXX.XXX
Use Single On 3	Use single on 3	On/Off
Start Address 4	Start address 4	XXX.XXX.XXX.XXX
End Address 4	End address 4	XXX.XXX.XXX.XXX
Use Single On 4	Use single on 4	On/Off
LAN Setting	Basic setting information	-
Basic Info	IPv4 setting information (Wired LAN)	-
Control Filtering	SNMP filtering setting information	-
IP Filtering Prohibit Address	IP filtering prohibit address	-
Start Address 5	Start address 5	XXX.XXX.XXX.XXX
End Address 5	End address 5	XXX.XXX.XXX.XXX
Use Single On 5	Use single on 5	On/Off
Print Filtering	Print filtering setting information	-
Use IP Filtering	Operation status of IP filtering	On/Off
IP Filtering Select	IP filtering method	Disabled/Enabled
IP Filtering Permission Address	IP filtering permission address	-
Start Address 1	Start address 1	XXX.XXX.XXX.XXX
End Address 1	End address 1	XXX.XXX.XXX.XXX
Use Single On 1	Use single on 1	On/Off
Start Address 2	Start address 2	XXX.XXX.XXX.XXX
End Address 2	End address 2	XXX.XXX.XXX.XXX
Use Single On 2	Use single on 2	On/Off

Start Address 3	Start address 3	XXX.XXX.XXX.XXX
End Address 3	End address 3	XXX.XXX.XXX.XXX
Use Single On 3	Use single on 3	On/Off
Start Address 4	Start address 4	XXX.XXX.XXX.XXX
End Address 4	End address 4	XXX.XXX.XXX.XXX
Use Single On 4	Use single on 4	On/Off
Start Address 5	Start address 5	XXX.XXX.XXX.XXX
End Address 5	End address 5	XXX.XXX.XXX.XXX
Use Single On 5	Use single on 5	On/Off
IP Filtering Prohibit Address	IP filtering prohibit address	-
Start Address 1	Start address 1	XXX.XXX.XXX.XXX
End Address 1	End address 1	XXX.XXX.XXX.XXX
Use Single On 1	Use single on 1	On/Off
Start Address 2	Start address 2	XXX.XXX.XXX.XXX
End Address 2	End address 2	XXX.XXX.XXX.XXX
Use Single On 2	Use single on 2	On/Off
Start Address 3	Start address 3	XXX.XXX.XXX.XXX
End Address 3	End address 3	XXX.XXX.XXX.XXX
Use Single On 3	Use single on 3	On/Off
Start Address 4	Start address 4	XXX.XXX.XXX.XXX
End Address 4	End address 4	XXX.XXX.XXX.XXX
Use Single On 4	Use single on 4	On/Off
Start Address 5	Start address 5	XXX.XXX.XXX.XXX
End Address 5	End address 5	XXX.XXX.XXX.XXX
Use Single On 5	Use single on 5	On/Off
LAN Setting	Basic setting information	-
IPv6 Info	IPv6 setting information (Wired LAN)	-
Link Local Address	Link local address	-
IP Address	IPv6 IP address	XXXX:XXXX:XXXX:XXXX

		XXXX:XXXX:XXXX:XXXX
Prefix Length	Link local address prefix length	XXX (0 to 128)
Use Manual Mode	Operation status of IPv6 manual address	On/Off
Manual Address	Manual address	-
IP Address	IPv6 IP address	XXXX:XXXX:XXXX:XXXX XXXX:XXXX:XXXX:XXXX
Prefix Length	Prefix length	XXX (0 to 128)
Use Stateful Address Mode	Operation status of stateful address mode	On/Off
Stateful Address	Stateful address	-
IP Address	IPv6 IP address	XXXX:XXXX:XXXX:XXXX XXXX:XXXX:XXXX:XXXX
Prefix Length	Prefix length	XXX (0 to 128)
Stateless Address	Stateless address	-
IP Address 1	IP address 1	XXXX:XXXX:XXXX:XXXX XXXX:XXXX:XXXX:XXXX
Prefix Length 1	Prefix length 1	XXX (0 to 128)
IP Address 2	IP address 2	XXXX:XXXX:XXXX:XXXX XXXX:XXXX:XXXX:XXXX
Prefix Length 2	Prefix length 2	XXX (0 to 128)
IP Address 3	IP address 3	XXXX:XXXX:XXXX:XXXX XXXX:XXXX:XXXX:XXXX
Prefix Length 3	Prefix length 3	XXX (0 to 128)
IP Address 4	IP address 4	XXXX:XXXX:XXXX:XXXX XXXX:XXXX:XXXX:XXXX
Prefix Length 4	Prefix length 4	XXX (0 to 128)
Gateway Address	Gateway address	-
IP Address 1	IP address 1	XXXX:XXXX:XXXX:XXXX XXXX:XXXX:XXXX:XXXX
Prefix Length 1	Prefix length 1	XXX (0 to 128)
IP Address 2	IP address 2	XXXX:XXXX:XXXX:XXXX XXXX:XXXX:XXXX:XXXX

Prefix Length 2	Prefix length 2	XXX (0 to 128)
IP Address 3	IP address 3	XXXX:XXXX:XXXX:XXXX XXXX:XXXX:XXXX:XXXX
Prefix Length 3	Prefix length 3	XXX (0 to 128)
IP Address 4	IP address 4	XXXX:XXXX:XXXX:XXXX XXXX:XXXX:XXXX:XXXX
Prefix Length 4	Prefix length 4	XXX (0 to 128)
Use DNS Auto Mode	Acquiring DNS server automatically	On/Off
Primary DNS Server Address	Primary DNS server address	XXXX:XXXX:XXXX:XXXX XXXX:XXXX:XXXX:XXXX
Secondary DNS Server Address	Secondary DNS server address	XXXX:XXXX:XXXX:XXXX XXXX:XXXX:XXXX:XXXX
Control Filtering	SNMP filtering setting information	-
Use IP Filtering	Operation status of IP filtering	On/Off
IP Filtering Select	IP filtering method	Disabled/Enabled
IPv6 Filtering Permission Info	IPv6 filtering permission information	-
IP Filtering Start Address 1	IP filtering start address 1	XXXX:XXXX:XXXX:XXXX XXXX:XXXX:XXXX:XXXX
IP Filtering End Address 1	IP filtering end address 1	XXXX:XXXX:XXXX:XXXX XXXX:XXXX:XXXX:XXXX
Use Single On 1	Use single on 1	On/Off
LAN Setting	Basic setting information	-
IPv6 Info	IPv6 setting information (Wired LAN)	-
Control Filtering	SNMP filtering setting information	-
IP Filtering Start Address 2	IP filtering start address 2	XXXX:XXXX:XXXX:XXXX XXXX:XXXX:XXXX:XXXX
IP Filtering End Address 2	IP filtering end address 2	XXXX:XXXX:XXXX:XXXX XXXX:XXXX:XXXX:XXXX
Use Single On 2	Use single on 2	On/Off
IP Filtering Start Address 3	IP filtering start address 3	XXXX:XXXX:XXXX:XXXX XXXX:XXXX:XXXX:XXXX

IP Filtering End Address 3	IP filtering end address 3	XXXX:XXXX:XXXX:XXXX XXXX:XXXX:XXXX:XXXX
Use Single On 3	Use single on 3	On/Off
IP Filtering Start Address 4	IP filtering start address 4	XXXX:XXXX:XXXX:XXXX XXXX:XXXX:XXXX:XXXX
IP Filtering End Address 4	IP filtering end address 4	XXXX:XXXX:XXXX:XXXX XXXX:XXXX:XXXX:XXXX
Use Single On 4	Use single on 4	On/Off
IP Filtering Start Address 5	IP filtering start address 5	XXXX:XXXX:XXXX:XXXX XXXX:XXXX:XXXX:XXXX
IP Filtering End Address 5	IP filtering end address 5	XXXX:XXXX:XXXX:XXXX XXXX:XXXX:XXXX:XXXX
Use Single On 5	Use single on 5	On/Off
IPv6 Filtering Prohibit Info	IPv6 Filtering prohibit information	-
IP Filtering Start Address 1	IP filtering start address 1	XXXX:XXXX:XXXX:XXXX XXXX:XXXX:XXXX:XXXX
IP Filtering End Address 1	IP filtering end address 1	XXXX:XXXX:XXXX:XXXX XXXX:XXXX:XXXX:XXXX
Use Single On 1	Use single on 1	On/Off
IP Filtering Start Address 2	IP filtering start address 2	XXXX:XXXX:XXXX:XXXX XXXX:XXXX:XXXX:XXXX
IP Filtering End Address 2	IP filtering end address 2	XXXX:XXXX:XXXX:XXXX XXXX:XXXX:XXXX:XXXX
Use Single On 2	Use single on 2	On/Off
IP Filtering Start Address 3	IP filtering start address 3	XXXX:XXXX:XXXX:XXXX XXXX:XXXX:XXXX:XXXX
IP Filtering End Address 3	IP filtering end address 3	XXXX:XXXX:XXXX:XXXX XXXX:XXXX:XXXX:XXXX
Use Single On 3	Use single on 3	On/Off
IP Filtering Start Address 4	IP filtering start address 4	XXXX:XXXX:XXXX:XXXX XXXX:XXXX:XXXX:XXXX
IP Filtering End Address 4	IP filtering end address 4	XXXX:XXXX:XXXX:XXXX

		XXXX:XXXX:XXXX:XXXX
Use Single On 4	Use single on 4	On/Off
IP Filtering Start Address 5	IP filtering start address 5	XXXX:XXXX:XXXX:XXXX XXXX:XXXX:XXXX:XXXX
IP Filtering End Address 5	IP filtering end address 5	XXXX:XXXX:XXXX:XXXX XXXX:XXXX:XXXX:XXXX
Use Single On 5	Use single on 5	On/Off
Print Filtering	Print filtering setting information	-
Use IP Filtering	Operation status of IP filtering	On/Off
IP Filtering Select	IP filtering method	Disabled/Enabled
IP Filtering Permission Info	IP filtering permission information	-
IP Filtering Start Address 1	IP filtering start address 1	XXXX:XXXX:XXXX:XXXX XXXX:XXXX:XXXX:XXXX
IP Filtering End Address 1	IP filtering end address 1	XXXX:XXXX:XXXX:XXXX XXXX:XXXX:XXXX:XXXX
Use Single On 1	Use single on 1	On/Off
IP Filtering Start Address 2	IP filtering start address 2	XXXX:XXXX:XXXX:XXXX XXXX:XXXX:XXXX:XXXX
IP Filtering End Address 2	IP filtering end address 2	XXXX:XXXX:XXXX:XXXX XXXX:XXXX:XXXX:XXXX
Use Single On 2	Use single on 2	On/Off
LAN Setting	Basic setting information	-
IPv6 Info	IPv6 setting information (Wired LAN)	-
Print Filtering	Print filtering setting information	-
IP Filtering Start Address 3	IP filtering start address 3	XXXX:XXXX:XXXX:XXXX XXXX:XXXX:XXXX:XXXX
IP Filtering End Address 3	IP filtering end address 3	XXXX:XXXX:XXXX:XXXX XXXX:XXXX:XXXX:XXXX
Use Single On 3	Use single on 3	On/Off
IP Filtering Start Address 4	IP filtering start address 4	XXXX:XXXX:XXXX:XXXX XXXX:XXXX:XXXX:XXXX

IP Filtering End Address 4	IP filtering end address 4	XXXX:XXXX:XXXX:XXXX XXXX:XXXX:XXXX:XXXX
Use Single On 4	Use single on 4	On/Off
IP Filtering Start Address 5	IP filtering start address 5	XXXX:XXXX:XXXX:XXXX XXXX:XXXX:XXXX:XXXX
IP Filtering End Address 5	IP filtering end address 5	XXXX:XXXX:XXXX:XXXX XXXX:XXXX:XXXX:XXXX
Use Single On 5	Use single on 5	On/Off
IPv6 Filtering Prohibit Info	IPv6 Filtering prohibit information	-
IP Filtering Start Address 1	IP filtering start address 1	XXXX:XXXX:XXXX:XXXX XXXX:XXXX:XXXX:XXXX
IP Filtering End Address 1	IP filtering end address 1	XXXX:XXXX:XXXX:XXXX XXXX:XXXX:XXXX:XXXX
Use Single On 1	Use single on 1	On/Off
IP Filtering Start Address 2	IP filtering start address 2	XXXX:XXXX:XXXX:XXXX XXXX:XXXX:XXXX:XXXX
IP Filtering End Address 2	IP filtering end address 2	XXXX:XXXX:XXXX:XXXX XXXX:XXXX:XXXX:XXXX
Use Single On 2	Use single on 2	On/Off
IP Filtering Start Address 3	IP filtering start address 3	XXXX:XXXX:XXXX:XXXX XXXX:XXXX:XXXX:XXXX
IP Filtering End Address 3	IP filtering end address 3	XXXX:XXXX:XXXX:XXXX XXXX:XXXX:XXXX:XXXX
Use Single On 3	Use single on 3	On/Off
IP Filtering Start Address 4	IP filtering start address 4	XXXX:XXXX:XXXX:XXXX XXXX:XXXX:XXXX:XXXX
IP Filtering End Address 4	IP filtering end address 4	XXXX:XXXX:XXXX:XXXX XXXX:XXXX:XXXX:XXXX
Use Single On 4	Use single on 4	On/Off
IP Filtering Start Address 5	IP filtering start address 5	XXXX:XXXX:XXXX:XXXX XXXX:XXXX:XXXX:XXXX
IP Filtering End Address 5	IP filtering end address 5	XXXX:XXXX:XXXX:XXXX

		XXXX:XXXX:XXXX:XXXX
Use Single On 5	Use single on 5	On/Off
MAC Info	MAC address setting information (Wired/Wi-Fi)	-
MAC Address(Wired)	MAC address (Wired LAN)	XX:XX:XX:XX:XX:XX
MAC Address(Wireless)	MAC address (Wi-Fi)	XX:XX:XX:XX:XX:XX
Use MAC Address Filtering	Operation status of MAC address filtering	On/Off
MAC Filtering Select	MAC address filtering method	Disabled/Enabled
MAC Filtering Permission Info	MAC filtering permission information	-
MAC Address 1	MAC address 1	XX:XX:XX:XX:XX:XX
MAC Address 2	MAC address 2	XX:XX:XX:XX:XX:XX
MAC Address 3	MAC address 3	XX:XX:XX:XX:XX:XX
MAC Address 4	MAC address 4	XX:XX:XX:XX:XX:XX
MAC Address 5	MAC address 5	XX:XX:XX:XX:XX:XX
LAN Setting	Basic setting information	-
MAC Info	MAC address setting information (Wired/Wi-Fi)	-
MAC Filtering Prohibit Info	MAC filtering prohibit information	-
MAC Address 1	MAC address 1	XX:XX:XX:XX:XX:XX
MAC Address 2	MAC address 2	XX:XX:XX:XX:XX:XX
MAC Address 3	MAC address 3	XX:XX:XX:XX:XX:XX
MAC Address 4	MAC address 4	XX:XX:XX:XX:XX:XX
MAC Address 5	MAC address 5	XX:XX:XX:XX:XX:XX
Proxy Setting	Proxy server setting information	-
Use Proxy	Use proxy server	On/Off
Proxy Server Address	Proxy server address	XXXXXXXXXXXXXXXXXXXX (up to 128 characters)
Proxy Port Number	Proxy port specification	1 to 65535
Use User Authority Mode	Use user authority mode	On/Off
Proxy Server User Name	Proxy server user name	XXXXXXXXXXXXXXXXXXXX (up to 64 characters)



Wireless LAN Setting	Wi-Fi setting information	-
Channel	Channel (infrastructure)	XXX (0 to 255)
SSID	SSID	Wi-Fi (infrastructure) SSID (up to 32 characters)
Security Type	Security type for Wi-Fi (infrastructure)	Disabled/WEP 64bit/WEP 128bit/WPA PSK TKIP/WPA PSK AES/WPA2 PSK TKIP/WPA2 PSK AES/MIXED
WEP1	WEP key 1 for Wi-Fi (infrastructure)	XXXXXXXX (up to 32 characters)
WEP2	WEP key 2 for Wi-Fi (infrastructure)	XXXXXXXX (up to 32 characters)
WEP3	WEP key 3 for Wi-Fi (infrastructure)	XXXXXXXX (up to 32 characters)
WEP4	WEP key 4 for Wi-Fi (infrastructure)	XXXXXXXX (up to 32 characters)
WEP Certificate	WEP certificate for Wi-Fi (infrastructure)	Open/Shared/Auto
WEP Format	WEP format for Wi-Fi (infrastructure)	Hex/String
Direct Connection Setting	Wireless direct setting information	-
Device Name	Wireless direct device name	Wireless direct device name (up to 32 characters)
Channel	Channel (Wireless direct)	XXX (0 to 255)
SSID	SSID	Wireless direct network (SSID)(up to 32 characters)
Security Type	Security type for Wi-Fi (Wireless direct)	Disabled/WPA2 PSK TKIP/WPA2 PSK AES
WSD Setting	WSD setting information	-
Use WSD	Use WSD	On/Off
WSD Timeout	Timeout	1/5/10/15/20 [min]
Use WSD Rx Optimization	Use WSD reception optimization	On/Off
Protocol Setting	Protocol setting information	-
Printer Name	Printer name	XXXXXXXX (up to 16 characters)
Use LPR	Use LPR	On/Off
Use Wired DRX	Discontinuous reception (Wired LAN)	On/Off
Use Wireless DRX	Discontinuous reception (Wi-Fi)	On/Off
Use RAW	Use RAW	On/Off
Use LLNMR	Use LLNMR	On/Off

Use Spanning Tree	Use spanning tree	On/Off
Use Dedicated Port	Dedicated port setting	On/Off
SNMP Setting	SNMP setting information	-
Use SNMPv1	Use SNMPv1	On/Off
Use SNMPv3	Use SNMPv3	On/Off
SNMP Community Name1	SNMPv1 community name 1	XXXXXXXX (up to 32 characters)
SNMP Community Name2	SNMPv1 community name 2	XXXXXXXX (up to 32 characters)
SNMP Extra Access Authority	SNMPv1 extra access authority	Disable/Read Only/Read Write
SNMP Access Authority1	SNMPv1 community1/2 access authority	Disable/Read Only/Read Write
SNMP Access Authority2	SNMPv1 community1/2 access authority	Disable/Read Only/Read Write
SNMPv3 Setting	SNMPv3 setting information	-
User1	User 1	-
User Name	User name	XXXXXXXX (up to 32 characters)
Use SNMPv3	Use SNMPv3	On/Off
MIB Access Restriction	MIB access restriction	Disable/Read Only/Read Write
Security Setting	Security setting	No Auth No Priv/Auth No Priv/Auto Priv
Authority Algorithm	Authority algorithm	Null/MD5/SHA1
Encryption Algorithm	Encryption algorithm	Null/AES/DES
User2	User 2	-
User Name	User name	XXXXXXXX (up to 32 characters)
Use SNMPv3	Use SNMPv3	On/Off
MIB Access Restriction	MIB access restriction	Disable/Read Only/Read Write
Security Setting	Security setting	No Auth No Priv/Auth No Priv/Auto Priv
Authority Algorithm	Authority algorithm	Null/MD5/SHA1
Encryption Algorithm	Encryption algorithm	Null/AES/DES
User3	User 3	-
User Name	User name	XXXXXXXX (up to 32 characters)
Use SNMPv3	Use SNMPv3	On/Off
MIB Access Restriction	MIB access restriction	Disable/Read Only/Read Write

Security Setting	Security setting	No Auth No Priv/Auth No Priv/Auto Priv
Authority Algorithm	Authority algorithm	Null/MD5/SHA1
Encryption Algorithm	Encryption algorithm	Null/AES/DES
User4	User 4	-
User Name	User name	XXXXXXXX (up to 32 characters)
Use SNMPv3	Use SNMPv3	On/Off
MIB Access Restriction	MIB access restriction	Disable/Read Only/Read Write
Security Setting	Security setting	No Auth No Priv/Auth No Priv/Auto Priv
Authority Algorithm	Authority algorithm	Null/MD5/SHA1
Encryption Algorithm	Encryption algorithm	Null/AES/DES
User5	User 5	-
User Name	User name	XXXXXXXX (up to 32 characters)
Use SNMPv3	Use SNMPv3	On/Off
MIB Access Restriction	MIB access restriction	Disable/Read Only/Read Write
Security Setting	Security setting	No Auth No Priv/Auth No Priv/Auto Priv
Authority Algorithm	Authority algorithm	Null/MD5/SHA1
Encryption Algorithm	Encryption algorithm	Null/AES/DES
Dynamic DNS Setting	Dynamic DNS setting	-
IPv4	IPv4	-
Use Dynamic DNS	Operation status of Dynamic DNS	On/Off
Host Name	Host name	XXXXXXXX (up to 64 characters)
Domain Name	Domain name	XXXXXXXX (up to 254 characters)
IPv6	IPv6	-
Use Manual Address	DNS dynamic setting of manual address	On/Off
Use Stateless Address	DNS dynamic setting of stateless address	On/Off
Use Stateful Address	DNS dynamic setting of stateful address	On/Off
Use Name As IPv4	Use same host name/domain name as that used for IPv4	On/Off
Host Name	Host name	XXXXXXXX (up to 64 characters)
Domain Name	Domain name	XXXXXXXX (up to 254 characters)

SNTP Setting	SNTP setting information	-
Use SNTP	Use SNTP	On/Off
SNTP Polling Interval	SNTP polling interval	1 to 48 [hrs]
SNTP Server Name	SNTP server name	XXXXXXXX (up to 256 characters)
FTP Setting	FTP setting information	-
Use FTP	Use FTP	On/Off
Use FTP Authority	Use FTP authority	On/Off
FTP User Name	FTP user name	XXXXXXXX (up to 33 characters)
Bonjour Setting	Bonjour setting information	-
Use Bonjour	Use Bonjour	On/Off
Bonjour Service Name	Bonjour service name	Bonjour service name (Up to 49 alphanumeric characters)
DHCP option settings	DHCP option settings	-
IPv4	IPv4	-
Acquire host name	Acquire host name	On/Off
DNS dynamic update	DNS dynamic update	On/Off
Acquire Domain Name	Acquire Domain Name	On/Off
IPv6	IPv6	-
Acquire host name	Acquire host name	On/Off
DNS dynamic update	DNS dynamic update	On/Off
Acquire Domain Name	Acquire Domain Name	On/Off
802.1X Setting	802.1X setting information	-
Authority Type	Enable/disable 802.1X and authority type	Do not use/EAP-TLS/EAP-TTLS/PEAP
EAP TTLS Type	Internal authority type for EAP-TTLS	MSCHAPv2/PAP
Weak Encryption Restriction	Weak encryption restriction	Do not restrict/Restrict
Weak Certificate Restriction	Weak certificate restriction	Do not restrict/Restrict
Login Name	Login name	XXXXXXXX (up to 97 characters)
User Name	User name	XXXXXXXX (up to 97 characters)
Server Name	Server name	XXXXXXXX (up to 43 characters)

Verify Authentication Server Name	Verify Authentication Server Name	On/Off
Verify Authentication Server Certificate	Verify Authentication Server Certificate	On/Off
IPsec Setting	IPsec setting information	-
Use IPsec	Use IPsec	On/Off
Phase2 Protocol	IPsec phase2 protocol	AH/ESP/AH & ESP
IPP Setting	IPP confirmation setting	-
Enable/disable IPP	Enable/disable IPP	Enable/Disable
Secure print	Secure print	Enable/Disable
Use IPP Authority	Use IPP authority	On/Off
IPP User Setting	IPP confirmation user setting	-
User1	User 1	-
User Name	User name	XXXXXXXX (up to 32 characters)
User2	User 2	-
User Name	User name	XXXXXXXX (up to 32 characters)
User3	User 3	-
User Name	User name	XXXXXXXX (up to 32 characters)
User4	User 4	-
User Name	User name	XXXXXXXX (up to 32 characters)
User5	User 5	-
User Name	User name	XXXXXXXX (up to 32 characters)
User6	User 6	-
User Name	User name	XXXXXXXX (up to 32 characters)
User7	User 7	-
User Name	User name	XXXXXXXX (up to 32 characters)
User8	User 8	-
User Name	User name	XXXXXXXX (up to 32 characters)
User9	User 9	-
User Name	User name	XXXXXXXX (up to 32 characters)

User10	User 10	-
User Name	User name	XXXXXXXX (up to 32 characters)
Email Setting	E-mail setting information	-
Retry Count	E-mail retry count	0 to 5
Retry Interval	E-mail retry interval	1 to 60 (min)
Use Email Notification	Use E-mail notification	On/Off
Use SSL	Use SSL	On/Off
Use SSL Cert No Check	Use SSL certification	On/Off
Use Mailbox Delete	Use mailbox delete	On/Off
SMTP Server Address	SMTP server address	XXXXXXXX (up to 256 characters)
SMTP Server Port No	SMTP server port number	0 to 65535
SMTP State	SMTP state	Invalid/Authorized/POP before SMTP
From Address	From address	XXXXXXXX (up to 128 characters)
To Address 1	To address 1	XXXXXXXX (up to 128 characters)
Reply Address 1	Reply address 1	XXXXXXXX (up to 128 characters)
Notice Conditions 1	Notice conditions 1	-
Job End	Job end	On/Off
Error Occurred	Error occurred	On/Off
Warning Occurred	Warning occurred	On/Off
Signature 1	Signature 1	XXXXXXXX (up to 128 characters)
To Address 2	To address 2	XXXXXXXX (up to 128 characters)
Reply Address 2	Reply address 2	XXXXXXXX (up to 128 characters)
Notice Conditions 2	Notice conditions 2	-
Job End	Job end	On/Off
Error Occurred	Error occurred	On/Off
Warning Occurred	Warning occurred	On/Off
Signature 2	Signature 2	XXXXXXXX (up to 128 characters)
RUI Setting	Remote UI setting information	-
Use RUI	Use Remote UI	On/Off

("XX" represents alphanumeric characters.)

# Reconfiguration Method of LAN Connection/Reconfiguration Method of Wi-Fi Connection

- ➔ [Changing LAN Connection Method](#)
- ➔ [Changing Wi-Fi Connection Method](#)

## Changing LAN Connection Method

Follow either procedure below to change LAN connection method (wired or wireless).

- **For Windows:**

- Redo setup using the Setup CD-ROM or from Setup Guide.
- Select **Enable** for **Enable/disable Wired LAN** or **Enable/disable Wi-Fi** in the touch screen menu.

After that, perform settings on the **Network Settings** screen on IJ Network Device Setup Utility.

For details, refer to "Performing/Changing Network Settings" > "Performing Network Settings" in IJ Network Device Setup Utility Guide.

➔ [IJ Network Device Setup Utility Guide](#)

- **For macOS:**

Redo setup from Setup Guide.

## Changing Wi-Fi Connection Method

Follow either procedure below to change Wi-Fi connection method (infrastructure or wireless direct).

- **For Windows:**

- Redo setup using the Setup CD-ROM or from Setup Guide.
- Perform settings on the **Network Settings** screen on IJ Network Device Setup Utility.

### ➤➤➤ Important

- Before you perform settings using IJ Network Device Setup Utility, change the printer settings following the procedure below.

1. Select **LAN settings** on HOME screen.

➔ [Home Screen Menu Composition](#)

If you specify the administrator password, enter the password.

2. Select **Wi-Fi**.

3. Select **Settings**.

4. Select **Wi-Fi setup**.



**5. Select **Easy wireless connect**.**

**6. Check message and select **OK**.**

Follow instructions on your smartphone or tablet.

**7. If message saying setup is completed appears, select **OK**.**

• **For macOS:**

Redo setup from Setup Guide.

## Countermeasures against Unauthorized Access

This section describes countermeasures against an unauthorized access to the printer from outside. When you use the printer via a network or you are an administrator, we recommend you read this section before using the printer.

Four countermeasures below can be helpful against an unauthorized access.

- ➔ [Specify a Private IP Address](#)
- ➔ [Restrict Communication Using Firewall or Wi-Fi Router](#)
- ➔ [Specify a Password for the Printer](#)
- ➔ [Apply higher security level for Wi-Fi connection](#)

### ▶▶▶ Note

- As the setting procedure described below is an example, it may be different from that of your printer. For details, refer to your printer's manual.

## Specify a Private IP Address

An IP address is a numeric label assigned to each device on the network. There are two types of IP address. One is used for internet connection ("global IP address"), and the other is used for a local area network such as an inhouse LAN ("private IP address").

If a global IP address is specified for the printer, many and unspecified users on internet can access to the printer. As a result, you will face an increased risk of information leakage caused by an unauthorized access from outside. On the other hand, if a private IP address is specified for the printer, users who can access to the printer are confined to those on a local area network such as an inhouse LAN. Therefore, we recommend you specify a private IP address for the printer.

The range of addresses used as a private IP address is shown below. Make sure whether a private IP address is specified for your printer.

### Range of private IP address

- 10.0.0.0 to 10.255.255.255
- 172.16.0.0 to 172.31.255.255
- 192.168.0.0 to 192.168.255.255

### Procedure to check the IP address

Select **Setup > Device settings > LAN settings** on your printer to select a network connection method and check the IP address. For the procedure to check and specify the IP address, refer to your printer's manual.

### ▶▶▶ Note

- Establishing an environment to protect an access from outside using a firewall can reduce a risk of an unauthorized access even though a global IP address is specified for your printer.

## Restrict Communication Using Firewall or Wi-Fi Router

Firewall is a system which prevents an unauthorized access from an external network user to protect an inhouse network against attack or intrusion.

Firewall enables your network to be protected against an unauthorized access by restricting a communication from the specific external IP address which seems to have a risk.

A home use Wi-Fi router has a similar function. Be careful when you change the settings.

## Specify a Password for the Printer

Even if a malicious third party accesses to your printer by any chance, you can reduce a risk of information leakage drastically by specifying a password to protect various information on your printer.

In addition, though the printer can be protected by specifying a password, it is important to manage the specified password for security. Manage your password referring to the four points below. For details, refer to your printer's manual.

- Be sure to change the default password.
- Change the password periodically.
- Do not use a password easy to guess for a third party.
- Do not tell a third party about the specified password casually.

### ▶▶ Note

- A password is not specified for some printers at the time of purchase. In this case, specify the password for the printer.
- A password cannot be specified for some printers.

### Password management using Remote UI (User Interface)

Remote UI is a software to access to the printer via a network by using a web browser. You can check the printer status or settings on Remote UI, which allows you to perform operations almost the same as those you can on the operation panel of the printer.

Entering the printer's IP address or host name on the web browser displays the portal page of Remote UI.

For the procedure to start up or operations of Remote UI, refer to your printer's manual.

### ▶▶▶ Important

- Do not access to a website while you are using Remote UI on the web browser.  
In addition, be sure to close the web browser when you leave your seat before you finish performing settings, or when you have finished performing settings.

## Apply higher security level for Wi-Fi connection

When you use the printer via Wi-Fi, we recommend you apply a security method with higher security level (e.g. WPA/WPA2).

For more on operations, refer to your printer's manual.

## Network Status and Troubleshooting

Check the network status referring to LAN setting information on the touch screen.

➔ [Printing Network Settings](#)

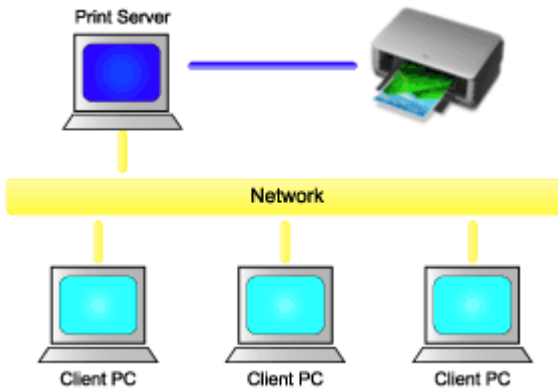
Network Status	What to Do
<p>Connected normally.</p> <p>If you are unable to print, see 1 on What to Do.</p>	<p>1. If you are unable to print, check the items below:</p> <ul style="list-style-type: none"> <li>• whether the computer is connected to Wi-Fi</li> <li>• whether the firewall of your security software is enabled</li> <li>• whether a privacy separator, SSID separator, or Network separation function is enabled on your wireless router</li> </ul> <p>If one of the above is enabled, disable it before setup.</p> <ul style="list-style-type: none"> <li>• whether the network name (SSID) of the printer (see "3-2-6" of network setting information printout) matches that of the router to connect</li> </ul> <p>2. To change the network connection method (wired/wireless), change it on the printer's network setting screen.</p>
<p>Wi-Fi is disabled on the printer.</p>	<p>Perform printer setup following the instructions of the manual.</p>
<p>Wired LAN connection is disabled.</p>	<ul style="list-style-type: none"> <li>• Make sure the printer is connected to the router with the LAN cable.</li> </ul> <p>If the LAN cable is loose, connect the cable properly.</p> <p>If the LAN cable is connected to the WAN side of the router, connect the cable to the LAN side of the router.</p> <ul style="list-style-type: none"> <li>• Make sure the network devices (e.g. hub or router) are turned on.</li> </ul>
<p>IP address is not assigned.</p>	<ul style="list-style-type: none"> <li>• If you specify the printer's IP address automatically, enable DHCP on the router.</li> <li>• If you specify the printer's IP address manually, the address is disabled because it is out of the valid range. You specified (0.0.0.0) as the IP address, for example.</li> </ul> <p>Specify the valid IP address.</p>
<p>The default gateway is not specified.</p>	<p>Check the items below to communicate by hopping routers (e.g. using a cloud application).</p> <ul style="list-style-type: none"> <li>• Make sure the device specified as the default gateway is turned on.</li> <li>• Specify the default gateway address correctly.</li> </ul> <p>To check the default gateway, print out the network settings information.</p> <p><b>▶▶▶ Note</b></p> <ul style="list-style-type: none"> <li>• For some printers, you can check the default gateway on the operation panel.</li> </ul>
<p>Cannot connect to the specified network.</p>	<p>Check the status of the printer, network devices (e.g. wireless router), or smartphone/tablet.</p> <ul style="list-style-type: none"> <li>• If they are turned off, turn them on.</li> <li>• Make sure wireless signal is strong.</li> </ul> <p>Monitor signal status and move the printer and wireless router as necessary.</p> <ul style="list-style-type: none"> <li>• The security key specified for the wireless router may not match that you entered.</li> </ul> <p>The security key is case-sensitive.</p>

	Enter the correct security key.
Make sure wireless signal is strong.	<ul style="list-style-type: none"> <li>• Make sure the printer is not placed too far away from the wireless router.</li> <li>• Monitor signal status and move the printer and wireless router as necessary.</li> </ul>
The number of connected clients reaches the upper limit.	<ul style="list-style-type: none"> <li>• Wireless Direct does not allow more than 5 devices to be connected.</li> </ul> <p>If you add a device to connect, disconnect a device you do not use before adding the device.</p>
The signal to noise ratio (S/N ratio) is low.	<ul style="list-style-type: none"> <li>• There is a lot of noise from other devices.</li> </ul> <p>Move the printer apart from other devices.</p>
A link local address is assigned.	<ul style="list-style-type: none"> <li>• Perform printer setup again.</li> <li>• The security key specified for the wireless router may not match that you entered.</li> </ul> <p>The security key is case-sensitive.</p> <p>Enter the correct security key.</p>
The specified network name (SSID) is left default value.	<p>The network name (SSID) is not specified.</p> <p>Enter the network name (SSID) specified for the destination.</p>

## Sharing the Printer on a Network (macOS)

When multiple computers are being used in the network environment, you can share the printer connected to one computer with the other computers.

Before carrying out the setup for printer sharing, select **Network** from **System Preferences**, and check whether the network settings have been set.



This section describes the procedure for sharing a printer among Mac.

- [Settings on Print Server](#)

This section describes how to set up a computer that connects with this printer.

- [Settings on Client PC](#)

This section describes the procedure for setting a computer that uses this printer through a network. When you execute print, the data is sent to the printer through the print server system.

### Related Topic

- ➔ [Restrictions on Printer Sharing](#)

## Settings on Print Server

---

When you use the printer on a network, set up the printer driver for sharing on the print server system.

The procedure for setting up the print server systems is as follows:

1. [Install the printer driver](#) on the print server system

2. Check that the printer to be used has been added

Open **System Preferences**, and select **Printers & Scanners**.

The printer list displays the printers that are connected to the computer.

3. Set sharing

Check the **Share this printer on the network** check box.

### »» Note

- Depending on the environment you are using, a message prompting you to restart the computer may be displayed. To complete the installation properly, restart the computer.

The setup on the print server system is complete. Next, set up the client systems.

## Settings on Client PC

---

After setting up the print server system, set up the client system.

The procedure for setting up the client systems is as follows:

1. [Install the printer driver](#) on the client systems

2. Display the printer list

Open **System Preferences**, and select **Printers & Scanners**.

Click **+** to display the printer list.

3. Add a printer to be shared

Select a shared printer displayed in the printer list, and then click **Add**.

The setup on the client systems is now completed.

### ▶▶▶ Note

- The print procedures are the same as when the computer is connected directly to the printer with a USB cable.  
At the Page Setup dialog, select the printer that is connected to the print server to be used.



## Restrictions on Printer Sharing

---

These are restrictions that apply when you are using a printer in a network environment.

- Install the same version of the printer driver in the print server system and the client systems. You can download the latest printer driver from our web site.
- Use printer sharing with users who have the administrator privilege.
- Depending on how the computer is connected with the printer, the computer may not be able to access the function information that was set on the printer and display the correct settings.
- Media information on the printer driver cannot be changed when using a client machine.
- When using on the client side, it is not possible to change the roll unit option settings.
- When using on the client side, you cannot configure **Accounting** settings.
- When using on the client side, you cannot use Remote UI.

## Adjustments for Better Print Quality

---

### ➤ Adjusting the Print Head

- Adjusting the Print Head
- Troubleshooting Paper Abrasion and Blurry Images

### ➤ Adjusting Feed Amount

- Adjusting Feed Amount
- Adjusting Vacuum Strength

## **Adjusting the Print Head**

---

- **Adjusting the Print Head**
- **Troubleshooting Paper Abrasion and Blurry Images**

## Adjusting the Print Head

---

If printed documents are affected by the following problems, try adjusting the print head.

- **If printing is faint or affected by banding in different colors**

Execute **Nozzle Check** in the touch screen menu to check for print head nozzle clogging.

➡ [Checking for Nozzle Clogging](#)

- **If printed vertical lines are warped or colors are out of alignment**

Execute **Print Head Alignment** in the touch screen menu to adjust the print head position.

First, execute **Auto (standard)** of **Print Head Alignment**. If the print result is not improved, execute **Auto (advanced)** or **Manual**.

➡ [Automatic Adjustment to Straighten Lines and Colors](#)

➡ [Manual Adjustment to Straighten Lines and Colors](#)

- **If paper rubs against the print head, or image edges are blurred**

Setting **Head height** in the touch screen menu and changing the height of the print head may improve the situation.

➡ [Troubleshooting Paper Abrasion and Blurry Images](#)

## Automatic Adjustment to Straighten Lines and Colors

If printed vertical lines are warped or colors are out of alignment, execute **Print Head Alignment** and adjust the print head position.

Choose from **Auto (standard)** or **Auto (advanced)** for automatically adjusting the print head.

Minor warping and misaligned colors can usually be improved by executing **Auto (standard)**. If there is no improvement, perform **Auto (advanced)** or **Manual**.

➔ [Manual Adjustment to Straighten Lines and Colors](#)

When you execute **Auto (standard)** or **Auto (advanced)**, the adjustment pattern is printed, and the print head position is adjusted based on the printing result automatically.



### Important

- Because the results of adjustment vary depending on the type of paper used for adjustment, use the same type of paper as you will use for printing.
- This function is not available with Tracing Paper, Translucent Matte Film, or Clear Film.

### Note

- After print head replacement, we recommend executing **Print Head Alignment**. When **Print pattern after new head** is set to **ON**, print head position adjustment is automatically executed after print head replacement.
- To change the paper type or for more beautiful color borders, perform **Auto (standard)**.
- To ensure clear quality and when replacing the print head, perform **Auto (advanced)** to fine-tune the position between nozzles and colors. To ensure high-quality printing, we recommend that you execute **Auto (advanced)**.
- If adjustment is not possible as expected using special paper, try another type of paper or try **Manual** adjustment.

➔ [Manual Adjustment to Straighten Lines and Colors](#)

### Paper to Prepare

#### When using rolls

An unused roll at least 10.00 in. (254.0 mm) wide

#### When using sheets

**Auto (standard)**: Three sheets of unused paper, A4/Letter size or larger (or one sheet when using A2 or larger)

**Auto (advanced)**: Five sheets of unused paper, A4/Letter size or larger (or one sheet when using A2 or larger)

Perform adjustment as follows.

**1. Load paper.**

- ➔ [Loading the Upper Roll on the Printer](#)
- ➔ [Loading the Lower Roll on the Roll Unit \(Option\)](#)
- ➔ [Loading Sheets in the Printer](#)

**▶▶▶ Important**

- Always make sure the loaded paper matches the type of paper specified on the printer. Adjustment cannot be completed correctly unless the loaded paper matches the settings.

**2. Tap **Maintenance** on HOME screen.**

- ➔ [Home Screen Menu Composition](#)

The **Maintenance** screen appears.

**3. Tap **Print Head Alignment**.**

**4. Tap **Auto (standard)** or **Auto (advanced)**.**

A confirmation message appears.

**5. Tap **Yes**.**

The paper source setting screen appears.

**6. Tap **Roll paper 1**, **Roll paper 2** or **Manual**.**

A test pattern is printed for adjustment.

**▶▶▶ Note**

- If you are printing on sheets smaller than A2 size, a confirmation message prompting you to continue printing appears on the touch screen. Tap **Yes** and follow the instructions on the touch screen.

## Manual Adjustment to Straighten Lines and Colors

If printed vertical lines are warped or colors are out of alignment, execute **Print Head Alignment** and adjust the print head position.

Normally, execute **Auto (standard)**.

➔ [Automatic Adjustment to Straighten Lines and Colors](#)

However, when printing on special paper or if printing is not improved after **Auto (advanced)**, try **Manual**.

**Manual** adjustment requires you to examine the printed test pattern and enter an adjustment value.



### »»» Important

- Because the results of adjustment vary depending on the type of paper used for adjustment, use the same type of paper as you will use for printing.

#### Paper to Prepare

##### When using rolls

An unused roll at least 10.00 in. (254.0 mm) wide

##### When using sheets

Three sheets of unused paper, A4/Letter size or larger (or one sheet when using A2 or larger)

Perform adjustment as follows.

#### 1. Load paper.

- ➔ [Loading the Upper Roll on the Printer](#)
- ➔ [Loading the Lower Roll on the Roll Unit \(Option\)](#)
- ➔ [Loading Sheets in the Printer](#)

### »»» Important

- Always make sure the loaded paper matches the type of paper specified on the printer. Adjustment cannot be completed correctly unless the loaded paper matches the settings.

#### 2. Tap **Maintenance** on HOME screen.

- ➔ [Home Screen Menu Composition](#)

The **Maintenance** screen appears.

#### 3. Tap **Print Head Alignment**.

#### 4. Tap **Manual**.

A confirmation message appears.

▶▶▶ **Note**

- If you do not execute **Auto (advanced)**, a confirmation message prompting you to execute **Auto (advanced)** appears. In this case, tap **Yes** and execute **Auto (advanced)**.

**5. Tap Yes.**

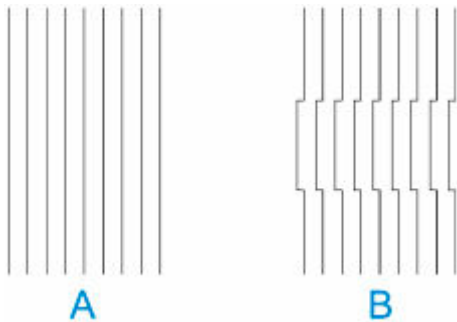
The paper source setting screen appears.

**6. Tap Roll paper 1, Roll paper 2 or Manual.**

A test pattern is printed for adjustment.

**7. Tap D-1.**

**8. Examine adjustment test pattern D-1 and determine the number with straight lines.**



A: Example with straight lines

B: Example with misaligned lines

▶▶▶ **Note**

- If two patterns seem equally good and you cannot decide which one is better, choose an intermediate value. For example, choose 11 if you cannot decide whether pattern 10 or 12 is better.

**9. Repeat steps 7-8 to specify adjustment values for D-2 and other remaining patterns.**

Specify all the items displayed on the touch screen.

**10. Tap OK.**

The adjustment value is now registered, and adjustment is complete.



## Troubleshooting Paper Abrasion and Blurry Images

The print head height setting affects printing quality.

Specifying a low print head height makes images clearer and enhances printing quality but may cause paper to rub against the print head.

On the other hand, specifying a high print head height will prevent paper from rubbing against the print head but may reduce the printing quality.

### Important

- Paper rubbing against or becoming caught on the print head may jam or result in printed documents that are soiled.

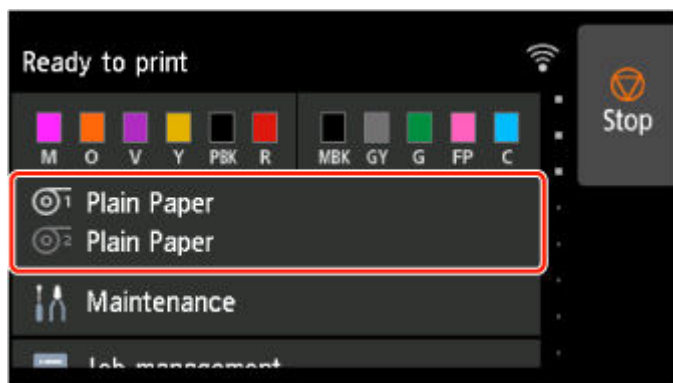
### Note

- Raise or lower print head, depending on nature of the problem.

- ➔ [Paper rubs against the Print Head](#)
- ➔ [The edges of the paper are dirty](#)
- ➔ [Image edges are blurred or white banding occurs](#)

1. Tap paper setting display area on HOME screen.

- ➔ [Home Screen Menu Composition](#)



The **Paper information** screen appears.

2. Select paper source for setting height of print head and tap **Paper settings**.

The **Paper settings** screen appears.

3. Tap **Advanced**.

The **Advanced paper settings** screen appears.

4. Tap **Head height**.

5. Select and tap the setting.

## »» Note

- When set to **Auto**, the printer automatically adjusts the print head height during printing to the level optimal for the ambient temperature and humidity. You can check the setting for the previous print job in **Values applied with auto settings**.
  - ➡ [Printer information](#)
- When the setting other than **Auto** is selected, the setting selected during this procedure is applied.
- Depending on the type of paper, some setting values may not be available.

## **Adjusting Feed Amount**

---

- **Adjusting Feed Amount**
- **Adjusting Vacuum Strength**

## **Adjusting Feed Amount**

---

- **Selecting Feed Amount Adjustment Method**
- **Automatic Banding Adjustment**
- **Manual Banding Adjustment**
- **Fine-Tuning Paper Feed Amount**
- **Adjusting Line Length**

## Selecting Feed Amount Adjustment Method

There are two methods of adjusting the paper feed amount, **Prioritize print quality** and **Prioritize length accuracy**, either of which will be applied during printing.

Since the method that is applied during printing is determined from the value of the **Set priority** setting, configure **Set priority** to match the print target.

Follow the procedure below to perform settings.



1. Tap **Maintenance** on HOME screen.

➔ [Home Screen Menu Composition](#)

2. Tap **Paper feed adjustment**.

3. Tap **Set priority**.

4. Tap paper to adjust.

5. Tap setting.

### Auto

**Prioritize print quality** will be selected when **Print Target** is set from the printer driver.

### Prioritize print quality

Adjusts the feed amount to reduce banding across the sheet in printed documents. **Adjust print quality** settings are applied.

When **Paper feed fine adjustment** is executed, the **Paper feed fine adjustment** settings are applied in addition to the **Adjust print quality** settings.

### Prioritize length accuracy

Adjusts the feed amount for better accuracy of lines in printed documents. The value of **Change adjustment values** in **Adjust feed length** is applied.

6. Tap **OK**.

## Automatic Banding Adjustment

If printed images are affected by banding in different colors across the sheet, execute **Adjust print quality** for automatic adjustment of the paper feed amount.

The printer prints and reads a test pattern for automatic adjustment of the feed amount.

### ▶▶▶ Important

- When using highly transparent media, use manual adjustment.
  - ➔ [Manual Banding Adjustment](#)

### ▶▶▶ Note

- We recommend executing the adjustment if you have changed the paper type or paper size.
- Always check the **Set priority** values.
  - ➔ [Selecting Feed Amount Adjustment Method](#)
- If additional fine-tuning is necessary, execute **Paper feed fine adjustment**.
  - ➔ [Fine-Tuning Paper Feed Amount](#)
- Use **Adjust feed length** to ensure that lines in CAD drawings are printed at exactly the right length.
  - ➔ [Adjusting Line Length](#)
- This may take some time, depending on the type of paper.

### Items to Prepare


#### When Using Rolls

An unused roll at least 254.0 mm (10.00 in) wide

#### When Using Sheets

One sheet of unused paper of at least A4/Letter size

Follow the procedure below to adjust.

1. Load paper.
  - ➔ [Loading the Upper Roll on the Printer](#)
  - ➔ [Loading the Lower Roll on the Roll Unit \(Option\)](#)
  - ➔ [Loading Sheets in the Printer](#)
2. Tap  **Maintenance** on HOME screen.
  - ➔ [Home Screen Menu Composition](#)
3. Tap **Paper feed adjustment**.
4. Tap **Adjust print quality**.
5. Tap **Auto**.

**6.** Tap paper to adjust.

A test pattern is printed for adjustment and adjustment is finished.

# Manual Banding Adjustment

If printed images are affected by banding in different colors, execute **Adjust print quality** for adjustment of the paper feed amount.

Use manual adjustment with highly transparent media.

Manual adjustment requires you to enter an adjustment value after a test pattern is printed.

## ▶▶▶ Note

- We recommend executing the adjustment if you have changed the paper type or paper size.
- Always check the **Set priority** values.
  - ➔ [Selecting Feed Amount Adjustment Method](#)
- If additional fine-tuning is necessary, execute **Paper feed fine adjustment**.
  - ➔ [Fine-Tuning Paper Feed Amount](#)
- Use **Adjust feed length** to ensure that lines in CAD drawings are printed at exactly the right length.
  - ➔ [Adjusting Line Length](#)

## Items to Prepare

### When Using Rolls

An unused roll at least 254.0 mm (10.00 in) wide

### When Using Sheets

Two sheets of unused paper of at least A4/Letter size

Follow the procedure below to adjust.

#### 1. Load paper.

- ➔ [Loading the Upper Roll on the Printer](#)
- ➔ [Loading the Lower Roll on the Roll Unit \(Option\)](#)
- ➔ [Loading Sheets in the Printer](#)

## ▶▶▶ Important

- Always make sure the loaded paper matches the type of paper specified. Adjustment cannot be completed correctly unless the loaded paper matches the settings.

#### 2. Tap **Maintenance** on HOME screen.

- ➔ [Home Screen Menu Composition](#)

#### 3. Tap **Paper feed adjustment**.

#### 4. Tap **Adjust print quality**.

#### 5. Tap **Manual**.



**6.** Tap paper to adjust.

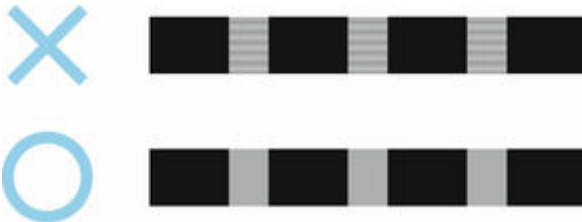
Test pattern A is printed for manual adjustment.

**»» Note**

- When printing on sheets, follow the instructions on the screen and remove the sheet.

**7.** Examine test pattern A for adjustment.

Determine pattern in which banding is least noticeable.



**»» Note**

- If banding seems least noticeable in two patterns but you cannot decide which one is better, choose an intermediate value. For example, choose 11 if you cannot decide whether pattern 10 or 12 is better.

**8.** Tap number you decided.

Test pattern B is printed for manual adjustment.

**»» Note**

- If you printed test pattern A on a sheet, follow the instructions on the screen and use another sheet of the same type of paper. Additionally, after test pattern B is printed, follow the instructions on the screen and remove the sheet.

**9.** Examine test pattern B for adjustment. Determine pattern in which banding is least noticeable.

**10.** Tap number you decided.

The adjustment value is now registered, and adjustment is complete.

## Fine-Tuning Paper Feed Amount

If the contrast is uneven or banding in different colors appears at 30 mm (1.2 in) intervals in printed documents, try executing **Paper feed fine adjustment** during printing to fine-tune the feed amount.

### ▶▶▶ Note

- The **Paper feed fine adjustment** menu is only displayed during printing. Additionally, it is displayed when you have selected **Auto** or **Prioritize print quality** in **Set priority** in **Paper feed adjustment**.
- Always execute **Adjust print quality** before **Paper feed fine adjustment**. Once you execute **Adjust print quality**, the **Paper feed fine adjustment** value will revert to 0.
  - ➔ [Automatic Banding Adjustment](#)
  - ➔ [Manual Banding Adjustment](#)

Follow the procedure below to adjust.

1. Tap  **Maintenance** on HOME screen.

➔ [Home Screen Menu Composition](#)

2. Tap **Paper feed fine adjustment**.

3. Tap value.

At this time, if banding in dark colors appears, select a setting value in the range 1 to 5, and if banding in light colors appears, select a setting value in the range -1 to -5.

## Adjusting Line Length

To ensure that lines in CAD drawings are printed at exactly the right length, use **Adjust feed length** to adjust the amount that paper is advanced.

There are two options in **Adjust feed length** : **Print alignment pattern** and **Change adjustment values**.

### ▶▶▶ Note

- We recommend executing the adjustment if you have changed the paper type or paper size.
- Always check the **Set priority** values before adjustment.

➔ [Selecting Feed Amount Adjustment Method](#)

### Items to Prepare

#### When Using Rolls

- An unused roll at least 254.0 mm (10.00 in) wide
- High-precision ruler

#### When Using Sheets

- One sheet of unused paper of at least A4/Letter size
- High-precision ruler

Follow the procedure below to adjust.

#### 1. Load paper.

- ➔ [Loading the Upper Roll on the Printer](#)
- ➔ [Loading the Lower Roll on the Roll Unit \(Option\)](#)
- ➔ [Loading Sheets in the Printer](#)

### ▶▶▶ Important

- Always make sure the loaded paper matches the type of paper specified.  
Adjustment cannot be completed correctly unless the loaded paper matches the settings.

#### 2. Tap **Maintenance** on HOME screen.

- ➔ [Home Screen Menu Composition](#)

#### 3. Tap **Paper feed adjustment**.

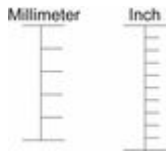
#### 4. Tap **Adjust feed length**.

#### 5. Tap **Print alignment pattern** or **Change adjustment values**.

- If you tap **Print alignment pattern**:

The test pattern is printed for you to measure the scale and calculate the discrepancy.

The scale bar prints "Millimeter" in 50 mm increments and "Inch" in 1-inch increments.



- If you tap **Change adjustment values:**

No test pattern is printed.

Instead, you will measure a document already printed to determine the discrepancy.

## 6. Tap amount of discrepancy.

If the scale is shorter than the actual size, use a positive setting value. If it is longer, use a negative value. The feed amount can be adjusted in 0.02% increments.

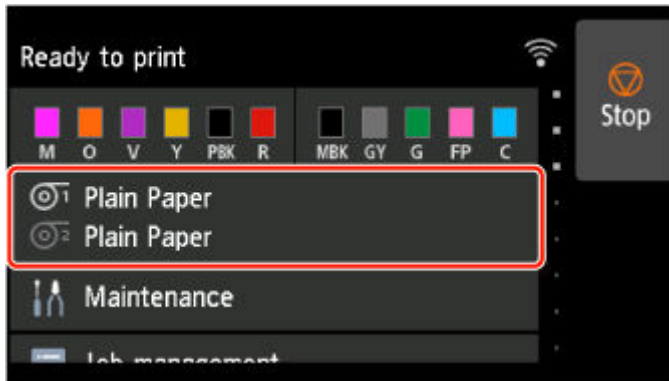
## Adjusting Vacuum Strength

When printing on heavyweight paper or paper that curls or wrinkles easily, if the Print head rubs against paper, adjusting the level of suction against paper on the platen may improve results.

### ▶▶▶ Important

- Paper rubbing against or becoming caught on the Print head may jam or result in printed documents that are soiled.

1. On the HOME screen, tap paper information area.



2. Select paper source and tap **Paper settings**.
3. Tap **Advanced**.
4. Tap **Transport unit vacuum strength**.
5. Tap vacuum strength.

# Color Management

---

## ➤ Color Calibration

- Managing Colors
- Performing Color Calibration
- Adjustment Types of Color Calibration

## **Color Calibration**

---

- **Managing Colors**
- **Performing Color Calibration**
- **Adjustment Types of Color Calibration**

## Managing Colors

---

Color management (color calibration) corrects for variations in color tones due to differences between printers and aging, and obtains continuously stable corrected color tones.

The color tones of this printer can be corrected by executing color calibration.

If you have multiple printers, you can make the color tones of the printers the same by executing color calibration on each of the printers.

### Execute Color Calibration

Executing color calibration improves color consistency by compensating for slight differences in how color appears due to individual variations or aging among the printers.

You can use the operation panel to enable or disable the color calibration adjustment values, view the calibration status, and configure notifications when color calibration needs to be executed.

You can also execute color calibration from Device Management Console.

See the following for details.

➔ [Device Management Console Guide](#)

### Checking When to Execute Color Calibration

You can use the progress bar on the computer screen to determine when to execute color calibration.

Use Device Management Console to view when to execute color calibration.

See the following for details.

➔ [Device Management Console Guide](#)

### Checking Color Calibration Execution Logs

You can check the paper name and the date and time which color calibration was executed for each media type.

Use Device Management Console to view color calibration execution logs.

See the following for details.

➔ [Device Management Console Guide](#)

### Centrally Managing Multiple Printers

You can view the status of multiple network- and USB-connected printers.

You can also set up email notification if printer warnings or errors occur.

Use Device Management Console to manage the printers.

See the following for details.

➔ [Device Management Console Guide](#)



## **Using Paper Other Than Canon Genuine Paper**

To execute color calibration for paper other than Canon genuine paper, you must create and register dedicated media information.

To register this media information, use Media Configuration Tool.

See the following for details.

➔ [Media Configuration Tool Guide](#)

## Performing Color Calibration

Color calibration improves color consistency by compensating for slight differences in how color appears when printing due to individual variations or aging among the printers.

Executing color calibration will print a test pattern (built into the printer) that is then read automatically by the printer.

By this operation, calibration adjustment values reflecting the print result of the test pattern are set automatically.

### ►► Important

- To increase the color stability precision when executing color calibration, maintain a constant temperature and humidity environment each time within the range of temperatures of 59 to 86°F (15 to 30°C) and within the range of humidities of 40 to 60%.

Executing color calibration under various temperature and humidity conditions may prevent the printer from making the correct adjustments.

- Before color calibration, ensure the printer is not exposed to direct sunlight or other strong sources of light.

If the printer is exposed to strong sources of light, correct adjustment may not be possible.

## Recommend Timing for Color Calibration

We recommend color calibration in the following situations.

- After initial printer installation
- After print head replacement
- If colors seem different from before, despite using the same printing environment, under the same conditions
- To print with colors aligned from multiple printers
- When the execution guide is displayed

## Executing Color Calibration

### Paper size that can be used for color calibration

#### When using rolls

Roll at least 10.00 in. (254.0 mm) wide

#### When using sheets

Sheet of A4/Letter size or larger

Execute color calibration using the following procedure.

1. You can confirm whether the paper to be loaded can be used in color calibration.
  - ➡ Paper Information List
2. Load paper.

- ➔ [Loading the Upper Roll on the Printer](#)
- ➔ [Loading the Lower Roll on the Roll Unit \(Option\)](#)
- ➔ [Loading Sheets in the Printer](#)

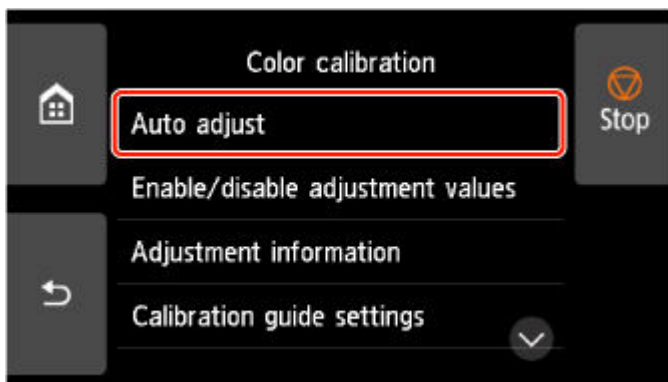
3. Tap **Maintenance** on HOME screen.

- ➔ [Home Screen Menu Composition](#)

The **Maintenance** screen appears.

4. Tap **Color calibration**.

5. Tap **Auto adjust**.



A confirmation message appears.

#### ➤➤➤ Note

- For details about menu items other than **Auto adjust**, see [Other Menu Items](#).

6. Tap **Yes**.

The paper source setting screen appears.

7. Tap **Roll paper 1**, **Roll paper 2** or **Manual**.

After the paper is confirmed, and color calibration is executed, the calibration adjustment value is set automatically.

## Other Menu Items

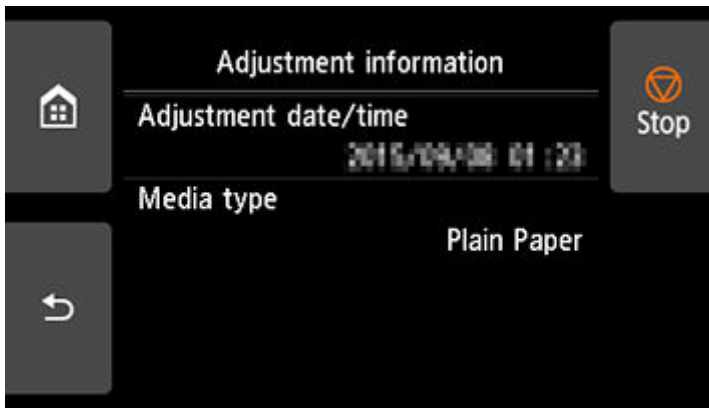
### • **Enable/disable adjustment values**

You can select whether to apply the calibration adjustment value when printing.

However, for settings that differ from **Calibration Value** of the printer driver, the values specified in the printer driver take priority.

### • **Adjustment information**

You can confirm the color calibration adjustment date/time and the executed media type.



- **Calibration guide settings**

You can select whether to display a message asking to execute color calibration on the touch screen in the following situations.

- When a new print head has been installed
- When a certain amount of printing has been executed after color calibration is executed
- When the data of color calibration has been initialized

- **Reset adjustment values**

Clear the color calibration adjustment value and the adjustment information.

# Adjustment Types of Color Calibration

## Adjustment Types of Color Calibration

Color calibration allows you to adjust colors for each media type.

There are two adjustment types: common calibration and unique calibration. The appropriate type depends on the media type being used.

For details on whether or not color calibration can be executed and the adjustment types for various types of paper, see Paper Information List.

## Features

### Common Calibration

When you calibrate Canon genuine paper using common calibration, the results are also applied to any other media types for which calibration has not yet been executed.

This allows you to use multiple media types quickly because it is not necessary to execute color calibration for each media type.

- If color calibration is executed on a media type categorized as common calibration, new common calibration adjustment values are set.
  - New common calibration adjustment values are set for paper for which color calibration has not been performed.
  - New common calibration values are not overwritten for media types for which color calibration has already been performed. The current calibration adjustment values take priority.

The common calibration adjustment values apply to all print qualities.

### Unique Calibration

When you calibrate a media type using unique calibration, only the selected paper is adjusted. Other media types are not affected.

- If color calibration is executed on a media type categorized as unique calibration, new unique calibration adjustment values are set specifically for the paper.

#### ▶▶▶ Note

- If color calibration has not been executed, any newly set common calibration values will be applied.

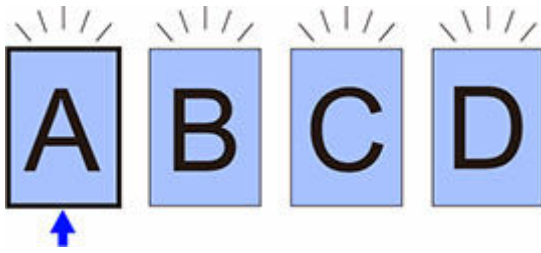
#### ▶▶▶ Note

- If the paper being used does not support color calibration, execute color calibration for a media type categorized as common calibration in advance. The common calibration adjustment values even apply to the paper being used.

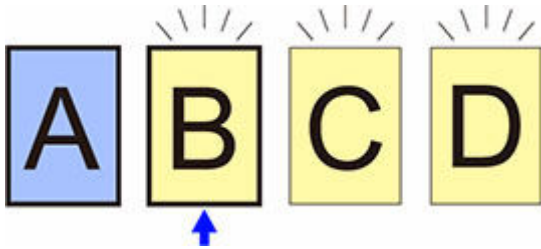
### Example: Execute color calibration with the default settings

The following describes adjusting media types A to D. A, B and D use common calibration, and C uses unique calibration.

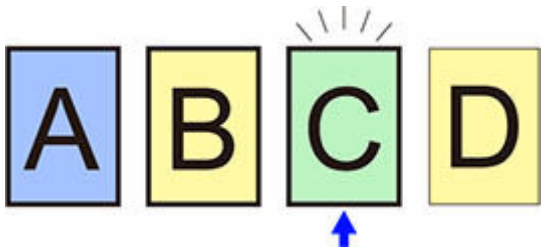
- First: Execute color calibration with media type A (categorized as common calibration)



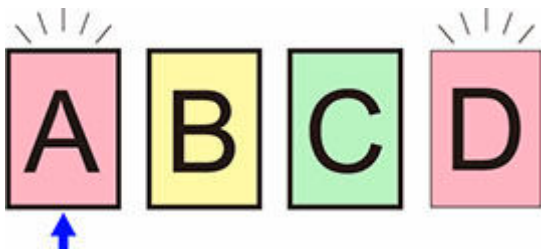
- The calibration adjustment value of media type A is also applied to B to D for which color calibration has not been performed.
- Second: Execute color calibration with media type B (categorized as common calibration)



- The calibration adjustment value of media type B is also applied to C and D for which color calibration has not been performed.
- Media type A is not changed from the first directly set adjustment value.
- Third: Execute color calibration with media type C (categorized as unique calibration)



- The calibration adjustment value of media type C is set.
- Media types A, B and D are all unchanged from their current calibration values.
- Fourth: Execute color calibration again with media type A (categorized as common calibration)



- The calibration adjustment value of media type A is also applied to media type D for which color calibration has not been performed.
- Media types B and C are unchanged from their current calibration values.

### ►► Note

- You can confirm the currently applied calibration adjustment date and the executed paper type with **Adjustment information** in **Color calibration** on the touch screen menu.



## Maintenance and Consumables

---

### ► Ink Tanks

- Ink Tanks
- Replacing Ink Tanks
- Checking Ink Tank Levels
- When to Replace Ink Tanks

### ► Print Head

- Print Head
- Checking for Nozzle Clogging
- Cleaning the Print Head
- Replacing the Print Head

### ► Maintenance Cartridge

- Maintenance Cartridge
- Replacing the Maintenance Cartridge
- Checking the Remaining Maintenance Cartridge Capacity
- When to Replace the Maintenance Cartridge

### ► Cutter Blade

- Cutter Blade
- Replacing the Cutter Blade

### ► Performing Maintenance Functions from Your Computer (Windows)

- Cleaning the Print Heads
- Printing a Nozzle Check Pattern

### ► Performing Maintenance Functions from Your Computer (macOS)

- Opening Remote UI for Maintenance
- Cleaning the Print Heads
- Printing a Nozzle Check Pattern

### ► Cleaning the Printer



- Cleaning the Printer Exterior
- Cleaning Inside the Top Cover
- Cleaning the Roll Unit
- Cleaning the Print Head

➤ **Other Maintenance**

- Preparing to Transfer the Printer
- Reinstalling the Printer
- Firmware update

## **Ink Tanks**

---

- **Ink Tanks**
- **Replacing Ink Tanks**
- **Checking Ink Tank Levels**
- **When to Replace Ink Tanks**

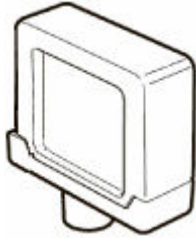
## Ink Tanks

---

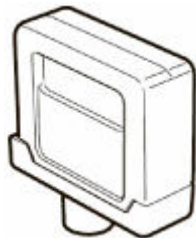
The printer supports the following ink tanks.

When purchasing, check the Model number.

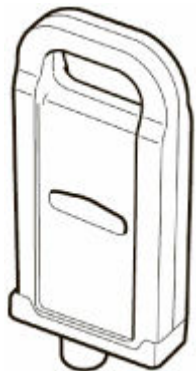
- 160 ml (5.4 fl oz)



- 330 ml (11.2 fl oz)



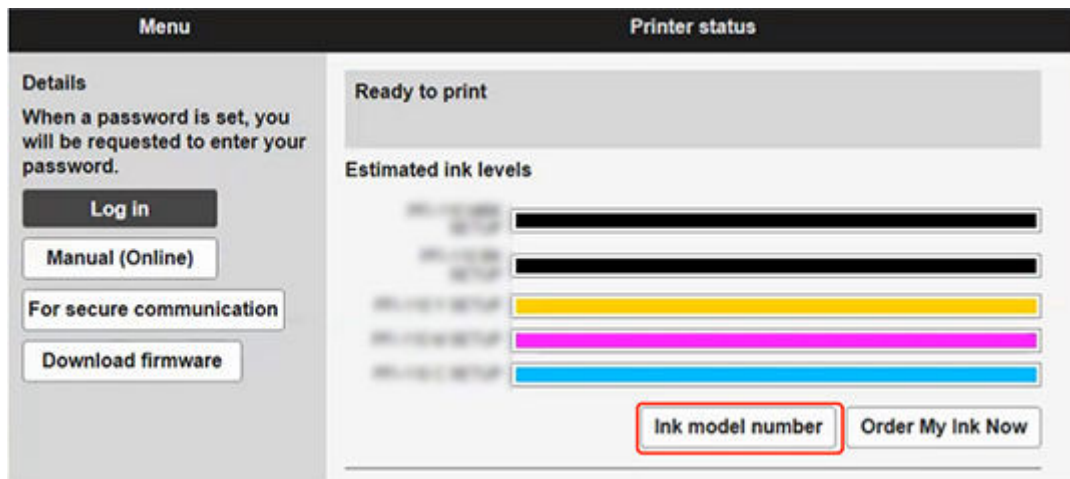
- 700 ml (23.7 fl oz)



## Checking Ink Model Number

### Checking Using Web Browser

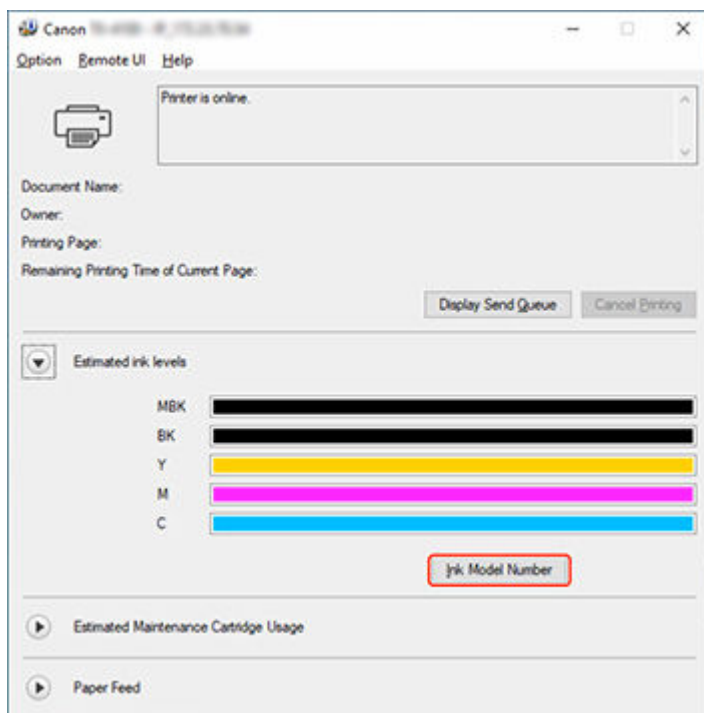
1. Start up Remote UI.
  - ➔ [Start up Remote UI](#)
2. Select **Ink model number**.



The type and number of inks displayed will vary depending on the printer you are using.

### Checking Using Canon IJ Status Monitor ( Windows )

1. Start up Canon IJ Status Monitor.
  - ➡ Canon IJ Status Monitor
2. Click **Estimated ink levels**.
3. Click **Ink Model Number** information.



The type and number of inks displayed will vary depending on the printer you are using.

**»» Note**

- For instructions on replacing the ink tanks, see [Replacing Ink Tanks](#).

## Replacing Ink Tanks

### Compatible Ink Tanks

For details on compatible ink tanks, see [Ink Tanks](#).

You can replace ink tanks in 5.4 fl oz (160 ml), 11.2 fl oz (330 ml), and 23.7 fl oz (700 ml) capacities.

#### ▶▶▶ Note

- Depending on the color, you can also use an ink tank with a different capacity.

### Precautions When Handling Ink Tanks

Take the following precautions when handling ink tanks.

#### ⚠ Caution

- For safety, keep ink tanks out of the reach of children.
- If ink is accidentally ingested, contact a physician immediately.

#### ▶▶▶ Important

- There may be ink around the ink holes of an ink tank you removed. Handle the ink tanks carefully during replacement. The ink may stain clothing.
- Do not install ink tanks used in this printer in another printer. This will prevent correct ink level detection, which may damage the printer or cause other problems.
- We recommend using up an ink tank in the course of printing within six months after breaking the seal. Printing quality may be affected if you use older ink tanks.
- Do not leave the printer without ink tanks installed for extended periods (a month or more). Residual ink may become clogged inside the printer and affect printing quality.

### How to Replace an Ink Tank

If a message indicates you should replace an ink tank, check the message details and go to step 2.

1. [Selecting Ink Tank Replacement from Menu](#)
2. Removing Ink Tanks
  - ➔ [Removing ink tank \(5.4 fl oz \(160 ml\) / 11.2 fl oz \(330 ml\)\)](#)
  - ➔ [Removing ink tank \(23.7 fl oz \(700 ml\)\)](#)
3. Loading New Ink Tanks
  - ➔ [Loading ink tank \(5.4 fl oz \(160 ml\) / 11.2 fl oz \(330 ml\)\)](#)
  - ➔ [Loading ink tank \(23.7 fl oz \(700 ml\)\)](#)

#### ▶▶▶ Important

- Do not remove an ink tank during initialization immediately after turning on the printer, or during print head cleaning. Ink may leak out.

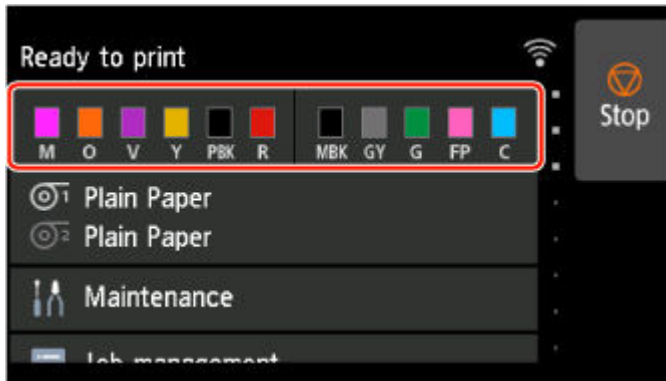
## ►► Note

- Ink tank replacement is possible even during printing, when print jobs are being canceled, or when paper is being advanced.

## Selecting Ink Tank Replacement from Menu

1. Tap ink display area on HOME screen.

➔ [Home Screen Menu Composition](#)



The **Current estimated ink levels** screen appears.

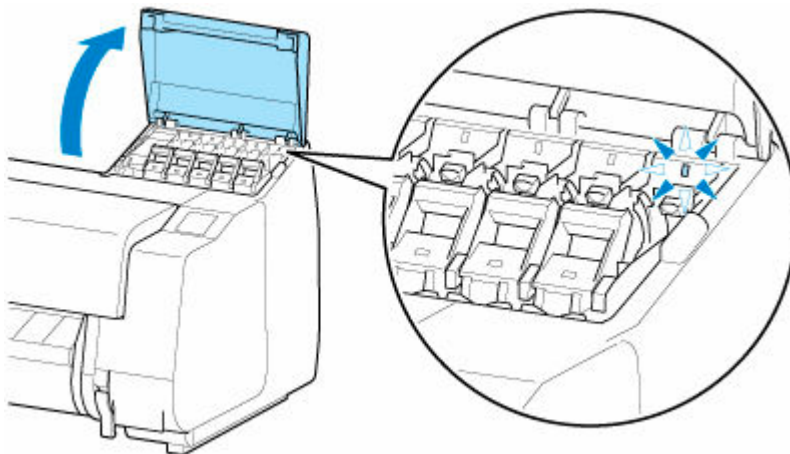
2. Tap **Replace**.

Instructions for the ink tank replacement procedure appear on the touch screen.

## Removing ink tank (5.4 fl oz (160 ml) / 11.2 fl oz (330 ml))

1. Open ink tank cover and check ink lamp.

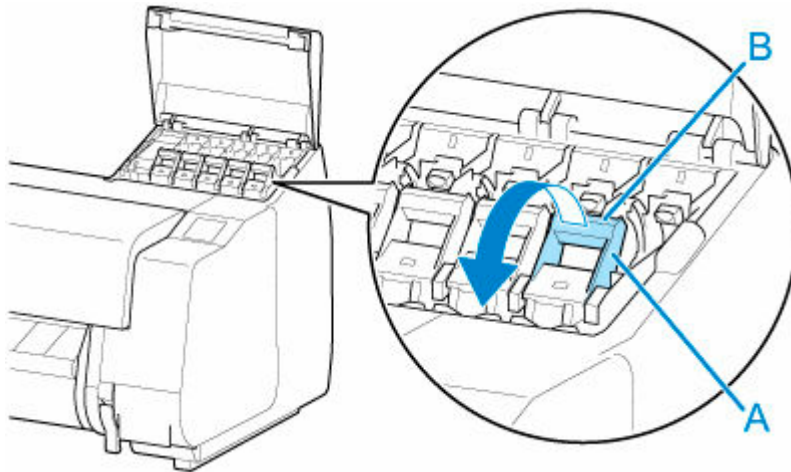
The ink lamp flashes if there is no ink left.



## ►► Important

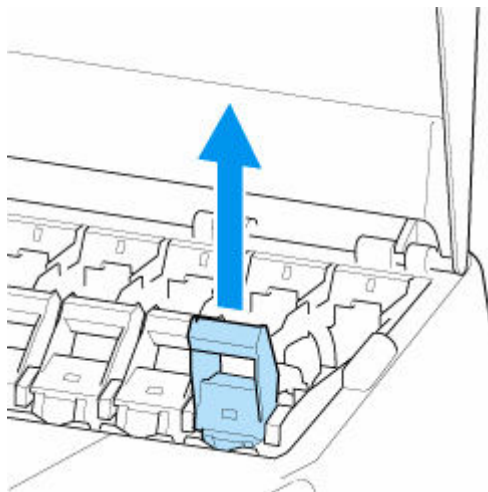
- Avoid jarring the printer a lot when replacing an ink tank. Handle the printer gently when replacing tanks. Jarring the printer during printing may affect printing quality.

2. Pull forward handle part (A) of ink tank lock lever of color to replace while pressing button at B.

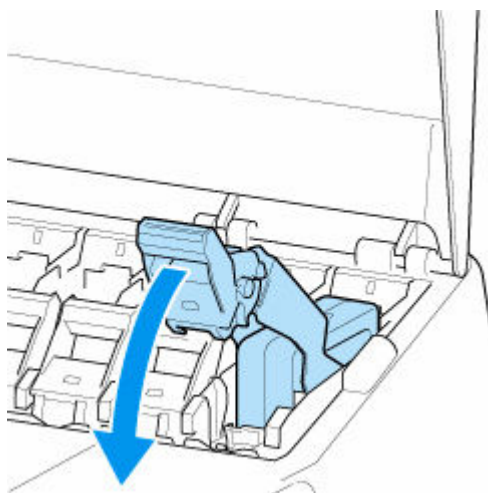


3. Pull out ink tank lock lever.

1. Pull ink tank lock lever straight up.

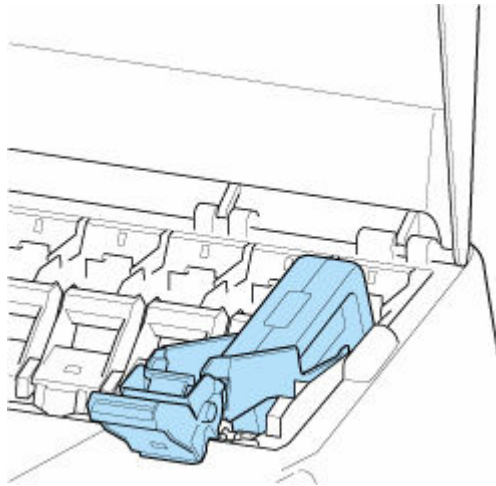


2. Pull ink tank lock lever toward the front.



3. Push ink tank lock lever firmly down until it does not return.

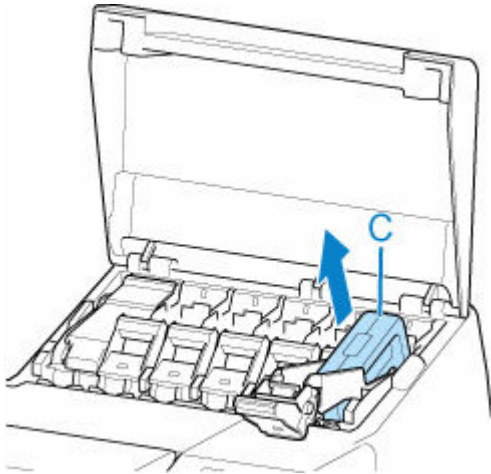




### ▶▶▶ Note

- Check that the ink tank lock lever does not return.

4. Remove ink tank by grips (C), and then tap **OK**.



### ▶▶▶ Important

- Do not turn off the power of the printer with the ink tank removed except in the case of the preparation for transportation. Otherwise, inside of the ink tank cover may be stained.
- Store the removed ink tank with ink remaining with the ink holes (D) facing up. Otherwise, ink may leak and cause stains. Put the removed ink tank in a plastic bag and close the bag.



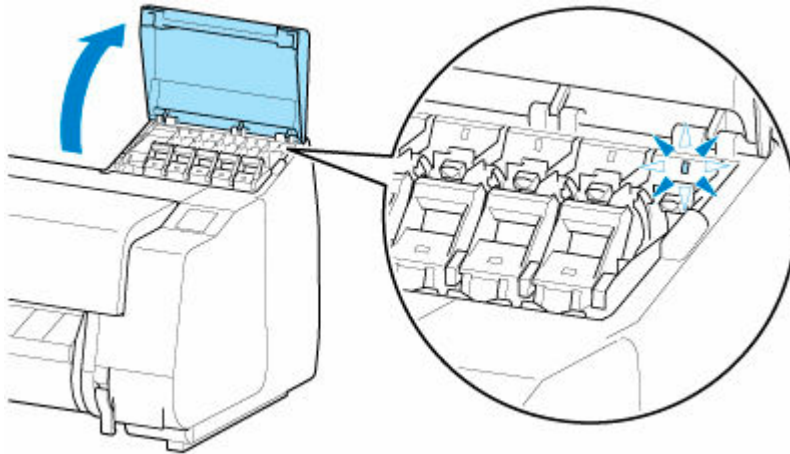
## ►► Note

- Dispose of the used ink tank in accordance with local regulations.

## Removing ink tank (23.7 fl oz (700 ml))

1. Open ink tank cover and check ink lamp.

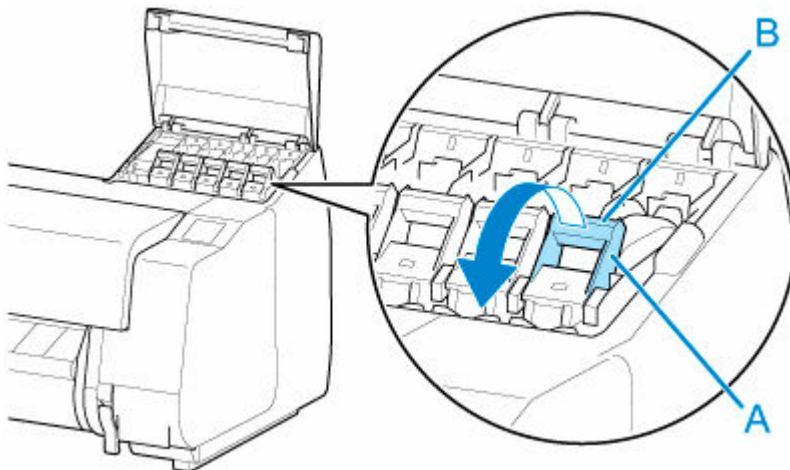
The ink lamp flashes if there is no ink left.



## ►► Important

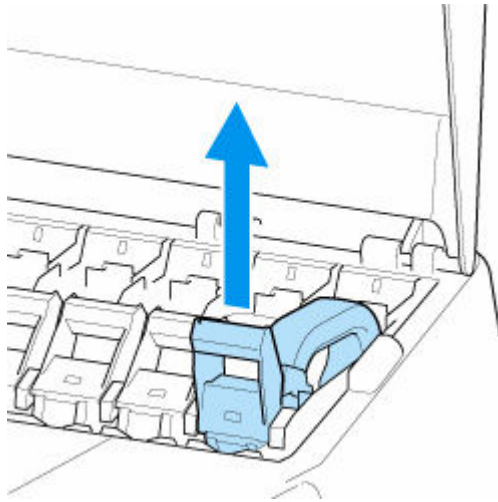
- Avoid jarring the printer a lot when replacing an ink tank. Handle the printer gently when replacing tanks. Jarring the printer during printing may affect printing quality.

2. Pull forward handle part (A) of ink tank lock lever of color to replace while pressing button at B.

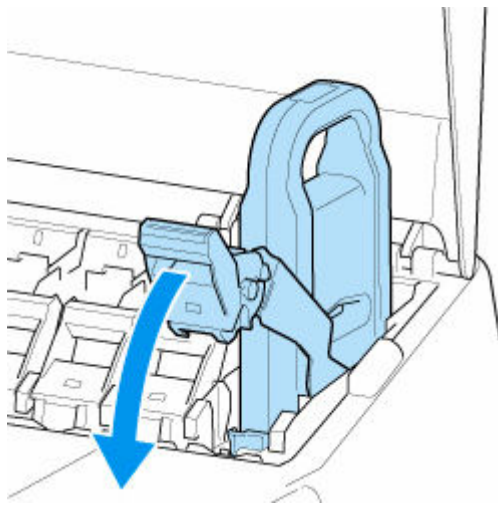


3. Pull out ink tank lock lever.

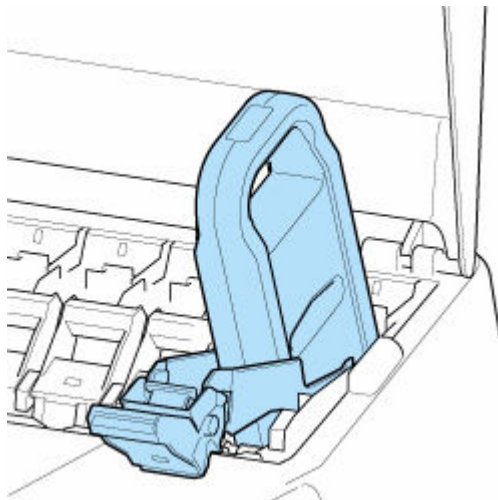
1. Pull ink tank lock lever straight up.



2. Pull ink tank lock lever toward the front.



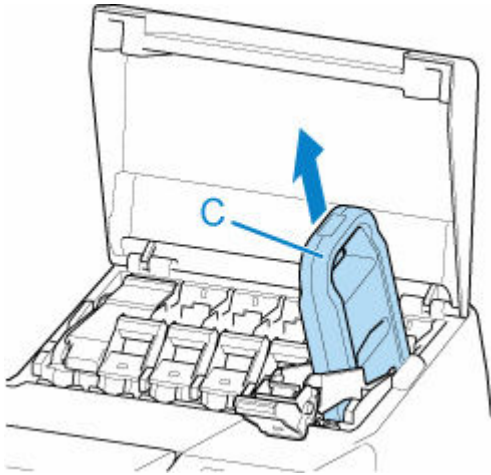
3. Push ink tank lock lever firmly down until it does not return.



►► Note

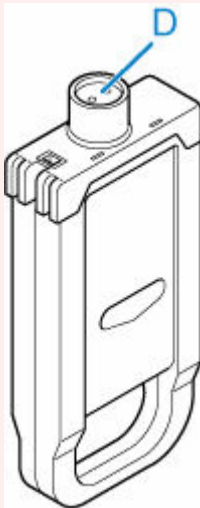
- Check that the ink tank lock lever does not return.

4. Remove ink tank by handle (C), and then tap **OK**.



### ►► Important

- Do not turn off the power of the printer with the ink tank removed except in the case of the preparation for transportation. Otherwise, inside of the ink tank cover may be stained.
- Store the removed ink tank with ink remaining in the box with the ink holes (D) facing up. Otherwise, ink may leak and cause stains.

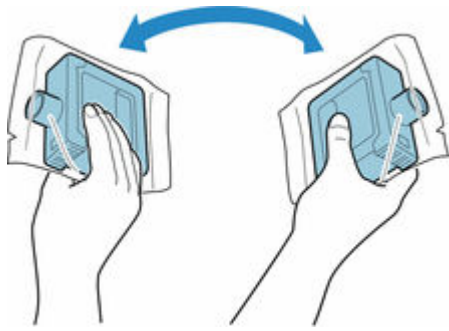


### ►► Note

- Dispose of the used ink tank in accordance with local regulations.

## **Loading ink tank (5.4 fl oz (160 ml) / 11.2 fl oz (330 ml))**

1. Before opening the pouch, tilt the ink tank to the left and right gently seven or eight times.



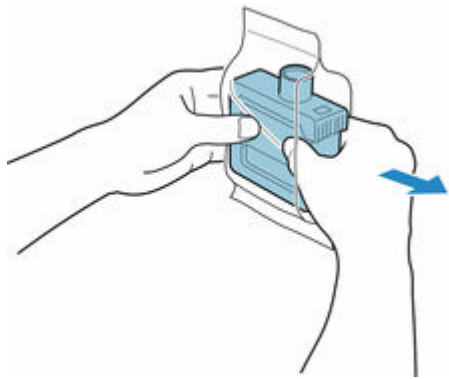
### ▶▶▶ Important

- Do not remove and agitate an ink tank that has already been installed in the printer. Ink may leak out.
- Failure to agitate the ink tank may cause the ink components to precipitate and may affect printing quality.

### ▶▶▶ Note

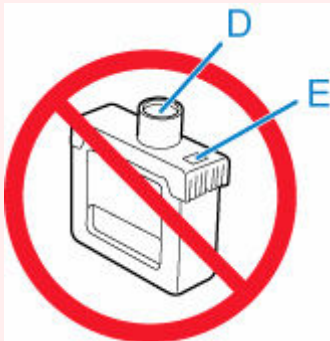
- If the ink tank is at a low temperature, allow it to warm up to room temperature before installing.

## 2. Open the pouch and remove the ink tank.



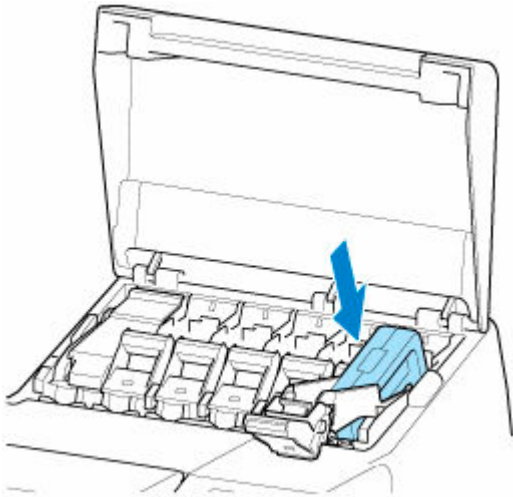
### ▶▶▶ Important

- Never touch the ink holes (D) or the metal contacts (E). This may cause stains, damage the ink tank, and affect printing quality.



- Avoid dropping the ink tank after removing it from the pouch. Otherwise, ink may leak and cause stains.

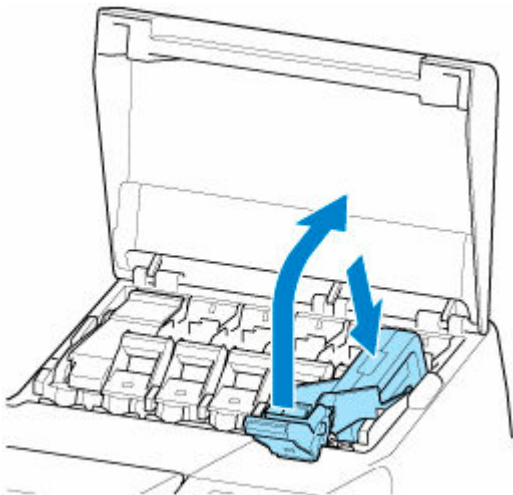
## 3. Tap **OK** and insert ink tank into holder with ink holes down and metal contacts at rear.



**▶▶ Important**

- An ink tank cannot be loaded in the holder if the color or orientation is incorrect. If the ink tank does not fit in the holder, do not force it into the holder. Reinstall while checking the label color display, ink tank color, and ink tank orientation.

4. Lift up ink tank lock lever, and then push it down.



5. Push handle part of ink tank lock lever firmly all the way in.



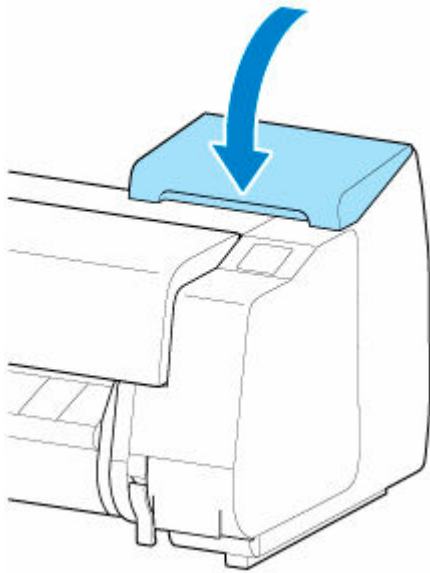
6. Make sure ink lamp is lit.



**▶▶▶ Note**

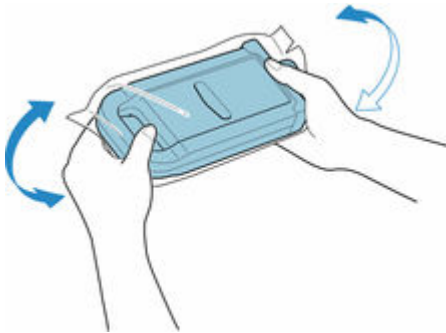
- If the ink lamp is not lit, reload the tank.

7. Close ink tank cover.



## Loading ink tank (23.7 fl oz (700 ml))

1. Before opening the pouch, hold the new ink tank with both hands and tilt it to the left and right as shown, shaking it gently seven or eight times.



### **⚠ Caution**

- A 23.7 fl oz (700 ml) ink tank is heavy, so use your whole arm to agitate it instead of just your wrist. If you agitate the ink tank using just your wrist, you may injure your wrist.

### **➤➤➤ Important**

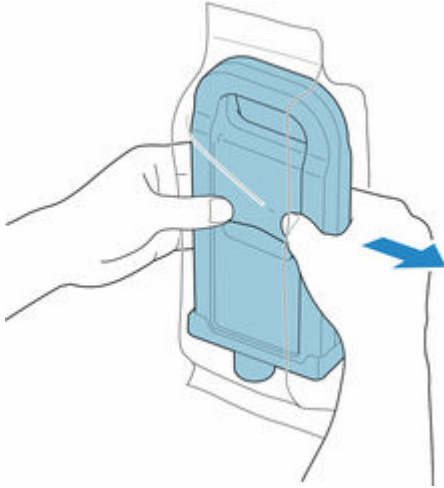
- Do not remove and agitate an ink tank that has already been installed in the printer. Ink may leak out.
- Failure to agitate the ink tank may cause the ink components to precipitate and may affect printing quality.

### **➤➤➤ Note**

- If the ink tank is at a low temperature, allow it to warm up to room temperature before installing.

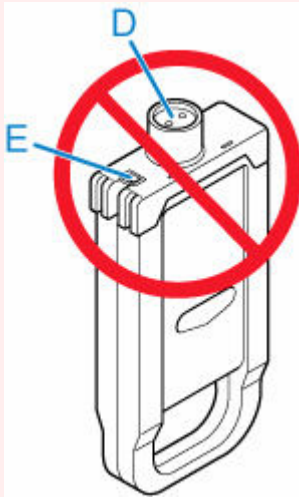
2. Open the pouch and remove the ink tank.





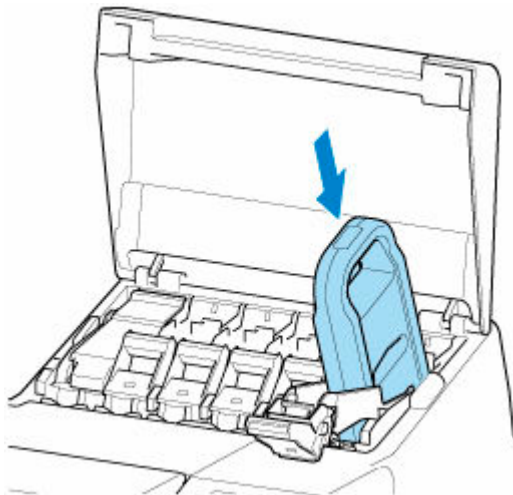
### ►► Important

- Never touch the ink holes (D) or the metal contacts (E). This may cause stains, damage the ink tank, and affect printing quality.



- Avoid dropping the ink tank after removing it from the pouch. Otherwise, ink may leak and cause stains.

3. Tap **OK** and insert ink tank into holder with ink holes down and metal contacts at rear.

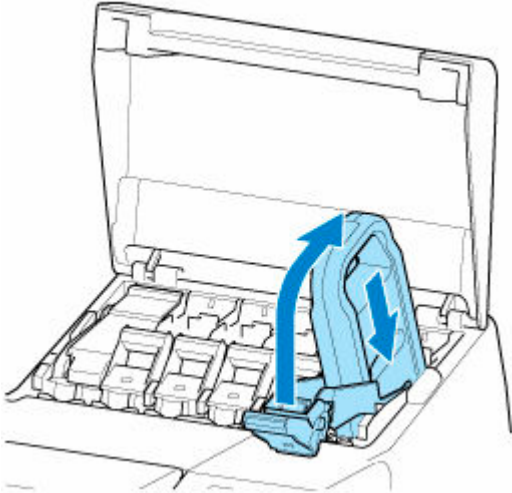


## **»» Important**

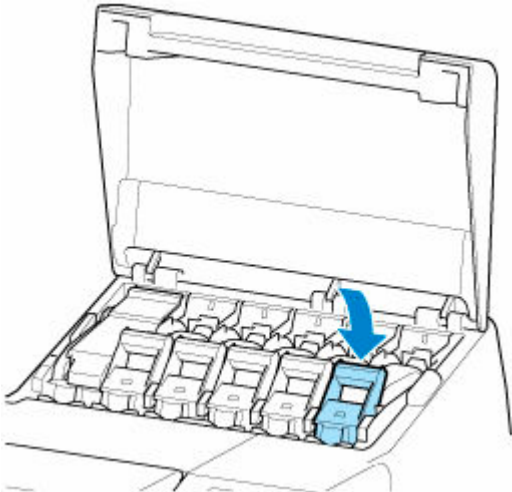
- An ink tank cannot be loaded in the holder if the color or orientation is incorrect.

If the ink tank does not fit in the holder, do not force it into the holder. Reinstall while checking the label color display, ink tank color, and ink tank orientation.

4. Lift up ink tank lock lever, and then push it down.



5. Push handle part of ink tank lock lever firmly all the way in.



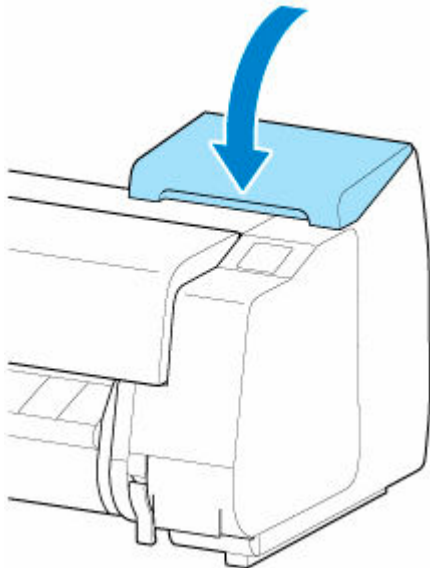
6. Make sure ink lamp is lit.



**▶▶ Note**

- If the ink lamp is not lit, reload the tank.

7. Close ink tank cover.

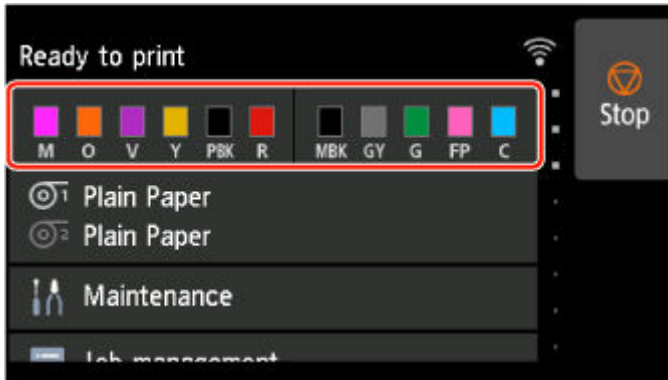


## Checking Ink Tank Levels

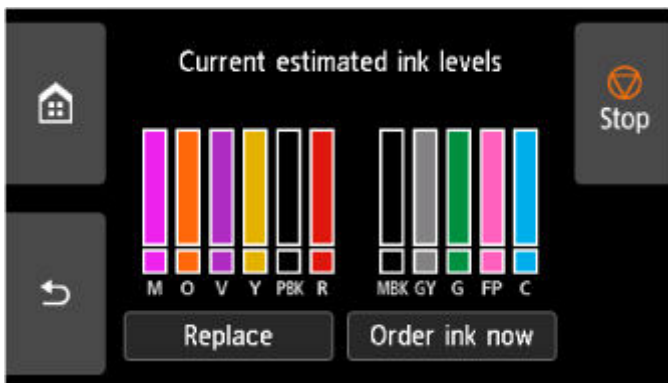
On the touch screen, you can check how much ink is left in the ink tank.

1. Tap ink display area on HOME screen.



➔ [Home Screen Menu Composition](#)

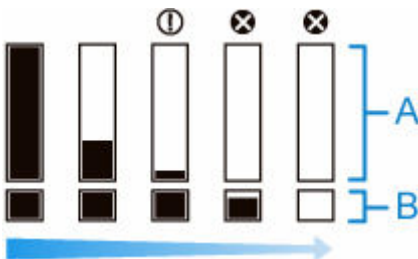


The **Current estimated ink levels** screen appears.



This printer has ink tanks (A) and sub-ink tanks (B). Even if ink runs out, printing can continue with ink in the sub-ink tanks.

When the remaining ink is low,  will appear on the remaining ink level. When ink runs out,  will appear. See the figure below.




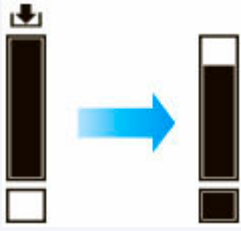
If the touch screen indicates to replace the ink tank, replace the ink tank. If a message is displayed indicating to check the remaining ink levels, or after tasks that consume a lot of ink such as large-format printing or head cleaning, check the remaining levels and replace ink tank as needed.

➔ [Replacing Ink Tanks](#)

## »» Note

- Tap **Order ink now** to view the ink supplier information.
- When the ink tank is replaced, the sub-ink tank will be filled with ink.

During this time,  is displayed above the ink level.



## When to Replace Ink Tanks

---

Replace or prepare to replace ink tanks in the following situations.

- **If ink confirmation message appears on touch screen**

If ink is low, the **Status** lamp lights orange and a notification message will appear on the touch screen. You can continue to print, but prepare the ink tanks.

➔ [Checking Ink Tank Levels](#)

- **Before print jobs and maintenance that consume a lot of ink**

If little ink is left, there may not be enough for large-format printing, head cleaning, and maintenance, which require a lot of ink. Replace or prepare to replace the ink tanks in the following situations.

➔ [Checking Ink Tank Levels](#)

- **If message for ink replacement appears on touch screen**

When the ink runs out, the **Status** lamp flashes orange, a message regarding ink tanks replacement appears on the touch screen, and printing is disabled. Replace the ink tank.

➔ [Replacing Ink Tanks](#)

## **Print Head**

---

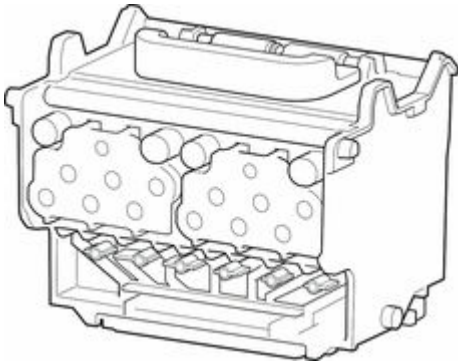
- **Print Head**
- **Checking for Nozzle Clogging**
- **Cleaning the Print Head**
- **Replacing the Print Head**

## Print Head

---

When purchasing, check the Model number.

**Model number: PF-10**



### ▶▶▶ Note

- For instructions on replacing the print head, see [Replacing the Print Head](#).



## Checking for Nozzle Clogging

If printing is faint or affected by banding in different colors, make sure the print head nozzles are clear by printing a test pattern to check the nozzles.

### ▶▶▶ Note

- By default, nozzles are checked at fixed intervals.

➔ [Auto maintenance settings](#)

### Paper to Prepare

#### When using rolls

An unused roll at least 10.00 in. (254.0 mm) wide

#### When using sheets

One sheet of unused paper of at least A4/Letter size

#### 1. Load paper.

- ➔ [Loading the Upper Roll on the Printer](#)
- ➔ [Loading the Lower Roll on the Roll Unit \(Option\)](#)
- ➔ [Loading Sheets in the Printer](#)

#### 2. Tap **Maintenance** on HOME screen.

- ➔ [Home Screen Menu Composition](#)

The **Maintenance** screen appears.

#### 3. Tap **Nozzle Check**.

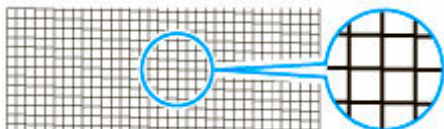
A confirmation message appears.

#### 4. Tap **Yes**.

The printer now prints a test pattern for checking the nozzles.

#### 5. Check the printing results.

If the horizontal lines are not faint or incomplete, the nozzles are clear.



If some sections of the horizontal lines are faint or incomplete, the nozzles for those colors are clogged.



If horizontal lines are faint or incomplete, execute print head cleaning.

➡ [Cleaning the Print Head](#)

## Cleaning the Print Head

If printing is faint, cleaning the print head may improve results.

Choose one of three print head cleaning modes (**Cleaning**, **Deep Cleaning**, or **System Cleaning**), depending on the problem to resolve.

- **Cleaning**

Use this mode if printing is faint or contains foreign substances. This method of cleaning consumes the least amount of ink.

It takes about 2 to 3 minutes.

- **Deep Cleaning**

Use this mode if no ink is ejected at all or if **Cleaning** does not solve the problem.

It takes about 2 to 3 minutes.

- **System Cleaning**

Use this mode if printing is not improved after **Deep Cleaning**. **System Cleaning** consumes a very large amount of ink. Performing this frequently consumes the ink faster. Perform this only when needed.

It takes about 4 to 5 minutes.

### ▶▶▶ Important

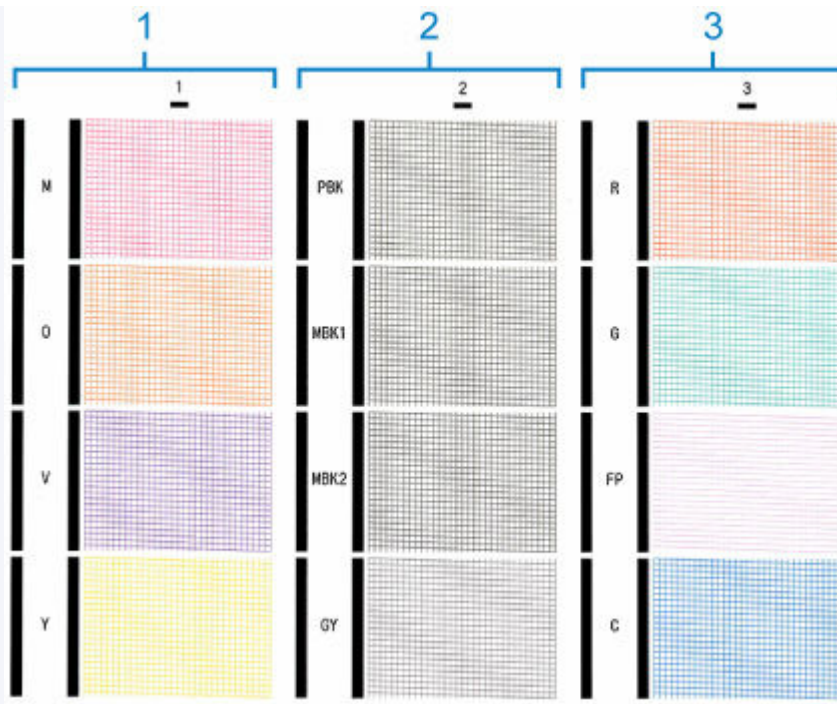
- Do not remove the maintenance cartridge or ink tanks during **Cleaning**, **Deep Cleaning**, or **System Cleaning**.

Ink may leak or an error may occur.

- If printing is not improved after **System Cleaning**, the print head may be at the end of its service life. Contact your Canon dealer for assistance.

### ▶▶▶ Note

- Check the nozzle check pattern and select an ink group for which to perform cleaning as needed. You can clean all print head or select the pattern below to clean the print head with a clogged nozzle.



- By default, nozzles are checked at fixed intervals.

➔ [Auto maintenance settings](#)

Perform cleaning as follows.

1. Tap **Maintenance** on HOME screen.

➔ [Home Screen Menu Composition](#)

The **Maintenance** screen appears.

2. Tap **Print Head Cleaning**.

3. Tap **Cleaning**, **Deep Cleaning**, or **System Cleaning**.

4. Tap ink group to be cleaned.

- **All colors**
- **Pattern 1:** M / O / V / Y
- **Pattern 2:** PBK / MBK / GY
- **Pattern 3:** R / G / FP / C

A confirmation message appears.

5. Tap **Yes**.

Head cleaning is now executed.

6. Print a test pattern to check the nozzles and determine whether cleaning has cleared the nozzles.

➡ [Checking for Nozzle Clogging](#)

## Replacing the Print Head

If the touch screen indicates to replace the print head or if instructed to do so by your Canon dealer, replace the print head.

### Compatible Print Head

For details on compatible print head, see [Print Head](#).

### Precautions When Handling Print Head

Take the following precautions when handling the print head.

#### Caution

- For safety, keep print head out of the reach of children.
- If ink is accidentally ingested, contact a physician immediately.
- Do not touch the print head immediately after printing. The print head becomes extremely hot, and there is a risk of burns.

#### Important

- There may be ink around the nozzles of the print head you remove. Handle the print head carefully during replacement. The ink may stain clothing.
- Do not open the print head pouch until immediately before installation. After removing the print head from the pouch, install it right away. If the print head is left as is after the pouch is opened, the nozzles may dry out, which may affect printing quality.

### How to Replace Print Head

#### Caution

- When replacing the print head immediately after printing, wait a few minutes before replacing it. The metal parts of the print head become hot during printing, and there is a risk of burns from touching these parts.

#### Important

- Your hands may become dirty during print head replacement. Use the gloves provided in the box with the new print head for replacement.

#### Note

- Prepare a new ink tank when ink levels are low.
- Prepare a new maintenance cartridge when the remaining capacity of the maintenance cartridge is low.

#### 1. Remove any paper that has been fed.

- When using a roll, rewind it.
  - ➔ [Removing the Upper Roll from the Printer](#)

➡ [Removing the Lower Roll from the Roll Unit \(Option\)](#)

- When using sheets, remove the sheet.

➡ [Removing Sheets](#)

**2. Clean inside top cover.**

➡ [Cleaning Inside the Top Cover](#)

**3. Tap **Maintenance** on HOME screen.**

➡ [Home Screen Menu Composition](#)

The **Maintenance** screen appears.

**4. Tap **Head Replacement**.**

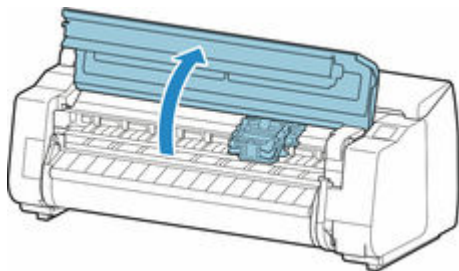
The **Head Replacement** screen appears.

**5. Tap **Start head replacement**.**

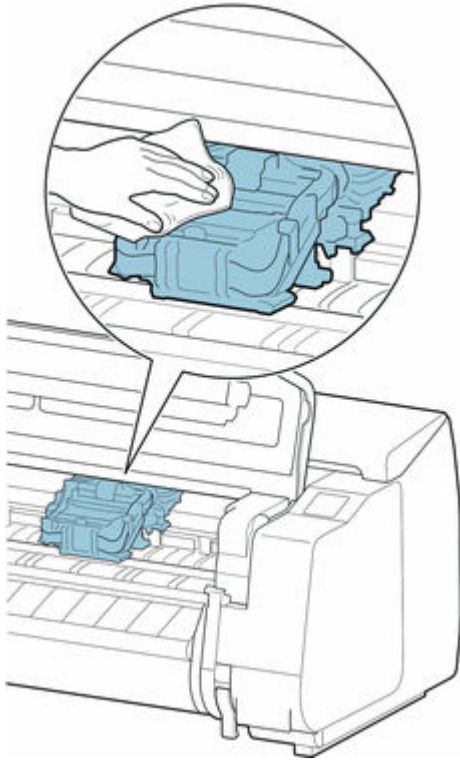
Ink begins being drawn in. When it finishes, instructions for the print head replacement procedure appear on the touch screen.

It takes about 3 to 4 minutes for ink to be drawn into the system and remove ink from the print head.

**6. Open top cover.**

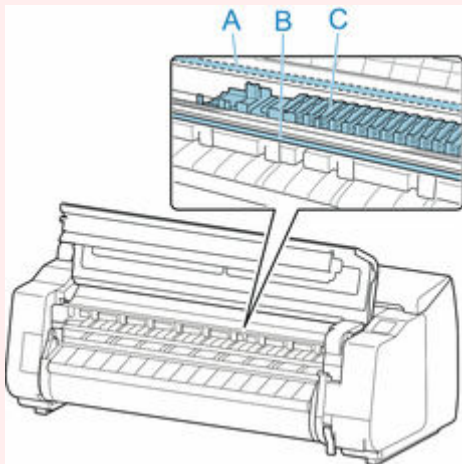


**7. If the print head locking cover and print head lock lever are dirty, use a damp cloth that you have wrung out completely to wipe them clean.**



### ►► Important

- Do not touch the linear scale (A), carriage shaft (B), or ink tube stabilizer (C). Touching these may cause malfunction.

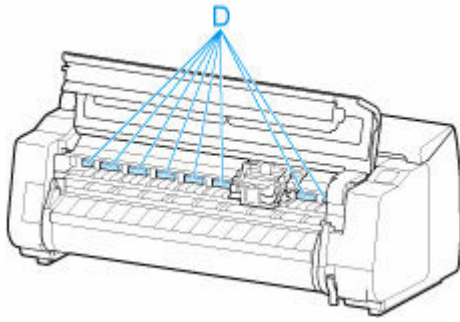


- Do not use tissue paper, paper towels, rough-textured cloth, or similar materials for cleaning so as not to scratch the surface.

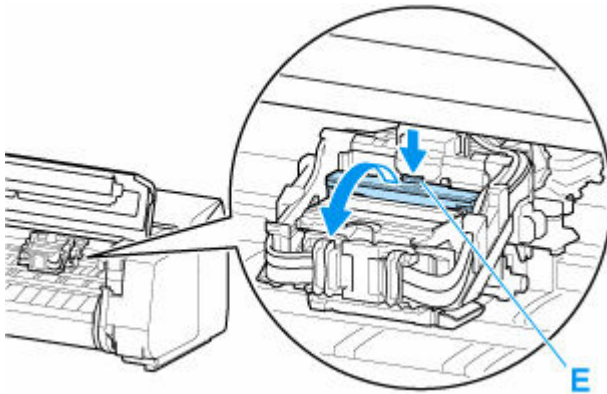
8. If ventilation duct (D) is dirty, use damp cloth that you have wrung out completely to wipe it clean.

If the Carriage is obscuring the ventilation duct, move the Carriage manually before cleaning the duct.

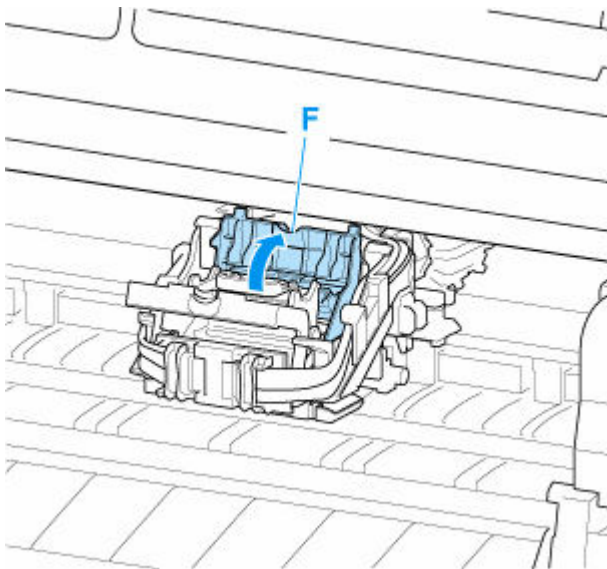




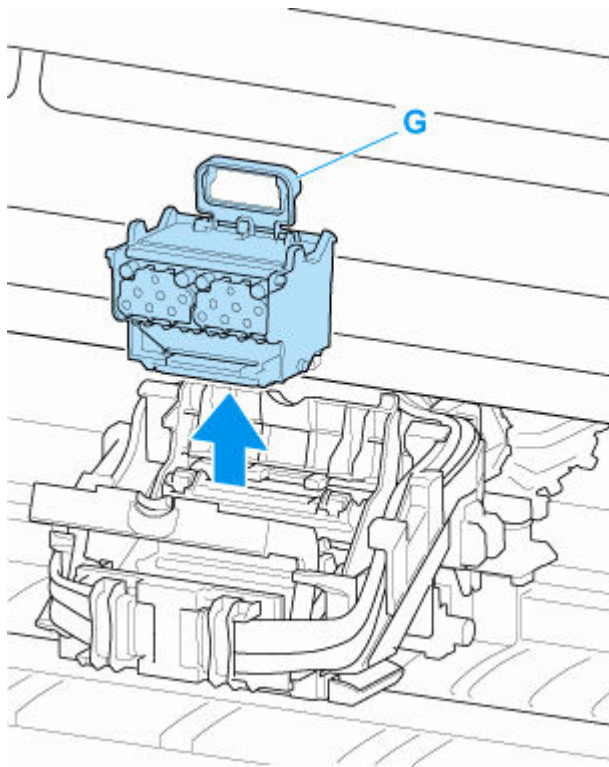
9. Pull down print head lock lever toward the front while holding its center (E) with your fingertip.



10. Grab grip (F) and open print head locking cover.



11. Grab grips (G) by blue handle, remove print head, and then tap **OK**



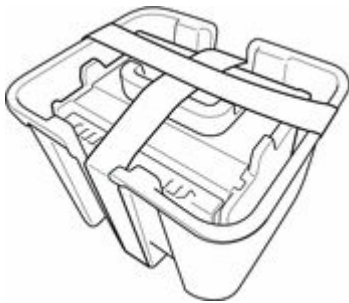
**Important**

- Never touch the metal contacts of the carriage. Furthermore, do not allow any dirt or debris to become adhered to the metal contacts of the carriage. These may damage the printer.

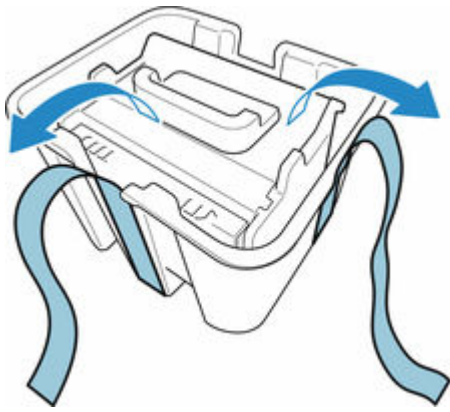
**Note**

- Dispose of the used print head in accordance with local regulations.

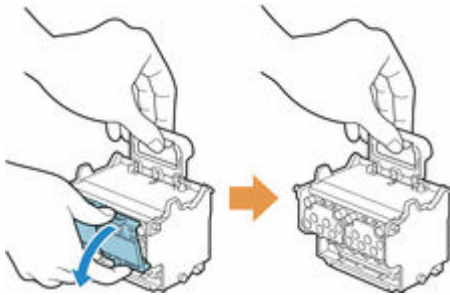
**12.** Remove print head that was in case from pouch.



**13.** Remove tape used to secure print head.

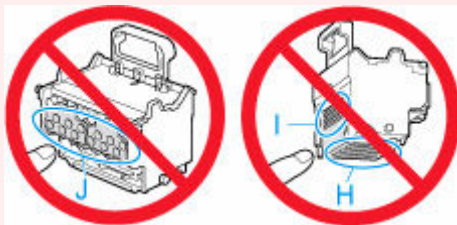


**14.** Lift print head by blue handle and remove orange protective cap (2).



### ►► Important

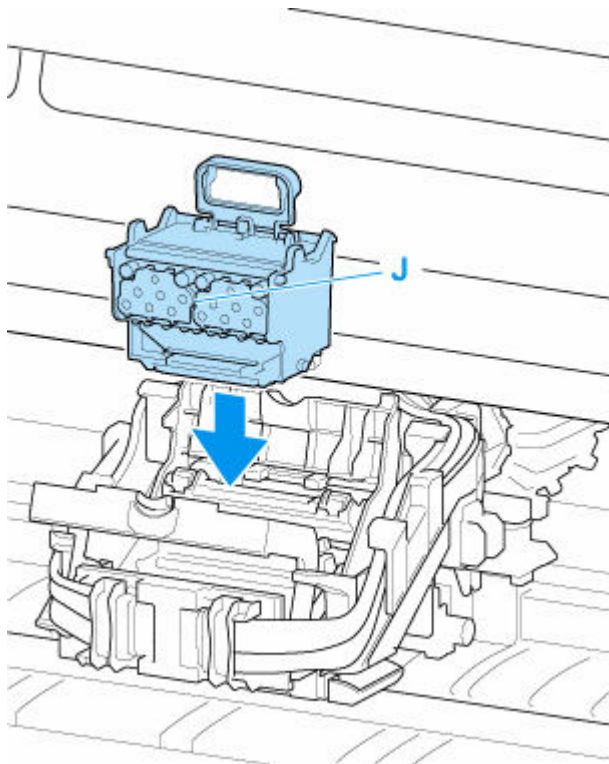
- Always carry the print head by the blue handle. Never touch nozzle (H) or metal contacts (I). This may damage the print head and affect printing quality.
- Never touch the ink holes (J). This may affect printing quality.



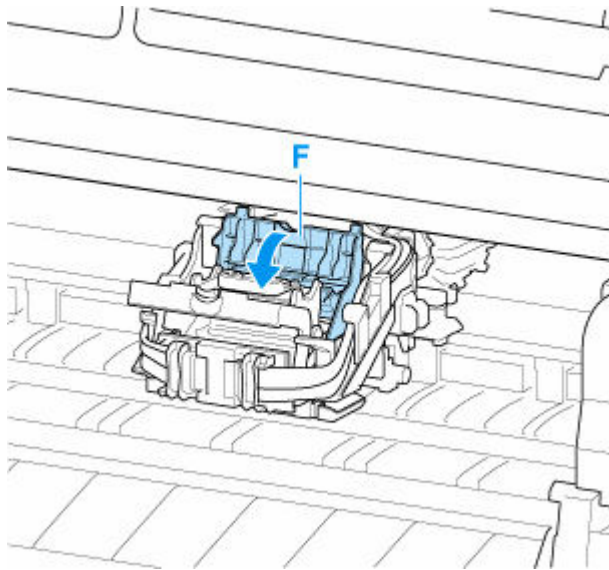
- The inside surface of the protective cap is coated with ink to protect the nozzle. Be careful not to touch these surfaces when removing the caps.
- The print head contains ink to protect the nozzle. We recommend removing the protective cap while holding it over the pouch that contained the print head or otherwise safely out of the way to avoid spilling ink and staining your clothes or the surrounding area. If ink accidentally spills, wipe off the ink with a dry cloth.
- If you need to put a print head somewhere temporarily before installation, do not set it down with the nozzles and metal contacts facing down. If the nozzles or metal contacts are damaged, it may affect the printing quality.
- Do not reattach the removed protective part. Dispose of these materials in accordance with local regulations.

**15.** Turn ink holes (J) toward the front and insert print head into carriage.

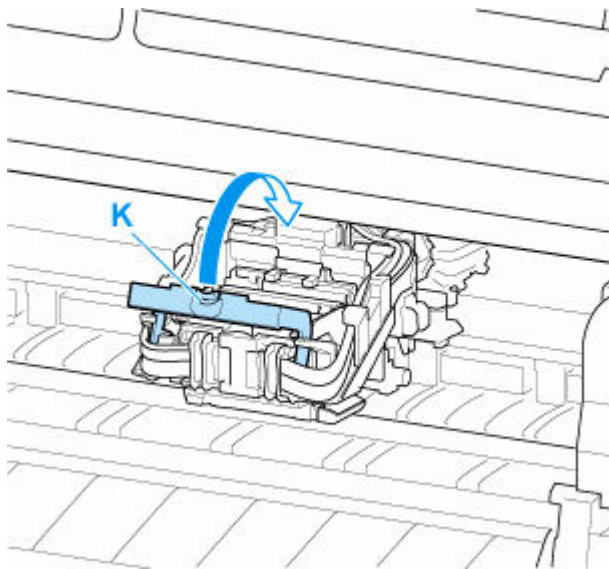
Insert the print head all the way into the carriage, while taking care to keep parts that were protected by the protective caps from touching the carriage.



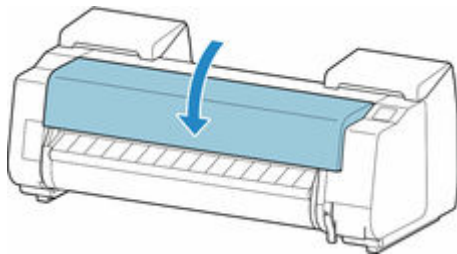
**16.** Grasp tab (F) of print head locking cover and lower it to front to lock print head.



**17.** While holding center part (K) of print head lock lever, lower it toward back until it clicks.



18. Close top cover.



Ink now fills the print head. It takes about 11 minutes.

#### ►► Important

- While ink is being filled, definitely do not remove the ink tank or maintenance cartridge. Ink may leak out.

#### ►► Note

- Print head position adjustment is executed when **Print pattern after new head** is set to **ON**.  
Follow the instructions on the touch screen to load paper.  
➡ [Auto maintenance settings](#)

## **Maintenance Cartridge**

---

- **Maintenance Cartridge**
- **Replacing the Maintenance Cartridge**
- **Checking the Remaining Maintenance Cartridge Capacity**
- **When to Replace the Maintenance Cartridge**

## Maintenance Cartridge

---

When purchasing, check the Model number.

**Model number: MC-30**



### ▶▶▶ Note

- For instructions on replacing the maintenance cartridge, see [Replacing the Maintenance Cartridge](#).

# Replacing the Maintenance Cartridge

## Compatible Maintenance Cartridges

For details on compatible maintenance cartridge, see [Maintenance Cartridge](#).

## Precautions When Handling Maintenance Cartridge

Take the following precautions when handling the maintenance cartridge.

### Caution

- For safety, keep maintenance cartridge out of the reach of children.
- If ink is accidentally ingested, contact a physician immediately.

### Important

- Do not remove the maintenance cartridge except to replace it. Ink may leak out.
- Do not remove a maintenance cartridge during initialization immediately after turning on the printer, during print head cleaning, while ink is being drawn out, or during initialization immediately after replacing the maintenance cartridge.

The maintenance cartridge may become damaged or ink may leak out.

- To prevent ink from leaking from a used maintenance cartridge, avoid dropping the cartridge or storing it at an angle. Otherwise, ink may leak and cause stains.
- Ink adheres to the top of the maintenance cartridge after it has been used. Handle the maintenance cartridge carefully during replacement. The ink may stain clothing.

## How to Replace a Maintenance Cartridge

If a message indicates you should replace a maintenance cartridge, check the message details and go to step 4.

1. Tap **Maintenance** on HOME screen.

➡ [Home Screen Menu Composition](#)

The **Maintenance** screen appears.

2. Tap **Maintenance cartridge info**.

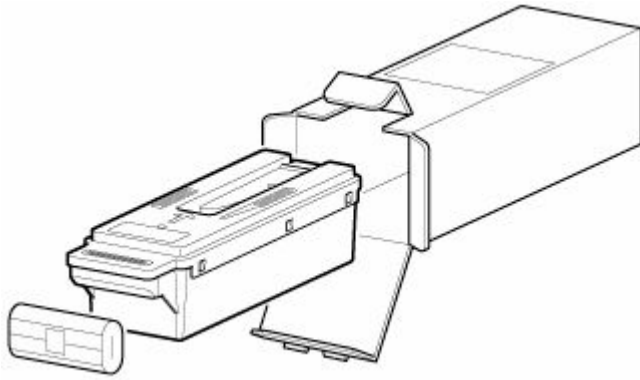
The **Maintenance cartridge info** screen appears.

3. Tap **Replace**.

Instructions for the maintenance cartridge replacement procedure appear on the touch screen.

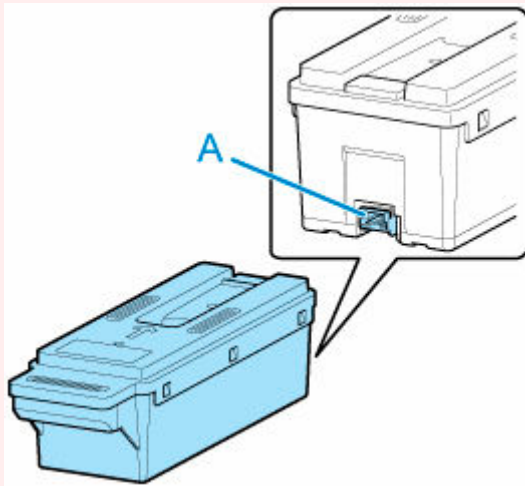
4. Open box, and remove plastic bag and maintenance cartridge.



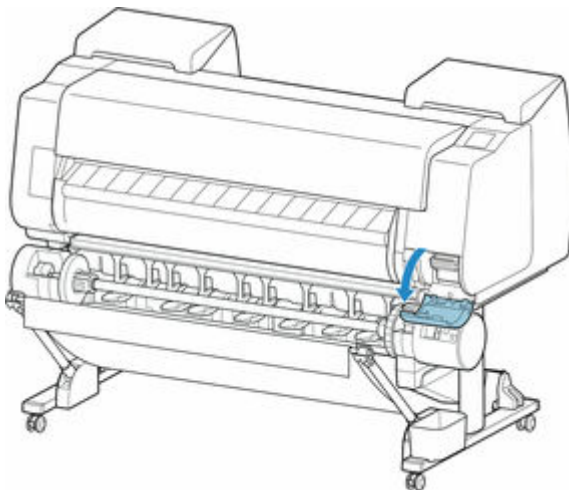


**»» Important**

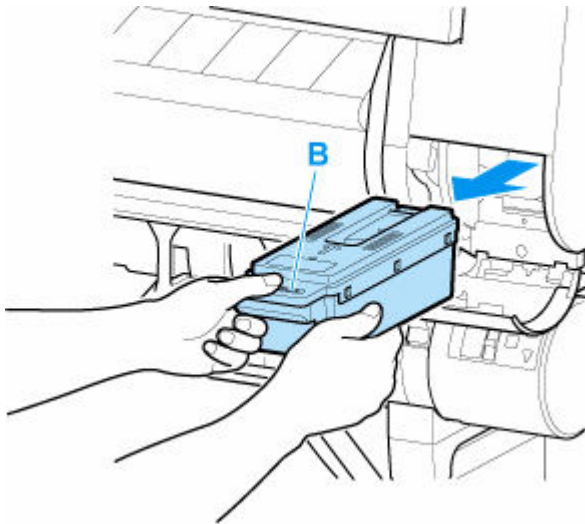
- Never touch the metal contacts (A). This may damage the maintenance cartridge.



5. Open maintenance cartridge cover.



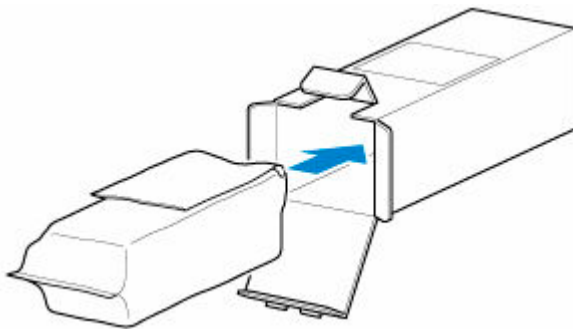
6. Hold the used maintenance cartridge by the grip (B) with one hand and put your other hand under the maintenance cartridge to hold it firmly on the bottom, keeping it level as you pull it out.



### ►► Important

- A used maintenance cartridge is heavy. Always grasp the cartridge firmly and keep the cartridge level during removal. If you drop a used maintenance cartridge or store it at an angle, ink may leak and cause stains.

7. Put used maintenance cartridge in supplied plastic bag and store on flat surface.
8. Check the top and bottom of the maintenance cartridge, place in the box, and store the box on a flat surface.



### ►► Important

- Always put the used maintenance cartridge back in the box and store the box on a flat surface.

### ►► Note

- Dispose of the used maintenance cartridge in accordance with local regulations.

9. Wipe away any soiling on the maintenance cartridge cover.

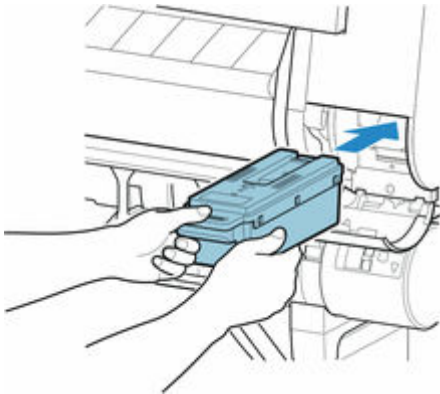


**»» Important**

- Support the maintenance cartridge cover from underneath as you wipe it.

**10.** Keeping the new maintenance cartridge level, insert it all the way in.

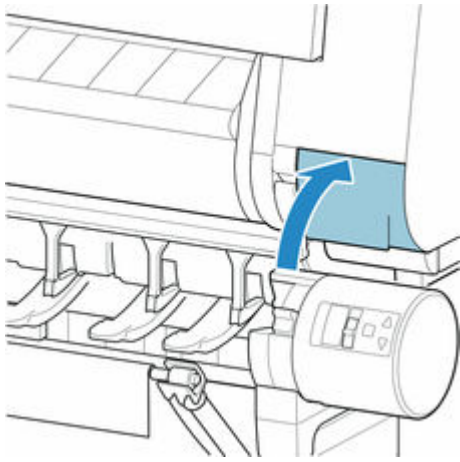
The maintenance cartridge is initialized.



**»» Important**

- Do not remove the maintenance cartridge during initialization immediately after replacing the maintenance cartridge. The maintenance cartridge may become damaged.

**11.** Close maintenance cartridge cover.



## Checking the Remaining Maintenance Cartridge Capacity

The maintenance cartridge absorbs excess ink from borderless printing and print head cleaning. You can confirm the remaining capacity of the maintenance cartridge by checking the touch screen.

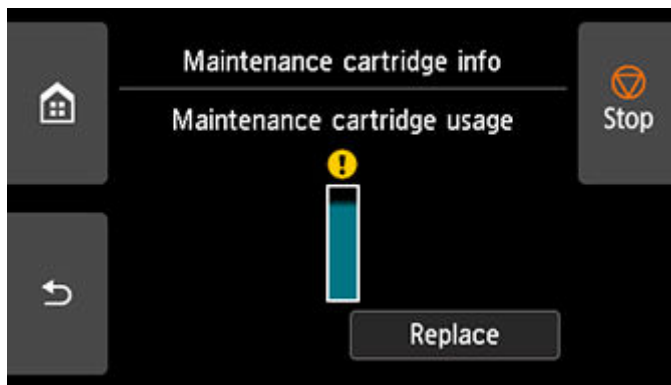
1. Tap **Maintenance** on HOME screen.

➔ [Home Screen Menu Composition](#)

The **Maintenance** screen appears.

2. Tap **Maintenance cartridge info**.

The **Maintenance cartridge info** screen appears.



If the touch screen indicates to replace the maintenance cartridge, replace the maintenance cartridge.

If a message appears indicating to check the remaining capacity of the maintenance cartridge, or before tasks that deplete much of the capacity such as head cleaning or preparations to move the printer, check the remaining maintenance cartridge capacity and prepare a new maintenance cartridge as needed.

➔ [Replacing the Maintenance Cartridge](#)

## When to Replace the Maintenance Cartridge

---

Replace or prepare to replace the maintenance cartridge in the following situations.

- **If maintenance cartridge confirmation message appears on touch screen**

When the maintenance cartridge is almost used up, the **Status** lamp lights orange and a notification message will appear on the touch screen. You can continue to print, but check the remaining maintenance cartridge capacity and prepare to replace the maintenance cartridge with a new one.

➔ [Checking the Remaining Maintenance Cartridge Capacity](#)

- **When the maintenance cartridge capacity is drastically depleted**

Print head cleaning, print head replacement, and preparations to transfer the printer deplete much of the maintenance cartridge capacity. (In particular, preparing to move the printer depletes a lot of the capacity.)

Check the remaining maintenance cartridge capacity before this maintenance and replace the maintenance cartridge if necessary.

➔ [Checking the Remaining Maintenance Cartridge Capacity](#)

- **If message for maintenance cartridge replacement appears on touch screen**

When the maintenance cartridge is used up, the **Status** lamp blinks orange, a message regarding maintenance cartridge replacement appears on the touch screen, and printing is disabled. Replace the maintenance cartridge with a new one.

➔ [Replacing the Maintenance Cartridge](#)

## Cutter Blade

---

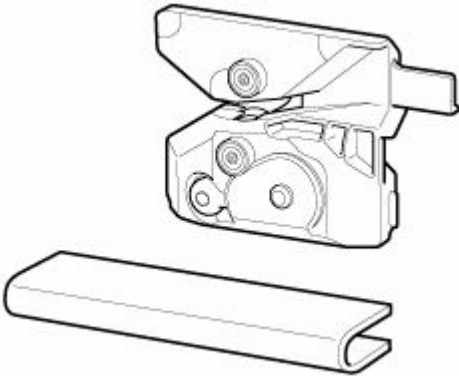
- Cutter Blade
- Replacing the Cutter Blade

## Cutter Blade

When purchasing, check the Model number.

This cutter blade comes with a part for securing the cutter blade during installation.

**Model number: CT-07**



### ►► Note

- For instructions on replacing the cutter blade, see [Replacing the Cutter Blade](#).



# Replacing the Cutter Blade

## Compatible Cutter Blade

For details on compatible cutter blade, see [Cutter Blade](#).

## How to Replace Cutter Blade

### ▶▶ Important

- The cutter blade can not be replaced if there is paper in the moving range of the cutter. Remove the paper.

#### 1. Tap **Maintenance** on HOME screen.

➔ [Home Screen Menu Composition](#)

The **Maintenance** screen appears.

#### 2. Tap **Replace cutter blade unit**.

A confirmation message appears.

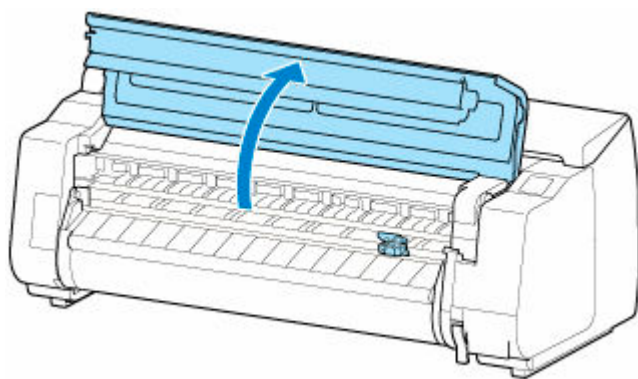
#### 3. Tap **Yes**.

The carriage moves and after it stops moving, instructions for the cutter blade replacement procedure appear on the touch screen.

### ▶▶▶ Note

- If you do not take action within 2 minutes, cutter blade replacement is canceled. In this case, start over replacement from the beginning.

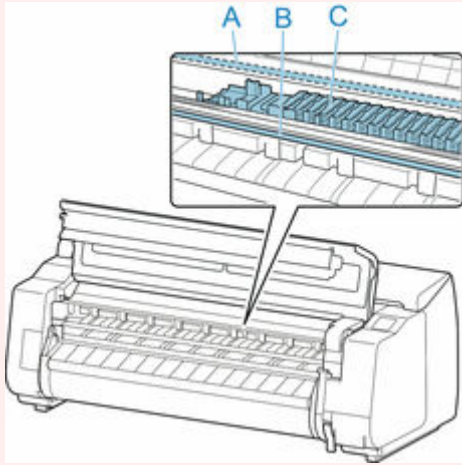
#### 4. Open top cover.



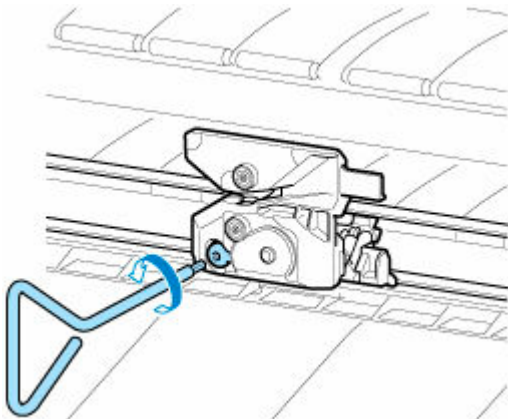
#### 5. If cutter blade is dirty, use damp cloth that you have wrung out completely to wipe it clean.

**»» Important**

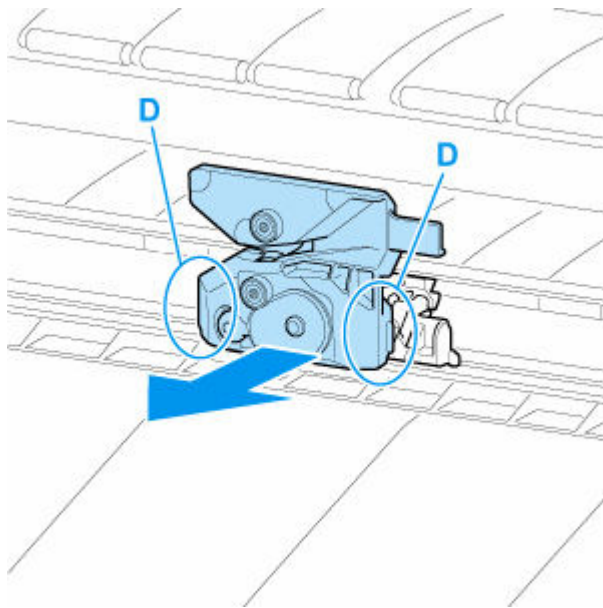
- Do not use tissue paper, paper towels, rough-textured cloth, or similar materials for cleaning so as not to scratch the surface.
- Do not touch the linear scale (A), carriage shaft (B), or ink tube stabilizer (C). Touching these may cause malfunction.



- 6.** Turn hex screw with hex wrench until loose.



- 7.** Remove cutter blade while holding D.



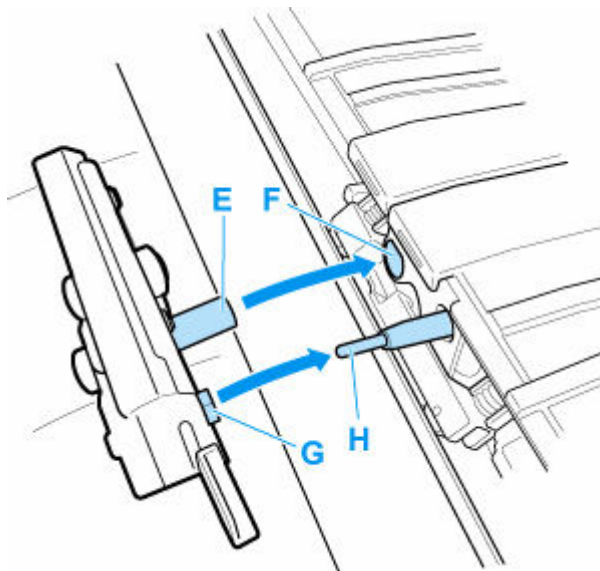
**⚠ Caution**

- Never touch any part other than D. This may stain your hands or cause injury. Additionally, this may damage the printer.
- Do not disassemble the cutter blade. Touching the blade may cause injury.

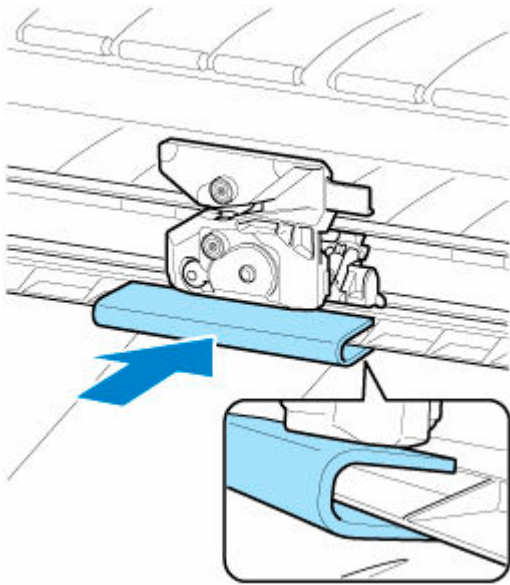
**➤➤ Note**

- Dispose of the used cutter blade in accordance with local regulations.

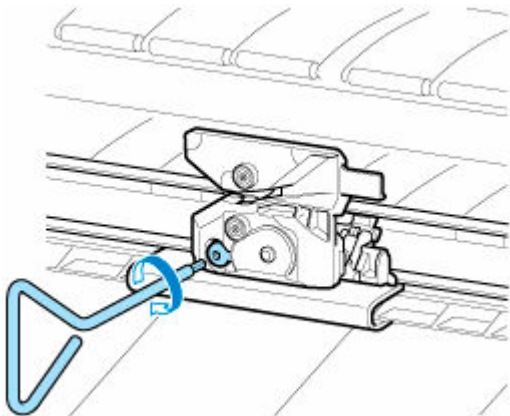
**8.** Install new cutter blade while aligning E to F and G to H.



**9.** Install while aligning fixing part included with replacement cutter blade with center of cutter blade.



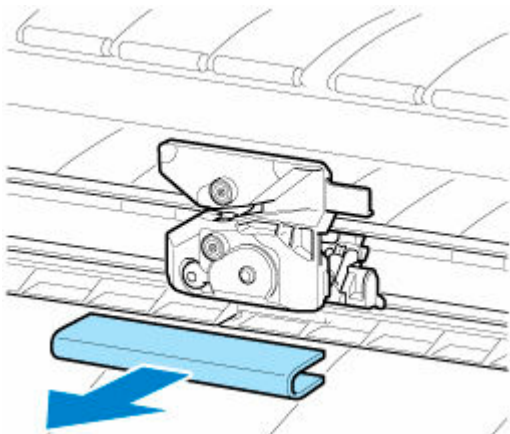
10. Turn hex screw until securely fixed.



**»» Important**

- After the cutter blade is secured, check that the cutter blade does not come off. If the cutter blade comes off, this may damage the printer.

11. Remove fixing part.

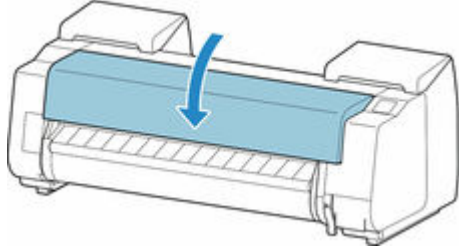


**»» Important**

- Always remove the fixing part. Operating with the part installed may damage the printer.

**12. Close top cover.**

A confirmation message will appear.



**13. Tap Yes.**

## **Performing Maintenance Functions from Your Computer (macOS)**

---

- **Opening Remote UI for Maintenance**
- **Cleaning the Print Heads**
- **Printing a Nozzle Check Pattern**

## Opening Remote UI for Maintenance

---

You can perform maintenance of printer and change the settings from a Remote UI. The following is the procedure to open a Remote UI.

1. Open **System Preferences**, and select **Printers & Scanners**
2. Select your model from the printer list, and click **Options & Supplies...**
3. Click **Show Printer Webpage...** in **General** tab

Remote UI starts.

### ▶▶▶ Note

- The password may have to be entered after Remote UI starts. In such a case, enter the password and click **OK**. In case you do not know the password, see "Password and Cookie."

## Related Topics

- ➔ [Cleaning the Print Heads](#)
- ➔ [Printing a Nozzle Check Pattern](#)
- ➔ [Checking the Ink Status from Your Computer](#)
- ➔ [Updating Media Information in Printer Driver](#)
- ➔ [Correcting Media Information in Printer Driver \(When Printer Used in Shared Environment\)](#)
- ➔ [Confirm the Printer Paper Information](#)

## Cleaning the Print Heads

The print head cleaning and Cleaning functions allow you to clear up clogged print headnozzle. Perform print head cleaning if printing is faint or a specific color fails to print, even though there is enough ink. If you perform Cleaning and the condition still does not improve, perform system cleaning.

The procedure for cleaning is as follows:

### Cleaning

1. Select **Utilities** from [Remote UI](#)

2. Click **Cleaning**

Before running the cleaning, check the following items:

Check that the printer power is on. Then open the Ink Tank Cover.

Check the following items for each ink. Then, if necessary, perform **Cleaning**.

- [Is there ink remaining in the tank?](#)
- Is the ink tank attached properly?  
If the Ink Lamp is not lit, remove it and attach it again.
- Did you install the ink tanks in their correct positions?

3. Execute cleaning

Click **Yes**.

Print head cleaning starts.

4. Check the results

Check the print results.

If cleaning the head once does not resolve the print head problem, clean it once more.

### »» Important

- **Cleaning** consumes a small amount of ink.  
Cleaning the print head frequently will rapidly deplete your printer's ink supply. Consequently, perform cleaning only when necessary.

### Deep Cleaning

**Deep Cleaning** is more thorough than cleaning. Perform deep cleaning when two **Cleaning** attempts do not resolve the print head problem.

1. Select **Utilities** from [Remote UI](#)

2. Click **Deep Cleaning**

Before running the deep cleaning, check the following items:



Check that the printer power is on. Then open the Ink Tank Cover.

Check the following items for each ink. Then, if necessary, perform **Deep Cleaning**.

- [Is there ink remaining in the tank?](#)
- Is the ink tank attached properly?  
If the Ink Lamp is not lit, remove it and attach it again.
- Did you install the ink tanks in their correct positions?

### 3. Execute deep cleaning

Click **Yes**.

Print head deep cleaning starts.

### 4. Check the results

Check the print results.

## »» Important

- **Deep Cleaning** consumes a larger amount of ink than **Cleaning**.  
Cleaning the print head frequently will rapidly deplete your printer's ink supply. Consequently, perform cleaning only when necessary.

## System Cleaning

Execute **System Cleaning** if the status does not improve even after **Deep Cleaning** is performed.

### 1. Select **Utilities** from [Remote UI](#)

### 2. Click **System Cleaning**

Before running the system cleaning, check the following items:

Check that the printer power is on. Then open the Ink Tank Cover.

Check the following items for each ink.

- [Is there ink remaining in the tank?](#)
- Is the ink tank attached properly?  
If the Ink Lamp is not lit, remove it and attach it again.
- Did you install the ink tanks in their correct positions?

In addition, **System Cleaning** consumes an extremely large amount of ink.

Before executing this function, check the items below. Then, if you feel it necessary, execute **System Cleaning**.

- Did you use **Nozzle Check** to check the nozzle status and was there a problem?
- Did the status remain unchanged even after **Deep Cleaning** was executed?

### 3. Execute system cleaning

Click **Yes**.

System cleaning starts.

#### 4. Check the results

Check the print results.

#### ▶▶▶ Important

- **System Cleaning** consumes an extremely large amount of ink. Executing system cleaning frequently will rapidly deplete your printer's ink supply. Therefore, execute system cleaning only when necessary.

#### Related Topic

➔ [Printing a Nozzle Check Pattern](#)

## Printing a Nozzle Check Pattern

The nozzle check function allows you to check whether the print head is working properly by printing a nozzle check pattern. Print the pattern if printing becomes faint, or if a specific color fails to print.

The procedure for printing a nozzle check pattern is as follows:

### Nozzle Check

1. Select **Utilities** from [Remote UI](#)

2. Click **Nozzle Check**

Before printing the nozzle check pattern, check the following items:

Check that the printer power is on. Then open the Ink Tank Cover.

Check the following items for each ink. Then, if necessary, perform **Nozzle Check**.

- [Is there ink remaining in the tank?](#)
- Is the ink tank attached properly?  
If the Ink Lamp is not lit, remove it and attach it again.
- Did you install the ink tanks in their correct positions?

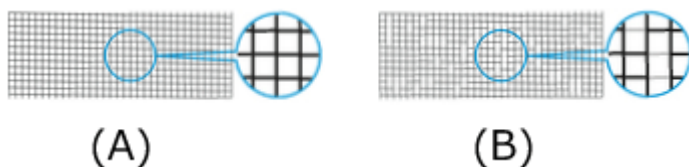
3. Print a nozzle check pattern

Click **Yes**.

Printing of the nozzle check pattern begins.

4. Check the print result

Check the print result.



(A) As long as the horizontal lines are in line, and not missing, the nozzle is working normally.

(B) Where the horizontal lines are not in line or are missing, the color nozzle is blocked.

From the nozzle check pattern printing results, if it becomes patchy or there are areas that cannot be printed, clean the print heads from **Cleaning**.

### Related Topic

➔ [Cleaning the Print Heads](#)

## **Cleaning the Printer**

---

- **Cleaning the Printer Exterior**
- **Cleaning Inside the Top Cover**
- **Cleaning the Roll Unit**
- **Cleaning the Print Head**

## Cleaning the Printer Exterior

Clean the printer regularly to maintain better printing quality and help prevent problems.

To ensure a comfortable working environment, clean the printer exterior about once a month.

### ►► Important

- When the sensor of the feed slot is dirty, the printer might not perform auto feeding properly. Even if the sensor seems clean, we recommend cleaning it because it may have paper dust on it.

#### 1. Turn printer off.

➔ [Turning the Printer On and Off](#)

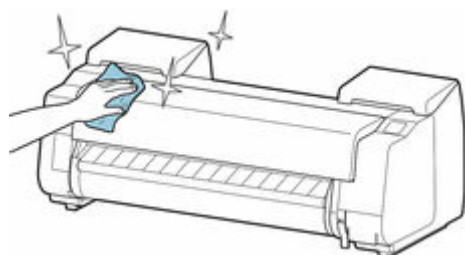
#### 2. Unplug power cord from outlet.

#### ⚠ Caution

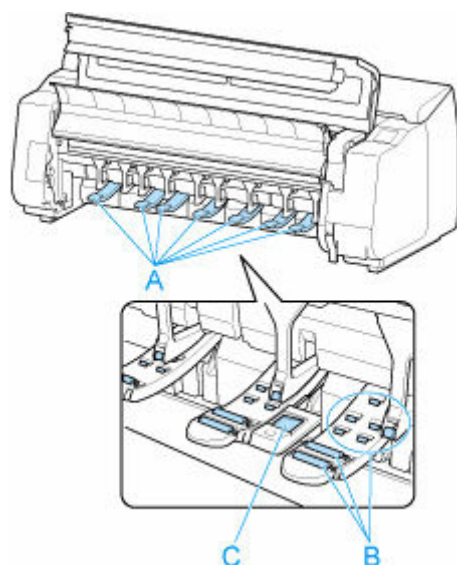
- Always turn off the printer and unplug the power cord before cleaning or maintenance. Accidentally leaving the printer on poses a risk of injury if you touch moving parts inside the printer.

#### 3. Wring out soft cloth with water or watered-down neutral detergent, and use it to wipe off dirt.

Clean the printer exterior and the power cord plug.



Open the top cover and output guide and clean parts that come in contact with paper (A, B), sensor (C) and window on the back side of the top cover.



## Warning

---

- Never use flammable solvents such as alcohol, benzine, or thinner. If these substances come into contact with electrical components inside the printer, there is a risk of fire or electrical shock.
- 

## Important

- If the output guide is dirty, it may soil the edge of the paper when the paper is cut. We recommend cleaning the output guide even if it does not appear dirty, because it may actually be covered with paper dust.
  - ➡ [Cleaning Inside the Top Cover](#)
- Do not use tissue paper, paper towels, rough-textured cloth, or similar materials for cleaning so as not to scratch the surface.
- When neutral detergent is used, be sure to wipe off the detergent with soft cloth with water.

4. When dirt is wiped off, wipe off water with dry soft cloth.

5. Plug power cord into outlet.

## Cleaning Inside the Top Cover

Clean inside the top cover about once a month to maintain better printing quality and help prevent problems.

Also clean inside the top cover in the following situations to ensure optimal operation.

- If the printed surface or the underside of paper is dirty after printing
- After you have used up a roll
- After borderless printing
- After printing on small paper
- After printing on paper that generates a lot of cutting debris
- If you have replaced the roll
- After printing on paper that generates a lot of paper dust
- After printing on adhesive paper

### »» Important

- If the platen inside the top cover becomes dirty, it may soil the underside of paper. We recommend cleaning the platen after borderless printing or printing on small paper.
- If the output guide is dirty, it may soil the edge of the paper when the paper is cut. We recommend cleaning the output guide even if it does not appear dirty, because it may actually be covered with paper dust.
- Printing on adhesive paper may leave adhesive on the platen, paper retainer, or other parts. To prevent paper jams, we recommend cleaning inside the top cover after printing.
- Cleaning may not be performed if there is paper in the cleaning area. Remove the paper.

#### 1. Tap **Maintenance** on HOME screen.

➔ [Home Screen Menu Composition](#)

The **Maintenance** screen appears.

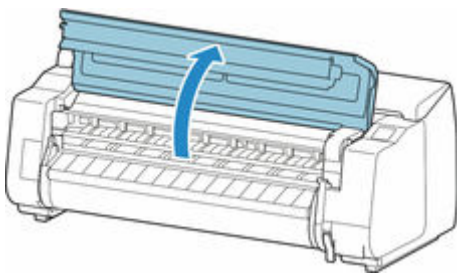
#### 2. Tap **Platen cleaning**.

A confirmation message appears.

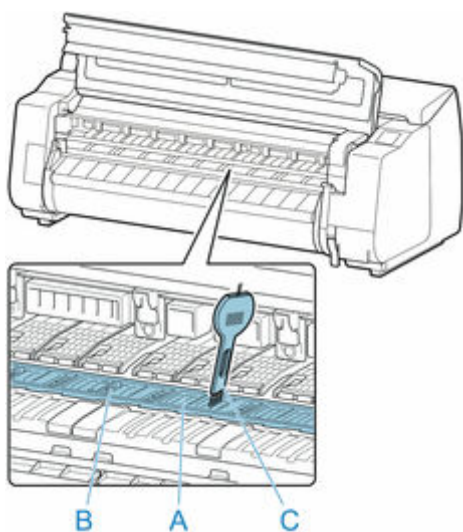
#### 3. Tap **Yes**.

The carriage moves and after it stops moving, instructions appear on the touch screen.

#### 4. Open top cover.

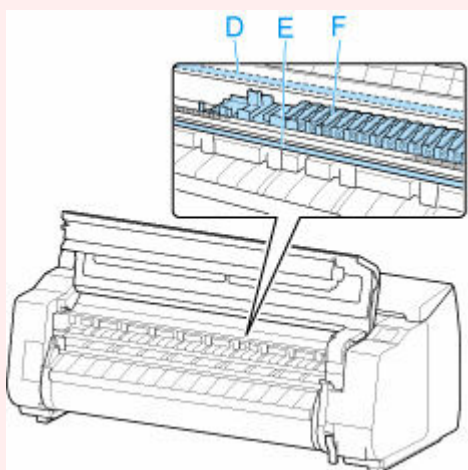


5. If paper dust has accumulated in vacuum holes (A) on platen or in ink grooves (B), use cleaning brush (C), provided with printer, to wipe it away.



### ►► Important

- Do not touch the linear scale (D), carriage shaft (E), or ink tube stabilizer (F). Touching these may cause malfunction.



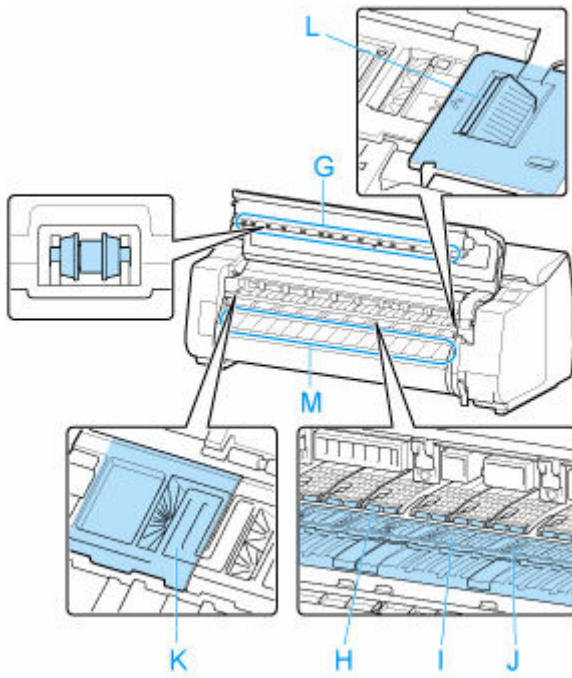
### ►► Note

- If the cleaning brush is dirty, rinse it in water.

6. Using a damp cloth that you have wrung out completely, wipe inside the top cover to clean it.

Wipe away any ink residue and paper dust (debris from cutting) on top cover roller (G), paper retainer (H), entire platen (I), ink grooves (J, K, L) and its surroundings, output guide (M), and so on.





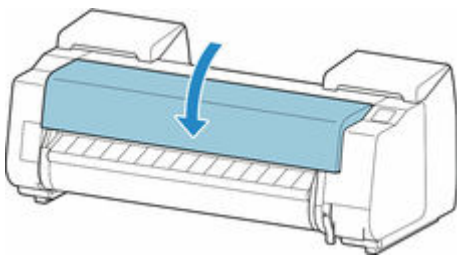
### **⚠ Warning**

- Never use flammable solvents such as alcohol, benzene, or thinner. If these substances come into contact with electrical components inside the printer, there is a risk of fire or electrical shock.

### **▶▶ Important**

- Do not use a dry cloth to wipe inside the top cover. This may create a static charge, which may attract dust and affect the printing quality.
- Do not use tissue paper, paper towels, rough-textured cloth, or similar materials for cleaning so as not to scratch the surface.

7. Close top cover.



## Cleaning the Roll Unit

About once a month, clean the roll unit to ensure optimal operation.

### ►► Important

- When the sensor of the feed slot is dirty, the printer might not perform auto feeding properly. Even if the sensor seems clean, we recommend cleaning it because it may have paper dust on it.

1. Remove any roll paper loaded in roll unit.

➔ [Removing the Lower Roll from the Roll Unit \(Option\)](#)

2. Turn printer off.

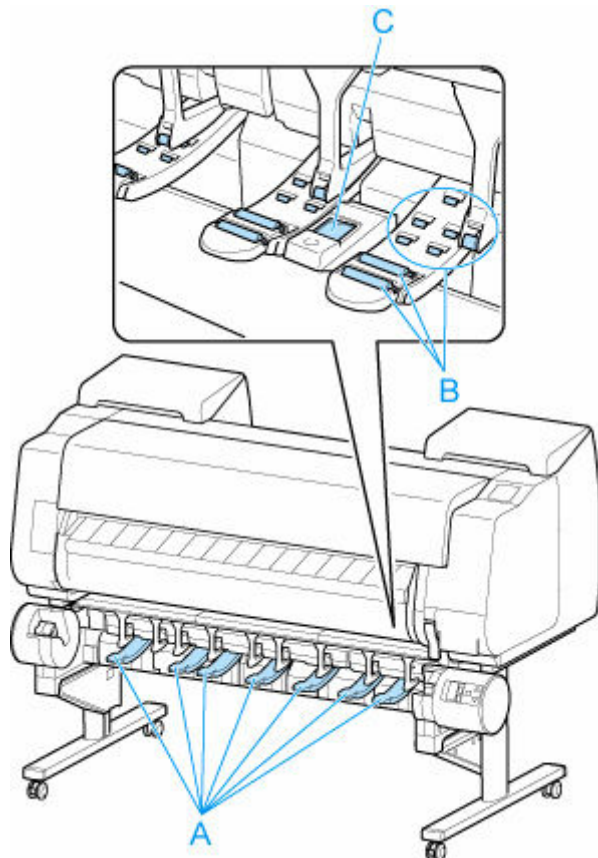
➔ [Turning the Printer On and Off](#)

3. Unplug power cord from outlet.

### ⚠ Caution

- Always turn off the printer and unplug the power cord before cleaning or maintenance. Accidentally leaving the printer on poses a risk of injury if you touch moving parts inside the printer.

4. Wipe away any residue and paper dust from areas (A, B) that come in contact with paper and sensor (C) with a thoroughly wrung out damp cloth, and wipe dry with a dry cloth.



 **Warning**

---

- Never use flammable solvents such as alcohol, benzine, or thinner. If these substances come into contact with electrical components inside the roll unit, there is a risk of fire or electrical shock.
- 

5. Plug power cord into outlet.

## **Other Maintenance**

---

- **Preparing to Transfer the Printer**
- **Reinstalling the Printer**
- **Firmware update**

## Preparing to Transfer the Printer

To protect the internal parts in transit, always follow these steps before transferring the printer to a new location.

For details on installing the printer after transfer, see [Reinstalling the Printer](#).

### ▶▶▶ Important

- Be sure to contact your Canon dealer before transferring the printer to a new location. Ink may leak and damage the printer if you do not prepare the printer correctly and it is tipped or stood on end in transit.
- When moving the printer, make sure that the basket does not rub against the floor. If the basket rubs on the floor, it may get dirty or damaged.
- When you select **Prepare to move**, any registered web services will be canceled. After moving your printer, set up your web services again.

➔ [Web service setup](#)

### ▶▶▶ Note

- The maintenance cartridge replacement may be required when you execute the **Prepare to move** menu. Prepare the maintenance cartridge in advance while referring below. The number of maintenance cartridge required varies depending on the amount remaining in the maintenance cartridge being used.
- If you can move the printer in a level state using casters or something similar, you do not need to execute **Prepare to move**.
- Always follow the instructions of the service representative when preparing to transfer the printer.

The following lists transport restrictions by type of transport.

#### Move indoors on the same floor

Usage Examples: Move indoors by carrying

- Transport and storage in low temperature environments: No
- Permitted angle of inclination: All directions: within 30°
- Required maintenance cartridges: 1-3

#### Move indoors to a different floor

Usage Examples: Moving the printer while temporarily tilting it such as when using the stairs

- Transport and storage in low temperature environments: No
- Permitted angle of inclination: All directions: within 90°
- Required maintenance cartridges: 1-3

#### Transport outdoors

Usage Examples: Transport By Vehicle

- Transport and storage in low temperature environments: Yes
- Permitted angle of inclination: All directions: within 90°
- Required maintenance cartridges: 3

## Preparing for Transportation

### 1. Remove the paper.

- Rolls
  - ➔ [Removing the Upper Roll from the Printer](#)
  - ➔ [Removing the Lower Roll from the Roll Unit \(Option\)](#)
- Sheet
  - ➔ [Removing Sheets](#)

### 2. If touch screen indicates to replace maintenance cartridge, replace maintenance cartridge.

- ➔ [Replacing the Maintenance Cartridge](#)

### 3. Tap **Maintenance** on HOME screen.

- ➔ [Home Screen Menu Composition](#)

The **Maintenance** screen appears.

### 4. Tap **Prepare to move**.

### 5. Tap **Move indoors on the same floor**, **Move indoors to a different floor** or **Transport outdoors**.

A confirmation message appears.

### 6. Tap **Yes**.

The printer is now prepared for transfer.

When the preparation is finished, a message prompting you to open the ink tank cover appears on the touch screen.

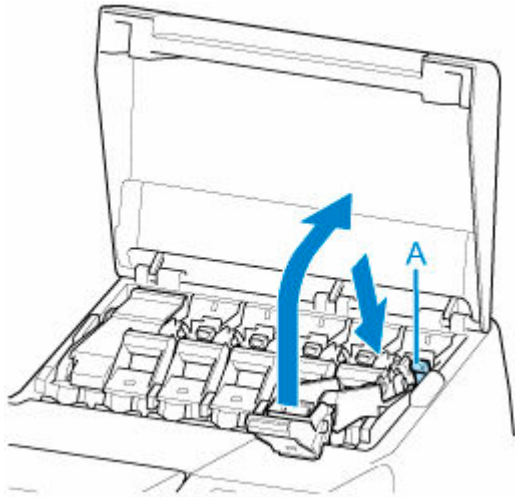
### **Important**

- If consumables must be replaced, a message appears on the touch screen, and preparation is disabled. If the message appears, tap **OK** and contact your Canon dealer for assistance.

### 7. Open ink tank cover to remove all ink tanks.

- ➔ [Replacing Ink Tanks](#)

### 8. Push down release lever (A) as shown as you gently return all ink tank lock levers to their original positions.



**9. Close ink tank cover.**

Ink is now drawn into the maintenance cartridge.

A confirmation message will appear when the process is finished.

**»» Important**

- Do not remove the maintenance cartridge except when the message indicating replacement is displayed.

If you remove the maintenance cartridge while ink is being removed, the ink may leak out.

**10. Press ON button and turn off printer.**

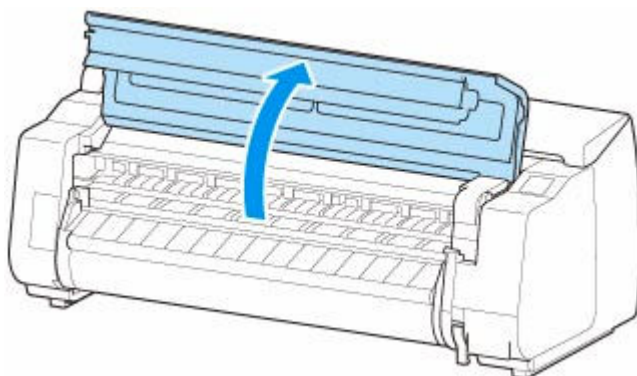
## **Packing Printer**

**1. Disconnect power cord and interface cable.**

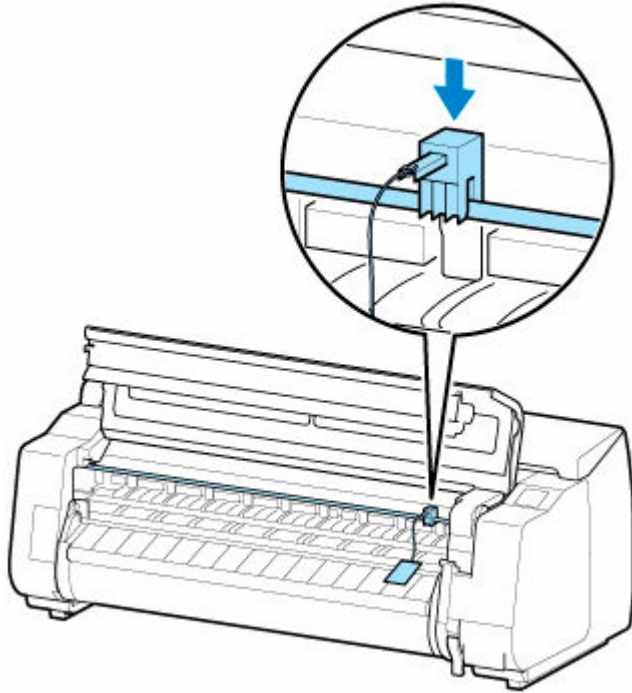
**»» Important**

- Turn off the printer before you unplug it. Unplugging the printer before it is off and moving it may damage the printer. If you accidentally unplug the printer, plug it in again, reinstall the ink tanks, and follow this procedure again.

**2. Open top cover.**

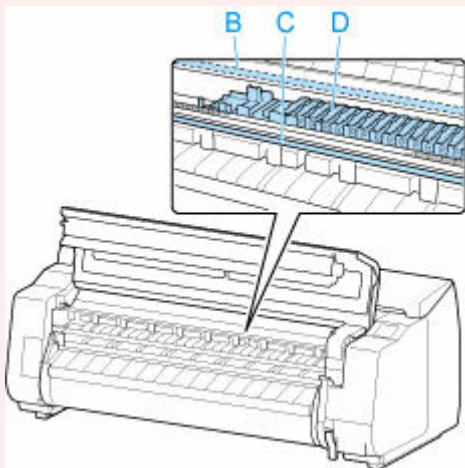


3. Grasp Belt and insert Belt Stopper into position shown.

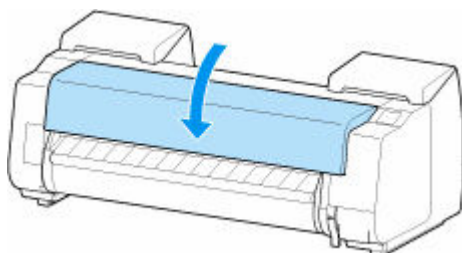


**»» Important**

- Attach the Belt Stopper that was removed and stored after initial installation. Neglecting to attach the Belt Stopper may damage the printer.
- Do not touch the linear scale (B), carriage shaft (C), or ink tube stabilizer (D). Touching these may cause malfunction.

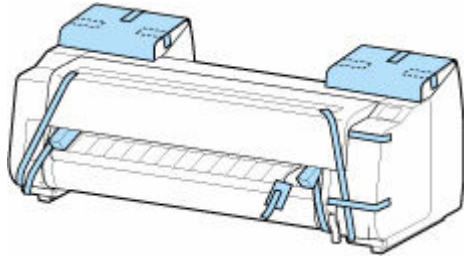


4. Close top cover.





5. Tape down printer covers to secure them, in the reverse order of tape removal during installation.



6. Remove basket by reversing installation procedure.
7. Remove roll unit by reversing installation procedure.
8. Remove the Stand by reversing the installation procedure, when it was attached to the printer.
9. Disassemble and repackage the stand by following the installation procedure in reverse.
10. Repack roll holder, holder stopper, and printer in shipping materials, and then package them in shipping box.

## Reinstalling the Printer

---

The basic workflow for reinstalling the printer is as follows.

For detailed instructions, see the Setup Guide.

### Assemble the stand

1. Referring to the Printer Stand Setup Guide, assemble the Stand.

#### Caution

---

- The Stand must be assembled by at least two people on a flat surface. Attempting assembly by yourself poses a risk of injury or bending the Stand.
  - When assembling the Stand, lock the casters. In addition, always unlock the casters before moving the assembled Stand. Attempting to move the stand when the casters are locked poses a risk of injury or damage to the location site.
- 

### Install the printer

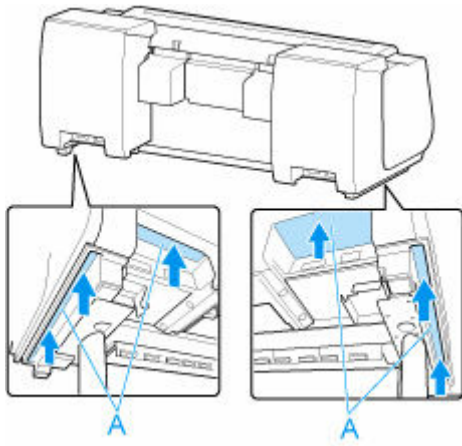
1. Mount the printer on the assembled Stand and tighten the screws firmly.



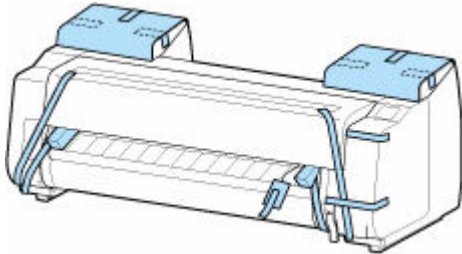
#### Caution

---

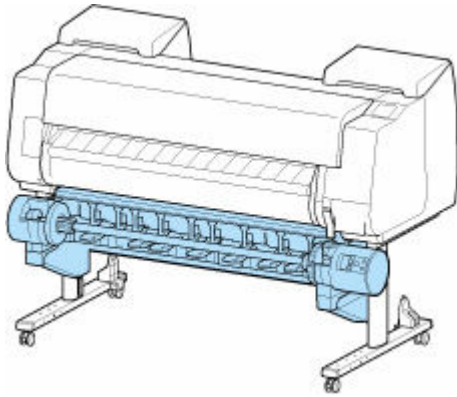
- Moving the printer requires at least six people, holding it on both sides. Be careful to avoid back strain and other injuries.
- When carrying the printer, hold it securely by the carrying grips (A) on the bottom left, right, and rear. The printer may be unsteady if you hold it at other positions, which poses a risk of injury from dropping the printer.



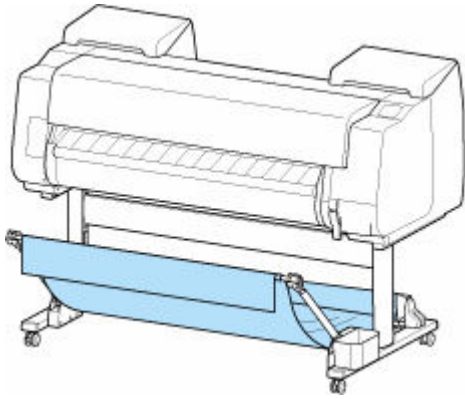
- 
2. Remove tape and packaging material attached to the printer. Also open the top cover and remove stoppers and spacers inside the printer.



3. If using roll unit, refer to Setup Guide provided with roll unit and attach roll unit to Stand.

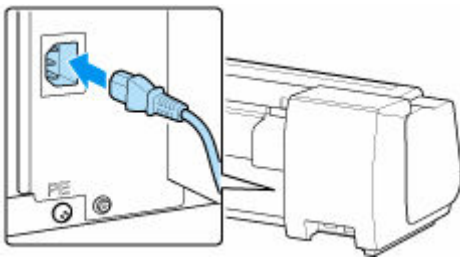


4. If using basket, refer to Printer Stand Setup Guide and attach basket to Stand.

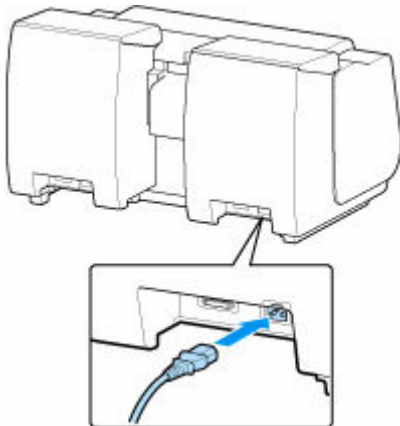


5. Connect the power cord to the power cord connector on the back of the printer.

- GP-4000 / GP-540



- GP-2000 / GP-520



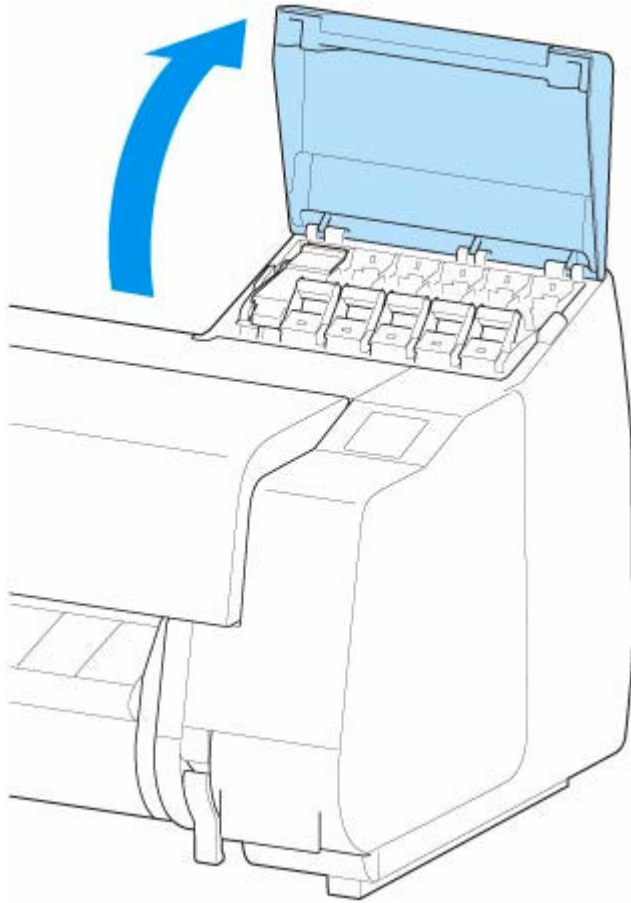
6. Plug the power cord into the outlet.

7. Press the power button to turn the printer on.

When **"Install the printer here? Do not install the ink tanks yet."** appears, tap **Yes**.

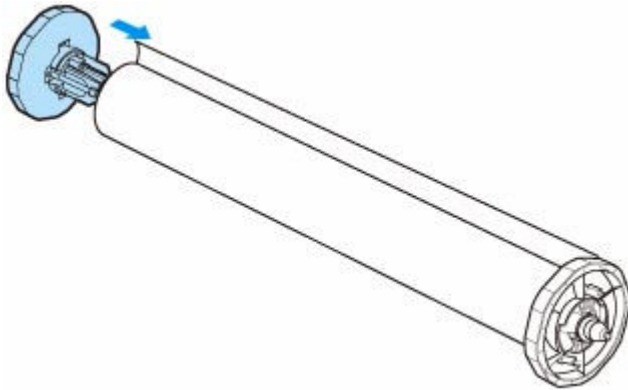
8. When instructions for loading ink tank appear on touch screen, open ink tank cover and load ink tank.

(See "[Replacing Ink Tanks.](#)")



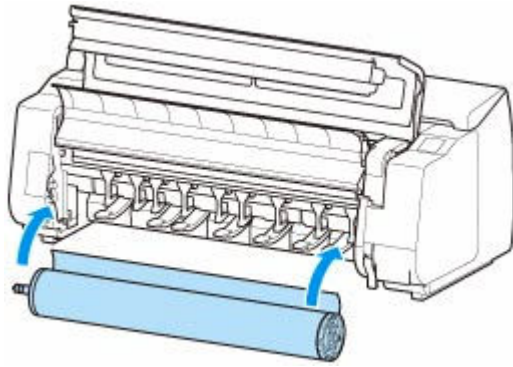
**9.** Attach the Roll Holder to the Roll Media.

(See "[Loading Rolls on the Roll Holder.](#)")



**10.** Load the Roll Media in the printer.

(See "[Loading the Upper Roll on the Printer.](#)")



## 11. Install the software.

Note that the driver installation procedure varies depending on the type of connection.

(See "Installing the Printer Driver" (Windows).)

(See "[Installing the Printer Driver](#)" (macOS).)

### »» Important

- When you select **Prepare to move**, any registered web services will be canceled. After moving your printer, set up your web services again.


➡ [Web service setup](#)

## Firmware update

### »» Important

- When you use this function, make sure the printer is connected to the Internet.
- The administrator password is required to change settings if it is enabled for changing settings using the operation panel.

### Using Operation Panel

1. Tap  **Printer settings** on HOME screen.  
➔ [Home Screen Menu Composition](#)
2. Tap **Firmware update**.  
Enter the password if it is enabled.
3. Tap **Install update**.
4. Tap **Yes**.
5. Confirm displayed message and tap **Start update**.

### Using Remote UI

1. Start up Remote UI.  
➔ [Start up Remote UI](#)
2. Select **Firmware update**.
3. Select **Install update**.
4. Confirm displayed message and select **Update**.

### »» Note

- If the firmware update is not complete, check the following and take an appropriate action.
  - Check the network settings such as a wireless router.
  - If **Cannot connect to the server**. is displayed on the touch screen, select **OK** and try again after a while.

## Specifications

---

- [Specifications](#)
- [Print Area](#)



## Specifications

- ➔ Printer specifications
  - ➔ [GP-4000 / GP-540](#)
  - ➔ [GP-2000 / GP-520](#)
- ➔ [Printing performance](#)
- ➔ [Memory and hard disk](#)
- ➔ [Interface](#)
- ➔ [Network Specifications](#)
- ➔ [Operating Conditions](#)
- ➔ [Ink](#)
- ➔ [Paper](#)

### ▶▶▶ Important

- The following values may vary depending on the operating environment.

## Printer specifications

### GP-4000 / GP-540

<b>Power supply</b>	100-240 V AC (50/60 Hz)
<b>Power consumption</b>	<p><b>When printing:</b> 99 W max. *1</p> <p><b>In Sleep mode:</b> 2.0 W max. *1</p> <p><b>Standby (all ports connected):</b> 2.0 W max.</p> <p><b>When power is off:</b> 0.3 W max. *2</p> <p>*1 Wired LAN connection</p> <p>*2 The printer uses a trace amount of power even when turned off. To stop all power consumption, turn off the printer and unplug the power cord.</p>
<b>Operating environment</b>	<p><b>Temperature:</b> 59 to 86 °F (15 to 30 °C)</p> <p><b>Humidity:</b> 10 to 80 % RH (with no condensation)</p>
<b>Dimensions (W x D x H)</b>	<p><b>Printer only:</b></p> <p>Approx. 62.8 x 28.9 x 24.8 in. (1593 x 734 x 628 mm)</p> <p><b>Printer and Stand (when basket is not used):</b></p> <p>Approx. 62.8 x 30.2 x 46 in. (1593 x 766 x 1168 mm)</p> <p><b>Printer and Stand (when using basket: basket position 1) *:</b></p> <p>Approx. 62.8 x 38.8 x 46 in. (1593 x 984 x 1168 mm)</p> <p><b>Printer and Stand (when using basket: basket position 2/4/5) *:</b></p> <p>Approx. 62.8 x 48.2 x 46 in. (1593 x 1222 x 1168 mm)</p> <p><b>Printer and Stand (when using basket: basket position 3) *:</b></p> <p>Approx. 62.8 x 56.5 x 46 in. (1593 x 1434 x 1168 mm)</p> <p>* For details on the Basket Position, see <a href="#">Example Basket Configurations</a>.</p>

	Stand may not be provided depending on the region where the printer is purchased.
<b>Weight</b>	<p><b>Printer only (without print head and ink tanks):</b> Approx. 233 lb (106 kg)</p> <p><b>Stand and basket:</b> Approx. 40 lb (18 kg)</p> <p><b>Roll unit:</b> Approx. 46 lb (21 kg)</p>
<b>Space for installation (W x D x H)</b>	<p><b>Printer and Stand (when using basket: basket position 1) *:</b> Approx. 78.5 x 66.3 x 61.5 in. (1993 x 1684 x 1560 mm)</p> <p>* For details on the Basket Position, see <a href="#">Example Basket Configurations</a>.</p>

## GP-2000 / GP-520

<b>Power supply</b>	100-240 V AC (50/60 Hz)
<b>Power consumption</b>	<p><b>When printing:</b> 84 W max. *1</p> <p><b>In Sleep mode:</b> 2.0 W max. *1</p> <p><b>Standby (all ports connected):</b> 2.0 W max.</p> <p><b>When power is off:</b> 0.3 W max. *2</p> <p>*1 Wired LAN connection</p> <p>*2 The printer uses a trace amount of power even when turned off. To stop all power consumption, turn off the printer and unplug the power cord.</p>
<b>Operating environment</b>	<p><b>Temperature:</b> 59 to 86 °F (15 to 30 °C)</p> <p><b>Humidity:</b> 10 to 80 % RH (with no condensation)</p>
<b>Dimensions (W x D x H)</b>	<p><b>Printer only:</b> Approx. 43.8 x 28.9 x 24.8 in. (1110 x 734 x 629 mm)</p> <p><b>Printer and Stand (when basket is not used):</b> Approx. 43.8 x 30.2 x 46 in. (1110 x 766 x 1168 mm)</p> <p><b>Printer and Stand (when using basket: basket position 1) *:</b> Approx. 43.8 x 38.8 x 46 in. (1110 x 984 x 1168 mm)</p> <p><b>Printer and Stand (when using basket: basket position 2/4/5) *:</b> Approx. 43.8 x 48.2 x 46 in. (1110 x 1222 x 1168 mm)</p> <p><b>Printer and Stand (when using basket: basket position 3) *:</b> Approx. 43.8 x 56.5 x 46 in. (1110 x 1434 x 1168 mm)</p> <p>* For details on the Basket Position, see <a href="#">Example Basket Configurations</a>.</p> <p>Stand may not be provided depending on the region where the printer is purchased.</p>
<b>Weight</b>	<p><b>Printer only (without print head and ink tanks):</b> Approx. 187 lb (85 kg)</p> <p><b>Stand and basket:</b> Approx. 37 lb (17 kg)</p>

	<b>Roll unit:</b> Approx. 37 lb (17 kg)
<b>Space for installation (W x D x H)</b>	<b>Printer only:</b> Approx. 59.5 x 56.5 x 40.2 in. (1510 x 1434 x 1021 mm) <b>Printer and Stand (when using basket: basket position 1) *:</b> Approx. 59.5 x 66.3 x 61.5 in. (1510 x 1684 x 1560 mm) * For details on the Basket Position, see <a href="#">Example Basket Configurations</a> .

## Printing performance

<b>Print method</b>	Bubblejet
<b>Maximum resolution</b>	2400 dpi (horizontally) * x 1200 dpi (vertically) * Prints with a minimum 1/2400 inch dot pitch between ink droplets.
<b>Print head</b>	PF-10
<b>Number of nozzles</b>	18432 nozzles (1536 nozzles per color)

## Memory and hard disk

<b>Memory</b>	3 GB
<b>Hard disk capacity</b>	500 GB <b>Personal mail boxes (Permanent storage area):</b> 308 GB
<b>Print job storage capacity</b>	<b>Common Box:</b> 100 jobs <b>Personal Boxes:</b> 100 jobs

## Interface

USB and the network can be used at the same time.

You cannot use Wi-Fi and wired LAN at the same time.

<b>USB</b>	Hi-Speed USB * * To use Hi-Speed USB, your computer must support Hi-Speed USB. Additionally, the Hi-Speed USB interface is completely backward compatible with USB 1.1, so the printer can be connected even if the computer interface is USB 1.1.
<b>USB memory</b>	USB flash drive
<b>LAN</b>	<b>Wired LAN:</b> IEEE802.3ab (1000BASE-T) / IEEE802.3u (100BASE-TX) / IEEE802.3 (10BASE-T) <b>Wi-Fi:</b> IEEE802.11n / IEEE802.11g / IEEE802.11b

## Network Specifications

<b>Communication protocol</b>	SNMP, HTTP, TCP/IP (IPv4/IPv6), FTP
<b>Wired LAN specifications</b>	<p><b>Compliance standards:</b> IEEE802.3ab (1000BASE-T) / IEEE802.3u (100BASE-TX) / IEEE802.3 (10BASE-T)</p> <p><b>Transmission speed:</b> 10 Mbps / 100 Mbps / 1000 Mbps (automatically selected)</p> <p><b>Security:</b> IEEE802.1X (EAP-TLS/EAP-TTLS/PEAP)</p>
<b>Wi-Fi specifications</b>	<p><b>Compliance standards:</b> IEEE802.11n / IEEE802.11g / IEEE802.11b</p> <p><b>Frequency range:</b> 2.4 GHz</p> <p><b>Channels:</b> 1-11 or 1-13 *</p> <p>* Varies by country and region.</p> <p><b>Effective range:</b> Indoors 164 feet/50 m *</p> <p>* Varies according to environmental conditions.</p> <p><b>Security:</b></p> <p>WEP (64/128 bits)</p> <p>WPA-PSK (TKIP/AES)</p> <p>WPA2-PSK (TKIP/AES)</p> <p><b>Setup:</b></p> <p>WPS (push button method/PIN code method)</p> <p>Easy wireless connect</p>

## Operating Conditions

If operating conditions of the operating system are high, follow those.

### Windows

<b>Compatible Operating System (Standard supplied printer driver)</b>	<p>Windows 10</p> <p>Windows 8.1</p> <p>Windows 7</p> <p>Windows Server 2019</p> <p>Windows Server 2016</p> <p>Windows Server 2012 R2</p> <p>Windows Server 2012</p> <p>Windows Server 2008 R2</p> <p>Use the latest Service Pack available.</p>
<b>Free hard disk space</b>	20 GB or more

## macOS

<b>Compatible Operating System (Standard supplied printer driver)</b>	macOS High Sierra 10.13.6 - macOS Big Sur 11
<b>Free hard disk space</b>	20 GB or more

## Other Supported OS

iOS, iPadOS, Android

Some functions may not be available with the supported OS.

- An Internet connection is required to use the Online Manual.
- To install the software while using Windows, you must have a CD-ROM drive or a network connection.
- To install the software while using macOS, you must have a network connection.

## Ink

For information on the ink the printer supports, see [Ink Tanks](#).

## Paper

For details on the compatible media types, see Paper Information List.

For details on the paper widths supported by the printer, see [Paper Sizes](#).

For details about Print Area, see [Print Area](#).

## Print Area

A margin required by the printer is added with respect to the size of paper loaded in the printer. Except in borderless printing, the actual printing area corresponds to the paper size minus the space for this margin.

### ▶▶▶ Note

- Printable Area: The area that can be printed.
- For borderless printing with roll paper, the margin is 0 in. (0 mm).
  - ➔ [Printing without Edges Based on the Scenarios \(Windows\)](#)
  - ➔ [Printing without Edges Based on the Scenarios \(macOS\)](#)
- Recommended Print Area: We recommend printing within this area.
- To match the document size with the actual printing area, print on oversize paper with the required margin added.
  - ➔ [Printing to Oversized Paper Sizes \(Windows\)](#)
  - ➔ [Printing to Oversized Paper Sizes \(macOS\)](#)

## Sheets

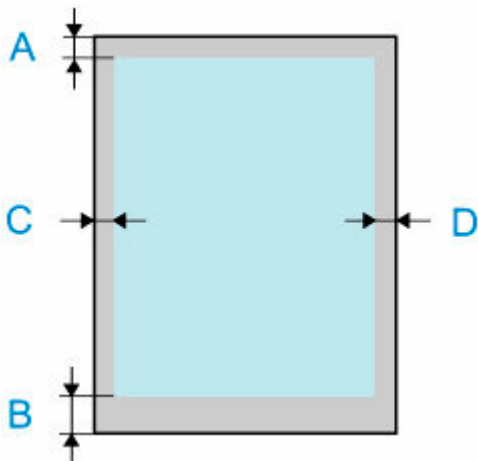
### Printable Area:

A margin of 0.2 in. (3 mm) on top, 0.5 in. (12.7 mm) on bottom\*, and 0.2 in. (3 mm) on left and right sides is required.

### Recommended Print Area:

A margin of 0.8 in. (20 mm) on top, 0.8 in. (20 mm) on bottom\*, and 0.2 in. (3 mm) on left and right sides is required.

\* The bottom margin for cut sheet depends on an OS and applications.



- A: Top Edge
- B: Bottom Edge
- C: Left Edge
- D: Right Edge

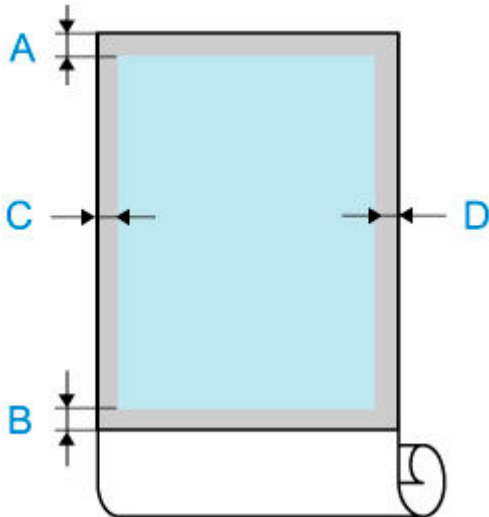
## Rolls

### Printable Area:

A margin of 0.2 in. (3 mm) on top and bottom and 0.2 in. (3 mm) on left and right sides is required. For borderless printing, the margins on top, bottom, left, and right are 0 in. (0 mm). For paper that supports borderless printing, see Paper Information List.

### Recommended Print Area:

A margin of 0.8 in. (20 mm) on top, 0.2 in. (3 mm) on bottom, and 0.2 in. (3 mm) on left and right sides is required.



- A: Top Edge
- B: Bottom Edge
- C: Left Edge
- D: Right Edge





## Appendix

---

- **Manuals and Their Contents**
- **Safety**
- **Online Manual**
- **Using This Online Manual**
- **Trademarks and Licenses**



## Manuals and Their Contents

<b>Quick Guide</b>	Replacing paper, ink tanks, and print head. 
<b>Setup Guide</b>	Installing the printer and software. 
<b>Printer Stand Setup Guide</b>	Assembling the stand. 
<b>Roll Unit Setup Guide</b>	Assembling the roll unit. 

## **Safety**

---

- **Safety Precautions**
- **Regulatory Information**
- **WEEE (EU&EEA)**
- **When Repairing, Lending, or Disposing of the Printer**

## Safety Precautions

---

### Choosing a location

- Never install the printer on an unstable or vibrating surface.
- Do not install the printer in locations that are very humid or dusty, in direct sunlight, outdoors, or close to a heating source.  
To avoid the risk of fire or electric shocks, use the printer under the operating environment specified in the [Specifications](#).
- Do not place the printer on a thick rug or carpet.
- Do not place the printer with its back attached to the wall.
- We recommend ensuring ample space for installation.
- Do not install the printer near sources of strong electromagnetic fields, whether equipment that generates such fields or places where such fields occur.

### Power Supply

- Ensure that the area around the power outlet is kept clear at all times so you can easily unplug the power cord if necessary.
- Never remove the plug by pulling on the cord.  
Pulling the cord may damage the power cord, leading to possible fire or electrical shock.
- Do not use an extension lead/cord.

### Working Around the Printer

- Never put your hands or fingers in the printer while it is printing.
- Firmly grasp the carrying grips on each side in the base. Holding the printer at other positions is dangerous and cause injury and damage if the printer is dropped.
- Use the following number of people to hold the printer when transporting the printer by carrying it. The weight may cause pain such as back pain.  
For the GP-4000, GP-540 : 6 people or more  
For the GP-2000, GP-520 : 6 people or more
- When using and transferring the printer, do not tilt it, stand it on its side, or turn it upside down. There is a risk of the ink spilling.
- When transferring the printer tilted, always perform the steps in "[Preparing to Transfer the Printer](#)" in order to protect the internal structure.
- Do not place any object on the printer. Especially do not place metal objects (paper clips, staples, etc.) or containers of flammable solvents (alcohol, thinners, etc.) on top of the printer.

### Print Heads/Ink Tanks/Maintenance Cartridges

- Keep ink tanks out of the reach of children. In case ink is accidentally licked or swallowed, rinse out mouth or give one or two glasses of water to drink. If irritation or discomfort occurs, obtain medical advice immediately.

- In case ink gets in contact with eyes, rinse with water immediately. In case ink gets in contact with skin, wash with soap and water immediately. If irritation to eyes or skin persists, obtain medical advice immediately.
- Never touch the electrical contacts on a print head after printing.  
The metal parts may be very hot and could cause burns.
- Do not throw ink tanks and maintenance cartridges into fire.
- Do not attempt to disassemble or modify the print head, ink tanks, and maintenance cartridges.
- Avoid dropping or shaking print head, ink tanks, and maintenance cartridges.

## Regulatory Information

### Users in the U.S.A.

FCC Notice (U.S.A. Only)

For 120V, 60Hz model

Model Number: K10549/K10550 (Contains FCC Approved WLAN Module K30357)

Optional parts: Roll Unit RU-23 for GP-2000(K10550)

Optional parts: Roll Unit RU-43 for GP-4000(K10549)

This device complies with Part 15 of the FCC Rules. Operation is subject to the following two conditions:

(1) This device may not cause harmful interference, and (2) this device must accept any interference received, including interference that may cause undesired operation.

Note: This equipment has been tested and found to comply with the limits for a Class B digital device, pursuant to Part 15 of the FCC Rules. These limits are designed to provide reasonable protection against harmful interference in a residential installation. This equipment generates, uses and can radiate radio frequency energy and, if not installed and used in accordance with the instructions, may cause harmful interference to radio communications.

However, there is no guarantee that interference will not occur in a particular installation. If this equipment does cause harmful interference to radio or television reception, which can be determined by turning the equipment off and on, the user is encouraged to try to correct the interference by one or more of the following measures:

- Reorient or relocate the receiving antenna.
- Increase the separation between the equipment and receiver.
- Connect the equipment into an outlet on a circuit different from that to which the receiver is connected.
- Consult the dealer or an experienced radio/TV technician for help.

Use of a shielded cable is required to comply with Class B limits in Subpart B of Part 15 of the FCC Rules.

Do not make any changes or modifications to the equipment unless otherwise specified in the manual. If such changes or modifications should be made, you could be required to stop operation of the equipment.

Changes or modifications not expressly approved by the party responsible for compliance could void the user's authority to operate equipment.

This transmitter must not be co-located or operating in conjunction with any other antenna or transmitter.

The equipment complies with FCC radiation exposure limits for uncontrolled equipment. This equipment should be installed and operated with minimum distance at least 20cm between the radiator and persons body (excluding extremities: hands, wrists, feet and ankles) and must not be colocated or operated with any other antenna or transmitter.

Canon U.S.A., Inc.

One Canon Park

Melville, New York 11747

1-800-652-2666

## **Interference**

Do not use the printer around medical equipment or other electronic devices. Signals from the printer may interfere with the correct operation of these devices.

## WEEE (EU&EEA)

### Only for European Union and EEA (Norway, Iceland and Liechtenstein)



These symbols indicate that this product is not to be disposed of with your household waste, according to the WEEE Directive (2012/19/EU), the Battery Directive (2006/66/EC) and/or national legislation implementing those Directives. If a chemical symbol is printed beneath the symbol shown above, in accordance with the Battery Directive, this indicates that a heavy metal (Hg = Mercury, Cd = Cadmium, Pb = Lead) is present in this battery or accumulator at a concentration above an applicable threshold specified in the Battery Directive. This product should be handed over to a designated collection point, e.g., on an authorized one-for-one basis when you buy a new similar product or to an authorized collection site for recycling waste electrical and electronic equipment (EEE) and batteries and accumulators. Improper handling of this type of waste could have a possible impact on the environment and human health due to potentially hazardous substances that are generally associated with EEE. Your cooperation in the correct disposal of this product will contribute to the effective usage of natural resources. For more information about the recycling of this product, please contact your local city office, waste authority, approved scheme or your household waste disposal service or visit [www.canon-europe.com/weee](http://www.canon-europe.com/weee), or [www.canon-europe.com/battery](http://www.canon-europe.com/battery).

### Nur für Europäische Union und EWR (Norwegen, Island und Liechtenstein)



Diese Symbole weisen darauf hin, dass dieses Produkt gemäß WEEE-Richtlinie (2012/19/EU; Richtlinie über Elektro- und Elektronik-Altgeräte), Batterien-Richtlinie (2006/66/EG) und nationalen Gesetzen zur Umsetzung dieser Richtlinien nicht über den Hausmüll entsorgt werden darf. Falls sich unter dem oben abgebildeten Symbol ein chemisches Symbol befindet, bedeutet dies gemäß der Batterien-Richtlinie, dass in dieser Batterie oder diesem Akkumulator ein Schwermetall (Hg = Quecksilber, Cd = Cadmium, Pb = Blei) in einer Konzentration vorhanden ist, die über einem in der Batterien-Richtlinie angegebenen Grenzwert liegt. Dieses Produkt muss bei einer dafür vorgesehenen Sammelstelle abgegeben werden. Dies kann z. B. durch Rückgabe beim Kauf eines neuen ähnlichen Produkts oder durch Abgabe bei einer autorisierten Sammelstelle für die Wiederaufbereitung von Elektro- und Elektronik-Altgeräten sowie Batterien und Akkumulatoren geschehen. Der unsachgemäße Umgang mit Altgeräten kann aufgrund potenziell gefährlicher Stoffe, die generell mit Elektro- und Elektronik-Altgeräten in Verbindung stehen, negative Auswirkungen auf die Umwelt und die menschliche Gesundheit haben. Durch Ihre Mitarbeit bei der umweltgerechten Entsorgung dieses Produkts tragen Sie zu einer effektiven Nutzung natürlicher Ressourcen bei. Um weitere Informationen über die Wiederverwertung dieses Produkts zu erhalten, wenden Sie sich an Ihre Stadtverwaltung, den öffentlich-rechtlichen Entsorgungsträger, eine autorisierte Stelle für die Entsorgung von Elektro- und Elektronik-Altgeräten

oder Ihr örtliches Entsorgungsunternehmen oder besuchen Sie [www.canon-europe.com/weee](http://www.canon-europe.com/weee), oder [www.canon-europe.com/battery](http://www.canon-europe.com/battery).

## Union Européenne, Norvège, Islande et Liechtenstein uniquement.



Ces symboles indiquent que ce produit ne doit pas être mis au rebut avec les ordures ménagères, comme le spécifient la Directive européenne DEEE (2012/19/UE), la Directive européenne relative à l'élimination des piles et des accumulateurs usagés (2006/66/CE) et les lois en vigueur dans votre pays appliquant ces directives. Si un symbole de toxicité chimique est imprimé sous le symbole illustré ci-dessus conformément à la Directive relative aux piles et aux accumulateurs, il indique la présence d'un métal lourd (Hg = mercure, Cd = cadmium, Pb = plomb) dans la pile ou l'accumulateur à une concentration supérieure au seuil applicable spécifié par la Directive. Ce produit doit être confié au distributeur à chaque fois que vous achetez un produit neuf similaire, ou à un point de collecte mis en place par les collectivités locales pour le recyclage des Déchets des Équipements Électriques et Électroniques (DEEE). Le traitement inapproprié de ce type de déchet risque d'avoir des répercussions sur l'environnement et la santé humaine, du fait de la présence de substances potentiellement dangereuses généralement associées aux équipements électriques et électroniques. Votre entière coopération dans le cadre de la mise au rebut correcte de ce produit favorisera une meilleure utilisation des ressources naturelles. Pour plus d'informations sur le recyclage de ce produit, contactez vos services municipaux, votre éco-organisme ou les autorités locales compétentes, ou consultez le site [www.canon-europe.com/weee](http://www.canon-europe.com/weee), ou [www.canon-europe.com/battery](http://www.canon-europe.com/battery).

## Uitsluitend bestemd voor de Europese Unie en EER (Noorwegen, IJsland en Liechtenstein)



Met deze symbolen wordt aangegeven dat dit product in overeenstemming met de AEEA-richtlijn (2012/19/EU), de richtlijn 2006/66/EG betreffende batterijen en accu's en/of de plaatselijk geldende wetgeving waarin deze richtlijnen zijn geïmplementeerd, niet bij het normale huisvuil mag worden weggegooid. Indien onder het hierboven getoonde symbool een chemisch symbool gedrukt staat, geeft dit in overeenstemming met de richtlijn betreffende batterijen en accu's aan dat deze batterij of accu een zwaar metaal bevat (Hg = kwik, Cd = cadmium, Pb = lood) waarvan de concentratie de toepasselijke drempelwaarde in overeenstemming met de genoemde richtlijn overschrijdt. Dit product dient te worden ingeleverd bij een hiervoor aangewezen inzamelpunt, bijv. door dit in te leveren bij een hiertoe erkend verkooppunt bij aankoop van een gelijksoortig product, of bij een officiële inzameldienst voor de recycling van elektrische en elektronische apparatuur (EEA) en batterijen en accu's. Door de potentieel gevaarlijke stoffen die gewoonlijk gepaard gaan met EEA, kan onjuiste verwerking van dit type afval mogelijk nadelige gevolgen hebben voor het milieu en de menselijke gezondheid. Uw medewerking bij het op juiste wijze weggooiden van dit product draagt bij tot effectief gebruik van natuurlijke hulpbronnen. Voor verdere informatie over recycling van dit product kunt u contact opnemen met uw plaatselijke gemeente,



afvaldienst, officiële dienst voor klein chemisch afval of afvalstortplaats, of kunt u terecht op [www.canon-europe.com/weee](http://www.canon-europe.com/weee), of [www.canon-europe.com/battery](http://www.canon-europe.com/battery).

## Sólo para la Unión Europea y el Área Económica Europea (Noruega, Islandia y Liechtenstein)



Estos iconos indican que este producto no debe desecharse con los residuos domésticos de acuerdo con la Directiva sobre RAEE (2012/19/UE) y la Directiva sobre Pilas y Acumuladores (2006/66/CE) y/o la legislación nacional. Si aparece un símbolo químico bajo este icono, de acuerdo con la Directiva sobre Pilas y Acumuladores, significa que la pila o el acumulador contiene metales pesados (Hg = Mercurio, Cd = Cadmio, Pb = Plomo) en una concentración superior al límite especificado en dicha directiva. Este producto deberá entregarse en un punto de recogida designado, por ejemplo, entregándolo en el lugar de venta al adquirir un producto nuevo similar o en un centro autorizado para la recogida de residuos de aparatos eléctricos y electrónicos (RAEE), baterías y acumuladores. La gestión incorrecta de este tipo de residuos puede afectar al medio ambiente y a la salud humana debido a las sustancias potencialmente nocivas que suelen contener estos aparatos. Su cooperación en la correcta eliminación de este producto contribuirá al correcto aprovechamiento de los recursos naturales. Los usuarios tienen derecho a devolver pilas, acumuladores o baterías usados sin coste alguno. El precio de venta de pilas, acumuladores y baterías incluye el coste de la gestión medioambiental de su desecho, y no es necesario mostrar la cuantía de dicho coste en la información y la factura suministradas a los usuarios finales. Si desea más información sobre el reciclado de este producto, póngase en contacto con su municipio, el servicio o el organismo encargado de la gestión de residuos domésticos o visite [www.canon-europe.com/weee](http://www.canon-europe.com/weee), o [www.canon-europe.com/battery](http://www.canon-europe.com/battery).

## Només per a la Unió Europea i a l'Espai Econòmic Europeu (Noruega, Islàndia i Liechtenstein)



Aquests símbols indiquen que aquest producte no s'ha de llençar amb les escombraries de la llar, d'acord amb la RAEE (2012/19/UE), la Directiva relativa a piles i acumuladors (2006/66/CE) i la legislació nacional que implementi aquestes directives. Si al costat d'aquest símbol hi apareix imprès un símbol químic, segons especifica la Directiva relativa a piles i acumuladors, significa que la bateria o l'acumulador conté un metall pesant (Hg = mercuri, Cd = cadmi, Pb = plom) en una concentració superior al límit aplicable especificat en la Directiva. Aquest producte s'hauria de lliurar en un dels punts de recollida designats, com per exemple, intercanviant un per un en comprar un producte similar o lliurant-lo en un lloc de recollida autoritzat per al reciclatge de residus d'aparells elèctrics i electrònics (RAEE) i piles i acumuladors. La manipulació inadequada d'aquest tipus de residus podria tenir un impacte negatiu en l'entorn i en la salut humana, a causa de les substàncies potencialment perilloses que normalment estan associades a l'RAEE. La vostra cooperació a l'hora de rebutjar correctament aquest producte contribuirà a la utilització efectiva dels recursos naturals. Els usuaris tenen dret a retornar les bateries o

els acumuladors usats sense cap càrrec. El preu de venda de les bateries i els acumuladors inclou el cost de la gestió ambiental dels residus i no es necessari mostrar l'import d'aquest cost en aquest fullet o en la factura que es lliuri a l'usuari final. Per a més informació sobre el reciclatge d'aquest producte, contacteu amb l'oficina municipal, les autoritats encarregades dels residus, el pla de residus homologat o el servei de recollida d'escombraries domèstiques de la vostra localitat o visiteu [www.canon-europe.com/weee](http://www.canon-europe.com/weee), o [www.canon-europe.com/battery](http://www.canon-europe.com/battery).

## Solo per Unione Europea e SEE (Norvegia, Islanda e Liechtenstein)



Questi simboli indicano che il prodotto non può essere smaltito con i rifiuti domestici, ai sensi della Direttiva RAEE (2012/19/UE), della Direttiva sulle Batterie (2006/66/CE) e/o delle leggi nazionali che attuano tali Direttive. Se sotto il simbolo indicato sopra è riportato un simbolo chimico, in osservanza della Direttiva sulle batterie, tale simbolo indica la presenza di un metallo pesante (Hg = Mercurio, Cd = Cadmio, Pb = Piombo) nella batteria o nell'accumulatore con un livello di concentrazione superiore a una soglia applicabile specificata nella Direttiva sulle batterie. Il prodotto deve essere conferito a un punto di raccolta designato, ad esempio il rivenditore in caso di acquisto di un nuovo prodotto simile oppure un centro di raccolta autorizzato per il riciclaggio di rifiuti di apparecchiature elettriche ed elettroniche (RAEE) nonché di batterie e accumulatori. Un trattamento improprio di questo tipo di rifiuti può avere conseguenze negative sull'ambiente e sulla salute umana a causa delle sostanze potenzialmente nocive solitamente contenute in tali rifiuti. La collaborazione dell'utente per il corretto smaltimento di questo prodotto contribuirà a un utilizzo efficace delle risorse naturali ed eviterà di incorrere in sanzioni amministrative ai sensi dell'art. 255 e successivi del Decreto Legislativo n. 152/06. Per ulteriori informazioni sul riciclaggio di questo prodotto, contattare le autorità locali, l'ente responsabile della raccolta dei rifiuti, un rivenditore autorizzato o il servizio di raccolta dei rifiuti domestici, oppure visitare il sito [www.canon-europe.com/weee](http://www.canon-europe.com/weee), o [www.canon-europe.com/battery](http://www.canon-europe.com/battery).

## Apenas para a União Europeia e AEE (Noruega, Islândia e Liechtenstein)



Estes símbolos indicam que este produto não deve ser eliminado juntamente com o seu lixo doméstico, segundo a Diretiva REEE de 2012/19/UE, a Diretiva de Baterias (2006/66/CE) e/ou a sua legislação nacional que transponha estas Diretivas. Se houver um símbolo químico impresso como mostrado abaixo, de acordo com a Diretiva de Baterias, isto indica que um metal pesado (Hg = Mercúrio, Cd = Cádmiio, Pb = Chumbo) está presente nesta pilha ou acumulador, numa concentração acima de um limite aplicável especificado na Diretiva. Este produto deve ser entregue num ponto de recolha designado, por exemplo num local autorizado de troca quando compra um equipamento novo idêntico, ou num local de recolha autorizado para reciclar equipamento elétrico e eletrónico (EEE) em fim de vida, bem como pilhas e baterias. O tratamento inadequado deste tipo de resíduos pode ter um impacto negativo no ambiente e na saúde humana, devido a substâncias potencialmente perigosas que estão associadas

com equipamentos do tipo EEE. A sua cooperação no tratamento correto deste produto irá contribuir para a utilização mais eficaz dos recursos naturais. Para obter mais informações acerca de como reciclar este produto, por favor contacte as suas autoridades locais responsáveis pela matéria, serviço de recolha aprovado para pilhas e baterias ou serviço de recolha de resíduos sólidos domésticos da sua municipalidade, ou visite [www.canon-europe.com/weee](http://www.canon-europe.com/weee), ou [www.canon-europe.com/battery](http://www.canon-europe.com/battery).

## Gælder kun i Europæiske Union og EØS (Norge, Island og Liechtenstein)



Disse symboler betyder, at produktet ikke må bortskaffes sammen med dagrenovation i henhold til WEEE-direktivet (2012/19/EU), batteridirektivet (2006/66/EF) og/eller den lokale lovgivning, som disse direktiver er gennemført i. Hvis der i overensstemmelse med batteridirektivet er trykt et kemisk symbol under det symbol, der er vist ovenfor, betyder det, at batteriet eller akkumulatoren indeholder tungmetaller (Hg = kviksølv, Cd = cadmium, Pb = bly) i en koncentration, som ligger over de grænseværdier, der er beskrevet i batteridirektivet. Produktet skal afleveres på et godkendt indsamlingssted, f.eks. i overensstemmelse med en godkendt én-til-én-procedure, når du indkøber et nyt tilsvarende produkt, eller på et godkendt indsamlingssted for elektronikaffald samt for batterier og akkumulatore. Forkert håndtering af denne type affald kan medføre negative konsekvenser for miljøet og menneskers helbred på grund af de potentielt sundhedsskadelige stoffer, der generelt kan forefindes i elektrisk og elektronisk udstyr. Når du foretager korrekt bortskaffelse af produktet, bidrager du til effektiv brug af naturressourcerne. Kontakt din kommune, den lokale affaldsmyndighed, det lokale affaldsanlæg, eller besøg [www.canon-europe.com/weee](http://www.canon-europe.com/weee), eller [www.canon-europe.com/battery](http://www.canon-europe.com/battery) for at få flere oplysninger om genbrug af dette produkt.

## Μόνο για την Ευρωπαϊκή Ένωση και τον ΕΟΧ (Νορβηγία, Ισλανδία και Λιχτενστάιν)



Αυτά τα σύμβολα υποδεικνύουν ότι αυτό το προϊόν δεν πρέπει να απορρίπτεται μαζί με τα οικιακά απορρίμματα, σύμφωνα με την Οδηγία για τα Απόβλητα Ηλεκτρικού και Ηλεκτρονικού Εξοπλισμού (ΑΗΗΕ) (2012/19/ΕΕ), την Οδηγία για τις Ηλεκτρικές Στήλες (2006/66/ΕΚ) ή/και την εθνική νομοθεσία που εφαρμόζει τις Οδηγίες εκείνες. Εάν κάποιο χημικό σύμβολο είναι τυπωμένο κάτω από το σύμβολο που φαίνεται παραπάνω, σύμφωνα με την Οδηγία για τις Ηλεκτρικές Στήλες, υποδηλώνει ότι κάποιο βαρύ μέταλλο (Hg = Υδράργυρος, Cd = Κάδμιο, Pb = Μόλυβδος) υπάρχει στην μπαταρία ή τον συσσωρευτή σε συγκέντρωση μεγαλύτερη από το ισχύον επίπεδο που καθορίζεται στην Οδηγία για τις Ηλεκτρικές Στήλες. Αυτό το προϊόν πρέπει να παραδίδεται σε καθορισμένο σημείο συλλογής, π.χ. σε μια εξουσιοδοτημένη βάση ανταλλαγής όταν αγοράζετε ένα νέο παρόμοιο προϊόν ή σε μια εξουσιοδοτημένη θέση συλλογής για την ανακύκλωση των αποβλήτων ηλεκτρικού και ηλεκτρονικού εξοπλισμού (ΗΗΕ) και των ηλεκτρικών στηλών και συσσωρευτών. Ο ακατάλληλος χειρισμός αυτού του τύπου αποβλήτων μπορεί να έχει αρνητικό αντίκτυπο στο περιβάλλον και την υγεία του ανθρώπου, λόγω δυνητικά επικίνδυνων ουσιών

που γενικά συνδέονται με τον ΗΗΕ. Η συνεργασία σας για τη σωστή απόρριψη αυτού του προϊόντος θα συμβάλει στην αποτελεσματική χρήση των φυσικών πόρων. Για περισσότερες πληροφορίες σχετικά με ανακύκλωση αυτού του προϊόντος, επικοινωνήστε με το τοπικό γραφείο της πόλης σας, την υπηρεσία απορριμμάτων, το εγκεκριμένο σχήμα ή την υπηρεσία απόρριψης οικιακών αποβλήτων ή επισκεφθείτε τη διεύθυνση [www.canon-europe.com/weee](http://www.canon-europe.com/weee) ή [www.canon-europe.com/battery](http://www.canon-europe.com/battery).

## Gjelder kun den europeiske union og EØS (Norge, Island og Liechtenstein)



Disse symbolene indikerer at dette produktet ikke skal kastes sammen med husholdningsavfall, i henhold til WEEE-direktivet (2012/19/EU), batteridirektivet (2006/66/EF) og/eller nasjonal lov som har implementert disse direktivene. Hvis et kjemisk symbol vises under symbolet vist ovenfor, i samsvar med batteridirektivet, indikerer dette at et tungmetall (Hg = kvikksølv, Cd = kadmium, Pb = bly) finnes i batteriet eller akkumulatoren i en konsentrasjon over en gjeldende øvre grense som er spesifisert i batteridirektivet. Produktet må leveres til et dertil egnet innsamlingspunkt, det vil si på en autorisert en-til-en-basis når en kjøper et nytt lignende produkt, eller til et autorisert innsamlingssted for resirkulering av avfall fra elektrisk og elektronisk utstyr (EE-utstyr) og batterier og akkumulatører. Feil håndtering av denne typen avfall kan være miljø- og helseskadelig på grunn av potensielt skadelige stoffer som ofte brukes i EE-utstyr. Din innsats for korrekt avhending av produktet vil bidra til effektiv bruk av naturressurser. Du kan få mer informasjon om resirkulering av dette produktet ved å kontakte lokale myndigheter, avfallsadministrasjonen, et godkjent program eller husholdningens renovasjonsselskap, eller gå til [www.canon-europe.com/weee](http://www.canon-europe.com/weee), eller [www.canon-europe.com/battery](http://www.canon-europe.com/battery).

## Vain Euroopan unionin sekä ETA:n (Norja, Islanti ja Liechtenstein) alueelle.



Nämä tunnukset osoittavat, että sähkö- ja elektroniikkalaiteromua koskeva direktiivi (SER-direktiivi, 2012/19/EU), paristoista ja akuista annettu direktiivi (2006/66/EY) sekä kansallinen lainsäädäntö kieltävät tuotteen hävittämisen talousjätteen mukana. Jos yllä olevan symbolin alapuolelle on paristodirektiivin mukaisesti painettu kemiallisen aineen tunnus, kyseinen paristo tai akku sisältää raskasmetalleja (Hg = elohopea, Cd = kadmium, Pb = lyijy) enemmän kuin paristodirektiivin salliman määrän. Tuote on vietävä asianmukaiseen keräyspisteeseen, esimerkiksi kodinkoneliikkeeseen uutta vastaavaa tuotetta ostettaessa tai viralliseen sähkö- ja elektroniikkalaiteromun tai paristojen ja akkujen keräyspisteeseen. Sähkö- ja elektroniikkalaiteromun virheellinen käsittely voi vahingoittaa ympäristöä ja ihmisten terveyttä, koska laitteet saattavat sisältää ympäristölle ja terveydelle haitallisia aineita. Tuotteen asianmukainen hävittäminen säästää myös luonnonvaroja. Jos haluat lisätietoja tämän tuotteen kierrätyksestä, ota yhteys kunnan jätehuoltoviranomaisiin tai käyttämäsi jätehuoltoyhtiöön tai käy osoitteessa [www.canon-europe.com/weee](http://www.canon-europe.com/weee), tai [www.canon-europe.com/battery](http://www.canon-europe.com/battery).

## Endast för Europeiska unionen och EES (Norge, Island och Liechtenstein)



De här symbolerna visar att produkten inte får sorteras och slängas som hushållsavfall enligt WEEE-direktivet (2012/19/EU), batteridirektivet (2006/66/EG) och/eller nationell lagstiftning som implementerar dessa direktiv. Om en kemisk symbol förekommer under ovanstående symbol innebär detta enligt Batteridirektivet att en tungmetall (Hg = Kvicksilver, Cd = Kadmium, Pb = Bly) förekommer i batteriet eller ackumulatorn med en koncentration som överstiger tillämplig gräns som anges i Batteridirektivet. Produkten ska lämnas in på en avsedd insamlingsplats, t.ex. på en återvinningsstation auktoriserad att hantera elektrisk och elektronisk utrustning (EE-utrustning) samt batterier och ackumulatörer eller hos handlare som är auktoriserade att byta in varor då nya, motsvarande köps (en mot en). Olämplig hantering av avfall av den här typen kan ha negativ inverkan på miljön och människors hälsa på grund av de potentiellt farliga ämnen som kan återfinnas i elektrisk och elektronisk utrustning. Din medverkan till en korrekt avfallshantering av produkten bidrar till effektiv användning av naturresurserna. Om du vill ha mer information om var du kan lämna in den här produkten, kontakta ditt lokala kommunkontor, berörd myndighet eller företag för avfallshantering eller se [www.canon-europe.com/weee](http://www.canon-europe.com/weee), eller [www.canon-europe.com/battery](http://www.canon-europe.com/battery).

## Pouze Evropská unie a EHP (Norsko, Island a Lichtenštejnsko)



Tento symbol znamená, že podle směrnice OEEZ (2012/19/EU), směrnice o bateriích (2006/66/ES) a/ nebo podle vnitrostátních právních prováděcích předpisů k těmto směrnici nemá být tento výrobek likvidován s odpadem z domácností. Je-li v souladu s požadavky směrnice o bateriích vytištěna pod výše uvedeným symbolem chemická značka, udává, že tato baterie nebo akumulátor obsahuje těžké kovy (Hg = rtuť, Cd = kadmium, Pb = olovo) v koncentraci vyšší, než je příslušná hodnota předepsaná směrnici. Tento výrobek má být vrácen do určeného sběrného místa, např. v rámci autorizovaného systému odběru jednoho výrobku za jeden nově prodaný podobný výrobek, nebo do autorizovaného sběrného místa pro recyklaci odpadních elektrických a elektronických zařízení (OEEZ), baterií a akumulátorů. Nevhodné nakládání s tímto druhem odpadu by mohlo mít negativní dopad na životní prostředí a lidské zdraví, protože elektrická a elektronická zařízení zpravidla obsahují potenciálně nebezpečné látky. Vaše spolupráce na správné likvidaci tohoto výrobku napomůže efektivnímu využívání přírodních zdrojů. Chcete-li získat podrobné informace týkající se recyklace tohoto výrobku, obraťte se prosím na místní úřad, orgán pro nakládání s odpady, schválený systém nakládání s odpady či společnost zajišťující likvidaci domovního odpadu, nebo navštivte webové stránky [www.canon-europe.com/weee](http://www.canon-europe.com/weee) nebo [www.canon-europe.com/battery](http://www.canon-europe.com/battery).

## Csak az Európai Unió és az EGT (Norvégia, Izland és Liechtenstein) országaiban



Ezek a szimbólumok azt jelzik, hogy a termék hulladékkezelése a háztartási hulladéktól különválasztva, az elektromos és elektronikus berendezések hulladékairól (WEEE) szóló (2012/19/EU) irányelvnek és az elemekről és akkumulátorokról, valamint a hulladék elemekről és akkumulátorokról szóló (2006/66/EK) irányelvnek megfelelően és/vagy ezen irányelveknek megfelelő helyi előírások szerint történik.

Amennyiben a fent feltüntetett szimbólum alatt egy vegyjel is szerepel, az elemekről és akkumulátorokról szóló irányelvben foglaltak értelmében ez azt jelzi, hogy az elem vagy az akkumulátor az irányelvben meghatározott határértéknél nagyobb mennyiségben tartalmaz nehézfémet (Hg = higany, Cd = kadmium, Pb = ólom). E terméket az arra kijelölt gyűjtőhelyre kell juttatni – pl. hasonló termék vásárlásakor a régi becserélésére vonatkozó hivatalos program keretében, vagy az elektromos és elektronikus berendezések (EEE) hulladékainak gyűjtésére, valamint a hulladék elemek és hulladék akkumulátorok gyűjtésére kijelölt hivatalos gyűjtőhelyre. Az ilyen jellegű hulladékok nem előírászerű kezelése az elektromos és elektronikus berendezésekhez (EEE) általánosan kapcsolható potenciálisan veszélyes anyagok révén hatással lehet a környezetre és az egészségre. E termék megfelelő leselejtezésével Ön is hozzájárul a természeti források hatékony használatához. A termék újrahasznosítását illetően informálódjon a helyi polgármesteri hivatalnál, a helyi közterület-fenntartó vállalatnál, a hivatalos hulladéklerakó telephelyen vagy a háztartási hulladék begyűjtését végző szolgáltatónál, illetve látogasson el a [www.canon-europe.com/weee](http://www.canon-europe.com/weee), vagy [www.canon-europe.com/battery](http://www.canon-europe.com/battery) internetes oldalra.

## Tylko dla krajów Unii Europejskiej oraz EOG (Norwegia, Islandia i Liechtenstein)



Te symbole oznaczają, że produkt nie należy wyrzucać razem z odpadami gospodarstwa domowego, zgodnie z dyrektywą WEEE w sprawie zużytego sprzętu elektrycznego i elektronicznego (2012/19/UE) lub dyrektywą w sprawie baterii (2006/66/WE) bądź przepisami krajowymi wdrażającymi te dyrektywy.

Jeśli pod powyższym symbolem znajduje się symbol chemiczny, zgodnie z dyrektywą w sprawie baterii oznacza to, że bateria lub akumulator zawiera metal ciężki (Hg = rtęć, Cd = kadm, Pb = ołów) w stężeniu przekraczającym odpowiedni poziom określony w dyrektywie w sprawie baterii.

Użytkownicy baterii i akumulatorów mają obowiązek korzystać z dostępnego programu zwrotu, recyklingu i utylizacji baterii oraz akumulatorów. Niewłaściwe postępowanie z tego typu odpadami może mieć wpływ na środowisko i zdrowie ludzi ze względu na substancje potencjalnie niebezpieczne, związane ze użytym sprzętem elektrycznym i elektronicznym. Państwa współpraca w zakresie właściwej utylizacji tego produktu przyczyni się do efektywnego wykorzystania zasobów naturalnych. W celu uzyskania informacji o sposobie recyklingu tego produktu prosimy o kontakt z właściwym urzędem miejskim lub zakładem gospodarki komunalnej bądź zapraszamy na stronę [www.canon-europe.com/weee](http://www.canon-europe.com/weee), lub [www.canon-europe.com/battery](http://www.canon-europe.com/battery).

## Platí len pre štáty Európskej únie a EHP (Nórsko, Island a Lichtenštajnsko)



Tieto symboly označujú, že podľa Smernice o odpade z elektrických a elektronických zariadení (OEEZ) 2012/19/EÚ, Smernice o batériách (2006/66/ES) a podľa platnej legislatívy Slovenskej republiky sa tento produkt nesmie likvidovať spolu s komunálnym odpadom. Ak je chemická značka vytlačena pod vyššie uvedeným symbolom, znamená to, že táto batéria alebo akumulátor obsahuje ťažký kov (Hg = ortuť, Cd = kadmium, Pb = olovo) v koncentrácii vyššej, ako je príslušná povolená hodnota stanovená v Smernici o batériách. Produkt je potrebné odovzdať do určenej zberne, napr. prostredníctvom výmeny za kúpu nového podobného produktu, alebo na autorizované zberné miesto, ktoré spracúva odpad z elektrických a elektronických zariadení (EEZ), batérií a akumulátorov. Nesprávna manipulácia s takýmto typom odpadu môže mať negatívny vplyv na životné prostredie a ľudské zdravie, pretože elektrické a elektronické zariadenia obsahujú potenciálne nebezpečné látky. Spoluprácou na správnej likvidácii tohto produktu prispějete k účinnému využívaniu prírodných zdrojov. Ďalšie informácie o recyklácii tohto produktu získate od miestneho úradu, úradu životného prostredia, zo schváleného plánu OEEZ alebo od spoločnosti, ktorá zaisťuje likvidáciu komunálneho odpadu. Viac informácií nájdete aj na webovej stránke: [www.canon-europe.com/weee](http://www.canon-europe.com/weee), alebo [www.canon-europe.com/battery](http://www.canon-europe.com/battery).

## Üksnes Euroopa Liit ja EMP (Norra, Island ja Liechtenstein)



Antud sümbolid viitavad sellele, et vastavalt elektri- ja elektroonikaseadmete jäätmeid käsitlevale direktiivile (2012/19/EL), patareisid ja akusid ning patarei- ja akujäätmeid käsitlevale direktiivile (2006/66/EÜ) ja/või nimetatud direktiive rakendavatele riiklikele õigusaktidele ei või seda toodet koos olmejäätmetega ära visata. Kui keemiline sümbol on trükitud eespool toodud sümboli alla, siis tähendab see, et antud patareis või akus leiduva raskemetalli (Hg = elavhõbe, Cd = kaadmium, Pb = plii) kontsentratsioonitase on kõrgem kui patareisid ja akusid ning patarei- ja akujäätmeid käsitlevas direktiivis sätestatud piirmäär. Antud tootest tekkinud jäätmed tuleb anda vastavasse kogumispunkti, nt müügipunkti, mis on volitatud üks ühe vastu vahetama, kui ostate uue sarnase toote, või vastavasse elektri- ja elektroonikaseadmete jäätmete ning patareide ja akude ümbertöötlemiseks mõeldud kogumispunkti. Antud liiki jäätmete vale käitlemine võib kahjustada keskkonda ja inimeste tervist elektri- ja elektroonikajäätmetes tavaliselt leiduvate potentsiaalselt ohtlike ainete tõttu. Antud tootest tekkinud jäätmete nõuetekohase kõrvaldamisega aitate kasutada loodusvarasid efektiivselt. Täiendava teabe saamiseks elektri- ja elektroonikaseadmetest tekkinud jäätmete ning patarei- ja akujäätmete tagastamise ja ümbertöötlemise kohta võtke ühendust kohaliku omavalitsusega, asjakohase valitsusasutusega, asjakohase tootjavastutusorganisatsiooniga või olmejäätmete käitlejaga. Lisateavet leitate ka Interneti-leheküljelt [www.canon-europe.com/weee](http://www.canon-europe.com/weee) või [www.canon-europe.com/battery](http://www.canon-europe.com/battery).

## Tikai Eiropas Savienībai un EEZ (Norvēģijai, Islandei un Lihtenšteinai)



Šie simboli norāda, ka atbilstoši ES Direktīvai (2012/19/ES) par elektrisko un elektronisko iekārtu atkritumiem (EEIA), Direktīvai (2006/66/EK) par baterijām un akumulatoriem, un akumulatoru atkritumiem, ar ko atceļ Direktīvu 91/157/EEK, un vietējiem tiesību aktiem šo izstrādājumu nedrīkst izmest kopā ar sadzīves atkritumiem. Ja zem iepriekš norādītā simbola ir uzdrukāts ķīmiskais simbols, saskaņā ar direktīvu par baterijām un akumulatoriem tas nozīmē, ka šīs baterijas vai akumulatori satur smagos metālus (Hg = dzīvsudrabs, Cd = kadmījs, Pb = svins) un to koncentrācijas līmenis pārsniedz direktīvā par baterijām un akumulatoriem minēto piemērojamo sliekšni. Šis izstrādājums ir jānodod piemērotā savākšanas vietā, piemēram, apstiprinātā veikalā, kur iegādājaties līdzīgu jaunu produktu un atstājat veco, vai apstiprinātā vietā izlietotu elektrisko un elektronisko iekārtu un bateriju un akumulatoru pārstrādei. Nepareiza šāda veida atkritumu apsaimniekošana var apdraudēt vidi un cilvēka veselību tādu iespējami bīstamu vielu dēļ, kas parasti ir elektriskajās un elektroniskajās iekārtās. Jūsu atbalsts pareizā šāda veida atkritumu apsaimniekošanā sekmēs efektīvu dabas resursu izmantošanu. Lai saņemtu pilnīgāku informāciju par šāda veida izstrādājumu nodošanu otrreizējai pārstrādei, sazinieties ar vietējo pašvaldību, atkritumu savākšanas atbildīgo dienestu, pilnvaroto organizāciju vai iestādi, kas veic sadzīves atkritumu apsaimniekošanu, vai apmeklējiet tīmekļa vietni [www.canon-europe.com/weee](http://www.canon-europe.com/weee), vai [www.canon-europe.com/battery](http://www.canon-europe.com/battery).

## Tik Europos Sąjungai ir EEE (Norvegijai, Islandijai ir Lichtenšteinui)



Šie simbolie reiškia, kad šio gaminių negalima išmesti į buitines atliekas, kaip reikalaujama WEEE Direktyvoje (2012/19/ES) ir Baterijų direktyvoje (2006/66/EB) ir (ar) jūsų šalies nacionaliniuose įstatymuose, kuriais šios Direktyvos yra įgyvendinamos. Jeigu cheminio ženklo simbolis yra nurodytas žemiau šio ženklo, tai reiškia, kad vadovaujantis Baterijų direktyvą, baterijų ar akumuliatorių sudėtyje yra sunkiųjų metalų (Hg = gyvsidabris, Cd = kadmio, Pb = švino), kurių koncentracija viršija Baterijų direktyvoje nurodytas leistinas ribas. Šį gaminį reikia pristatyti į specialųjį surinkimo punktą, pavyzdžiui, mainais, kai jūs perkate naują panašų gaminį, arba į specialiąją surinkimo vietą, kurioje perdirbamos elektrinės ir elektroninės įrangos atliekos bei naudotos baterijos ir akumuliatoriai. Dėl netinkamo šio tipo atliekų tvarkymo gali nukentėti aplinka ir iškilti grėsmė žmogaus sveikatai dėl galimai kenksmingų medžiagų, iš esmės susijusių su elektrine ir elektronine įranga. Bendradarbiaudami ir teisingai utilizuodami šiuos gaminius, jūs padėsite efektyviai naudoti gamtinius išteklius. Daugiau informacijos apie gaminių perdirbimą jums gali suteikti vietinis biuras, atliekų tvarkymo bendrovė, sertifikuoti organai ar buitinių atliekų surinkimo įmonės. Taip pat siūloma apsilankyti interneto svetainėje [www.canon-europe.com/weee](http://www.canon-europe.com/weee), arba [www.canon-europe.com/battery](http://www.canon-europe.com/battery).



## Samo za Evropsko unijo in EGP (Norveška, Islandija in Lihtenštajn)



Ti simboli pomenijo, da tega izdelka skladno z Direktivo OEEO (2012/19/EU), Direktivo 2006/66/ES in/ali nacionalno zakonodajo, ki uvaja ti direktivi, ne smete odlagati z nesortiranimi gospodinjskimi odpadki. Če je pod zgoraj prikazanim simbolom natisnjen kemijski simbol, to v skladu z Direktivo pomeni, da je v tej bateriji ali akumulatorju prisotna težka kovina (Hg = živo srebro, Cd = kadmij, Pb = svinec), in sicer v koncentraciji, ki je nad relevantno mejno vrednostjo, določeno v Direktivi. Ta izdelek je potrebno odnesti na izbrano zbirno mesto, t. j. pooblaščenega trgovino, kjer ob nakupu novega (podobnega) izdelka vrnete starega, ali na pooblaščenega zbirno mesto za ponovno uporabo odpadne električne in elektronske opreme (EEO) ter baterij in akumulatorjev. Neustrezno ravnanje s to vrsto odpadkov lahko negativno vpliva na okolje in človeško zdravje zaradi potencialno nevarnih snovi, ki so pogosto povezane z EEO. Vaše sodelovanje pri pravilnem odlaganju tega izdelka predstavlja pomemben prispevek k smotni izrabi naravnih virov. Za več informacij o ponovni uporabi tega izdelka se obrnite na lokalni mestni urad, pristojno službo za odpadke, predstavnika pooblaščenega programa za obdelavo odpadkov ali na lokalno komunalno. Lahko pa tudi obiščete našo spletno stran [www.canon-europe.com/weee](http://www.canon-europe.com/weee), ali [www.canon-europe.com/battery](http://www.canon-europe.com/battery).

## Само за Европейския съюз и ЕИП (Норвегия, Islandия и Лихтенщайн)



Тези символи показват, че този продукт не трябва да се изхвърля заедно с битовите отпадъци съгласно Директивата за ИУЕЕО (2012/19/ЕС), Директивата за батерии (2006/66/ЕО) и/или Вашето национално законодателство, прилагащо тези Директиви. Ако под показания горе символ е отпечатан символ за химически елемент, съгласно разпоредбите на Директивата за батерии, този втори символ означава наличието на тежък метал (Hg = живак, Cd = кадмий, Pb = олово) в батерията или акумулатора в концентрация над указаната граница за съответния елемент в Директивата. Този продукт трябва да бъде предаден в предназначен за целта пункт за събиране, например на база размяна, когато купувате нов подобен продукт, или в одобрен събирателен пункт за рециклиране на излязло от употреба електрическо и електронно оборудване (ИУЕЕО), батерии и акумулатори. Неправилното третиране на този тип отпадъци може да доведе до евентуални отрицателни последици за околната среда и човешкото здраве поради потенциално опасните вещества, които обикновено са свързани с ЕЕО. В същото време Вашето съдействие за правилното изхвърляне на този продукт ще допринесе за ефективното използване на природните ресурси. За повече информация относно това къде можете да предадете за рециклиране на този продукт, моля свържете се с Вашите местни власти, с органа, отговорен за отпадъците, с одобрената система за ИУЕЕО или с Вашата местна служба за битови отпадъци, или посетете [www.canon-europe.com/weee](http://www.canon-europe.com/weee), или [www.canon-europe.com/battery](http://www.canon-europe.com/battery).

## Doar pentru Uniunea Europeană și EEA (Norvegia, Islanda și Liechtenstein)



Aceste simboluri indică faptul că acest produs nu trebuie aruncat împreună cu deșeurile menajere, în conformitate cu Directiva DEEE (2012/19/UE), Directiva referitoare la baterii (2006/66/CE) și/sau legile dvs. naționale ce implementează aceste Directive. Dacă un simbol chimic este imprimat sub simbolul de mai sus, în conformitate cu Directiva referitoare la baterii, acest simbol indică prezența în baterie sau acumulator a unui metal greu (Hg = Mercur, Cd = Cadmiu, Pb = Plumb) într-o concentrație mai mare decât pragul admis specificat în Directiva referitoare la baterii. Acest produs trebuie înmănat punctului de colectare adecvat, ex: printr-un schimb autorizat unu la unu atunci când cumpărați un produs nou similar sau la un loc de colectare autorizat pentru reciclarea reziduurilor de echipament electric și electronic (EEE) și baterii și acumulatori. Administrarea neadecvată a acestui tip de deșeuri, ar putea avea un impact asupra mediului și asupra sănătății umane datorită substanțelor cu potențial de risc care sunt în general asociate cu EEE. Cooperarea dvs. în direcția reciclării corecte a acestui produs va contribui la o utilizare eficientă a resurselor naturale. Pentru mai multe informații despre reciclarea acestui produs, vă rugăm să contactați biroul dvs. local, autoritățile responsabile cu deșeurile, schema aprobată sau serviciul dvs. responsabil cu deșeurile menajere sau vizitați-ne la [www.canon-europe.com/weee](http://www.canon-europe.com/weee), sau [www.canon-europe.com/battery](http://www.canon-europe.com/battery).

## Samo za Europsku uniju i EEA (Norveška, Island i Lihtenštajn)



Oznaka pokazuje da se ovaj proizvod ne smije odlagati s komunalnim i ostalim vrstama otpada, u skladu s direktivom WEEE (2012/19/EC), Direktivom o baterijama (2006/66/EC) i Pravilnikom o gospodarenju otpadnim baterijama i akumulatorima te Pravilnikom o gospodarenju otpadnim električnim i elektroničkim uređajima i opremom. Ako je ispod prethodno prikazane oznake otisnut kemijski simbol, u skladu s Direktivom o baterijama, to znači da se u ovoj bateriji ili akumulatoru nalazi teški metal (Hg = živa, Cd = kadmij, Pb = olovo) i da je njegova koncentracija iznad razine propisane u Direktivi o baterijama. Ovaj bi proizvod trebalo predati ovlaštenom skupljaču EE otpada ili prodavatelju koji je dužan preuzeti otpadni proizvod po sistemu jedan za jedan, ukoliko isti odgovara vrsti te je obavljao primarne funkcije kao i isporučena EE oprema. Otpadne baterije i akumulatori predaju se ovlaštenom skupljaču otpadnih baterija ili akumulatora ili prodavatelju bez naknade i obveze kupnje za krajnjeg korisnika. Neodgovarajuće rukovanje ovom vrstom otpada može utjecati na okoliš i ljudsko zdravlje zbog potencijalno opasnih supstanci koje se najčešće nalaze na takvim mjestima. Vaša suradnja u pravilnom zbrinjavanju ovog proizvoda pridonijet će djelotvornom iskorištavanju prirodnih resursa. Dodatne informacije o recikliranju ovog proizvoda zatražite od svog lokalnog gradskog ureda, službe za zbrinjavanje otpada, odobrenog programa ili komunalne službe za uklanjanje otpada ili pak na stranicama [www.canon-europe.com/weee](http://www.canon-europe.com/weee) ili [www.canon-europe.com/battery](http://www.canon-europe.com/battery).

## Korisnici u Srbiji



Ovaj simbol označava da ovaj proizvod ne sme da se odlaže sa ostalim kućnim otpadom, u skladu sa WEEE Direktivom (2012/19/EU), Direktivom o baterijama (2006/66/EC) i nacionalnim zakonima. Ukoliko je ispod gore navedenog simbola odštampan hemijski simbol, u skladu sa Direktivom o baterijama, ovaj simbol označava da su u ovoj bateriji ili akumulatoru prisutni teški metali (Hg – živa, Cd – kadmijum, Pb - olovo) u koncentracijama koje premašuju prihvatljivi prag naveden u Direktivi o baterijama. Ovaj proizvod treba predati određenom centru za prikupljanje, npr. po principu „jedan-za-jedan“ kada kupujete sličan novi proizvod, ili ovlašćenom centru za prikupljanje za reciklažu istrošene električne i elektronske opreme (EEE), baterija i akumulatora. Nepravilno rukovanje ovom vrstom otpada može imati negativne posledice po životnu sredinu i ljudsko zdravlje usled potencijalno opasnih materijala koji se uglavnom vezuju za EEE. Vaša saradnja na ispravnom odlaganju ovog proizvoda će doprineti efikasnom korišćenju prirodnih resursa. Više informacija o tome kako možete da recikirate ovaj proizvod potražite od lokalnih gradskih vlasti, komunalne službe, odobrenog plana reciklaže ili servisa za odlaganje kućnog otpada, ili posetite stranicu [www.canon-europe.com/wEEE](http://www.canon-europe.com/wEEE), ili [www.canon-europe.com/battery](http://www.canon-europe.com/battery).

## When Repairing, Lending, or Disposing of the Printer

---

If you have entered personal data, passwords and/or other security settings on the printer, such information may be stored in the printer.

When sending the printer for repair, lending or transferring the printer to another person, or disposing of the printer, please be sure to follow the steps below in order to delete such information and prevent third parties from accessing it.

➔ [Initializing Printer's Setting](#)

## Online Manual

---

This manual has been confirmed to be displayed on the following web browsers (latest version).

- Windows device  
Microsoft Edge and Google Chrome
- macOS/iOS/iPadOS device  
Safari
- Android device  
Google Chrome

\* Set your browser to allow cookies and enable JavaScript.

## Screenshots in This Manual

For Windows:

The screenshots used in this manual are taken with Windows 10.

For macOS:

The screenshots used in this manual are taken with macOS Catalina 10.15.

## Enhanced Printing Options


---

### ► Printing from Your Computer (Windows)

- Printing with Easy Setup **♥Basics**
  - [Changing the Type of Paper](#)
- Setting the Number of Copies and Printing Order
- Using Roll Unit to Use 2-Level Rolls
  - About 2-Level Roll Switching
  - Setting the Paper Rolls in the Printer According to the Intended Use
  - Printing by Automatically Switching Upper-level and Lower-level Roll Papers
  - How to Switch Paper Rolls
  - Reflect Roll Unit Settings in the Printer Driver
- Printing Photos and Business Documents
  - Printing By Setting Print Purpose
  - Edit in PosterArtist and Print
- Changing the Print Quality and Correcting Image Data
  - Adjusting Color Balance
  - Setting the Print Quality Level (Custom)
  - Printing a Color Document in Monochrome
  - Specifying Color Correction
    - Optimal Photo Printing of Image Data
    - Adjusting Colors with the Printer Driver
    - Printing with ICC Profiles
    - Interpreting the ICC Profile
  - Adjusting Brightness
  - Adjusting Contrast
  - Printing Using Detailed Setting Mode
- Scaled Printing
- Printing to Oversized Paper Sizes
- Setting Paper Dimensions (Custom Size)

- Set a Custom Size Roll Width
- Printing without Edges Based on the Scenarios
  - Printing without Margins to Match Paper Size
  - Printing without Margins to Match Roll Paper Width
  - Printing Full-Size without Margins
  - Three-sided Borderless Printing on Roll Paper
- Printing Hanging and Horizontal Banners (Large-Format Printing)
- Printing by Dividing/Joining Documents
  - Inputting Multiple-file Documents into Free Layout plus
  - Lining Up and Printing Multiple Documents to Cut Sheets
  - Printing by Connecting Multiple Pages
  - Printing Multiple Pages All on One Page
  - Dividing and Printing Posters
- Printing Document in Center of Paper
- Printing by Saving Roll Paper
  - Saving Roll Paper by Rotating Document 90 Degrees
  - Saving Roll Paper by Eliminating Upper and Lower Margins on Document
- Switching the Paper Source to Match the Purpose
- Displaying the Print Results before Printing
- Link with PosterArtist to print with bright colors
- Specify Fluorescent Colors and Print
- Other Convenient Settings
  - Stamp Printing
    - Registering a Stamp
  - Setting a Page Size and Orientation
  - Registering a Frequently Used Printing Profile
  - Cutting Roll Paper after Printing

► **Printing from Computer (macOS)**

- Printing with Easy Setup  Basics
  - Changing the Type of Paper
- Setting the Number of Copies and Printing Order
- Using Roll Unit to Use 2-Level Rolls
  - About 2-Level Roll Switching
  - Setting the Paper Rolls in the Printer According to the Intended Use
  - Printing by Automatically Switching Upper-level and Lower-level Roll Papers
  - How to Switch Paper Rolls
  - Reflect Roll Unit Settings in the Printer Driver
- Changing the Print Quality and Correcting Image Data
  - Adjusting Color Balance
  - Setting the Print Quality Level (Custom)
  - Printing a Color Document in Monochrome
  - Specifying Color Correction
    - Optimal Photo Printing of Image Data
    - Adjusting Colors with the Printer Driver
    - Printing with ICC Profiles (Specifying an ICC Profile from the Application Software)
    - Printing with ICC Profiles (Specifying an ICC Profile from the Printer Driver)
    - Interpreting the ICC Profile
  - Adjusting Brightness
  - Adjusting Contrast
- Scaled Printing
- Printing to Oversized Paper Sizes
- Setting Paper Dimensions (Custom Size)
- Set a Custom Size Roll Width
- Print Area
- Printing without Edges Based on the Scenarios
  - Printing without Margins to Match Roll Paper Width
  - Printing Full-Size without Margins



- Three-sided Borderless Printing on Roll Paper
- Printing Hanging and Horizontal Banners (Large-Format Printing)
- Printing by Dividing/Joining Documents
  - Lining Up and Printing Multiple Documents
  - Printing by Connecting Multiple Pages
  - Printing Multiple Pages All on One Page
- Printing Document in Center of Paper
- Printing by Saving Roll Paper
  - Saving Roll Paper by Rotating Document 90 Degrees
  - Saving Roll Paper by Eliminating Upper and Lower Margins on Document
- Switching the Paper Source to Match the Purpose
- Cutting Roll Paper after Printing
- Specify Fluorescent Colors and Print
- Printing Using AirPrint
- ▶ **Printing from Printer**
  - Printing Data Saved on USB Flash Drive
- ▶ **Printing from Smartphone/Tablet**
  - Print Easily from a Smartphone or Tablet with Canon PRINT Inkjet/SELPHY
  - Printing from iOS Device (AirPrint)
- ▶ **Enlarging Copy with imageRUNNER ADVANCE**
- ▶ **Using PIXMA/MAXIFY Cloud Link**

## Printing from Computer (macOS)

---

- **Printing with Easy Setup** 📌 **Basic**
- **Setting the Number of Copies and Printing Order**
- **Using Roll Unit to Use 2-Level Rolls**
- **Changing the Print Quality and Correcting Image Data**
- **Scaled Printing**
- **Printing to Oversized Paper Sizes**
- **Setting Paper Dimensions (Custom Size)**
- **Set a Custom Size Roll Width**
- **Print Area**
- **Prints without Edges Based on the Scenarios**
- **Printing Hanging and Horizontal Banners (Large-Format Printing)**
- **Printing by Dividing/Joining Documents**
- **Printing Document in Center of Paper**
- **Printing by Saving Roll Paper**
- **Switching the Paper Source to Match the Purpose**
- **Cutting Roll Paper after Printing**
- **Specify Fluorescent Colors and Print**
- **Printing Using AirPrint**

## Printing with Easy Setup

The simple setup procedure for carrying out appropriate printing on this printer is as follows:

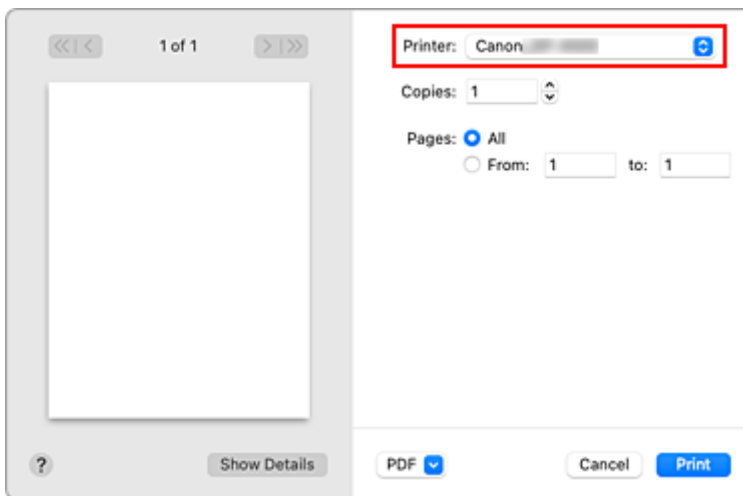
1. [Check that printer is turned on](#)

2. Load paper on the printer

Set [roll paper](#) or [cut paper](#).

3. Select the printer

Select your model from the **Printer** list in the [Print Dialog](#).



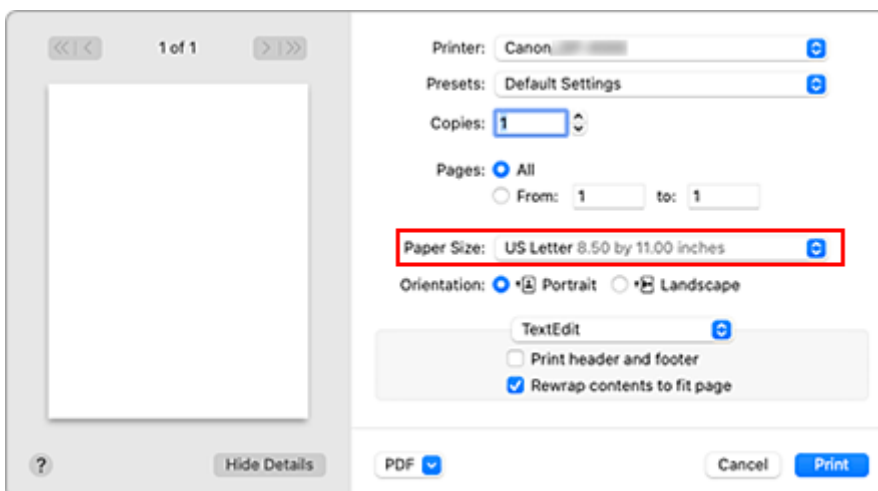
### ►►► Note

- Click **Show Details** to switch the Setup window to the detailed display. However, depending on the application you are using, **Show Details** may not be displayed.

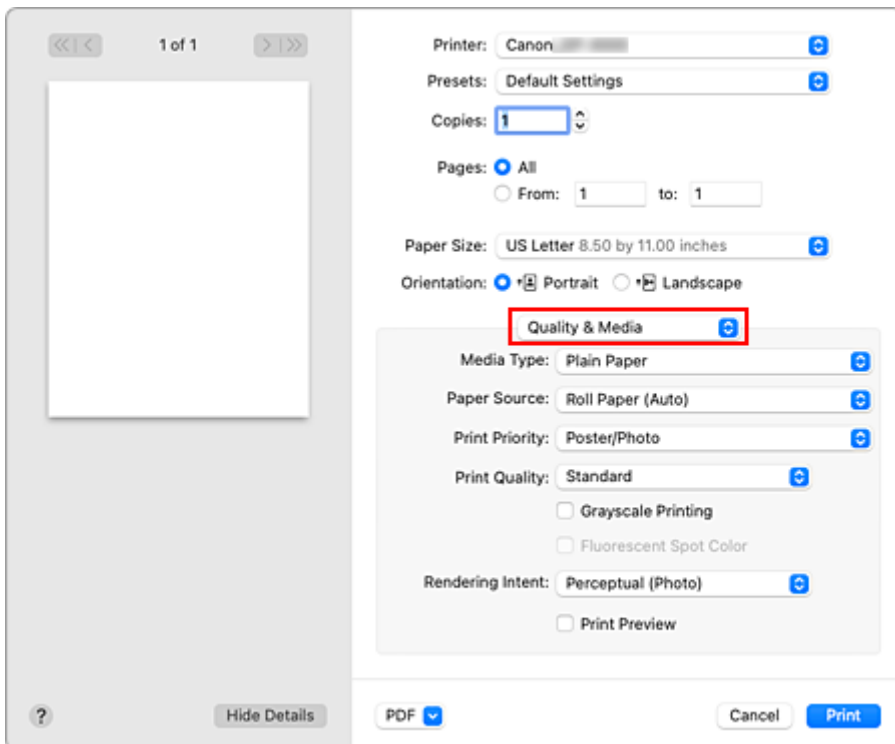
4. Select the paper size

For **Paper Size**, select the paper size to be used.

If necessary, set the number of copies, the pages to be printed, and the orientation.

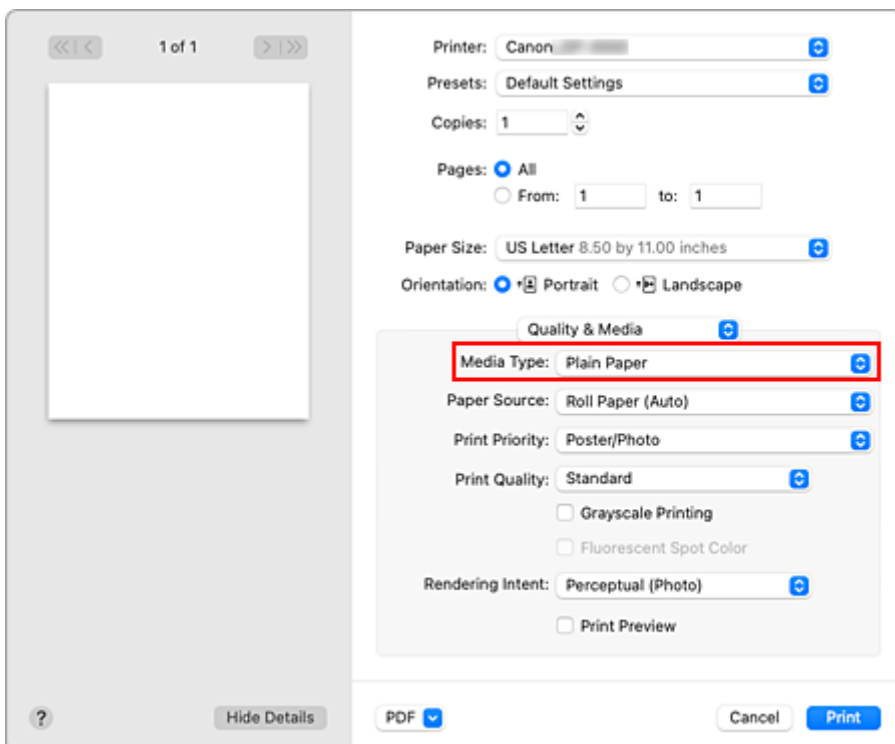


## 5. Select **Quality & Media** from the pop-up menu



## 6. Select the media type

For **Media Type**, select the same paper type loaded in the printer.

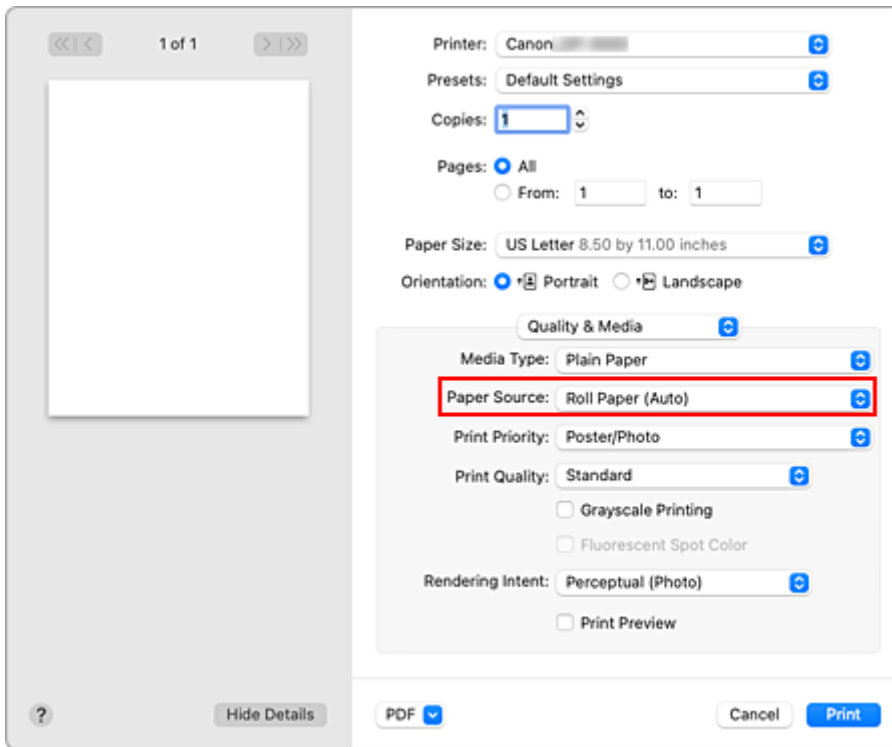


### ►►► Important

- In the **Presets** section, click **Save Current Settings as Preset...** to [register the specified settings](#).
- See "Paper Information List" for Canon authentic paper or Canon output check paper.

## 7. Select the paper source

For **Paper Source**, select the setting that matches your purpose.

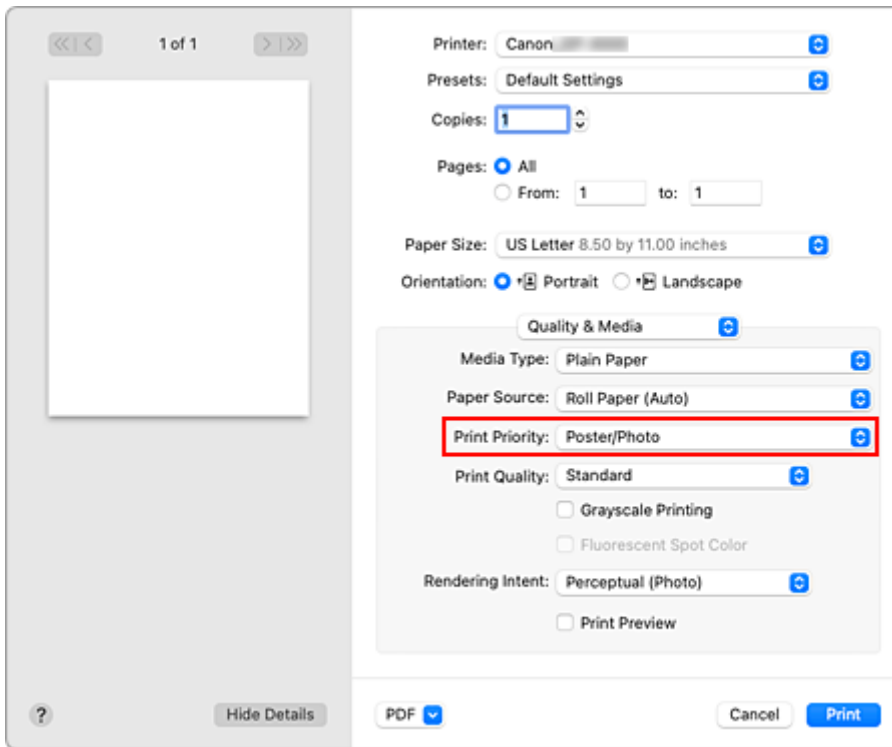


### »»» Important

- The paper feed method will differ depending on the lower level (roll paper 2) settings or roll unit option settings.

## 8. Select print priority

For **Print Priority**, select **Poster/Photo** or **Poster/Photo (Fluorescent)** according to your purpose.

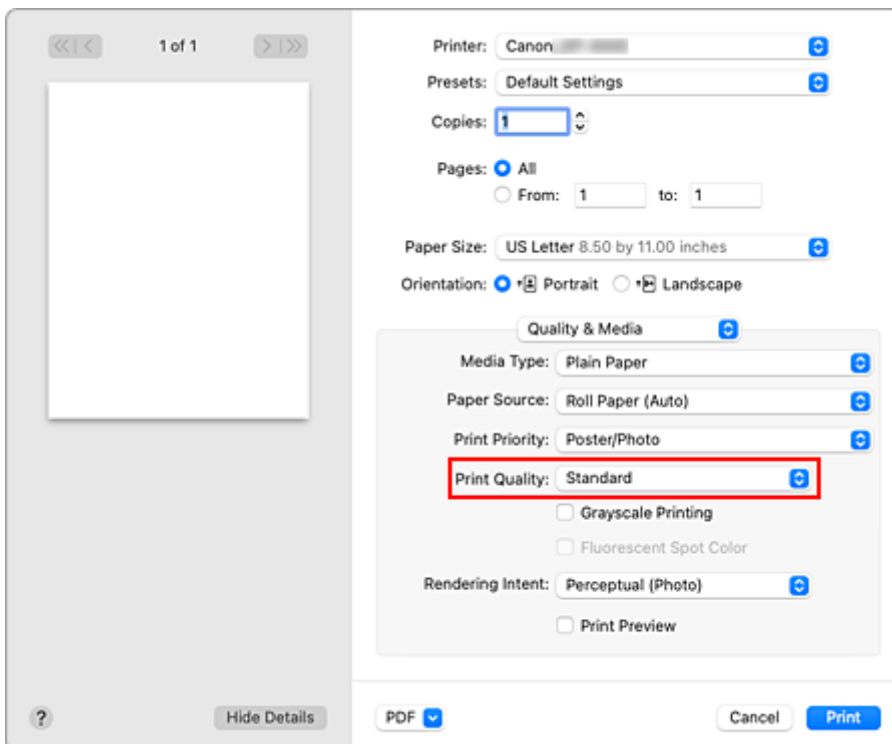


### »»» Important

- The selectable print priority differs depending on media type settings.

## 9. Select the print quality

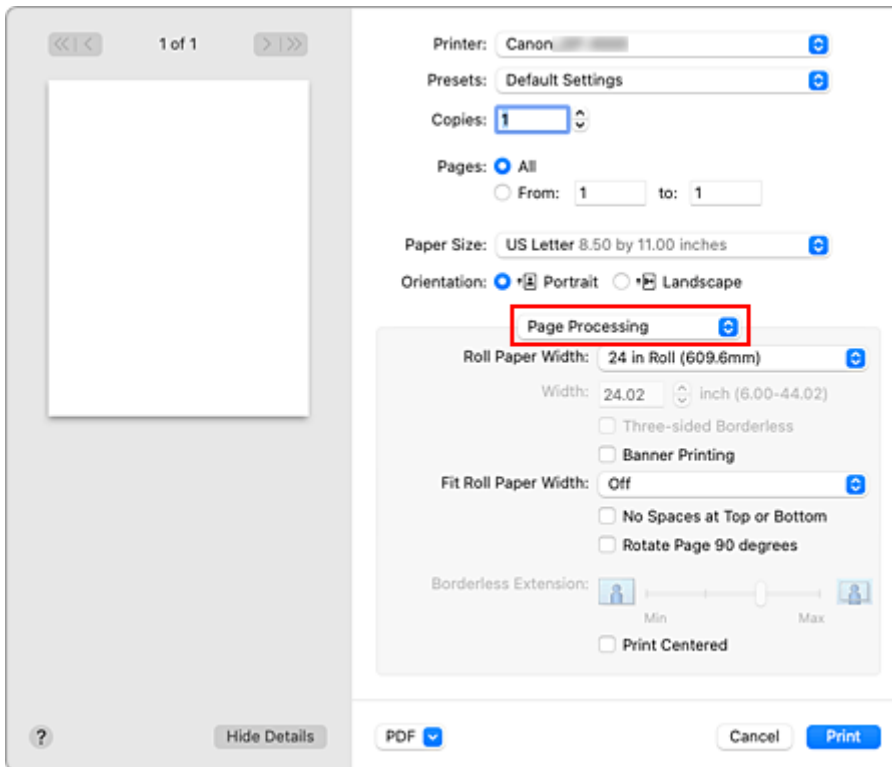
For **Print Quality**, select **Highest**, **High** or **Standard** according to your purpose.



## ▶▶▶ Important

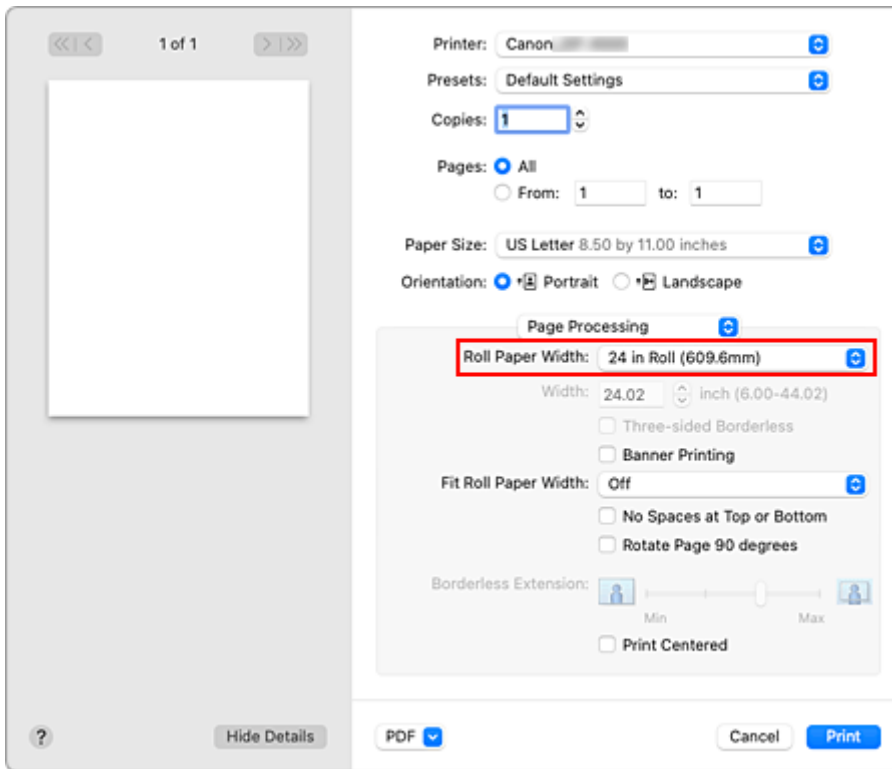
- The print quality settings that can be selected may differ depending on a printing profile.

### 10. Select **Page Processing** from the pop-up menu



### 11. Selecting Roll Paper Width

If you selected a roll paper for **Paper Source** in **Quality & Media**, set **Roll Paper Width** to the width of the roll paper loaded in the printer.



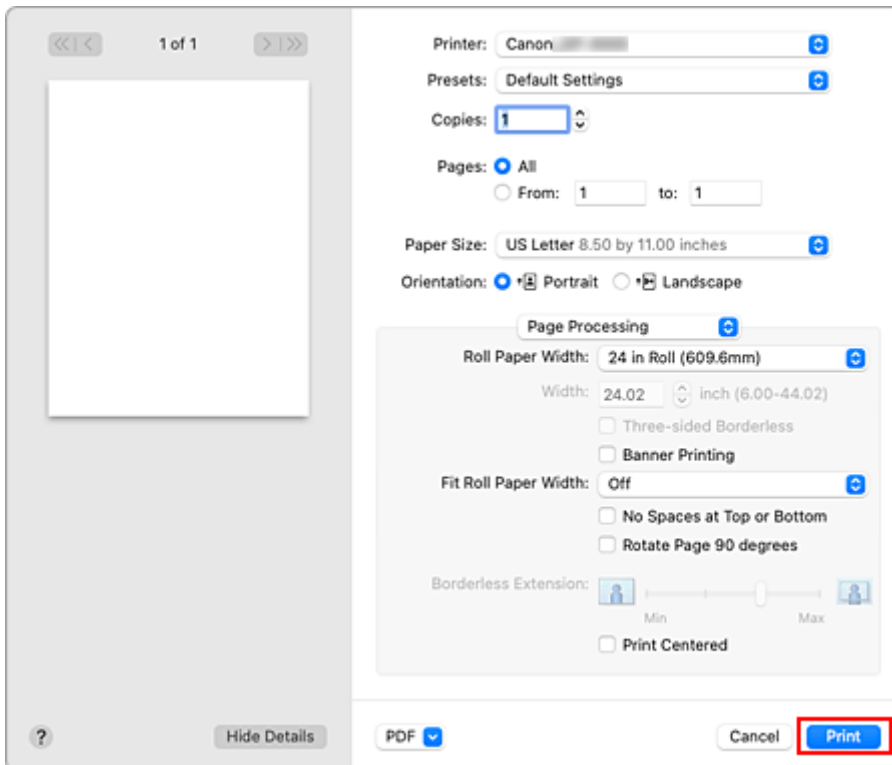
## ►►► Important

- If cut sheet is selected for the paper source, **Roll Paper Width** is grayed out and cannot be set.

## 12. Complete the setup

Click **Print**.

When you execute print, the document will be printed in accordance with the type and size of the media.



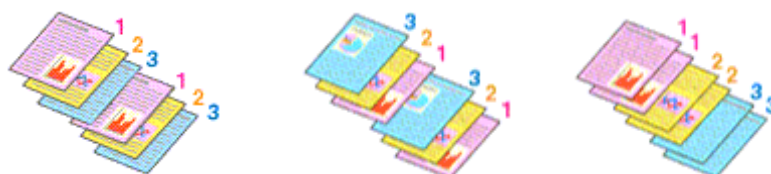


**»» Note**

- If the paper settings in the printer driver differ from the paper information registered on the printer, an error message may appear on the printer's operation panel. You can still print but you may not be able to obtain correct print results.

## Setting the Number of Copies and Printing Order

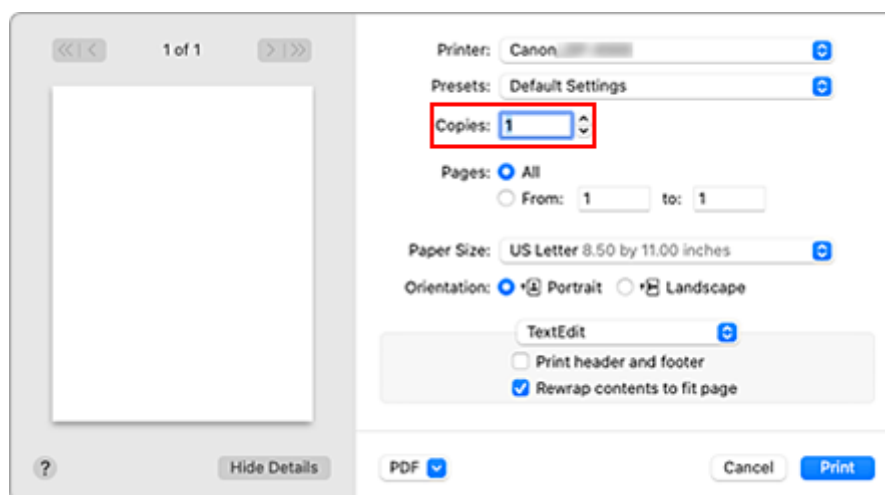
Collate pages + Reverse    Collate pages + Normal    Reverse



The procedure for specifying the number of copies and printing order is as follows:

### 1. Specify the number of copies to be printed

Specify the number of copies to print from the **Copies** in the [Print Dialog](#).



### 2. Select **Paper Handling** from the pop-up menu

### 3. Check the **Collate pages** check box when you are specifying multiple copies in the **Copies** box

Check the **Collate pages** check box to print all the pages of a single copy together.

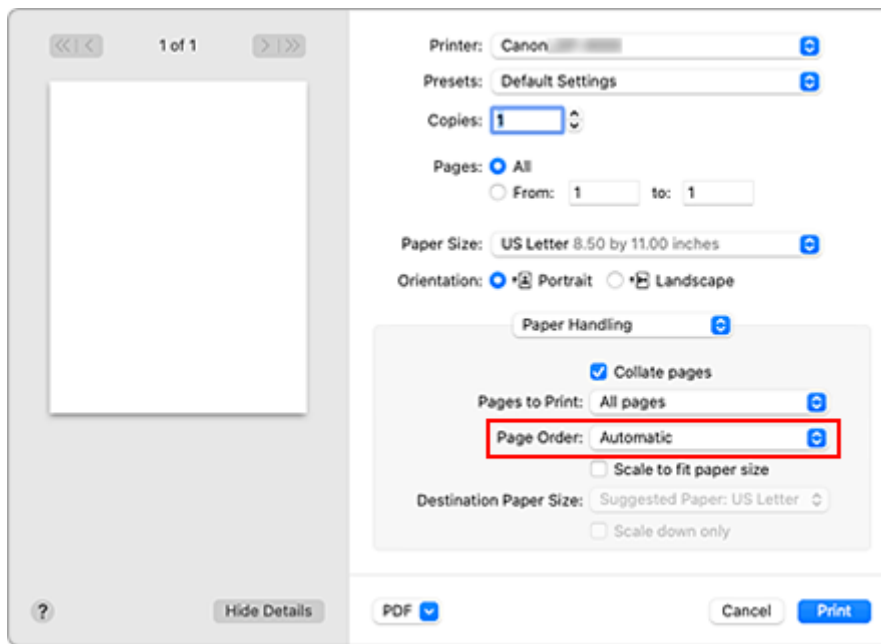
Uncheck this check box to print all pages with the same page number together.

### 4. Specify the print order

Check **Page Order**.

When you select **Reverse**, printing starts from the last page.

When you select **Automatic** or **Normal**, printing starts from the first page.



## 5. Complete the setup

Click **Print**.

When you execute print, the specified number of copies will be printed with the specified printing order.

### »» Important

- When the application software that you used to create the document has the same function, specify the settings on the printer driver. However, if the print results are not acceptable, specify the function settings on the application software. When you specify the number of copies and the printing order with both the application software and this printer driver, the number of copies may be multiplied numbers of the two settings or the specified printing order may not be enabled.

## **Using Roll Unit to Use 2-Level Rolls**

---

- **About 2-Level Roll Switching**
- **Setting the Paper Rolls in the Printer According to the Intended Use**
- **Printing by Automatically Switching Upper-level and Lower-level Roll Papers**
- **How to Switch Paper Rolls**
- **Reflect Roll Unit Settings in the Printer Driver**

## About 2-Level Roll Switching

---

This printer allows you to load roll paper in two levels, the upper level (Roll 1) and the lower level (Roll 2) and to automatically switch between Roll 1 and Roll 2 depending on the print job.

Printing by automatically switching Roll 1 and Roll 2 in this way is called "2-level roll switching."

- For instructions on setting the paper, see "[Setting the Paper Rolls in the Printer According to the Intended Use.](#)"
- For the 2-level roll switching procedure, see "[Printing by Automatically Switching Upper-level and Lower-level Roll Papers.](#)"
- Guidelines on how to switch Roll 1 and Roll 2 for certain cases are summarized in "[How to Switch Paper Rolls.](#)"

Refer to this section if a document cannot be printed as intended or as necessary.

## Setting the Paper Rolls in the Printer According to the Intended Use

If you want to switch the 2-level rolls, set the paper rolls on the upper and lower level of the printer in one of the ways described below depending on the intended use.

- When automatically switching from paper roll 1 to paper roll 2 to match the paper size specified for the print job

Set two paper rolls of the same type of paper but of different width on the upper and on the lower trays.

### Example of how to set the paper

Paper-feeding tray	Roll Width	Media Type
Upper-level	24 in Roll (609.6mm)	Plain Paper
Lower-level	A1/A2 Roll (594.0mm)	Plain Paper

- When automatically switching from paper roll 1 to paper roll 2 role to match the paper type specified for the print job

Set two paper rolls of the same width but of different types of paper on the upper and on the lower trays. Alternatively, set two paper rolls of different width and different types of paper on the upper and on the lower trays.

### Setting the paper (Example 1)

Paper-feeding tray	Roll Width	Media Type
Upper-level	A1/A2 Roll (594.0mm)	Plain Paper
Lower-level	A1/A2 Roll (594.0mm)	Canon Coated Paper

### Setting the paper (Example 2)

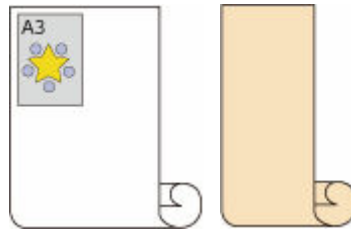
Paper-feeding tray	Roll Width	Media Type
Upper-level	24 in Roll (609.6mm)	Plain Paper
Lower-level	A1/A2 Roll (594.0mm)	Canon Coated Paper

### Important

- 2-level roll switching is not possible when the paper rolls being fed on the platen are not compatible with automatic cut-off. For checking which types of paper are compatible with automatic cut-off, look up the paper you want to use on the "Paper Information List."

### Note

- For information on how to set the paper rolls in the printer, see "[Handling rolls](#)"
- When rolls of different types of paper and of different width are set in the upper and lower trays, the paper roll matching the type of paper specified for the print job will be used. Depending on the settings, an error may occur causing the wrong paper roll to be used; in such cases, it is recommended that, instead of using 2-level roll switching, you specify which one is best between paper roll 1 and paper roll 2 and print.



Document  
Size: A3  
Media Type: Plain Paper

Roll 1:  
ISO A1/A2  
Plain Paper

Roll 2:  
ISO A3/A4  
Glossy Paper

- To learn how to switch paper- feeding trays, see "[How to switch paper rolls.](#)"

## Printing by Automatically Switching Upper-level and Lower-level Roll Papers

You can print by automatically switching Roll Paper 1 and Roll Paper 2 depending on the print job.

The procedure for printing by automatically switching Roll Paper 1 and Roll Paper 2 is as follows:

1. Select the paper size from the [Print Dialog](#)

For the **Paper Size**, select the same size as the source document created by the application software.

2. Select **Quality & Media** from the pop-up menu

3. Select the media type

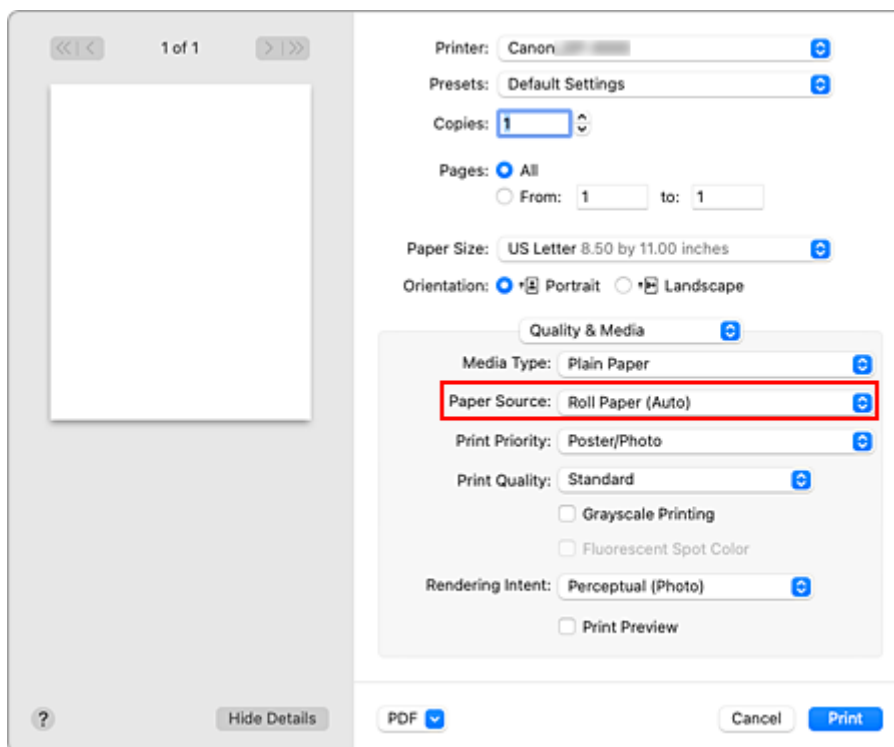
For **Media Type**, select the same paper type loaded in the printer.

### ►►► Important

- If the lower roll unit is not loaded or if the roll unit that was set as the take-up unit is loaded, the roll paper cannot be switched automatically.

4. Select the paper source

For **Paper Source**, select **Roll Paper (Auto)**.



### ►►► Important

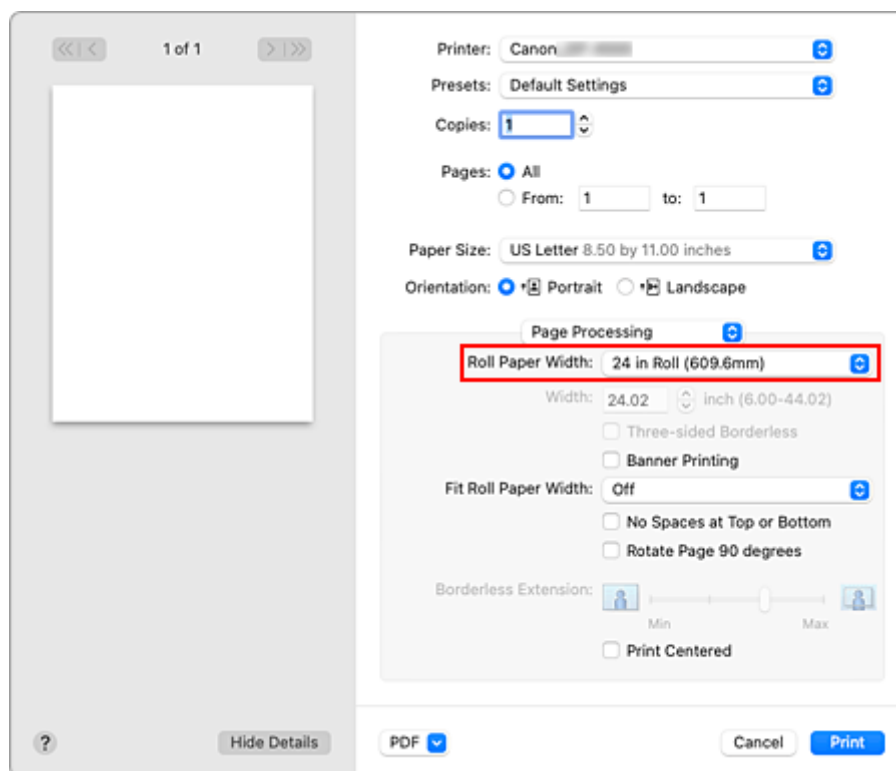
- The paper feed method will differ depending on the lower level (roll paper 2) settings or roll unit option settings.



5. Select **Page Processing** from the pop-up menu

6. Selecting Roll Paper Width

For **Roll Paper Width**, select the width of the roll paper loaded in the printer.



7. Selecting the printing method for the roll paper

When performing enlarged/reduced printing of the source document in accordance with the roll paper width, select **On (Bordered)** or **On (Borderless)** from **Fit Roll Paper Width**.

8. Set the other items

To rotate the document 90 degrees and print it, select the **Rotate Page 90 degrees** check box.

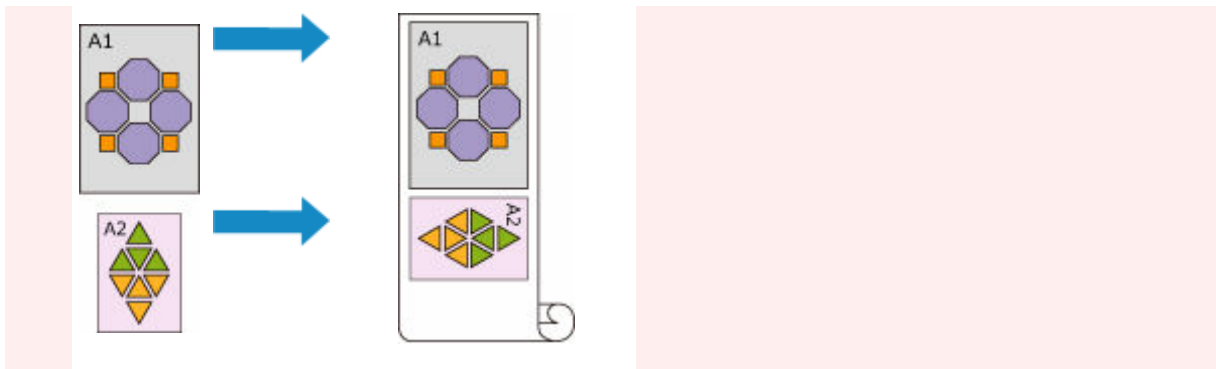
### ▶▶▶ Note

- If you rotate a portrait document 90 degrees and print it at that horizontally, you may be able to save paper depending on the paper size.

### ▶▶▶ Important

- When you select the **Rotate Page 90 degrees** check box, an error will occur when attempting to print if the vertical length of the document does not fit in the width set in **Roll Paper Width**. Therefore to use this function, correctly set **Roll Paper Width** to the width of one of the roll papers loaded in the printer.

Document	Roll Width:
	ISO A1/A2 Roll (594.0 mm)



- If the roll papers loaded in the upper and lower levels are different media types, the document is printed on the roll paper that matches the media type specified in the print job.  
If the document is being rotated 90 degrees for printing and the roll papers loaded in the upper and lower levels have different widths and different media types, set the correct combination of width and media type so that they match one of the roll papers loaded in the printer.

## 9. Complete the setup

Click **Print**.

When you print, the paper source is switched automatically to roll paper.

### ►►► Important

- On the operation panel, if **Printer settings -> Paper-related settings -> Roll paper auto switching** is set to **Do not identify size**, the document may be printed on the unintended roll paper. Before printing, confirm that the setting in the operation panel is set to **Identify size**.
- 2-level roll switching is not possible when the paper rolls being fed on the platen are not compatible with automatic cut-off. For checking which types of paper are compatible with automatic cut-off, look up the paper you want to use on the "Paper Information List."

### ►►► Note

- For details about how to switch the source levels depending on the print job, see "[How to Switch Paper Rolls](#)."

## How to Switch Paper Rolls

Here we will explain how the roll paper set in the upper and lower trays of the printer are switched. Refer to this information when necessary, for example, when documents will not print as expected, etc.

If you select **Roll Paper (Auto)** under **Paper Source** in the **Quality & Media**, the roll paper that is best suited for the print job will be automatically selected.

Whether paper roll 1 or paper roll 2 is selected, is determined through a sequence of judgment based on the 7 conditions in the table below.

At such times, the **Printer settings** -> **Paper-related settings** -> **Detect paper setting mismatch** in the Printer unit's operation panel will switch to the result of the judgment based on the process described below.

- [If the Detect paper setting mismatch setting is set on Pause or Hold job](#)
- [If the Detect paper setting mismatch setting is Display warning or Do not detect](#)

### Important

- If the lower roll unit is not loaded or if the roll unit that was set as the take-up unit is loaded, the roll paper cannot be switched automatically.

### Note

- If Error or On hold are displayed, replace the paper to match the requirements of the print job.
- In order to minimize paper waste, it is recommended that you configure the operation panel on the Printer unit as indicated below.
  - In **Printer settings** -> **Paper-related settings**, set **Roll paper auto switching** to **Identify size**
  - In Paper settings display area -> (Each paper type) -> **Paper settings** -> **Advanced**, set **Detect paper width** to **Enable**

## If the Detect paper setting mismatch setting is set on Pause or Hold job

Condition		Situation	Judgment result
<b>Condition 1</b>	Whether the paper roll loaded on the printer is long enough to print the paper size specified for the print job.	Only one of either paper roll 1 or paper roll 2 is long enough	Select the paper roll of sufficient length
		Neither paper roll 1 nor paper roll 2 are long enough	Error
		Both paper roll 1 and paper roll 2 are long enough	To Condition 2
		On the Printer's menu, <b>Manage remaining roll amount</b> is set on <b>Disable</b> (length of the paper roll cannot be determined)	
<b>Condition 2</b>	Whether the paper roll loaded on the printer matches the paper type specified for the print job.	Only one of either paper roll 1 or paper roll 2 matches the paper type	Select the paper roll matching the paper type

		Neither roll 1 nor roll 2 match the paper type	Error / On hold
		Both paper roll 1 and paper roll 2 match the paper type	To Condition 3
<b>Condition 3</b>	In the Printer menu, how has the <b>Roll paper auto switching</b> setting changed?	It has changed to <b>Do not identify size</b>	Select the paper roll currently being fed into the platen *1
		It has changed to <b>Identify size</b>	To Condition 4
<b>Condition 4</b>	If borderless printing has been indicated for the print job (if it has not, on to condition 5)	Only one of either paper roll 1 or paper roll 2 is compatible with borderless printing	Select the paper roll compatible with borderless printing
		Neither paper roll 1 nor paper roll 2 are compatible with borderless printing	Error
		Both paper roll 1 and paper roll 2 are compatible with borderless printing	To Condition 5
<b>Condition 5</b>	Whether the width of the paper roll loaded on the printer matches the paper width specified for the print job (only when printing borderless or enlarging/reducing)	Only one of either paper roll 1 or paper roll 2 has the width specified for the print job	Select the paper roll of the matching width
		Neither paper roll 1 nor paper roll 2 have a width matching the one specified for the print job	Error / On hold
		Both paper roll 1 and paper roll 2 have a width matching the one specified for the print job	To Condition 6
		Paper roll width has not been specified for the print job	
<b>Condition 6</b>	Whether the width of the paper size specified for the print job fits within the width of the paper roll loaded on the printer.	The width of the paper size specified for the print job only fits within the width of paper roll 1 or paper roll 2	Select the paper roll in which the width of the paper size fits comfortably
		The width of the paper size specified for the print job does not fit within the width of either paper roll 1 or paper roll 2	Error
		The width of the paper size specified for the print job fits within the	To Condition 7

		width of both paper roll 1 and paper roll 2	
<b>Condition 7</b>	Is the width of paper roll 1 different from the width of paper roll 2?	Roll width is different	Select the paper roll whose width is closer to the width specified for the print job
		Roll width is the same	Select the paper roll currently being fed into the platen *1

\*1 In the following cases, neither roll 1 nor roll 2 are being fed onto the platen. In such cases, paper roll 1 is selected.

- When the printer has switched to sleep mode and has returned to the initial position
- When the printer has been turned on
- When cut paper has been fed into the printer and has exited it

## If the Detect paper setting mismatch setting is set on Display warning or Do not detect

Condition		Situation	Judgment result
<b>Condition 1</b>	Whether the paper roll loaded on the printer is long enough to print the paper size specified for the print job.	Only one of either paper roll 1 or paper roll 2 is long enough	Select the paper roll of sufficient length
		Neither paper roll 1 nor paper roll 2 are long enough	Error
		Both paper roll 1 and paper roll 2 are long enough	To Condition 2
		On the Printer's menu, <b>Manage remaining roll amount</b> is set on <b>Disable</b> (length of the paper roll cannot be determined)	
<b>Condition 2</b>	Whether the paper roll loaded on the printer matches the paper type specified for the print job.	Only one of either paper roll 1 or paper roll 2 matches the paper type	Select the paper roll matching the paper type
		Neither roll 1 nor roll 2 match the paper type	To Condition 3
		Both paper roll 1 and paper roll 2 match the paper type	
<b>Condition 3</b>	In the Printer menu, how has the <b>Roll paper auto switching</b> setting changed?	It has changed to <b>Do not identify size</b>	Select the paper roll currently being

			fed into the platen *1
		It has changed to <b>Identify size</b>	To Condition 4
<b>Condition 4</b>	If borderless printing has been indicated for the print job (if it has not, on to condition 5)	Only one of either paper roll 1 or paper roll 2 is compatible with borderless printing	Select the paper roll compatible with borderless printing
		Neither paper roll 1 nor paper roll 2 are compatible with borderless printing	Error
		Both paper roll 1 and paper roll 2 are compatible with borderless printing	To Condition 5
<b>Condition 5</b>	Whether the width of the paper roll loaded on the printer matches the paper width specified for the print job (only when printing borderless or enlarging/reducing)	Only one of either paper roll 1 or paper roll 2 has the width specified for the print job	Select the paper roll of the matching width
		Neither paper roll 1 nor paper roll 2 have a width matching the one specified for the print job	To Condition 6
		Both paper roll 1 and paper roll 2 have a width matching the one specified for the print job	
		Paper roll width has not been specified for the print job	
<b>Condition 6</b>	Whether the width of the paper size specified for the print job fits within the width of the paper roll loaded on the printer.	The width of the paper size specified for the print job only fits within the width of paper roll 1 or paper roll 2	Select the paper roll in which the width of the paper size fits comfortably
		The width of the paper size specified for the print job does not fit within the width of either paper roll 1 or paper roll 2	To Condition 7
		The width of the paper size specified for the print job fits within the width of both paper roll 1 and paper roll 2	
<b>Condition 7</b>	Is the width of paper roll 1 different from the width of paper roll 2?	Roll width is different	Select the paper roll whose width is closer to the width specified for the print job

	Roll width is the same	Select the paper roll currently being fed into the platen *1
--	------------------------	---

\*1 In the following cases, neither roll 1 nor roll 2 are being fed onto the platen. In such cases, paper roll 1 is selected.

- When the printer has switched to sleep mode and has returned to the initial position
- When the printer has been turned on
- When cut paper has been fed into the printer and has exited it

## Reflect Roll Unit Settings in the Printer Driver

Configure the settings of the roll unit in the printer driver so that they reflect those in the printer unit. If you configure the settings of the roll unit in the printer driver so that they reflect those in the printer unit, the paper-feeding methods which can be set in the printer driver will switch to the state the printer unit was in.

Procedure for configuring the settings of the roll unit in the printer driver so that they reflect those in the printer unit.

1. Open **System Preferences** and select **Printers & Scanners**
2. Select the name of your model from the list of printers and click **Options & Supplies...**
3. Reflect the settings of the roll unit

If you are using the lower tray (paper roll 2) as paper-feeding tray, place a checkmark next to **Roll Unit** in the **Options** tab (or the **Driver** tab).

### »» Important

- If the roll unit of the lower tray is not installed, or if the roll unit of the lower tray set in the winding device is installed, uncheck **Roll Unit**.

### »» Note

- Roll unit settings are automatically updated even when you are printing from the printer driver.



## **Changing the Print Quality and Correcting Image Data**

---

- **Adjusting Color Balance**
- **Setting the Print Quality Level (Custom)**
- **Printing a Color Document in Monochrome**
- **Specifying Color Correction**
- **Adjusting Brightness**
- **Adjusting Contrast**

## Adjusting Color Balance

---

You can adjust the color tints when printing.

Since this function adjusts color balance of the output by changing the ink ratios of each color, it changes the total color balance of the document. Use the application software when you want to change the color balance significantly. Use the printer driver only when you want to adjust the color balance slightly.

The following sample shows the case when color balance is used to intensify cyan and to diminish yellow so that the overall colors are more uniform.



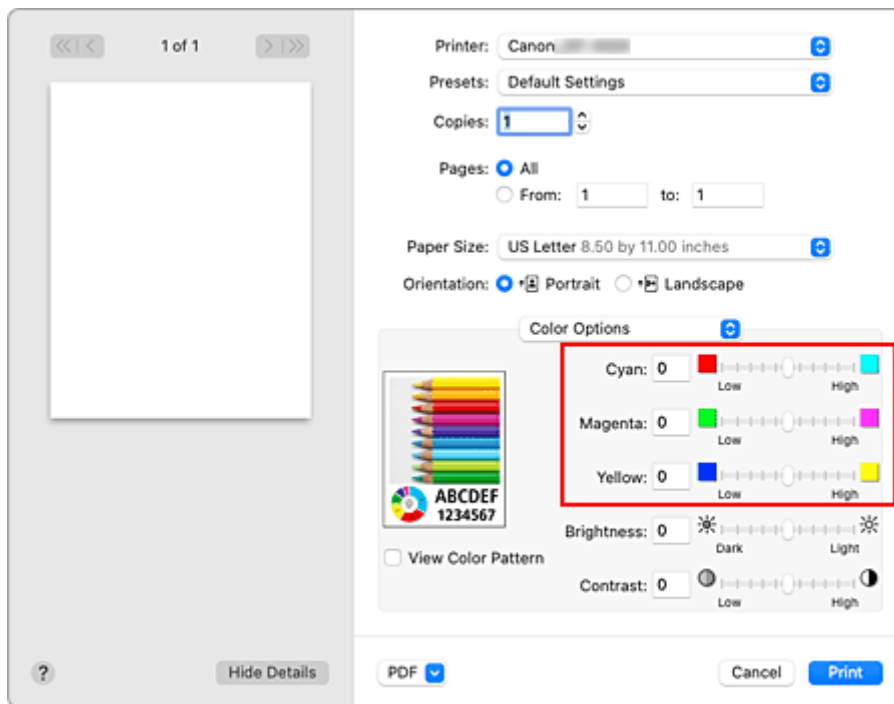
No adjustment    Adjust color balance

The procedure for adjusting color balance is as follows:

1. Select **Color Options** from the pop-up menu of the [Print Dialog](#)
2. Adjust color balance

There are individual sliders for **Cyan**, **Magenta**, and **Yellow**. Each color becomes stronger when the corresponding slider is moved to the right, and becomes weaker when the corresponding slider is moved to the left. For example, when cyan becomes weaker, the color red becomes stronger.

You can also directly enter a value linked to the slider. Enter a value in the range from -50 to 50. The current settings are displayed in the settings preview on the left side of the printer driver.



### 3. Complete the setup

Click **Print**.

When you execute print, the document is printed with the adjusted color balance.

## Related Topics

- ➔ [Setting the Print Quality Level \(Custom\)](#)
- ➔ [Specifying Color Correction](#)
- ➔ [Adjusting Brightness](#)
- ➔ [Adjusting Contrast](#)

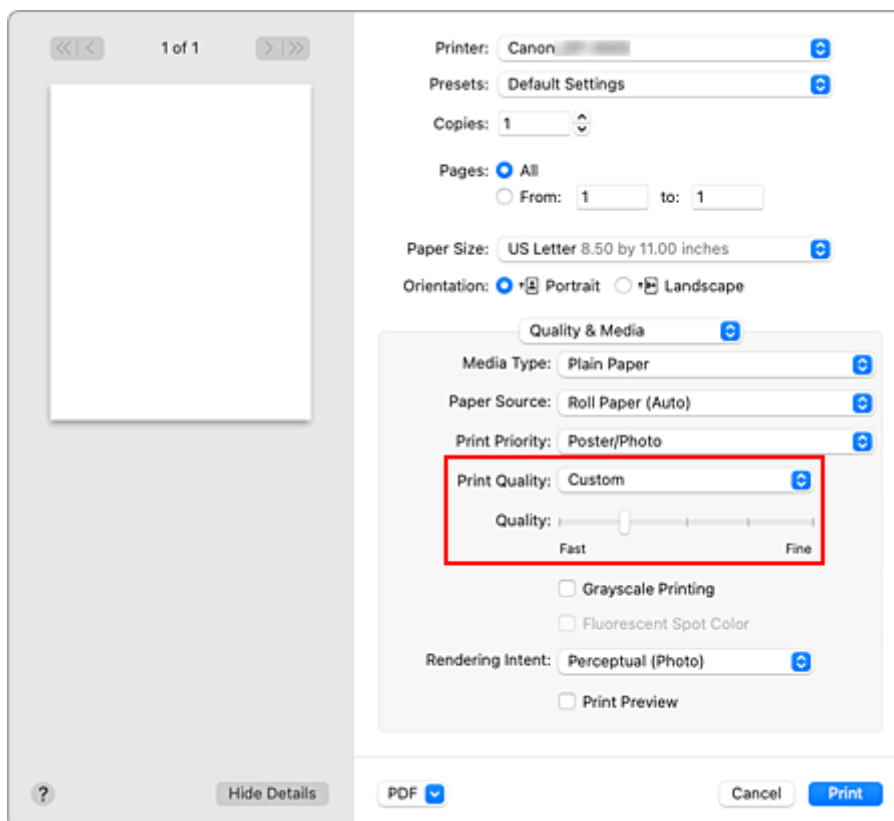
## Setting the Print Quality Level (Custom)

The print quality level can be set in the **Custom**.

The procedure for setting the print quality level is as follows:

1. Select **Quality & Media** from the pop-up menu on the [Print Dialog](#)
2. Select the print quality

Select **Custom** for **Print Quality**.



3. Setting the print quality level

Move the **Quality** slider to select the print quality level.

### ►►► Important

- Certain print quality levels cannot be selected depending on the settings of media type.

4. Complete the setup

Click **Print**.

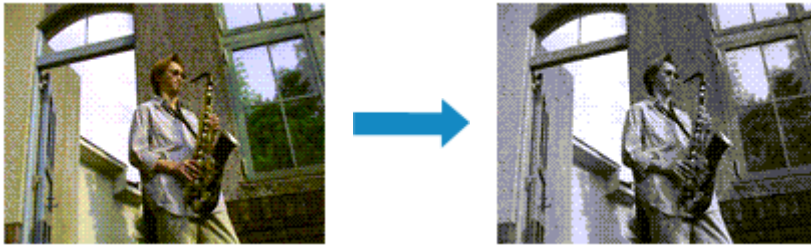
When you execute print, the image data is printed with the selected print quality level.

## Related Topics

- ➔ [Specifying Color Correction](#)

- ➡ [Adjusting Color Balance](#)
- ➡ [Adjusting Brightness](#)
- ➡ [Adjusting Contrast](#)

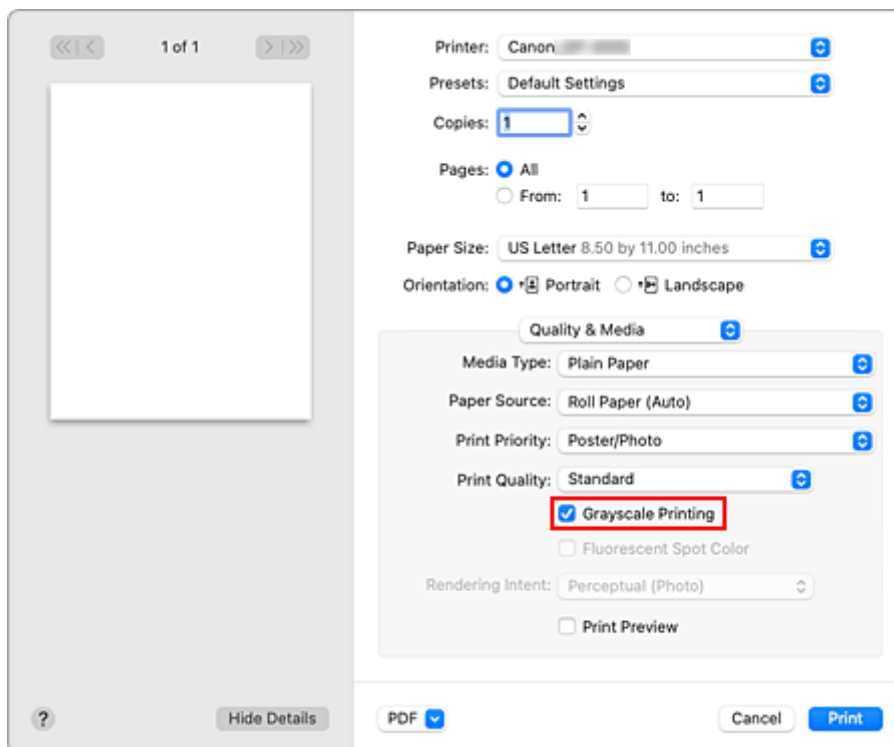
## Printing a Color Document in Monochrome



The procedure for printing a color document in monochrome is as follows:

1. Select **Quality & Media** from the pop-up menu on the [Print Dialog](#)
2. Set monochrome printing

Check the **Grayscale Printing** check box.



3. Complete the setup

Click **Print**.

When you execute print, the document is converted to grayscale data. It allows you to print the color document in monochrome.

### ▶▶▶ Note

- With monochrome printing, inks other than black ink may be used as well.

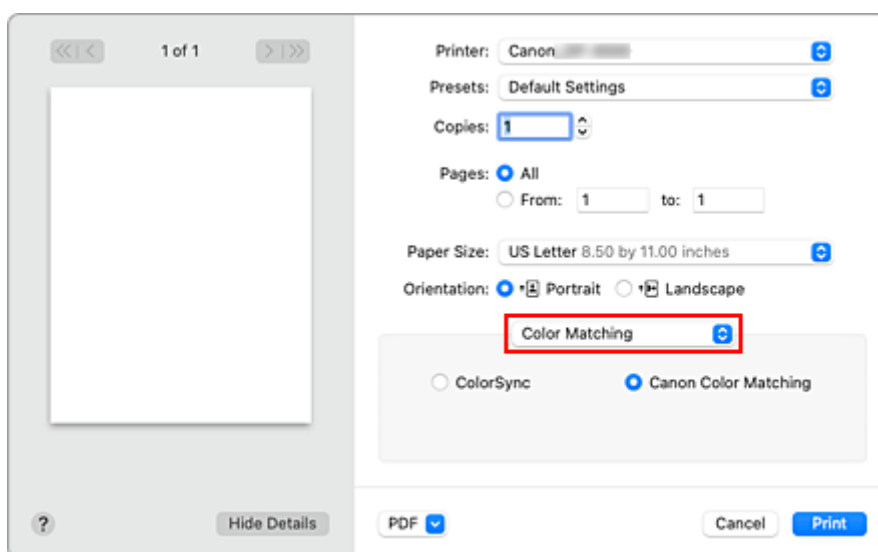
## Specifying Color Correction

You can specify the color correction method suited to the type of document to be printed. Normally, when data is printed, the printer driver automatically adjusts the colors.

When you want to print by using the color space of the image data effectively or by specifying a printing ICC profile from your application software, select **ColorSync**. When you want to print by having the printer driver correct the colors, select **Canon Color Matching**.

The procedure for specifying color correction is as follows:

### 1. Select **Color Matching** from the pop-up menu of the [Print Dialog](#)



### 2. Select color correction

Select the item below that matches your purpose.

#### **ColorSync**

Perform color correction using ColorSync.

#### **Canon Color Matching**

The driver will perform necessary adjustments during printing.

For information about driver matching, see "[Adjusting Colors with the Printer Driver.](#)"

### 3. Complete the setup

Click **Print**.

When you execute print, the document data is printed with the specified color correction.

## »» Important

- Depending on the application software, when a printing ICC profile is specified from that application software, **Canon Color Matching** cannot be selected because **ColorSync** is selected automatically.
- The **Quality & Media** setting is necessary even when **ColorSync** or **Canon Color Matching** is selected.

## **Related Topics**

- ➔ [Optimal Photo Printing of Image Data](#)
- ➔ [Adjusting Colors with the Printer Driver](#)
- ➔ [Printing with ICC Profiles \(Specifying an ICC Profile from the Application Software\)](#)
- ➔ [Printing with ICC Profiles \(Specifying an ICC Profile from the Printer Driver\)](#)
- ➔ [Interpreting the ICC Profile](#)



## Optimal Photo Printing of Image Data

When people print images taken with digital cameras, they sometimes feel that the printed color tones differ from those of actual image or those displayed on the monitor.

To get the print results as close as possible to the desired color tones, you must select a printing method that is best suited to the application software used or to your purpose.

### Color Management

Devices such as digital cameras, scanners, monitors, and printers handle color differently. Color management (color matching) is a method that manages device-dependent "colors" as a common color space.

For macOS, a color management system called "ColorSync" is built into the operating system. sRGB is one of the common color spaces that is frequently used.

ICC profiles convert device-dependent "colors" into a common color space. By using an ICC profile and carrying out color management, you can draw out the color space of the image data within the color reproduction area that the printer can express.

#### ▶▶ Note

- Normally, image files are saved in JPEG format. Some digital cameras allow you to save images in a format called RAW. RAW data refers to an image saving format that requires a computer to develop the image. You can embed an input ICC profile tag into a RAW file by using special application software.

### Selecting a Printing Method Suited to the Image Data

The recommended printing method depends on the color space of the image data or the application software to be used.

There are two typical printing methods.

Check the color space of the image data and the application software to be used, and then select the printing method suited to your purpose.

#### [Adjusting Colors with the Printer Driver](#)

Describes the procedure for printing by using the color correction function of the printer driver.

Select this function when you want to print impressions that are close to those displayed on the monitor, for example, if you corrected the colors while checking the print image on the monitor.

#### [Printing with ICC Profiles \(Specifying an ICC Profile from the Application Software\)](#)

Describes the procedure for printing by using the color space of the image data effectively.

You can print with a common color space by setting up the application software and the printer driver so that the color management matches the input ICC profile of the image data.

The method for setting up the printer driver differs depending on the application software to be used.

## Related Topic

➔ [Interpreting the ICC Profile](#)

## Adjusting Colors with the Printer Driver

To use printer driver matching when printing, turn on the printer driver's color correction function. Printer driver matching accurately applies the characteristics of data displayed on the monitor and allows you to obtain print results of impressions that are close to those displayed on the monitor.

### Important

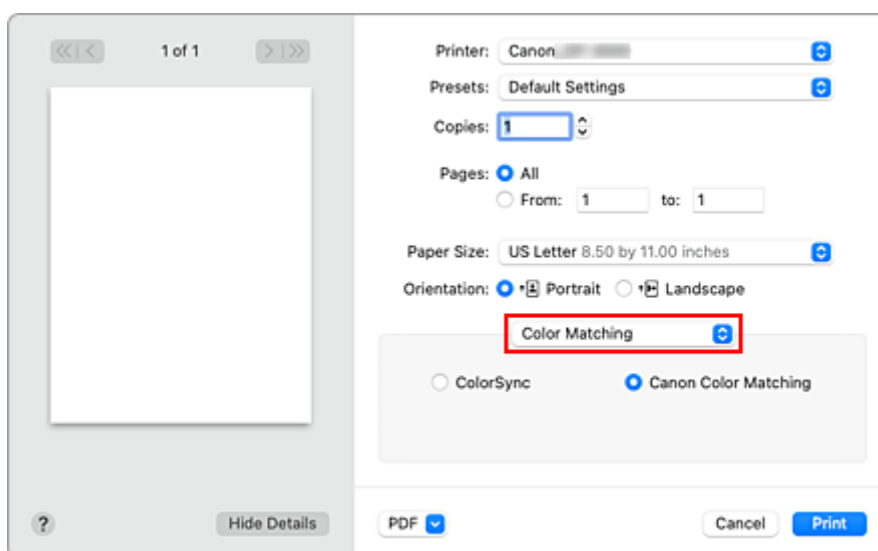
- When printing using printer driver matching, Canon recommends that you set the monitor and the environment light as follows:
  - Monitor
    - Color temperature: D50 (5000K)
    - Brightness: 100 to 120cd/m<sup>2</sup>
    - Gamma: 2.2
  - Environment light
    - Fluorescent light for D50 color evaluation (color temperature 5000K, high color rendering properties)
    - Brightness when looking at printed materials: 500 lx ± 125 lx

### Note

- When printing from an application software that allows you to identify and specify ICC profiles, use an ICC profile for printing with that application software and select setting items that manage colors.

The procedure for adjusting colors with the printer driver is as follows:

1. Select **Color Matching** from the pop-up menu of the [Print Dialog](#)



2. Select color correction

Select **Canon Color Matching**.

3. Select **Quality & Media** from the pop-up menu

#### 4. Select the rendering intent

Select the coloring adjustment method in **Rendering Intent**.

##### **Perceptual (Photo)**

Reproduces colors of general photos naturally and features smooth gradation. In addition, selecting this setting allows you to adjust colors easily using an application software.

##### **Saturation (Poster)**

Reproduces vivid colors on data such as a poster.

##### **No Color Correction**

Performs printing without color matching.

#### 5. Set the other items

From the pop-up menu, select **Color Options**. If necessary, adjust the color balance (**Cyan, Magenta, Yellow**) and adjust **Brightness**, and **Contrast** settings.

#### 6. Complete the setup

Click **Print**.

When you execute print, the printer driver adjusts the colors when printing the data.

## Related Topics

- ➔ [Setting the Print Quality Level \(Custom\)](#)
- ➔ [Specifying Color Correction](#)
- ➔ [Adjusting Color Balance](#)
- ➔ [Adjusting Brightness](#)
- ➔ [Adjusting Contrast](#)

## Printing with ICC Profiles (Specifying an ICC Profile from the Application Software)

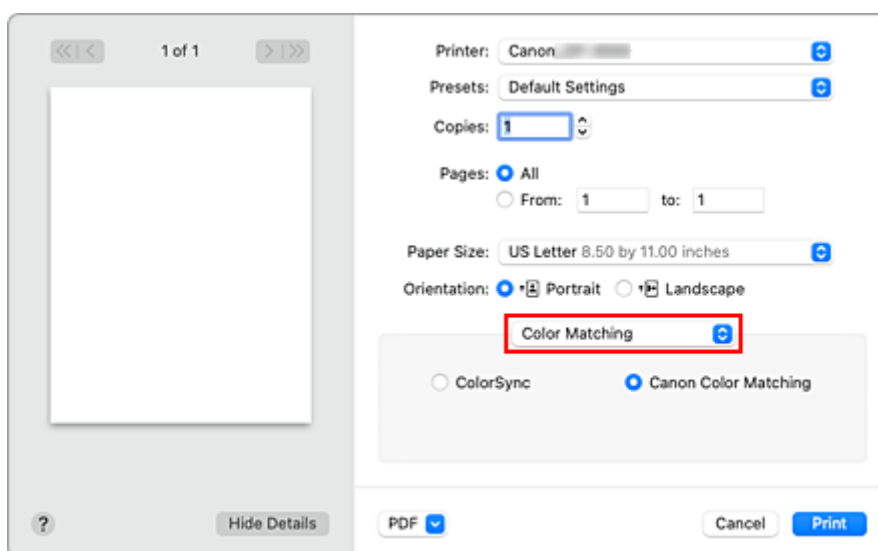
When you print from Adobe Photoshop, Canon Digital Photo Professional, or any application software that can identify input ICC profiles and allows you to specify such profiles, printer uses the color management system (ColorSync) built-into macOS when printing. The printer prints the editing and touch-up results of the application software and effectively uses the color space of the input ICC profile specified in the image data.

To use this printing method, use your application software to select color management items and specify an input ICC profile and a printing ICC profile in the image data.

Even if you print using a printing ICC profile that you created yourself or one for special Canon paper, be sure to select color management items from your application software.

For instructions, refer to the manual of the application software you are using.

### 1. Select **Color Matching** from the pop-up menu of the [Print Dialog](#)



### 2. Select color correction

Select **ColorSync**.

You can leave **Profile** set to **Automatic**.

#### »»» Important

- Depending on the application software you use, you may not be able to select setting items other than **ColorSync**.
- If you choose a **Profile** setting other than **Automatic** or "Printing Paper ICC Profile", the printer will not be able to print with the correct colors.

### 3. Complete the setup

Click **Print**.

When you execute print, the printer uses the color space of the image data.

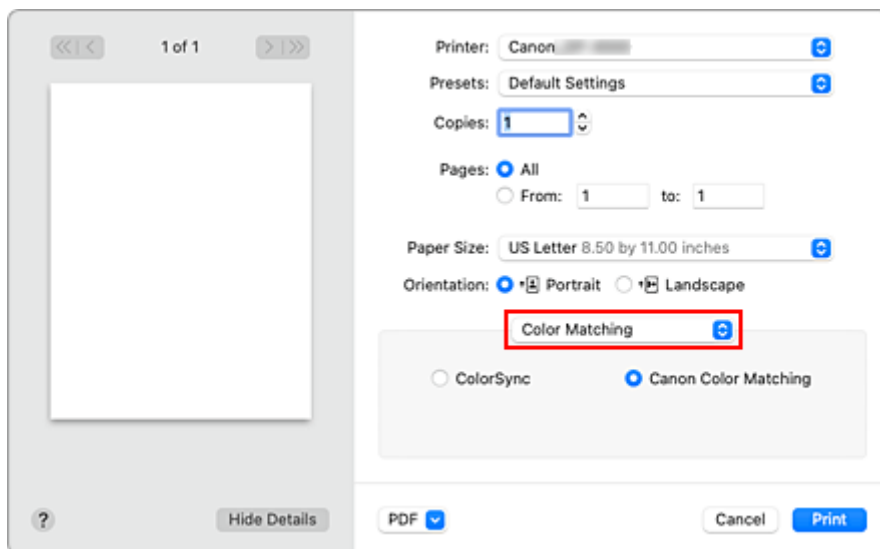
## **Related Topics**

- ➔ [Setting the Print Quality Level \(Custom\)](#)
- ➔ [Specifying Color Correction](#)
- ➔ [Adjusting Color Balance](#)
- ➔ [Adjusting Brightness](#)
- ➔ [Adjusting Contrast](#)

## Printing with ICC Profiles (Specifying an ICC Profile from the Printer Driver)

Print from an application software that cannot identify or specify input ICC profiles by using the color space of the input ICC profile (sRGB) found in the data.

1. Select **Color Matching** from the pop-up menu of the [Print Dialog](#)



2. Select color correction

Select **ColorSync**.

You can leave **Profile** set to **Automatic**.

### »»» Important

- If you choose a **Profile** setting other than **Automatic** or "Printing Paper ICC Profile", the printer will not be able to print with the correct colors.

3. Complete the setup

Click **Print**.

When you execute print, the printer uses the color space of the image data.

### »»» Important

- You cannot specify an input ICC profile from the printer driver.

## Related Topics

- ➔ [Setting the Print Quality Level \(Custom\)](#)
- ➔ [Specifying Color Correction](#)
- ➔ [Adjusting Color Balance](#)
- ➔ [Adjusting Brightness](#)
- ➔ [Adjusting Contrast](#)

## Interpreting the ICC Profile

---

When specifying an ICC profile for this printer, specify an ICC profile according to the print output media.

The ICC profiles installed for this printer appear as follows.

Canon XXXXX -F Photo Paper Pro Platinum  
          (1)   (2)                   (3)

- (1) : Printer model
- (2) : Use fluorescent ink if "-F" is displayed
- (3) : Media type

For the names of compatible paper, check the information for the paper you want to use from "Paper Information List."



## Adjusting Brightness

You can brighten or darken the colors of the overall image data during printing.

The following sample shows the case when light colors are darkened when the image data is printed.



No adjustment



Darken light colors

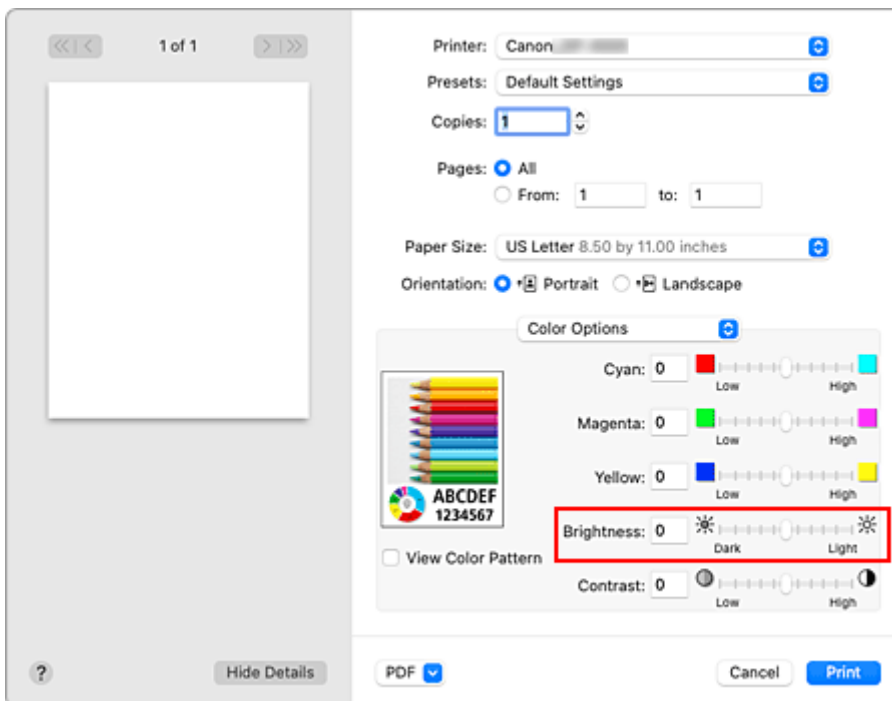
The procedure for adjusting brightness is as follows:

1. Select **Color Options** from the pop-up menu of the [Print Dialog](#)

2. Adjust brightness

Moving the **Brightness** slider to the right brightens the colors, and moving the slider to the left darkens the colors.

You can also directly enter a value linked to the slider. Enter a value in the range from -50 to 50. The current settings are displayed in the settings preview on the left side of the printer driver.



3. Complete the setup

Click **Print**.

When you execute print, the data is printed at the adjusted brightness.

## **Related Topics**

- ➔ [Setting the Print Quality Level \(Custom\)](#)
- ➔ [Specifying Color Correction](#)
- ➔ [Adjusting Color Balance](#)
- ➔ [Adjusting Contrast](#)

## Adjusting Contrast

You can adjust the image contrast during printing.

To make the differences between the light and dark portions of images greater and more distinct, increase the contrast. On the other hand, to make the differences between the light and dark portions of images smaller and less distinct, reduce the contrast.



No adjustment

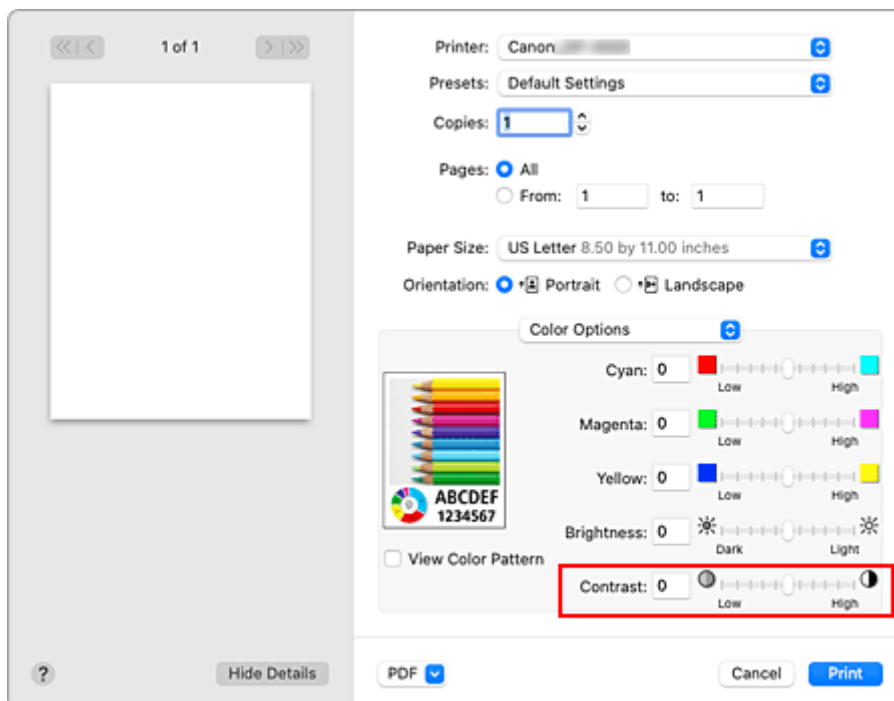
Adjust the contrast

The procedure for adjusting contrast is as follows:

1. Select **Color Options** from the pop-up menu of the [Print Dialog](#)
2. Adjust the contrast

Moving the **Contrast** slider to the right increases the contrast, and moving the slider to the left decreases the contrast.

You can also directly enter a value linked to the slider. Enter a value in the range from -50 to 50. The current settings are displayed in the settings preview on the left side of the printer driver.



3. Complete the setup

Click **Print**.

When you execute print, the image is printed with the adjusted contrast.

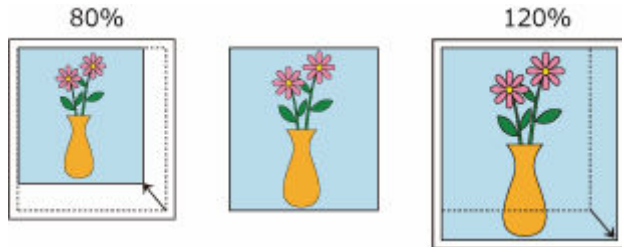
## Related Topics

- ➔ [Setting the Print Quality Level \(Custom\)](#)
- ➔ [Specifying Color Correction](#)
- ➔ [Adjusting Color Balance](#)
- ➔ [Adjusting Brightness](#)

## Scaled Printing

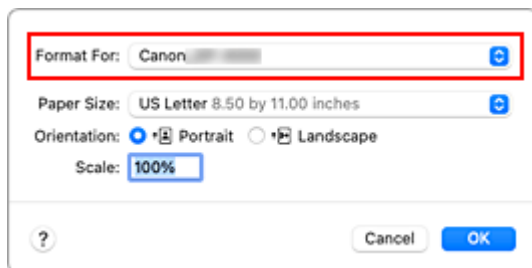
The procedure for printing a document with pages enlarged or reduced is as follows:

### Printing by Enlarging/Reducing Document to Specified Ratio



#### 1. Select the printer

In the [Page Setup Dialog](#), select your model name from the **Format For** list.



#### 2. Set scaled printing

Specify the scaling factor in the **Scale** box, and click **OK**.

#### ▶▶▶ Note

- Depending on the **Scale** value that you set, an error message may be displayed.

#### 3. Complete the setup

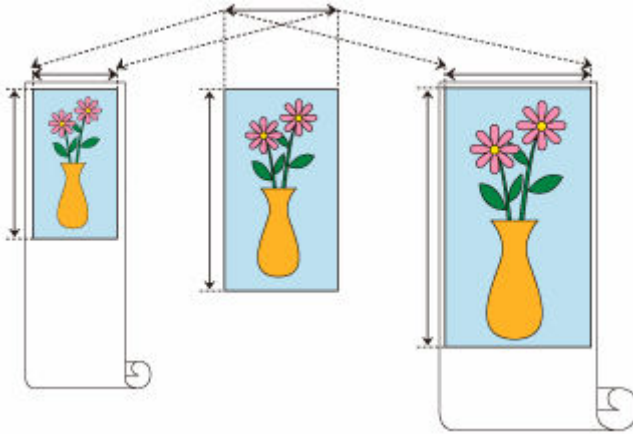
On the [Print Dialog](#), click **Print**.

When you execute print, the document will be printed with the specified scale.

#### ▶▶▶ Important

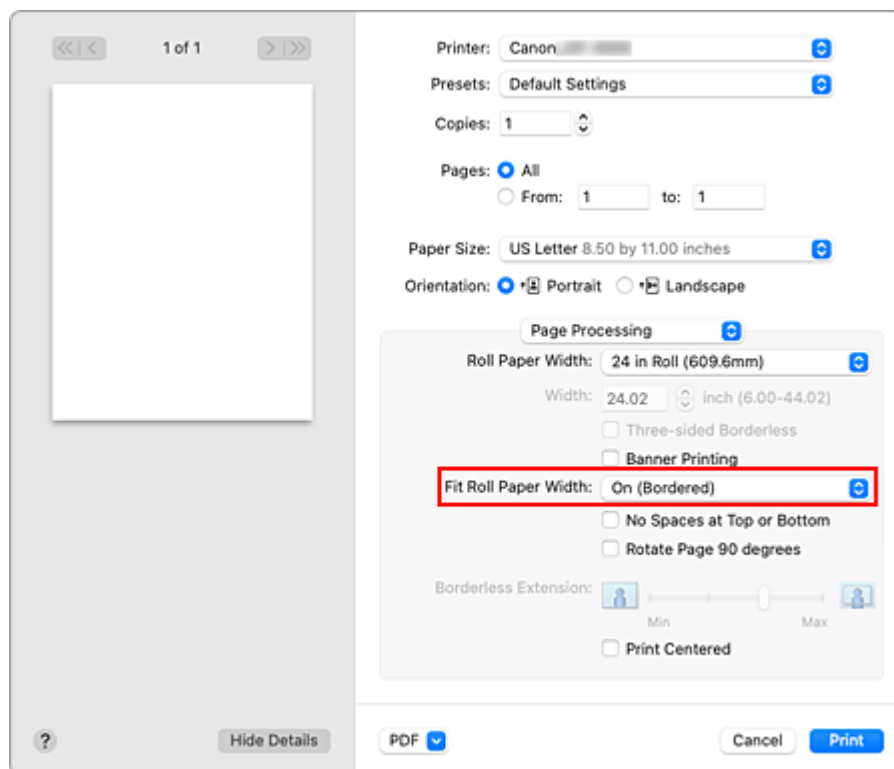
- When the application software which you used to create the original has the scaled printing function, configure the settings on your application software. You do not need to configure the same setting in the Page Setup dialog.

## Printing by Enlarging/Reducing Document to Match Roll Paper Width



1. Select **Page Processing** from the pop-up menu of the Print Dialog
2. Setting Enlarged/Reduced Printing

For **Fit Roll Paper Width**, select **On (Bordered)** or **On (Borderless)**.



### ➤➤➤ Note

- Depending on the **Paper Size** settings, the settings you can choose will differ.
- When selecting "XXX oversize" from **Paper Size**, **On (Borderless)** cannot be selected.

3. Complete the setup

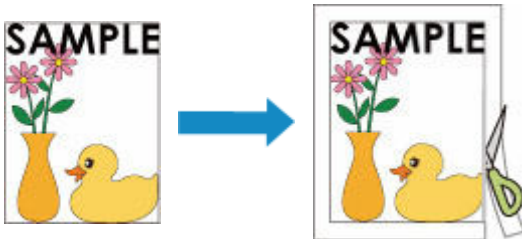
Click **Print**.

When you print, the document is expanded or reduced to match the roll paper width and then printed.

## Printing to Oversized Paper Sizes

When printing a created document so that it fills the entire paper width, select a paper size from the "XXX oversize" (sizes resulting from adding margins necessary for printer operation to the document sizes) so that all areas of the document are printed at their actual size.

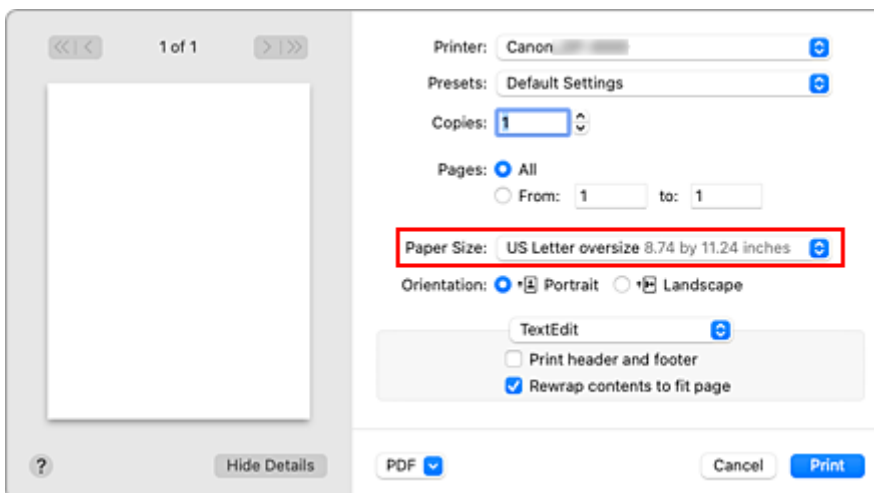
A printout that has the same area as the document can be obtained by trimming the outer margins after printing.



The procedure for printing with oversize is as follows:

### 1. Select oversized paper size

In the [Print dialog](#), select "XXX oversize" for **Paper Size**.



### 2. Select **Quality & Media** from the pop-up menu

### 3. Select the paper source

For **Paper Source**, select the paper source that matches your purpose from **Roll Paper (Auto)**, **Roll 1**, and **Roll 2**.

### ▶▶▶ Important

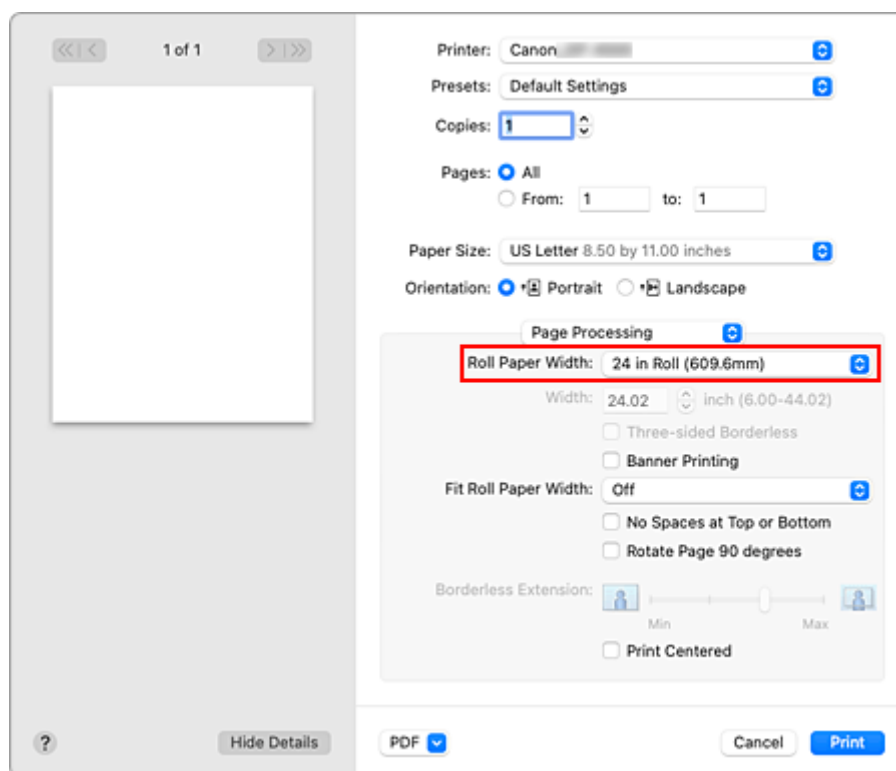
- The paper feed method will differ depending on the lower level (roll paper 2) settings or roll unit option settings.

### 4. Select **Page Processing** from the pop-up menu



## 5. Select roll paper width

Set **Roll Paper Width** to the width of the roll paper loaded in the printer.



## 6. Complete the setup

Click **Print**.

When you print, the document is printed so that it fills the paper width.

### »»» Important

- When printing to oversized paper sizes, use paper that has the following necessary margins added to the document size.
  - Cut sheet: 6 mm or more added to width and 23 mm or more added to height of document size
  - Roll paper: 6 mm or more added to width and 6 mm or more added to height of document size

### »»» Note

- An oversized paper size cannot be used for the largest paper size that can be loaded in the printer.

## Setting Paper Dimensions (Custom Size)

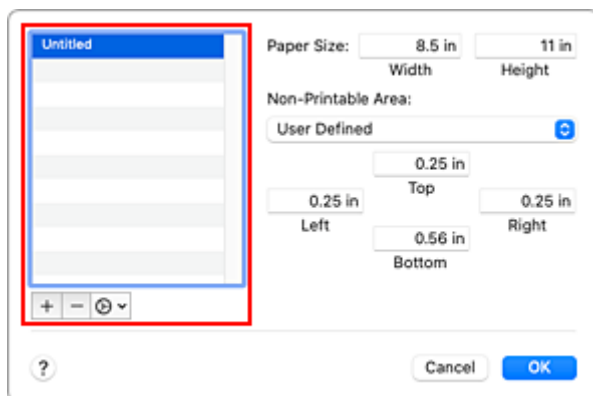
You can specify the height and width of paper when its size cannot be selected from the **Paper Size** menu. Such a paper size is called "custom size."

The procedure for specifying a custom size is as follows:

### 1. Creating a new custom paper size

In the [Print Dialog](#), select **Manage Custom Sizes...** from **Paper Size**.

In the displayed dialog, click **+**.



**Untitled** will be added to the list.

### 2. Setting details about the custom paper size

Double-click **Untitled**, enter the name of the paper size you want to register, and specify the **Width** and **Height** of the paper for **Paper Size**.

Select **User Defined** or your model for **Non-Printable Area**, and enter the margins.

### 3. Registering the custom paper size

Click **OK**.

The custom size is registered.

## ►►► Important

- If the application software that created the document has a function for specifying height and width values, use the application software to set the values. If the application software does not have such a function or if the document does not print correctly, perform the above procedure from the printer driver to set the values.

## ►►► Note

- To duplicate the registered paper size, select the paper size that you want to duplicate from the **Custom Paper Sizes** list, and click **Duplicate**.
- To delete a registered paper size, select the paper size that you want to delete from the **Custom Paper Sizes** list, and click **-**.

- If the paper settings in the printer driver differ from the paper information registered on the printer, an error message may appear on the printer's operation panel. You can still print but you may not be able to obtain correct print results.

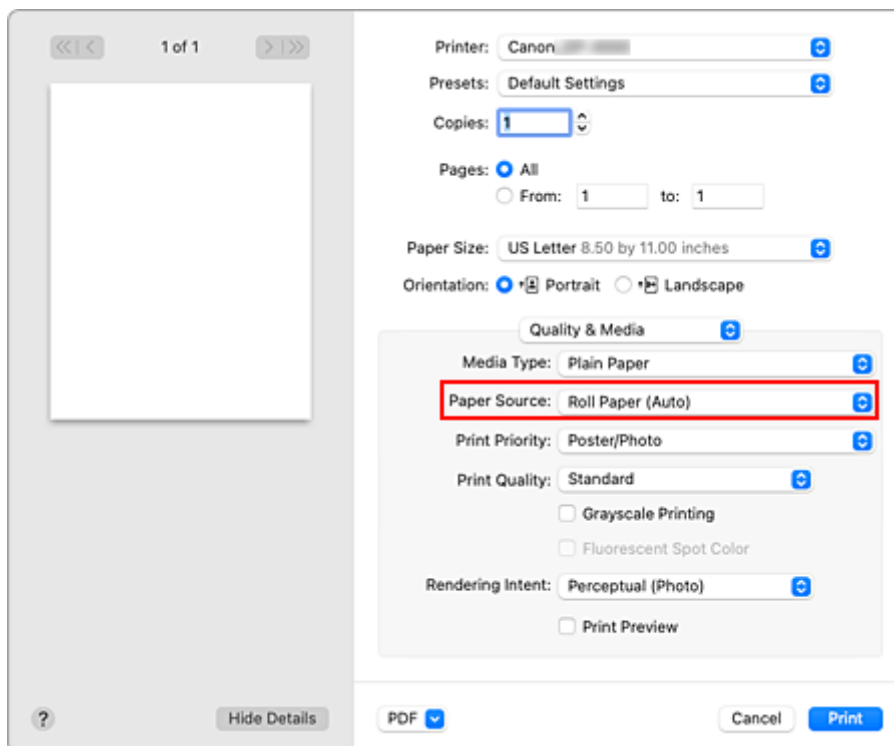
## Set a Custom Size Roll Width

By specifying the roll paper width with a value, you can use roll paper with a width that cannot be selected in **Roll Paper Width**.

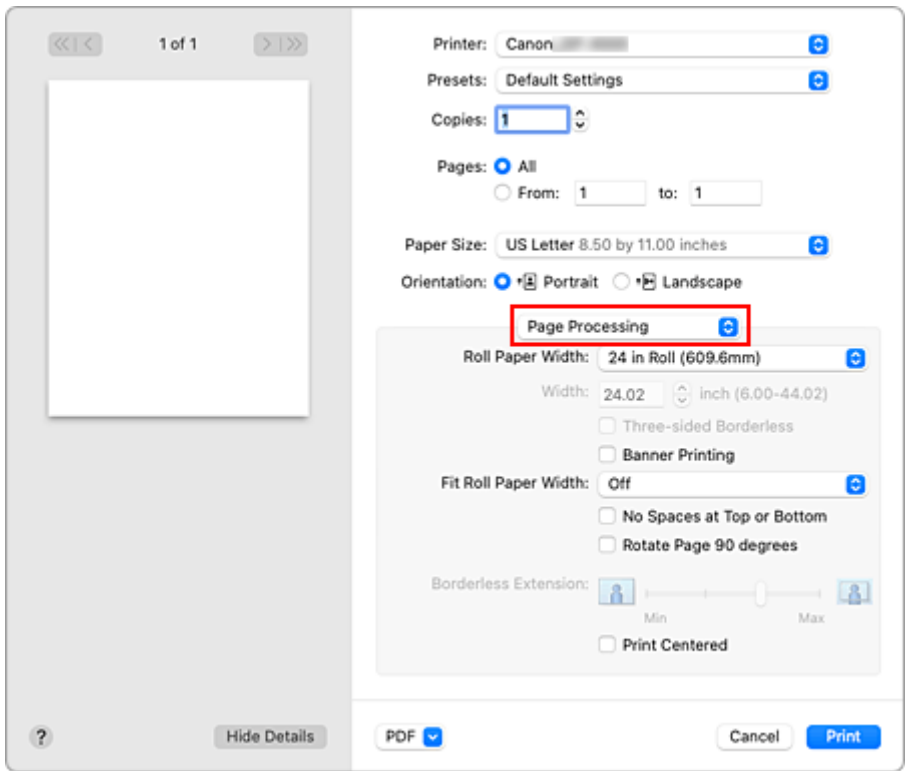
The procedure for setting custom size roll width is described below.

1. Select **Quality & Media** from the pop-up menu of the [Print Dialog](#)
2. Select the paper source

Select **Roll Paper (Auto)**, **Roll 1**, or **Roll 2** that matches your purpose for **Paper Source**.

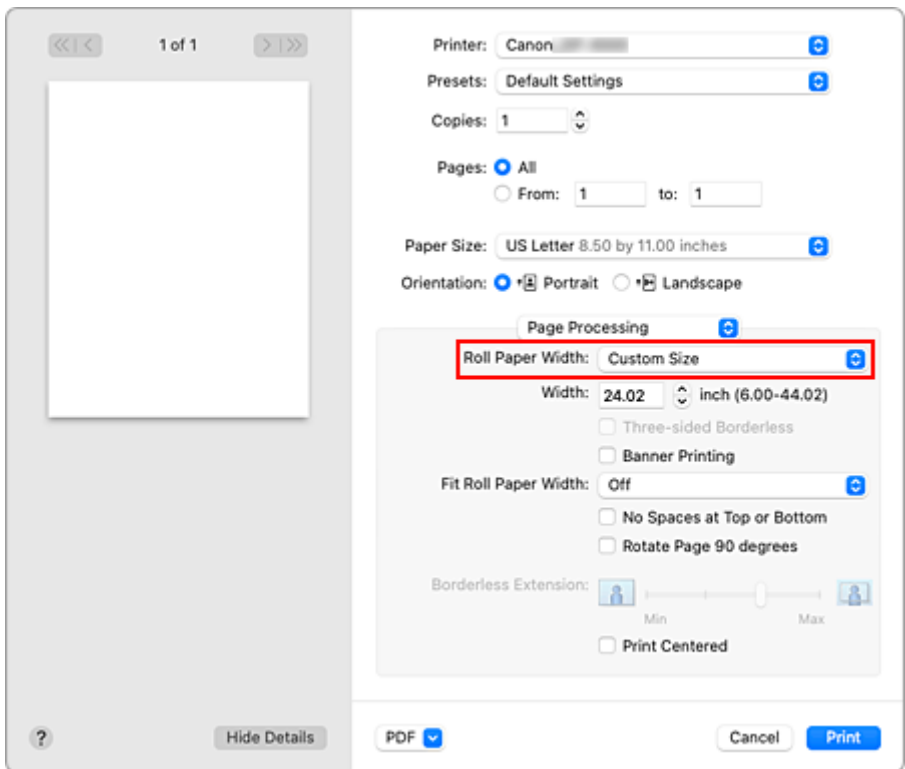


3. Select **Page Processing** from the pop-up menu



#### 4. Select paper roll width

Select **Custom Size** for Roll Paper Width.



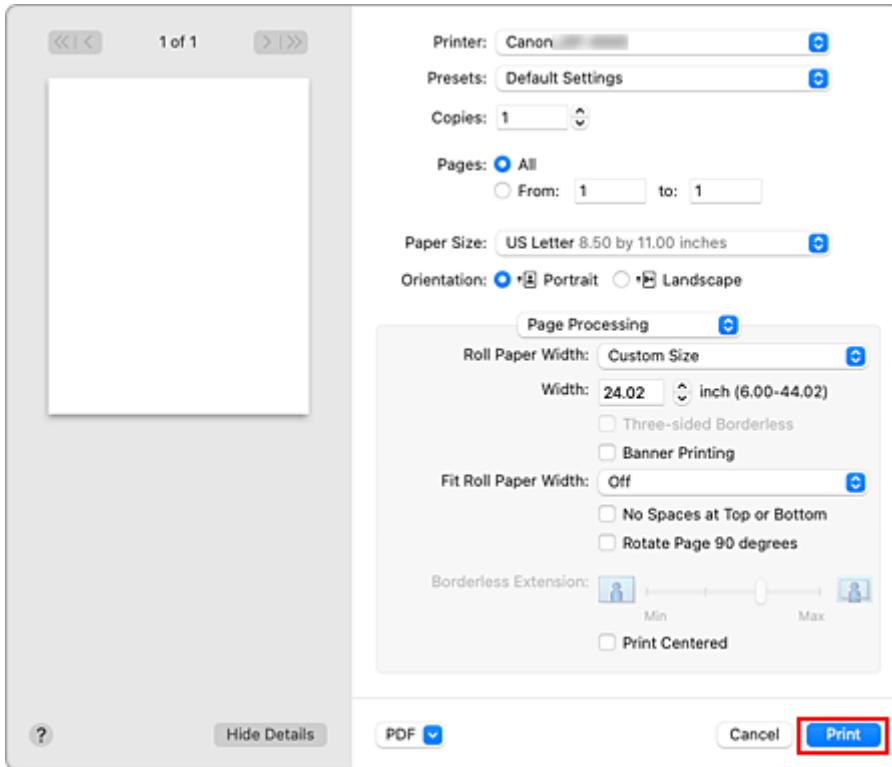
#### 5. Set paper roll width

Enter the roll width you want to use for **Width**.

## 6. Complete the setup

Click **Print**.

If you perform the print, the roll paper with the specified width will be used for printing.



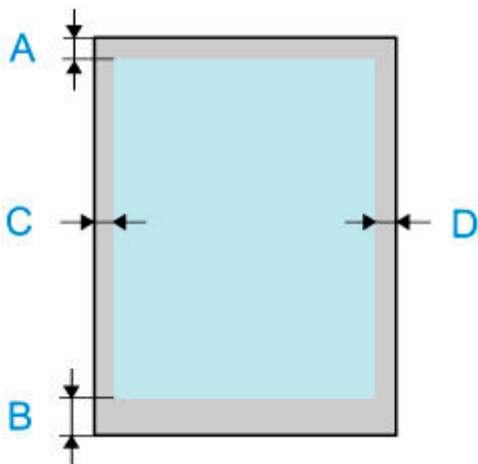
## Print Area

A margin required by the printer is added with respect to the size of paper loaded in the printer. Except in borderless printing, the actual printing area corresponds to the paper size minus the space for this margin.

### ▶▶▶ Note

- Printable Area: The area that can be printed.
- For borderless printing with roll paper, the margin is 0 in. (0 mm).  
However, depending on the paper size, minor margins may be available.
  - ➔ [Prints without Edges Based on the Scenarios](#)
- Recommended Print Area: We recommend printing within this area.
- To match the document size with the actual printing area, print on oversize paper with the required margin added.
  - ➔ [Printing to Oversized Paper Sizes](#)

## Sheets



A: Top Edge

B: Bottom Edge

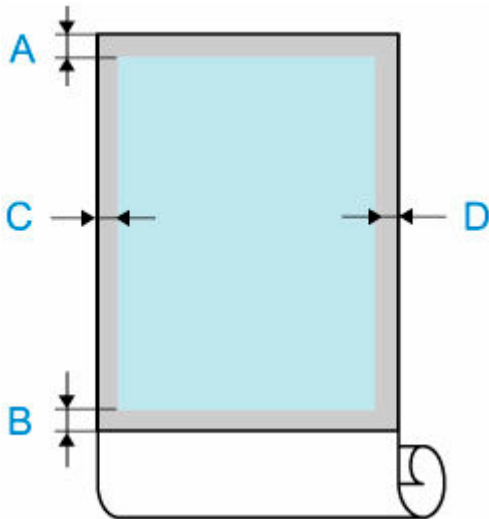
C: Left Edge

D: Right Edge

- Printable Area:  
A margin of 0.2 in. (3 mm) on top, 0.5 in. (12.7 mm) on bottom\*, and 0.2 in. (3 mm) on left and right sides is required.
- Recommended Print Area:  
A margin of 0.8 in. (20 mm) on top, 0.8 in. (20 mm) on bottom\*, and 0.2 in. (3 mm) on left and right sides is required.

\* The bottom margin for cut sheet depends on an OS and applications.

## Rolls



A: Top Edge

B: Bottom Edge

C: Left Edge

D: Right Edge

- **Printable Area:**

A margin of 0.2 in. (3 mm) on top and bottom and 0.2 in. (3 mm) on left and right sides is required. For borderless printing, the margins on top, bottom, left, and right are 0 in. (0 mm). For paper that supports borderless printing, see "Paper Information List."

- **Recommended Print Area:**

A margin of 0.8 in. (20 mm) on top, 0.2 in. (3 mm) on bottom, and 0.2 in. (3 mm) on left and right sides is required.

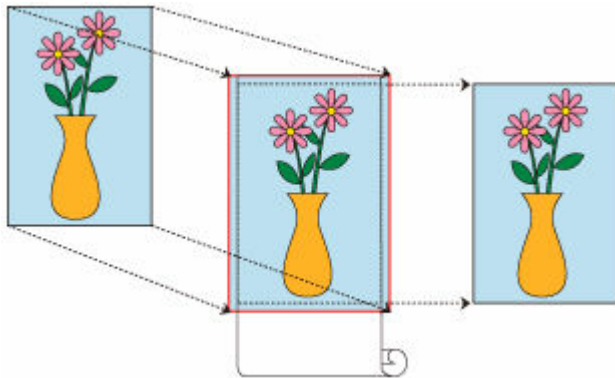


## **Printing without Edges Based on the Scenarios**

---

- **Printing without Margins to Match Roll Paper Width**
- **Printing Full-Size without Margins**
- **Three-sided Borderless Printing on Roll Paper**

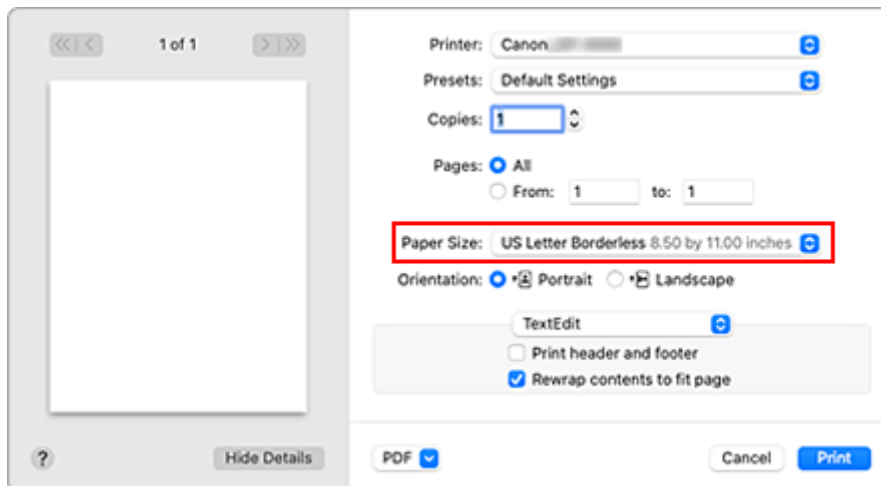
## Printing without Margins to Match Roll Paper Width



Procedure for printing borderless by enlarging/reducing documents to match roll paper width.

### 1. Select the paper size for whole-surface borderless printing

Select "XXX Borderless" from **Paper Size** in the [print dialog](#).



### 2. From the pop-up menu, select **Page Processing**

### 3. Select roll paper width

For paper roll width, enter the same value set in the printer under **Roll Paper Width**.

### 4. Select a method for printing on roll paper

In **Fit Roll Paper Width**, select **On (Borderless)**.

### 5. Complete setting process

Click **Print**.

If you print now, the document will be printed by filling in the entire surface of the paper.

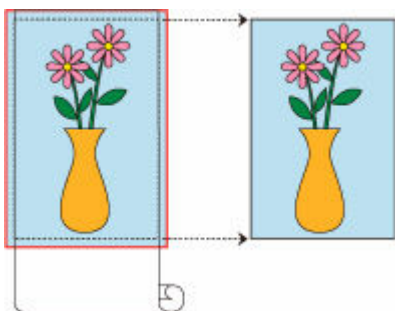
## »» Important

- If you want to print borderless using a custom paper size, create a custom paper size by choosing **Paper Size, Manage Custom Sizes...**, and setting all **Non-Printable Area** values to 0 mm. Next, choose **Page Processing, Fit Roll Paper Width** and select **On (Borderless)**.
- If you try to set borderless printing, in **Page Processing, Banner Printing** and **Print Centered** will be displayed in gray and you will not be able to configure them.
- Depending on paper size, the length/width ratio of the paper may be different from that of the image, making it impossible for the whole image to fit on the paper.  
When this happens, crop the image with the application software to match paper size.
- When printing borderless, printing may stop abruptly and the paper will be cut causing a slight color unevenness on the edges of the paper. If you require particularly high quality, go to **Automatic Cutting** under **Advanced Paper Settings**, and select **None**. When you do so, the document will be printed without the left and right margins. After the printed material has exited the printer and has been cut, cut the upper and lower edges with a pair of scissors.
- When printing borderless on paper with low ink-fixing properties, depending on frequency of use, the cutter unit may come into contact with the paper surface scratching it and causing the paper to be unevenly cut.  
You may be able to improve the situation by choosing **Advanced Paper Settings** and set **Dry Time (Between Pages)** to a higher value.
- The following roll paper supports borderless printing.
  - ➔ [Paper Sizes](#)
- If margins are formed on the left and right of the document, adjust the amount extending off paper during borderless printing from operation panel of the printer.  
See "[Borders appear in borderless printing](#)" for details on how to set the amount extending off paper.

## »» Note

- When using applications that allow you to set margins, set margins to 0 mm.

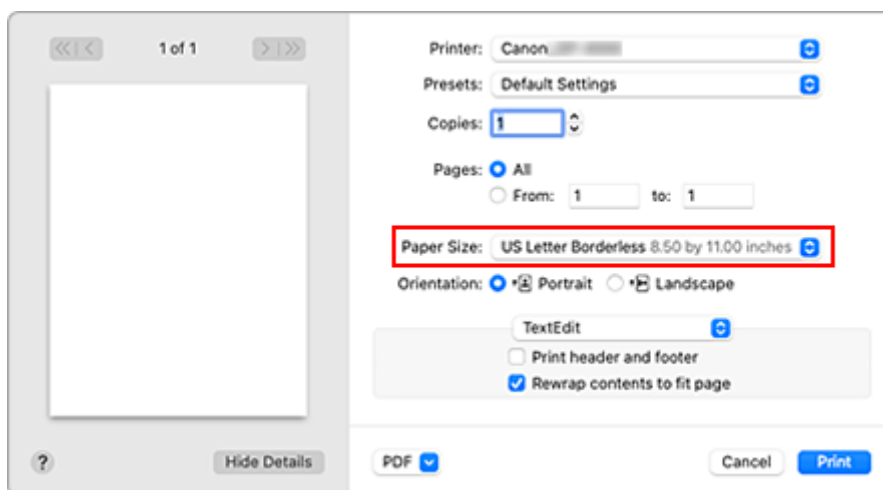
## Printing Full-Size without Margins



Procedure for printing borderless images in the same size as the original document without enlarging/reducing them

### 1. Select the paper size for whole-surface borderless printing

Select "XXX Borderless" from **Paper Size** in the [print dialog](#).



### 2. From the pop-up menu, select **Page Processing**

### 3. Select roll paper width

For paper roll width, enter the same value set in the printer under **Roll Paper Width**.

### 4. Select a method for printing on roll paper

For **Fit Roll Paper Width**, select **Off**.

### »» Important

- Depending on **Paper Size**, when setting **Fit Roll Paper Width** on **Off**, it may not be possible to print borderless.

### 5. Complete setting process

Click **Print**.

If you print now, the document will be printed by filling in the entire surface of the paper.

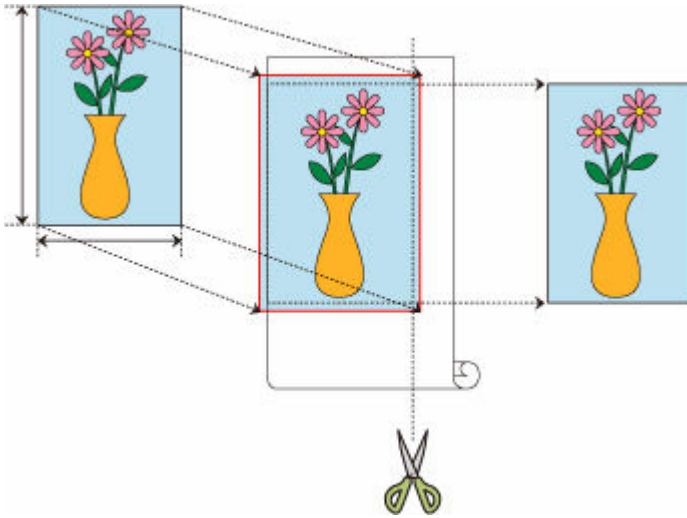
## »» Important

- If you try to set borderless printing, in **Page Processing**, **Banner Printing** and **Print Centered** will be displayed in gray and you will not be able to configure them.
- Depending on paper size, the length/width ratio of the paper may be different from that of the image, making it impossible for the whole image to fit on the paper.  
When this happens, crop the image with the application software to match paper size.
- When printing borderless, printing may stop abruptly and the paper will be cut causing a slight color unevenness on the edges of the paper. If you require particularly high quality, go to **Automatic Cutting** under **Advanced Paper Settings**, and select **None**. When you do so, the document will be printed without the left and right margins. After the printed material has exited the printer and has been cut, cut the upper and lower edges with a pair of scissors.
- When printing borderless on paper with low ink-fixing properties, depending on frequency of use, the cutter unit may come into contact with the paper surface scratching it and causing the paper to be unevenly cut.  
You may be able to improve the situation by choosing **Advanced Paper Settings** and set **Dry Time (Between Pages)** to a higher value.
- The following roll paper supports borderless printing.
  - ➔ [Paper Sizes](#)
- If margins are formed on the left and right of the document, adjust the amount extending off paper during borderless printing from operation panel of the printer.  
See "[Borders appear in borderless printing](#)" for details on how to set the amount extending off paper.

## »» Note

- When using applications that allow you to set margins, set margins to 0 mm.

## Three-sided Borderless Printing on Roll Paper



With the three-sided borderless printing feature, you can print with no borders on three sides if the paper sizes don't match the roll paper width.

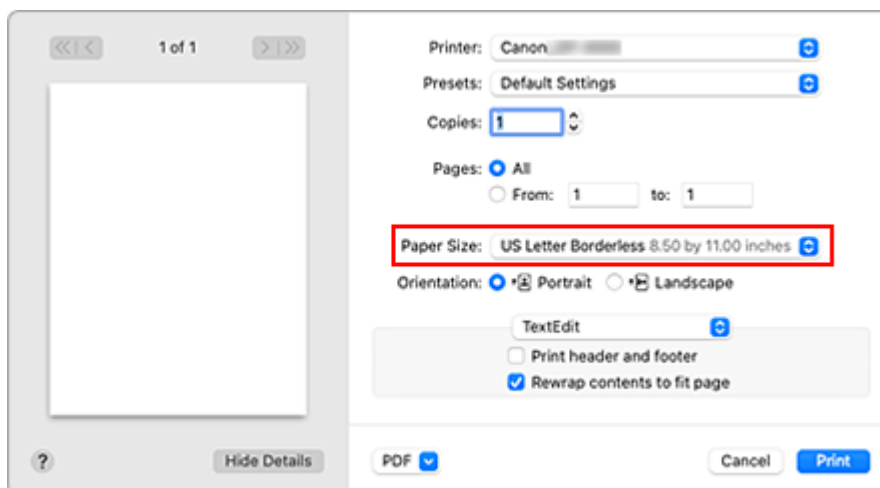
You can complete borderless printing by cutting the right side of the paper after printing.

## Three-sided Borderless Printing to Match Paper Size

The procedure for three-sided borderless printing by enlarging or reducing documents to match paper size is described below.

### 1. Select the paper size for whole-surface borderless printing

Select "XXX Borderless" from **Paper Size** in the [print dialog](#).



### 2. From the pop-up menu, select **Paper Handling**

### 3. Place a checkmark next to **Scale to fit paper size**

### 4. Select paper size

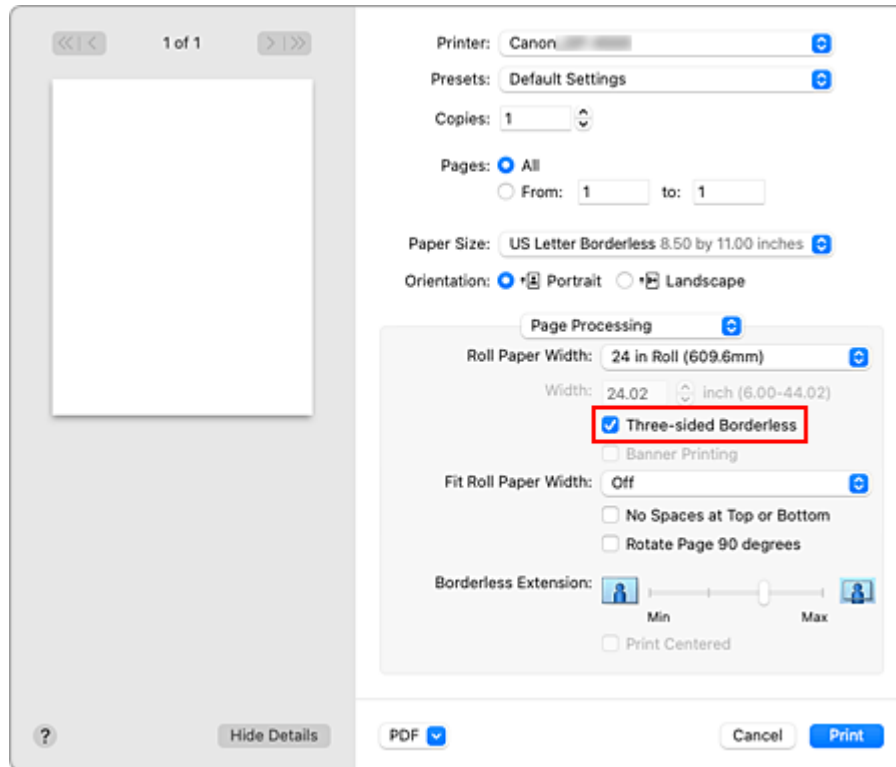
Select "XXX Borderless" in **Destination Paper Size**.

**5. From the pop-up menu, select Page Processing**

**6. Select roll paper width**

For paper roll width, enter the same value set in the printer under **Roll Paper Width**.

**7. Place a checkmark next to Three-sided Borderless**



**8. Complete setting process**

Click **Print**.

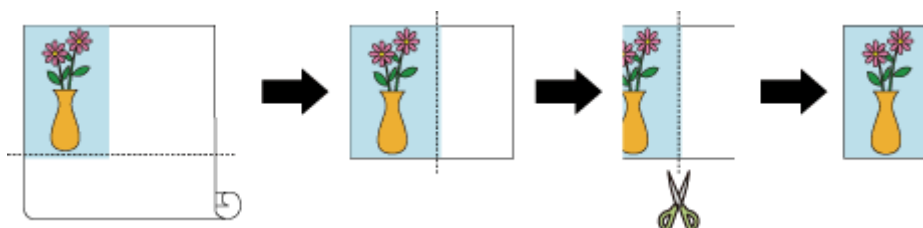
If you print now, the document will be printed without margins on three sides to fit the paper size.

**9. Cut the right side of the paper**

Cut the margin on the right side of the paper with scissors after printing.

Cut slightly to the inside of the margin as the document is enlarged to extend slightly beyond the specified size.

To get the document to standard size, it is recommended to take measurements and cut in the correct positions.

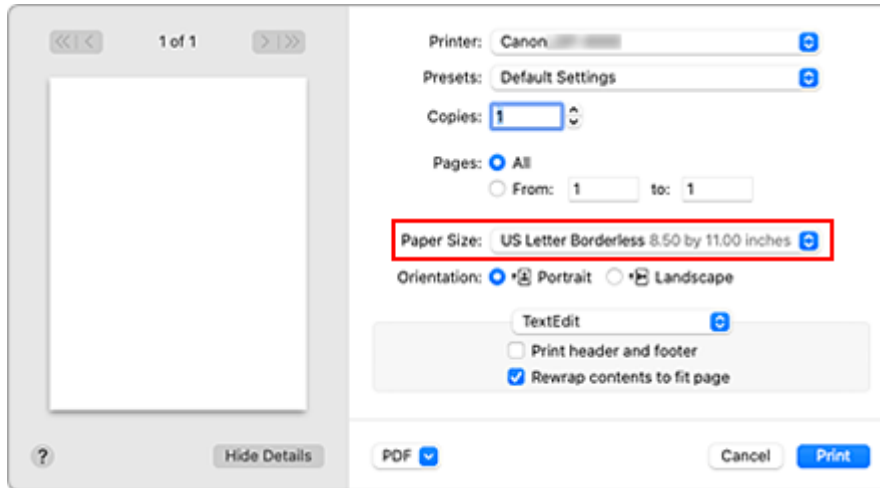


## Printing Full-Size without Margins on Three Sides

The procedure for three-sided borderless printing in the same size as the original document without enlarging or reducing the size is described below.

### 1. Select the paper size for whole-surface borderless printing

Select "XXX Borderless" from **Paper Size** in the [print dialog](#).



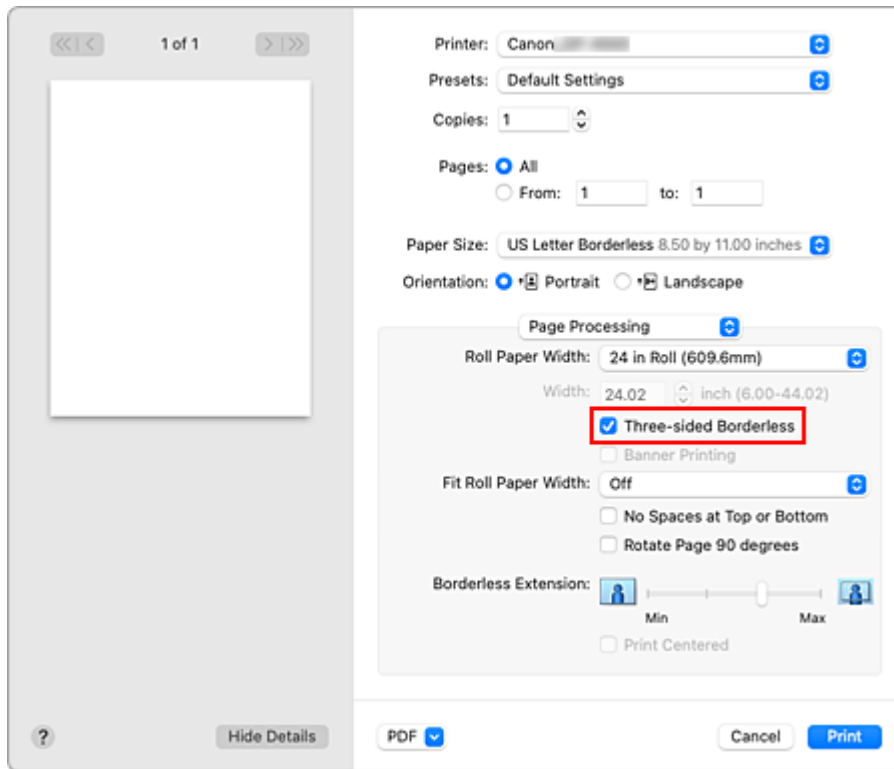
### 2. From the pop-up menu, select **Page Processing**

### 3. Select roll paper width

For paper roll width, enter the same value set in the printer under **Roll Paper Width**.

### 4. Place a checkmark next to **Three-sided Borderless**





## 5. Select a method for printing on roll paper

For **Fit Roll Paper Width**, select **Off**.

## 6. Complete setting process

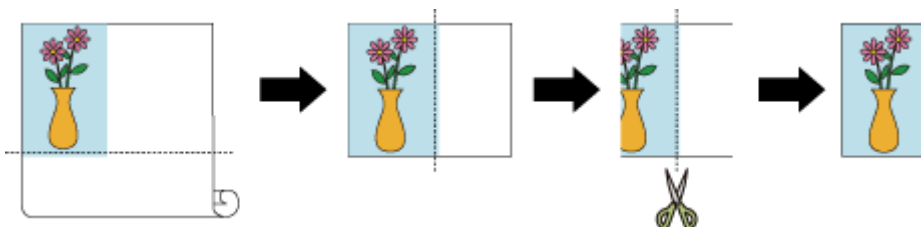
Click **Print**.

If you print now, the document will be printed without margins on three sides while retaining the same document size.

## 7. Cut the right side of the paper

Cut the margin on the right side of the paper with scissors after printing.

To get the document to standard size, it is recommended to take measurements and cut in the correct positions.



## ▶▶▶ Important

- If you try to set borderless printing, in **Page Processing**, **Banner Printing** and **Print Centered** will be displayed in gray and you will not be able to configure them.

- Depending on paper size, the length/width ratio of the paper may be different from that of the image, making it impossible for the whole image to fit on the paper.  
When this happens, crop the image with the application software to match paper size.
- When printing borderless, printing may stop abruptly and the paper will be cut causing a slight color unevenness on the edges of the paper. If you require particularly high quality, go to **Automatic Cutting** under **Advanced Paper Settings**, and select **None**. When you do so, the document will be printed without the left and right margins. After the printed material has exited the printer and has been cut, cut the upper, lower, and right edges with a pair of scissors.
- When printing borderless on paper with low ink-fixing properties, depending on frequency of use, the cutter unit may come into contact with the paper surface scratching it and causing the paper to be unevenly cut.  
You may be able to improve the situation by choosing **Advanced Paper Settings** and set **Dry Time (Between Pages)** to a higher value.
- The following roll paper supports borderless printing.  
➔ [Paper Sizes](#)
- If margins are formed on the left of the document, adjust the amount extending off paper during borderless printing from operation panel of the printer.  
See "[Borders appear in borderless printing](#)" for details on how to set the amount extending off paper.

#### ▶▶▶ Note

- When using applications that allow you to set margins, set margins to 0 mm.

## Printing Hanging and Horizontal Banners (Large-Format Printing)

A drapery or banner up to 18.0m can be made by enlarging or reducing original documents made on application software.

However, there are cases in which an 18.0 meter banner cannot be printed because the application software used has limits on the document size that can be set.

The procedure for printing hanging and horizontal banners is as follows:

### 1. Register custom paper size

From **Paper Size**, use **Manage Custom Sizes...** to [register the paper size](#) that you want to use.

### 2. Select the paper size

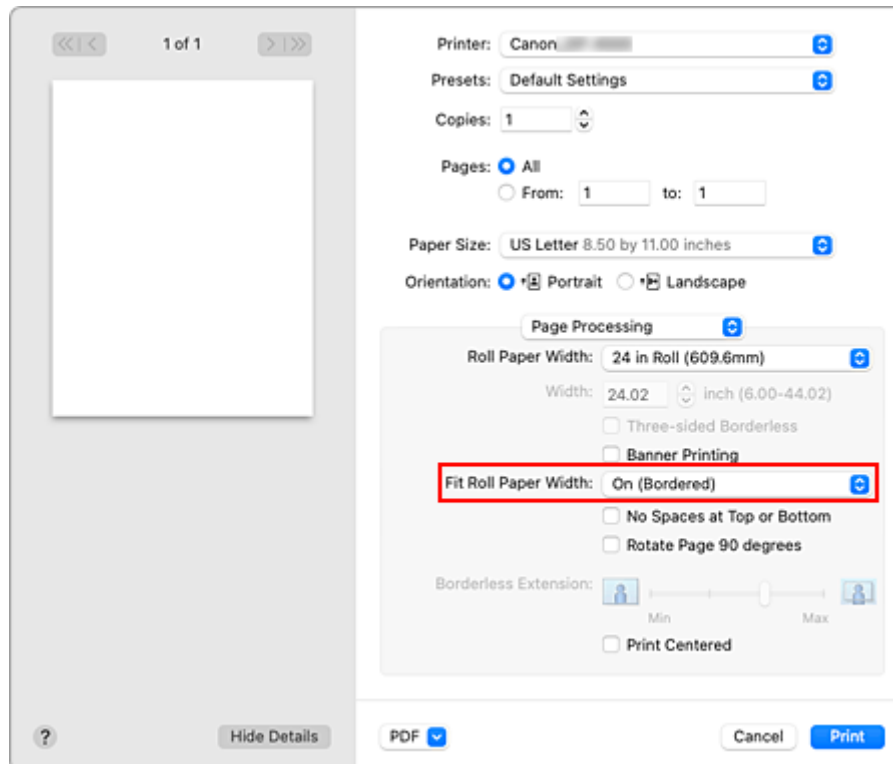
In the [Print dialog](#), select a registered custom paper size from the **Paper Size** list.

### 3. Select **Page Processing** from the pop-up menu

### 4. Select roll paper width

Set **Roll Paper Width** to the width of the roll paper loaded in the printer.

### 5. Selecting **On (Bordered)** or **On (Borderless)** for **Fit Roll Paper Width**



## Important

- When using the customer paper size and printing the whole sheet without edges, create a paper size with the **Non-Printable Area** values all set to 0mm in **Manage Custom Sizes...** from **Paper Size**, and select **On (Borderless)** from the **Fit Roll Paper Width** in **Page Processing**.

### 6. Complete the setup

Click **Print**.

When you print, the hanging or horizontal banner is printed by using the custom paper size.

## **Printing by Dividing/Joining Documents**

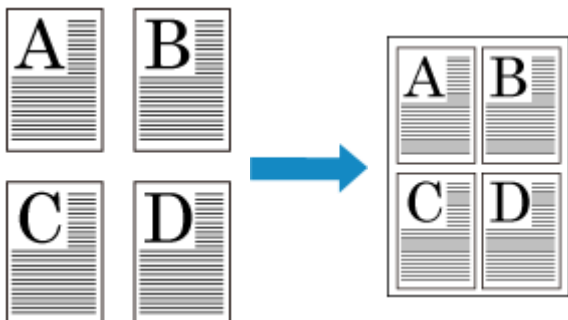
---

- **Lining Up and Printing Multiple Documents**
- **Printing by Connecting Multiple Pages**
- **Printing Multiple Pages All on One Page**

## Lining Up and Printing Multiple Documents

---

You can line up multiple documents that were created separately and print them together on one page.



The procedure for lining up and printing multiple documents is as follows:

1. In [Print dialog](#), select Canon imagePROGRAF Free Layout for **PDF**

Canon imagePROGRAF Free Layout is started.

Canon imagePROGRAF Free Layout allows you to edit and rearrange images.

2. Execute printing

From the **File** menu of Canon imagePROGRAF Free Layout, select **Print...** to execute printing.

## Printing by Connecting Multiple Pages

Print documents with several pages as one continuous document. When you do this, the spaces between the pages will be removed.

The procedure for printing by connecting multiple pages is as follows:

1. Select **Quality & Media** from the pop-up menu of the [Print Dialog](#)

2. Select the paper source

Select **Roll Paper (Auto)**, **Roll 1** or **Roll 2** that matches your purpose for **Paper Source**.

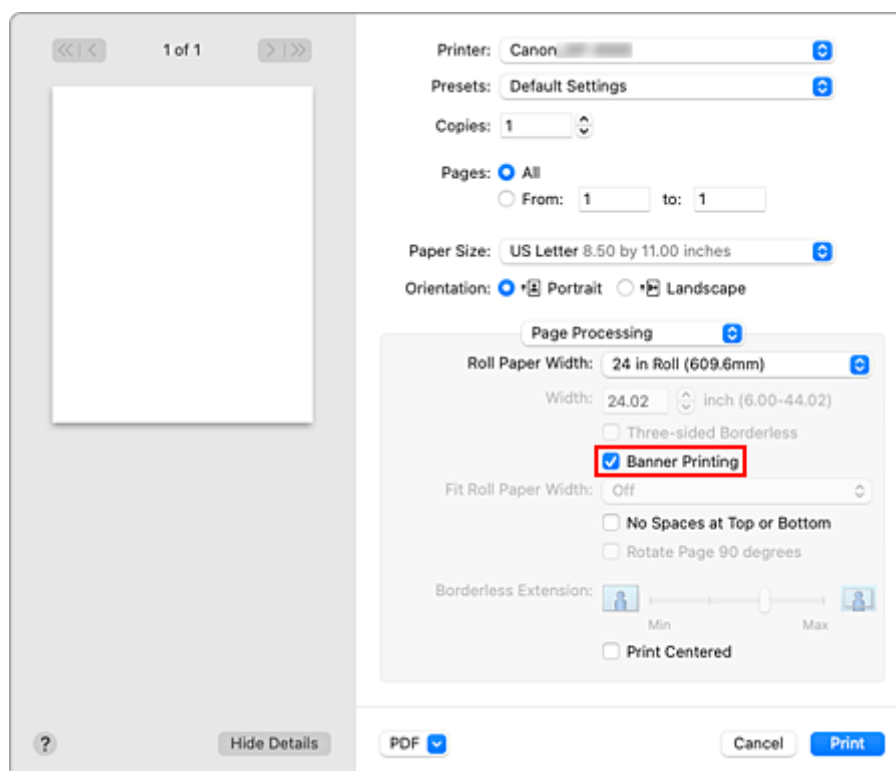
### ▶▶▶ Important

- The paper feed method will differ depending on the lower level (roll paper 2) settings or roll unit option settings.

3. Select **Page Processing** from the pop-up menu

4. Setting Banner Printing

Check the **Banner Printing** check box.



5. Complete the setup

Click **Print**.

When you print, the document is printed with the multiple pages connected.

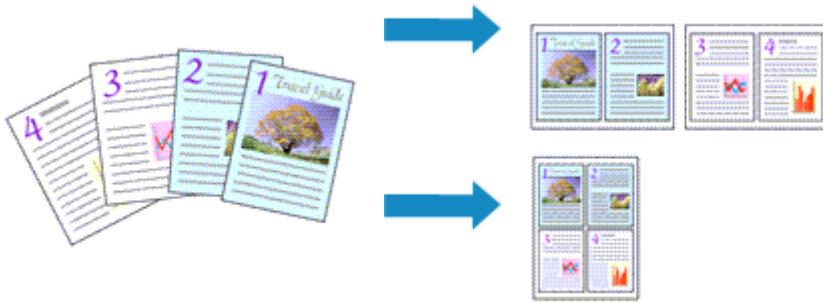
## **»» Important**

- When "XXX Borderless" or "XXX Cut Sheet" is selected for **Paper Size** in the Print dialog, **Banner Printing** is grayed out and cannot be set.



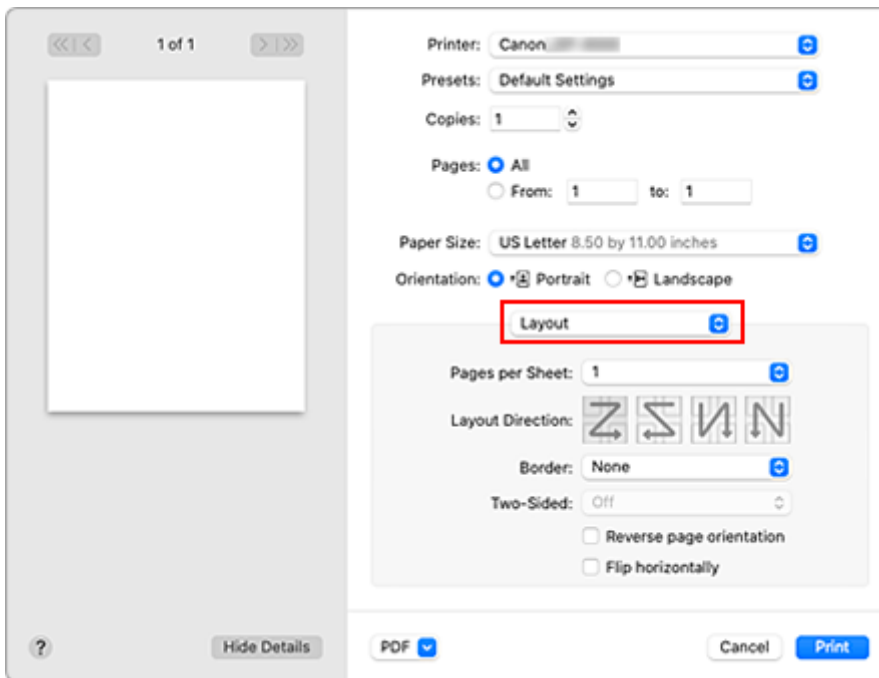
# Printing Multiple Pages All on One Page

The page layout printing function allows you to print more than one page image on a single sheet of paper.



The procedure for performing page layout printing is as follows:

1. Select **Layout** from the pop-up menu in the [Print Dialog](#)



2. Set the number of original you print on one page

In **Pages per Sheet**, specify the number of page you print on one page.

3. If necessary, set the following items

### Layout Direction

To change the page placement order, select an icon from the list.

### Border

To print a page border around each document page, select a type of page border.

### Reverse page orientation

Select this check box to change the paper orientation.

**Flip horizontally**

Select this check box to reverse left and right of the document.

**4. Complete the setup**

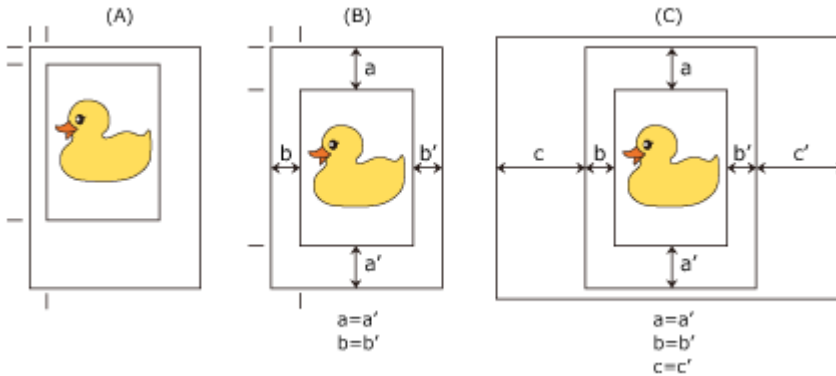
Click **Print**.

When you execute print, the specified number of pages will be arranged on each sheet of paper in the specified order.

## Printing Document in Center of Paper

When you want to position the source document in the middle of the cut paper and print, or print with even margins on the right and left in relation to the width of the roll paper, use the **Print Centered** function.

The print results when setting with **Print Centered** are as follows. Normally, if **Print Centered** is set when printed as in (A), it will be printed as in (B) for cut paper and (C) for roll paper.



### Note

- When setting the magnification using **Scale** in the [Page Setup Dialog](#), a fixed point at the upper left corner of a page is always used as a start point for enlarging or reducing the page. For that reason, when performing reduced printing, the bottom and right margins of the paper will increase. At this time, if you place a checkmark next to **Print Centered**, the top, bottom, left and right margins can all be printed evenly.

The procedure for printing to the center of the paper is as follows:

#### 1. Select the paper size

From **Paper Size**, select the size of the paper you want to print.

#### 2. Select **Quality & Media** from the pop-up menu

#### 3. Select the media type

For **Media Type**, select the same paper type loaded in the printer.

#### 4. Select the paper source

For **Paper Source**, select the setting that matches your purpose.

### Important

- The paper feed method will differ depending on the lower level (roll paper 2) settings or roll unit option settings.

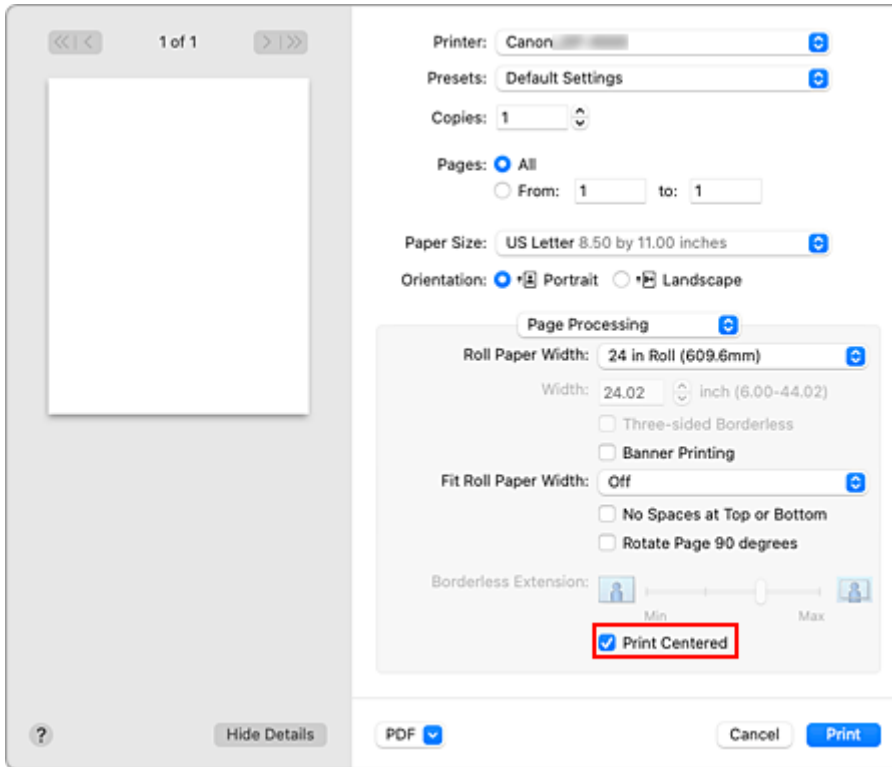
#### 5. Select **Page Processing** from the pop-up menu

#### 6. Selecting Roll Paper Width

If you selected a roll paper for **Paper Source**, set **Roll Paper Width** to the width of the roll paper loaded in the printer.

## 7. Print document in the center of paper

Check the **Print Centered** check box.



## 8. Complete the setup

Click **Print**.

When you print, the printer automatically lays out the document to the center of the page and then prints it.

### »»» Important

- When you select "XXX Borderless" from **Paper Size** in the print dialog, the **Print Centered** is grayed out and cannot be selected.

## **Printing by Saving Roll Paper**

---

- **Saving Roll Paper by Rotating Document 90 Degrees**
- **Saving Roll Paper by Eliminating Upper and Lower Margins on Document**

## Saving Roll Paper by Rotating Document 90 Degrees

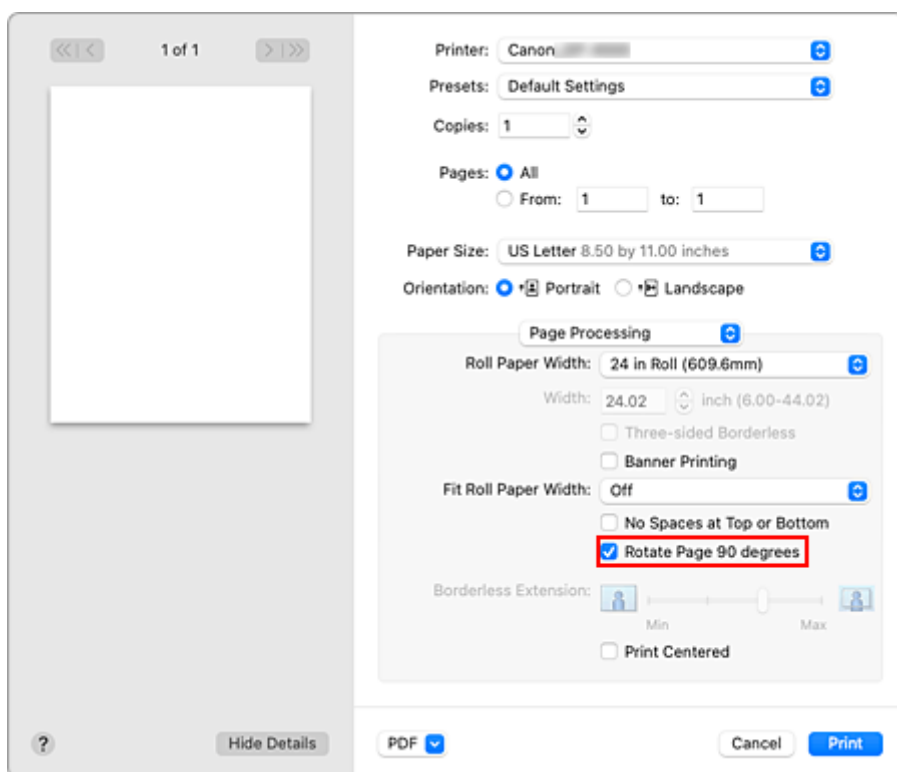
When printing a portrait document on roll paper, you can save paper by rotating the document 90 degrees and printing the document so that it is oriented horizontally relative to the paper.

The procedure for saving paper by rotating the document 90 degrees is as follows:

1. Select **Page Processing** from the pop-up menu of the [Print Dialog](#)

2. Selecting Paper Saving

Select the **Rotate Page 90 degrees** check box.



3. Complete the setup

Click **Print**.

When you print, you can rotate a portrait document 90 degrees to save paper.

### Important

- If the **Banner Printing** check box is selected for **Page Processing**, **Rotate Page 90 degrees** is grayed out and cannot be set.
- When selecting paper in portrait format from **Paper Size** in the print dialog, when this is longer than the width selected in **Roll Paper Width**, **Rotate Page 90 degrees** cannot be used.

## Saving Roll Paper by Eliminating Upper and Lower Margins on Document

When printing on roll paper, you can save paper by reducing the upper and lower margins when printing.

The procedure for saving paper by reducing the upper and lower margins is as follows:

1. Select **Quality & Media** from the pop-up menu of the [Print Dialog](#)

2. Select the paper source

Select **Roll Paper (Auto)**, **Roll 1**, or **Roll 2** that matches your purpose for **Paper Source**.

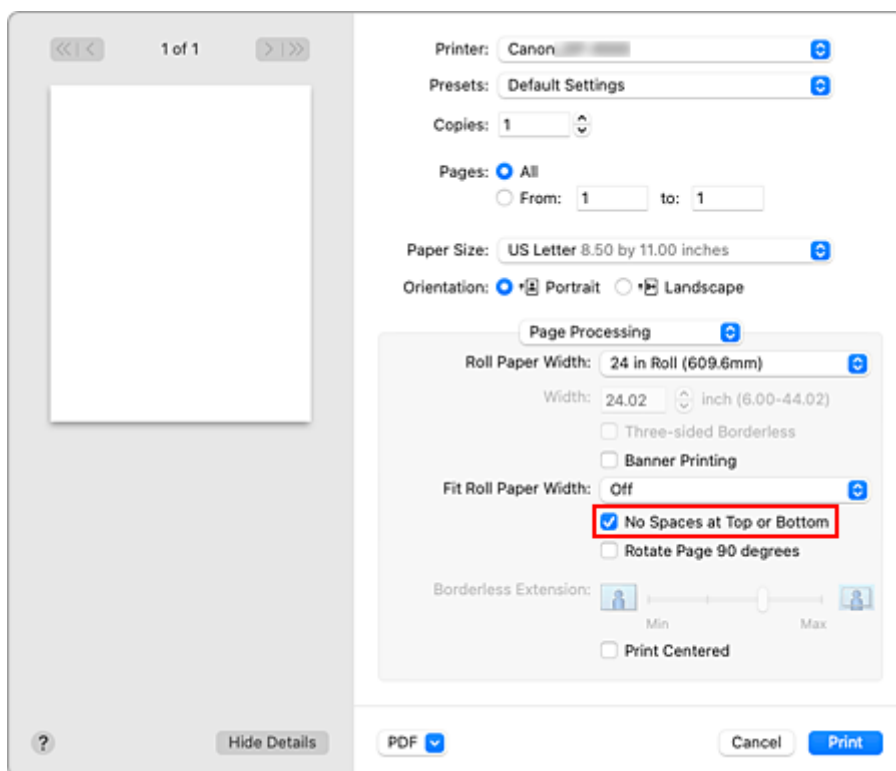
### »»» Important

- The paper feed method will differ depending on the lower level (roll paper 2) settings or roll unit option settings.

3. Select **Page Processing** from the pop-up menu

4. Selecting Paper Saving

Check the **No Spaces at Top or Bottom** check box.



5. Complete the setup

Click **Print**.

When you print, the upper and lower margins are reduced so that you can save paper.

## Switching the Paper Source to Match the Purpose

This printer has three paper sources: Roll 1, Roll 2, and Cut Sheet.

You can facilitate printing by selecting a paper source setting that matches your media type or purpose.

The procedure for setting paper source is as follows:

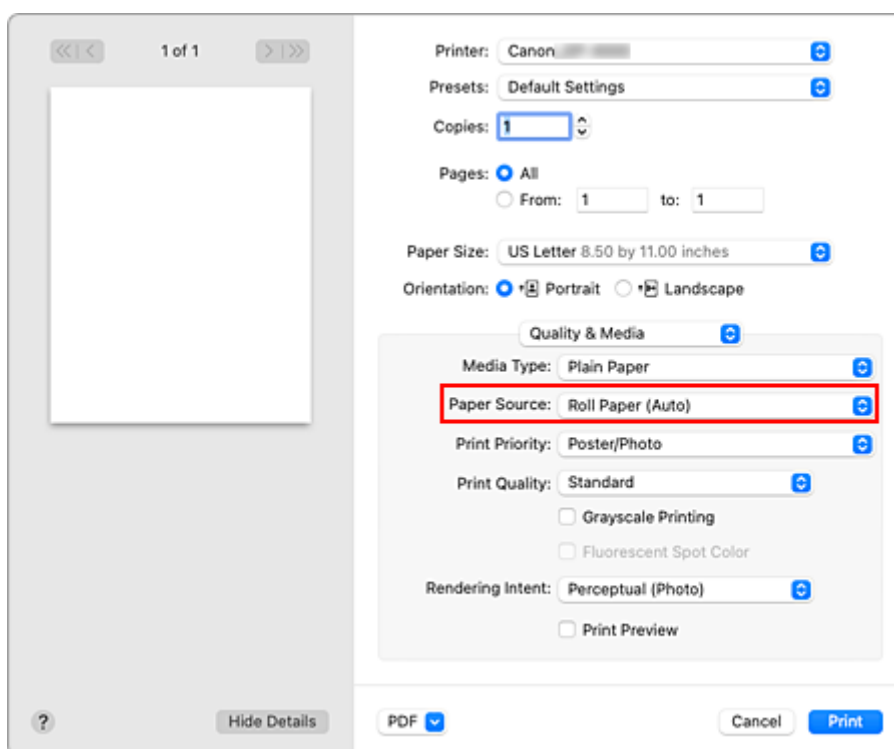
1. Select **Quality & Media** from the pop-up menu of the [Print Dialog](#)

2. Select the media type

For **Media Type**, select the same paper type loaded in the printer.

3. Select the paper source

For **Paper Source**, select the item below that matches your purpose.



### Roll Paper (Auto)

Feeds paper by automatically switching between Roll 1 and Roll 2 according to the print job.

### Roll 1

Feeds paper from Roll 1.

### Roll 2

Feeds paper from Roll 2.

### Cut Sheet

Feeds paper that was cut to a specific paper size.



### **Important**

- The paper feed method will differ depending on the lower level (roll paper 2) settings or roll unit option settings.

#### **4. Complete the setup**

Click **Print**.

When you execute print, the printer uses the specified paper source to print the data.

### **Note**

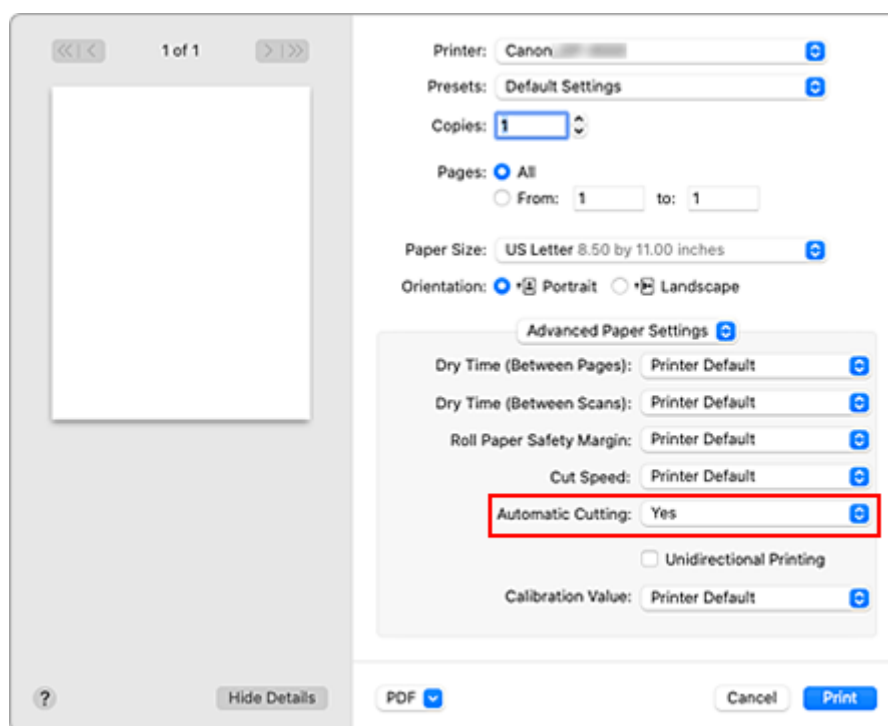
- If the paper settings in the printer driver differ from the paper information registered on the printer, an error message may appear on the printer's operation panel. You can still print but you may not be able to obtain correct print results.

## Cutting Roll Paper after Printing

The procedure for cutting roll paper automatically and printing cut guidelines is as follows:

1. Select **Advanced Paper Settings** from the pop-up menu of the [Print Dialog](#)
2. Setting Auto Cut

From **Automatic Cutting**, select the setting that matches your purpose.



### Yes

The roll paper is cut automatically after printing.

### None

The roll paper is not cut after printing.

### Print Cut Guideline

Cut guidelines are printed for cutting the roll paper manually after printing.

### ▶▶▶ Note

- The default setting for automatic cutting is **Yes**.

3. Complete the setup

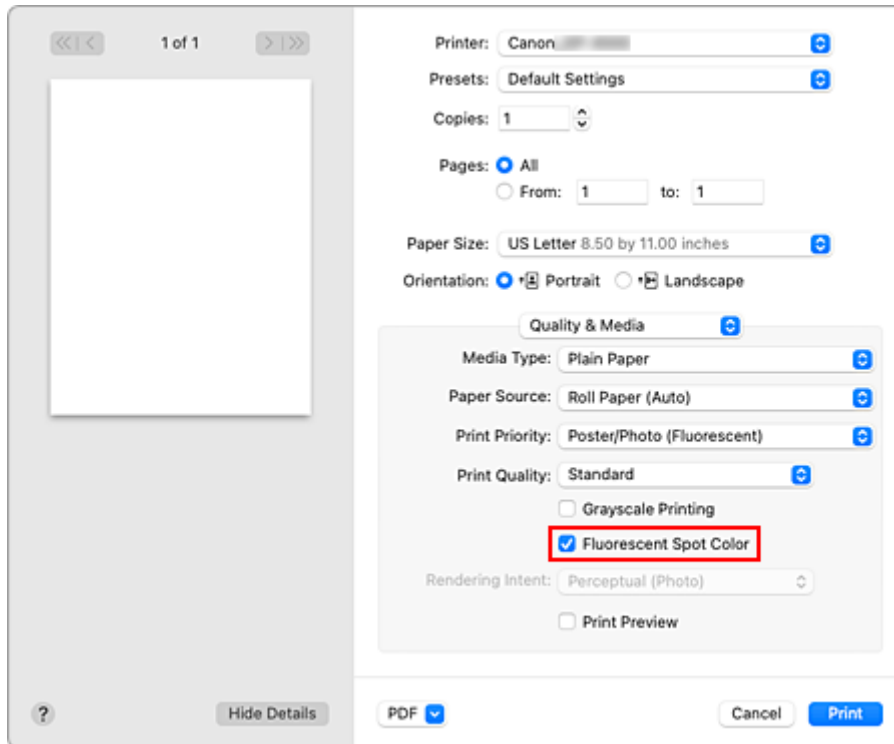
Click **Print**.

When you print, the status after printing is set to whatever was set in **Automatic Cutting**.

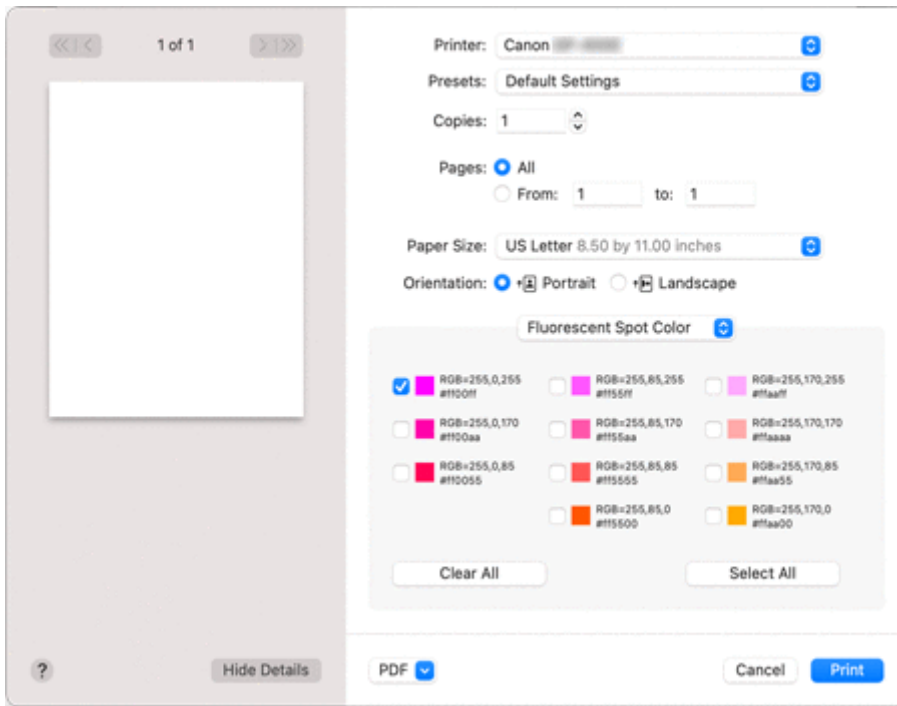
## Specify Fluorescent Colors and Print

You can set specific RGB values in advance for text and figures that are painted over (single-color painting) with the color palette of the application you are using, and print the specified sections of posters with bright colors using fluorescent ink.

1. Add a checkmark to **Fluorescent Spot Color** in **Quality & Media**.



2. Select **Fluorescent Spot Color** from the pop-up menu, and then add a checkmark to the color of the fluorescent ink you want to print with.



You can print the color palette from the printer operation panel. Print to the paper of your choice, and set the RGB values as you check the colors.

➔ [Test print](#)

### 3. Print

The color that you added the checkmark for will be brightly printed.

#### ▶▶▶ Note

- When printing by specifying fluorescent colors, the RGB values set by the application software must be retained when being input to the printer driver. If color management is performed during printing by the application software, the RGB values are not retained, and therefore may not produce the desired print results. If this happens, configure the settings on the application software as follows.
  - For detailed instructions on settings, see the user's guide of the application software you are using.
    - Disable color management and color adjustment functions during printing.
    - Configure settings so that color management during printing is performed by the printer.
    - For color management during printing, specify the same profile as the document profile.
- Under the following conditions, printing may not produce the desired results.
  - Text or shapes that have been shaded, rotated, or anti-aliased
  - Data with specified RGB values that were saved in GIF format
- Sections that are close to the specified RGB values will also be printed with bright colors.

## Printing Using AirPrint

You can print photographs, E-mails, web pages, and other documents using AirPrint, even if the printer driver is not installed or the application is not downloaded.

### »» Important

- There are [restrictions](#) for printing with AirPrint. Please be aware in advance. If you want to use all the functions of the printer, use the Canon IJ printer driver.

## Checking Your Environment

First, check your environment.

- AirPrint Operation Environment
  - Mac running the latest version of OS
- Requirement
  - The Mac and the printer must be connected by one of the following methods:
    - Connected to the same network over a **LAN**
    - Connected directly without wireless router (Direct Connection)
    - Connected by USB

## Add The Printer as AirPrint Printer on Your Mac

1. Open **System Preferences** -> **Printers & Scanners**
2. Click **+** next to the printer list
3. Select your printer listed as **Bonjour**
4. Select **Secure AirPrint** from **Use**
5. Click **Add**

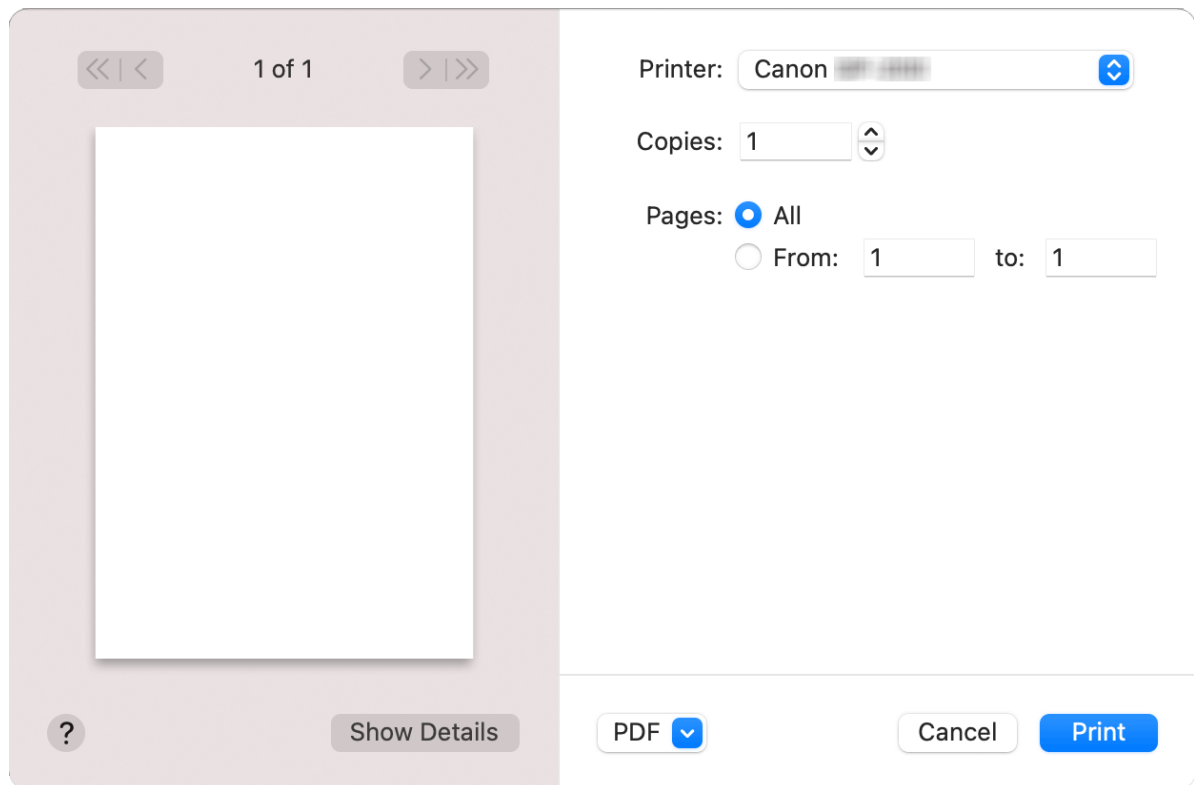
The Printer will be added as AirPrint Printer on Your Mac

## Print with AirPrint from a Mac

1. [Check that printer is turned on](#)
2. Load paper in printer
  - Set [roll paper](#) or [cut paper](#).
3. Start printing from your application software
  - The Print dialog opens.

#### 4. Select printer

Select your model from the **Printer** list in the Print dialog.



#### ▶▶▶ Note

- Click **Show Details** to switch the setup window to the detailed display.

#### 5. Check print settings

Set paper size and other items as needed.

Set paper type from the printer.

#### ▶▶▶ Note

- Use the Print dialog to set general print settings such as the layout and the print sequence. For information about print settings, refer to macOS help.
- You can set **Print quality settings (Color mode, Print resolution, and Print target)**, **Paper settings (No Top/Btm Space (Save Paper) and Unidirectional printing)**, and **Magnification level for borderless** on the operation panel of the printer. For details, see "[Print settings](#)."

#### 6. Click **Print**

The printer prints according to the specified settings.

#### ▶▶▶ Note

- It can take the Wi-Fi a few minutes to get connected after the printer turns on. Print after checking that the printer is connected to the network.
- You cannot use AirPrint if Bonjour settings of printer are disabled. Check **LAN** settings of printer and enable Bonjour settings.
- Refer to "[Cannot Print Using AirPrint](#)" for printing problems when using AirPrint.

- The display of the settings screen may differ depending on the application software you are using.

## Deleting Print Job

Use **Stop** button from printer to cancel the print job.

## Restrictions on the AirPrint

- If **A2+**, **A3+**, or **13 x 22** is selected for **Paper Size** in the print dialog, part of the image may not fit on the paper.
- If printing cut paper, the bottom edge of the image may be cut out.
- To perform borderless printing, configure settings in paper sizes. Depending on the type of paper, print results might have slight margins on the left and right edges.
- If printing cut paper, feed the paper vertically. If the paper is fed horizontally, it will still print vertical images.
- When printing images with large data sizes, the color may turn out uneven. In this case, select **Printer settings** -> **Hard disk settings** -> **Save first and print** -> **ON** on the operational panel of the printer.
- Some paper sizes that are compatible with the Canon IJ printer driver are not compatible with AirPrint. If using these sizes, set a custom size.
- Canon imagePROGRAF Free Layout and Canon imagePROGRAF Preview cannot be used.

## Caution when Setting the Print Quality

If you are using the Canon IJ printer driver or AirPrint, the print quality settings may differ depending on the type of paper you are printing. Excluding some types of paper, **Standard** for Canon IJ printer driver corresponds to **Draft** in AirPrint, and **High** in Canon IJ printer driver corresponds to **Standard** in AirPrint.

## Printing from Printer

---

- **Printing Data Saved on USB Flash Drive**



## Printing Data Saved on USB Flash Drive

You can print photo data (JPEG file) or document data (PDF file) saved on the USB flash drive easily.

### ▶▶▶ Note

- Restrictions on printable PDF/JPEG files

- PDF file:

Files which conforms to V 1.7

-Does not support overprint or some of transparent processing.

-Font embedding is recommended. If a font is not embedded, it is replaced with one of the built-in fonts below.

Times-Roman, Helvetica, Courier, Symbol, Times-Bold, Helvetica-Bold, Courier-Bold, ZapfDingbats, Times-Italic, Helvetica-Oblique, Courier-Oblique, Times-BoldItalic, Helvetica-BoldOblique, Courier-BoldOblique

- JPEG file:

Files which conforms to JFIF 1.02

Supports the files with the following conditions.

-Processing method: Basic DCT

-Color mode: RGB/GrayScale

-Number of colors: 24bit/8bit

-Number of pixels: 38400 or less vertically and horizontally

Does not support some samplings

### 1. Load paper.

- ➔ [Loading the Upper Roll on the Printer](#)
- ➔ [Loading the Lower Roll on the Roll Unit \(Option\)](#)
- ➔ [Loading Sheets in the Printer](#)

### 2. Insert USB flash drive into USB flash drive port.

### 3. Tap Print from USB flash drive on HOME screen.

- ➔ [Home Screen Menu Composition](#)

### ▶▶▶ Note

- When the message informing you that the operation restriction is enabled, ask the administrator of the printer you are using.
- If no printable data is saved on the USB flash drive, **There are no files that can be printed.** is displayed on the touch screen.

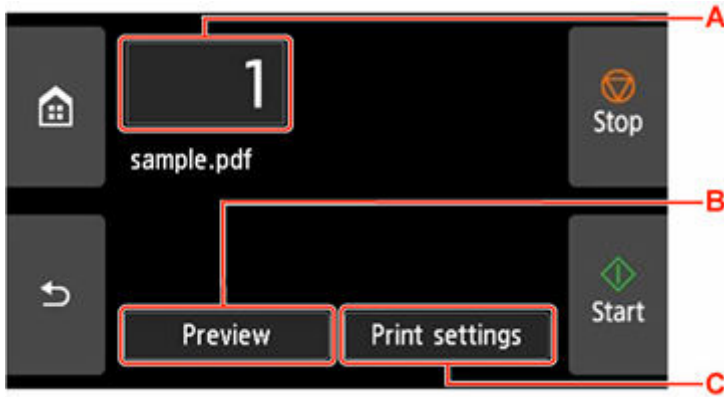
### 4. In the list, tap folder or data to print.

Tapping a folder displays the data list. Tap the data to print.

### ▶▶▶ Note

- If no printable data is saved on the folder you tapped, **There are no files that can be printed.** is displayed on the touch screen.

The following screen is displayed.



#### A. Number of copies

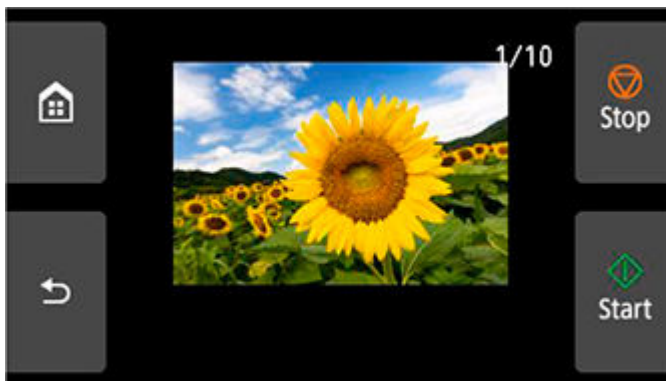
Tap to display the screen below and specify the number of copies.



#### B. Preview

Tap to preview an image of the printout on the preview screen.

Specify the pages to preview and print only specific pages.



#### C. Print settings

Tap to display the **Print settings** screen. You can check and change the print settings.



**5. Tap Start.**

The printer starts printing.

**»» Note**

- Tapping **Yes** on the displayed screen returns to step 4. Tapping **No** returns to HOME screen.

## Printing from Smartphone/Tablet

---

For more on printing from a device, refer to the device's or application's instruction manual.

- ▶ **Print Easily from a Smartphone or Tablet with Canon PRINT Inkjet/SELPHY**
- ▶ **Printing from iOS Device (AirPrint)**

## Printing from iOS Device (AirPrint)

Use AirPrint to print photographs, E-mails, web pages, and other documents without having to download special applications.

### »» Important

- There are [restrictions](#) for printing with AirPrint. Please be aware in advance.

## Checking Your Environment

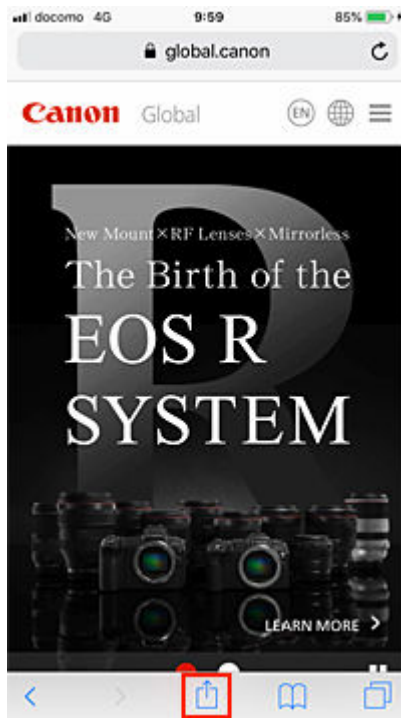
First, check your environment.

- AirPrint Operation Environment  
iPhone, iPad, and iPod touch running the latest version of iOS / iPadOS
- Requirement  
The iOS device and the printer must be connected by one of the following methods:
  - Connected to the same network over a **LAN**
  - Connected directly without wireless router (Direct Connection)

## Printing with AirPrint from iOS Device

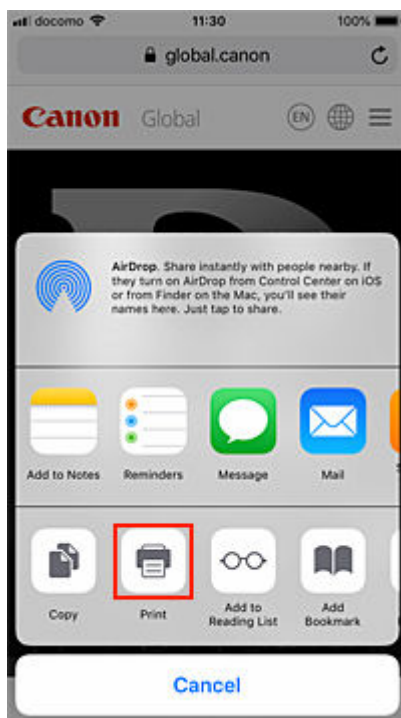
1. [Check that printer is turned on](#)
2. Load paper in printer  
Set [roll paper](#) or [cut paper](#).
3. Tap operation icon using your iOS device's application

The following screen appears when printing from iOS 12's Safari. The screen differs depending on the devices or applications.



Menu options appear.

#### 4. Tap Print



#### 5. Select your model name from **Printer** on **Printer Options**

##### ▶▶▶ Important

- Because some applications do not support AirPrint, **Printer Options** may not be displayed. If an application does not let you use printer options, you cannot print from that application.

## 6. Check Print Settings

Set the number of copies to be printed and print options, as needed.

## 7. Tap **Print**

The printer prints according to the specified settings.

### »»» **Note**

- It can take the Wi-Fi a few minutes to get connected after the printer turns on. Print after checking that the printer is connected to the network.
- You cannot use AirPrint if Bonjour settings of printer are disabled. Check **LAN** settings of printer and enable Bonjour settings.
- Refer to "[Cannot Print Using AirPrint](#)" for printing problems when using AirPrint.

## **Paper Size**

With AirPrint, the paper size is selected automatically according to the application being used on the iOS device and the region in which AirPrint is used.

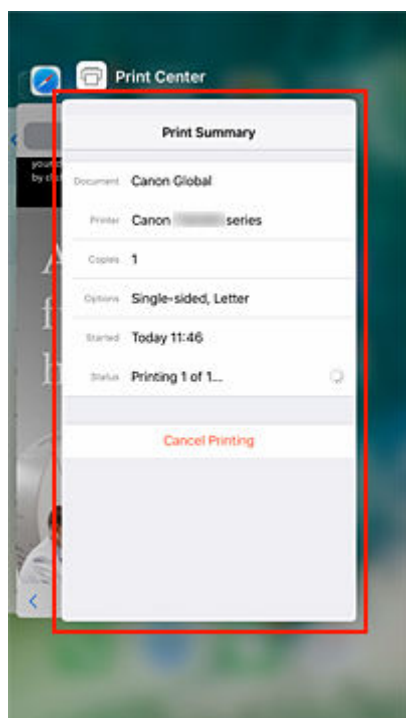
### »»» **Important**

- Depending on the device or OS, the initial settings of paper size may differ. Test printing is recommended.
- Depending on the application you are using, the available paper size may differ.

## **Checking Print Status**

You can check the print status of AirPrint from **Print Center**.

Tap **Print Center** that is displayed in multitasking mode on your iOS device.



## Deleting Print Job

To delete a print job with AirPrint, use one of the following two methods:

- From printer: Use **Stop** button to cancel the print job.
- From iOS device: Tap **Print Center** that is displayed in multitasking mode. In the screen that appears, tap on the print job to be deleted, and then tap **Cancel Printing**.

## Restrictions on the AirPrint

- If **A2+**, **A3+**, or **13 x 22** is selected for **Paper Size** in the print dialog, part of the image may not fit on the paper.
- If printing cut paper, the bottom edge of the image may be cut out.
- If printing cut paper, feed the paper vertically. If the paper is fed horizontally, it will still print vertical images.
- To perform borderless printing, configure settings in paper sizes. Depending on the type of paper, print results might have slight margins on the left and right edges.
- When printing images with large data sizes, the color may turn out uneven. In this case, select **Printer settings** -> **Hard disk settings** -> **Save first and print** -> **ON** on the operational panel of the printer.

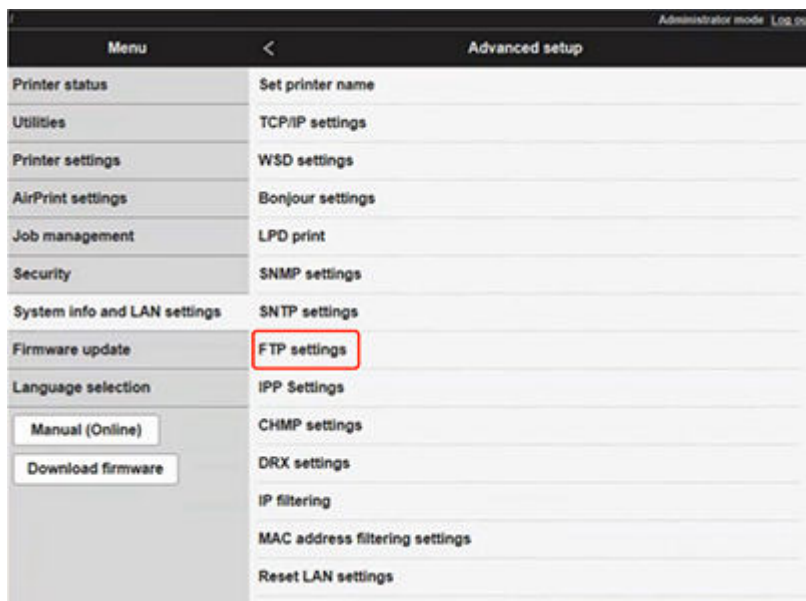


## Enlarging Copy with imageRUNNER ADVANCE

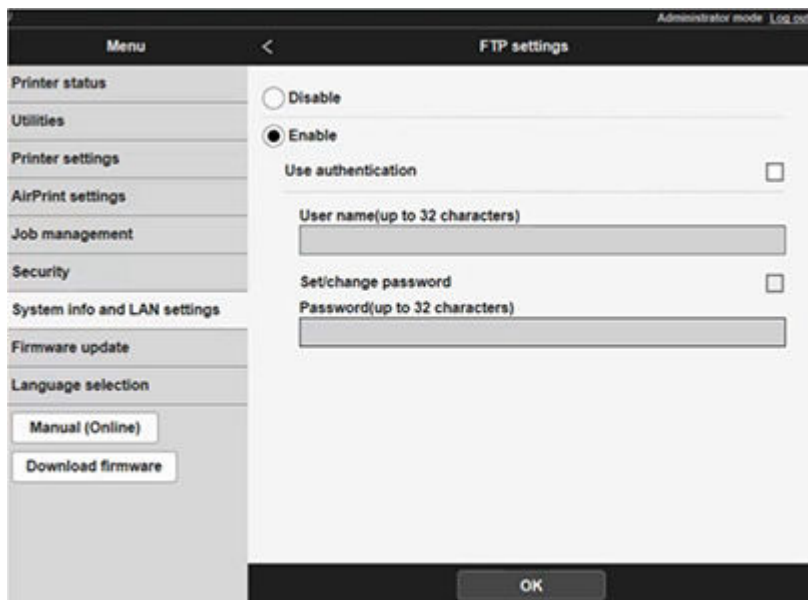
Copy scanned with imageRUNNER ADVANCE can be sent to the printer via FTP.

### Enable FTP from Remote UI.

1. Start up Remote UI.
  - ➔ [Start up Remote UI](#)
2. Select **System info and LAN settings**.
3. Select **LAN settings**.
4. Select **Advanced setup**.
5. Confirm displayed message and tap **Yes**.
6. Select **FTP settings**.



7. Select **Enable**.



8. Select **Use authentication** check box and **Set/change password** check box, and then enter a user name and password.

The user name and password you enter in this step are used for FTP authentication.

Enter the same value for FTP settings of imageRUNNER ADVANCE.

9. Select **OK**.

**Please wait momentarily** appears and returns to the startup screen.

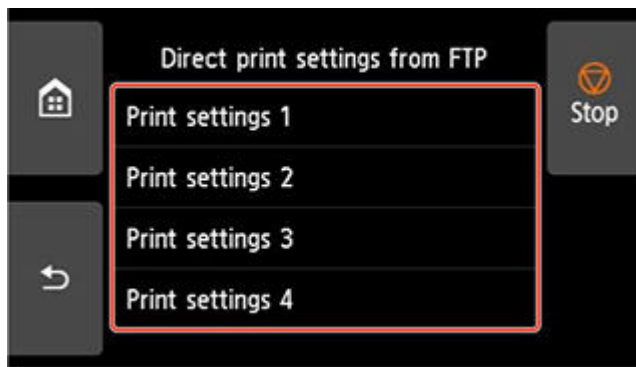
10. Close web browser.

## Perform enlarge settings on the operation panel.

1. Tap  **Printer settings** on HOME screen.

➔ [Home Screen Menu Composition](#)

2. Tap **Print settings**.
3. Tap **Direct print settings from FTP**.
4. Select the number to set and tap.

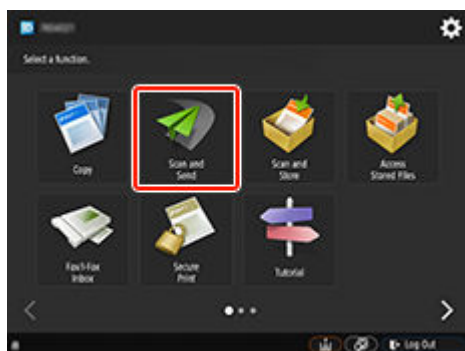


See the following two types of enlargement setting methods.

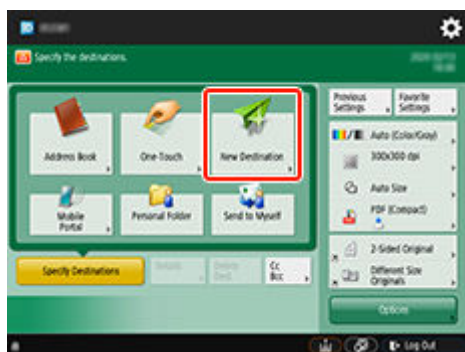
- ➔ [Fitting to Paper Width](#)
- ➔ [Specifying Magnification Level](#)

## Scan and enlarge copy

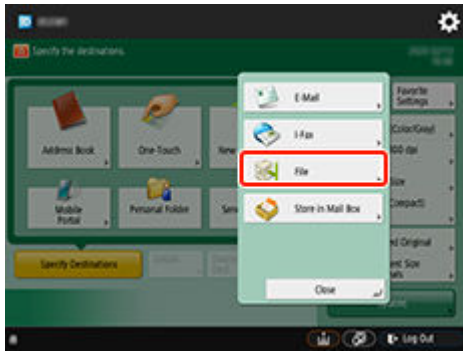
1. Place the copy on the platen glass or feeder of imageRUNNER ADVANCE.
2. Select **Scan and Send**.



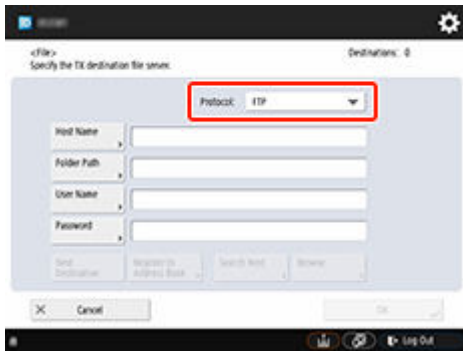
3. Tap **New Destination**.



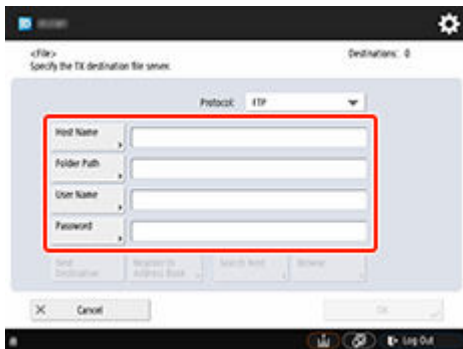
4. Tap **File**.



5. Tap **FTP** from the **Protocol** drop-down list.



6. Enter setting items.



Enter the printer's IP address as the **Host Name**.

**▶▶▶ Note**

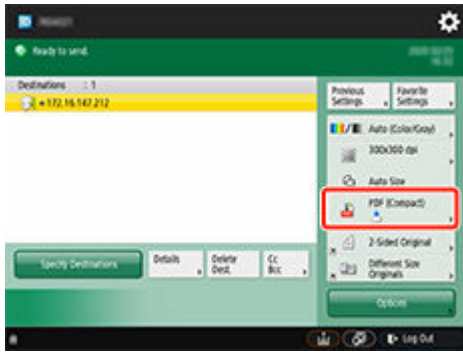
- We recommend that you set a fixed IP address for your printer.

Enter **"/folderN"** in **Folder Path**. ("N" represents the print setting number specified in the **Direct print settings from FTP** screen on the printer.) For example, to enter the pathname for **Print settings 1**, enter **"/folder1"**. For **Print settings 2**, enter **"/folder2"**.

Use the same **User Name** and **Password** that you set for FTP authentication in the Remote UI.

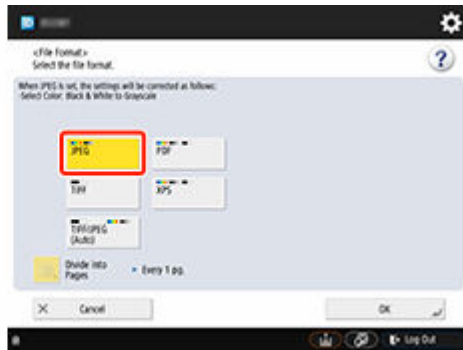
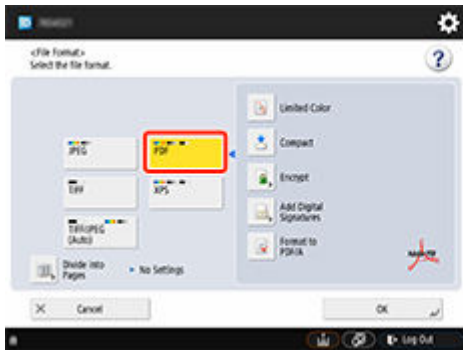
7. Tap **OK**.

8. Tap the setting button for file format.



**9. Select File Format.**

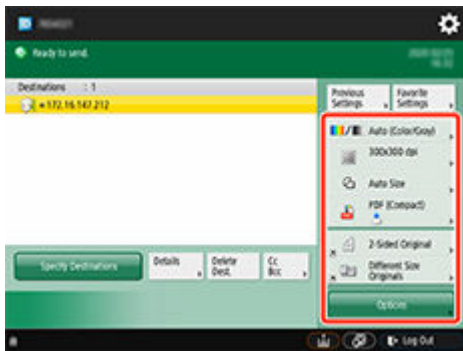
Select **PDF** or **JPEG**.



**Note**

- If you select **PDF**, remove the check from the **Compact** and **Encrypt** check boxes.


**10. Specify the settings as necessary.**



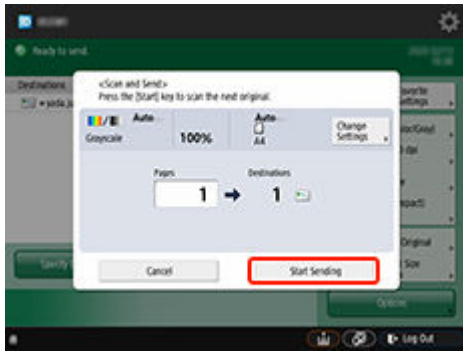
**Important**

- Select **300x300 dpi** or **600x600 dpi** as the resolution.

**11. Press**  (Start).

If you are placing your originals on the platen glass, press  (Start) to scan each original.

**12. When scanning is complete, tap **Start Sending**.**



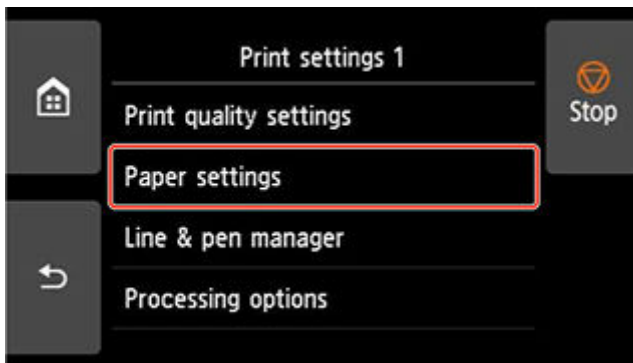
Scanned originals are sent to the printer and printing starts.

### ➤➤ Note

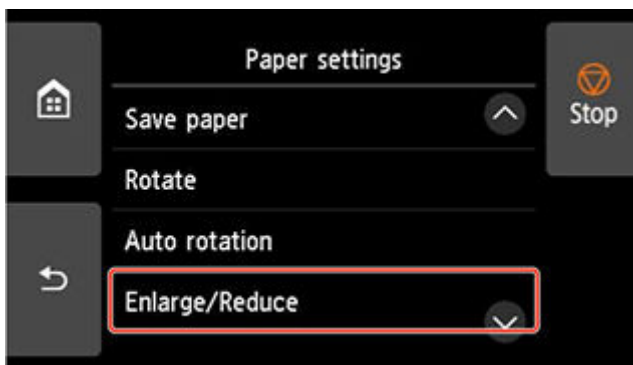
- It is recommended to register the setting contents in **Favorite Settings**.

## Fitting to Paper Width

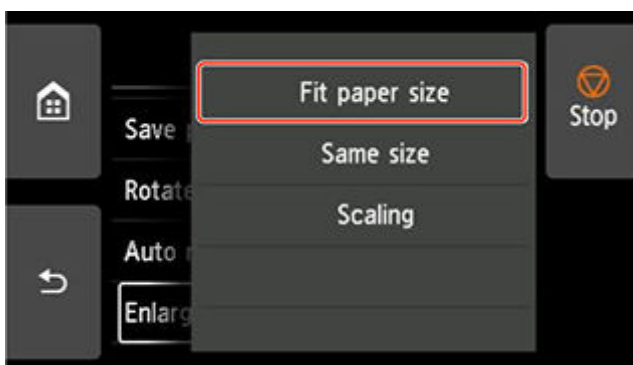
1. Tap **Paper settings**.



2. Tap **Enlarge/Reduce**.



3. Tap **Fit paper size**.



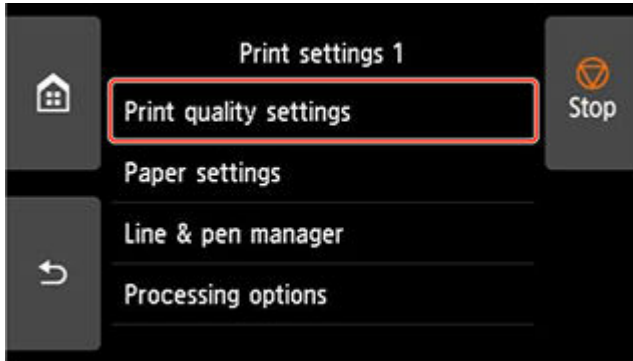
### ▶▶▶ Note

- Change the image quality in **Print quality settings** if necessary.
- You can specify the orientation of the image from **Rotate**.

# Specifying Magnification Level

## Setting Input resolution

1. Tap **Print quality settings**.



2. Tap **Input resolution**.



Select the input resolution that matches your output requirements.

### **600 dpi**

Select when printing at 600 dpi.

### **300 dpi**

Select when printing at 300 dpi.

### **Specify print job**

Select to match the input resolution of the printer with the scanning resolution when scanning the original in JPEG format.

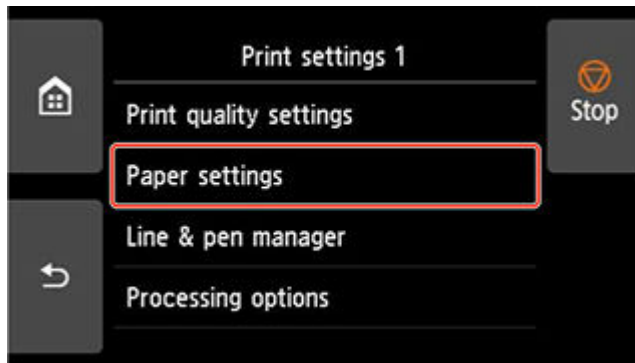
### **»» Important**

- When scanning the original in JPEG format with imageRUNNER ADVANCE, match the scanning resolution with the input resolution of the printer. If the resolution is different, it will not be printed at the specified magnification level.

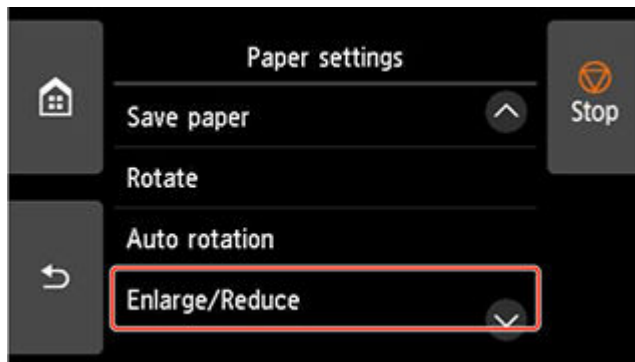


## Setting scale percentage

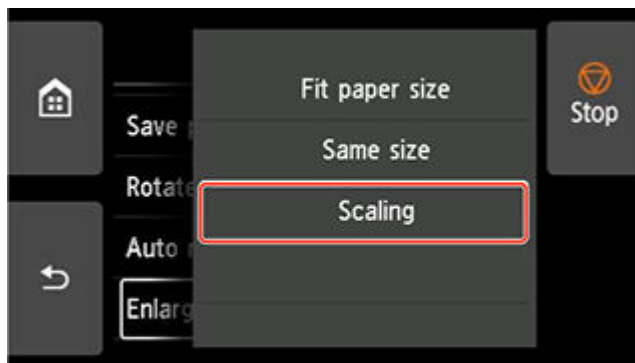
1. Tap **Paper settings**.



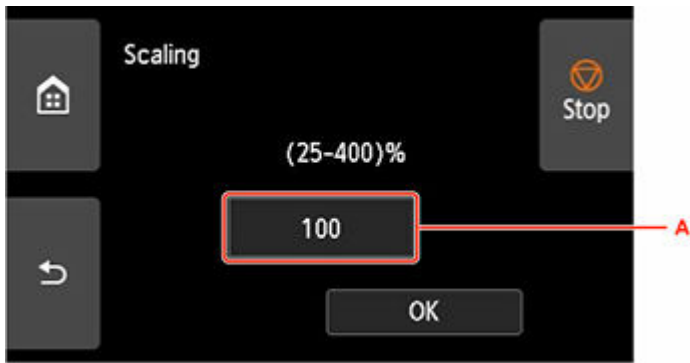
2. Tap **Enlarge/Reduce**.



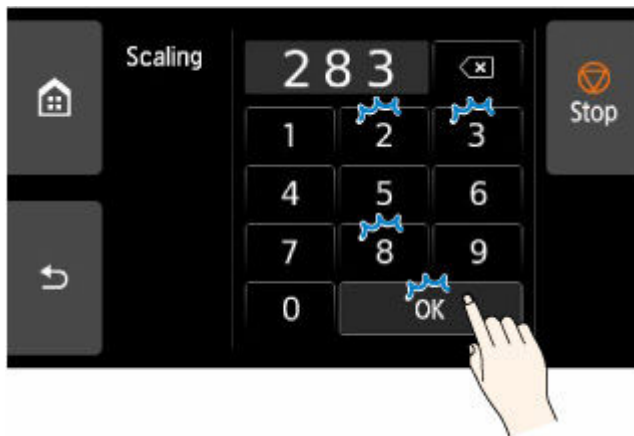
3. Tap **Scaling**.



4. Tap A on the displayed screen.

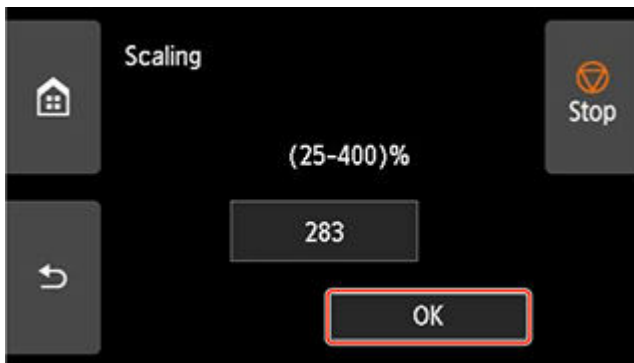


5. Enter the scale percentage, and then tap **OK**.



For commonly used magnification conversions, refer to [Reference for Magnification](#).

6. Select **OK** on the displayed screen.

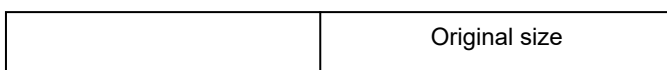


**▶▶▶ Note**

- Change the image quality in **Print quality settings** if necessary.
- You can specify the orientation of the image from **Rotate**.

**Reference for Magnification**

- ISO A format



		A4	A3
Output size	A4	100%	71%
	A3	141%	100%
	A2	200%	141%
	A1	283%	200%
	A0	400%	283%

- ANSI format

		Original size		
		Letter 8.5" x 11"	Legal 8.5" x 14"	Ledger 11" x 17"
Output size	C	200%	157%	129%
	D	258%	242%	200%
	E	400%	314%	258%

- ARCH format

		Original size	
		A	B
Output size	A	100%	66%
	B	133%	100%
	C	200%	133%
	D	266%	200%
	E	400%	266%
	E1	333%	233%

## Printing with Fluorescent Ink

Create items such as posters in bright and vivid color tones using fluorescent ink.



## Using Vivid Color Tones

There are two ways to make your item vivid.

### Printing the Entire Item Vividly (Vivid mode)

Make all warm colors bright and vivid.

This is recommended when a photo or illustration contains multiple warm colors such as pink and orange.



### Printing Colors of Specific Areas Vividly (Spot mode)

Make specific colors bright and vivid using pink or orange fluorescent ink.

This is recommended when you want to enhance text or shapes.



## Creating Vivid Items

In Windows, you can use PosterArtist, an application for creating professional-looking posters even without professional knowledge or technique; simply select a design from a variety of templates and then insert and edit text, photos, clipart, and other materials.

Use PosterArtist to quickly create a bright and vivid item by selecting a template and specifying colors for text and shapes. There is also a function for previewing only the area that will be vivid. For details, see [Creating Vivid Posters Using Fluorescent Colors](#).

### ►► Note

- Even for items you created in your application, you can use PosterArtist to make them vivid by specifying pink or orange fluorescent ink for specific portions. For details, see [Link with PosterArtist to print with bright colors](#).
- You can also open the printer driver from your application and specify the setting for making color tones vivid in the print settings screen. For details, see [Printing By Setting Print Purpose or Specify Fluorescent Colors and Print](#).
- If using macOS, create an item in your application, and then see [Printing with Easy Setup](#) or [Specify Fluorescent Colors and Print](#) and print.

## Printer Driver

---

- Windows Printer Driver
- macOS Printer Driver

## macOS Printer Driver

---

- Overview of the Printer Driver
- Description of Print Dialog
- Updating the Printer Driver

## **Overview of the Printer Driver**

---

- **Canon IJ Printer Driver**
- **Checking Layout in Preview before Printing**
- **Registering a Changed Printing Profile**
- **How to Open the Printer Driver Setup Dialog**
- **Page Setup Dialog**
- **Print Dialog**
- **Updating Media Information in Printer Driver**
- **Correcting Media Information in Printer Driver (When Printer Used in Shared Environment)**
- **Confirm the Printer Paper Information**
- **Setting Accounting Information**
- **Set a PIN Code for Print Jobs**
- **Deleting the Undesired Print Job**
- **Display the Printing Status Screen**
- **Canon IJ Printer Utility2**
- **Opening the Canon IJ Printer Utility2**
- **Checking the Ink Status from Your Computer**
- **Instructions for Use (Printer Driver)**



## Canon IJ Printer Driver

---


The Canon IJ printer driver (called printer driver below) is a software that is installed on your computer for printing data with this printer.

The printer driver converts the print data created by your application software into data that your printer can understand, and sends the converted data to the printer.

Because different models support different print data formats, you need a printer driver for the specific model you are using.

### Using Help of the Printer Driver

You can display Help function from the [Print Dialog](#).

Select a setup item from the pop-up menu in the Print dialog. Then click  at the bottom left of the screen to display an explanation of the item.

Help for the printer driver is displayed when the following pop-up menu item is selected:

- **Quality & Media**
- **Color Options**
- **Fluorescent Spot Color**
- **Advanced Paper Settings**
- **Page Processing**
- **Additional Settings**

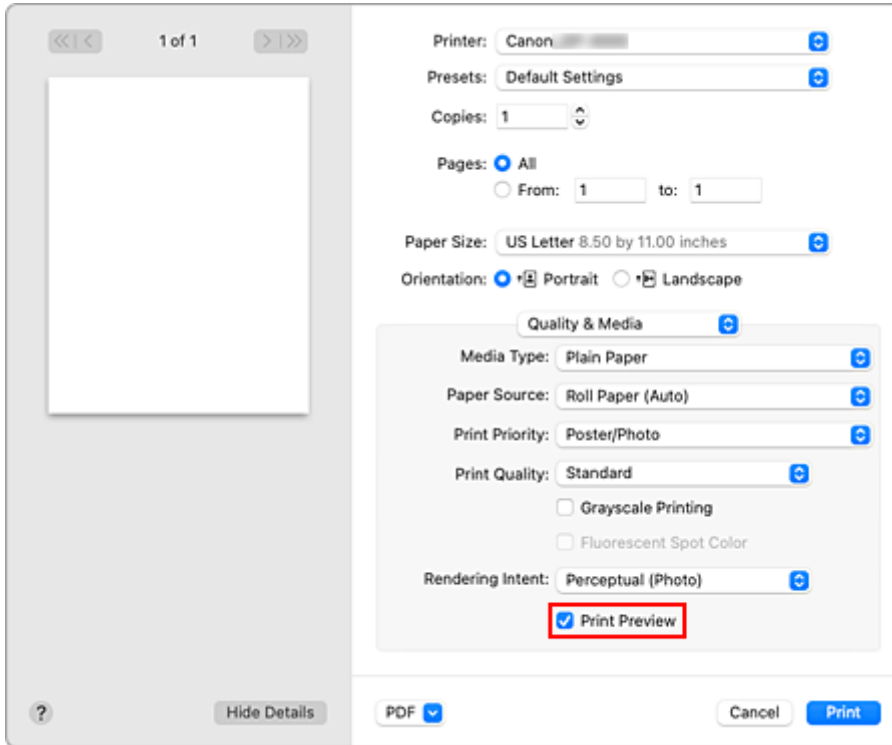
## Checking Layout in Preview before Printing

You can display and check the print result before printing.

The procedure for displaying the print result before printing is as follows:

1. Select **Quality & Media** from the pop-up menu of the [Print Dialog](#)
2. Select Print Preview

Select the **Print Preview** check box.



3. Complete the setup

Click **Print**.

When executing printing, start up Canon imagePROGRAF Preview to display the print results.

### ▶▶▶ Note

- The printing results can be displayed even when selecting Canon imagePROGRAF Preview from **PDF**.

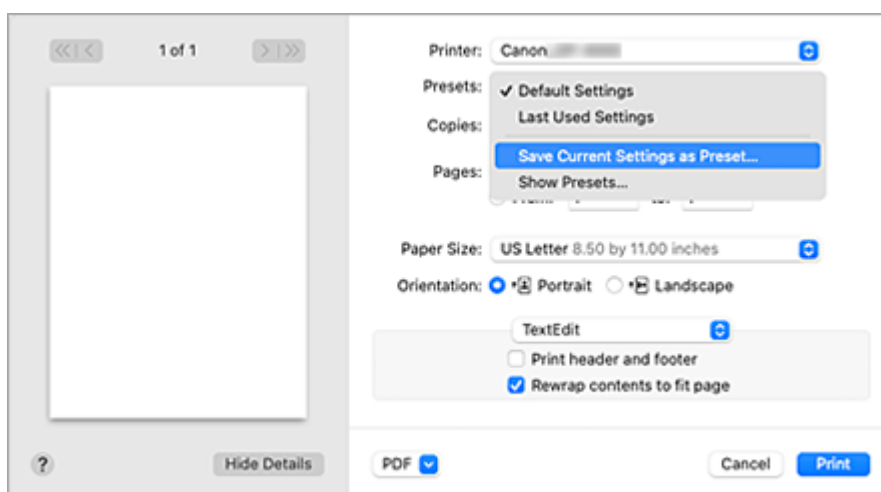
## Registering a Changed Printing Profile

You can name and register the printing profile you made in the [Print Dialog](#). The registered printing profile can be called up from **Presets** to be used. You can also delete the unnecessary printing profile.

The procedure for registering a printing profile is as follows:

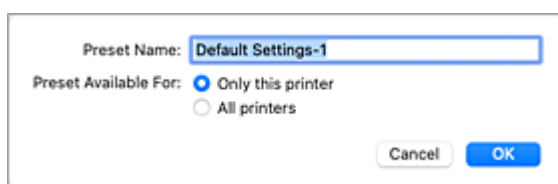
### Registering a Printing Profile

1. In the Print dialog, set the necessary items
2. Select **Save Current Settings as Preset...** from the **Presets**



3. Save the settings

In the displayed dialog, enter a name in **Preset Name**, and if necessary, set **Preset Available For**. Then click **OK**.



### Important

- There are also print settings that cannot be saved to preset.

### Using Registered Printing Profile

1. On **Presets** in the Print dialog, select the name of printing profile you want to use  
Printing profile in the Print dialog will be updated to the called profile.

## Deleting Unnecessary Printing Profile

1. Select the printing profile to be deleted

In the print dialog, select **Show Presets...** in the **Presets** section. Then in the dialog that appears, select the name of the printing profile to be deleted.

2. Delete the printing profile

Click -, and click **OK**. The selected printing profiles will be deleted from **Presets**.

## How to Open the Printer Driver Setup Dialog

---

You can display the printer driver setup dialog from the application software you are using.

### Opening the Page Setup Dialog

Use this procedure to set the page (paper) settings before printing.

1. Select **Page Setup...** from the **File** menu of the application software

The [Page Setup Dialog](#) opens.

### Opening the Print Dialog

Use this procedure to set the print settings before printing.

1. Select **Print...** from the **File** menu of the application software

The [Print Dialog](#) opens.

### »» Important

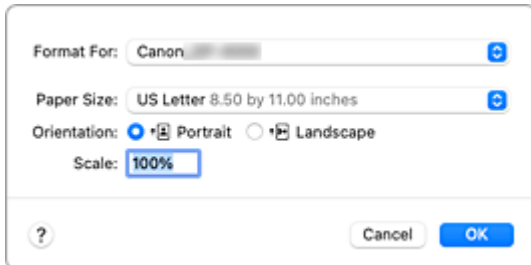
- Depending on the macOS version or the application you are using, the print dialog screen display may differ.  
Also, some features may be restricted.

## Page Setup Dialog

---

In the Page Setup dialog, you configure the basic print settings such as the size of paper loaded in the printer or the scaling ratio.

To open the Page Setup dialog, you typically select **Page Setup...** from the **File** menu of your application software.



### Format For

Select the model to be used for printing.

### Paper Size

Select the size of the paper to be used for printing.

To set a non-standard size, select **Manage Custom Sizes....**

### Orientation

Select the print orientation.

### Scale

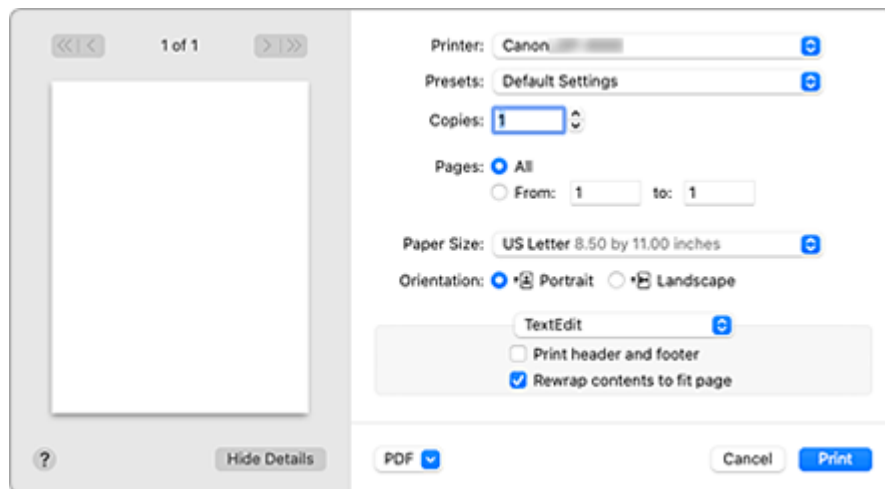
Set the scaling percentage.

You can expand or reduce the size of the document when printing.

## Print Dialog

In the Print dialog, you can set paper type, paper source and print quality to start printing.

To open the Print dialog, you typically select **Print...** from the **File** menu of your application software.



### Printer

Select the model to be used for printing.

When you click **Add Printer...**, a dialog for specifying the printer opens.

### Presets

You can save or delete the settings of the Print dialog.

#### ►►► Note

- You can select **Show Presets...** to check the print settings that are set in the Print dialog.

### Copies

You can set the number of copies to be printed.

#### ►►► Note

- You can set collated printing by choosing **Paper Handling** from the pop-up menu.

### Pages

You can set the range of pages to be printed.

### Paper Size

Select the size of the paper to be used for printing.

To set a non-standard size, select **Manage Custom Sizes...**

### Orientation

Select the print orientation.

### Pop-up Menu

You can switch between pages in the Print dialog by the pop-up menu. The first menu to appear differs depending on the application software that opened the Print dialog.

You can choose one of the following items from the pop-up menu.

## **Layout**

You can set page layout printing.

Use **Reverse page orientation** to change the paper orientation, and use **Flip horizontally** to print a mirror image of the document.

## **Color Matching**

You can select the color correction method.

## **Paper Handling**

You can set the pages to be printed on paper and the print order.

## **Cover Page**

You can output cover pages both before and after a document.

## **Quality & Media**

You can set basic print settings that match the printer.

## **Fluorescent Spot Color**

Set the colors you want to use as fluorescent spot colors.

## **Color Options**

You can adjust the print colors as you desire.

## **Advanced Paper Settings**

Specifies detailed print settings that match the media type loaded in the printer.

## **Page Processing**

You can configure the detailed settings when printing to roll paper, and adjust the amount of the source document that sticks out from the page when printing all borderless.

## **Additional Settings**

The output method can be set.

## **Supply Levels**

A rough indication of the remaining ink level is displayed.

## **PDF**

You can save a document in PDF (Portable Document Format) format.

By starting up Canon imagePROGRAF Free Layout, it is possible to allocate multiple source documents, and display the print results in imagePROGRAF Preview.



## Updating Media Information in Printer Driver

This function gets the latest media information from the printer and updates the media information in the printer driver.

When the media information is updated, the media displayed for **Media Type** on the **Quality & Media** screen is updated to the latest information.

The procedure for updating media information is described below.



### Update Media Information

1. From the [Canon IJ Printer Utility2](#) pop-up menu, select **Media Information**

2. Click **Update Media Information**

A dialog appears.

3. Check that the media information has updated

By following the dialog instructions, check that the printer is on, and then click **OK**.

After checking whether or not the printer media information needs to be updated, a message will be displayed.

If the printer media information is up to date, click **OK** and finish updating media information.

If the information needs to be updated, follow the below steps to do so:

4. Update media information

Check the message and click **Update**.

The printer driver media information will update.

When the authentication screen appears, enter the administrator's name and password, and then click **Install Helper**.

#### »» Important

- It may take some time to update the media information.
- Do not change media information on the printer while you are updating media information on the driver.

5. Finish updating media information

When a confirmation message appears, click **OK**.

The media information will be updated.

#### »» Important

- Restart the application or software you are printing from after updating media information.

## »» Important

- Ensure that a user with administrator privileges carries out the media information update. Users other than administrators can check if a media information update is required, but cannot carry out the update itself.
- When you have added, deleted, or edited media using administrative tools (the Media Configuration Tool) but have not updated the media information, issues may arise such as the inability to print.

## »» Note

- If the printer is being shared, **Correct Media Information** will display on the client machine.

## Correcting Media Information in Printer Driver (When Printer Used in Shared Environment)

The printer driver media information will be corrected.

Carrying out a media information correction will correct the configuration of the media information in the printer driver.

The procedure for correcting media information is described below.



### Correct Media Information

1. From the [Canon IJ Printer Utility2](#) pop-up menu, select **Media Information**

2. Click **Correct Media Information**

After checking whether or not the printer driver's media information is correct, a message will be displayed.

If the printer media information is set correctly, click **OK** and finish correcting media information.

If the information needs to be corrected, follow the below steps to do so:

3. Correct media information

When a confirmation message appears, click **OK**.

The printer driver media information will be corrected.

When the authentication screen appears, enter the administrator's name and password, and then click **Install Helper**.

4. Complete media information correction

When a confirmation message appears, click **OK**.

The paper information will be corrected.

### Important

- Restart the application or software you are printing from after correcting media information.

### Note

- **Media Information** will only be displayed on the client machine in use when the printer is being shared.

## Confirm the Printer Paper Information

---

You can check the size and type of paper that was set to the printer.

1. From the [Remote UI](#), select **Printer status**
2. Check printer's paper information

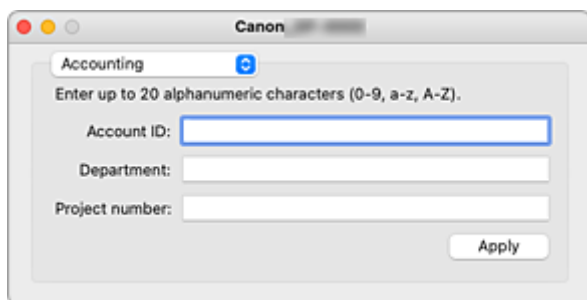
The size and type of the media set on the printer main unit is displayed by feed position.

## Setting Accounting Information

By Setting Accounting Information, you add IDs to print jobs, and use the printer and cost management tool to tabulate print history information for any ID.

The procedure for Setting Accounting Information is described below.

1. From the [Canon IJ Printer Utility2](#) pop-up menu, select **Accounting**



2. Set Account ID

Set an Account ID, as necessary.

### Account ID/Department/Project number

Enter the Account ID, Department, or Project number to be set. Enter the ID by using up to 20 alphanumeric characters (0 to 9, a to z, A to Z).

3. Apply settings

Check that the printer is on, and then click **Apply**.

When the confirmation message appears, click **OK**.

The setting is now valid.

### ▶▶▶ Note

- If the printer is being shared, **Accounting** information cannot be set on client machines.

## Set a PIN Code for Print Jobs

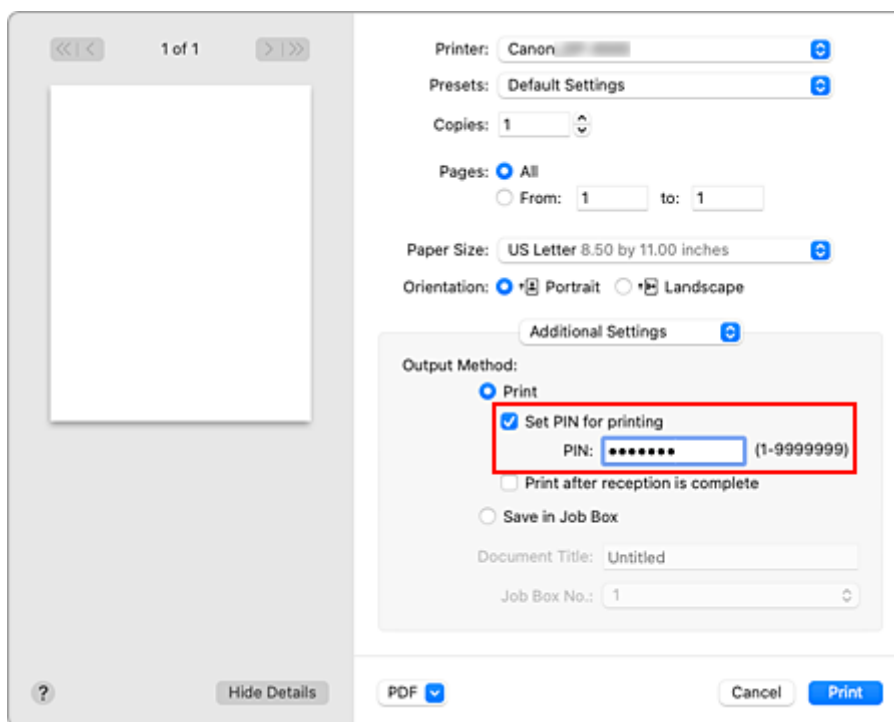
If you set a PIN code to your print jobs, the print jobs remain in standby status until the PIN code is entered on the printer operation panel.

As the material is printed immediately after entering the PIN code, issues such as retrieving the wrong documents and allowing others to peek at your documents can be prevented.

The procedure for setting a PIN code to your print jobs is explained here.

1. Select **Additional Settings** from the pop-up menu of the [Print Dialog](#)
2. Set the PIN code

Place a checkmark next to **Set PIN for printing**, and enter a one to seven-digit number in **PIN**.



The screenshot shows the 'Additional Settings' dialog box in a print application. The 'Output Method' is set to 'Print'. Under 'Print', the option 'Set PIN for printing' is checked and highlighted with a red box. Below it, the 'PIN' field contains seven asterisks, and the label '(1-9999999)' is visible. Other options include 'Print after reception is complete' (unchecked) and 'Save in Job Box' (unchecked). The 'Document Title' is 'Untitled' and 'Job Box No.' is '1'. At the bottom, there are 'Cancel' and 'Print' buttons.

3. Complete the setup

Click **Print**.

When you print, the print job is set to standby status on the printer unit.

If you enter the PIN code you set on the printer operation panel, the print job will be printed.

### ▶▶▶ Note

- See "[Printing Security Print Jobs](#)" for instructions on how to operate using the printer operation panel.
- Print jobs with a PIN code set are not saved on the printer hard disk.

## Related Topics

- ➔ [Specifying Color Correction](#)

- ➡ [Adjusting Color Balance](#)
- ➡ [Adjusting Brightness](#)
- ➡ [Adjusting Contrast](#)

## Deleting the Undesired Print Job


---

If the printer does not start printing, canceled or failed print job data may be remaining. Delete unnecessary print jobs from the print status check screen.

**1. Open **System Preferences**, and select **Printers & Scanners****

**2. Select your model, and then click **Open Print Queue...****

The print status check screen appears.

**3. Select the unnecessary print job and click **

The selected print jobs will be deleted.



## Displaying the Printing Status Screen

Check the print progress according to the following procedure:

### 1. Launch the printing status screen

- If the print data has been sent to the printer

The printing status screen opens automatically. To display the printing status screen, click the printer icon displayed on the Dock.

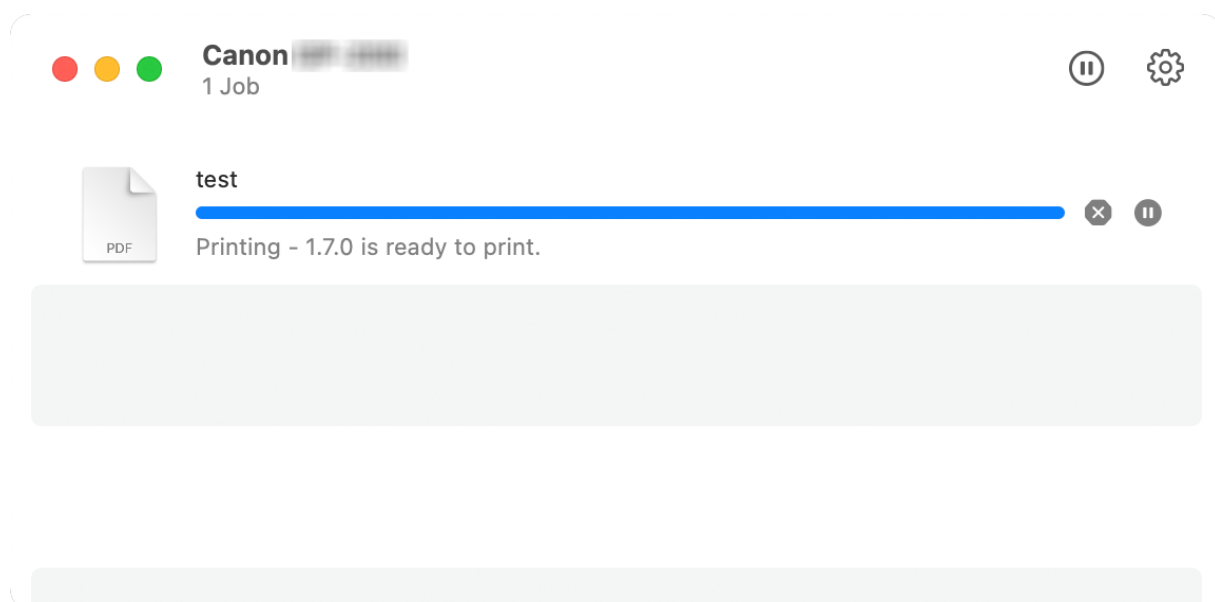
- If the print data has not been sent to the printer






Open **System Preferences**, and select **Printers & Scanners**.

To display the printing status screen, select the name of your printer model from the printer list, and then click **Open Print Queue...**

### 2. Checking the printing status

You can check the name of the file being printed or ready for being printed.



-  Deletes the specified print job.
-  Stops printing the specified document.
-  Resumes printing the specified document.
-  Stops printing all documents.
-  Displayed only when printing of all documents is being stopped, and resumes printing all documents.

### ▶▶▶ Note

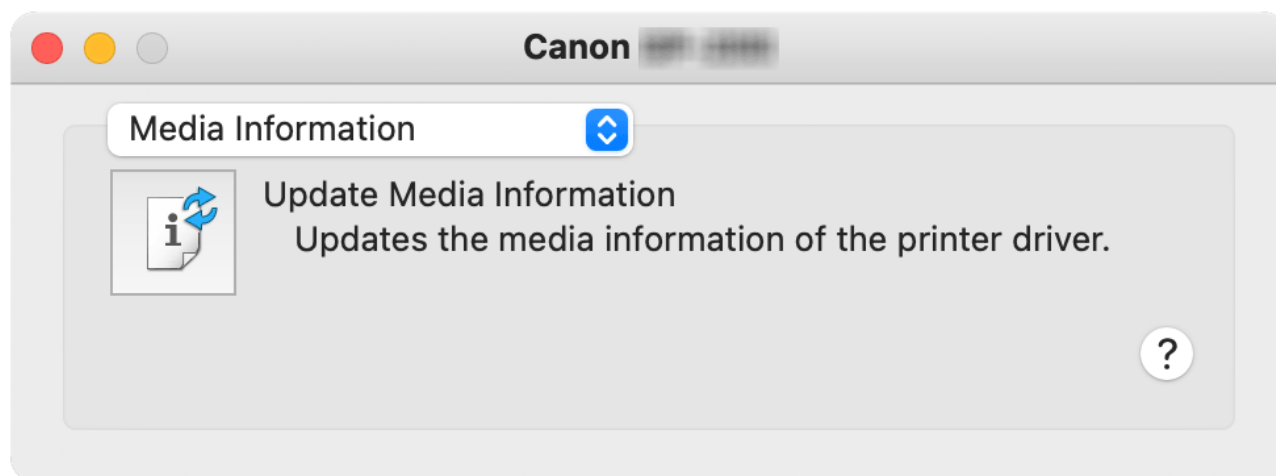
- Depending on your model, the printer icon display may be different.

## **»» Important**

- If an error occurs, an error message will appear on the printing progress confirmation screen.
- The content of the error message may differ depending on the OS version.
- The printer part names in the error message may differ from what is listed in this manual.
- If the content of the error message is difficult to understand, check the error message displayed on the printer operation panel.

## Canon IJ Printer Utility2

The Canon IJ Printer Utility2 allows you to update media information and configure accounting.



You can switch between pages in Canon IJ Printer Utility2 by the pop-up menu. You can choose one of the following items from the pop-up menu.

### [Media Information](#)

Gets the latest media information from the printer and updates the media information in the printer driver.

### [Accounting](#)

Allows you to set IDs for each job and each user, and manage the print history and print jobs.

#### ▶▶▶ Note

- If the printer is being shared, **Accounting** information cannot be set on client machines.

#### ▶▶▶ Note

- To operate the Canon IJ Printer Utility2, you must first turn on the printer.

## Opening the Canon IJ Printer Utility2

---

To open the Canon IJ Printer Utility2, follow the steps below.

1. Open **System Preferences**, and select **Printers & Scanners**

2. Start the Canon IJ Printer Utility2

Select your model from the printer list, and click **Options & Supplies...**

Click **Open Printer Utility** in **Utility** tab.

Canon IJ Printer Utility2 is launched.

## Checking the Ink Status from Your Computer

You can check the detailed information such as the remaining ink level and the ink tank types of your model.

If you select **Printer status** from [Remote UI](#), an illustration showing the status of the ink tanks and maintenance cartridge appears.

### Estimated ink levels

You can check the types and levels of ink.

When ink levels are running low or an error occurs because there is no ink, a notification icon will appear.

### Ink model number

You can look up the correct ink tank for your printer.

### Maintenance cartridge usage

You can check the estimated usage amount of the maintenance cartridge.

When capacity levels are low or the cartridge is at full capacity, a notification icon will appear.

### ▶▶ Note

- To check the ink levels or the estimated usage of the maintenance cartridge, you can also display the pop-up menu of the Print dialog and select **Supply Levels**.

## Instructions for Use (Printer Driver)

---

This printer driver is subject to the following restrictions. Keep the following points in mind when using the printer driver.

### Restrictions on the Printer Driver

- When you set up the Page Setup dialog, be sure to begin by selecting the model you are using from the **Format For** list. If you select another printer, printing may not be performed properly.
- The following functions cannot be used in macOS, though they can be used in Windows computers.
  - Poster Printing
  - Stamp Printing
- Depending on the macOS version or the application you are using, the print dialog screen display may differ.  
Also, some features may be restricted.
- If you connect this printer and AirPort with a USB cable and print, you must install the latest AirPort firmware.

### Notes on Adding a Printer

- If you will be installing the Canon printer driver on a macOS and using the printer through a network connection, select the printer name that contains Bonjour in the **Add (Add Printer)** dialog.
- If several options are displayed under **Use** in the **Add (Add Printer)** dialog, choose Canon XXX (where "XXX" is your model name) in order to maximize your ability to control settings during printing.

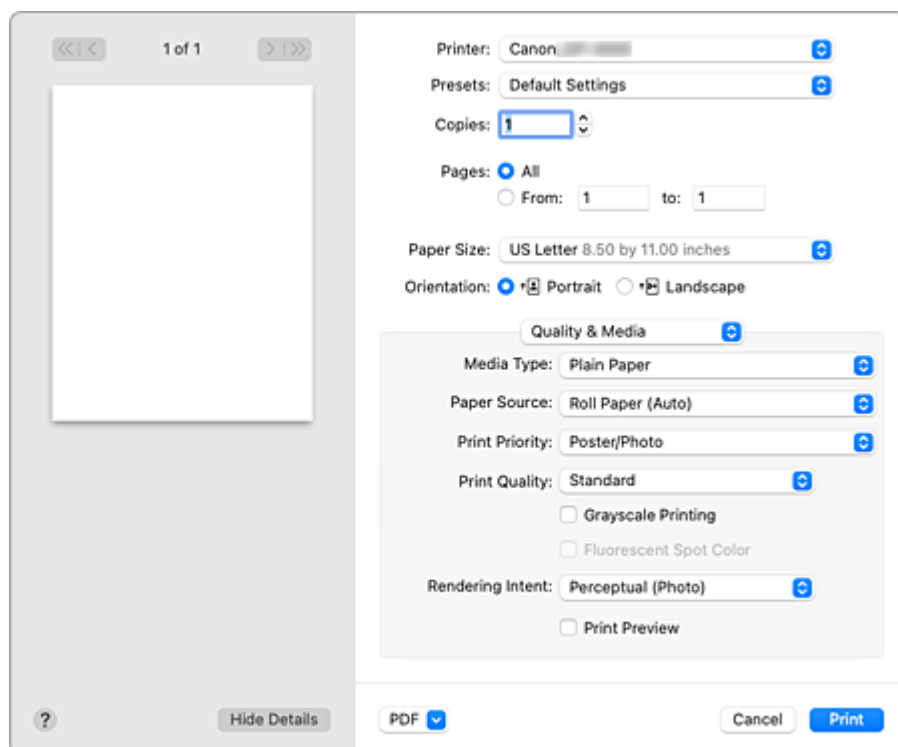
## **Description of Print Dialog**

---

- **Quality & Media**
- **Color Options**
- **Advanced Paper Settings**
- **Page Processing**
- **Additional Settings**
- **Specifications**

## Quality & Media

This dialog allows you to create a basic print setup in accordance with the paper type. Unless special printing is required, normal printing can be performed just by setting the items in this dialog.



### Media Type

Select the type of media to be used.

You must select the type of media actually loaded in the printer. This selection enables the printer to carry out printing properly for the material of the media used.

#### ►►► Note

- After updating media information of the printer, start up the Canon IJ Printer Utility2 and update media information.

### Paper Source

Select the source from which paper is supplied.

#### Roll Paper (Auto)

Depending on the paper settings on the printer driver and the paper information registered to the printer, the printer automatically determines which roll paper to use and then feeds that paper.

#### Roll 1

Paper is fed from Roll 1.

#### Roll 2

Paper is fed from Roll 2.

#### Cut Sheet

Feeds paper using the cut paper.

### Print Priority

Select elements to prioritize for print results.



### **Poster/Photo**

Prioritize the print results of the poster or photo without using fluorescent ink.

### **Poster/Photo (Fluorescent)**

Use fluorescent ink to make posters or photos more vibrant.

### **Print Quality**

Select the one that is closest to the original document type and the purpose.

When one of the radio buttons is selected, the appropriate quality will be set automatically.

#### **Highest**

Quality will be prioritized during printing.

#### **High**

Gives priority to print quality over printing speed.

#### **Standard**

Prints with average speed and quality.

#### **Custom**

Select this radio button to specify a quality.

#### **Quality**

When you select **Custom** in **Print Quality**, you can use the slider bar to adjust the print quality level.

### **Grayscale Printing**

Print in grayscale.

### **Fluorescent Spot Color**

Specify an area and print posters with bright colors.

To use fluorescent spot colors, add a checkmark.

### **Rendering Intent**

Specify the method of matching to use when selecting **Canon Color Matching** in **Color Matching**.

#### **Perceptual (Photo)**

Reproduces colors of general photos naturally and features smooth gradation. In addition, selecting this setting allows you to adjust colors easily using an application software.

#### **Saturation (Poster)**

Reproduces vivid colors on data such as a poster.

#### **No Color Correction**

Performs printing without color matching.

### **Print Preview**

You can start up the Canon imagePROGRAF Preview, and check what the printing results will be before executing the print.

Check this check box to display a preview before printing.

## **Related Topics**

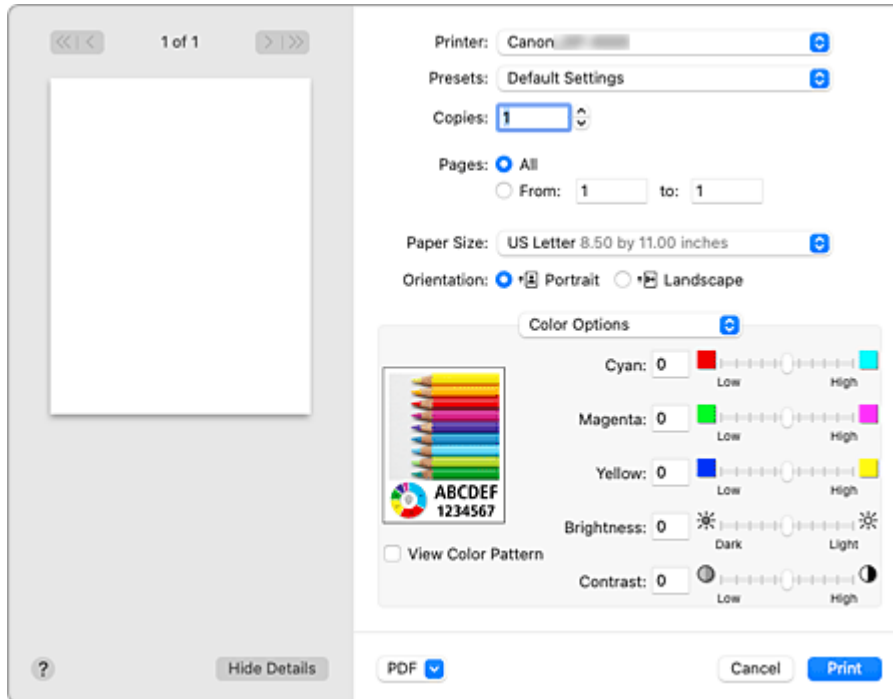
- ➡ [Switching the Paper Source to Match the Purpose](#)
- ➡ [Setting the Print Quality Level \(Custom\)](#)
- ➡ [Printing a Color Document in Monochrome](#)

➡ [Specify Fluorescent Colors and Print](#)

## Color Options

This dialog allows you to adjust the print color as you like. If the color of the printed image is not as expected, adjust the properties in the dialog and retry printing.

The adjustments made here do not affect the colors of the original print data unlike applications dedicated to image processing. Use this dialog just to make fine adjustments.



### Preview

Shows the effect of color adjustment.

As you adjust each item, the effects are reflected in the color and brightness.

### View Color Pattern

Displays a pattern for checking color changes produced by color adjustment.

When you want to display the sample image with a color pattern, check this check box.

### ▶▶▶ Note

- When **Grayscale Printing** check box is checked in the **Quality & Media**, the graphic is displayed in monochrome.

### Color balance (Cyan, Magenta, Yellow)

If necessary, adjust the strength of each color. To strengthen a color, drag the slider to the right. To weaken a color, drag the slider to the left.

You can also directly enter a value linked to the slider. Enter a value in the range from -50 to 50.

Adjusting the color balance will result in variations in the balance among the volumes of the individual color inks and hence in the hues of the document as a whole.

Use the printer driver only when adjusting the color balance slightly. To change the color balance significantly, use the application software.

### Brightness

Adjusts the brightness of your print. You cannot change the levels of pure white and black. However, the brightness of the colors between white and black can be changed. Colors become brighter as you

drag the slider toward the right and darker as you drag the slider toward the left. You can also directly enter brightness values that are linked to the slider bar. Enter a value in the range from -50 to 50.

### **Contrast**

The Contrast function changes the differences between light and dark in images during printing.

To make the differences between the light and dark portions of images greater and more distinct, increase the contrast. On the other hand, to make the differences between the light and dark portions of images smaller and less distinct, reduce the contrast.

You can also directly enter a value linked to the slider. Enter a value in the range from -50 to 50.

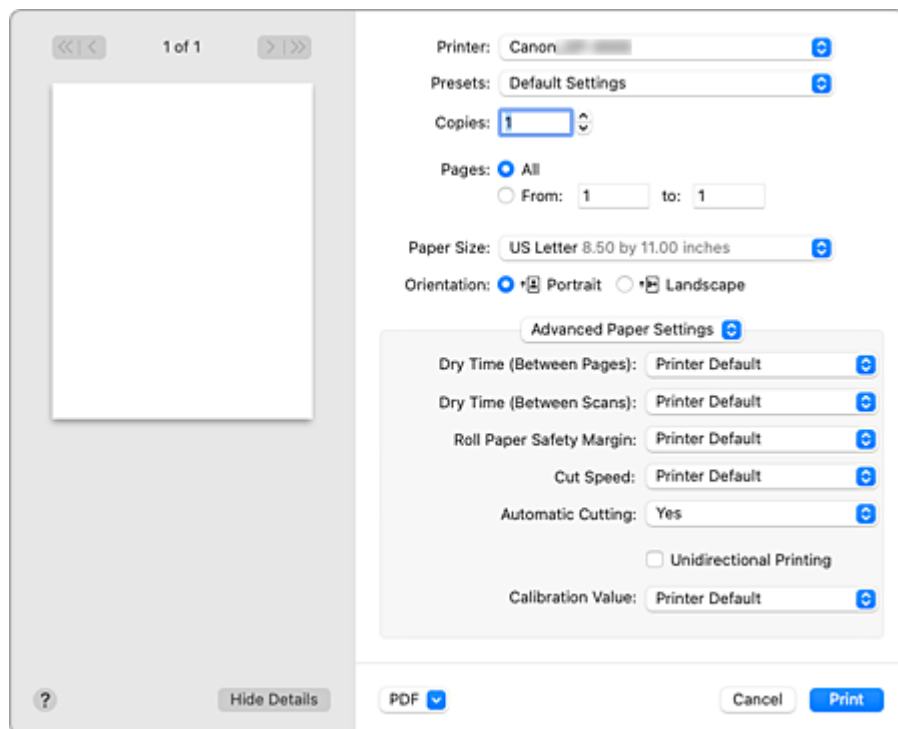
## **Related Topics**

- ➔ [Specifying Color Correction](#)
- ➔ [Adjusting Color Balance](#)
- ➔ [Adjusting Brightness](#)
- ➔ [Adjusting Contrast](#)

## Advanced Paper Settings

Use this dialog box to set detailed print settings that match the media type loaded on the printer.

If the paper becomes stained during printing or if the quality of the print results is less than expected, using these settings may improve the print results.



### Dry Time (Between Pages)

Allows you to set the interval between the time each page is printed and the time it exits the printer. Since a certain waiting time is required for the ink to dry before the roll paper is cut, even when automatic cutting is set, you can cut the paper when the ink is dry.

The **Dry Time (Between Pages)** setting is effective only for roll paper.

#### Printer Default

Applies the settings configured in operation panel of the printer.

#### None

Documents are ejected immediately after printing is over.

#### 30 seconds / 1 minute / 3 minutes / 5 minutes / 10 minutes / 30 minutes / 60 minutes

After printing is over, documents are ejected after the set time has elapsed.

### Dry Time (Between Scans)

Allows you to set the interval between the printing of a scan on a page and the printing of the next scan. Prevents ink bleeding on a page or uneven coloring during borderless printing.

#### Printer Default

Applies the settings configured in operation panel of the printer.

#### None

Each scan is printed immediately after the previous one.

### **0.5 seconds / 1 second / 3 seconds / 5 seconds / 7 seconds / 9 seconds**

After one scan has been printed, the next one will be printed after the set time has elapsed.  
Increase the interval depending on the occurrence of bleeding and uneven coloring.

### **Roll Paper Safety Margin**

Allows you to specify the length of the white margins on the edges of the paper in order to make even significantly curled paper adsorb to the platen.

#### **Printer Default**

Applies the settings configured in operation panel of the printer.

#### **3mm**

Prints in standard-size.

Choose this setting if there are no particular problems when printing.

#### **20mm**

Choose this setting in case of chafing against the print head, for example when using significantly curled paper.

### **Cut Speed**

Allows you to select the speed of automatic cutting. Use it to adjust the automatic cutting function when clean cutting is not possible.

#### **Printer Default**

Applies the settings configured in operation panel of the printer.

#### **Fast**

Choose this if clean cut surfaces are not possible with the **Standard** setting.

#### **Standard**

Choose this if there are no particular problems with automatic cutting.

#### **Slow**

Choose it when using adhesive paper in order to prevent the glue from sticking to the cutter and to avoid a drop in cutting performance.

### **Automatic Cutting**

You can set whether to have the paper cut automatically or to have cut lines printed on the paper.  
The following settings can be configured for automatic cutting.

#### **Yes**

Applies the settings configured in the operation panel of the printer unit.

#### **None**

After printing is over, the printer goes on to print the next set of data without cutting the paper into individual pages.

#### **Print Cut Guideline**

After printing is over, the printer prints cutting lines on each page and goes on to print the next set of data.

### **Unidirectional Printing**

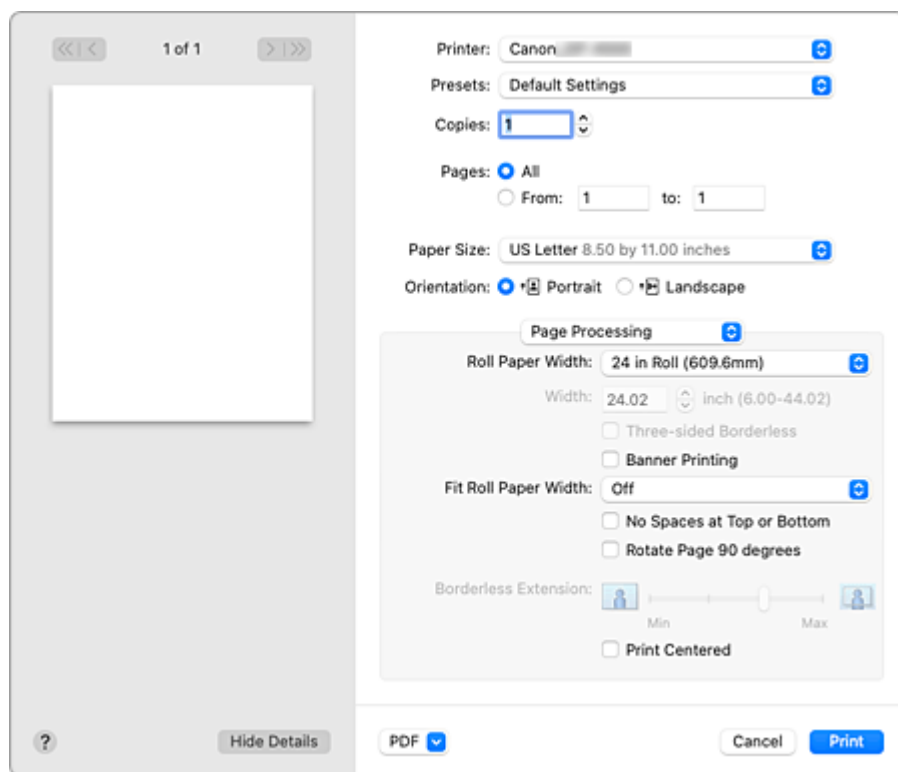
Suppresses uneven coloring and line shifts during printing.  
To perform unidirectional printing, check this check box.

**Calibration Value**

Allows you to apply the results of calibration performed on the printer. To apply the calibration values, select **Use Value**.

## Page Processing

You can configure advanced settings, such as for printing on roll paper and for adjusting how much of the document extends outside the paper when printing borderless.



### Roll Paper Width

Select the roll paper width.

Select the width that matches the width of the roll paper loaded in the printer.

### Width

This enables you to select **Custom Size** in **Roll Paper Width**, allowing you to specify the roll width.

### Three-sided Borderless

If you check this check box, and the width or the length of the output paper size is smaller than the roll width, a margin will be created on the right of the document, and the remaining three sides (top, bottom, and left) will be borderless when printing.

### Banner Printing

Select this check box to print documents with several pages as one continuous document. When you do this, the spaces between the pages will be removed.

### Fit Roll Paper Width

The printer automatically expands or reduces the document to match the roll paper width and then prints the document.

#### Off

The document is printed as-is without being expanded or reduced.

#### On (Bordered)

The printer automatically expands or reduces the document to match the roll paper width and then prints the document.



### **On (Borderless)**

When borderless printing is performed, the printer automatically enlarges or reduces the document to match the roll paper width and then prints the document.

### **No Spaces at Top or Bottom**

When printing on roll paper, you can save paper by reducing the upper and lower margins.

### **Rotate Page 90 degrees**

When you print a portrait document onto roll paper, you can save paper by rotating the document 90 degrees and print the document horizontally relative to the paper.

### **Borderless Extension**

Adjusts how much of the document extends outside the paper by using the **Borderless Extension** slider bar.

Drag to slider bar to the right to increase the extension amount, and to the left to decrease the extension amount.

### **Print Centered**

Prints document in center of paper.

### **»» Note**

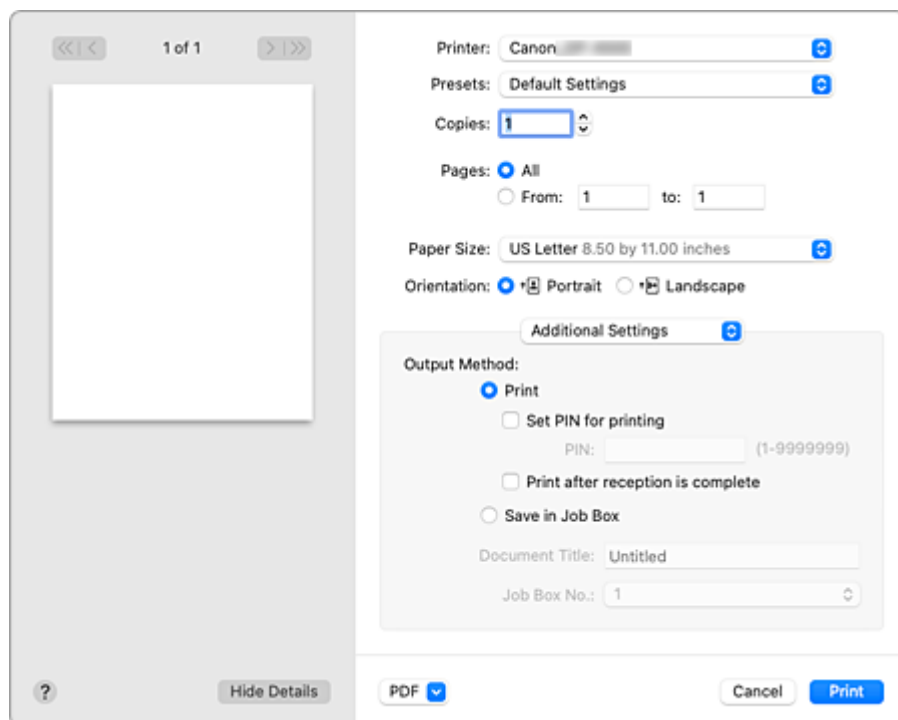
- Depending on the settings, some items cannot be set.

### **Related Topic**

➔ [Prints without Edges Based on the Scenarios](#)

## Additional Settings

Use this dialog to set the output method.



### Output Method

Set the method for exporting the print job to the printer's hard disk drive.

#### Print

After the printing ends, the print job is not saved to the printer's hard disk drive.

#### Set PIN for printing

Set a PIN code for print jobs to prevent issues such as retrieving the wrong documents and allowing others to peek at your documents.

#### PIN

Enter a one to seven-digit number.

#### Print after reception is complete

This can be set when selecting **Print**.

If you check this, printing will start after the print job is received. This prevents a decrease in print quality due to the printing being suspended.

#### Save in Job Box

Save the print job to the hard disk of the printer. When selecting **Save in Job Box**, select the individual box to save to from the **Job Box No.** list.

#### Document Title

This can be set when selecting **Save in Job Box**.

Input the name of the document you wish to save.

#### Job Box No.

This can be set when selecting **Save in Job Box**.

Select the box number from the list.

## Specifications

### ►► Important

- The following values may vary depending on the operating environment.

### Paper

For details on the compatible media types, see "Paper Information List."

Paper width		For details on the paper widths supported by the printer, see " <a href="#">Paper Sizes.</a> "
Minimum paper length	Rolls	4.00 in. (101.6 mm) 7.9 in. (200 mm) for Cross-canvas paper
	Sheets	8.00 in. (203.2 mm)
Maximum printable length	Rolls	59 feet (18 m) Varies depending on the operating system or application.
	Sheets	5.2 feet (1.6 m) For some models, when using a stand.
Thickness	Rolls	3-31 mil (0.07-0.8 mm)
	Sheets	3-31 mil (0.07-0.8 mm)
Roll maximum outer diameter		6.7 in. (170 mm) or shorter
Supported paper core inner diameter		2.00 in./3.00 in. (50.8 mm/76.2 mm)
Print area		For details about Print Area, see " <a href="#">Print Area.</a> "

## **Updating the Printer Driver**

---

- **Obtaining the Latest Printer Driver**
- **Delete the Unnecessary Canon IJ Printer from the Printer List**
- **Before Installing the Printer Driver**
- **Installing the Printer Driver**

## Obtaining the Latest Printer Driver

---

By updating the printer driver to the latest version of the printer driver, unresolved problems may be solved.

You can access our website and download the latest printer driver for your model.

### »» Important

- You can download the printer driver for free, but any Internet access charges incurred are your responsibility.

### Related Topics

- ➔ [Before Installing the Printer Driver](#)
- ➔ [Installing the Printer Driver](#)

## Delete the Unnecessary Canon IJ Printer from the Printer List

---

A Canon IJ Printer that you no longer use can be deleted from the printer list.

Before deleting the Canon IJ Printer, disconnect the cable that connects the printer to the computer.

The procedure to delete the unnecessary Canon IJ Printer from the printer list is as follows:

You cannot delete the Canon IJ Printer unless you are logged on as a user with administrative rights.

1. Open **System Preferences**, and select **Printers & Scanners**

2. Delete the Canon IJ Printer from the printer list

From the printer list, select the Canon IJ Printer to be deleted, and then click -.

Click **Delete Printer** when the confirmation message appears.

## Before Installing the Printer Driver

---

This section describes the items that you should check before installing the printer driver. You should also refer to this section if the printer driver cannot be installed.

### Checking the Personal Computer Settings

- Terminate all running applications.
- Log on as a user who has the administrator account. The installer will prompt you to enter the name and password of the administrative user. When multiple users are using macOS, log on with the account of the administrator who registered first.

#### »» Important

- When you upgrade macOS, all printer drivers that were installed will be deleted. If you plan to continue using this printer, re-install the latest printer driver.

### Related Topics

- ➔ [Obtaining the Latest Printer Driver](#)
- ➔ [Installing the Printer Driver](#)

## Installing the Printer Driver

You can access our web site through the Internet and download the latest printer driver for your model.

The procedure for installing the downloaded printer driver is as follows:

### 1. Mount the disk

Double-click the disk image file you have downloaded.

The file is unpacked, and then the disk is mounted.

### 2. Start the installer

Double-click "PrinterDriver\_XXX\_YYY.pkg" (where "XXX" is your model name, and "YYY" is version) contained in the disk.

### 3. Start the installation

Install the printer driver according to the messages on the screen.

When the Software License Agreement is displayed, check the contents, and click **Continue**. If you do not agree to the terms of the Software License Agreement, you cannot install this software.

### 4. Selecting the install destination

If necessary, select where you want to install the printer driver, and then click **Continue**.

### 5. Executing the installation

Click **Install**.

When the authentication screen is displayed, enter the name and password of the administrator, and then click **Install Software**.

### 6. Complete the installation

When the completion message appears, click **Close**.

The printer driver is installed successfully.

### ▶▶ Important

- If the Installer does not operate properly, select **Quit Installer** from the **Installer** menu of the Finder to quit the Installer. Then start the Installer again.
- You can download the printer driver for free, but you are responsible for paying any connection fees to the Internet.

## Related Topics

- ➔ [Obtaining the Latest Printer Driver](#)
- ➔ [Delete the Unnecessary Canon IJ Printer from the Printer List](#)
- ➔ [Before Installing the Printer Driver](#)



## **Application Software**

---

- ▶ **Professional Print & Layout Guide**
- ▶ **Direct Print Plus Guide**
- ▶ **Easy-PhotoPrint Editor Guide**
- ▶ **Preview Guide (Windows)**
- ▶ **Preview Guide (macOS)**
- ▶ **Free Layout plus Guide (Windows)**
- ▶ **Free Layout Guide (macOS)**
- ▶ **Quick Utility Toolbox Guide**
- ▶ **IJ Network Device Setup Utility Guide**
- ▶ **Media Configuration Tool Guide**
- ▶ **Device Management Console Guide**
- ▶ **Accounting Manager Guide**
- ▶ **PosterArtist Guide**
- ▶ **Firmware Update Tool**

## Managing Print Jobs

---

### ► Basic Print Job Operations

- Using Printer Hard Disk
- Saving Print Jobs on Personal Job Boxes
- Priority Printing
- Printing Pending Jobs
- Printing Security Print Jobs
- Deleting Print Jobs
- Printing Saved Jobs
- Deleting Saved Jobs
- Moving Saved Jobs

### ► Advanced Print Job Operations

- Saving Print Jobs Sent from Sources Other than Printer Driver
- Printing without Saving Jobs in Common Job Box
- Setting Passwords for Personal Job Boxes
- Naming Personal Job Boxes
- Printing List of Saved Jobs
- Renaming Saved Jobs
- Printer Hard Disk Operations
- Checking Free Hard Disk Space

### ► Collecting Printer Job Logs Using Accounting Manager

## **Basic Print Job Operations**

---

- **Using Printer Hard Disk**
- **Saving Print Jobs in Personal Job Boxes**
- **Priority Printing**
- **Printing Pending Jobs**
- **Printing Security Print Jobs**
- **Deleting Print Jobs**
- **Printing Saved Jobs**
- **Deleting Saved Jobs**
- **Moving Saved Jobs**

## Using Printer Hard Disk

The printer can save print jobs on the built-in hard disk.

Saving print jobs offers the following benefits.

- **Save the time spent using a computer**

When you send a print job to the printer, you can save it on the printer after printing or simply save it on the printer without printing it yet. Saved print jobs can be printed in the required quantity later without the need to use a computer again.

- **Simplify reprinting, if any errors occur**

If errors occur in the middle of printing (as when paper runs out), you can resume printing after clearing the error without resending the print job from a computer.

- **Streamline printing work**

Without using a computer, you can select print jobs and print in the desired quantity. You can also select multiple print jobs to print during the same period. This enables unattended operation at night, for example.

## Output Method

To save print jobs on the printer's hard disk, configure the printer driver.

In Windows, this is set using the **Output Method** dialog box.

In macOS, this is set by selecting **Additional Settings** in the pop-up menu of the printer properties dialog.

### Print

Perform printing while saving the print job on the temporary storage area of the printer's hard disk.

### Set PIN for printing

Set a 7 digit security code. To start printing, enter the PIN set here using the operation panel. If the entered PIN does not match the set PIN, the printing does not start.

### Print after reception is complete

This option is available in combination with **Print**. You can prevent degradation of print quality that occurs when receiving a print job is interrupted and printing is aborted in the middle.

### Save in Job Box

Save print jobs on the permanent storage area of the printer's hard disk. Selecting this does not start printing.

## Storage Destination

The storage area on the printer's hard disk is divided into a temporary storage area and a permanent storage area. The temporary storage area stores print jobs in the job queue or common job box. The permanent storage area stores jobs in personal job boxes.

## Job queue

The job queue refers to print jobs that are being processed by the printer (saved, received, prepared for processing, printed, deleted, or held). Up to 100 jobs can be stored in the temporary storage area. However, the number of jobs available as queued jobs is up to 64.

When the maximum number of job queues are saved, the print job sent from the computer is in a state of waiting for processing.

However, if all saved job queue states are pending, the oldest job queue of the saved date and time will be deleted and the print job sent from the computer will be processed.

## Common job box

Jobs for which you have specified **Print** in **Output Method** are saved in common job box and classified as saved jobs.

There is one common job box, numbered "00". A password cannot be set for common job box.

Up to 100 print jobs can be saved here. However, they will be deleted one after another starting with the oldest job in the following situations.

- If there are over 101 jobs queued and saved in common job box combined
- If no more temporary storage space is available when jobs for which you have selected **Print** in **Output Method** are received
- If there is not enough space in the temporary or permanent storage area when jobs for which you have selected **Save in Job Box** in **Output Method** are received.

## Personal job boxes

In the following cases, the job is classified as saved job and saved in a personal job box on the permanent storage area.

- When a saved job stored in common job box is moved to a personal job box
- When you have selected **Save in Job Box** in **Output Method**

There are 29 personal job boxes, numbered "01" to "29". You can specify a name and password for each personal job box.

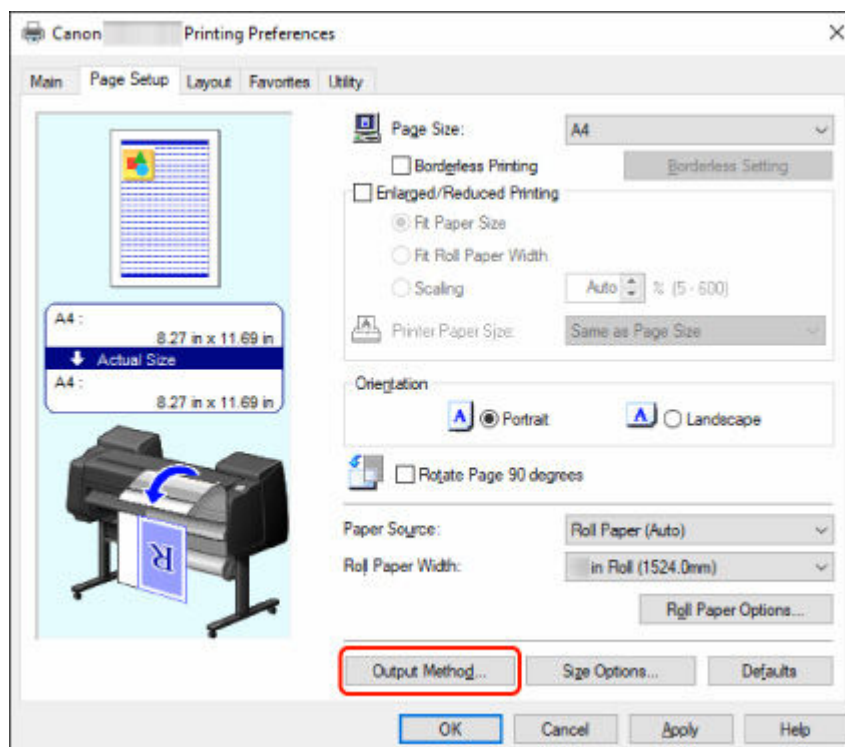
Up to 100 print jobs can be saved in all personal job boxes combined.

## Saving Print Jobs in Personal Job Boxes

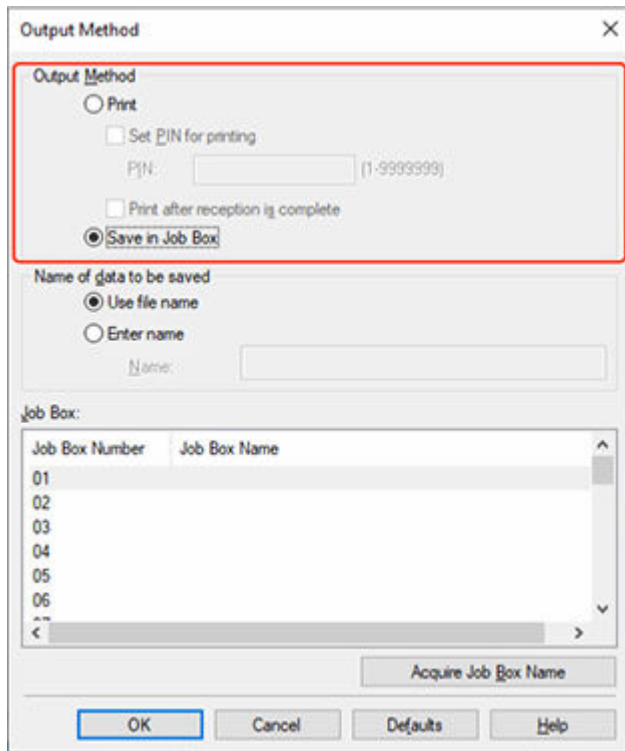
To save print jobs in personal job boxes, configure the printer driver.

### Configuring Printer Driver (Windows)

1. Open printer properties dialog box.
  - ➔ How to Open the Printer Driver Setup Window
2. Select **Page Setup** tab.
3. Select **Output Method**.



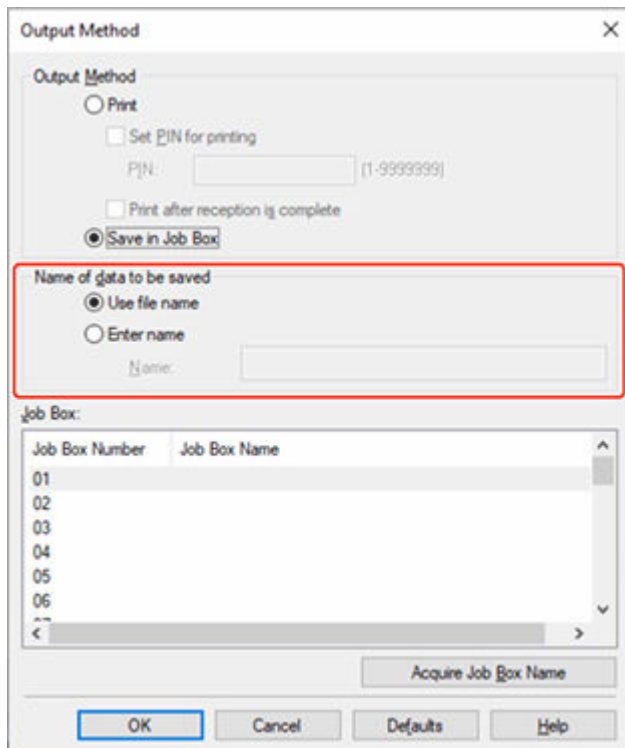
4. Select **Save in Job Box** in **Output Method**.



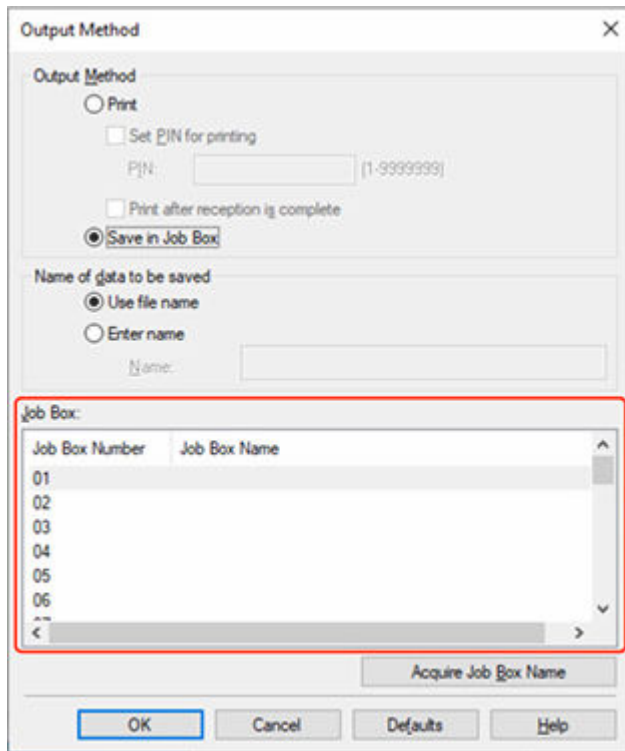
5. In **Name of data to be saved**, specify how to name saved print jobs.

To use the file name, select **Use file name**.

Otherwise select **Enter name** and enter a name in **Name**.



6. Select a personal job box in **Job Box**.



### ➤➤➤ Note

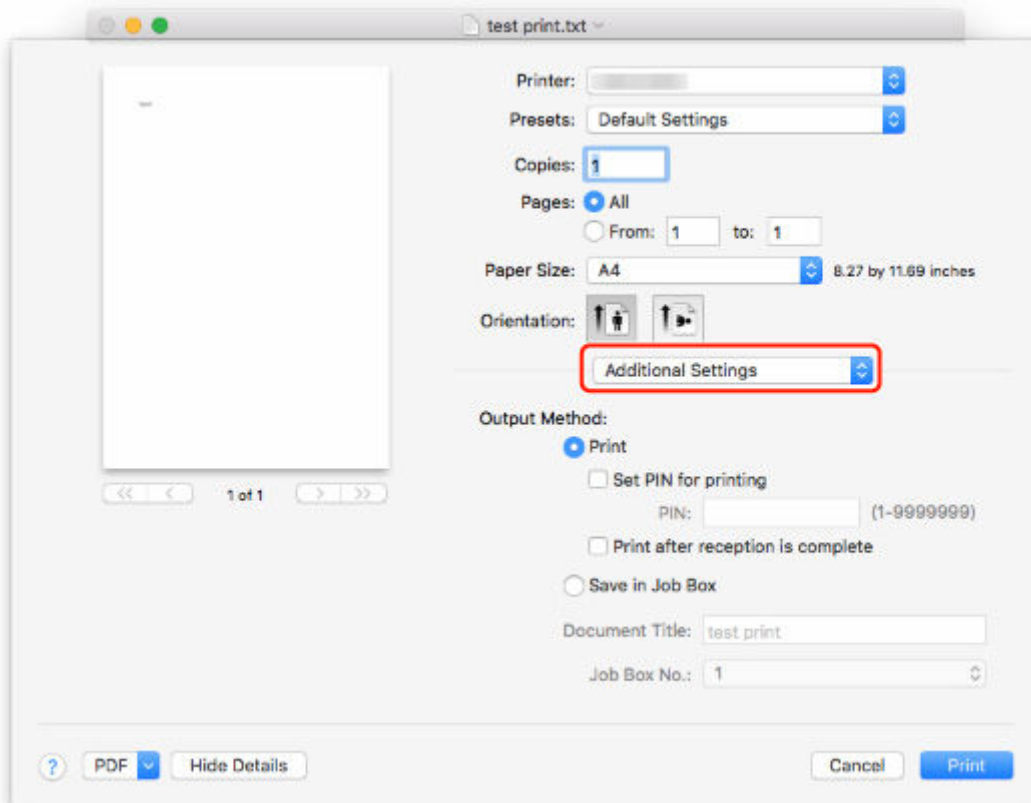
- Select **Acquire Job Box Name** to display personal job box names in the **Job Box** list, as acquired from the printer.

7. Select **OK**.

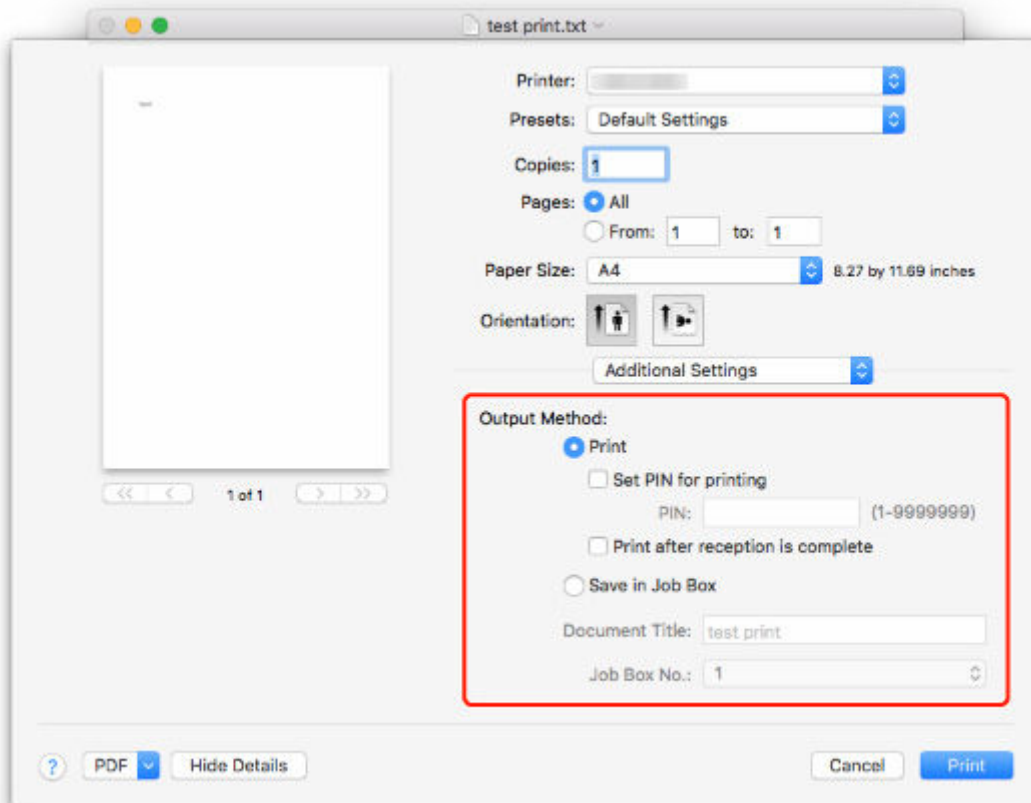
## Configuring Printer Driver (macOS)

1. Open printer properties dialog.
  - ➔ [How to Open the Printer Driver Setup Dialog](#)
2. Select **Additional Settings** in pop-up menu.





3. Select **Save in Job Box** in **Output Method**.



## Priority Printing



You can change the print order (Priority printing) by specifying the print job that is being received.

This operation is available using the operation panel or Remote UI.

➔ [Using Operation Panel](#)

➔ [Using Remote UI](#)

### ▶▶▶ Note

- For the operation of the print job with the  icon (pending print job), see [Printing Pending Jobs](#).
- For the operation of the print job with the  icon (security print job), see [Printing Security Print Jobs](#).

## Using Operation Panel

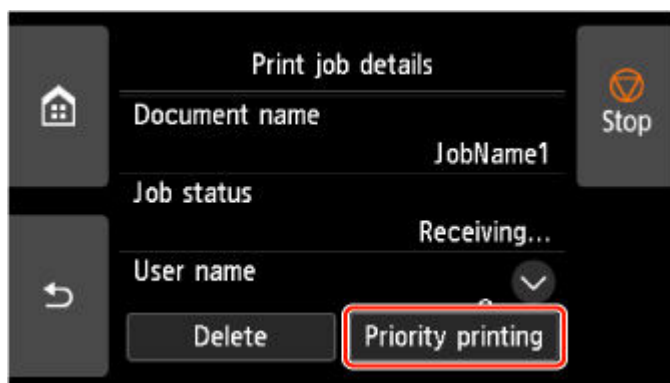
1. Tap  **Job management** on HOME screen.

➔ [Home Screen Menu Composition](#)

2. Tap **Print job**.

3. In the list, tap the target job.

4. Tap **Priority printing**.



5. Confirm displayed message and tap **Yes**.

## Using Remote UI

1. Start up Remote UI.

➡ [Start up Remote UI](#)

2. Select **Job management**.
3. Select **Print job**.
4. In the list, select the target job.
5. Select **Prioritize**.

## Printing Pending Jobs

If the type or size of paper loaded does not match the settings in the print job received when you have set **Detect paper setting mismatch** to **Hold job** in the operation panel, the print job is held on the printer as a pending job in the job queue.

To print held jobs, replace the loaded paper with the paper specified in the print job.

- ➔ [Loading the Upper Roll on the Printer](#)
- ➔ [Loading the Lower Roll on the Roll Unit \(Option\)](#)
- ➔ [Loading Sheets in the Printer](#)

This operation is available using the operation panel or Remote UI.

- ➔ [Using Operation Panel](#)
- ➔ [Using Remote UI](#)

### ▶▶▶ Note


- As long as you do not manage held jobs from the operation panel, they will remain in the job queue. In this case, the printer processes the next job in the queue without pausing.

## Using Operation Panel

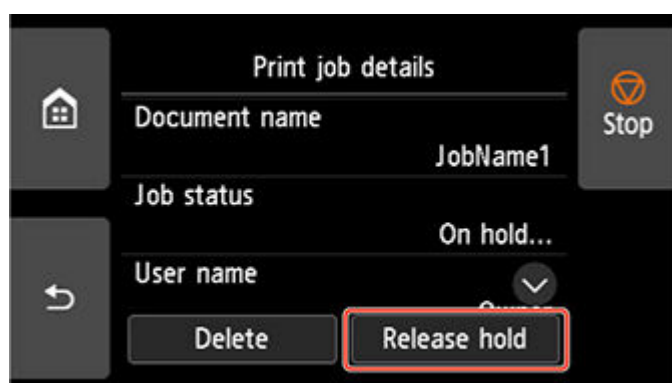
1. Tap  **Job management** on HOME screen.

➔ [Home Screen Menu Composition](#)

2. Tap **Print job**.

3. In the list, tap print job with  icon on the left.

4. Tap **Release hold**.



5. Confirm displayed message and tap **Yes**.


## Using Remote UI

1. Start up Remote UI.

➔ [Start up Remote UI](#)

2. Select **Job management**.

3. Select **Print job**.

4. In the list, select print job with  icon on the left.

5. Select **Release**.

## Printing Security Print Jobs

A security print job is a print job that requires you to enter the PIN code set in the printer driver when printing.

The print job specified for the security print job has a lock icon to the left of the job name in the list such as **List of print jobs**.


### ▶▶▶ Note

- The security print job remains saved as a normal pending job until you enter the PIN code using the operation panel or Remote UI. In this case, the printer processes the next job in the queue without pausing.
- When deleting a security print job, you do not need to enter a PIN code.

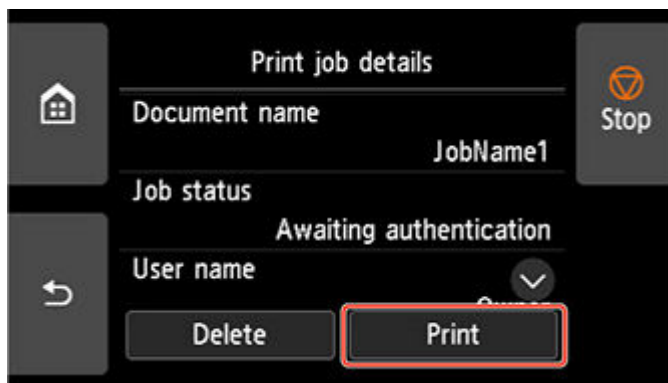
1. Tap  **Job management** on HOME screen.

➔ [Home Screen Menu Composition](#)

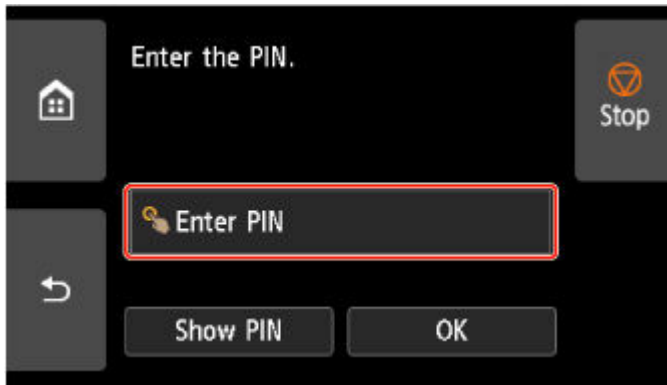
2. Tap **Job management**.

3. In the list, tap print job with  icon on the left.

4. Tap **Print**.



5. Enter PIN code you set and tap **OK**.



**6. Tap OK.**

**PIN authentication successful.** is displayed and printing starts.

**»» Note**

- The security print job is deleted after printing.



## Deleting Print Jobs

You can delete a print job as needed.

This operation is available using the operation panel or Remote UI.

➔ [Using Operation Panel](#)

➔ [Using Remote UI](#)

### Using Operation Panel

1. Tap  **Job management** on HOME screen.

➔ [Home Screen Menu Composition](#)

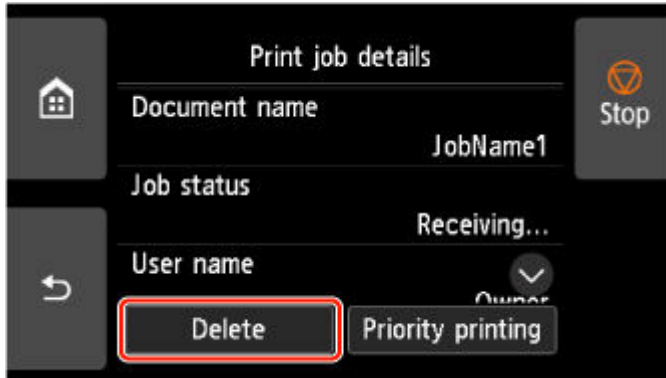
2. Tap **Print job**.

3. In the list, tap the target job.

#### ➤➤➤ Note

- Tap **Del. selected** to delete multiple jobs at one time.

4. Tap **Delete**.



5. Confirm displayed message and tap **Yes**.

#### ➤➤➤ Note

- Select **Delete all print jobs** on **Job management** to delete all jobs in the job queue

➔ [Job management](#)

### Using Remote UI

1. Start up Remote UI.

➔ [Start up Remote UI](#)

2. Select **Job management**.
3. Select **Print job**.
4. In the list, select the target job.
5. Select **Delete**.
6. Confirm displayed message and tap **Yes**.

## Printing Saved Jobs

Print saved print jobs stored on the printer's hard disk as follows.

This operation is available using the operation panel or Remote UI.

➔ [Using Operation Panel](#)

➔ [Using Remote UI](#)

### Using Operation Panel

1. Tap  **Job management** on HOME screen.

➔ [Home Screen Menu Composition](#)

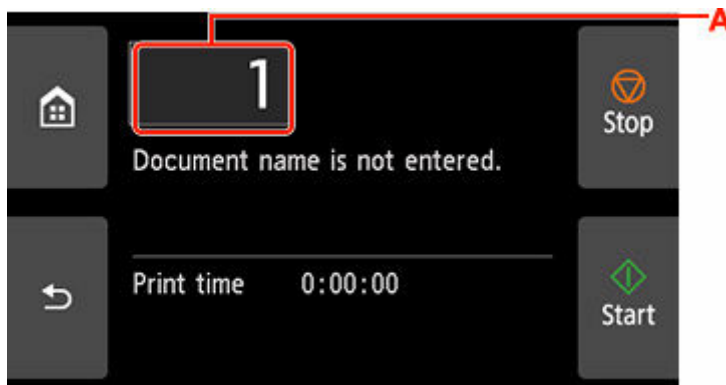
2. Tap **Saved job**.
3. In the list, tap the target job box.

#### ▶▶▶ Note

- Enter the password if it is enabled.

4. Tap **Job list**.
5. In the list, tap the target job.
6. Tap **Print settings**.
7. Specify the number of copies.

1. To change the number of copies, tap A.



2. Specify the number of copies and tap **OK**.



8. Tap **Start**.

## Using Remote UI

1. Start up Remote UI.

➔ [Start up Remote UI](#)

2. Select **Job management**.

3. Select **Saved job**.

4. In the list, select the target job box.

### ➤➤➤ Note

- Enter the password if it is enabled.

5. In the list, select the target job.

6. Select **Print**.

7. Enter the number of copies and select **Yes**.

8. select **Yes**.

## Deleting Saved Jobs

Delete saved print jobs stored on the printer's hard disk as follows.

This operation is available using the operation panel or Remote UI.

➔ [Using Operation Panel](#)

➔ [Using Remote UI](#)

### Using Operation Panel

1. Tap  **Job management** on HOME screen.

➔ [Home Screen Menu Composition](#)

2. Tap **Saved job**.
3. In the list, tap the target job box.

#### ▶▶▶ Note

- Enter the password if it is enabled.

4. Tap **Job list**.
5. In the list, tap the target job.
6. Tap **Delete**.
7. Confirm displayed message and tap **Yes**.

### Using Remote UI

1. Start up Remote UI.  
➔ [Start up Remote UI](#)
2. Select **Job management**.
3. Select **Saved job**.
4. In the list, select the target job box.

#### ▶▶▶ Note

- Enter the password if it is enabled.

5. In the list, select the target job.

6. Select **Edit**.

7. Select **Delete**.

8. Select **Yes**.

## Moving Saved Jobs

Print jobs stored on the printer's hard disk (saved jobs) can be moved from the current job box to another job box as follows.

However, jobs saved in personal job boxes cannot be moved to common job box.

### »» Important

- Jobs stored in common job box may be automatically deleted under some conditions. To prevent jobs from being deleted, move them from common job box to personal job boxes.

➔ [Using Printer Hard Disk](#)

1. Start up Remote UI.  
➔ [Start up Remote UI](#)
2. Select **Job management**.
3. Select **Saved job**.
4. In the list, select the target job box.

### »» Note

- Enter the password if it is enabled.

5. In the list, select the target job.
6. Select **Edit**.
7. Select **Move**.
8. Select **Destination job box**.
9. In the list, select the personal job box to move to and select **OK**.

### »» Note

- Enter the password if it is enabled.

## **Advanced Print Job Operations**

---

- **Saving Print Jobs Sent from Sources Other than Printer Driver**
- **Printing without Saving Jobs in Common Job Box**
- **Setting Passwords for Personal Job Boxes**
- **Naming Personal Job Boxes**
- **Printing List of Saved Jobs**
- **Renaming Saved Jobs**
- **Printer Hard Disk Operations**
- **Checking Free Hard Disk Space**



## Saving Print Jobs Sent from Sources Other than Printer Driver

To save print jobs sent from software or systems other than the printer driver or applications provided with the printer, specify the output method and select the setting to perform printing after saving printing data using the operation panel.

### ▶▶▶ Note

- Contact the software or system developer for information about support for this printer function.

### ▶▶▶ Important

- The administrator password is required to change settings if it is enabled for changing settings using the operation panel.

➔ [Specifying Output Method](#)

➔ [Printing after Saving Printing Data](#)

## Specifying Output Method

Perform settings for printing or saving print job.

1. Tap  **Printer settings** on HOME screen.

➔ [Home Screen Menu Composition](#)

2. Tap **Hard disk settings**.

If you specify the administrator password, enter the password.

3. Tap **Output method**.

4. Tap the output method you want to set up.

#### **Print**

Save print jobs automatically at the same time they are printed. (This is the default format.)

#### **Print (auto delete)**

Save print jobs temporarily at the same time they are printed and delete them after printing.

#### **Save to job box**

Save print jobs on in the personal job box.

## Printing after Saving Printing Data

To save print jobs on the hard disk before printing, select **ON** for **Save first and print**.

Printing will start when **Save first and print** is set to **ON**, even if you have selected **Save to job box** for **Output method**.

1. Tap  **Printer settings** on HOME screen.

➔ [Home Screen Menu Composition](#)

2. Tap **Hard disk settings**.

If you specify the administrator password, enter the password.

3. Tap **Save first and print**.

4. Tap **ON**.

## Printing without Saving Jobs in Common Job Box

Jobs sent from a computer for which you have selected **Print** in **Output Method** in the printer driver are saved in common job box.

➔ [Using Printer Hard Disk](#)

When **Common job box settings** is set to **Print (auto delete)** in the operation panel menu, print jobs for which you have selected **Print** in **Output Method** in the printer driver are deleted from common job box after printing.

Use this function when printing highly confidential documents.

### ▶▶▶ Important

- The administrator password is required to change settings if it is enabled for changing settings using the operation panel.



1. Tap **Printer settings** on HOME screen.

➔ [Home Screen Menu Composition](#)

2. Tap **Hard disk settings**.

If you specify the administrator password, enter the password.

3. Tap **Common job box settings**.

4. Tap **Print (auto delete)**.

## Setting Passwords for Personal Job Boxes

For greater security, you can specify a password for personal job boxes. After setting the password, it is necessary to enter the password when performing the following operations.

- Change personal job box settings
- Display / print the list of jobs saved in personal job box, print / delete / move /rename jobs saved in personal job box

### »» Note

- By default, no passwords are set for personal job boxes.
- A password cannot be set for common job box.
- Enter a seven-digit number as the password, in the range 0000001 to 9999999.
- Even if you have set passwords, they are not required to access personal job boxes in Administrator Mode in Remote UI.

1. Start up Remote UI.

➔ [Start up Remote UI](#)

2. Select **Job management**.

3. Select **Saved job**.

4. In the list, tap the target job box.

5. Select **Edit**.

6. Select **Set/change password** check box and enter password. (This field is limited to seven digits in the range 0000001 to 9999999.)

7. Select **OK**.

## Naming Personal Job Boxes

---

For easier identification, you can assign names to personal job boxes.

1. Start up Remote UI.

➔ [Start up Remote UI](#)

2. Select **Job management**.

3. Select **Saved job**.

4. In the list, select the target job box.

### ▶▶▶ Note

- Enter the password if the personal job box has it.

5. Select **Edit**.

6. Enter name and select **OK**.

## Printing List of Saved Jobs

---

The list of print jobs stored on the printer's hard disk (saved jobs) can be printed by job box as follows.

1. Tap  **Job management** on HOME screen.

➔ [Home Screen Menu Composition](#)

2. Tap **Saved job**.

3. In the list, tap the target job box.

### »» Note

- Enter the password if the personal job box has it.

4. Tap **Print the job list**.

For each job box, a list of saved jobs is printed.

## Renaming Saved Jobs

---

Print jobs stored on the printer's hard disk (saved jobs) can be renamed as follows.

1. Start up Remote UI.

➔ [Start up Remote UI](#)

2. Select **Job management**.

3. Select **Saved job**.

4. In the list, tap the target job box.

### ▶▶▶ Note

- Enter the password if the personal job box has it.

5. In the list, tap the target job.

6. Select **Edit**.

7. Select **Change**.

8. Enter name and select **OK**.

## Printer Hard Disk Operations

Printer hard disk operations are available from the following programs and interfaces.

- **Printer driver**
- **Remote UI**
- **Operation panel**

The hard disk operations available through each interface are as follows.

Operation		Printer driver	Remote UI	Operation panel
Saving print jobs	Save to job box	✓	-	-
	Print without saving jobs in common job box	-	-	✓
	Save print jobs sent from sources other than printer driver	-	-	✓
Operations with saved jobs	Print saved jobs	-	✓	✓
	Delete saved jobs	-	✓	✓
Job queue management	Display job queue	-	✓	✓
	Delete	-	✓	✓
	Priority printing	-	✓	✓
	Operations with pending jobs	-	✓	✓
	Operations with security print jobs	-	-	✓
	Delete Operations with security jobs	-	✓	✓
Job box management	Move saved jobs	-	✓	-
	Modify saved jobs	-	✓	-
	Modify job boxes	-	✓	-
	Print a list of saved jobs	-	-	✓
	Display a list of saved jobs	-	✓	✓
Other operations	Display free hard disk space	-	✓	✓
	Initialize hard disk	-	-	✓
	Display the time of printing	-	✓	✓
Display error messages		-	✓	✓



## Checking Free Hard Disk Space

---

Check the space available on the printer's hard disk as follows.

This operation is available using the operation panel or Remote UI.

➔ [Using Operation Panel](#)

➔ [Using Remote UI](#)

### Using Operation Panel

1. Tap  **Printer information** on HOME screen.

➔ [Home Screen Menu Composition](#)

2. Tap **Hard disk information**.

The free hard disk space (job box free space) appears.

### Using Remote UI

1. Start up Remote UI.

➔ [Start up Remote UI](#)

2. Select **Job management**.

3. Select **Hard disk information**.

The free hard disk space (job box free space) appears.

## Frequently Asked Questions

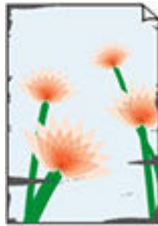
---

### Problems with the Printing Quality



Unevenness, Banding, Faint

- ➔ [Printing is faint](#)
  - ➔ [Banding in different colors occurs](#)
  - ➔ [Colors in printed images are uneven](#)
  - ➔ [Image edges are blurred or white banding occurs](#)
- 



dirt

- ➔ [Paper rubs against the Print Head](#)
  - ➔ [The edges of the paper are dirty](#)
  - ➔ [The surface of the paper is dirty](#)
  - ➔ [The back side of the paper is dirty](#)
  - ➔ [Immediately after borderless printing, the trailing edge margin is soiled during regular printing](#)
-



colors are inaccurate

- ➔ [Printed colors are inaccurate](#)
- ➔ [Documents are printed in monochrome](#)



Line

- ➔ [Line thickness is not uniform](#)
- ➔ [Lines or colors are misaligned](#)

Others

- ➔ [The length of the printed image in the paper ejection direction is not accurate](#)
- ➔ [Images are printed crooked](#)
- ➔ [Borders appear in borderless printing](#)

## General FAQ

- ➔ [I want to easily create vertical or horizontal banners](#)
- ➔ [Does this printer support sub-ink tank system](#)
- ➔ [I want to know how to configure roll cutting](#)
- ➔ [I want to configure so that the roll is cut automatically after waiting for the ink to dry](#)
- ➔ [How do I print without borders](#)
- ➔ [I want to know the paper types that can be used in this printer](#)
- ➔ [The paper type that I want to print is not displayed on the Touch Screen](#)
- ➔ [Can I perform duplex printing](#)
- ➔ [I want to perform enlargement printing](#)
- ➔ [Network Settings and Common Problems](#)

## Search by Category

### Problems Regarding Paper

- ➔ [Remove Jammed Roll Paper](#)

- ➔ [Remove a Jammed Sheet](#)
- ➔ [Roll paper cannot be inserted into the Paper Feed Slot](#)
- ➔ [Paper is not fed automatically](#)
- ➔ [Roll Paper Is not Switched Automatically](#)
- ➔ [Roll Paper Is not Fed Automatically](#)
- ➔ [Paper Source Does Not Switch When Roll Paper Is Used Up](#)
- ➔ [Roll Paper Remains/Lacks under Quantity Management](#)
- ➔ [Cannot load sheets](#)
- ➔ [Paper is not cut straight](#)
- ➔ [Paper is not cut](#)
- ➔ [Cutter Blade Does Not Work While Cutting Is in Progress](#)
- ➔ [The size of clear film cannot be detected](#)
- ➔ [Margins are wide](#)
- ➔ [When printing on roll paper, the printed surface becomes scratched](#)

### Printing Does Not Start

- ➔ [Printer Suddenly Stopped Working for Some Reason](#)
- ➔ [The Data lamp on the Operation Panel does not light up](#)
- ➔ [The printer does not respond even if print jobs are sent](#)
- ➔ ["Preparing the ink system." is displayed](#)
- ➔ ["Agitating the ink" is displayed](#)
- ➔ [Message Is Displayed and Borderless Printing Fails](#)

### The Printer Stops During a Print Job

- ➔ [Printing stops and an error message is displayed](#)
- ➔ [The printer ejects blank, unprinted paper](#)

### Cannot Print over Network

- ➔ [Cannot Connect Printer to Network](#)
- ➔ [Cannot Print over TCP/IP Network](#)
- ➔ [Cannot Print over Bonjour networks](#)

### Cannot Find Printer on Network

- ➔ [Cannot Find Printer During Setup](#)
- ➔ [Cannot Proceed beyond Printer Connection Screen/Connect Cable Screen](#)
- ➔ [Searching Printer by IP Address or Host Name During Setup](#)
- ➔ [Cannot Find Printer while Using Wi-Fi](#)
- ➔ [Cannot Find Printer while Using Wired LAN](#)
- ➔ [Cannot Print Using AirPrint](#)

### Installation Problems

- ➔ [Removing Printer Software](#)
- ➔ [Taking Time to Setup Process \(Windows\)](#)
- ➔ [Failed to Printer Driver Installation \(Windows\)](#)

### Other Problems

- ➔ [Printer does not turn on](#)
- ➔ [If the Printer Makes a Strange Sound](#)
- ➔ [Messages advising to check the maintenance cartridge are not cleared](#)

- ➡ [Printer consumes a lot of ink](#)
- ➡ [Printed pages are not collected cleanly in the basket](#)
- ➡ [Basket Lurches](#)
- ➡ [When Trim edge first is set, the trimmed paper is drawn into the roll unit](#)
- ➡ [Ink Level Detection](#)
- ➡ [Media Type Selection does not Match Loaded Media Type](#)
- ➡ [Warning Message is Displayed When Performing Color Calibration](#)



## I want to easily create vertical or horizontal banners

---



You can print originals that are in landscape (or portrait) orientation automatically enlarged to fit the roll width. This is an easy way to create vertical or horizontal banners.

- ➔ [Printing Hanging and Horizontal Banners \(Large-Format Printing\) \(Windows\)](#)
- ➔ [Printing Hanging and Horizontal Banners \(Large-Format Printing\) \(macOS\)](#)



## Does this printer support sub-ink tank system

---



This printer supports hot-swap ink tank replacement.

Even if an ink tank becomes empty during printing, since a certain amount of ink always is stored in a sub-ink tank, you can replace the ink tank while printing.

➔ [Replacing Ink Tanks](#)



## I want to know how to configure roll cutting

---



Cutting methods can be selected in the printer settings and printer driver settings.

To automatically cut roll paper after printing, open the **Cutting mode** settings on the printer, and then under **Automatic cut** set **Automatic Cutting** in the printer driver to **Yes**.

When using paper that is easily scratched, or paper where the ink requires extra time to fix, we recommend setting **Cutting mode** on the printer to **Eject cut**.

- ➔ [Specifying the Cutting Method for Rolls](#)
- ➔ [Cutting Roll Paper after Printing \(Windows\)](#)
- ➔ [Cutting Roll Paper after Printing \(macOS\)](#)

If using the Media Take-up Unit, see the pages below for cutting settings and rolling settings after cutting.

- ➔ [Switching Roll Unit Modes](#)
- ➔ [Removing Printed Paper from the Roll Unit](#)





**I want to configure so that the roll is cut automatically after waiting for the ink to dry**

---



You can set an ink drying time in the printer driver.

You can also configure the same settings on the printer itself.

➔ [Specifying the Ink Drying Time](#)



## How do I print without borders

---



If printing on roll paper, you can set borderless printing in the printer driver settings. (If printing on sheets, borderless printing is not possible)

- ➔ Printing without Edges Based on the Scenarios (Windows)
- ➔ [Printing without Edges Based on the Scenarios](#) (macOS)



**I want to know the paper types that can be used in this printer**

---



For information about paper that can be used with this printer, refer to the media information list.

➔ [Paper Information List](#)



**The paper type that I want to print is not displayed on the Touch Screen**

---



If using a new paper type, start the Media Configuration Tool to get the latest media information.

➔ [Updating paper information](#)



## Can I perform duplex printing

---



This printer cannot print double-sided.

An alternative to double-sided printing is to use the **Folded Duplex** function of the Windows software Free Layout plus, which prints two pages on one side, folds the sheet back from the center, and hangs it.

➔ [Laying Out Documents Freely Using Free Layout plus](#)



## I want to perform enlargement printing

---



Use the printer driver to adjust the original to the paper size and width, or print enlarged or reduced by specifying a magnification factor.

- ➔ Scaled Printing (Windows)
- ➔ [Scaled Printing](#) (macOS)

## Network Settings and Common Problems

---

Here are frequently asked questions on network.

### Cannot Find Printer

- ➔ [Cannot Find Printer During Setup](#)
- ➔ [Cannot Proceed beyond Printer Connection Screen/Connect Cable Screen](#)
- ➔ [Searching Printer by IP Address or Host Name During Setup](#)
- ➔ [Cannot Find Printer while Using Wi-Fi](#)
- ➔ [Cannot Find Printer while Using Wired LAN](#)
- ➔ [Cannot Print Using AirPrint](#)

### Cannot Print or Connect

- ➔ [Cannot Connect Printer to Network](#)
- ➔ [Cannot Print over TCP/IP Network](#)
- ➔ [Cannot Print over Bonjour networks](#)
- ➔ [Printer Suddenly Stopped Working for Some Reason](#)

### LAN Setting Tips/Changing LAN Settings

- ➔ [Printer Connection Methods](#)
- ➔ [Default Network Settings](#)
- ➔ [Another Printer Found with Same Name](#)
- ➔ [Connecting to Another Computer via LAN/Changing from USB to LAN Connection](#)
- ➔ [Printing Network Settings](#)
- ➔ [Reconfiguration Method of LAN Connection/Reconfiguration Method of Wi-Fi Connection](#)
- ➔ [Network Status and Troubleshooting](#)

## **Problems Regarding Paper**

---

- **Remove Jammed Roll Paper**
- **Remove a Jammed Sheet**
- **Roll paper cannot be inserted into the Paper Feed Slot**
- **Paper is not fed automatically**
- **Roll Paper Is not Switched Automatically**
- **Roll Paper Is not Fed Automatically**
- **Paper Source Does Not Switch When Roll Paper Is Used Up**
- **Roll Paper Remains/Lacks under Quantity Management**
- **Cannot load sheets**
- **Paper is not cut straight**
- **Paper is not cut**
- **Cutter Blade Does Not Work While Cutting Is in Progress**
- **The size of clear film cannot be detected**
- **Margins are wide**
- **When printing on roll paper, the printed surface becomes scratched**





## Remove Jammed Roll Paper



If roll paper jams, follow the steps below to remove jams.

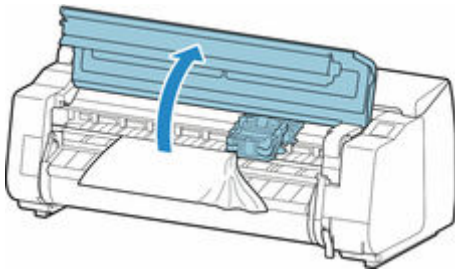
### ▶▶▶ Note

- If "The paper is jammed. Lift the release lever and remove the paper." appears on the touch screen, Step 1 and Step 9 can be skipped.

1. Turn off the power to the printer.

➔ [Turning the Printer On and Off](#)

2. Open the top cover.

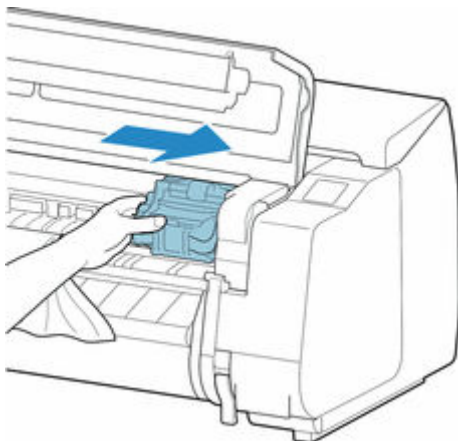


### ▶▶▶ Note

- If the roll paper is very curled or the leading edge of the roll paper blocks the Carriage, setting the cutting method for the roll paper to **User cut** and leading edge detection to **Do not detect** may stop the paper from blocking the carriage.

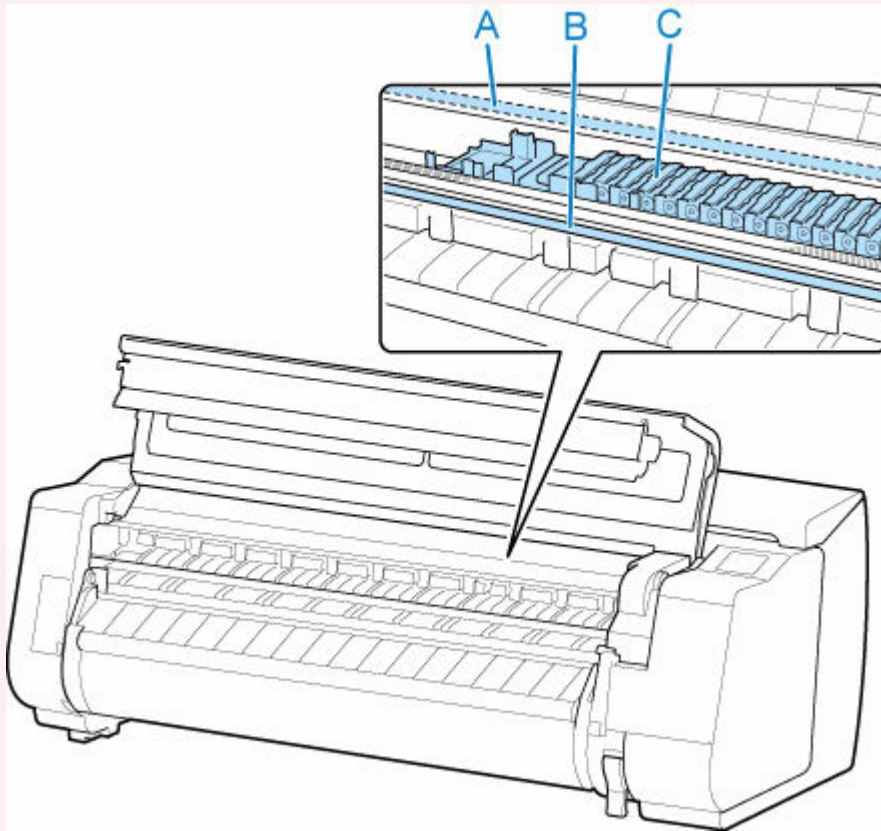
➔ [Specifying the Cutting Method for Rolls](#)

3. If the Carriage is out, move the Carriage to the left or right side, away from the jammed paper.

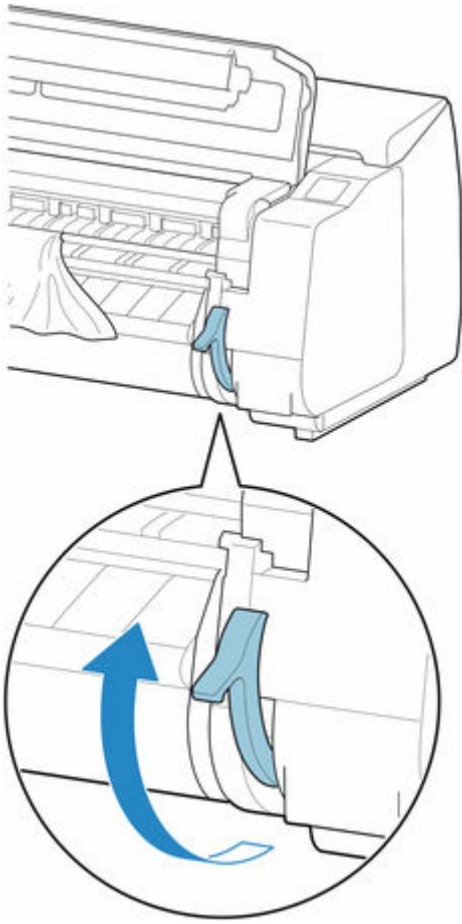


**Important**

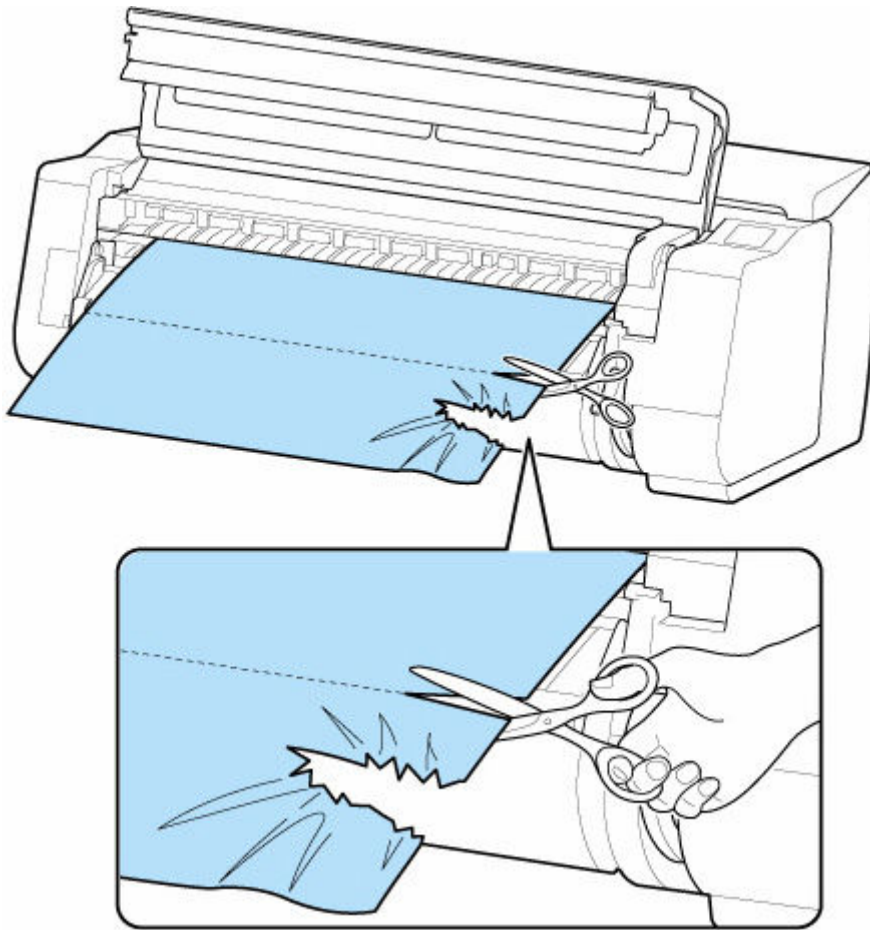
- Do not touch the linear scale (A), carriage shaft (B), or ink tube stabilizer (C). Touching these may cause malfunction.



4. Lift up the release lever.



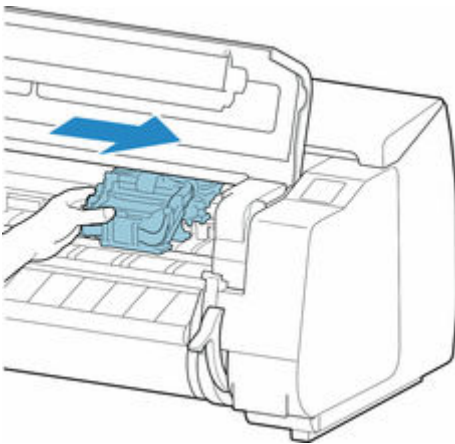
5. Holding the paper on both sides, pull the jammed portion out toward the front. Use scissors or a cutting tool to cut away the printed or wrinkled portion.



**⚠ Caution**

- Be careful not to injure yourself or scratch the printer when cutting.

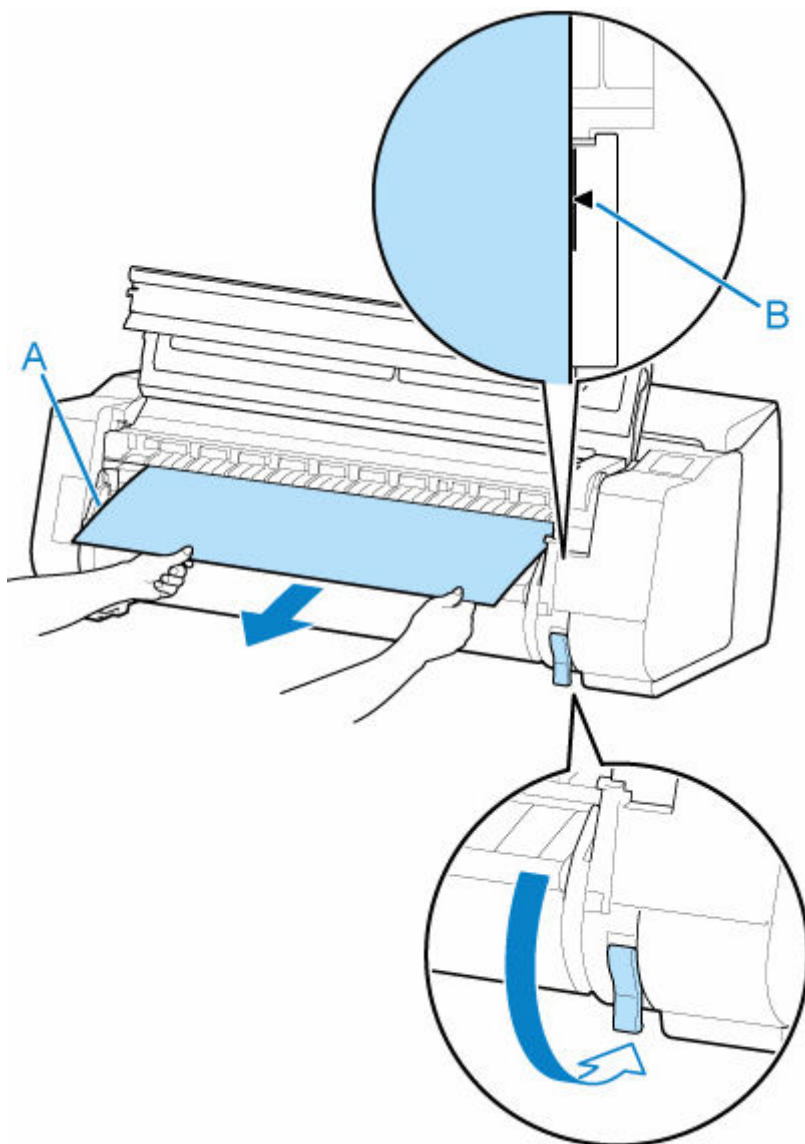
6. If the Carriage is on the left, move the Carriage to the right until it stops.



**▶▶▶ Important**

- Always move the Carriage to the right side. If the Carriage is on the left, an error message may appear on the touch screen when you turn on the printer.

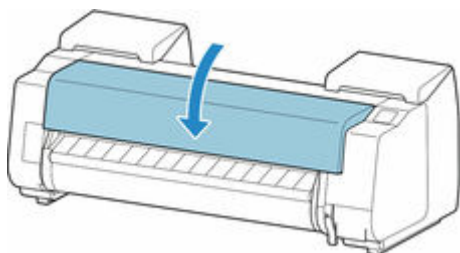
7. Hold the leading edge of the roll paper in the middle and pull it gently and evenly until it reaches the output guide (A) position. At this time, align the right edge of the roll paper parallel to the paper alignment line (B). When the paper is parallel to the line, lower the release lever.



**»» Important**

- Align the roll paper with the paper alignment line (B) and make sure to keep the paper tension.
- Do not pull the roll paper forcefully. This might cause the roll paper to feed at an angle.

8. Close the top cover.



9. Turn on the power to the printer.

➔ [Turning the Printer On and Off](#)

The roll is advanced and the printer is ready to print.

### »» Note

- To trim the leading edge cleanly, select the paper being fed on the touch screen, and then cut the leading edge by selecting **Cut paper** in **Feed/cut**.

➔ [Specifying the Cutting Method for Rolls](#)



## Remove a Jammed Sheet

---

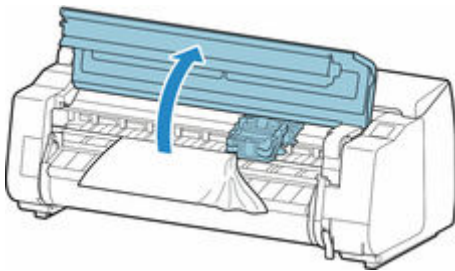


If a sheet jams, follow the steps below to remove it.

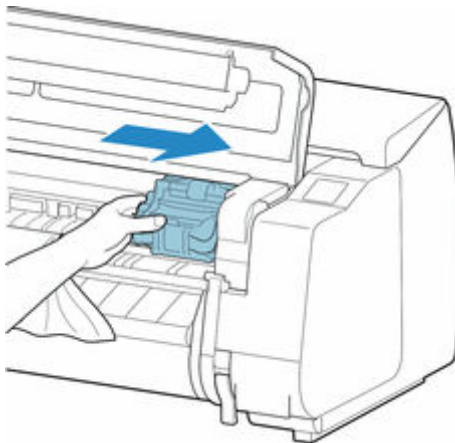
1. Turn off the power to the printer.

➔ [Turning the Printer On and Off](#)

2. Open the top cover.

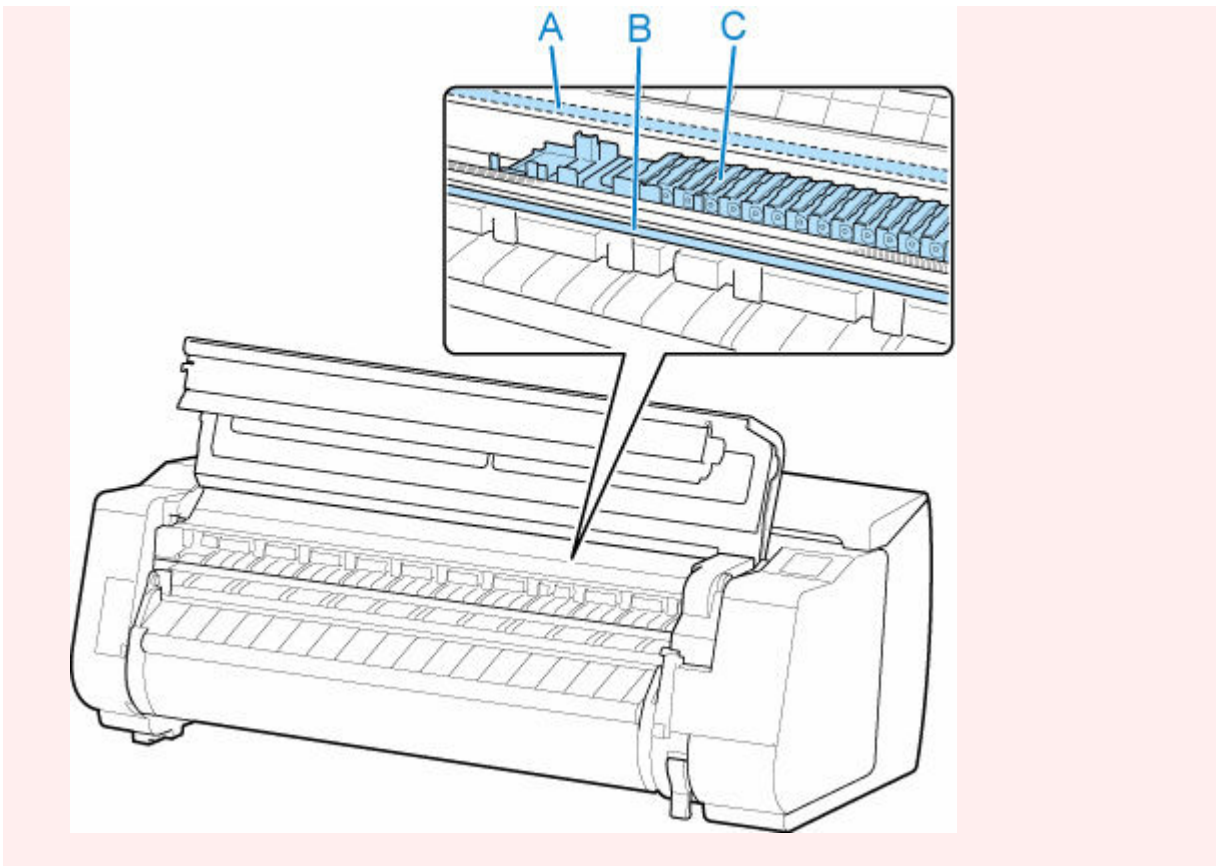


3. If the Carriage is out, move the Carriage to the left or right side, away from the jammed paper.

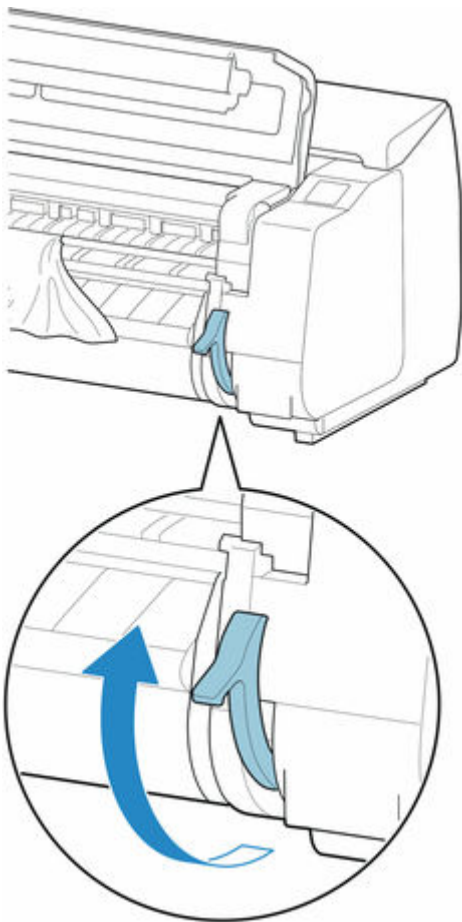


### ▶▶▶ Important

- Do not touch the linear scale (A), carriage shaft (B), or ink tube stabilizer (C). Touching these may cause malfunction.

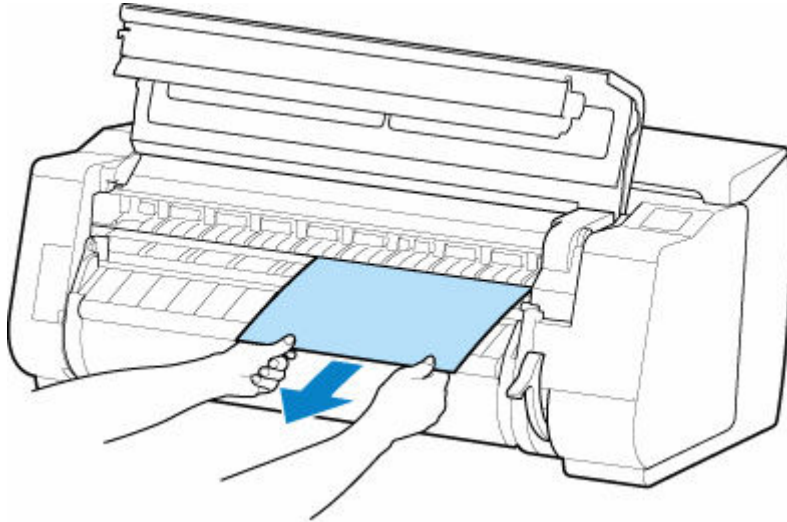


4. Lift up the release lever.



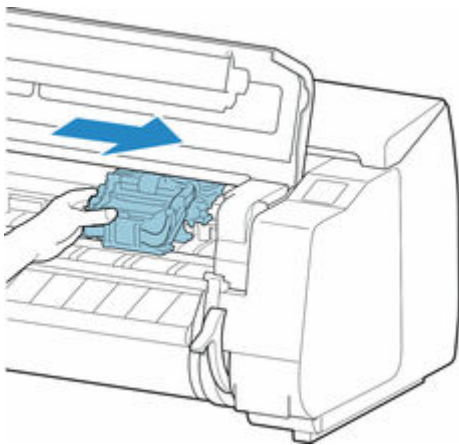


5. Hold the paper and pull it out toward the front.



After removing the paper, inspect the interior to ensure paper fragments or other objects do not remain.

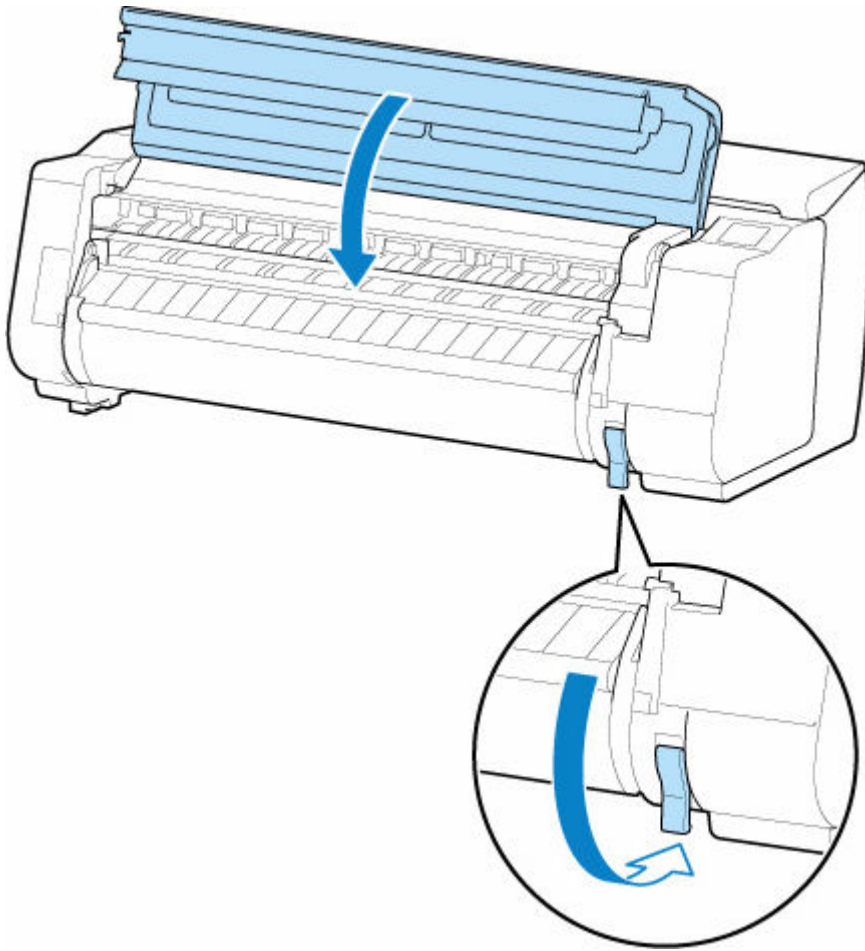
6. If the Carriage is on the left, move the Carriage to the right until it stops.



**»» Important**

- Always move the Carriage to the right side. If the Carriage is on the left, an error message may appear on the touch screen when you turn on the printer.

7. Lower the release lever and close the top cover.



8. Turn on the power to the printer.
  - ➔ [Turning the Printer On and Off](#)



## Roll paper cannot be inserted into the Paper Feed Slot

---



**Check 1** Is the roll paper curled?

Straighten out curls and reload the roll.

**Check 2** Is paper jammed in the feed slot?

Remove the jammed paper.

- ➔ [Remove Jammed Roll Paper](#)
- ➔ [Remove a Jammed Sheet](#)

### ▶▶▶ Note

- You cannot load a roll paper and sheets on the printer at the same time.

**Check 3** Check that the correct paper source has been selected.

Tap Paper Setting Display in the touch screen menu, and then select the paper source.

**Check 4** Is the roll unit in **Take-up mode** when feeding from the roll unit?

Select **Roll unit use settings** in the touch screen menu, and set it to paper feed mode.

- ➔ [Switching Roll Unit Modes](#)



## Paper is not fed automatically



**Check 1** This paper cannot be fed automatically.

Set **Paper retention settings** to **Release** in the touch screen menu and feed the paper manually.

- ➔ [Menu Structure](#)
- ➔ [Loading the Upper Roll on the Printer](#)
- ➔ [Loading the Lower Roll on the Roll Unit \(Option\)](#)

### ▶▶▶ Note

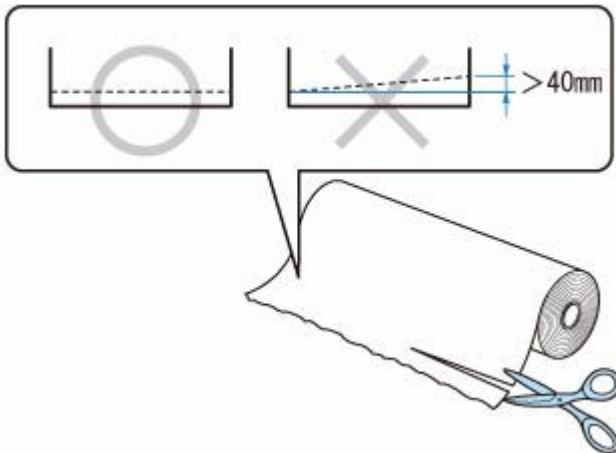
- While this setting is selected, you cannot use automatic roll paper switching.

**Check 2** Are you using an old roll holder?

Be sure to use the roll holder supplied with the printer.

**Check 3** The leading edge of the roll paper may not be cut properly.

If the leading edge of the roll paper is slanted or folded, the paper may not be fed correctly. Cut the leading edge with scissors to straighten it. If the roll paper has a barcode printed on it, be careful not to cut the barcode part.





## Roll Paper Is not Switched Automatically

---



When using certain paper types and widths under certain temperature and humidity conditions, roll paper auto switching may not be possible.

Set **Paper retention settings** to **Release** in the touch screen menu and feed the paper manually.

- ➔ [Menu Structure](#)
- ➔ [Loading the Upper Roll on the Printer](#)
- ➔ [Loading the Lower Roll on the Roll Unit \(Option\)](#)

### ▶▶▶ Note

- Roll paper cannot be fed or switched automatically until you change this setting.

If the roll cannot be switched at the end, make sure **Switch roll paper when low** is set to **Enable**.

- ➔ [Paper Source Does Not Switch When Roll Paper Is Used Up](#)



## Roll Paper Is not Fed Automatically

---



**Check 1** Check the paper settings.

Select **Enable** for **Roll paper auto feed** on **Paper-related settings**.

➔ [Paper-related settings](#)

**Check 2** Check the setting for **Paper retention settings**.

Select **While feeding** for **Paper retention settings** on **Paper-related settings**.

➔ [Paper-related settings](#)

**Check 3** Make sure automatic paper feed can be used for the roll you are using.

Refer to "Paper Setting List(Roll Paper)" to make sure automatic paper feed can be used for the roll you are using.

➔ Paper Information List

**Check 4** Make sure the roll is being fed.

If not, feed the roll manually.

➔ [Loading the Upper Roll on the Printer](#)

➔ [Loading the Lower Roll on the Roll Unit \(Option\)](#)

**Check 5** Make sure the paper width of the roll is 250 mm or more.

The auto feed function does not support paper with a width of less than 250 mm.

If you use the roll with paper width less than 250 mm, select **Disable** for **Roll paper auto feed** on **Paper-related settings** and feed paper manually.

➔ [Loading the Upper Roll on the Printer](#)

➔ [Loading the Lower Roll on the Roll Unit \(Option\)](#)

**Check 6** Are you using an old roll holder?

Be sure to use the roll holder supplied with the printer.

If the problem is not solved after trying Checks 1 to 6, select **Disable** for **Roll paper auto feed** and feed the paper manually.

➔ [Paper-related settings](#)



## Paper Source Does Not Switch When Roll Paper Is Used Up

---



**Check** Check the paper settings.

Check the following setting items on **Paper-related settings** and perform settings.

- Select **Enable** for **Switch roll paper when low**.
- Select **Barcodes** or **Auto estimate** for **Manage remaining roll amount**.
- Select **While feeding** for **Paper retention settings**.

➔ [Paper-related settings](#)



## Roll Paper Remains/Lacks under Quantity Management

---



### Check 1 Is the remaining amount of loaded roll paper set correctly?

If all the following three conditions are met, you can specify the remaining amount of the loaded roll paper manually when you load it.

- **Barcodes** is selected for **Manage remaining roll amount**.
- **Enable** is selected for **Roll paper auto feed**.
- **Auto detect** or **Use current media type** is selected for **Media type selection method**.

You must specify the remaining amount of roll within about five seconds. If you do not, the roll length specified on **Advanced paper settings** is regarded as the default value.

The difference between the value and actual length of loaded roll paper makes the remaining amount large or small.

### Check 2 Check the setting of **Manage remaining roll amount**.

- If **Barcodes** is selected for **Manage remaining roll amount**:
  1. Enter **Length of roll paper 1** and **Length of roll paper 2**, and then tap **OK**.
  2. Select the timing of warning messages from **Roll unit use settings**.
- If **Auto estimate** is selected for **Manage remaining roll amount**:

Make sure the media type is configured correctly.

Make sure **Paper core outer diameter** and **Paper thickness** are configured correctly for **Advanced paper settings**.

#### ▶▶▶ Note

- Paper core outer diameter and Paper thickness must be set correctly for auto estimation to be accurate.
- Contact the media manufacturer for paper core outer diameter and paper thickness.
- For pre-registered paper, the paper core outer diameter and paper thickness are set, but they may be changed at the convenience of the media manufacturer.
- If you want to use paper that is not displayed in the paper information list, set the paper thickness and paper core outer diameter in the Media Configuration Tool.
  - ➡ Media Configuration Tool Guide

➡ [Paper-related settings](#)





## Cannot load sheets

---



**Check** Check that the correct paper source has been selected

Tap Paper Settings Display area in the touch screen menu, and then select the paper source.

Select **Load paper** and load the paper.

➔ [Loading Sheets in the Printer](#)



## Paper is not cut straight

---



**Check 1** Is the edge of the paper cutting position creased?

Straighten out any curling by the edges of the paper.

**Check 2** Is the edge of the paper cutting position lifting up when cutting?

Reload the paper correctly.

**Check 3** Is the paper a type that can be cut with the cutter blade?

Set **Cutting mode** in the touch screen menu to **User cut**, then and cut the roll paper with a cutting implement such as scissors.

➔ [Specifying the Cutting Method for Rolls](#)

**Check 4** Are you using the basket properly?

Make sure that you are using the basket properly.

➔ [Using the Basket](#)

**Check 5** Check that the **Cut speed** setting is correct.

Tap paper settings display area on Home screen of touch screen, tap the feed slot where the paper to change is set, then tap **Paper settings** > **Advanced** and, change the setting value of **Cut speed**.

If the paper edge cannot be cut straight at the cut starting position, it may be improved by selecting slower cut speed than that selected currently.

If the paper edge cannot be cut straight at the cut ending position, it may be improved by selecting faster cut speed than that selected currently.

➔ [Menu Structure](#)

**Check 6** Did the printing material slip diagonally while being cut?

Set the **Cutting mode** in the touch screen menu to **Eject cut**, and then hold and cut the material after it has printed.

➔ [Specifying the Cutting Method for Rolls](#)

**Check 7** Is the cutter blade attached properly?

Attach the cutter blade properly.

➔ [Replacing the Cutter Blade](#)

**Check 8** Is the edge of the cutter blade blunt?

Replace the cutter blade.

➔ [Replacing the Cutter Blade](#)

**Check 9** Are you printing on Large-Format?

Change the position of the basket.

➔ [Printing on Large-Format or Easily Damaged Paper \(Position 3\)](#)



## Paper is not cut

---



### Check 1 Is **Automatic Cutting** in the printer driver set to **No** or **Print Cut Guideline**?

Set the printer driver **Automatic Cutting** setting to **Yes**.

- ➔ Page Setup Tab Description (Windows)
- ➔ [Quality & Media](#) (macOS)

### Check 2 Is **Cutting mode** in the touch screen menu set to **Eject cut** or **User cut**?

If **Cutting mode** is set to **Eject cut**, select **Feed/cut** in the touch screen menu and cut the paper.

If **Cutting mode** is set to **User cut**, cut the roll paper with a cutting implement such as scissors.

- ➔ [Specifying the Cutting Method for Rolls](#)

### Check 3 Is the cutter blade attached?

Attach the cutter blade.

- ➔ [Replacing the Cutter Blade](#)

### Check 4 Is the cutting method for paper ejected after printing set to **Do not cut** when the roll unit is set to **Take-up mode**?

Follow the steps below to change the settings.

1. Select the roll unit on the touch screen.
2. Select **Use in take-up mode**, and then select **Use the cutting mode setting**.
3. Set the **Cutting mode** for **Roll paper 1** on the touch screen to **Automatic cut**.



## Cutter Blade Does Not Work While Cutting Is in Progress

---



### Check 1 Does a message appear on the touch screen?

If the cutter blade failed to cut the paper, it stops moving and a message appears on the touch screen.

Remove the paper and try printing again.

➔ [Remove Jammed Roll Paper](#)

### Check 2 Make sure the cutter blade can cut paper used currently.

Select **User cut** for **Cutting mode** in the touch screen menu and cut the roll paper with a cutting implement such as scissors.

➔ [Specifying the Cutting Method for Rolls](#)

### Check 3 Check the setting value for **Cut speed**.

Selecting slower value may enable the cutter blade to cut paper.

Tap paper settings display area on Home screen of touch screen, tap the feed slot where the paper to change is set, then tap **Paper settings** > **Advanced** and, change the setting value of **Cut speed**.

➔ [Menu Structure](#)

➔ [Paper-related settings](#)

### Check 4 Is the edge of the cutter blade blunt?

Replace the cutter blade.

➔ [Replacing the Cutter Blade](#)



## The size of clear film cannot be detected

---



**Check** Is the platen dirty with ink?

Open the top cover and clean the entire platen area.

➔ [Cleaning Inside the Top Cover](#)



## Margins are wide

---



**Check 1** Is auto cut being used on printed material with a wide margin on the trailing edge only?

Rolls are advanced a specific amount before cutting to prevent problems with cutting and paper ejection.

This operation is normal.

The specified length varies depending on the media type and the usage environment (humidity). Please refer to the minimum printing length of the paper from paper information list.

If the length of the printed document is shorter than the minimum cut length, an extra edge margin will be added to increase the length of the printed document to the minimum cut length.

➔ [Paper Information List \(Rolls\)](#)

**Check 2** Is leading edge detection set to **Do not detect**?

**Do not detect** may have been set by responding to the message **Do you want to set to detect the leading edge of the paper?** when **Cutting mode** was set to **User cut** in the touch screen menu.

If the message **Do you want to set to detect the leading edge of the paper?** appears when setting **Cutting mode** to **User cut**, select **Detect (recommended)**.

Please note that if **Detect (recommended)** is selected and the paper has a strong curl, the Print head may rub against the edge of the paper when printing starts.

➔ [Specifying the Cutting Method for Rolls](#)



## When printing on roll paper, the printed surface becomes scratched

---



**Check 1** Depending on the paper, the printed surface may become scratched when the paper is fed.

In this case, you must set **Paper retention settings** to **Release** on the touch screen, and then manually feed the paper. Lift the release lever, feed the roll paper until the leading edge is visible on the platen, lower the release lever, and then proceed to the next step.

If **Paper retention settings** is set to **Release**, you will no longer be able to automatically switch between the upper and lower roll paper.

**Check 2** Has the roll paper lost tension during printing?

If the roll paper loses tension, the paper surface could be damaged and the paper could wrinkle or fold.

Set **Roll paper tension (printing)** in the touch screen menu to **High**.

➔ [Menu Structure](#)

### ▶▶▶ Note

- Carrying out **Adjust print quality** is recommended when changing **Roll paper tension (printing)** settings.



## **Printing Does Not Start**

---

- **Printer Suddenly Stopped Working for Some Reason**
- **The Data lamp on the Operation Panel does not light up**
- **The printer does not respond even if print jobs are sent**
- **"Preparing the ink system." is displayed**
- **"Agitating the ink" is displayed**
- **Message Is Displayed and Borderless Printing Fails**

## Printer Suddenly Stopped Working for Some Reason

---

- ➔ [Cannot Connect to a Printer after Network Configuration Changes](#)
- ➔ [Cannot Connect to a Printer via Wi-Fi](#)
- ➔ [Cannot Connect to a Printer through Wireless Direct](#)
- ➔ [Cannot Connect to a Printer via Wired LAN](#)
- ➔ [Cannot Print through Network](#)

### **Cannot Connect to a Printer after Network Configuration Changes**

---

#### **A**

It may take a while for the computer to obtain an IP address, or you may need to restart your computer. Make sure the computer has obtained a valid IP address, and try again to find the printer.

### **Cannot Connect to a Printer via Wi-Fi**

---

#### **A**

**Check 1** Check the power status of printer and devices (e.g. wireless router or computer) connected to the network.

Turn on the printer or devices.

If the power is already turned on, turn it off and on again.

It may be necessary to resolve wireless router problems (e.g. update interval of a key, problems of DHCP update interval, energy saving mode, etc.) or to update the wireless router firmware.

For details, contact the manufacturer of your wireless router.

**Check 2** Can you view any web pages on your computer?

Make sure your computer is connected to the wireless router properly.

For more on checking computer settings or connection status, see the instruction manual supplied with the computer or contact the manufacturer.

**Check 3** Is the printer connected to the wireless router?

Use the icon on the touch screen to check the connection status between the printer and wireless router. If the



icon is not displayed, Wi-Fi is disabled. Turn on wireless communication on the printer.

**Check 4** Make sure the printer and wireless router network settings match.

Make sure the network settings of the printer (e.g. wireless router name, SSID, network key, etc.) are identical with those of the wireless router.

To check the settings of the wireless router, refer to the instruction manual provided with it or contact its manufacturer.

To check the current network settings of the printer, print out the network setting information.

➡ [Printing Network Settings](#)

### ➤➤➤ Note

- IJ Network Device Setup Utility allows you to diagnose and repair the network status.

Select the link below to download IJ Network Device Setup Utility and install it.

➡ [Checking Printer Connection Status Using IJ Network Device Setup Utility](#)

### Check 5 Make sure the printer is not placed too far away from the wireless router.

If the distance between the printer and wireless router is too far, wireless communication becomes poor. Place the printer and wireless router close to each other.

### ➤➤➤ Note

- Though an antenna is attached to most wireless routers, note that some of them have it inside.

### Check 6 Make sure wireless signal is strong. Monitor signal status and move printer and wireless router as necessary.

Place the printer and wireless router where there are no obstacles between them. Wireless communication between different rooms or floors is generally poor. Wireless communication can be impeded by building materials containing metal or concrete. If the printer cannot communicate with the computer over a Wi-Fi due to a wall, place the printer and the computer in the same room.

In addition, if a device like a microwave oven that emits radio waves of the same frequency bandwidth as a wireless router is nearby, it may cause interference. Place the wireless router as far away from interference sources as possible.

### ➤➤➤ Note

- IJ Network Device Setup Utility allows you to diagnose and repair the network status.

Select the link below to download IJ Network Device Setup Utility and install it.

➡ [Checking Printer Connection Status Using IJ Network Device Setup Utility](#)

### Check 7 Make sure of the Wi-Fi channel numbers used for your computer.

You need to have the same Wi-Fi channel number that you are using for the wireless router as your computer. It is normally set in the way that you can use all the Wi-Fi channels. However, when the channels that you are using are restricted, the Wi-Fi channels do not match.

See the instruction manual provided with your computer and check the Wi-Fi channel number available for your computer.

### Check 8 Make sure channel set on wireless router is a usable channel as confirmed in Check 7.

If it is not, change the channel set on the wireless router.

**Check 9** Make sure security software's firewall is off.

If your security software's firewall is on, a message may appear warning you that Canon software is attempting to access the network. If this warning message appears, set security software to always allow access.

If you are using any programs that switch between network environments, check their settings.

**Check 10** If printer is connected to an AirPort Base Station via LAN, make sure you use alphanumeric characters for network identifier (SSID). (macOS)

**If the problem is not resolved, redo setup.**

- For Windows:  
Perform setup using the Setup CD-ROM or from Setup Guide.
- For macOS:  
Perform setup from Setup Guide.

## **Cannot Connect to a Printer through Wireless Direct**

---

### 

**Check 1** Check the power status of printer and other devices (smartphone or tablet).

Turn on the printer or devices.

If the power is already turned on, turn it off and on again.

**Check 2** Is the  icon displayed on the touch screen?

If not, Wireless Direct is disabled. Turn on Wireless Direct.

**Check 3** Check the settings of your device (smartphone/tablet).

Make sure Wi-Fi is enabled on your device.

For details, refer to your device's instruction manual.

**Check 4** Make sure printer is selected as connection for device (e.g. smartphone or tablet).

Select the identifier for Wireless Direct (SSID) specified for the printer as the connection destination for devices.

Check the destination on your device.

For details, refer to your device's instruction manual or visit the manufacturer's website.

To check the identifier for wireless direct (SSID) specified for the printer, display it using the operation panel of the printer or print out the network setting information of the printer.

- Display on the touch screen.

➔ [LAN settings](#)

- Print the network settings.

➔ [Printing Network Settings](#)

#### Check 5 Have you entered the proper password specified for the Wireless Direct?

To check the password specified for the printer, display it using the operation panel of the printer or print out the network setting information of the printer.

- Display on the touch screen.

➔ [LAN settings](#)

- Print the network settings.

➔ [Printing Network Settings](#)

#### Check 6 Make sure the printer is not placed too far away from the device.

If the distance between the printer and device is too far, wireless communication becomes poor. Place the printer and device close to each other.

#### Check 7 Make sure 5 devices are already connected.

Wireless Direct does not allow more than 5 devices to be connected.

## Cannot Connect to a Printer via Wired LAN

---

### 

#### Check 1 Make sure the printer is turned on.

#### Check 2 Make sure the LAN cable is connected properly.

Make sure the printer is connected to the router with the LAN cable. If the LAN cable is loose, connect the cable properly.

If the LAN cable is connected to the WAN side of the router, connect the cable to the LAN side of the router.

#### **If the problem is not resolved, redo setup.**

- For Windows:

Perform setup using the Setup CD-ROM or from Setup Guide.

- For macOS:

Perform setup from Setup Guide.

## **Cannot Print through Network**

---

### 

**Check 1** Make sure the computer is connected to the wireless router.

For more on how to check the computer settings or connection status, see your computer instruction manual or contact its manufacturer.

**Check 2** If the printer driver is not installed, install it. (Windows)

Install the printer driver using the Setup CD-ROM or install it from [here](#).

**Check 3** When using Wi-Fi, make sure wireless router does not restrict which computers can access it.

For more on connecting to and setting up your wireless router, see the wireless router instruction manual or contact its manufacturer.



## The Data lamp on the Operation Panel does not light up

---



### Check 1 Does the printer have power?

Check that the power cord is firmly plugged all the way in. Turn on the power to the printer.

### Check 2 Was the correct printer selected?

In Windows, select the printer by clicking **Select Printer** or **Printer** in the printing dialog box and try printing again.

In macOS, open the dialog box of the printer driver, select the printer from the list of **Printer**, and try printing again.

### Check 3 Is the print job paused?

In Windows, restart the print job as follows.

1. Select the printer icon in the **Devices and Printers** window.
2. Clear **Pause Printing** in the **Printer** menu to restart the print job.

In macOS, restart the print job as follows.

1. Click **Print & Scan** (or **Print & Fax**).
2. Select the printer, and then **Resume Printer** (or **Start Jobs**) in the **Printers** menu to restart the print job.



## The printer does not respond even if print jobs are sent

---



### Check 1 Is **Pause printing** set to **Enable**?

Set **Pause printing** on the touch screen menu to **Disable**.

➔ [Pausing Printing](#)

### Check 2 Is USB or LAN connection disabled?

- For USB connection:

Set **Use USB connection** on the touch screen menu to **Use**.

- For LAN connection (wired/Wi-Fi/Wireless Direct):

Set **Enable/disable Wired LAN**, **Enable/disable Wi-Fi**, or **Enable/disable Wireless Direct** on the touch screen menu to **Enable**.

#### ➤➤➤ **Note**

- You cannot enable wired LAN and Wi-Fi or Wireless Direct at the same time.

### Check 3 Is **Save to job box** selected as the printer **Output method**?

Print the job saved on the printer's hard disk.

➔ [Printing Saved Jobs](#)

### Check 4 Is the print job pending?

Manage the jobs on hold and print as needed.

➔ [Printing Pending Jobs](#)





## "Preparing the ink system." is displayed

---



The Print head and sub-ink tank are being filled with ink.

Wait until the system has been filled with ink.

### **»» Note**

- This message might appear if you force the power off while the printer is operating.  
Always follow the correct procedure when turning off the power.  
➔ [Turning the Printer On and Off](#)



## **"Agitating the ink" is displayed**

---



Ink agitation is in progress.

Please wait until ink agitation is finished.

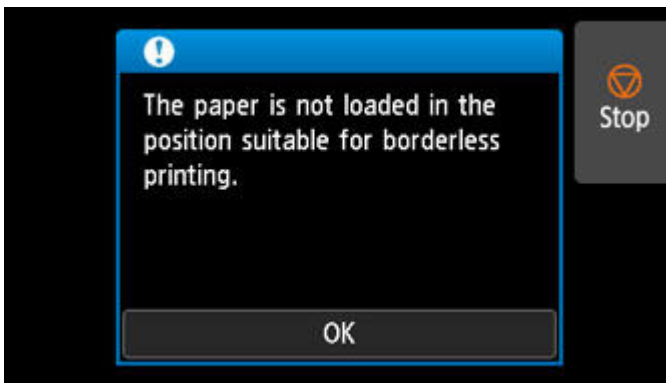
Agitation time varies depending on time elapsed since powering off (approximately 1 to 20 minutes).



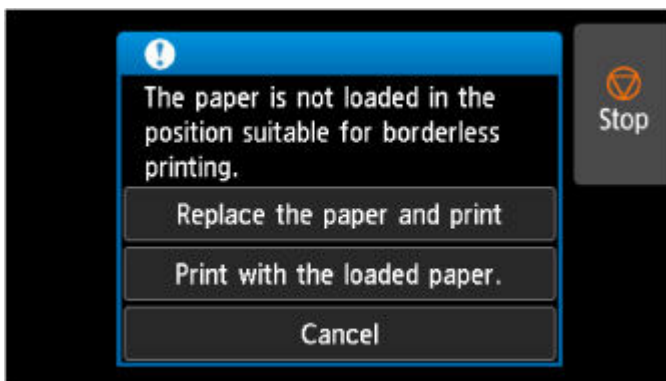
## Message Is Displayed and Borderless Printing Fails



For information on possible solutions, refer to the link for each messages.



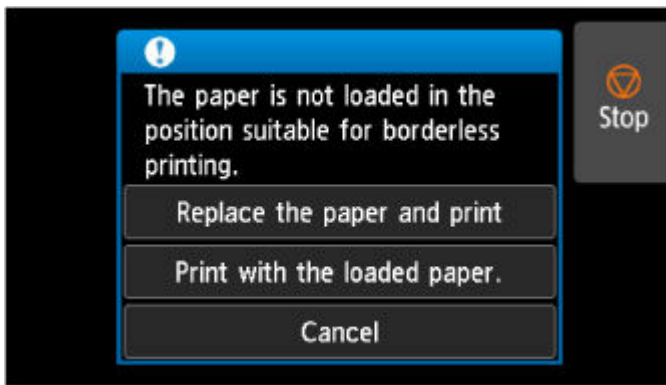
➔ [4114](#)



➔ [4116](#)



➔ [4121](#)



➔ [4913](#)

## **The Printer Stops During a Print Job**

---

- **Printing stops and an error message is displayed**
- **The printer ejects blank, unprinted paper**



## Printing stops and an error message is displayed

---



If the action indicated in the error message does not solve the problem, the roll paper may be stuck and not able to be advanced.

**Check 1** Is the loaded roll paper touching printer parts, etc.?

If the loaded roll paper is touching printer parts, load the roll paper again.

- ➔ [Removing the Upper Roll from the Printer](#)
- ➔ [Removing the Lower Roll from the Roll Unit \(Option\)](#)

**Check 2** Is the roll paper proper to use?

Check the outer diameter and paper thickness of the roll paper that can be used with your printer.

- ➔ [Paper Sizes](#)



## The printer ejects blank, unprinted paper

---



**Check 1** The leading edge of the roll paper may have been trimmed.

The leading edge of the roll paper may be trimmed if **Trim edge first** is not set to **Off** or **Manual** in the touch screen menu.

➔ [Cutting the Leading Edge of Roll Paper Automatically](#)

**Check 2** Is the Print head nozzle blocked?

Print a nozzle check pattern to check the Print head status.

➔ [Checking for Nozzle Clogging](#)

**Check 3** Is the correct printer driver selected?

Print again using the correct printer driver for your printer.

If none of the above apply, there may be a printer malfunction.

Contact your Canon dealer for assistance.

## **Problems with the Printing Quality**

---

- **Printing is faint**
- **Paper rubs against the Print Head**
- **The edges of the paper are dirty**
- **The surface of the paper is dirty**
- **The back side of the paper is dirty**
- **Immediately after borderless printing, the trailing edge margin is soiled during regular printing**
- **Printed colors are inaccurate**
- **Banding in different colors occurs**
- **Colors in printed images are uneven**
- **Image edges are blurred or white banding occurs**
- **The length of the printed image in the paper ejection direction is not accurate**
- **Images are printed crooked**
- **Documents are printed in monochrome**
- **Line thickness is not uniform**
- **Lines or colors are misaligned**
- **Borders appear in borderless printing**





## Printing is faint



**Check 1** Is the reverse side of the paper being used for printing?

Print on the printing surface.

**Check 2** Is the Print head nozzle blocked?

Print a test pattern to check the nozzles and see if they are clogged.

➔ [Checking for Nozzle Clogging](#)

### ▶▶▶ Note

- To automatically check for nozzle blockages after printing, set **Auto nozzle check** in the touch screen menu to a setting other than **Disable**.

To show warnings based on nozzle check results, set **Nozzle check error display** in the touch screen menu to **Enable**.

However, printing may be stopped by warnings if this setting is set to **Enable**.

➔ [Menu Structure](#)

**Check 3** Was the printer left with the ink tank out?

The ink supply may become blocked by ink if the ink tank is left out.

If this happens, leave the printer for at least 24 hours with the ink tank in, and then carry out **Print Head Cleaning**.

➔ [Cleaning the Print Head](#)

**Check 4** Are paper scraps stuck in the top cover?

Remove any scraps of paper left inside the top cover.

➔ [Remove Jammed Roll Paper](#)

➔ [Remove a Jammed Sheet](#)

**Check 5** Was the paper cut before the ink dried?

Set a longer **Ink drying wait time** in **Advanced paper settings** in the touch screen menu.

➔ [Menu Structure](#)

**Check 6** Is the printer driver **Print Quality** set to a low quality setting?

Follow the steps below to set **Print Quality** to higher quality settings, and then print.

- Windows

Change the **Print Quality** settings in the printer driver **Advanced Settings**.

➔ [Changing the Print Quality and Correcting Image Data \(Windows\)](#)

- macOS

Change the **Print Quality** in the printer driver **Quality & Media** settings.

➔ [Changing the Print Quality and Correcting Image Data \(macOS\)](#)

**Check 7** Does the paper used for printing create a lot of cutting dust?

Set **Cut-dust reduction** in the touch screen menu **Advanced paper settings** to **ON**.

➔ [Reducing Dust from Cutting Rolls](#)



## Paper rubs against the Print Head



**Check 1** Is the media type specified in the printer driver the same as the media type loaded in the printer?

When printing with the media type specified in the printer driver, load the specified media type in the printer.

- ➔ [Loading the Upper Roll on the Printer](#)
- ➔ [Loading the Lower Roll on the Roll Unit \(Option\)](#)
- ➔ [Loading Sheets in the Printer](#)

When printing with the media type loaded in the printer, specify the same media type in the printer driver.

1. To stop printing, tap the **Stop**.
2. Change the paper type in the printer driver and try printing again.

### ▶▶▶ Note

- When **Auto (Use Printer Settings)** is selected for the media type, printing is performed with the media type loaded in the printer.
- Click **Get Information** to reflect the paper information set in the printer to the printer driver.
  - ➔ Printing with Easy Setup

**Check 2** When loading paper in the printer, is the media loaded the same as the media type selected on the touch screen?

Select the correct media type in the touch screen menu when loading paper in the printer.

- ➔ [Loading the Upper Roll on the Printer](#)
- ➔ [Loading the Lower Roll on the Roll Unit \(Option\)](#)
- ➔ [Loading Sheets in the Printer](#)

### Check 3 Is the paper loaded properly?

If not loaded properly, paper can buckle and rub against the Print head.

Reload the paper.

- ➔ [Loading the Upper Roll on the Printer](#)
- ➔ [Loading the Lower Roll on the Roll Unit \(Option\)](#)
- ➔ [Loading Sheets in the Printer](#)

### Check 4 Is the Print head height set too low?

Set **Head height** in the touch screen menu to the value higher than the current one.

- ➔ [Troubleshooting Paper Abrasion and Blurry Images](#)

### Check 5 Is the paper thick, or a type that curls easily or is prone to buckling after absorbing ink?

If using paper-based printing material such as Heavyweight Coated Paper, set **Transport unit vacuum strength** in the touch screen menu to **Medium-strong** or **Strong**.

If that does not resolve the problem, increase the **Head height** setting in the touch screen menu.

- ➔ [Adjusting Vacuum Strength](#)
- ➔ [Troubleshooting Paper Abrasion and Blurry Images](#)

If using film-based printing material such as CAD Tracing Paper, set the **Transport unit vacuum strength** in the touch screen menu to **Standard**, **Medium-strong**, or **Strong**.

If that does not resolve the problem, increase the **Head height** setting in the touch screen menu.

- ➔ [Adjusting Vacuum Strength](#)
- ➔ [Troubleshooting Paper Abrasion and Blurry Images](#)

If using paper thinner than 0.004 inches (0.1 mm), set **Transport unit vacuum strength** in the touch screen menu to **Weak**.

If that does not resolve the problem, increase the **Head height** setting in the touch screen menu.

- ➔ [Adjusting Vacuum Strength](#)
- ➔ [Troubleshooting Paper Abrasion and Blurry Images](#)

### Check 6 Does the paper have a strong curl at the front edge or is it buckled?

Set **Cutting mode** in the touch screen menu to **User cut**, and set leading edge detection to **Do not detect**.

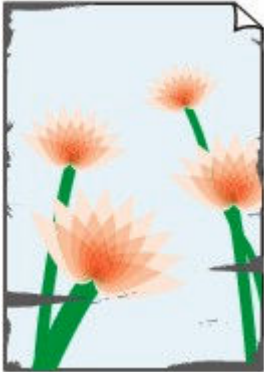
To keep track of the amount of roll paper remaining, set **Manage remaining roll amount** to **Auto estimate** or **Disable** before loading the roll paper, and then restore the setting of **Manage remaining roll amount** to **Auto estimate** or **Barcodes** after the roll paper is loaded.

In addition, set **Media type selection method** to **Manual** or **Use current media type**.

- ➔ [Specifying the Cutting Method for Rolls](#)
- ➔ [Keeping Track of the Amount of Roll Paper Left](#)



## The edges of the paper are dirty



### Check 1 Was printing borderless or on small paper?

The platen may become dirtied by borderless printing or on small paper sizes.

Open the top cover and clean the platen.

➔ [Cleaning Inside the Top Cover](#)

### Check 2 Is **Extension for borderless printing** set to a large value?

The platen may become dirtied by setting a large amount of extension.

Reduce the value of **Extension for borderless printing**.

➔ [Specifying the Amount of Extension for Borderless Printing](#)

### Check 3 Is the media type specified in the printer driver the same as the media type in the printer?

When printing with the media type specified in the printer driver, load the specified media type in the printer.

➔ [Loading the Upper Roll on the Printer](#)

➔ [Loading the Lower Roll on the Roll Unit \(Option\)](#)

➔ [Loading Sheets in the Printer](#)

When printing with the media type loaded in the printer, specify the same media type in the printer driver.

1. To stop printing, tap the **Stop**.
2. Change the type of paper in the printer driver and try printing again.

### ▶▶▶ Note

- When **Auto (Use Printer Settings)** is selected for the media type, printing is performed with the media type loaded in the printer.

- Click **Get Information** to reflect the paper information set in the printer to the printer driver.
  - ➔ [Printing with Easy Setup](#)

**Check 4** When loading paper in the printer, is the media loaded the same as the media type selected on the touch screen?

Select the correct media type in the touch screen menu when loading paper in the printer.

- ➔ [Loading the Upper Roll on the Printer](#)
- ➔ [Loading the Lower Roll on the Roll Unit \(Option\)](#)
- ➔ [Loading Sheets in the Printer](#)

**Check 5** Is the paper creased or curled?

Straighten out the wrinkles or curls and reload the paper.

- ➔ [Loading the Upper Roll on the Printer](#)
- ➔ [Loading the Lower Roll on the Roll Unit \(Option\)](#)
- ➔ [Loading Sheets in the Printer](#)

**Check 6** Is **Cut-dust reduction** in the touch screen menu **Advanced paper settings** set to **ON**?

A cut dust reduction line is printed at the paper cut position when **Cut-dust reduction** is set to **ON**.

If cutting dust reduction is not required, set **Cut-dust reduction** to **OFF**.

- ➔ [Menu Structure](#)

**Check 7** Is the Print head height set too low in the touch screen menu?

Set **Head height** to the value higher than the current one.

- ➔ [Troubleshooting Paper Abrasion and Blurry Images](#)

**Check 8** Is the paper thick, or a type that curls easily or is prone to buckling after absorbing ink?

If using paper-based printing material such as thick-coat paper, set **Transport unit vacuum strength** in the touch screen menu to **Medium-strong** or **Strong**.

If that does not resolve the problem, increase the **Head height** setting in the touch screen menu.

- ➔ [Adjusting Vacuum Strength](#)
- ➔ [Troubleshooting Paper Abrasion and Blurry Images](#)

If using film-based printing material such as tracing paper, set the **Transport unit vacuum strength** in the touch screen menu to **Standard**, **Medium-strong**, or **Strong**.

If that does not resolve the problem, increase the **Head height** setting in the touch screen menu.

- ➔ [Adjusting Vacuum Strength](#)
- ➔ [Troubleshooting Paper Abrasion and Blurry Images](#)

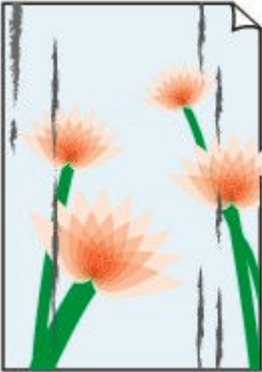
**Check 9** Is the output guide clean?

Clean the output guide.

➔ [Cleaning the Printer Exterior](#)



## The surface of the paper is dirty



### Check 1 Is the paper retainer clean?

Clean the paper retainer.

➔ [Cleaning Inside the Top Cover](#)

### Check 2 If using plain paper, is the media type set to **Plain papers**?

Set the media type to **PlainP(Quick-dry)** or **PlainP(Instant-dry)** for improved quick-drying.

➔ [Changing the Type of Paper](#)

### Check 3 Does this paper take longer to dry?

Increase the length of the **Pause between pages** and **Pause between scans** settings from the touch screen menu.

➔ [Menu Structure](#)

### ▶▶▶ Note

- When printing on paper that takes longer to dry, the paper may curl during printing and come in contact with the output tray.

In such situations, set an **Ink drying wait time** and an **Ink drying target area** for **Pause between scans** in the touch screen menu.

However, note that printing will now take longer.

➔ [Menu Structure](#)

### ▶▶▶ Note

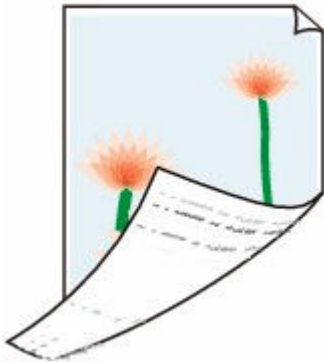
- In a hot and humid environment, rolling paper printed with images containing areas of saturated color may transfer ink to the contact surface, affecting print quality.



Move the printer to a different environment, or let the paper dry before rolling it.



## The back side of the paper is dirty



**Check 1** Was the previous print job borderless, or printed on small paper?

Open the top cover and clean the platen.

➔ [Cleaning Inside the Top Cover](#)

**Check 2** Is **Detect paper width** in the touch screen menu set to **Disable**?

Printing with **Detect paper width** set to **Disable** may cause the platen to be dirtied.

Set **Detect paper width** in the touch screen menu to **Enable**, and then open the top cover and clean the platen.

➔ [Cleaning Inside the Top Cover](#)

To continue printing with **Detect paper width** set to **Disable**, first open the top cover and clean the platen, and then manually feed roll paper over the platen when printing.

➔ [Cleaning Inside the Top Cover](#)

➔ [Feeding Roll Paper Manually](#)

**Check 3** Paper may be gripped weakly over the platen.

Set a higher **Transport unit vacuum strength** in the touch screen menu.

➔ [Adjusting Vacuum Strength](#)

**Check 4** Is the setting of **Extension for borderless printing** in the touch screen menu large?

The platen may become dirtied by setting a large amount of extension.

Reduce the setting of **Extension for borderless printing** in the touch screen menu to less than the current setting.

➔ [Menu Structure](#)

**Check 5** If using plain paper, is the media type set to **Plain papers**?

Set the media type to **PlainP(Quick-dry)** or **PlainP(Instant-dry)** for improved quick-drying.

➔ [Changing the Type of Paper](#)

#### Check 6 Does this paper take longer to dry?

Increase the length of the **Pause between pages** and **Pause between scans** settings from the touch screen menu.

➔ [Menu Structure](#)

#### ▶▶▶ Note

- When printing on paper that takes longer to dry, the paper may curl during printing and come in contact with the output tray.

In such situations, set an **Ink drying wait time** and an **Ink drying target area** for **Pause between scans** in the touch screen menu.

However, note that printing will now take longer.

➔ [Menu Structure](#)

#### ▶▶▶ Note

- If the platen is dirty, open the top cover and clean the platen.
- In a hot and humid environment, rolling paper printed with images containing areas of saturated color may transfer ink to the contact surface, affecting print quality.

Move the printer to a different environment, or let the paper dry before rolling it.



**Immediately after borderless printing, the trailing edge margin is soiled during regular printing**



In some situations, borderless printing with automatic cutting of the leading and trailing edges on roll paper may transfer ink on the cutter blade to the next item printed.

Follow the steps below to change **Between Pages** in **Drying Time** to between 30 seconds and 3 minutes and perform borderless printing.

- Windows

1. Click **Specify** for **Media Type** on the **Main** sheet of the printer driver.
2. Select an ink drying time from the **Between Pages** list in **Drying Time**.

- macOS

Select an ink drying time from the **Drying Time** list on the **Advanced Paper Settings** sheet of the printer driver.



## Printed colors are inaccurate



### Check 1 Is the Print head nozzle blocked?

Print a test pattern to check the nozzles and see if they are clogged.

➔ [Checking for Nozzle Clogging](#)

### Check 2 Has color been adjusted in the printer driver?

Follow the steps below to adjust color settings.

- Windows

Adjust the color settings with **Color Mode > Color Settings** in **Advanced Settings** in the printer driver.

➔ [Main Tab Description \(Windows\)](#)

- macOS

Adjust the color settings in the printer driver **Color Options**.

➔ [Color Options \(macOS\)](#)

### Check 3 Is **Application Color Matching Priority** set to **Off** in a Windows printer driver?

In the printer driver **Layout** sheet, click **Special Settings**, and then set **Application Color Matching Priority** to **On** in the dialog box that appears.

➔ [Layout Tab Description \(Windows\)](#)

### Check 4 Has the computer or monitor color been adjusted?

Take the actions below.

- Refer to the computer and monitor documentation to adjust the colors.

- Adjust the settings of the color management software, referring to the software documentation as needed.

#### Check 5 Has the Print head been replaced?

Differences between one Print head and another may result in a change in color after replacing the Print head.

Execute color calibration.

➔ [Performing Color Calibration](#)

#### Check 6 The Print head characteristics may have changed.

The characteristics of a Print head may change with repeated use, including color.

Execute color calibration.

➔ [Performing Color Calibration](#)

Check 7 Color varies even between printers of the same model due to differences in firmware and printer driver versions, settings, or environment.

Follow these steps to prepare the printing environment.

1. Use the same version of firmware or printer driver.
2. Specify the same value for all settings items.
3. Execute color calibration.

➔ [Performing Color Calibration](#)

Check 8 Did you make a different selection in Select Your Place of Residence in the Media Configuration Tool when reinstalling the printer driver?

Changing the region selection of the Media Configuration Tool deletes the region-specific paper information originally registered on the printer before installation. Using paper with deleted information when executing color calibration will prevent the resulting calibration adjustment value from being applied to all other types of the paper.

Prepare paper compatible with calibration in the newly selected region and perform calibration again.

➔ [Performing Color Calibration](#)



## Banding in different colors occurs



### Check 1 Make sure that the Print head nozzle is not blocked

Print a test pattern to check the nozzles and see if they are clogged.

➔ [Checking for Nozzle Clogging](#)

### ▶▶▶ Note

- To automatically check for nozzle blockages after printing, set **Auto nozzle check** in the touch screen menu to a setting other than **Disable**.

To show warnings based on nozzle check results, set **Nozzle check error display** in the touch screen menu to **Enable**.

However, printing may be stopped by warnings if this setting is set to **Enable**.

➔ [Menu Structure](#)

### Check 2 Is the media type specified in the printer driver the same as the media type loaded in the printer?

When printing with the media type specified in the printer driver, load the specified media type in the printer.

- ➔ [Loading the Upper Roll on the Printer](#)
- ➔ [Loading the Lower Roll on the Roll Unit \(Option\)](#)
- ➔ [Loading Sheets in the Printer](#)

When printing with the media type loaded in the printer, specify the same media type in the printer driver.

1. To stop printing, tap the **Stop**.
2. Change the type of paper in the printer driver and try printing again.

## ▶▶▶ Note

- When **Auto (Use Printer Settings)** is selected for the media type, printing is performed with the media type loaded in the printer.
- Click **Get Information** to reflect the paper information set in the printer to the printer driver.
  - ➔ Printing with Easy Setup

### Check 3 Does the paper loaded on the printer match the media type selected on the touch screen?

Select the correct media type in the touch screen menu when loading paper in the printer.

- ➔ [Loading the Upper Roll on the Printer](#)
- ➔ [Loading the Lower Roll on the Roll Unit \(Option\)](#)
- ➔ [Loading Sheets in the Printer](#)

### Check 4 Has the paper feed rate been calibrated properly?

Adjust the feed amount.

- ➔ [Adjusting Feed Amount](#)

### Check 5 Low **Print Quality** setting causing lines in the printing

Follow the steps below to set **Print Quality** to the highest quality setting, and then print.

- Windows  
Change the **Print Quality** settings in the printer driver **Advanced Settings**.
  - ➔ [Changing the Print Quality and Correcting Image Data \(Windows\)](#)
- macOS  
Change the **Print Quality** in the printer driver **Quality & Media** settings.
  - ➔ [Changing the Print Quality and Correcting Image Data \(macOS\)](#)

### Check 6 Is **Set priority** in the touch screen menu set to **Prioritize length accuracy**?

Setting **Set priority** to **Prioritize print quality** and adjusting the feed amount can help.

- ➔ [Adjusting Feed Amount](#)

### Check 7 Check if the Print head is in the right position

Adjust the Print head position.

- ➔ [Automatic Adjustment to Straighten Lines and Colors](#)

### Check 8 Print job may have been interrupted while receiving, and therefore not printed at a fast frame rate

Exit other applications and cancel other print jobs.

### Check 9 Make sure that lines are not printed around 100 mm from the paper edges.



If the printer is on standby or if you leave paper as it is for approximately over 30 minutes, paper may be curled or wrinkled.

Set **Sleep timer** on **Energy saving settings** to a value shorter than 30 minutes, so that you can prevent paper from being curled or wrinkled.

➔ [Other printer settings](#)



## Colors in printed images are uneven



**Check 1** Does the paper loaded on the printer match the media type selected in the printer driver?

When printing with the media type specified in the printer driver, load the specified media type in the printer.

- ➔ [Loading the Upper Roll on the Printer](#)
- ➔ [Loading the Lower Roll on the Roll Unit \(Option\)](#)
- ➔ [Loading Sheets in the Printer](#)

When printing with the media type specified in the printer driver, load the specified media type in the printer.

1. To stop printing, tap **Stop**.
2. Change the paper type in the printer driver and try printing again.

### ▶▶▶ Note

- When **Auto (Use Printer Settings)** is selected for the media type, printing is performed with the media type loaded in the printer.
- Click **Get Information** to reflect the paper information set in the printer to the printer driver.
  - ➔ Printing with Easy Setup

**Check 2** When loading paper in the printer, is the media loaded the same as the media type selected on the touch screen?

Select the correct media type in the touch screen menu when loading paper in the printer.

- ➔ [Loading the Upper Roll on the Printer](#)
- ➔ [Loading the Lower Roll on the Roll Unit \(Option\)](#)
- ➔ [Loading Sheets in the Printer](#)

### Check 3 Is the Print head position adjusted correctly?

Adjust the Print head position.

- ➔ [Automatic Adjustment to Straighten Lines and Colors](#)

### Check 4 Is the feed amount adjusted correctly?

Adjust feed amount.

- ➔ [Adjusting Feed Amount](#)

### Check 5 Colors in printed images may be uneven if the **Print Quality** setting is too low

If using Windows, select **Advanced Settings** from the **Main** tab of the printer driver, and then select a higher **Print Quality** setting.

If using macOS, select **Quality & Media** in the printer driver, and then select a higher **Print Quality** setting.

- ➔ Changing the Print Quality and Correcting Image Data (Windows)
- ➔ [Changing the Print Quality and Correcting Image Data](#) (macOS)

### Check 6 Colors in printed images may be uneven on the boundary between shades if there are dark and light areas in an image

Prints on the same page while switching between Bidirectional printing and Unidirectional printing. Therefore, color unevenness may occur when switching. Using the unidirectional printing function may reduce color unevenness in this situation.

Follow the steps below for unidirectional printing.

- Windows
  - Open **Paper Detailed Settings** from the **Main** tab of the printer driver, and then select **Unidirectional Printing**.
- macOS
  - Open **Advanced Paper Settings** in the printer driver, and then select **Unidirectional Printing**.

### Check 7 If printing borderless, colors in printed images may be a little uneven at the leading edge of the paper because printing is interrupted to cut the paper

Set the printer driver **Automatic Cutting** settings to **No**, and then print. Doing this prints only the left and right sides borderless. Cut the top and bottom borders with a cutting implement such as scissors after the printed materials are output and cut.

#### ➤➤➤ Note

- Selecting a higher **Print Quality** in the printer driver **Advanced Settings** may resolve the problem.
  - ➔ Changing the Print Quality and Correcting Image Data (Windows)
  - ➔ [Changing the Print Quality and Correcting Image Data](#) (macOS)

### Check 8 Does this paper curl easily?

Colors in printed images may be uneven at the leading edge of paper that curls easily. Change the **Transport unit vacuum strength** in the touch screen to increase the grip on the paper, or set a margin of at least 0.8 inches (20 mm) at the front edge of the paper.

➔ [Adjusting Vacuum Strength](#)

**Check 9** Color may be uneven if printing materials were stacked while drying

To avoid uneven colors, we recommend drying each sheet separately.

**Check 10** Is **Ink drying target area** for **Pause between scans** in the touch screen menu set to **Leading edge**?

If the **Ink drying target area** for **Pause between scans** is set to **Leading edge**, color may be uneven approximately 4.3 to 6.3 inches (110 to 160 mm) from the front edge of the paper. (The position depends on the **Print Quality** settings)

On the home screen of the touch screen, tap the paper setting display area, tap the paper feed slot where the paper whose settings to change is set, and then tap **Paper settings > Advanced > Pause between scans > Ink drying target area** and set to **Overall**.

However, note that printing will now take longer.

➔ [Menu Structure](#)

**Check 11** Make sure you are not printing cut sheet with AirPrint (macOS)

When you print cut sheets with AirPrint, uneven or streaked colors may occur at the trailing edge of the sheet. To print cut sheets with AirPrint, from the touch screen menu, tap **Printer settings > Paper-related settings > Keep margin at cut sheet end**.

➔ [Menu Structure](#)

### ▶▶▶ Note

- Set **Keep margin at cut sheet end** to **Enable** to increase the margin at the trailing edge of the sheet.



## Image edges are blurred or white banding occurs



**Check 1** Paper may be gripped too strongly over the platen.

Set a lower **Transport unit vacuum strength** in the touch screen menu.

➔ [Adjusting Vacuum Strength](#)

**Check 2** Check if the Print head is in the right position.

For detailed printing of small text or fine lines on glossy or semi-gloss photo paper or proof paper, etc., set the Print head to the optimal height and then adjust the position of the Print head.

➔ [Adjusting the Print Head](#)

Setting a lower value for **Head height** in the touch screen menu may resolve the problem.

➔ [Troubleshooting Paper Abrasion and Blurry Images](#)

**Check 3** Is the media type specified in the printer driver the same as the media type loaded in the printer?

When printing with the media type specified in the printer driver, load the specified media type in the printer.

➔ [Loading the Upper Roll on the Printer](#)

➔ [Loading the Lower Roll on the Roll Unit \(Option\)](#)

➔ [Loading Sheets in the Printer](#)

When printing with the media type specified in the printer driver, load the specified media type in the printer.

1. To stop printing, tap **Stop**.
2. Change the paper type in the printer driver and try printing again.

## ▶▶▶ Note

- When **Auto (Use Printer Settings)** is selected for the media type, printing is performed with the media type loaded in the printer.
- Click **Get Information** to reflect the paper information set in the printer to the printer driver.
  - ➔ Printing with Easy Setup

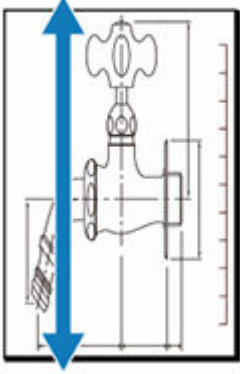
**Check 4** When loading paper in the printer, is the media loaded the same as the media type selected on the touch screen?

Select the correct media type in the touch screen menu when loading paper in the printer.

- ➔ [Loading the Upper Roll on the Printer](#)
- ➔ [Loading the Lower Roll on the Roll Unit \(Option\)](#)
- ➔ [Loading Sheets in the Printer](#)



**The length of the printed image in the paper ejection direction is not accurate**



**Check 1**

Is the media type specified in the printer driver the same as the media type loaded in the printer?

When printing with the media type specified in the printer driver, load the specified media type in the printer.

- ➔ [Loading the Upper Roll on the Printer](#)
- ➔ [Loading the Lower Roll on the Roll Unit \(Option\)](#)
- ➔ [Loading Sheets in the Printer](#)

When printing with the media type specified in the printer driver, load the specified media type in the printer.

1. To stop printing, tap **Stop**.
2. Change the paper type in the printer driver and try printing again.

### ▶▶▶ Note

- When **Auto (Use Printer Settings)** is selected for the media type, printing is performed with the media type loaded in the printer.
- Click **Get Information** to reflect the paper information set in the printer to the printer driver.
  - ➔ Printing with Easy Setup

**Check 2**

When loading paper in the printer, is the media loaded the same as the media type selected on the touch screen?

Select the correct media type in the touch screen menu when loading paper in the printer.

- ➔ [Loading the Upper Roll on the Printer](#)
- ➔ [Loading the Lower Roll on the Roll Unit \(Option\)](#)
- ➔ [Loading Sheets in the Printer](#)

**Check 3** Perform print quality adjustment to automatically adjust the feed amount.

Perform **Adjust print quality** from **Paper feed adjustment** and **Print alignment pattern** to automatically adjust the feed amount.

➔ [Automatic Banding Adjustment](#)

**Check 4** Is **Set priority** for **Paper feed adjustment** in the touch screen menu set to **Prioritize print quality**?

Set **Set priority** for **Paper feed adjustment** to **Prioritize length accuracy**, and then carry out **Adjust feed length**.

➔ [Adjusting Feed Amount](#)





## Images are printed crooked



**Check 1** Has the roll paper been loaded at an angle?

If there is a gap between the roll paper and roll holder, reload the roll on the roll holder.

➔ [Loading Rolls on the Roll Holder](#)

**Check 2** Paper may have been fed at an angle.

When **Roll paper auto feed** is set to **Disable**, feed the roll paper into the printer so that there is no gap between the right edge of the roll paper and the roll holder.

➔ [Loading the Upper Roll on the Printer](#)

➔ [Loading the Lower Roll on the Roll Unit \(Option\)](#)

**Check 3** Is **Detect paper width** set to **Disable**?

Set **Detect paper width** in the touch screen menu to **Enable**, and then reload the paper.

➔ [Menu Structure](#)

**Check 4** Is **Skew detection accuracy** in the touch screen menu set to **Loose** or **OFF**?

Set **Skew detection accuracy** to **Standard**, and then reload the paper.

➔ [Menu Structure](#)



## Documents are printed in monochrome



**Check 1** Is **Color Mode** set to **Monochrome**, or **Print Target** set to **Monochrome (Photo)** in a Windows printer driver?

In the **Advanced Settings** of the printer driver, specify **Color** in **Color Mode** and try printing again.

**Check 2** Is **Black and White Photo Print** selected in a macOS printer driver?

Deselect **Black and White Photo Print** in the printer driver **Quality & Media** settings, and then print again.

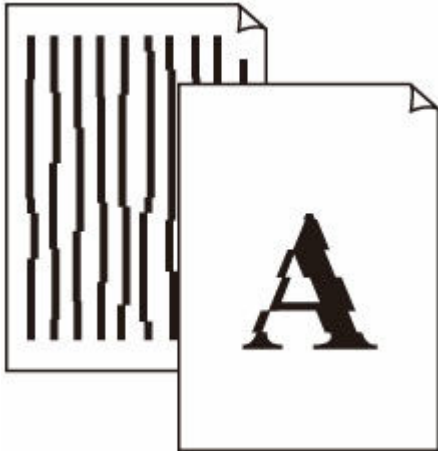
**Check 3** The print head nozzle may be blocked

Print a test pattern to check the color ink nozzles and see if they are clogged.

➔ [Checking for Nozzle Clogging](#)



## Line thickness is not uniform



**Check 1** Is the media type specified in the printer driver the same as the media type loaded in the printer?

When printing with the media type specified in the printer driver, load the specified media type in the printer.

- ➔ [Loading the Upper Roll on the Printer](#)
- ➔ [Loading the Lower Roll on the Roll Unit \(Option\)](#)
- ➔ [Loading Sheets in the Printer](#)

When printing with the media type specified in the printer driver, load the specified media type in the printer.

1. To stop printing, tap **Stop**.
2. Change the paper type in the printer driver and try printing again.

### ▶▶▶ Note

- When **Auto (Use Printer Settings)** is selected for the media type, printing is performed with the media type loaded in the printer.
- Click **Get Information** to reflect the paper information set in the printer to the printer driver.
  - ➔ Printing with Easy Setup

**Check 2** When loading paper in the printer, is the media loaded the same as the media type selected on the touch screen?

Select the correct media type in the touch screen menu when loading paper in the printer.

- ➔ [Loading the Upper Roll on the Printer](#)
- ➔ [Loading the Lower Roll on the Roll Unit \(Option\)](#)

➔ [Loading Sheets in the Printer](#)

### Check 3 Adjust the position of the Print head

If the printed result does not look uniform, such as when the lines are misaligned, adjust the position of Print Head.

➔ [Automatic Adjustment to Straighten Lines and Colors](#)

➔ [Manual Adjustment to Straighten Lines and Colors](#)

For photo paper and proof paper, it may be improved by setting **Head height** to a value lower than the current setting and then adjust the position of the Print head.

➔ [Troubleshooting Paper Abrasion and Blurry Images](#)

### Check 1 Is **Fast Graphic Process** set to **On** in the 32-bit Windows printer driver **Special Settings** dialog box?

Access the printer driver **Properties** dialog box from **Print** in the **File** menu of the source application, and follow these steps to print.

1. Deselect **Preview before printing** in the **Main** sheet.
2. Deselect **Page Layout** in the **Layout** sheet.
3. Click the **Special Settings** button in the **Layout** sheet, and then set **Fast Graphic Process** to **Off** in the **Special Settings** dialog box that opens.



## Lines or colors are misaligned



### Check 1 Adjust the position of the Print head

If borders are misaligned or the print results are not uniform, adjust the position of the Print head.

- ➔ [Automatic Adjustment to Straighten Lines and Colors](#)
- ➔ [Manual Adjustment to Straighten Lines and Colors](#)

For photo paper and proof paper, it may be improved by setting **Head height** to a value lower than the current setting and then adjust the position of the Print head.

- ➔ [Troubleshooting Paper Abrasion and Blurry Images](#)

### Check 2 Is the media type specified in the printer driver the same as the media type loaded in the printer?

When printing with the media type specified in the printer driver, load the specified media type in the printer.

- ➔ [Loading the Upper Roll on the Printer](#)
- ➔ [Loading the Lower Roll on the Roll Unit \(Option\)](#)
- ➔ [Loading Sheets in the Printer](#)

When printing with the media type specified in the printer driver, load the specified media type in the printer.

1. To stop printing, tap **Stop**.
2. Change the paper type in the printer driver and try printing again.

### ▶▶▶ Note

- When **Auto (Use Printer Settings)** is selected for the media type, printing is performed with the media type loaded in the printer.
- Click **Get Information** to reflect the paper information set in the printer to the printer driver.
  - ➔ Printing with Easy Setup

### Check 3 When loading paper in the printer, is the media loaded the same as the media type selected on the touch screen?

Select the correct media type in the touch screen menu when loading paper in the printer.

- ➔ [Loading the Upper Roll on the Printer](#)
- ➔ [Loading the Lower Roll on the Roll Unit \(Option\)](#)
- ➔ [Loading Sheets in the Printer](#)

#### Check 4 Is the Roll Paper loaded at an angle?

If there is a gap between the roll paper and the roll holder, reload the roll paper.

- ➔ [Loading the Upper Roll on the Printer](#)
- ➔ [Loading the Lower Roll on the Roll Unit \(Option\)](#)

#### Check 5 Paper may have been fed at an angle.

When **Roll paper auto feed** is set to **Disable**, feed the roll paper into the printer so that there is no gap between the right edge of the roll paper and the roll holder.

- ➔ [Loading the Upper Roll on the Printer](#)
- ➔ [Loading the Lower Roll on the Roll Unit \(Option\)](#)

#### Check 6 Is **Detect paper width** set to **Disable**?

Set **Detect paper width** in the touch screen menu to **Enable** to load the paper.

- ➔ [Menu Structure](#)

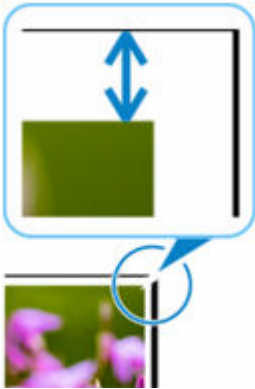
#### Check 7 Is **Skew detection accuracy** in the touch screen menu set to **Loose** or **OFF**?

Set **Skew detection accuracy** to **Standard**, and then reload the paper.

- ➔ [Menu Structure](#)



## Borders appear in borderless printing



If white bandings or borders appear on the edges of borderless printing, check the following items.

### Check 1 Is the position of the Print head adjusted?

Adjusting the position of the Print head will improve the printing accuracy.

➔ [Adjusting the Print Head](#)

### Check 2 If printing full-scale borderless, is the selected paper wider than the source size?

For borderless printing at actual size, use roll paper that has the same width as the actual page size.

- ➔ [Printing Full-Size without Margins \(Windows\)](#)
- ➔ [Printing Full-Size without Margins \(macOS\)](#)

### Check 3 Does the source file have margins?

Check that the printing image data does not have any objects like crop marks and transparent objects.

### Check 4 Is a margin set in application software?

Check that no margins are configured in the application software you are using.

### Check 5 Is the **Extension for borderless printing** set to small in the touch screen menu?

In the touch screen menu, set **Extension for borderless printing** to the larger number than the current setting.

➔ [Specifying the Amount of Extension for Borderless Printing](#)

## **Cannot Print over Network**

---

- **Cannot Connect Printer to Network**
- **Cannot Print over TCP/IP Network**
- **Cannot Print over Bonjour networks**





## Cannot Connect Printer to Network

---



**Check 1** Is the Ethernet cable connected correctly to the printer's wired LAN connector?

Make sure the printer is connected to the network with the correct Ethernet cable, and then turn the printer on. For instructions on connecting the cable, refer to the Setup Guide.

**Check 2** Make sure the Link indicator is lit.

The top and bottom indicators are lit if the printer is connected via 1000Base-T.

The top indicator is green if the printer is connected via 100Base-TX, and the bottom indicator is orange if connected via 10Base-T.

If the Link indicator is not lit, check the following points.

- The hub is on.
- The end of the Ethernet cable is connected correctly.

Insert the Ethernet cable until it clicks and locks in place.

- There is no problem with the Ethernet cable.

If there is any problem, replace the Ethernet cable.



## Cannot Print over TCP/IP Network

---



### Check 1 Is the printer's IP address configured correctly?

Make sure the printer's IP address is configured correctly.

#### ▶▶▶ Note

- For Windows, you can configure the printer's IP address using IJ Network Device Setup Utility.  
For details, refer to "Performing/Changing Network Settings" > "Performing Network Settings" in IJ Network Device Setup Utility Guide.  
➔ [IJ Network Device Setup Utility Guide](#)

### Check 2 Are the printer's TCP/IP network settings configured correctly?

Make sure the printer's TCP/IP network settings are configured correctly.

### Check 3 Is the computer you are trying to print from configured correctly?

Make sure the computer's TCP/IP network settings are configured correctly.



## Cannot Print over Bonjour networks

---



**Check 1** Is the computer you are trying to print from configured correctly?

Make sure the computer is configured correctly.

**Check 2** Are the computer and printer on the same network?

Due to the nature of Bonjour, printing may not be possible if the printer is on another network behind a router. Make sure the computer and printer are on the same network. For information about network settings, ask your network administrator.

**Check 3** Are the printer's Bonjour settings configured correctly?

Make sure the Bonjour settings are configured correctly.

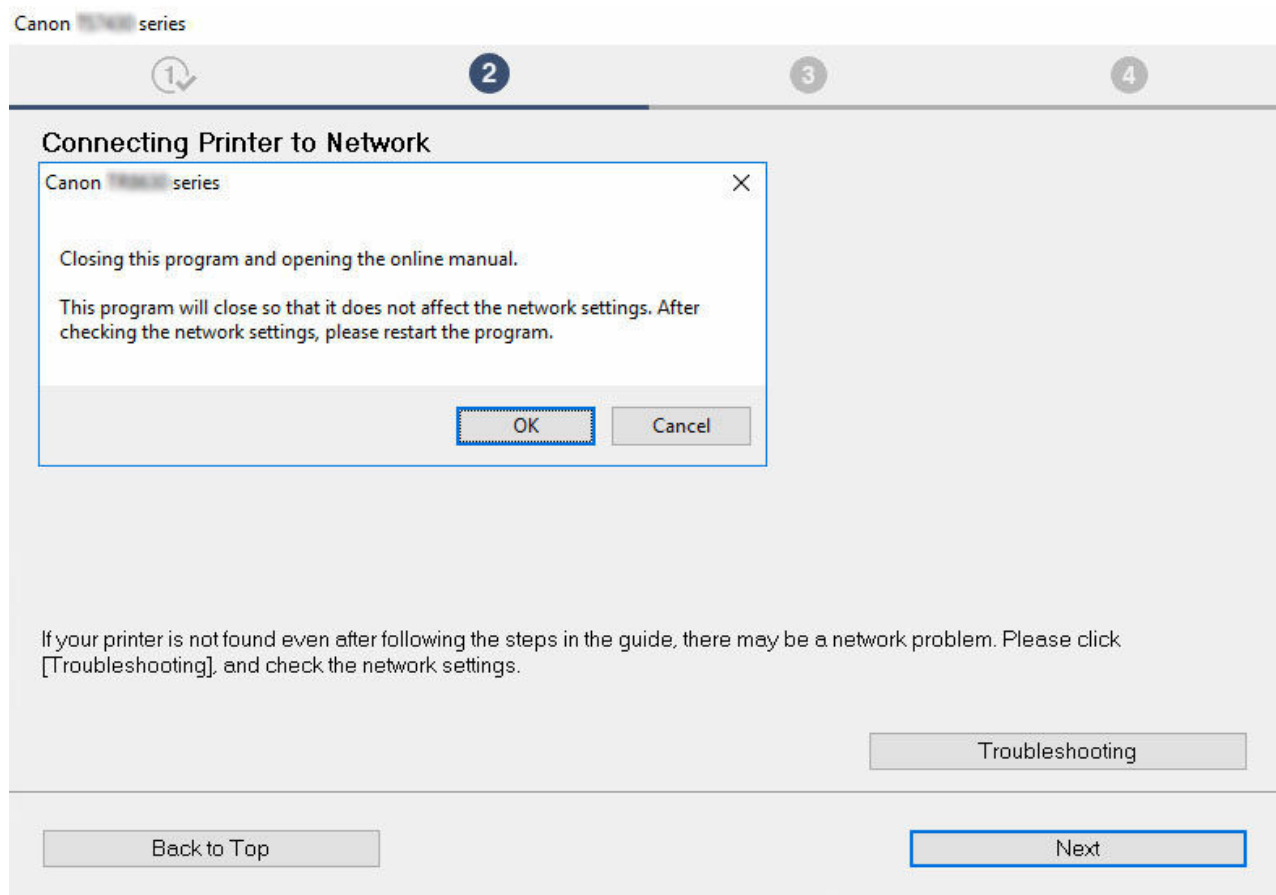
## **Cannot Find Printer on Network**

---

- **Cannot Find Printer During Setup**
- **Cannot Proceed beyond Printer Connection Screen/Connect Cable Screen**
- **Searching Printer by IP Address or Host Name During Setup**
- **Cannot Find Printer while Using Wi-Fi**
- **Cannot Find Printer while Using Wired LAN**
- **Cannot Print Using AirPrint**

## Cannot Find Printer During Setup

If you cannot find the printer on network during setup, check the following.



When you complete all the checking, try to set up from the beginning.

## Items to check for Wi-Fi

### Step 1 Check the basic items for Wi-Fi

#### 1. Check power status

Are printer and network device (router, etc.) turned on?

Stop setting up, and check if the router (modem) is turned on and then check if the printer is turned on.

##### 1. Check if network devices such as router are turned on.

If network devices are not turned on, turn on the power. If the network devices are on, turn them off and on again.

It may take a while for the network device to become ready for use once they are turned on.

Proceed once the network devices such as router are ready for use.

##### 2. Check if the printer is turned on

If printer is not turned on, turn on the power. If the printer is on, turn them off and on again.

#### 2. Check PC network connection

Can you view any web pages on your computer? Make sure the computer and network device (wireless router, etc.) are configured and the computer is connected to the network.

If you cannot view web pages on your computer, check wireless router network connection settings, such as IP address filtering, MAC address filtering, and DHCP function.

For more on checking the settings of the wireless router, refer to the instruction manual supplied with the wireless router or contact the manufacturer.

### ▶▶▶ Important



- Depending on the wireless router, note that different network name (SSID) is assigned for a bandwidth (2.4 GHz or 5 GHz) or its usage (for PC or game machine), using alphanumeric characters at the end of network name (SSID).

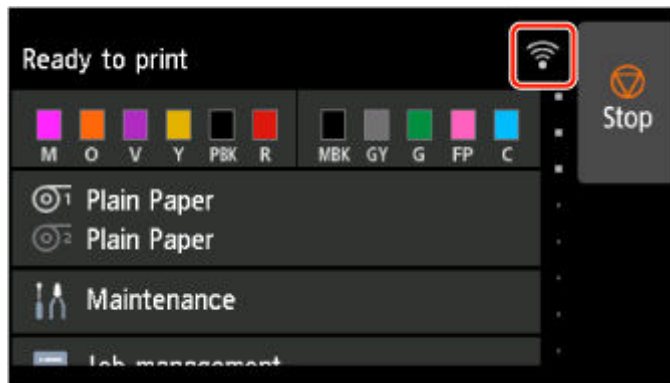
Once you complete checking the wireless router, configure the network settings for your computer. For the procedures, refer to the instruction manual supplied with the computer, or contact the manufacturer.

Once you complete setting up the wireless router and your computer, configure the settings on your computer in order to view web pages, using the information of the wireless router.

### 3. Check printer's Wi-Fi settings



Make sure the  or  icon is displayed on the touch screen.




#### If icon is not displayed:

The printer is not set to enable wireless communication. Change the printer settings in order to use Wi-Fi. Turn on wireless communication on the printer.



If  icon is displayed:



 icon indicates that the wireless router and the printer are not connected. Reconsider the locations of the wireless router and the printer.

- Checking the location of wireless router:

After checking the wireless router setting, make sure the printer is not placed too far away from the wireless router. The printer can be up to 164 ft. (50 m) from the wireless router indoors if unobstructed. Make sure the printer is close enough to the wireless router to be used.

Place the printer and wireless router where there are no obstacles between them. Wireless communication between different rooms or floors is generally poor. Wireless communication can be impeded by building materials containing metal or concrete. If the printer cannot communicate with the computer over a Wi-Fi due to a wall, place the printer and the computer in the same room.

In addition, if a device like a microwave oven that emits radio waves of the same frequency bandwidth as a wireless router is nearby, it may cause interference. Place the wireless router as far away from interference sources as possible.

- Checking the location of printer:

Make sure that the printer is not placed behind an object. The printer may not be connected when placed behind a wall or on a shelf. Try to place the printer in a location where there is no obstacle.

For details, see the instruction manual supplied with the wireless router or contact the manufacturer.

## Step 2 Solve the Problem, Using IJ Network Device Setup Utility

Diagnose and repair the network connections using IJ Network Device Setup Utility.

Download IJ Network Device Setup Utility from the below page, and install it on your computer.

### ➡ Checking Printer Connection Status Using IJ Network Device Setup Utility

If you can connect to the network, try to set up from the beginning.

## Items to check for wired LAN

### Step 1 Check the basic items for wired LAN

#### 1. Check the power and LAN Cable

When the printer cannot be found on the setup screen, using wired LAN connection setup, make sure that all the network devices are connected with the router and the hub via LAN cables and that all the devices are turned on.

##### If LAN cable is not connected:

Connect the router, hub, computer and printer via LAN cables.

Make sure the printer is turned on.

After checking the printer is turned on, make sure that the router and the hub are turned on.

##### If LAN cable is connected, and printer and network device are off:

Turn on printer or network device.

##### If LAN cable is connected, and printer and network device are on:

If they are on, turn them off and on again.

#### Note

- It may take a while for the printer and network device to become ready for use once they are turned on again. After turning it on, wait for a while and proceed.

#### 2. Check PC network connection

Can you view any web pages on your computer? Make sure the computer and network device (router, etc.) are configured and the computer is connected to the network.

If you cannot view web pages, unplug the cable connected to the router's WAN side. Connect the cable directly to the computer to see if you can view web pages on the Internet.

Check the settings for the router if you were able to view web pages. For details on checking the settings of the router, refer to the instruction manual supplied with the router or contact the manufacturer. Refer also to the instruction manual regarding the connection of the provider.

Once you complete checking the router, configure the network settings of your computer. For the procedures, refer to the instruction manual supplied with the computer, or contact the manufacturer.

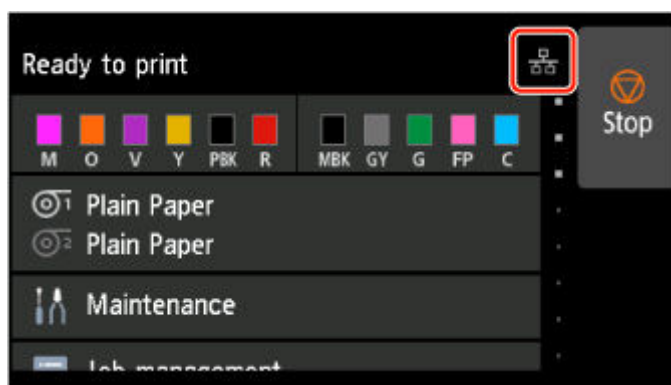
Once you complete setting up the router and your computer, configure the settings on your computer to view web pages, using the information of the router.

Proceed once you can view web pages on your computer.

#### 3. Check printer's wired LAN settings



Make sure the icon is displayed on the touch screen.



##### If icon is not displayed:

The printer is not set to enable wired communication. Change the printer settings in order to use wired LAN.

When you complete checking [Step 1] above, try to set up from the beginning.

If the printer cannot be detected after trying to set up from the beginning, proceed to [Step 2].

## **Step 2** Solve the Problem, Using IJ Network Device Setup Utility

Diagnose and repair the network connections using IJ Network Device Setup Utility.

Download IJ Network Device Setup Utility from the below page, and install it on your computer.

- ➡ [Checking Printer Connection Status Using IJ Network Device Setup Utility](#)

If you can connect to the network, try to set up from the beginning.





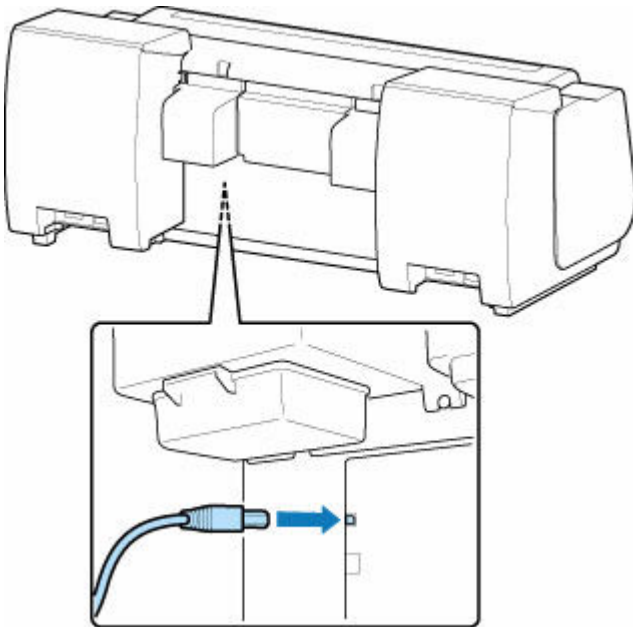
## Cannot Proceed beyond Printer Connection Screen/Connect Cable Screen



If you cannot proceed beyond the **Printer Connection** screen or the **Connect Cable** screen, check the following.

**Check 1** Make sure USB cable is securely plugged in to printer and computer.

Connect the printer and the computer using a USB cable as the illustration below. The USB port is located at the back side of the printer.




**Check the items below only if you cannot proceed beyond the Printer Connection screen.**

**Check 2** Follow procedure below to connect printer and computer again.

### ▶▶▶ Important

- For macOS, make sure the lock icon is on the lower left of the **Printers & Scanners** screen.



If the  icon (locked) is displayed, click the icon to unlock. (The administrator name and the password are necessary to unlock.)

1. Turn off printer.
2. Unplug USB cable from printer and computer and connect it again.

3. Turn on printer.

**Check 3** If you cannot resolve problem, follow procedure below to reinstall printer driver.

1. Exit setup.

2. Turn off printer.

3. Restart computer.

4. Make sure you have no application software running.

5. Click here and perform setup.

**▶▶▶ Note**

- You can use the Setup CD-ROM to redo setup.

## Searching Printer by IP Address or Host Name During Setup

If the printer cannot be found on the **Select Printer** screen, search for the printer by an IP address or host name. Click **Search By IP Address** on the screen which appears by clicking **Printer Not Found**. The screen to select searching criteria appears.

### 1. Check printer's IP address or host name.

To check the printer's IP Address or host name, print out the network settings information or use the touch screen to display it.

- Display on the touch screen.

➔ [LAN settings](#)

- Print the network settings.

➔ [Printing Network Settings](#)

### ▶▶▶ Note

- If you use the printer in an office, ask the network administrator.

### 2. Specify searching method.

Select one of the methods below.

The screenshot shows the 'Printer Search Method Selection' screen. It has a progress indicator at the top with steps 1, 2, 3, and 4. Step 2 is currently active. The screen contains three radio button options, each with a text input field below it:

- Search by IPv4 address (labeled A)
- Search by IPv6 address (labeled B)
- Search by host name (labeled C)

Below the options, there is a note: 'To specify an IP address and run the search, you must assign an IP address to the printer beforehand. For more details, click [Online Manual].' There is an 'Online Manual' button. At the bottom, there are 'Back' and 'Next' buttons.

#### A: Search by IPv4 address

Select to search for printers by IPv4 address.

#### B: Search by IPv6 address

Select to search for printers by IPv6 address.

### C: Search by host name

Select to search for printers by host name. A host name is referred to as LLMNR host name or Bonjour name.

### 3. Enter IP address or host name and click **Next**.

Printer search starts.

## **If an error screen appears:**

Resolve the error according to the instruction on the screen.

If the IP address you entered is already used for another device, follow the procedure below to specify printer's IP address.

### 1. Select **LAN settings** on HOME screen.

➡ [Home Screen Menu Composition](#)

If you specify the administrator password, enter the password.

### 2. Select **Wi-Fi**.

### 3. Select **Settings**.

### 4. Select **Advanced**.

### 5. Select **TCP/IP settings**.

#### • If you specify IPv4 address:

#### 1. Select **IPv4**.

#### 2. Select **Yes** on the displayed screen.

#### 3. Select **IP address**.

#### 4. Select **Manual setup**.

Selecting **Auto setup** specifies the IP address automatically.

#### 5. Enter IP address.

#### 6. Select **OK**.

#### 7. Enter subnet mask.

#### 8. Select **OK**.

#### 9. Enter default gateway.

**10. Select OK.**

The IPv4 address has been specified.

- **If you specify IPv6 address:**

**1. Select IPv6.**

**2. Select Yes** on the displayed screen.

**3. Select Enable/disable IPv6.**

**4. Select Enable.**

The IPv6 address has been specified.

**»» Important**

- If firewall is enabled on the computer, printers on a different subnet may not be detected. Disable firewall.

**If firewall interferes with printer search:**

- **If a firewall message appears:**

If a firewall message appears warning that Canon software is attempting to access the network, set the security software to allow access.

After allowing the software to access, specify the IP address or host name and search for printers again.

If the printer is found, follow the instructions on the screen to continue to set up the network communication.

- **If no firewall message appears:**

Temporarily disable the firewall and specify the IP address or host name to search for printers again.

After the setup is complete, re-enable the firewall.

**»» Note**

- For more on firewall settings of your operating system or security software, see instruction manual or contact its manufacturer.



## Cannot Find Printer while Using Wi-Fi

---




### Check 1 Make sure printer is turned on.

If not, make sure the printer is securely plugged in and press **ON** button to turn on.

The **ON** lamp flashes while the printer is initializing. Wait until the **ON** lamp stops flashing and remains lit.


### Check 2 Check the network status on the touch screen.



If the  icon is displayed, Wi-Fi is disabled.

Set **Enable/disable Wi-Fi** in the touch screen menu to **Enable**.



If the  icon is displayed, see Check 3 or later checking items to make sure whether printer setup is complete or the settings of wireless router to connect are correct.

### Check 3 Make sure printer setup is complete on the computer.

If it is not, perform setup.

- For Windows:  
Perform setup using the Setup CD-ROM or from Setup Guide.
- For macOS:  
Perform setup from Setup Guide.

### ▶▶▶ Note

- IJ Network Device Setup Utility allows you to diagnose and repair the network status.  
Select the link below to download IJ Network Device Setup Utility and install it.  
➔ [Checking Printer Connection Status Using IJ Network Device Setup Utility](#)

### Check 4 Make sure printer and wireless router network settings match.

Make sure the network settings of the printer (e.g. wireless router name, SSID, network key, etc.) are identical with those of the wireless router.

To check the settings of the wireless router, refer to the instruction manual provided with it or contact its manufacturer.

### ▶▶▶ Note

- Use 2.4 GHz frequency band to connect to a wireless router. Match the SSID set for the printer with that for 2.4 GHz frequency band of the wireless router.

To check the SSID set for the printer, print out the network setting information or use the operation panel to display it.

- Display on the touch screen.

➔ [LAN settings](#)

- Print the network settings.

➔ [Printing Network Settings](#)

### ▶▶▶ Note

- IJ Network Device Setup Utility allows you to diagnose and repair the network status.

Select the link below to download IJ Network Device Setup Utility and install it.

➔ [Checking Printer Connection Status Using IJ Network Device Setup Utility](#)

### Check 5 Make sure the printer is not placed too far away from the wireless router.

If the distance between the printer and wireless router is too far, wireless communication becomes poor. Place the printer and wireless router close to each other.

### ▶▶▶ Note

- Though an antenna is attached to most wireless routers, note that some of them have it inside.

### Check 6 Make sure wireless signal is strong. Monitor signal strength and move printer and wireless router as necessary.

Place the printer and wireless router where there are no obstacles between them. Wireless communication between different rooms or floors is generally poor. Wireless communication can be impeded by building materials containing metal or concrete. If the printer cannot communicate with the computer over a Wi-Fi due to a wall, place the printer and the computer in the same room.

In addition, if a device like a microwave oven that emits radio waves of the same frequency bandwidth as a wireless router is nearby, it may cause interference. Place the wireless router as far away from interference sources as possible.

### ▶▶▶ Note

- IJ Network Device Setup Utility allows you to diagnose and repair the network status.

Select the link below to download IJ Network Device Setup Utility and install it.

➔ [Checking Printer Connection Status Using IJ Network Device Setup Utility](#)

### Check 7 Make sure the computer is connected to the wireless router.

For more on how to check the computer settings or connection status, see your computer instruction manual or contact its manufacturer.

### ▶▶▶ Note

- If you use a smartphone or tablet, make sure the Wi-Fi is enabled on the device.

### Check 8 Make sure **Enable bidirectional support** is selected in the **Ports** sheet of the properties dialog box of the printer driver. (Windows)

If not, select it to enable bidirectional support.

**Check 9** Make sure security software's firewall is off.

If your security software's firewall is on, a message may appear warning you that Canon software is attempting to access the network. If this warning message appears, set security software to always allow access.

If you are using any programs that switch between network environments, check their settings.

**Check 10** If printer is connected to an AirPort Base Station via LAN, make sure you use alphanumeric characters for network identifier (SSID). (macOS)

**If the problem is not resolved, redo setup.**

- For Windows:  
Perform setup using the Setup CD-ROM or from Setup Guide.
- For macOS:  
Perform setup from Setup Guide.





## Cannot Find Printer while Using Wired LAN

---



**Check 1** Make sure printer is turned on.

If not, make sure the printer is securely plugged in and press **ON** button to turn on.

The **ON** lamp flashes while the printer is initializing. Wait until the **ON** lamp stops flashing and remains lit.

**Check 2** Make sure LAN cable is connected properly.

Make sure the printer is connected to the router with the LAN cable. If the LAN cable is loose, connect the cable properly.

If the LAN cable is connected to the WAN side of the router, connect the cable to the LAN side of the router.

**Check 3** Is  icon displayed on touch screen?

If the icon is not displayed, wired LAN is disabled.

If not, select **LAN settings > Wired LAN > Settings**, and then select **Enable** for **Enable/disable Wired LAN**.



## Cannot Print Using AirPrint

---



**Check 1** Make sure printer is turned on.

If the printer is turned on, turn it off and back on, and then check whether the issue is resolved.

**Check 2** Make sure printer is registered to your computer.

**Check 3** Make sure printer is connected by LAN to same network subnet as AirPrint compliant device when printing over LAN.

**Check 4** Make sure printer has enough paper and ink.

**Check 5** Make sure no error message is displayed on printer's touch screen.

## **Installation Problems**

---

- **Removing Printer Software**
- **Taking Time to Setup Process (Windows)**
- **Failed to Printer Driver Installation (Windows)**



## Removing Printer Software

---



Follow the steps below to remove utility software installed on the computer.

### ▶▶▶ Important

- You must log in as an administrator or have administrator permissions.

### ▶▶▶ Note

- See the pages below for how to remove printer drivers.
  - ➔ Deleting the Unnecessary Printer Driver (Windows)
  - ➔ [Delete the Unnecessary Canon IJ Printer from the Printer List](#) (macOS)

## Removing the IJ Network Device Setup Utility (Windows)

Follow the steps below to remove the IJ Network Device Setup Utility.

- Windows 10

1. Click **start**, select **Windows System**, and then select **Control Panel**.
2. Under **Programs**, select **Programs and Features**, select IJ Network Device Setup Utility from the list of programs, and then click **Uninstall**.

- Windows 8.1

1. Use the **Settings** charm on the desktop to open the **Control Panel**.
2. Under **Programs**, select **Programs and Features**, select IJ Network Device Setup Utility from the list of programs, and then click the **Uninstall** button.

- Windows 7

1. Select **Control Panel** from the **start** menu.
2. Select **Uninstall a program**.
3. Select IJ Network Device Setup Utility, and then click the **Uninstall** button.

### ▶▶▶ Note

- If the **User Account Control** dialog box is displayed, click **Yes**.

## Removing the IJ Network Device Setup Utility (macOS)

Follow the steps below to remove the IJ Network Device Setup Utility.

1. Select **Applications** from **Go** menu of Finder, double-click **Canon Utilities > IJ Network Device Setup Utility**, and then drag **Canon IJ Network Device Setup Utility** icon into **Trash**.
2. Restart computer.  
Empty the **Trash** and restart your computer.

### ▶▶ Note

- To reinstall IJ Network Device Setup Utility, uninstall IJ Network Device Setup Utility and install it again from the Canon website.



## Taking Time to Setup Process (Windows)

---



If Windows update starts during setup, or if you perform setup while Windows update is in progress, it may take a while to register the printer or to perform other processes.

Wait for a while. This is not a malfunction.



## Failed to Printer Driver Installation (Windows)

---



- **If installation does not start when you insert Setup CD-ROM:**

Follow the instructions below to start the installation.

1. Make the following settings.

- In Windows 10, click **Start** button > **File Explorer**, and then click **This PC** from list on left.
- In Windows 8.1, select **Explorer** icon in **Taskbar** on **Desktop**, and then select **This PC** from list on left.
- In Windows 7, click **Start**, and then click **Computer**.

2. Double-click the  CD-ROM icon in the window that appears.

If the contents of the CD-ROM appear, double-click **MSETUP4.EXE**.

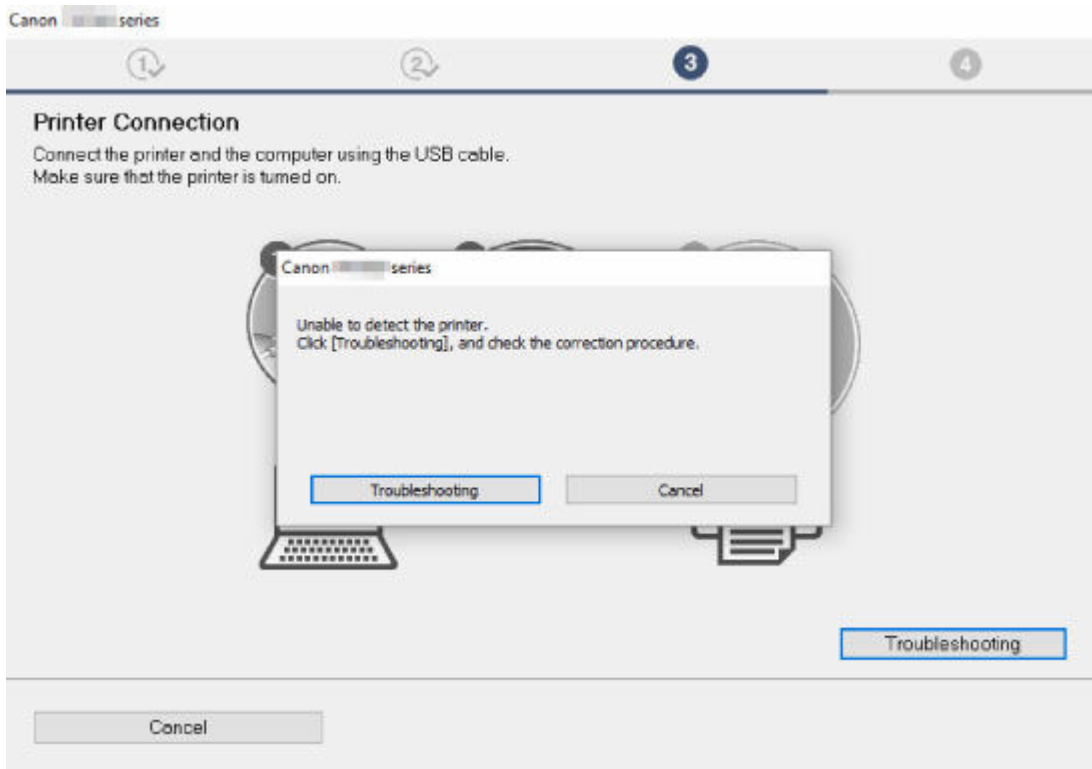
If you cannot install the printer driver with the Setup CD-ROM, install it from the Canon website.

### ▶▶▶ Note

- If the CD-ROM icon does not appear, try the following:
  - Remove the CD-ROM from your computer and reinsert it.
  - Restart your computer.

If the icon still does not appear, try a different disc and see if it appears. If it does, there is a problem with the Setup CD-ROM. Contact your nearest Canon service center to request a repair.

- **If you cannot get past the Printer Connection screen:**



➔ [Cannot Proceed beyond Printer Connection Screen/Connect Cable Screen](#)

- **Other cases:**

Reinstall the printer driver.

If the printer driver was not installed correctly, uninstall the printer driver, restart your computer, and then reinstall the printer driver.

➔ [Deleting the Unnecessary Printer Driver](#)

Reinstall the printer driver with the Setup CD-ROM or install it from the Canon website.

### ➤➤➤ **Note**

- If the installer was stopped due to a Windows error, Windows operation may be unstable, and you may not be able to install the drivers. Restart your computer and then reinstall the drivers.



## **Other Problems**

---

- **Printer does not turn on**
- **If the Printer Makes a Strange Sound**
- **Messages advising to check the maintenance cartridge are not cleared**
- **Printer consumes a lot of ink**
- **Printed pages are not collected cleanly in the basket**
- **Basket Lurches**
- **When Trim edge first is set, the trimmed paper is drawn into the roll unit**
- **Ink Level Detection**
- **Media Type Selection does not Match Loaded Media Type**
- **Warning Message is Displayed When Performing Color Calibration**



## Printer does not turn on

---



**Check 1** Is the power cord plugged in?

Plug the power cord into the outlet, and then turn on the printer.

**Check 2** Is the specified voltage being supplied?

Check the voltage of the outlet and breaker.

➔ [Specifications](#)

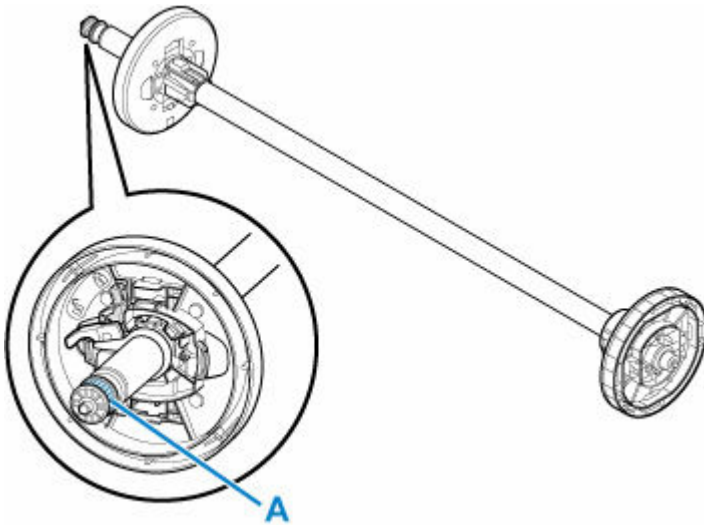


## If the Printer Makes a Strange Sound



**Check 1** Has an unusual noise been produced from the vicinity of the roll holder?

If dust accumulates on the gear (A) at the end of the roll holder, a noise may be produced from that area.



When the noise starts, clean the gear with the following procedure.

1. Remove the roll holder from the printer.
2. Wipe the dust off the gear with a damp, tightly wrung cloth, and then dry with a dry cloth.
3. Insert the roll holder in the printer.

**Check 2** Operating noise may be heard from the printer even when not printing.

The following sounds do not indicate a problem with the printer.

- A suction sound can be heard from the platen  
To prevent the paper from rising, the surface of the platen has vacuum holes that create suction on the paper.
- Roll paper makes a fluttering sound during printing.  
There may be a fluttering sound when large paper is advanced.
- You suddenly hear the sound of cleaning operations.  
Cleaning is automatically performed at specified intervals in order to keep the printer maintained.
- You suddenly hear the sound of ink agitation.

Ink is automatically agitated after specified intervals to maintain optimal print quality. Agitation takes approximately 1 minute 30 seconds.

Ink is also agitated automatically at the following times. Please note that no other operations can be performed while "Agitating the ink" is on the touch screen.

- After the printer is turned on
- After data transmission
- After ink tank replacement

In other cases, contact your Canon dealer.



## Messages advising to check the maintenance cartridge are not cleared

---



The newly replaced maintenance cartridge is not recognized.

Remove the newly replaced maintenance cartridge, and then reinsert it again firmly.

➔ [Replacing the Maintenance Cartridge](#)



## Printer consumes a lot of ink

---



### Check 1 Are lots of full-color materials being printed?

In print jobs such as photos, images are filled with color. This consumes a lot of ink. This does not indicate a problem with the printer.

### Check 2 Is **System Cleaning** being carried out frequently?

**System Cleaning** uses a lot of ink. This is normal. We recommend that you only carry out **System Cleaning** after the printer has been transported, if it has not been used for a long time, or if there is a problem with the Print head.

### Check 3 You have just finished initial installation, when more ink is consumed to fill the system.

If using the printer for the first time, or using it after transport, the ink tank will supply an initial fill of ink to the Print head.

Although the amount of remaining ink may drop as a result, it does not indicate a problem.

### Check 4 Is the Print head nozzle blocked?

Check for nozzle clogging.

➔ [Checking for Nozzle Clogging](#)



## Printed pages are not collected cleanly in the basket

---



### Check 1 Is the roll unit in place?

The basket may not be able to catch printed paper properly if the roll unit is in place.

Refer to Example Basket Configurations and try another basket position.

➔ [Example Basket Configurations](#)

### Check 2 Is the basket in the right position for the media size?

The optimal basket position depends on factors such as media size and the conditions the printer is being used under.

Refer to Example Basket Configurations and try another basket position.

➔ [Example Basket Configurations](#)



## Basket Lurches

---



Make sure a Basket Locking Support is attached to the Basket Arm. The basket may lurch if a force is applied to the one without the Basket Locking Support. To prevent the basket from lurching, attach the Basket Locking Supports to both sides of the Basket Arm.

➔ [Using the Basket](#)





## When Trim edge first is set, the trimmed paper is drawn into the roll unit

---



**Check** Is the basket in position 1?

If the roll unit is being used as a paper feeder and the basket is in position 1, the paper strip discarded by **Trim edge first** for borderless printing or paper loading may get drawn into the roll unit.

In this situation, refer to Example Basket Configurations and try another position.

➔ [Example Basket Configurations](#)



## Ink Level Detection

---



The printer ink tank detects the amount of ink remaining to prevent running out of ink while printing and to avoid printer failure.

➔ [Ink Tanks](#)

When using an ink tank refilled with ink, the function for detecting the remaining ink level may not operate properly and printing may stop. If you want to use an ink tank refilled with ink, you need to disable the function for detecting the remaining ink level.

### ▶▶▶ Important

- Printing with the ink level detection canceled may lead to printer damage and printing problems. Canon Inc. is not liable for any damage that may occur as a result of refilling ink.
- Once the function for detecting the remaining ink level is disabled, it cannot be restored for that ink tank. To restore the function for detecting the remaining ink level, replace the ink tank with a new ink tank for that printer.
- Repeatedly removing and inserting the same ink tank can cause the contacts between the ink tank and printer to malfunction, ink may leak from the ink tank, and the printer may become damaged.

## Releasing ink level detection

Ink level detection will be deactivated if you load ink tanks once emptied.

If "The above ink tank may be an ink tank that ran out of genuine Canon ink or a counterfeit Canon ink tank." appears on the touch screen, follow the steps below.

1. Move through the screens, performing the actions described in the messages that appear on the touch screen.
2. If an instruction to disable detection of remaining ink appears, touch **Stop** on the printer for at least 5 seconds, and then release it.

Ink level detection is now released.



## Media Type Selection does not Match Loaded Media Type

---



### Check 1 Is this paper being used for the first time?

If this is the first time to use the paper, it may not be selected correctly. In the media type selection, manually select the correct paper type.

### Check 2 Is the paper you set genuine paper or recommended paper?

If you want to use a paper that is not in the paper information list, register the media type in the Media Configuration Tool.

- ➔ Paper Information List
- ➔ Media Configuration Tool Guide

### Check 3 Is there any unevenness in the gloss and color of the paper surface?

Some media types may not be suitable for paper type estimation. If the paper type is not recognized correctly, manually select the correct paper in the media type selection.



## Warning Message is Displayed When Performing Color Calibration

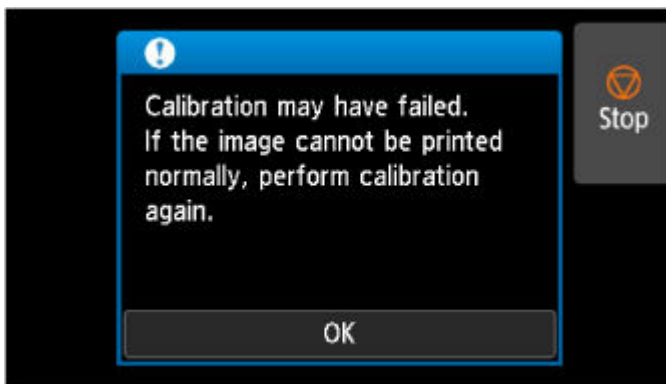
---



In the following cases, perform color calibration again or create a color calibration target.

- A warning message is displayed when performing color calibration.
- A warning message is displayed when creating a color calibration target.
- An error was seen in the print result when printing on a calibrated sheet.

### An example of a warning message



Please check the following:

- The print head nozzles are not blocked.
  - The paper is not curled or bent.
  - The paper is loaded correctly.
  - Paper settings are specified correctly.
  - The paper size is compatible with color calibration.
- ➔ [Performing Color Calibration](#)

## List of Support Code for Error

---

Support codes appear on the PC when an error occurs.

Support codes are error identification numbers that appear alongside error messages.

If an error occurs, check the support code and follow the recommended steps to resolve the issue.

### Support code displayed

- **1000 to 1ZZZ**

[1005](#) [100A](#) [100B](#) [100E](#) [100F](#) [1012](#)

[1018](#) [1019](#) [1021](#) [1022](#) [1023](#) [1024](#)

[1025](#) [1034](#) [1035](#) [1036](#) [1039](#) [1040](#)

[1051](#) [1052](#) [1054](#) [1056](#) [1057](#) [1058](#)

[1059](#) [1061](#) [1200](#) [1201](#) [1210](#) [1213](#)

[1214](#) [1300](#) [1306](#) [1317](#) [1318](#) [1322](#)

[1323](#) [1324](#) [1325](#) [1326](#) [1327](#) [1328](#)

[1329](#) [1401](#) [1403](#) [1408](#) [1409](#) [140A](#)

[140B](#) [140C](#) [140F](#) [1468](#) [1477](#) [1478](#)

[1480](#) [1481](#) [1485](#) [1492](#) [1494](#) [1495](#)

[1500](#) [1551](#) [1552](#) [1570](#) [1571](#) [1660](#)

[168B](#) [1720](#) [1721](#) [1722](#) [1730](#) [1731](#)

[1752](#) [1753](#) [1756](#) [1757](#) [1875](#)

- **2000 to 2ZZZ**

[2001](#) [2002](#) [2130](#) [2131](#) [2132](#)

- **3000 to 3ZZZ**

[3000](#) [3001](#) [3101](#) [3200](#) [3201](#) [3250](#)

[3306](#) [3311](#) [3312](#) [3313](#) [3314](#) [3315](#)

[3316](#) [3317](#) [3331](#) [3332](#) [3333](#) [3334](#)

[3335](#) [3336](#) [3338](#) [3341](#) [3350](#) [3351](#)

[3352](#) [3414](#) [3415](#) [3416](#) [3417](#) [3418](#)

[3419](#) [3420](#) [3421](#) [3422](#) [3423](#) [3424](#)

[3448](#) [3451](#)

• **4000 to 4ZZZ**

[4107](#) [4111](#) [4112](#) [4114](#) [4116](#) [4117](#)

[4119](#) [4120](#) [4121](#) [4122](#) [4801](#) [4803](#)

[4804](#) [4805](#) [4806](#) [4900](#) [4901](#) [4903](#)

[4905](#) [4909](#) [4910](#) [4911](#) [4913](#) [4920](#)

[4924](#) [4925](#) [4926](#) [4927](#) [4931](#) [4932](#)

[4933](#) [4934](#) [4935](#) [4950](#) [4951](#) [4952](#)

[4953](#) [4954](#) [4955](#) [4956](#)

• **5000 to 5ZZZ**

[5200](#) [5A60](#) [5A61](#) [5B10](#) [5B16](#) [5B20](#)

[5B21](#) [5C00](#)

• **6000 to 6ZZZ**

[6502](#) [6700](#) [6702](#) [6820](#) [6900](#) [6901](#)

[6902](#) [6910](#) [6911](#) [6920](#) [6921](#) [6930](#)

[6931](#) [6932](#) [6933](#) [6940](#) [6941](#) [6942](#)

[6943](#) [6944](#) [6945](#) [6946](#)

• **7000 to 7ZZZ**

[7050](#) [7051](#) [7052](#)

• **8000 to 8ZZZ**

[8200](#)

• **9000 to 9ZZZ**

[9000](#) [9110](#)

• **A000 to ZZZZ**

[B20A](#) [B510](#)

## 1005

---

### Cause

You have attempted to print on a sheet, but no sheet is loaded.

### What to Do

Check the media size and type for the print job on the touch screen, and then tap **OK**.

- **Continuing to print**

Tap **Load paper**, and then load the paper.

➔ [Loading and Printing on Sheets](#)

- **Stopping printing**

To stop printing, tap **Cancel** or **Stop** on the touch screen.



## 100A

---

### Cause

You have attempted to print from Roll 1 (Upper), but no roll is loaded.

### What to Do

Tap **Load paper** on the touch screen, and then load the paper roll and print.

➔ [Loading the Upper Roll on the Printer](#)

### ▶▶ Note

- To stop printing, tap **Cancel** or **Stop** on the touch screen.

## 100B

---

### Cause

Tried to print from Roll 2 (Lower) but no paper roll has been loaded.

### What to Do

Tap **Load paper** on the touch screen, and then load the paper roll and print.

➔ [Loading the Lower Roll on the Roll Unit \(Option\)](#)

### ▶▶ Note

- To stop printing, tap **Cancel** or **Stop** on the touch screen.

## 100E

---

### Cause

A printer error has occurred.

### What to Do

Turn off the power, wait a moment, and then turn it back on.

If the error appears again, make a note of the detailed error code (ECxx-xxxx) that appears on the touch screen, and then turn off the power and contact a Canon customer service center.

### Detailed error codes

EC16-202E

## 100F

---

### Cause

A printer error has occurred.

### What to Do

Turn off the power, wait a moment, and then turn it back on.

If the error appears again, make a note of the detailed error code (ECxx-xxxx) that appears on the touch screen, and then turn off the power and contact a Canon customer service center.

### Detailed error codes

EC17-202F

## 1012

---

### Cause

You have attempted to print on a sheet, but no sheet is loaded.

### What to Do

Tap **Load paper** on the touch screen, and then load cut paper and print.

➔ [Loading and Printing on Sheets](#)

### ▶▶ Note

- To stop printing, tap **Cancel** or **Stop** on the touch screen.

## 1018

---

### Cause

Roll 1 (Upper) feeder has not been calibrated.

### What to Do

Calibrating, please remove the upper roll holder.

➔ [Removing the Upper Roll from the Printer](#)

## 1019

---

### Cause

The roll unit feeder has not been calibrated.

### What to Do

Calibrating, please remove the roll holder on the roll unit.

➔ [Removing the Lower Roll from the Roll Unit \(Option\)](#)

## Cause

The printer has received a print job longer than the amount of roll paper left.

## What to Do

- **Continuing to print**

To continue printing, tap **Print with the loaded paper.** on the touch screen.

However, the roll paper may run out during the print job and you may not be able to print all of the document.

- **Replacing paper**

Tap **Replace the paper and print** and print on the touch screen.

Change the **Paper Source** in the printer driver, or replace the paper with paper of the right length for the print job, and then try again.

If using the Media Take-up Unit, tap **Cancel** on the touch screen to stop printing.

Remove the printed paper from the Media Take-up Unit, replace the paper with paper of the right length for the print job, and then try again.

➔ [Removing the Upper Roll from the Printer](#)

➔ [Loading the Upper Roll on the Printer](#)

➔ [Removing Printed Paper from the Roll Unit](#)

- **Stopping printing**

To stop printing, tap **Cancel** or **Stop** on the touch screen.



### Cause

Received print job that is longer than paper length remaining on Roll 1 (Upper).

### What to Do

- **Continuing to print**

To continue printing, tap **Print with the loaded paper.** on the touch screen.

However, the roll paper may run out during the print job and you may not be able to print all of the document.

- **Replacing paper**

Tap **Replace the paper and print** on the touch screen.

Change the **Paper Source** in the printer driver, or replace the paper with paper of the right length for the print job, and then try again.

➔ [Removing the Upper Roll from the Printer](#)

➔ [Loading the Upper Roll on the Printer](#)

- **Stopping printing**

To stop printing, tap **Cancel** or **Stop** on the touch screen.

## Cause

Received print job that is longer than paper length remaining on Roll 2 (Lower).

## What to Do

- **Continuing to print**

To continue printing, tap **Print with the loaded paper.** on the touch screen.

However, the roll paper may run out during the print job and you may not be able to print all of the document.

- **Replacing paper**

Tap **Replace the paper and print** on the touch screen.

Change the **Paper Source** in the printer driver, or replace the paper with paper of the right length for the print job, and then try again.

➔ [Removing the Lower Roll from the Roll Unit \(Option\)](#)

➔ [Loading the Lower Roll on the Roll Unit \(Option\)](#)

- **Stopping printing**

To stop printing, tap **Cancel** or **Stop** on the touch screen.

## Cause

Possible causes include the following.

- Roll paper is empty in Roll 1 (Upper).
- There is remaining roll paper in Roll 1 (Upper), but because it could not be advanced, it could not be detected.

## What to Do

### • The roll paper has run out

Follow the steps below to replace the used roll with a new roll of the same type and size.

1. Lift up the release lever and remove the roll paper.

➔ [Removing the Upper Roll from the Printer](#)

2. Load the new roll.

➔ [Loading the Upper Roll on the Printer](#)

3. If "**There is a job which has not been printed yet. Do you want to print this job?**" appears on the touch screen, tap **Yes**.

Printing will resume, starting from the page on which the error occurred.

### • Feed stopped because the end of the paper roll is attached to the core with tape

Remove the used roll paper and insert a new roll paper.

➔ [Removing the Upper Roll from the Printer](#)

➔ [Loading and Printing on Rolls](#)

### • Feed stopped because the remaining paper roll is too heavy

It may be helpful to change the printing mode, which will change the paper feed timing.

If using Windows, select a higher **Print Quality** setting under **Advanced Settings** in the printer driver.

If using macOS, select **Quality & Media** in the printer driver, and then select a higher **Print Quality** setting.

➔ [Setting the Print Quality Level \(Custom\) \(Windows\)](#)

➔ [Setting the Print Quality Level \(Custom\) \(macOS\)](#)

## ▶▶ Note

- To stop printing, tap **Stop**.

## 1025

---

### Cause

Roll paper in Roll 2 (Lower) is empty.

### What to Do

Follow the steps below to replace the used roll with a new roll of the same type and size.

1. Lift up the release lever and remove the roll paper.

➡ [Removing the Lower Roll from the Roll Unit \(Option\)](#)

2. Load the new roll.

➡ [Loading the Lower Roll on the Roll Unit \(Option\)](#)

3. If "**There is a job which has not been printed yet. Do you want to print this job?**" appears on the touch screen, tap **Yes**.

Printing will resume, starting from the page on which the error occurred.

### ▶▶ Note

- To stop printing, tap **Stop**.

## 1034

---

### Cause

No upper roll is loaded in printer.

### What to Do

- **Continuing to print**

Load an upper roll in the printer and print.

If an upper roll is loaded in the printer, feed the roll paper manually.

➔ [Loading the Upper Roll on the Printer](#)

- **Stopping printing**

To stop printing, tap **OK** on the touch screen.

### ▶▶ Note

- When **Roll paper auto feed** is set to **Disable**, roll paper is not fed automatically. Check the settings.

## 1035

---

### Cause

No lower roll is loaded in roll unit.

### What to Do

- **Continuing to print**

Load a lower roll in the roll unit and print.

If a lower roll is loaded in the roll unit, feed the roll paper manually.

➔ [Loading the Lower Roll on the Roll Unit \(Option\)](#)

- **Stopping printing**

To stop printing, tap **OK** on the touch screen.

### ▶▶ Note

- When **Roll paper auto feed** is set to **Disable**, roll paper is not fed automatically. Check the settings.

## 1036

---

### Cause

Printer tried printing from Roll 2 (Lower), but optional roll unit is not installed in lower position of printer.

### What to Do

Check if the roll unit is properly installed on the printer following the steps below.

1. Tap **OK** on the touch screen to stop printing.
2. Turn off the power and make sure the roll unit is properly installed on the printer.

### ▶▶ Note

- For instructions on installing the roll unit, see the Roll Unit Setup Guide provided with the roll unit.
- Make sure the roll unit's connection cable is inserted all the way in.

If the error appears again, the printer may be damaged. Contact a Canon customer service center.

## 1039

---

### Cause

Unsupported roll unit is installed on printer.

### What to Do

Turn off the power and remove the roll unit.

Check the model number of the roll unit. Install a roll unit supported by the printer.

➔ [Roll Unit](#)

### ▶▶▶ Note

- For instructions on installing the roll unit, see the Roll Unit Setup Guide provided with the roll unit.

If the error appears again, the printer may be damaged. Contact a Canon customer service center.



## 1040

---

### Cause

Unsupported roll unit is installed on printer.

### What to Do

Turn off the power and remove the roll unit.

Check the model number of the roll unit. Install a roll unit supported by the printer.

➔ [Roll Unit](#)

### ▶▶ Note

- For instructions on installing the roll unit, see the Roll Unit Setup Guide provided with the roll unit.

If the error appears again, the printer may be damaged. Contact a Canon customer service center.

## 1051

---

### Cause

The media type specified in the printer driver is not the same as the media type loaded in the printer.

### What to Do

You can continue to print, but note that this error may cause problems in the printing results.

## 1052

---

### Cause

The width of the roll paper set in **Fit Roll Paper Width** in the printer driver is not the same as the width of the roll paper loaded in the printer.

### What to Do

You can continue to print, but note that this error may cause problems in the printing results.

## 1054

---

### Cause

The paper in the printer is smaller than the paper size set in the printer driver.

### What to Do

You can continue to print, but note that this error may cause problems in the printing results.

## 1056

---

### Cause

The paper position is not suitable for borderless printing.

### What to Do

You can continue to print, but note that this error may cause problems in the printing results.

**1057**

---

**Cause**

The paper position is not suitable for borderless printing.

**What to Do**

You can continue to print, but note that this error may cause problems in the printing results.

## 1058

---

### Cause

Roll paper in Roll 1 (Upper) has almost run out.

### What to Do

Printing will continue. Replace the upper roll in the printer with one that has enough paper for printing as soon as possible.

➔ [Removing the Upper Roll from the Printer](#)

➔ [Loading the Upper Roll on the Printer](#)

### ➤➤ Note

- To stop printing, tap **Stop**.

## 1059

---

### Cause

Roll paper in Roll 2 (Lower) has almost run out.

### What to Do

Printing will continue. Replace the lower roll in the roll unit with one that has enough paper for printing as soon as possible.

➔ [Removing the Lower Roll from the Roll Unit \(Option\)](#)

➔ [Loading the Lower Roll on the Roll Unit \(Option\)](#)

### ➤➤ Note

- To stop printing, tap **Stop**.



## Cause

The media type specified in the print job is not the same as the media type loaded in the printer.

## What to Do

Tap **OK** on the touch screen to go to the next screen.

Check the displayed media type and size, and tap **OK**.

- **Printing again according to the media type**

Follow the steps below to match the media type in the print job and the media type loaded in the printer.

- **Changing the media type in the print job**

1. Tap **Cancel** to stop printing.
2. Change the media type in the print job settings to the media type loaded in the printer, and then try again.

- ➡ [Loading and Printing on Rolls](#)
- ➡ [Loading and Printing on Sheets](#)

- **Replacing paper**

1. Tap **Replace the paper and print**.
2. Load the paper with the media type specified in the print job, and then try again.

- ➡ [Loading and Printing on Rolls](#)
- ➡ [Loading and Printing on Sheets](#)

- **Printing with the current print settings**

To continue printing, tap **Print with the loaded paper** on the touch screen.

However, note that this error may cause paper jams and affect the printing quality.

## 1200

---

### Cause

Top cover or print head lock lever is open.

### What to Do

Open the top cover and make sure the print head lock lever is closed properly.

Make sure there are no foreign objects caught in the top cover, and then close the top cover.

If this error appears again, close the top cover, turn the power off, wait a moment, and then turn the power back on.

### ▶▶ Note

- If installing a print head, close the top cover after finishing.

## 1201

---

### Cause

The ink tank cover is open.

### What to Do

Close the ink tank cover.

## 1210

---

### Cause

The ink tank cover is open.

### What to Do

Close the ink tank cover.

## 1213

---

### Cause

Release lever is lifted up.

### What to Do

Lower the release lever.

If the error occurs again, turn off the printer and wait a while before restoring power.

## 1214

---

### Cause

A printer error has occurred.

### What to Do

Turn off the power, wait a moment, and then turn it back on.

If the error appears again, make a note of the detailed error code (ECxx-xxxx) that appears on the touch screen, and then turn off the power and contact a Canon customer service center.

### Detailed error codes

EC19-2F21 EC51-2F38

## Cause

Paper jammed inside the printer while printing.

## What to Do

Follow these steps below to remove jammed paper.

1. Lift up the release lever and remove the jammed paper.

- ➡ [Remove Jammed Roll Paper](#)

- ➡ [Remove a Jammed Sheet](#)

2. Load the paper.

- ➡ [Loading the Upper Roll on the Printer](#)

- ➡ [Loading the Lower Roll on the Roll Unit \(Option\)](#)

- ➡ [Loading Sheets in the Printer](#)

3. If "**There is a job which has not been printed yet. Do you want to print this job?**" appears on the touch screen, tap **Yes**.

Printing will resume, starting from the page on which the error occurred.

If the error appears again, the printer may be damaged. Contact a Canon customer service center.

## 1306

---

### Cause

A print job for rolls was received when a sheet is loaded.

### What to Do

Follow these steps to load and print on a roll.

1. To remove the cut paper, tap **Remove paper** on the touch screen.

➔ [Removing Sheets](#)

2. Load a new roll.

➔ [Loading the Upper Roll on the Printer](#)

➔ [Loading the Lower Roll on the Roll Unit \(Option\)](#)

### ▶▶▶ Note

- To stop printing, tap **Cancel** or **Stop** on the touch screen.



## Cause

Paper loaded crooked was detected when the paper was advanced.

## What to Do

Lift up the release lever and reload the paper.

- ➔ [Loading the Upper Roll on the Printer](#)
- ➔ [Loading the Lower Roll on the Roll Unit \(Option\)](#)
- ➔ [Loading Sheets in the Printer](#)

If this error appears again even after reloading the paper roll, remove the roll holder from the printer, insert the paper roll firmly into the roll holder until it is up against the flange, and then insert the roll holder into the printer.

- ➔ [Loading Rolls on the Roll Holder](#)

## ▶▶▶ Important

- If this message continues to appear even after taking the steps above, or if you do not want this message to appear, set **Skew detection accuracy** in the printer menu to **OFF** or **Loose**. However, note that the paper will be printed skewed, which could cause paper jams and abnormal print results, or dirty the platen and the reverse of the next printed sheet.

## 1318

---

### Cause

A printer error has occurred.

### What to Do

Turn off the power, wait a moment, and then turn it back on.

If the error appears again, make a note of the detailed error code (ECxx-xxxx) that appears on the touch screen, and then turn off the power and contact a Canon customer service center.

### Detailed error codes

EC0F-2F93

## Cause

Cannot detect paper size because paper is not in the correct position or because curled paper has been loaded.

## What to Do

Lift up the release lever and reload the paper.

- ➔ [Loading the Upper Roll on the Printer](#)
- ➔ [Loading the Lower Roll on the Roll Unit \(Option\)](#)
- ➔ [Loading Sheets in the Printer](#)

If "**There is a job which has not been printed yet. Do you want to print this job?**" appears on the touch screen, tap **Yes**.

Printing will resume, starting from the page on which the error occurred.

### ▶▶▶ Note

- If this error appears again even after reloading the paper roll, remove the roll holder from the printer, insert the paper roll firmly into the roll holder until it is up against the flange, and then insert the roll holder into the printer.
  - ➔ [Loading Rolls on the Roll Holder](#)
- This error might also appear if the platen has been dirtied by ink or another substance, or if the size of clear film could not be detected. In this case, open the top cover and clean the entire platen area.
  - ➔ [Cleaning Inside the Top Cover](#)

## 1323

---

### Cause

An unsuitable paper size has been loaded.

### What to Do

Lift up the release lever and reload paper of suitable size.

➔ [Paper Sizes](#)

### ➤➤ Note

- Load unused A4/letter size or larger paper if printing calibration and nozzle check patterns. Each calibration may take several sheets of paper.

## Cause

A print job for printing on sheets was sent when a roll is loaded.

## What to Do

Follow the steps below to print again.

1. Tap **Remove paper** on the touch screen to stop printing.
2. Remove the paper roll, load cut paper of the size and type specified in the printer driver, and then try again.
  - ➔ [Removing the Upper Roll from the Printer](#)
  - ➔ [Removing the Lower Roll from the Roll Unit \(Option\)](#)
  - ➔ [Loading and Printing on Sheets](#)

## ▶▶ Note

- To stop printing, tap **Cancel** or **Stop** on the touch screen.

## 1325

---

### Cause

Received cut paper print data when using roll unit on Media Take-up Unit.

### What to Do

Follow the steps below to print again.

1. Tap **Cancel** on the touch screen to stop printing.
2. Remove the paper roll, load cut paper of the size and type specified in the printer driver, and then try again.
  - ➡ [Removing Printed Paper from the Roll Unit](#)
  - ➡ [Loading and Printing on Sheets](#)

### Cause

Printer could not feed upper roll.

### What to Do

Fully rewind the upper roll in the printer manually, check the following, and then tap **OK** on the touch screen.

- Is the edge of the roll paper at a slant or folded?

If the edge of the roll paper is at a slant or is folded, use scissors or a cutting tool to cut it away and straighten the edge of the roll paper.

- Is the roll paper loaded in the opposite orientation?

Load the roll paper in correct orientation.

- Is the roll paper loose?

If the roll paper is loose, remove the slack before loading the roll paper.

- Is the paper wrinkled or curled?

If the paper is wrinkled or curled, straighten it out before loading it.

To continue paper feeding, tap **OK** on the touch screen and feed the paper manually.

➔ [Loading the Upper Roll on the Printer](#)

## Cause

Printer could not feed roll paper from roll unit (lower).

## What to Do

Fully rewind the roll paper in the roll unit (lower) manually, check the following, and then tap **OK** on the touch screen.

- Is the edge of the roll paper at a slant or folded?

If the edge of the roll paper is at a slant or is folded, use scissors or a cutting tool to cut it away and straighten the edge of the roll paper.

- Is the roll paper loaded in the opposite orientation?

Load the roll paper in correct orientation.

- Is the roll paper loose?

If the roll paper is loose, remove the slack before loading the roll paper.

- Is the paper wrinkled or curled?

If the paper is wrinkled or curled, straighten it out before loading it.

To continue paper feeding, tap **OK** on the touch screen and feed the paper manually.

➔ [Loading the Lower Roll on the Roll Unit \(Option\)](#)



## Cause

Upper roll jammed.

## What to Do

Fully rewind the upper roll in the printer manually, check the following, and then tap **OK** on the touch screen.

- Is the edge of the roll paper at a slant or folded?

If the edge of the roll paper is at a slant or is folded, use scissors or a cutting tool to cut it away and straighten the edge of the roll paper.

- Is the roll paper loaded in the opposite orientation?

Load the roll paper in correct orientation.

- Is the roll paper loose?

If the roll paper is loose, remove the slack before loading the roll paper.

- Is the paper wrinkled or curled?

If the paper is wrinkled or curled, straighten it out before loading it.

To continue paper feeding, tap **OK** on the touch screen and feed paper manually.

➔ [Loading the Upper Roll on the Printer](#)

If the error appears again, the printer may be damaged. Contact a Canon customer service center.

## Cause

Roll paper jammed in roll unit (lower).

## What to Do

Fully rewind the roll paper in the roll unit (lower) manually, check the following, and then tap **OK** on the touch screen.

- Is the edge of the roll paper at a slant or folded?

If the edge of the roll paper is at a slant or is folded, use scissors or a cutting tool to cut it away and straighten the edge of the roll paper.

- Is the roll paper loaded in the opposite orientation?

Load the roll paper in correct orientation.

- Is the roll paper loose?

If the roll paper is loose, remove the slack before loading the roll paper.

- Is the paper wrinkled or curled?

If the paper is wrinkled or curled, straighten it out before loading it.

To continue paper feeding, tap **OK** on the touch screen and feed paper manually.

➔ [Loading the Lower Roll on the Roll Unit \(Option\)](#)

If the error appears again, the printer may be damaged. Contact a Canon customer service center.

## 1401

---

### Cause

Failed to recognize print head.

### What to Do

Open the top cover and reattach the print head.

➔ [Replacing the Print Head](#)

## 1403

---

### Cause

There is a problem with the print head.

### What to Do

Tap **OK** on the touch screen, and then replace the current print head with a new one.

➔ [Replacing the Print Head](#)

If you do not have a replacement print head ready, turn off the power and replace the print head once you have the new one.

## 1408

---

### Cause

There is a problem with the print head.

### What to Do

Tap **OK** on the touch screen, and then replace the current print head with a new one.

➔ [Replacing the Print Head](#)

If you do not have a replacement print head ready, turn off the power and replace the print head once you have the new one.

## 1409

---

### Cause

There is a problem with the print head.

### What to Do

Tap **OK** on the touch screen, and then replace the current print head with a new one.

➔ [Replacing the Print Head](#)

If you do not have a replacement print head ready, turn off the power and replace the print head once you have the new one.

## 140A

---

### Cause

There is a problem with the print head.

### What to Do

Tap **OK** on the touch screen, and then replace the current print head with a new one.

➔ [Replacing the Print Head](#)

If you do not have a replacement print head ready, turn off the power and replace the print head once you have the new one.

## 140B

---

### Cause

Failed to recognize print head.

### What to Do

Open the top cover and reattach the print head.

➔ [Replacing the Print Head](#)



## 140C

---

### Cause

There is a problem with the print head.

### What to Do

Turn off the power, wait a moment, and then turn it back on.

## 140F

---

### Cause

There is a problem with the print head.

### What to Do

Tap **OK** on the touch screen, and then replace the current print head with a new one.

➔ [Replacing the Print Head](#)

If you do not have a replacement print head ready, turn off the power and replace the print head once you have the new one.

## 1468

---

### Cause

A printer error has occurred.

### What to Do

Turn off the power, wait a moment, and then turn it back on.

If the error appears again, make a note of the detailed error code (ECxx-xxxx) that appears on the touch screen, and then turn off the power and contact a Canon customer service center.

### Detailed error codes

EC55-2F24

**1477**

---

### **Cause**

There is a problem with the print head.

### **What to Do**

Open the top cover and replace the print head with a new one.

➔ [Replacing the Print Head](#)

**1478**

---

### **Cause**

There is a problem with the print head.

### **What to Do**

Tap **OK** on the touch screen, and then replace the current print head with a new one.

➔ [Replacing the Print Head](#)

If you do not have a replacement print head ready, turn off the power and replace the print head once you have the new one.

**1480**

---

### **Cause**

The attached print head was previously used in a different model.

### **What to Do**

Attach the correct print head.

➔ [Replacing the Print Head](#)

**1481**

---

### **Cause**

The attached print head was previously used in a model that uses a different ink set.

### **What to Do**

Attach the correct print head.

➔ [Replacing the Print Head](#)

**1485**

---

**Cause**

Cannot use attached print head.

**What to Do**

Attach the correct print head.

➔ [Replacing the Print Head](#)



## 1492

---

### Cause

A printer error has occurred.

### What to Do

Turn off the power, wait a moment, and then turn it back on.

If the error appears again, make a note of the detailed error code (ECxx-xxxx) that appears on the touch screen, and then turn off the power and contact a Canon customer service center.

### Detailed error codes

EC21-2F44 EC3F-2F40 EC3F-2F41

## 1494

---

### Cause

There may be a problem with the print head.

### What to Do

Turn off the power, wait a moment, and then turn it back on.

If the error appears again, remove and reattach the print head.

➔ [Replacing the Print Head](#)

If that does not get rid of the error, replace the print head with a new one.

## Cause

The print head nozzle is blocked.

## What to Do

Follow the steps below to clean the print head.

1. Tap **Cancel** on the touch screen to stop printing.
2. Clean the print head.

➔ [Cleaning the Print Head](#)

If this message still appears when printing, replace the print head.

➔ [Replacing the Print Head](#)

## ▶▶ Important

- To continue printing, use the touch screen and tap **Continue printing**. However, the print results may not be satisfactory.

**1500**

---

**Cause**

The ink in the ink tank is running low.

**What to Do**

Prepare a new ink tank.

## 1551

---

### Cause

A genuine Canon ink tank with a history of past use has been detected.

### What to Do

To dismiss the message, tap **OK** on the touch screen.

## 1552

---

### Cause

A genuine Canon ink tank has been inserted.

### What to Do

To dismiss the message, tap **OK** on the touch screen.

## 1570

---

### Cause

The ink in the ink tank has run out.

### What to Do

Open the ink tank cover, and then replace the ink tank before the ink in the sub-ink tank of this printer becomes insufficient.

➔ [Replacing Ink Tanks](#)

### ▶▶ Note

- You can replace the ink tank even while printing.

**1571**

---

**Cause**

Ink tank removed during printing.

**What to Do**

If replacing the ink tank, insert a new ink tank.

➔ [Replacing Ink Tanks](#)



## 1660

---

### Cause

Ink tank not inserted.

### What to Do

Insert the ink tank correctly.

➔ [Replacing Ink Tanks](#)

## 168B

---

### Cause

The ink tank cannot be recognized.

Printing cannot be executed because the ink tank may not be compatible with this printer.

### What to Do

Install the appropriate ink tank.

## 1720

---

### Cause

The maintenance cartridge is full.

It needs to be replaced.

### What to Do

Replace the maintenance cartridge.

➔ [Replacing the Maintenance Cartridge](#)

## 1721

---

### Cause

The maintenance cartridge is not installed.

### What to Do

Install the maintenance cartridge.

➔ [Replacing the Maintenance Cartridge](#)

## 1722

---

### Cause

Incorrect type of maintenance cartridge.

### What to Do

Insert the correct maintenance cartridge.

➔ [Replacing the Maintenance Cartridge](#)

If this error continues to appear, contact a Canon customer service center.

## Cause

The ink tank may be an ink tank that ran out of genuine Canon ink or a counterfeit Canon ink tank.

## What to Do

To print, you must replace the ink tank or disable the function for detecting the remaining ink level.

➔ [Replacing Ink Tanks](#)

To disable the function for detecting the remaining ink level, touch **Stop** on the printer for at least 5 seconds, and then release it.

By this operation, the fact that you have disabled the function for detecting the remaining ink level will be memorized. Please be advised that Canon shall not be liable for any malfunction or trouble caused by continuation of printing under the ink out condition or by using refilled ink tanks.

### ▶▶▶ Note

- If the function for detecting the remaining ink level is disabled, the ink tank in gray is displayed on the touch screen when checking the current ink level.

To report the counterfeit ink tank, access Canon website from the following link.

➔ [Report Counterfeit](#)

## Cause

Non-genuine Canon ink tank has been detected.

## What to Do

To print, you must replace the ink tank or disable the function for detecting the remaining ink level.

➔ [Replacing Ink Tanks](#)

To disable the function for detecting the remaining ink level, touch **Stop** on the printer for at least 5 seconds, and then release it.

By this operation, the fact that you have disabled the function for detecting the remaining ink level will be memorized. Please be advised that Canon shall not be liable for any malfunction or trouble caused by using a non-genuine Canon ink tank.

### ▶▶▶ Note

- If the function for detecting the remaining ink level is disabled, the ink tank in gray is displayed on the touch screen when checking the current ink level.

To report the counterfeit ink tank, access Canon website from the following link.

➔ [Report Counterfeit](#)

**1752**

---

**Cause**

The ink has run out.

**What to Do**

Open the ink tank cover, and then replace the ink tank.

➔ [Replacing Ink Tanks](#)



## Cause

The remaining level of the ink cannot be correctly detected.

## What to Do

Replace the ink tank. Printing will restart.

➔ [Replacing Ink Tanks](#)

An ink tank that was once empty is installed.

If you want to continue printing, you need to disable the function for detecting the remaining ink level.

To disable this function, touch **Stop** on the printer for at least 5 seconds, and then release it.

With this operation, disabling the function for detecting the remaining ink level is memorized.

Please be advised that Canon shall not be liable for any malfunction or trouble caused by continuation of printing under the ink out condition or by using refilled ink tanks.

**1756**

---

**Cause**

The ink may become insufficient.

**What to Do**

To perform the next process or to continue the specified process, replace the ink tank.

➔ [Replacing Ink Tanks](#)

**1757**

---

### **Cause**

Cannot fill sub ink tank.

### **What to Do**

Check the touch screen, remove the ink tank for the affected color, and then reinsert it.

If the inserted ink tank is empty, replace it with a new ink tank.

➔ [Replacing Ink Tanks](#)

## 1875

---

### Cause

Attempted to print on roll unit roll paper, but roll unit is not powered on or has been removed.

### What to Do

Turn off the power and check the connection with the roll unit.

For instructions on installing the roll unit, see the Roll Unit Setup Guide provided with the roll unit.

## 2001

---

### Cause

An incompatible device is connected.

### What to Do

Check the device connected to the USB flash drive port.

Only USB flash drive can be connected to this device for direct printing.

## 2002

---

### Cause

An incompatible USB hub is connected.

### What to Do

If USB flash drive is connected to this device through a USB hub, remove the USB hub.

Connect the USB flash drive directly to this device.

## Cause

The roll paper width set in the print job is not the same as the width of the roll paper in the printer.

## What to Do

Tap **OK** on the touch screen to go to the next screen.

Check the media type and size that appear and tap **OK**.

- **Stopping printing**

Tap **Cancel** or **Stop** on the touch screen.

- **Replacing the roll paper**

Follow the steps below to replace the paper with roll paper of the width set in the printer driver.

1. Tap **Replace the paper and print**, then remove the roll paper.

- ➔ [Removing the Upper Roll from the Printer](#)
- ➔ [Removing the Lower Roll from the Roll Unit \(Option\)](#)

2. Replace the paper with paper of the width set in the printer driver.

- ➔ [Loading the Upper Roll on the Printer](#)
- ➔ [Loading the Lower Roll on the Roll Unit \(Option\)](#)

Printing begins.

- **Printing without changes**

Tap **Print with the loaded paper..**

However, note that this error may cause paper jams and affect the printing quality.

### ▶▶▶ Note

- To change print settings in Windows, select **Fit Roll Paper Width** in the printer driver and set the roll paper width in the dialog box that appears.
- To change print settings in macOS, open the printer driver and select **Fit Roll Paper Width**, and then set the roll paper width in that panel to the width of the paper loaded in the printer.
- To suppress this message, set **Detect paper setting mismatch** in the touch screen menu to **Do not detect**. However, note that this error may affect the printing quality.

➔ [Menu Structure](#)

## Cause

The roll paper loaded in the printer is narrower than the roll paper width in the print job.

## What to Do

Tap **OK** on the touch screen to go to the next screen.

Check the media type and size that appear and tap **OK**.

- **Stopping printing**

Tap **Cancel** or **Stop** on the touch screen.

- **Replacing the roll paper**

Follow the steps below to replace the paper with roll paper of the width specified in the print job paper size settings.

1. Tap **Replace the paper and print**, then remove the roll paper.

- ➔ [Removing the Upper Roll from the Printer](#)

- ➔ [Removing the Lower Roll from the Roll Unit \(Option\)](#)

2. Replace the paper with paper of the width set in the printer driver.

- ➔ [Loading the Upper Roll on the Printer](#)

- ➔ [Loading the Lower Roll on the Roll Unit \(Option\)](#)

Printing begins.

- **Printing without changes**

Tap **Print with the loaded paper..**

However, note that this error may cause paper jams and affect the printing quality.

## ▶▶▶ Note

- To change print settings in Windows, select **Fit Roll Paper Width** in the printer driver and set the roll paper width in the dialog box that appears.
- To change print settings in macOS, open the printer driver and select **Fit Roll Paper Width**, and then set the roll paper width in that panel to the width of the paper loaded in the printer.
- To suppress this message, set **Detect paper setting mismatch** in the touch screen menu to **Do not detect**. However, note that this error may affect the printing quality.

- ➔ [Menu Structure](#)



### Cause

Cannot print internal printer data, such as test prints, for the following reasons.

- The paper roll loaded in the printer is too small.
- The cut paper loaded in the printer is the wrong size or type.

### What to Do

- **Roll**

Tap **Replace the paper and print** on the touch screen, or lift up the release lever and replace the paper with paper of the correct size.

To stop printing, tap **Cancel** or **Stop** on the touch screen.

- **Sheet**

Lift up the release lever and load paper of the same size and type as the first page.

To stop printing, tap **Stop**.

## 3000

---

### Cause

The print head has not been calibrated.

### What to Do

**Print Head Alignment** is recommended.

➔ [Adjusting the Print Head](#)

### ▶▶ Note

- This message will appear until **Print Head Alignment** is carried out.

## 3001

---

### Cause

The print head nozzle is becoming blocked.

### What to Do

Check the printed materials.

If the printed materials are scratched, clean the print head.

➔ [Cleaning the Print Head](#)

## Cause

Common calibration or unique calibration is now recommended.

This message appears when the **Calibration guide settings** is set to **Enable** and any of the following apply.

- The printer is loaded with a media type not suitable for **Color calibration**, and the specified conditions have been met since the last time common calibration was carried out.
- The printer is loaded with a media type suitable for **Color calibration**, but there are no **Color calibration** results for that media type and the specified conditions have been met since the last time common calibration was carried out.
- The printer is loaded with a media type suitable for **Color calibration**, but there are no **Color calibration** results for that media type and also no common calibration results.

## What to Do

Carry out common calibration as needed.

➔ [Performing Color Calibration](#)

### ➤➤➤ Note

- To suppress this message, set the **Calibration guide settings** in the touch screen menu to **Disable**.

➔ [Menu Structure](#)

## 3200

---

### Cause

It is almost time to replace consumables for which service is required.

### What to Do

This can be used for a little while, until the message "**A part needs to be replaced.**" appears.

Contact your Canon dealer for assistance.

## 3201

---

### Cause

It is past the recommended time to replace consumables for which service is required.

### What to Do

Contact your Canon dealer for assistance.

## 3250

---

### Cause

The maintenance cartridge is almost full.

### What to Do

Prepare a new maintenance cartridge because an error may occur if you continue to use the printer while the maintenance cartridge is full.

➔ [Replacing the Maintenance Cartridge](#)

### Cause

Media information cannot be recognized because the printer media information is corrupt.

### What to Do

Start the Media Configuration Tool, and then recover the media information.

➔ [Media Configuration Tool Guide](#)

To set the Media Configuration Tool to recovery mode, open the Media Configuration Tool, select this device and then click **OK**.

Select and load the media information backup file.

If you do not have a media information backup file, contact a Canon customer service center.



## 3311

---

### Cause

Incorrect print data.

Illegal number of parameters.

### What to Do

Defective print data, please check the print results.

If using printing software such as RIP (Raster Image Processor), contact the software manufacturer.

## 3312

---

### Cause

Incorrect print data.

Required items have been omitted.

### What to Do

Defective print data, please check the print results.

If using printing software such as RIP (Raster Image Processor), contact the software manufacturer.

## 3313

---

### Cause

Incorrect print data.

Data out of range.

### What to Do

Defective print data, please check the print results.

If using printing software such as RIP (Raster Image Processor), contact the software manufacturer.

## 3314

---

### Cause

Incorrect print data.

Resolution value out of range.

### What to Do

Defective print data, please check the print results.

If using printing software such as RIP (Raster Image Processor), contact the software manufacturer.

## 3315

---

### Cause

Incorrect print data.

Compression method value out of range.

### What to Do

Defective print data, please check the print results.

If using printing software such as RIP (Raster Image Processor), contact the software manufacturer.

## 3316

---

### Cause

Incorrect print data.

Incorrect data formatting (color sequence, bit count).

### What to Do

Defective print data, please check the print results.

If using printing software such as RIP (Raster Image Processor), contact the software manufacturer.

## 3317

---

### Cause

Incorrect print data.

Illegal combination of resolution and image data format.

### What to Do

Defective print data, please check the print results.

If using printing software such as RIP (Raster Image Processor), contact the software manufacturer.

## 3331

---

### Cause

Print results may be abnormal as there is a large volume of print data.

### What to Do

Check the print job.



### Cause

Unsupported JPEG data format.

### What to Do

Check the JPEG data.

Printable file formats are as follows.

- **Files which conforms to JFIF 1.02**

- Processing method: Basic DCT
- Color mode: RGB/GrayScale
- Number of colors: 24bit/8bit
- Number of pixels: 38400 or less vertically and horizontally

\* Does not support some samplings.

## Cause

Unsupported JPEG data format.

## What to Do

Check the JPEG data.

Printable file formats are as follows.

- **Files which conforms to JFIF 1.02**

- Processing method: Basic DCT
- Color mode: RGB/GrayScale
- Number of colors: 24bit/8bit
- Number of pixels: 38400 or less vertically and horizontally

\* Does not support some samplings.

**3334**

---

**Cause**

PDF data is print protected.

**What to Do**

Open the PDF file in Adobe Acrobat and make sure it can be printed.

**3335**

---

**Cause**

Corrupt PDF file.

**What to Do**

Open the PDF file in Adobe Acrobat and check it.

The file can also be printed from Acrobat.

## 3336

---

### Cause

Too many fonts are used in the PDF file, causing a memory shortage.

Printing will continue but some incorrect characters will be printed.

### What to Do

Print the PDF file from a computer or convert the PDF file to JPEG and then print it.

**3338**

---

**Cause**

Resolution of JPEG data and printer settings are mismatched.

**What to Do**

Check the print results.

When the print results have problems, print using a printer driver.

## 3341

---

### Cause

Print data including the image processing table was sent.

### What to Do

Print data that includes the image processing table cannot be printed.

If using printing software such as RIP (Raster Image Processor), contact the software manufacturer.

## 3350

---

### Cause

Free space on the personal box on the printer hard disk is running low.

### What to Do

Delete unneeded jobs stored in personal boxes.

➔ [Deleting Saved Jobs](#)



## 3351

---

### Cause

100 jobs are stored in the personal box.

### What to Do

Delete any unneeded jobs saved in the personal box.

➔ [Deleting Saved Jobs](#)

## 3352

---

### Cause

The printer hard disk is full, so the job will only be printed.

(The print job will not be saved to the hard disk.)

### What to Do

To save the print job, delete any unneeded jobs saved in the personal box.

➔ [Deleting Saved Jobs](#)

## 3414

---

### Cause

Communication with mail server failed.

### What to Do

Tap **OK** on the touch screen to dismiss the error.

Check that the address and port numbers of the sending mail server (SMTP server) are correct in the Remote UI mail server settings.

➔ [Setting Mail Server](#)

If this does not resolve the error, check the status of the mail server.

Contact the mail server administrator to check the server settings and status.

## 3415

---

### Cause

Communication with mail server failed.

### What to Do

Tap **OK** on the touch screen to dismiss the error.

Check that the address and port numbers of the receiving mail server (POP3 server) are correct in the Remote UI mail server settings.

➔ [Setting Mail Server](#)

If this does not resolve the error, check the status of the mail server.

Contact the mail server administrator to check the server settings and status.

## 3416

---

### Cause

Communication with mail server failed.

### What to Do

Tap **OK** on the touch screen to dismiss the error.

Check that the mail server and device secure connection (SSL) settings match.

Check the secure connection (SSL) settings in **Remote UI**.

➔ [Setting Mail Server](#)

Contact the mail server administrator to configure a secure connection (SSL) to the mail server.

### Cause

Communication with mail server failed.

### What to Do

Tap **OK** on the touch screen to dismiss the error.

Check that the mail server and device secure connection (SSL) settings match.

Check the secure connection (SSL) settings in **Remote UI**.

➔ [Setting Mail Server](#)

Contact the mail server administrator to configure a secure connection (SSL) to the mail server.

## 3418

---

### Cause

Communication with mail server failed.

### What to Do

Tap **OK** on the touch screen to dismiss the error.

Check that the sending mail server (SMTP server) is correctly configured in the Remote UI mail server settings.

➔ [Setting Mail Server](#)

If this does not resolve the error, check the status of the mail server.

Contact the mail server administrator to check the server settings and status.

## 3419

---

### Cause

Communication with mail server failed.

### What to Do

Tap **OK** on the touch screen to dismiss the error.

Check that the sending account and password are correctly configured in the Remote UI mail server settings.

➔ [Setting Mail Server](#)

If this does not resolve the error, check the status of the mail server.

Contact the mail server administrator to check the server settings and status.



## 3420

---

### Cause

Communication with mail server failed.

### What to Do

Tap **OK** on the touch screen to dismiss the error.

Check that the receiving mail server (POP3 server) is correctly configured in the Remote UI mail server settings.

➔ [Setting Mail Server](#)

If this does not resolve the error, check the status of the mail server.

Contact the mail server administrator to check the server settings and status.

## 3421

---

### Cause

Communication with mail server failed.

### What to Do

Tap **OK** on the touch screen to dismiss the error.

Check that the receiving account and password are correctly configured in the Remote UI mail server settings.

➔ [Setting Mail Server](#)

If this does not resolve the error, check the status of the mail server.

Contact the mail server administrator to check the server settings and status.

## 3422

---

### Cause

Communication with mail server failed.

### What to Do

Tap **OK** on the touch screen to dismiss the error.

Check that the settings on the mail server and the APOP settings on this device match.

Check this device's APOP settings in **Remote UI**.

➔ [Setting Mail Server](#)

Contact the mail server administrator for configuring APOP on the mail server.

## 3423

---

### Cause

Communication with mail server failed.

### What to Do

Tap **OK** on the touch screen to dismiss the error.

Check if the Remote UI mail server settings are correct.

➔ [Setting Mail Server](#)

If this does not resolve the error, check the status of the mail server.

Contact the mail server administrator to check the server settings and status.

## 3424

---

### Cause

Sending mail failed.

### What to Do

Tap **OK** on the touch screen to dismiss the error.

Specify the correct destination mail address and try again.

## 3448

---

### Cause

IP address is conflicting.

### What to Do

Tap **OK** on the touch screen to dismiss the error.

Check the network configuration and change the network configuration to prevent a conflict with other network devices.

For details on changing the network configuration, refer to the documentation for your network device.

## 3451

---

### Cause

Failed to communicate with the monitoring service center.

### What to Do

Check the network connection and perform a communication test.

For details on changing the network configuration, refer to the documentation for your network device.

## 4107

---

### Cause

Possible causes include the following.

- Received print job for Roll 1 (Upper) while Roll 2 (Lower) is in use.
- Received print job for Roll 2 (Lower) while Roll 1 (Upper) is in use.

### What to Do

Tap **OK** on the touch screen to dismiss the error.

Remove the printed matter, and then try again.



## 4111

---

### Cause

The media type specified is incompatible with this device.

### What to Do

Tap **Stop** on the touch screen to stop printing.

Check the media type settings, and then try again.

## 4112

---

### Cause

Received a print job specifying paper feed from the roll unit, but the roll unit use setting is not set to paper feed.

### What to Do

To stop printing, tap **OK** or **Stop** on the touch screen.

Check the roll unit settings, and then try again.

➔ [Switching Roll Unit Modes](#)

## 4114

---

### Cause

The paper position is not suitable for borderless printing.

### What to Do

Tap **OK** on the touch screen, then reload the paper.

Insert the roll paper firmly until it is against the roll holder flange.

➔ [Loading Rolls on the Roll Holder](#)

## Cause

The paper is loaded askew.

## What to Do

- **Reloading paper**

Tap **Replace the paper and print** on the touch screen, then reload the paper.

➔ [Loading the Upper Roll on the Printer](#)

➔ [Loading the Lower Roll on the Roll Unit \(Option\)](#)

Insert the roll paper firmly until it is against the roll holder flange.

➔ [Loading Rolls on the Roll Holder](#)

- **Printing with the loaded paper**

Tap **Print with the loaded paper.** on the touch screen.

Paper is printed borderless with the document width set slightly smaller than the paper.

- **Stopping printing**

Tap **Cancel** on the touch screen to stop printing.

### ▶▶▶ Note

- To force the printer to print, set **Detect paper setting mismatch** in the touch screen menu to **Do not detect**.

However, note that this error may affect the printing quality.

## Cause

The print job received contains settings not compatible with borderless printing.

## What to Do

- **Changing the print job settings**

Follow these steps to change the settings of the print job to enable borderless printing.

1. Tap **Cancel** on the touch screen to stop printing.
2. Check that the paper source is set to Roll Paper in your application.
3. Check that banner printing is not set, and then try again.

See the media information list for media types compatible with borderless printing.

➔ Paper Information List

- **Printing with a border**

Tap **Print with border** on the touch screen.

Printing with a border is now enabled.

## ▶▶ Note

- To force the printer to print, set **Detect paper setting mismatch** in the touch screen menu to **Do not detect**.

However, note that this error may affect the printing quality.

## Cause

Cannot print borderless because the paper is out of position.

## What to Do

- **Reloading paper**

Lift up the release lever and reload the roll paper.

➔ [Loading the Upper Roll on the Printer](#)

➔ [Loading the Lower Roll on the Roll Unit \(Option\)](#)

- **Printing with the loaded paper**

Tap **Print with the loaded paper.** on the touch screen.

Paper is printed borderless with the document width set slightly smaller than the paper.

- **Stopping printing**

Tap **Cancel** on the touch screen to stop printing.

## Cause

The print job received specifies a type or width of paper that is not compatible with borderless printing.

## What to Do

- **Changing the print job settings**

Follow these steps to change the settings of the print job to enable borderless printing.

1. Tap **Cancel** on the touch screen to stop printing.
2. Check that the printer driver for the printer has been selected, and then try again.

See the media information list for media types compatible with borderless printing.

➡ Paper Information List

- **Printing with a border**

Tap **Print with border** on the touch screen.

Printing with a border is now enabled.

### ▶▶ Note

- To force the printer to print, set **Detect paper setting mismatch** in the touch screen menu to **Do not detect**.

However, note that this error may affect the printing quality.

## Cause

Cannot print borderless for the following reasons.

- **Fit Roll Paper Width** is not specified in the printer driver.
- Roll paper is not wide enough, or the paper is out of position.

## What to Do

- **Stopping printing**

Tap **Cancel** on the touch screen to stop printing.

- **Printing with the loaded paper**

Tap **Print with the loaded paper.** on the touch screen.

Paper is printed borderless with the document width set slightly smaller than the paper.



## 4122

---

### Cause

The media type in the printer cannot be printed borderless.

### What to Do

Tap **Cancel** on the touch screen to stop printing.

### ▶▶ Note

- See the media information list for media types compatible with borderless printing.
  - ➔ Paper Information List

## 4801

---

### Cause

A printer error has occurred.

### What to Do

Turn off the power, wait a moment, and then turn it back on.

If the error appears again, make a note of the detailed error code (ECxx-xxxx) that appears on the touch screen, and then turn off the power and contact a Canon customer service center.

### Detailed error codes

EC01-2F90 EC01-2F95 EC04-2F31 EC04-2F91 EC05-2F92 EC06-2F9A EC06-2F9B EC06-2F9C  
EC07-2F19 EC0F-2F96 EC11-2F2A EC12-2F29 EC12-2F2B EC12-2F2C EC13-2F17 EC15-2E23  
EC16-2021 EC16-2022 EC16-2027 EC16-202A EC16-2038 EC17-2023 EC17-2024 EC17-2028  
EC17-2029 EC17-2039 EC1B-2030 EC1B-2031 EC1B-2032 EC1B-2033 EC1C-2034 EC1C-2035  
EC1C-2036 EC1C-2037 EC21-2F51 EC21-2F54 EC21-2F57 EC21-2F59 EC21-2F5B EC21-2F5D  
EC21-2F61 EC21-2F67 EC21-2F68 EC21-2F6E EC21-2F70 EC21-2F71 EC21-2F72 EC21-2F7D  
EC22-2F30 EC22-2F47 EC23-260E EC23-2F11 EC23-2F18 EC23-2F32 EC25-2F16 EC31-2F09  
EC31-2F10 EC31-2F1B EC31-2F1C EC31-2F1D EC31-2F1E EC31-2F1F EC31-2F22 EC31-2F23  
EC31-2F94 EC33-2601 EC33-2604 EC33-2F3A EC33-2F3E EC34-2602 EC34-2605 EC34-2F3B  
EC35-2603 EC35-2606 EC35-2F3C EC51-2F14 EC51-2F15 EC51-2FDD EC51-2FDE EC51-2FDF  
EC51-3301 EC51-3302 EC51-3303 EC54-290A EC54-290D EC54-2910 EC54-2911 EC54-2912  
EC54-2913 EC54-2914 EC55-2F20 EC58-2F12

## 4803

---

### Cause

A printer error has occurred.

### What to Do

Turn off the power, wait a moment, and then turn it back on.

If the error appears again, make a note of the detailed error code (ECxx-xxxx) that appears on the touch screen, and then turn off the power and contact a Canon customer service center.

### Detailed error codes

EC51-203C

## 4804

---

### Cause

A printer error has occurred.

### What to Do

Turn off the power, wait a moment, and then turn it back on.

If the error appears again, make a note of the detailed error code (ECxx-xxxx) that appears on the touch screen, and then turn off the power and contact a Canon customer service center.

### Detailed error codes

EC17-203D

## 4805

---

### Cause

A printer error has occurred.

### What to Do

Turn off the power, wait a moment, and then turn it back on.

If the error appears again, make a note of the detailed error code (ECxx-xxxx) that appears on the touch screen, and then turn off the power and contact a Canon customer service center.

### Detailed error codes

EC1D-2050

## 4806

---

### Cause

A printer error has occurred.

### What to Do

Turn off the power, wait a moment, and then turn it back on.

If the error appears again, make a note of the detailed error code (ECxx-xxxx) that appears on the touch screen, and then turn off the power and contact a Canon customer service center.

### Detailed error codes

EC1E-2053

## 4900

---

### Cause

The printer hard disk is full.

### What to Do

tap **Stop** to stop printing, and then take the following action.

- Cancel the print job in the job queue.
  - ➔ [Deleting Print Jobs](#)
- Delete unneeded jobs stored in personal boxes.
  - ➔ [Deleting Saved Jobs](#)

## 4901

---

### Cause

The printer hard disk has not been formatted.

### What to Do

Tap **OK** on the touch screen to begin formatting the hard disk.

When formatting is complete, the data on the hard disc will be erased and the printer will automatically restart.



## 4903

---

### Cause

The maximum number of jobs have been saved in the box.

### What to Do

Take the actions below.

- Cancel the print job in the job queue.
  - ➔ [Deleting Print Jobs](#)
- Delete unneeded jobs stored in personal boxes.
  - ➔ [Deleting Saved Jobs](#)

### ▶▶ Note

- To stop printing, tap **Stop**.

## 4905

---

### Cause

A printer error has occurred.

### What to Do

Turn off the power, wait a moment, and then turn it back on.

If the error appears again, make a note of the detailed error code (ECxx-xxxx) that appears on the touch screen, and then turn off the power and contact a Canon customer service center.

### Detailed error codes

EC51-3304 EC51-3306 EC51-3307 EC51-3308 EC51-3309 EC51-330A

## 4909

---

### Cause

A printer error has occurred.

### What to Do

Turn off the power, wait a moment, and then turn it back on.

If the error appears again, make a note of the detailed error code (ECxx-xxxx) that appears on the touch screen, and then turn off the power and contact a Canon customer service center.

### Detailed error codes

EC54-290C

## Cause

The width of the roll paper set in **Fit Roll Paper Width** in the printer driver is not the same as the width of the roll paper loaded in the printer.

## What to Do

Tap **OK** on the touch screen to go to the next screen.

Check the media type and size that appear and tap **OK**.

- **Stopping printing**

Tap **Cancel** or **Stop** on the touch screen.

- **Replacing the roll paper**

Follow the steps below to replace the paper with roll paper of the width set in the printer driver.

1. Tap **Replace the paper and print**, then remove the roll paper.

- ➡ [Removing the Upper Roll from the Printer](#)
- ➡ [Removing the Lower Roll from the Roll Unit \(Option\)](#)

2. Replace the paper with paper of the width set in the printer driver.

- ➡ [Loading the Upper Roll on the Printer](#)
- ➡ [Loading the Lower Roll on the Roll Unit \(Option\)](#)

Printing begins.

- **Printing without changes**

Tap **Print with the loaded paper**.

However, note that this error may cause paper jams and affect the printing quality.

## ▶▶ Note

- To change print settings in Windows, select **Fit Roll Paper Width** in the printer driver and set the roll paper width in the dialog box that appears.
- To change print settings in macOS, open the printer driver and select **Fit Roll Paper Width**, and then set the roll paper width in that panel to the width of the paper loaded in the printer.

## Cause

The media type specified in the printer driver is not the same as the media type loaded in the printer.

## What to Do

Tap **OK** on the touch screen to go to the next screen.

Check the media type and size that appear and tap **OK**.

- **Changing the printer driver print settings**

Follow the steps below to match the media type in the printer driver and the media type specified for the printer.

1. Tap **Cancel** on the touch screen to stop printing.
2. Change the media type in the printer driver settings to the media type loaded in the printer, and then try again.

- **Replacing paper**

Follow the steps below to match the media type in the printer driver and the media type specified for the printer.

1. Tap **Replace the paper and print** on the touch screen to stop printing.
2. Load the paper with the media type set in the printer driver, and then try again.

- ➡ [Loading and Printing on Rolls](#)
- ➡ [Loading and Printing on Sheets](#)

- **Printing without changes**

To continue printing, tap **Print with the loaded paper.** on the touch screen.

However, note that this error may cause paper jams and affect the printing quality.

## Cause

Cannot print borderless for one of the following reasons.

- The paper size in the printer cannot be printed borderless.
- The paper is loaded askew.

## What to Do

### • Replacing paper

Follow the steps below to replace the printer paper with paper that can be printed borderless.

1. Tap **Replace the paper and print** on the touch screen, then remove the roll paper.
  - ➔ [Removing the Upper Roll from the Printer](#)
  - ➔ [Removing the Lower Roll from the Roll Unit \(Option\)](#)
2. Replace the printer paper with paper that can be printed borderless.
  - ➔ [Loading the Upper Roll on the Printer](#)
  - ➔ [Loading the Lower Roll on the Roll Unit \(Option\)](#)

Printing begins.

### ▶▶▶ Note

See the media information list for media types compatible with borderless printing.

- ➔ Paper Information List

### • Reloading paper

Tap **Replace the paper and print** on the touch screen, and then load the paper.

- ➔ [Loading the Upper Roll on the Printer](#)
- ➔ [Loading the Lower Roll on the Roll Unit \(Option\)](#)

Insert the roll paper firmly until it is against the roll holder flange.

- ➔ [Loading Rolls on the Roll Holder](#)

### • Printing with the loaded paper

Tap **Print with the loaded paper.** on the touch screen.

Paper is printed borderless with the document width set slightly smaller than the paper.

### • Stopping printing

Tap **Cancel** on the touch screen to stop printing.

## Cause

Cannot cut paper for one of the following reasons.

- Paper that has been cut remains on the output guide.
- There is a foreign object near the output slot that is obstructing the cutter blade.
- The paper is not being used under the recommended usage conditions.
- The paper in use cannot be used with **Automatic cut**.

## What to Do

### • Paper that has been cut remains on the output guide

Follow the steps below to resume printing.

1. Lift up the release lever and remove the paper.
2. Load the paper.
3. Lower the release lever.
4. If "**There is a job which has not been printed yet. Do you want to print this job?**" appears on the touch screen, tap **Yes**.

Printing will resume, starting from the page on which the error occurred.

- ➔ [Removing the Upper Roll from the Printer](#)
- ➔ [Removing the Lower Roll from the Roll Unit \(Option\)](#)

### • A foreign object near the output slot is obstructing the cutter blade

Follow the steps below to resume printing.

1. Open the top cover and remove any foreign objects.
2. If "**There is a job which has not been printed yet. Do you want to print this job?**" appears on the touch screen, tap **Yes**.

Printing will resume, starting from the page on which the error occurred.

### • Paper not being used under the recommended usage conditions

Every paper type has different recommended conditions of use. Use all paper under its recommended usage conditions.

See the media information list for recommended usage conditions.

- ➔ Paper Information List

### • The paper in use cannot be used with Automatic cut

Set the roll paper cutting method to **User cut** and cut the roll paper with a cutting implement such as scissors.

- ➔ [Specifying the Cutting Method for Rolls](#)

See the media information list for paper types that can be used with **Automatic cut**.

- ➔ Paper Information List

If this does not apply, there may be a cutter blade malfunction.

Contact your Canon dealer for assistance.



### Cause

Paper loaded is not suitable for **Color calibration**.

### What to Do

Follow the steps below to repeat **Color calibration**.

1. Tap **OK** on the touch screen to dismiss the error.
2. Load paper suitable for **Color calibration**.

See the media information list for suitable paper.

➡ Paper Information List

Make sure the paper in the printer is the same as that in the printer media type settings. The printer will not calibrate properly if the loaded paper and media type settings are not the same.

## 4925

---

### Cause

The performance of some internal printer sensors may be affected.

### What to Do

Tap **OK** on the touch screen to stop **Color calibration**.

Contact your Canon dealer for assistance.

### Cause

The supplied paper size is not suitable for **Color calibration**.

### What to Do

Tap **OK** on the touch screen to stop **Color calibration**.

Load a paper size suitable for **Color calibration**, and then repeat **Color calibration**.

➔ [Managing Colors](#)

➔ [Performing Color Calibration](#)

## Cause

**Color calibration** may have failed for the following reasons.

- The paper for printing a test pattern is soiled. Otherwise, you have loaded colored paper.
- The printer may be exposed to strong light, such as direct sunlight, which can cause the sensors to malfunction.
- The test pattern was printed too faintly.

## What to Do

Tap **OK** on the touch screen to dismiss the error, and then take the following actions.

- Load unused paper suitable for **Color calibration**.
- Make adjustments to ensure that the printer is not exposed to strong light.
- Print a nozzle check pattern to check the print head status.

If the pattern has gaps or horizontal white lines, the print head nozzle is blocked. Clean the print head.

➔ [Checking for Nozzle Clogging](#)

## Cause

**Paper feed adjustment** may have failed for the following reasons.

- The paper for printing a test pattern is soiled. Otherwise, you have loaded colored paper.
- The printer may be exposed to strong light, such as direct sunlight, which can cause the sensors to malfunction.
- The test pattern was printed too faintly.

## What to Do

Tap **OK** on the touch screen to dismiss the error, and then take the following actions.

- Load unused paper.
- Make adjustments to ensure that the printer is not exposed to strong light.
- Print a nozzle check pattern to check the print head status.

If the pattern has gaps or horizontal white lines, the print head nozzle is blocked. Clean the print head.

➔ [Checking for Nozzle Clogging](#)

## 4932

---

### Cause

The print head cannot be calibrated because the printer is loaded with very transparent film-type paper.

### What to Do

Tap **OK** on the touch screen to dismiss the error.

We recommend calibrating the print head with a frequently used, non-film paper.

➔ [Automatic Adjustment to Straighten Lines and Colors](#)

## Cause

The print head nozzle may be blocked.

## What to Do

Follow the steps below to repeat **Print Head Alignment**.

1. Tap **OK** on the touch screen to dismiss the error.
2. Print a test pattern to check the nozzles.
  - ➔ [Checking for Nozzle Clogging](#)
3. If the nozzle is blocked, clean the print head.
  - ➔ [Cleaning the Print Head](#)
4. Repeat **Print Head Alignment**.
  - ➔ [Automatic Adjustment to Straighten Lines and Colors](#)

## Cause

The print head nozzle may be blocked.

## What to Do

Follow the steps below to repeat **Print Head Alignment**.

1. Tap **OK** on the touch screen to dismiss the error.
2. Print a test pattern to check the nozzles.
  - ➔ [Checking for Nozzle Clogging](#)
3. If the nozzle is blocked, clean the print head.
  - ➔ [Cleaning the Print Head](#)
4. Repeat **Print Head Alignment**.
  - ➔ [Automatic Adjustment to Straighten Lines and Colors](#)



## Cause

The print head nozzle may be blocked.

## What to Do

Follow the steps below to repeat **Print Head Alignment**.

1. Tap **OK** on the touch screen to dismiss the error.
2. Print a test pattern to check the nozzles.
  - ➔ [Checking for Nozzle Clogging](#)
3. If the nozzle is blocked, clean the print head.
  - ➔ [Cleaning the Print Head](#)
4. Repeat **Print Head Alignment**.
  - ➔ [Automatic Adjustment to Straighten Lines and Colors](#)

## 4950

---

### Cause

WPS (Push button method) connection failed.

### What to Do

Follow the instructions on the touch screen to try connecting to the wireless router again.

## 4951

---

### Cause

AOSS (BUFFALO) connection failed.

### What to Do

Follow the instructions on the touch screen to try connecting to the wireless router again.

## 4952

---

### Cause

Failed to connect to the wireless router.

### What to Do

Follow the instructions on the touch screen to try connecting to the wireless router again.

## 4953

---

### Cause

Failed to acquire IP address.

### What to Do

Check the information that appears on the touch screen, and then try connecting again.

## 4954

---

### Cause

Failed to set up Wi-Fi using Easy wireless connect.

### What to Do

Tap **OK** on the touch screen to dismiss the error, and then configure the settings again.

## 4955

---

### Cause

IPv4/IPv6 settings were changed, but wired LAN and Wi-Fi are disabled.

### What to Do

Tap **OK** on the touch screen to dismiss the error, and then enable wired LAN or Wi-Fi.

## 4956

---

### Cause

Attempted to change LAN settings, but they cannot be changed for the following reasons.

- Printer is operating
- Printer currently being configured using **Remote UI**

### What to Do

Tap **OK** on the touch screen to dismiss the error, exit other processes and then configure the settings again.



## 5200

---

### Cause

A printer error has occurred.

### What to Do

Turn off the power and unplug the power cord.

Wait a moment and turn the power back on.

If the error appears again, make a note of the detailed error code (ECxx-xxxx) that appears on the touch screen, and then contact a Canon customer service center.

### Detailed error codes

EC21-2F76 EC21-2F77 EC21-2F78

## 5A60

---

### Cause

A printer error has occurred.

### What to Do

Make a note of the detailed error code (ECxx-xxxx) that appears on the touch screen, and then turn off the power and unplug the power cord.

Contact your Canon dealer for assistance.

### Detailed error codes

EC33-4020 EC33-4021 EC33-4022 EC33-4023 EC33-4026 EC33-4027 EC33-4028 EC33-402A  
EC33-402B EC33-402C EC33-402E

## 5A61

---

### Cause

A printer error has occurred.

### What to Do

Make a note of the detailed error code (ECxx-xxxx) that appears on the touch screen, and then turn off the power and unplug the power cord.

Contact your Canon dealer for assistance.

### Detailed error codes

EC3F-4120 EC3F-4121 EC3F-4122 EC3F-4123 EC3F-4126 EC3F-4127 EC3F-4128 EC3F-412A  
EC3F-412B EC3F-412C EC3F-412E

## **5B10**

---

### **Cause**

A printer error has occurred.

### **What to Do**

Make a note of the detailed error code (ECxx-xxxx) that appears on the touch screen, and then turn off the power and unplug the power cord.

Contact your Canon dealer for assistance.

### **Detailed error codes**

EC4A-4001

## 5B16

---

### Cause

A printer error has occurred.

### What to Do

Make a note of the detailed error code (ECxx-xxxx) that appears on the touch screen, and then turn off the power and unplug the power cord.

Contact your Canon dealer for assistance.

### Detailed error codes

EC22-4001

## 5B20

---

### Cause

A printer error has occurred.

### What to Do

Make a note of the detailed error code (ECxx-xxxx) that appears on the touch screen, and then turn off the power and unplug the power cord.

Contact your Canon dealer for assistance.

### Detailed error codes

EC25-4001 EC41-4001 EC43-4001 EC44-4001 EC45-4001 EC47-4001

## 5B21

---

### Cause

A printer error has occurred.

### What to Do

Make a note of the detailed error code (ECxx-xxxx) that appears on the touch screen, and then turn off the power and unplug the power cord.

Contact your Canon dealer for assistance.

### Detailed error codes

EC48-4001

## 5C00

---

### Cause

A printer error has occurred.

### What to Do

Make a note of the detailed error code (ECxx-xxxx) that appears on the touch screen, and then turn off the power and unplug the power cord.

Contact your Canon dealer for assistance.

### Detailed error codes

EC31-4001



## 6502

---

### Cause

A printer error has occurred.

### What to Do

Turn off the power and unplug the power cord.

Wait a moment and turn the power back on.

If the error appears again, make a note of the detailed error code (ECxx-xxxx) that appears on the touch screen, and then contact a Canon customer service center.

### Detailed error codes

EC56-2FE0

## 6700

---

### Cause

A printer error has occurred.

### What to Do

Make a note of the detailed error code (ECxx-xxxx) that appears on the touch screen, and then turn off the power and unplug the power cord.

Contact your Canon dealer for assistance.

### Detailed error codes

EC57-404F

## 6702

---

### Cause

A printer error has occurred.

### What to Do

Make a note of the detailed error code (ECxx-xxxx) that appears on the touch screen, and then turn off the power and unplug the power cord.

Contact your Canon dealer for assistance.

### Detailed error codes

EC57-4040

## 6820

---

### Cause

A printer error has occurred.

### What to Do

Make a note of the detailed error code (ECxx-xxxx) that appears on the touch screen, and then turn off the power and unplug the power cord.

Contact your Canon dealer for assistance.

### Detailed error codes

EC07-4060 EC51-4041 EC51-4042 EC51-4045 EC51-4046 EC51-4047 EC51-404C EC51-404D  
EC51-404E EC51-4070 EC51-4071 EC51-4072

## 6900

---

### Cause

A printer error has occurred.

### What to Do

Turn off the power and unplug the power cord.

Wait a moment and turn the power back on.

If the error appears again, make a note of the detailed error code (ECxx-xxxx) that appears on the touch screen, and then contact a Canon customer service center.

### Detailed error codes

EC51-3000

## 6901

---

### Cause

A printer error has occurred.

### What to Do

Turn off the power and unplug the power cord.

Wait a moment and turn the power back on.

If the error appears again, make a note of the detailed error code (ECxx-xxxx) that appears on the touch screen, and then contact a Canon customer service center.

### Detailed error codes

EC51-3001

## 6902

---

### Cause

A printer error has occurred.

### What to Do

Turn off the power and unplug the power cord.

Wait a moment and turn the power back on.

If the error appears again, make a note of the detailed error code (ECxx-xxxx) that appears on the touch screen, and then contact a Canon customer service center.

### Detailed error codes

EC51-3006

## 6910

---

### Cause

A printer error has occurred.

### What to Do

Turn off the power and unplug the power cord.

Wait a moment and turn the power back on.

If the error appears again, make a note of the detailed error code (ECxx-xxxx) that appears on the touch screen, and then contact a Canon customer service center.

### Detailed error codes

EC51-3002



## 6911

---

### Cause

A printer error has occurred.

### What to Do

Turn off the power and unplug the power cord.

Wait a moment and turn the power back on.

If the error appears again, make a note of the detailed error code (ECxx-xxxx) that appears on the touch screen, and then contact a Canon customer service center.

### Detailed error codes

EC51-3003

## 6920

---

### Cause

A printer error has occurred.

### What to Do

Turn off the power and unplug the power cord.

Wait a moment and turn the power back on.

If the error appears again, make a note of the detailed error code (ECxx-xxxx) that appears on the touch screen, and then contact a Canon customer service center.

### Detailed error codes

EC51-3004

## 6921

---

### Cause

A printer error has occurred.

### What to Do

Turn off the power and unplug the power cord.

Wait a moment and turn the power back on.

If the error appears again, make a note of the detailed error code (ECxx-xxxx) that appears on the touch screen, and then contact a Canon customer service center.

### Detailed error codes

EC51-3005

## 6930

---

### Cause

A printer error has occurred.

### What to Do

Turn off the power and unplug the power cord.

Wait a moment and turn the power back on.

If the error appears again, make a note of the detailed error code (ECxx-xxxx) that appears on the touch screen, and then contact a Canon customer service center.

### Detailed error codes

EC51-3100

## 6931

---

### Cause

A printer error has occurred.

### What to Do

Turn off the power and unplug the power cord.

Wait a moment and turn the power back on.

If the error appears again, make a note of the detailed error code (ECxx-xxxx) that appears on the touch screen, and then contact a Canon customer service center.

### Detailed error codes

EC51-3101

## 6932

---

### Cause

A printer error has occurred.

### What to Do

Turn off the power and unplug the power cord.

Wait a moment and turn the power back on.

If the error appears again, make a note of the detailed error code (ECxx-xxxx) that appears on the touch screen, and then contact a Canon customer service center.

### Detailed error codes

EC51-3102

## 6933

---

### Cause

A printer error has occurred.

### What to Do

Turn off the power and unplug the power cord.

Wait a moment and turn the power back on.

If the error appears again, make a note of the detailed error code (ECxx-xxxx) that appears on the touch screen, and then contact a Canon customer service center.

### Detailed error codes

EC51-3103

## 6940

---

### Cause

A printer error has occurred.

### What to Do

Turn off the power and unplug the power cord.

Wait a moment and turn the power back on.

If the error appears again, make a note of the detailed error code (ECxx-xxxx) that appears on the touch screen, and then contact a Canon customer service center.

### Detailed error codes

EC51-3104



## 6941

---

### Cause

A printer error has occurred.

### What to Do

Turn off the power and unplug the power cord.

Wait a moment and turn the power back on.

If the error appears again, make a note of the detailed error code (ECxx-xxxx) that appears on the touch screen, and then contact a Canon customer service center.

### Detailed error codes

EC51-3105

## 6942

---

### Cause

A printer error has occurred.

### What to Do

Turn off the power and unplug the power cord.

Wait a moment and turn the power back on.

If the error appears again, make a note of the detailed error code (ECxx-xxxx) that appears on the touch screen, and then contact a Canon customer service center.

### Detailed error codes

EC51-3106

## 6943

---

### Cause

A printer error has occurred.

### What to Do

Turn off the power and unplug the power cord.

Wait a moment and turn the power back on.

If the error appears again, make a note of the detailed error code (ECxx-xxxx) that appears on the touch screen, and then contact a Canon customer service center.

### Detailed error codes

EC51-3107

## 6944

---

### Cause

A printer error has occurred.

### What to Do

Turn off the power and unplug the power cord.

Wait a moment and turn the power back on.

If the error appears again, make a note of the detailed error code (ECxx-xxxx) that appears on the touch screen, and then contact a Canon customer service center.

### Detailed error codes

EC51-3108

## 6945

---

### Cause

A printer error has occurred.

### What to Do

Turn off the power and unplug the power cord.

Wait a moment and turn the power back on.

If the error appears again, make a note of the detailed error code (ECxx-xxxx) that appears on the touch screen, and then contact a Canon customer service center.

### Detailed error codes

EC51-3109

## 6946

---

### Cause

A printer error has occurred.

### What to Do

Turn off the power and unplug the power cord.

Wait a moment and turn the power back on.

If the error appears again, make a note of the detailed error code (ECxx-xxxx) that appears on the touch screen, and then contact a Canon customer service center.

### Detailed error codes

EC51-3110

## 7050

---

### Cause

A printer error has occurred.

### What to Do

Make a note of the detailed error code (ECxx-xxxx) that appears on the touch screen, and then turn off the power and unplug the power cord.

Contact your Canon dealer for assistance.

### Detailed error codes

EC51-5001

## 7051

---

### Cause

A printer error has occurred.

### What to Do

Make a note of the detailed error code (ECxx-xxxx) that appears on the touch screen, and then turn off the power and unplug the power cord.

Contact your Canon dealer for assistance.

### Detailed error codes

EC51-5002



## 7052

---

### Cause

A printer error has occurred.

### What to Do

Make a note of the detailed error code (ECxx-xxxx) that appears on the touch screen, and then turn off the power and unplug the power cord.

Contact your Canon dealer for assistance.

### Detailed error codes

EC51-5003

## 8200

---

### Cause

A printer error has occurred.

### What to Do

Make a note of the detailed error code (ECxx-xxxx) that appears on the touch screen, and then turn off the power and unplug the power cord.

Contact your Canon dealer for assistance.

### Detailed error codes

EC24-4049 EC24-404A EC24-404B

## 9000

---

### Cause

A printer error has occurred.

### What to Do

Make a note of the detailed error code (ECxx-xxxx) that appears on the touch screen, and then turn off the power and unplug the power cord.

Contact your Canon dealer for assistance.

### Detailed error codes

EC51-2F07

## 9110

---

### Cause

A printer error has occurred.

### What to Do

Make a note of the detailed error code (ECxx-xxxx) that appears on the touch screen, and then turn off the power and unplug the power cord.

Contact your Canon dealer for assistance.

### Detailed error codes

EC52-4038 EC52-4039

## **B20A**

---

### **Cause**

A printer error has occurred.

### **What to Do**

Make a note of the detailed error code (ECxx-xxxx) that appears on the touch screen, and then turn off the power and unplug the power cord.

Contact your Canon dealer for assistance.

### **Detailed error codes**

EC03-403A EC03-403B

## **B510**

---

### **Cause**

A printer error has occurred.

### **What to Do**

Make a note of the detailed error code (ECxx-xxxx) that appears on the touch screen, and then turn off the power and unplug the power cord.

Contact your Canon dealer for assistance.

### **Detailed error codes**

EC32-4001