

Pro7411WT

OKI



User's Guide



PREFACE

Every effort has been made to ensure that the information in this document is complete, accurate, and up-to-date. The manufacturer assumes no responsibility for the results of errors beyond its control. The manufacturer also cannot guarantee that changes in software and equipment made by other manufacturers and referred to in this guide will not affect the applicability of the information in it. Mention of software products manufactured by other companies does not necessarily constitute endorsement by the manufacturer.

While all reasonable efforts have been made to make this document as accurate and helpful as possible, we make no warranty of any kind, expressed or implied, as to the accuracy or completeness of the information contained herein.

The most up-to-date drivers and manuals are available from:

<http://www.okiprintingsolutions.com>

Copyright © 2016. All rights reserved.

OKI is a registered trademark of Oki Electric Industry Co., Ltd.

Oki Printing Solutions is a registered trademark of Oki Data Corporation.

Microsoft, MS-DOS and Windows are registered trademarks of Microsoft Corporation.

Apple, Macintosh, Mac and Mac OS are registered trademarks of Apple Inc.

Other product names and brand names are registered trademarks or trademarks of their proprietors.



This product complies with the requirements of the Council Directives 2004/108/EC (EMC), 2006/95/EC (LVD), 1999/5/EC (R&TTE), 2009/125/EC (ErP) and 2011/65/EU (RoHS), as amended where applicable, on the approximation of the laws of the member states relating to Electromagnetic Compatibility, Low Voltage, Radio & Telecommunications Terminal Equipment, Energy related Products and Restriction on the use of certain Hazardous Substances in electrical and electronic equipment.

The following cables were used to evaluate this product to achieve EMC directive 2004/108/EC compliance and configurations other than this may affect that compliance.

CABLE TYPE	LENGTH (METRE)	CORE	SHIELD
Power	1.8	x	x
USB	5.0	x	✓
Parallel	1.8	x	✓
LAN	15.0	x	x

EMERGENCY FIRST AID

Take care with toner powder:

If swallowed, give small amounts of cold water and seek medical attention. DO NOT attempt to induce vomiting.



If inhaled, move the person to an open area for fresh air. Seek medical attention.

If it gets into the eyes, flush with large amounts of water for at least 15 minutes keeping eyelids open. Seek medical attention.

Spillages should be treated with cold water and soap to help reduce risk of staining skin or clothing.

MANUFACTURER

Oki Data Corporation,
4-11-22 Shibaura, Minato-ku,
Tokyo 108-8551,
Japan

IMPORTER TO THE EU/AUTHORISED REPRESENTATIVE

Oki Europe Limited

Blays House
Wick Road
Egham
Surrey, TW20 0HJ
United Kingdom

For all sales, support and general enquiries contact your local distributor.

ENVIRONMENTAL INFORMATION



CONTENTS

Preface	2
Emergency first aid	3
Manufacturer	3
Importer to the EU/authorised representative	3
Environmental information	3
Contents	4
Notes, cautions and warnings	6
About this guide	7
Documentation suite	7
What this book describes	7
On-line usage	8
Printing pages	8
Introduction	9
Printer overview	10
Front view	10
Rear view	11
Changing the display language	12
Getting started	12
Power saving mode	12
Switching off	12
Paper recommendations	13
Cassette trays	13
Multi purpose tray	13
Face down stacker	13
Face up stacker	14
Loading paper	15
Cassette trays	15
Multi purpose tray	18
How to access the driver screens	19
Printing preferences in Windows applications	20
Postscript emulation	20
Changing the driver defaults	21
Changing the application's driver settings	21
Setting the driver device options	22
Windows	22
Mac OS X	22
Color setting	23
Color Mode	23
Color Print	23
Gray Scale (White) Print	25
Print Mode	26
White On	26
White Off	26
Finishing options	28
Collating	29
Windows	30
Mac OS X	30
Separating queued print jobs	31
Windows separator page	31
Mac OS X cover page	31

Cover print32
Mac OS X32
Custom page size33
Windows PostScript33
Mac OS X34
Printing multiple pages on one sheet (n-up)35
Windows PostScript35
Mac OS X36
Scale to page37
Mac OS X37
Transfer/transparency film printing38
Windows38
Mac OS X39
How to print with application setting40
Adobe Photoshop40
Adobe Illustrator41
Menu functions42
Operator panel:42
How to change the settings - user43
How to change the settings - administrator43
Configuration menu44
Print information menu45
Shutdown menu45
Menus46
Admin setup49
Calibration54
Boot menu55
Maintenance57
Replacing consumable items57
Toner cartridge replacement57
Image drum replacement60
Replacing the transfer belt unit63
Fuser replacement65
Cleaning67
...the unit casing67
...the LED head67
...the paper feed rollers68
Installing upgrades69
Memory upgrade69
Additional paper tray(s)72
Setting the driver device options73
Windows73
Mac OS X73
Storage cabinet73
Troubleshooting74
Major printer components and paper path74
Paper sensor error codes75
Clearing paper jams76
Specifications82
Index83
Oki contact details84

NOTES, CAUTIONS AND WARNINGS

NOTE

A note provides additional information to supplement the main text.

CAUTION!

A caution provides additional information which, if ignored, may result in equipment malfunction or damage.

WARNING!

A warning provides additional information which, if ignored, may result in a risk of personal injury.

For the protection of your product, and in order to ensure that you benefit from its full functionality, this model has been designed to operate only with genuine original toner cartridges. Any other toner cartridge may not operate at all, even if it is described as "compatible", and if it does work, your product's performance and print quality may be degraded.

Use of non-genuine products may invalidate your warranty.

Specifications subject to change without notice. All trademarks acknowledged.

ABOUT THIS GUIDE

NOTE

Images used in this manual may include optional features that your product does not have installed.

DOCUMENTATION SUITE

This guide is part of a suite of online and printed documentation provided to help you become familiar with your product and to make the best use of its many powerful features. The documentation is summarised below for reference and is found on the software CD unless indicated otherwise:

- > **Installation Safety booklet:** provides information for safe use of your product.
This is a paper document that is packaged with the product and should be read before setting up your machine.
- > **Set-up guide:** describes how to unpack, connect and turn on your product.
This is a paper document that is packaged with the product.
- > **User's Guide:** helps you become familiar with your product and make the best use of its many features. Also included are guidelines for troubleshooting and maintenance to ensure that it performs at its best. Additionally, information is provided for adding optional accessories as your printing needs evolve. And helps you become familiar with the many features of the driver software supplied with your product.
- > **Network Guide:** helps you become familiar with the functionality of the built in network interface card.
- > **Installation Guides:** accompany consumable items and optional accessories to describe how to install them.
These are paper documents that are packaged with the consumables and optional accessories.
- > **On-line Help:** on-line information accessible from the printer driver and utility software.

WHAT THIS BOOK DESCRIBES

This book provides a convenient on-screen reference to the many features of the driver software supplied with your machine.

Where possible the instructions for both Windows and Mac operating systems have been combined, where there is a significant difference these have been split out and described individually.


NOTE

Terminology may vary between operating systems. Windows use tabbed dialogue boxes, whereas Mac OS X uses pop-up menus. For consistency throughout this manual we will refer to tabs.

ON-LINE USAGE

This guide is intended to be read on screen using Adobe Reader. Use the navigation and viewing tools provided in Adobe Reader.

There are many cross-references within this book, each highlighted as [blue text](#). When you click on a cross-reference the display will instantly jump to the part of the manual containing the referenced material.

By using the  button in Adobe Reader, you can navigate directly back to where you were before.

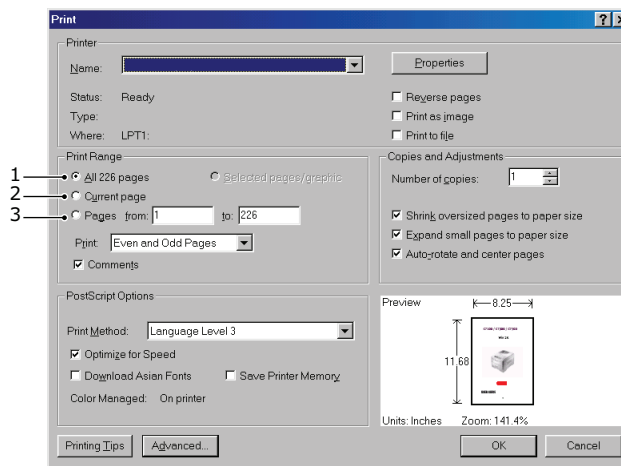
You can access specific information in two ways:

- > In the list of bookmarks down the left hand side of your screen, click on the topic of interest to jump to the required topic. (If the bookmarks are not available, use the ["Contents"](#) on page 4.)
- > In the list of bookmarks, click on Index to jump to the Index. (If the bookmarks are not available, use the ["Contents"](#) on page 4.) Find the term of interest in the alphabetically arranged index and click on the associated page number to jump to the page containing the term.

PRINTING PAGES

The whole manual, individual pages, or sections may be printed. The procedure is:

1. From the toolbar, select **File > Print** (or press the **Ctrl + P** keys).
2. Choose which pages you wish to print:
 - (a) **All pages**, (1), for the entire manual.
 - (b) **Current page**, (2), for the page at which you are looking.



- (c) **Pages from and to**, (3), for the range of pages you specify by entering their page numbers.
- (d) Click **OK**.

INTRODUCTION

Congratulations on choosing this colour printer.

Your printer includes these features:

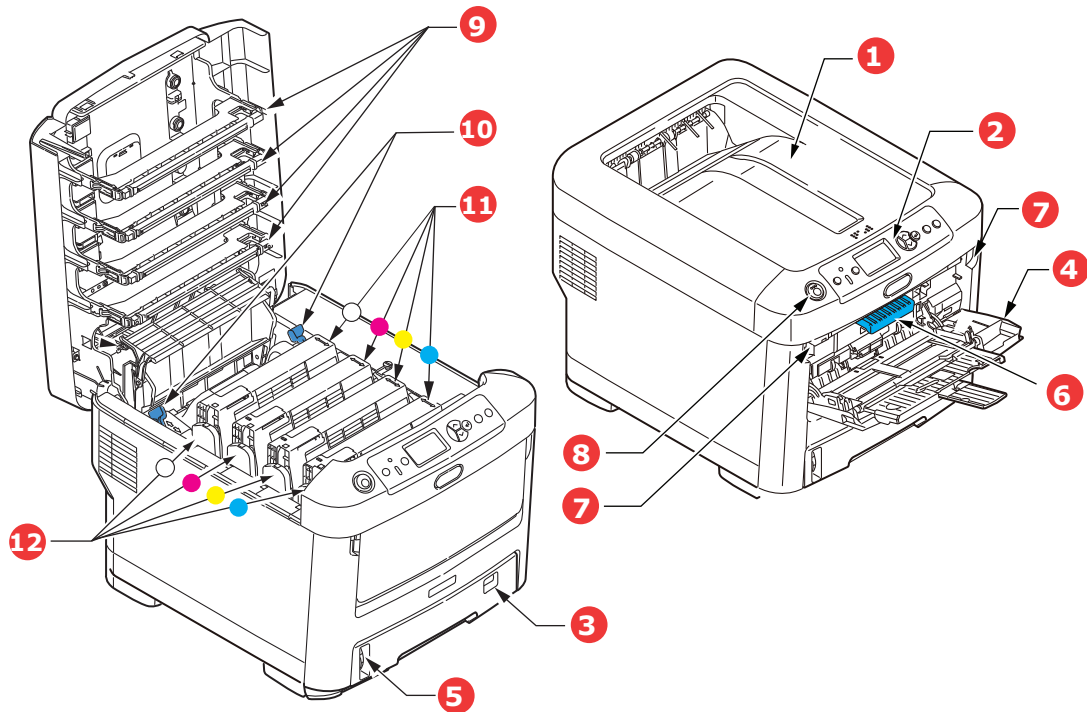
- > ProQ/High Quality, multi-level technology produces subtler tones and smoother gradations of colour to lend photographic quality to your documents.
- > 600 x 600, 1200 x 600 dpi (dots per inch) and ProQ2400 print resolution for high quality image production showing the finest detail.
- > Internet Protocol version 6 (IPv6).
- > Single Pass colour Digital LED technology for high speed processing of your printed pages.
- > PostScript 3 emulations.
- > 10Base-T and 100Base-TX network connection lets you share this valuable resource among users on your office network.

Additionally, the following optional features are also available:

- > Additional paper tray for loading a further 530 sheets to minimise operator intervention, or different paper stocks for letterhead stationery, alternative paper sizes or other print media.
- > Additional memory allows printing of more complex pages.
- > Storage Cabinet.

PRINTER OVERVIEW

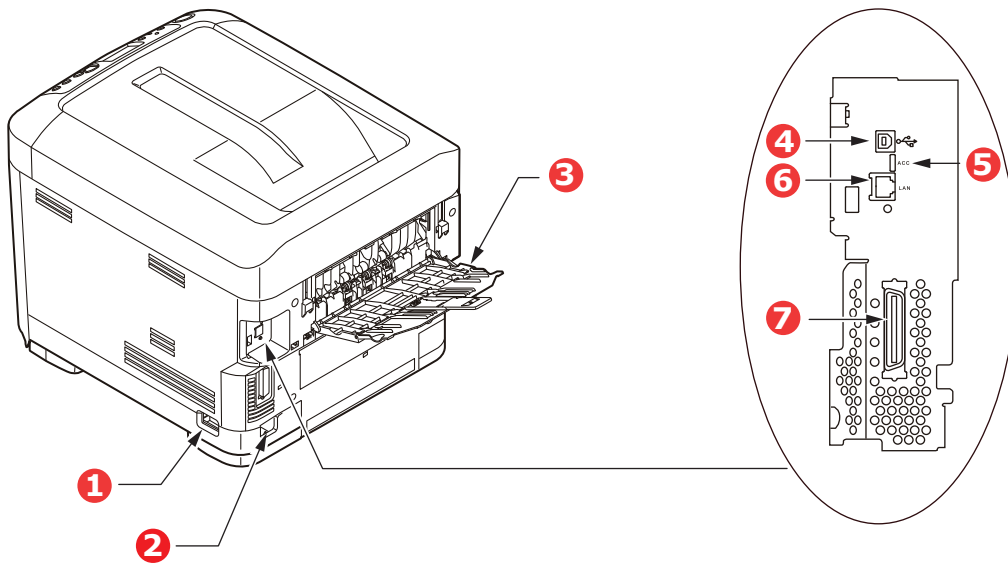
FRONT VIEW



1. Output stacker, face down.
Standard printed copy delivery point. Holds up to 350 sheets at 80g/m².
2. Operator panel.
Menu driven operator controls and LCD panel^a.
3. Paper tray.
Standard paper tray. Holds up to 530 sheets of 80g/m² paper.
4. Multi purpose tray.
Used for feeding heavier paper stocks, transparency and transfer media. Also for manual feeding of single sheets when required.
 - a. The display language can be changed to show different languages. (See "Changing the display language" on page 12.)
5. Paper level indicator.
6. Front cover release lever.
7. Multi-purpose tray release recess.
8. Top cover release button.
9. LED heads.
10. Fuser release levers.
11. Toner cartridges (C,M,Y,W).
12. ID units (C,M,Y,W).

REAR VIEW

This view shows the connection panel, the rear output stacker.



1. ON/OFF switch.
 2. AC power socket.
 3. Rear, face up stacker.
 4. USB interface.
 5. ACC interface (host USB).
 6. Network interface.^a
 7. Parallel interface.
- a. The Network Interface may have a protective "plug" which must be removed before connection can be made.

When the rear paper stacker is folded down paper exits the printer through the rear of the printer and is stacked here face up. This is mainly used for heavy print media and transparency/transfer media. When used in conjunction with the multi purpose feed tray, the paper path through the printer is essentially straight. This avoids bending the paper around curves in the paper path and enables feeding of up to 250g/m² media.

CHANGING THE DISPLAY LANGUAGE

The default language used by your machine for display messages is English. If required, this can be changed using the Panel Language Set-up utility.

GETTING STARTED

POWER SAVING MODE

If you do not use the machine for a while, it will enter the power saving mode to control the power consumption of the device. To cancel or initiate power saving mode, press the **Power Save/Wake Up** button on the control panel.

NOTE

If your machine is connected locally (via USB or parallel), when it transitions to Sleep mode its status is viewed as off-line. To use the printer in this state, you must press the **Power Save/Wake Up** button to exit sleep mode.*

SWITCHING OFF

1. Press the **Enter** button on the control panel to enter the menu.
2. Press the **Menu down** button and scroll to the Shutdown menu.
3. Press the **Enter** button.
4. Press the **Enter** button to continue.
5. Press the **Enter** button to execute.
6. At the prompt, turn the power switch OFF.

PAPER RECOMMENDATIONS

Your printer will handle a variety of print media, including a range of paper weights and sizes, transparency and transfer media. This section provides general advice on choice of media, and explains how to use each type.

The best performance will be obtained when using standard 75~90g/m² paper designed for use in copiers and laser printers. Suitable types are:

- > M-Real Data Copy Everyday 80g/m²
- > Color Copy by Mondi 90g/m²

Use of heavily embossed or very rough textured paper is not recommended.

CASSETTE TRAYS

SIZE	DIMENSIONS	WEIGHT (G/M ²)	
A6 ^a	105 x 148mm	Light	64 - 74g/m ²
A5	148 x 210mm	Medium Light	75 - 82g/m ²
B5	182 x 257mm	Medium	83 - 104g/m ²
Executive	184.2 x 266.7mm	Heavy	105 - 120g/m ²
A4	210 x 297mm	Ultra heavy1	121 - 188g/m ²
Letter	215.9 x 279.4mm	Ultra heavy2	189 - 220g/m ²
Legal 13in.	215.9 x 330.2mm	Ultra heavy3	221 - 250g/m ²
Legal 13.5in.	215.9 x 342.9mm		
Legal 14in.	215.9 x 355.6mm	Tray 1/2/3:	64 - 220g/m ²
		MP Tray:	64 - 250g/m ²

- a. A6 printing from the MP Tray only.

If you have identical paper stock loaded in another tray (2nd or 3rd tray if you have one, or multi purpose tray) you can set the printer to automatically switch to the other tray when the current tray runs out of paper. When printing from Windows applications, this function is enabled in the driver settings. When printing from other systems, this function is enabled in the Print Menu. ([See "Menu functions" on page 42.](#))

MULTI PURPOSE TRAY

The multi purpose tray can handle the same sizes as the cassette trays but in weights up to 250g/m². For very heavy paper stock use the face up (rear) paper stacker. This ensures that the paper path through the printer is almost straight.

The multi purpose tray can feed paper widths from 76mm to 215.9mm and lengths from 127.0mm to 356mm.

For paper lengths exceeding 356mm (Legal 14in.) use paper stock between 90g/m² and 128g/m² and the face up (rear) paper stacker.

FACE DOWN STACKER

The face down stacker on the top of the printer can hold up to 350 sheets of 80g/m² standard paper, and can handle paper stocks up to 188g/m².

Pages printed in reading order (page 1 first) will be sorted in reading order (last page on top, facing down).

FACE UP STACKER

The face up stacker at the rear of the printer should be opened and the tray extension pulled out when required for use. In this condition paper will exit via this path, regardless of driver settings.

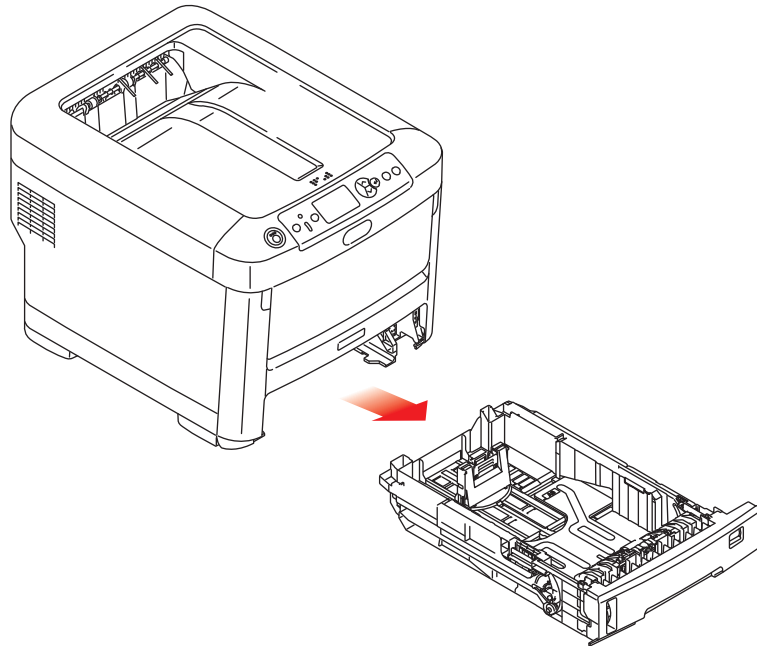
The face up stacker can hold up to 100 sheets of 80g/m² standard paper, and can handle stocks up to 250g/m².

Always use this stacker and the multi purpose feeder for paper stocks heavier than 188g/m².

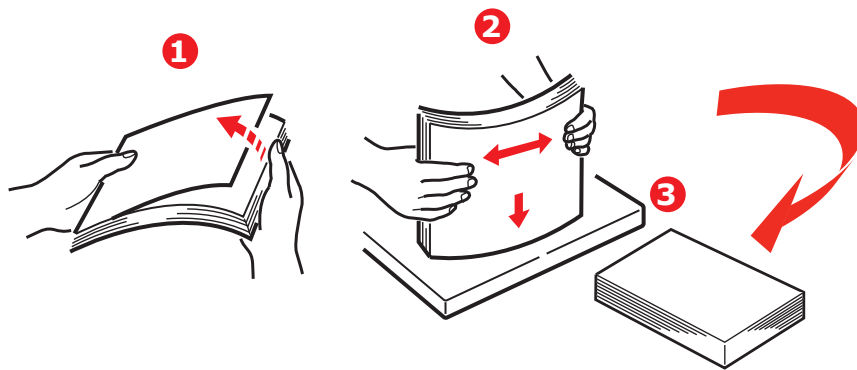
LOADING PAPER

CASSETTE TRAYS

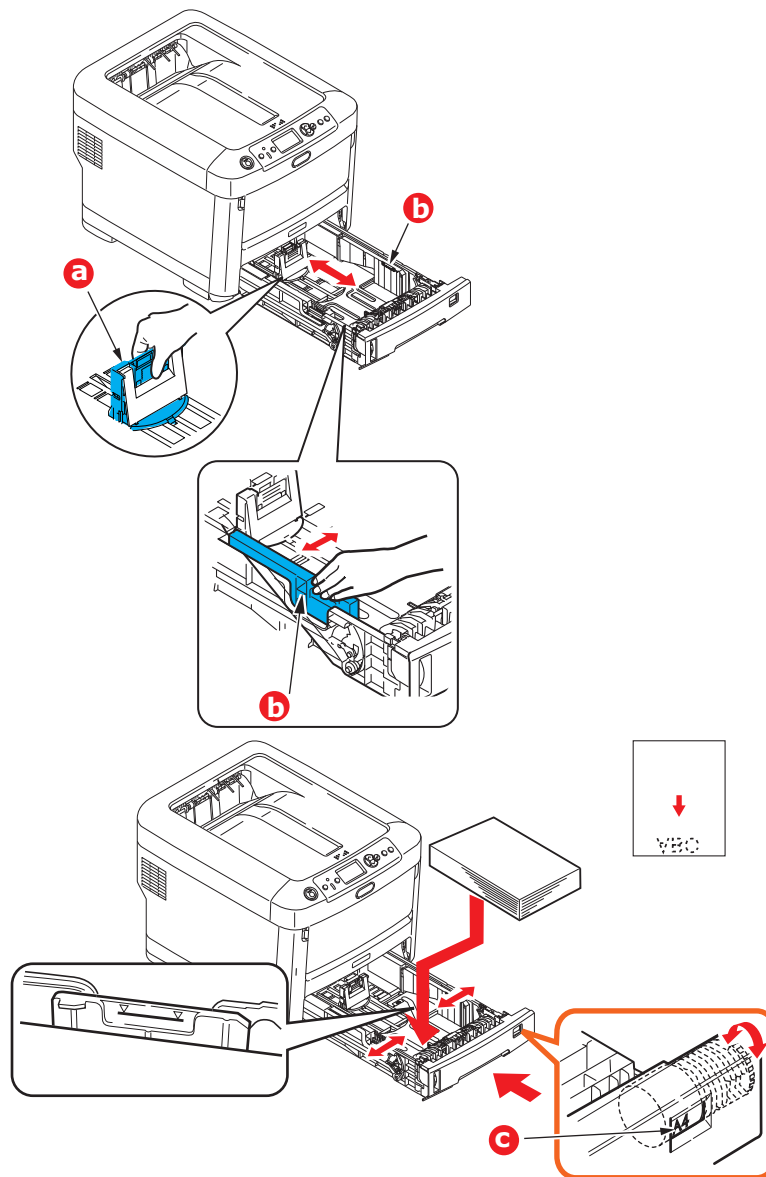
1. Remove the paper tray from the printer.



2. Fan the paper to be loaded at the edges (1) and in the middle (2) to ensure that all sheets are properly separated, then tap the edges of the stack on a flat surface to make it flush again (3).



3. Load paper (letter headed paper face down and top edge towards the front of the printer), as shown.



- > Adjust the rear stopper (a) and paper guides (b) to the size of paper being used.

CAUTION!

IMPORTANT: Set paper size dial (c) to the size of paper being used (A4 in the above example).

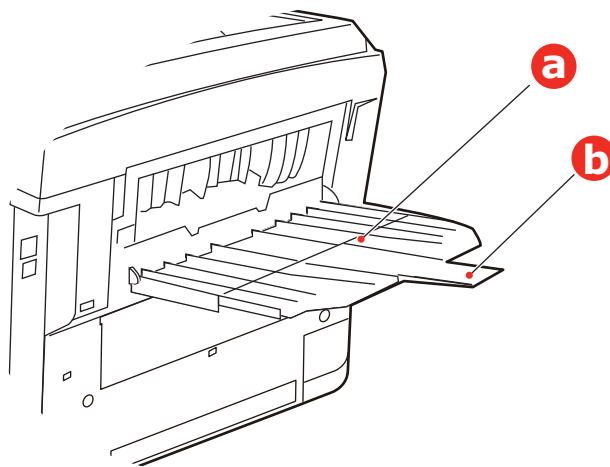
To prevent paper jams:

- > Do not leave space between the paper and the guides and rear stopper.
- > Do not overfill the paper tray. Capacity depends on the type of paper stock.
- > Do not load damaged paper.
- > Do not load paper of different sizes or types at the same time.
- > Close the paper tray gently.

- > Do not pull the paper tray out during printing (except as described below for the 2nd tray).

NOTE

- > If you have two trays and you are printing from the 1st (upper) tray, you can pull out the 2nd (lower) tray during printing to reload it. However, if you are printing from the 2nd (lower) tray, do not pull out the 1st (upper) tray. This will cause a paper jam.
 - > For face down printing, make sure the face up (rear) stacker (a) is closed (the paper exits from the top of the printer). Stacking capacity is approximately 350 sheets, depending on paper weight.
 - > For face up printing, make sure the face up (rear) stacker (a) is open and the paper support (b) is extended. Paper is stacked in reverse order and tray capacity is approximately 100 sheets, depending on paper weight.
 - > Always use the face up (rear) stacker for heavy paper (card stock, etc.).
-

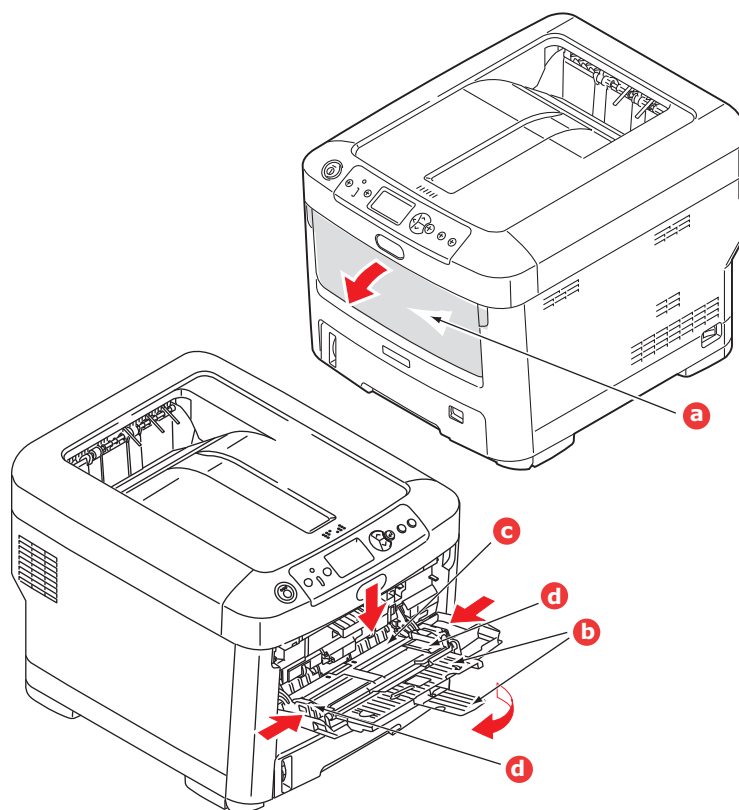


CAUTION!

Do not open or close the rear paper exit while printing as it may result in a paper jam.

MULTI PURPOSE TRAY

1. Open the multi purpose tray (a).
2. Fold out the paper supports (b).



3. Press gently down on the paper platform (c) to ensure it is latched down.
4. Load the paper and adjust the paper guides (d) to the size of paper being used.
 - > For single-sided printing on headed paper load the paper into the multi purpose tray with pre-printed side up and top edge into the printer.
 - > Transparency and transfer media should be loaded face up into the printer.
 - > Do not exceed the plain paper capacity of about 100 sheets. Maximum stacking depth is 10mm.
5. Press the tray latch button inwards to release the paper platform, so that the paper is lifted and gripped in place.
6. Set the correct paper size for the multi purpose tray in the Media Menu. (See "Menu functions" on page 42.)

HOW TO ACCESS THE DRIVER SCREENS

Most of the features described are accessed via the printer driver screens. How you access them depends on your computer and its operating system.

The driver windows are dialogue boxes offering a wide range of choices about how you want to print your documents. Within Windows these dialogue boxes are tabbed, within Mac the dialogue boxes use pop-up menus.

NOTE

Example driver screenshots are used throughout this manual and as such may not represent the driver screens for your machine. Some of the features shown on the example screenshots may not be available on your machine.

There are two ways to access the driver features from within Windows:

1. Directly from the Windows "Printers" folder ("Printers and Faxes" folder in Windows Vista, "Devices and Printers" folder in Windows 7).

If you choose this method any changes you make will become the driver defaults. This means they will remain active for all your applications unless you specifically change them from within the application's Print dialogue.

2. From your application's Print dialogue.

If you choose this method any changes you make will usually only last for as long as the particular application is running, or until you change them again. In most cases, once you quit the application the driver defaults will return.

NOTE

*Settings made from the printer's own control panel are the **printer defaults**. They determine how your printer will behave unless you specify otherwise from your computer.*

*The **driver defaults** override the printer defaults.*

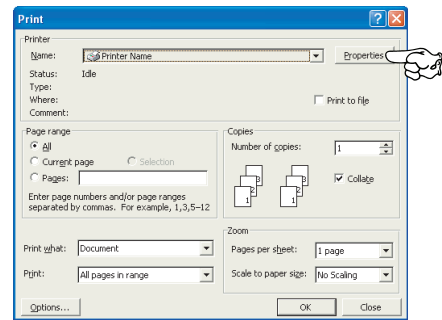
***Application Print settings** override both the printer defaults and the driver defaults.*

PRINTING PREFERENCES IN WINDOWS APPLICATIONS

When you choose to print your document from a Windows application program a print dialogue box appears. This dialogue usually specifies the name of the printer on which you will print your document. Next to the printer name is a **Properties** button.

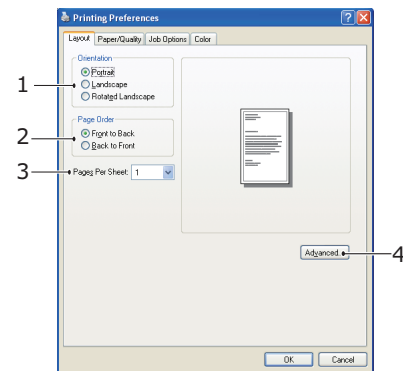
When you click **Properties** a new window opens which contains a short list of the printer settings available in the driver, which you can choose for this document.

The window which opens when you click **Properties** depends on which printer driver has been installed.



POSTSCRIPT EMULATION

1. Page orientation sets portrait (tall) or landscape (wide) page orientation. The "rotated" rotates the paper through 90 degrees anticlockwise.
2. Pages can be printed in forward or reverse order. If using the face down (top) paper stacker, forward order is usually appropriate to ensure that pages are stacked in numerical order. If using the face up (rear) paper stacker, reverse order would normally stack your pages in numerical order.
3. You can specify how many pages to print on a sheet. Pages will be scaled to fit the number you choose.
4. Advanced options are also available, such as how to download TrueType fonts, and whether advanced options such as booklet printing are available.



The printer driver contains extensive on-line help for these items to help you make the most appropriate choices.

CHANGING THE DRIVER DEFAULTS

Windows Vista

1. Click **Start > Control Panel > Printers** to open the Printers and Faxes window.
2. In the Printers and Faxes window, right-click on the appropriate printer driver icon, and choose **Printing Preferences** from the context menu.

Windows 7

1. Click **Start > Devices and Printers** to open the Devices and Printers window.
2. In the Devices and Printers window, right-click on the appropriate printer driver icon, and choose **Printing Preferences** from the context menu.

CHANGING THE APPLICATION'S DRIVER SETTINGS

Windows

1. In your application, open the file you want to print.
2. On the **File** menu, choose **Print...**
3. In the application's Print dialogue, make sure the printer shown is the appropriate one, and click **Properties**.

Mac

1. In your application, open the file you want to print.
2. On the **File** menu, choose **Print...**
3. In the application's **Print** dialogue, make sure the printer shown is the appropriate one, and click **Printer:**.

SETTING THE DRIVER DEVICE OPTIONS

This section explains how to ensure that your printer driver can utilize all of the hardware features installed in your printer.

Accessories such as additional paper trays will only be usable if the printer driver on your computer knows they are there.

In some cases the hardware configuration of your printer is automatically detected when the driver is installed. However, it is advisable to at least check whether all of the available hardware features are listed in the driver.

This procedure is essential if you subsequently add extra hardware features to your printer after the drivers have been installed and set up.

Remember that if your machine is shared between users on different computers, the driver must be adjusted on each user's machine.

WINDOWS

1. Access the driver's **Properties** window. (See ["Changing the driver defaults" on page 21.](#))
2. Select the **Device Options** tab.
3. Set the options for any devices you have installed, including the correct number of paper trays, high capacity feeder, etc.
4. Click **OK** to close the window and save your changes.

MAC OS X

1. Open the Printer Setup Utility and ensure that your printer model is selected.
2. Choose **Printers > Show Info > Installable Options**.
3. Select all hardware options appropriate to your printer, and click **Apply Changes**.

COLOR SETTING

COLOR MODE

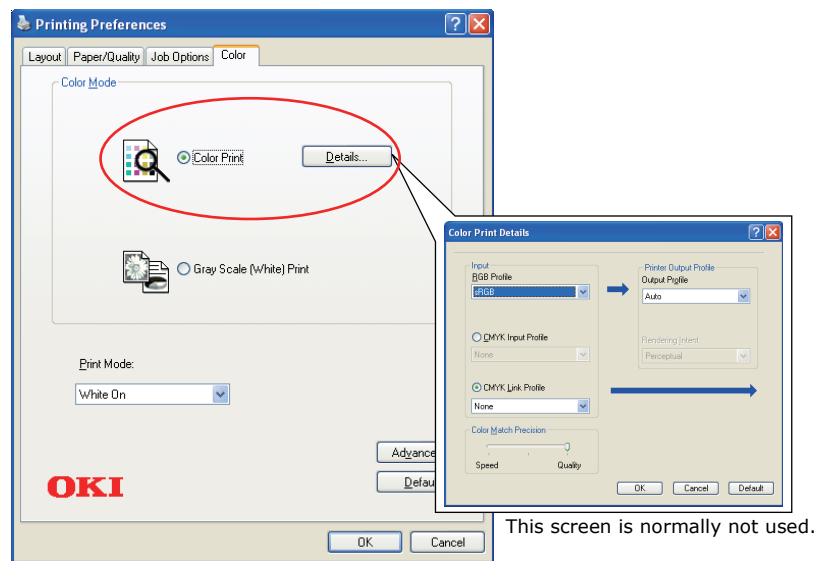
You can select **Color Print** or **Gray Scale (White) Print** for the color mode.

COLOR PRINT

Select this when printing in color.

Windows

1. On the print dialog box, click the **Color** tab.
2. Under **Color Mode**, select **Color Print**.



This screen is normally not used.

Color Print Details

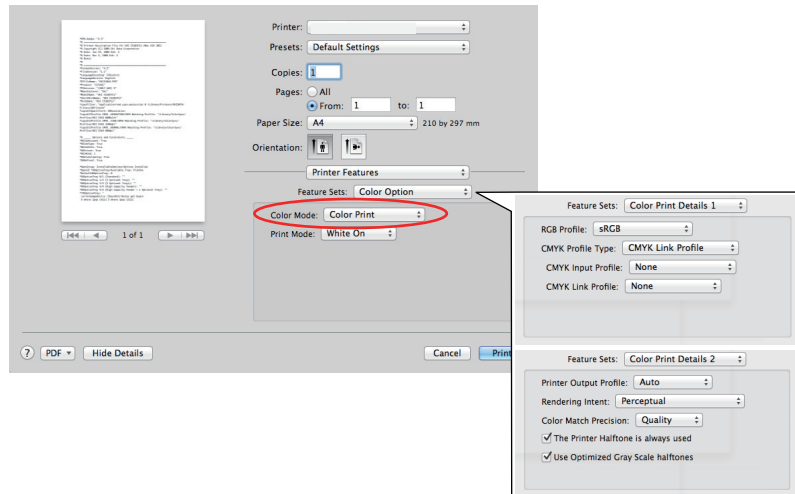
This screen is normally not used.

Your printer performs color matching by using an ICC profile. However, you cannot specify input and output profiles by downloading a specific ICC profile, as your printer uses a special link profile which considers the use of white toner.

Use the built-in color matching function of your application when you need to specify an input profile for color matching.

Mac OS X

1. On the print dialog box, select the **Printer Features** panel.
2. From the **Feature Sets** menu, select **Color Option**.
3. From **Color Mode**, select **Color Print**.



This screen is normally not used.

Color Print Details 1,2 panel

This screen is normally not used.

Your printer performs color matching by using an ICC profile. However, you cannot specify input and output profiles by downloading a specific ICC profile, as your printer uses a special link profile which considers the use of white toner.

Use the built-in color matching function of your application when you need to specify an input profile for color matching.

GRAY SCALE (WHITE) PRINT

Select this when printing documents using only white toner without using CMY toner.

NOTE

To use this setting, you need to create data as gray scale data in an application. Save data with the gray scale or monochrome mode. The color data cannot be converted to Gray Scale (White) Print automatically.

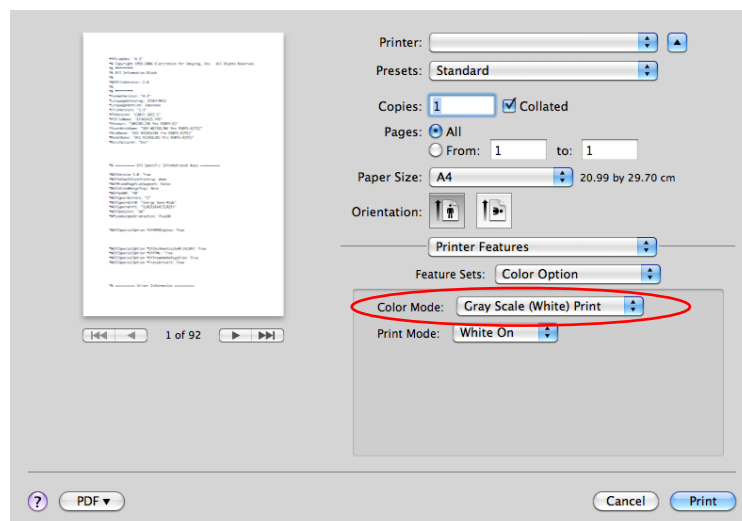
Windows

1. On the print dialog box, click the **Color** tab.
2. Under **Color Mode**, select **Gray Scale (White) Print**.



Mac OS X

1. On the print dialog box, select the **Printer Features** panel.
2. From the **Feature Sets** menu, select **Color Option**.
3. From **Color Mode**, select **Gray Scale (White) Print**.



PRINT MODE

You can specify whether to use white toner for printing when **Color Print** is selected.

WHITE ON

Selecting this prints documents using white toner. The object whose color is explicitly set to white is printed with white toner. **White On** is used when the background color of print media is not white.

WHITE OFF

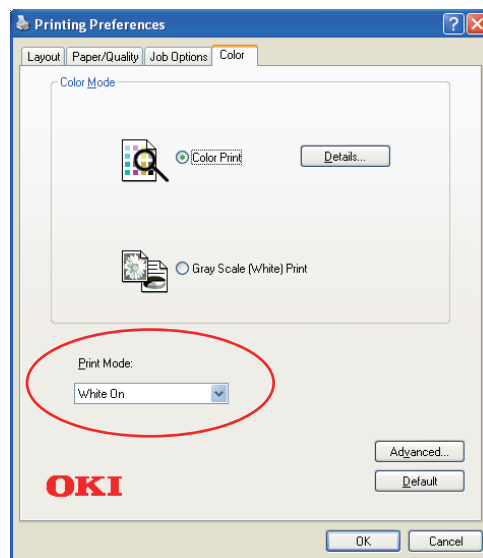
Selecting this prints documents without using white toner. The white toner is not used for the object whose color is explicitly set to white. **White Off** is used when the background color of print media is white.

NOTE

When **Gray Scale (White) Print** is selected, white toner is used regardless of the **Print Mode** setting.

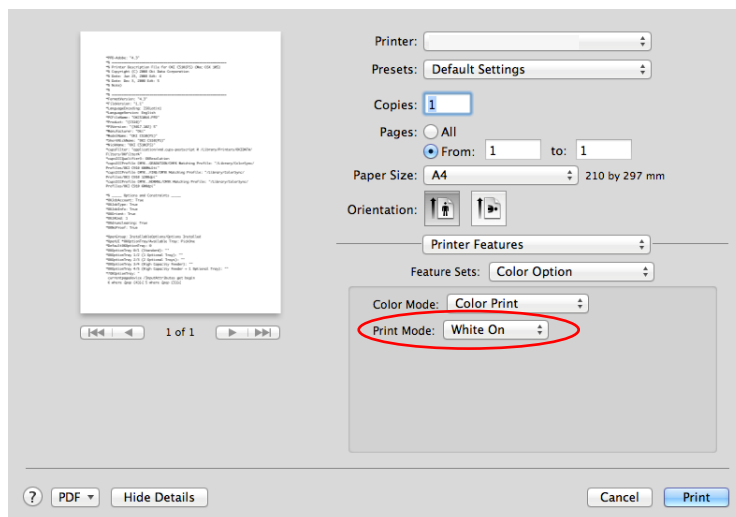
Windows

1. On the print dialog box, click the **Color** tab.
2. From **Print Mode**, select your preferred setting.



Mac OS X

1. On the print dialog box, select the **Printer Features** panel.
2. From the **Feature Sets** menu, select **Color Option**.
3. From **Print Mode**, select your preferred setting.



FINISHING OPTIONS

Your printer offers a wide selection of document finishing options that help you to control the final form of your printed document.

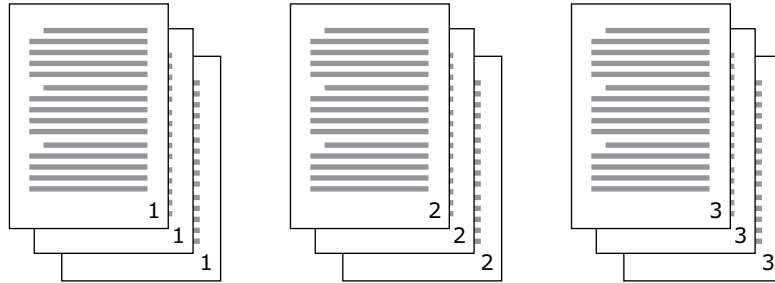
For detailed information on finishing options see:

- > ["Collating" on page 29](#)
- > ["Separating queued print jobs" on page 31](#)
- > ["Cover print" on page 32](#)
- > ["Custom page size" on page 33](#)
- > ["Printing multiple pages on one sheet \(n-up\)" on page 35](#)
- > ["Scale to page" on page 37](#)
- > ["Transfer/transparency film printing" on page 38](#)

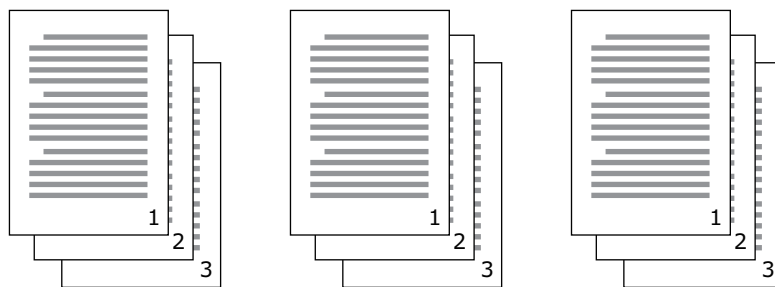
COLLATING

This feature allows multiple copies of a multipage document to be printed with the pages of each copy in sequence.

Uncollated pages print like this



Collated pages print like this



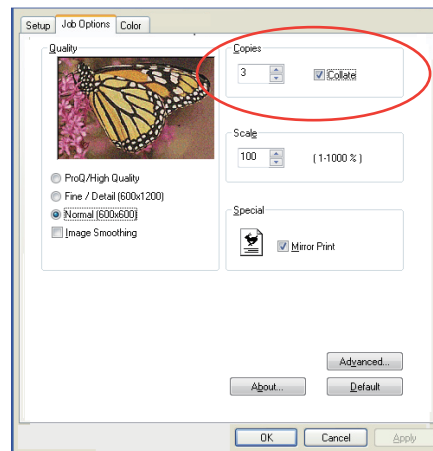
Application collate—Some application programs have a collate feature in their print options. In this case the application performs the document collation and may send the job multiple times to the printer. Generally, this method is slower but can be more reliable.

Printer collate—This section describes the collate function built into the printer driver. In this case the job is stored temporarily in printer memory, and the printer performs collation. This method is normally faster, but may not work from all applications.

If you experience problems using printer collate, use the collate option in your application's print options instead.

WINDOWS

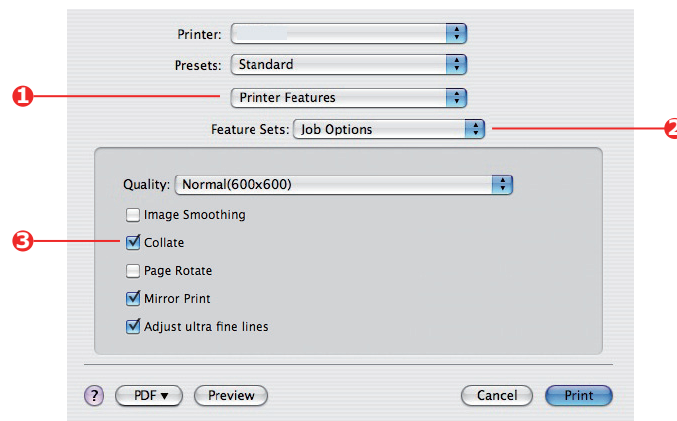
1. In the **Job Options** tab, choose how many **copies** you want to print from the scrolling list.



2. Click the **Collate** checkbox.

MAC OS X

1. Select **Printer Features** (1).



2. From the **Feature Sets** menu (2), select **Job Options**.
3. Select the **Collate** checkbox (3) to enable printer collate.

NOTE

The **Collate** option in the **Copies & Pages** dialogue is for application collate. [See page 29.](#)

SEPARATING QUEUED PRINT JOBS

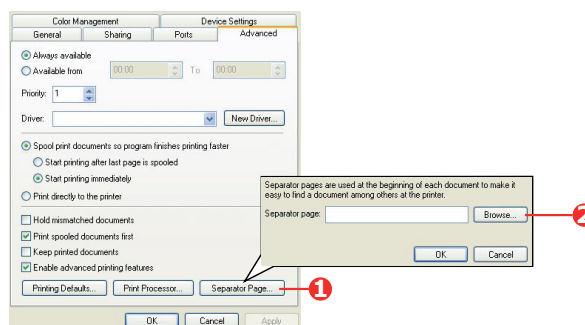
When you share a printer with other users it can be useful to print a special page between print jobs to help locate each user's job in a paper stack at the printer. In Windows this page is called a "separator page". On the Mac it is called a "cover page".

NOTE

Do not confuse Cover Page with "Cover Print". Cover Print is when the first page (cover) of a print job is fed from one paper tray, and the remaining pages of the print job are fed from a different tray. See "Cover print" on page 32.

WINDOWS SEPARATOR PAGE

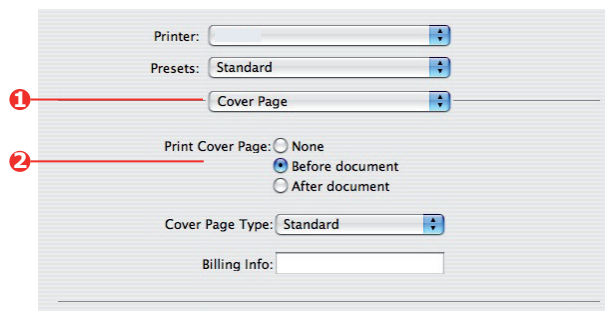
The separator page is set from the printer driver's default properties window. Access to this is directly from Windows, not from within your application program. See "Changing the driver defaults" on page 21.



1. In the driver's Advanced tab click the **Separator Page...** button (1).
2. Click **Browse** (2) and navigate to a file containing an image of the separator page you wish to use, then click **OK**.

MAC OS X COVER PAGE

The cover page is accessed from your application's print dialogue.



1. Select **Cover Page** (1).
2. Select the required options for the cover page (2).

COVER PRINT

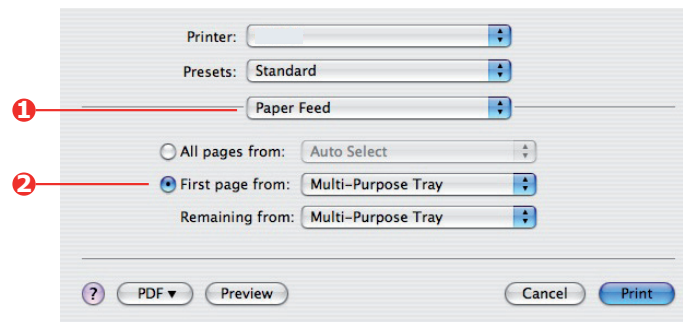
Cover print is when the first page (cover) of a print job is fed from one paper tray, and the remaining pages of the print job are fed from another paper tray.

This feature is not available in the Windows PostScript Drivers.

Do not confuse Cover Print with "Cover Page". A Cover Page is an identification sheet inserted between the print jobs of a network printer. See ["Separating queued print jobs" on page 31](#).

MAC OS X

1. Select **Paper Feed** (1).



2. Select the trays or paper types you wish to use for the first page and remaining pages (2).

CUSTOM PAGE SIZE

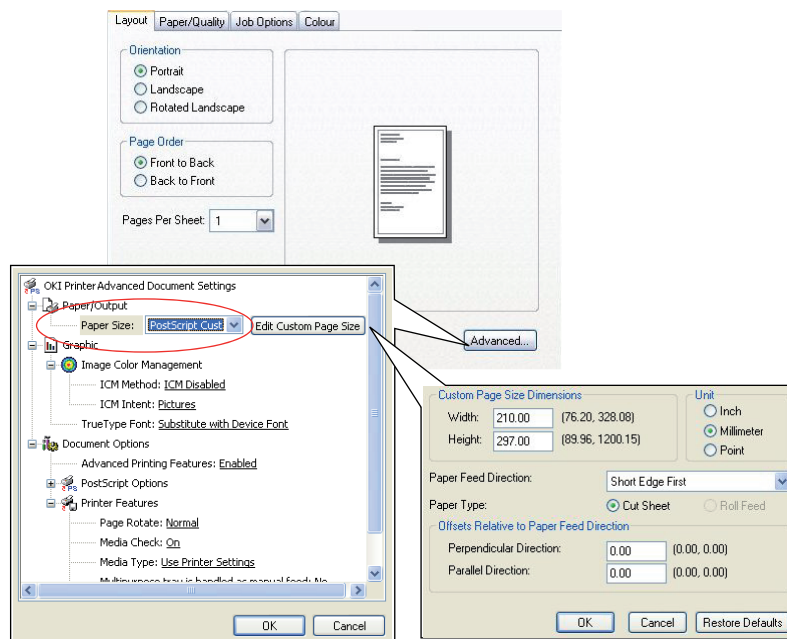
This feature enables printing on non-standard sized print media.

The multipurpose tray is used for feeding non-standard media sizes. Print media width can be from approximately 64mm to 216mm, and its length can be from 127mm to 355.6mm. Actual limits vary slightly depending on which printer driver you use and your computer's operating system.

Some applications software may not produce the desired results with non-standard print media sizes, and some experimentation may be required to obtain the results you want.

WINDOWS POSTSCRIPT

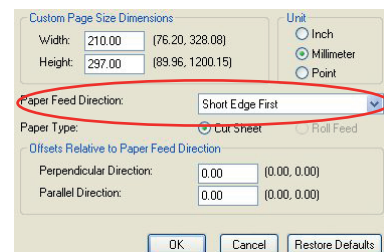
1. In the driver's **Layout** tab, click **Advanced**.



2. In the Advanced Options window, under **Paper/Output**, choose **PostScript Custom Page Size** from the **Paper Size** drop-down list.
3. In the PostScript Custom Page Size Definition window, Choose your **paper feed direction** from the drop-down list.

The available choices are:

- | | |
|---------------------------------|--|
| Short edge first | The page is portrait (tall) format and you will feed the top of the page into the printer. |
| Long edge first | The page is landscape (wide) format and you will feed the top of the page into the printer. |
| Short edge first flipped | The page is portrait (tall) format and you will feed the bottom of the page into the printer. |
| Long edge first flipped | The page is landscape (wide) format and you will feed the bottom of the page into the printer. |



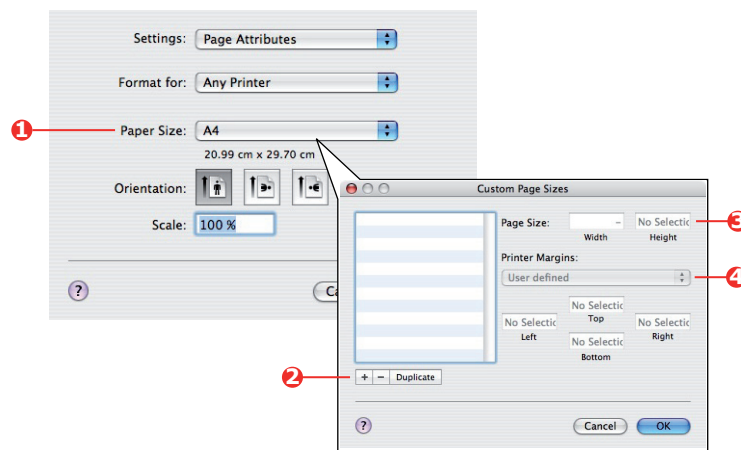
Notice that the size ranges available swap places when you change the paper feed direction between a portrait and a landscape choice.

Remember that the width of the multipurpose tray is limited to the width of an A3 sheet (297mm), so if your paper is longer than this you will have to feed it short edge first.

4. You can also position the page image on the paper to avoid printing too close to the edge by choosing an **Offset**.
Offset relative to *perpendicular* direction adds to your left margin.
Offset relative to *parallel* direction adds to your top margin (normal feed) or bottom margin (flipped feed).
5. Click **OK** to close the **PostScript Custom Page Size Definition** window.
6. Click **OK** to close the **Advanced Options** window.
7. In the driver's window, choose the **Multi-Purpose Tray** as the **Paper Source**.

MAC OS X

1. In your application program, choose **File > Page Setup**.

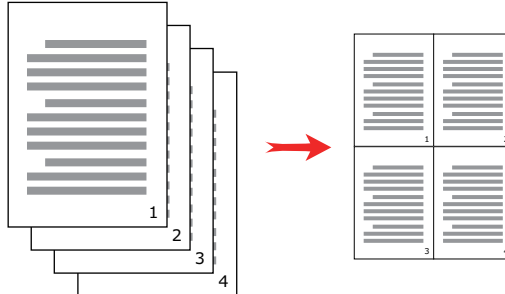


2. Select **Manage Custom Sizes** (1).
3. Click the **+** button (2) to define a new paper size and enter a **name** for the paper size.
4. Enter the **Width** and **Height** (3) of your paper.
5. Specify paper **margins** (4) as required.
6. Click **OK** to save the new paper size.

PRINTING MULTIPLE PAGES ON ONE SHEET (N-UP)

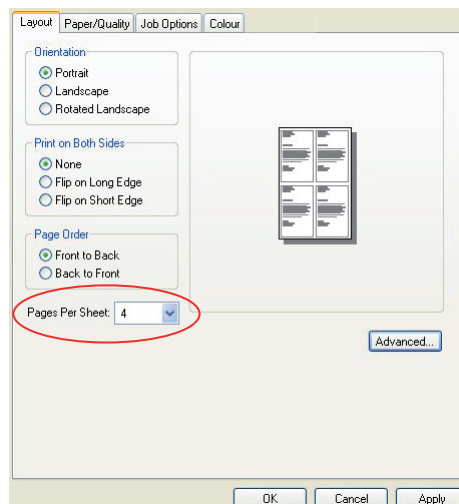
This feature scales the page size of your document for printing and reproduces several pages per sheet.

This is useful when you simply want to proof your page layout, or distribute your document in a more compact format. It saves paper, bulk, weight and cost.



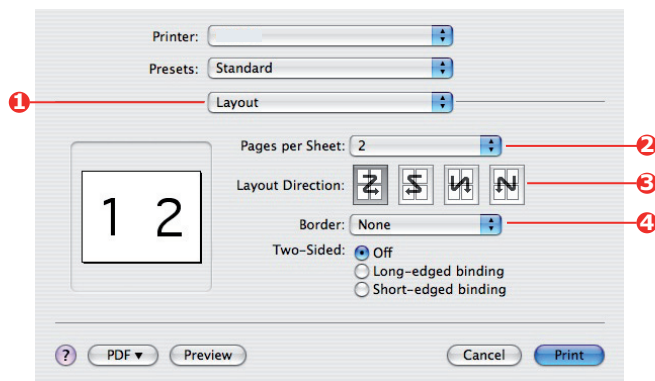
WINDOWS POSTSCRIPT

In the driver's **Layout** tab, choose the number of pages (N-up) you want to print on each sheet. 1-up is normal, 16-up is maximum.



MAC OS X

1. Select **Layout** (1).



2. From the **Pages per Sheet** menu (2), select the number of pages you want to fit onto a single sheet of paper.
3. If required, change the direction (3) the document pages are laid out on each sheet of paper.
4. If required, you can surround each page with a border (4).

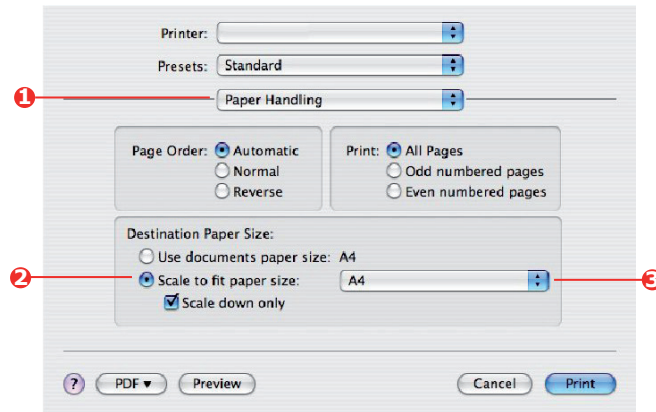
SCALE TO PAGE

Scale to Page allows you to print data formatted for one size page onto a different size page, without modifying the print data.

This feature is not available with the Windows PS driver.

MAC OS X

1. Select **Paper Handling** (1).



2. Check the **Scale to Fit Paper Size** checkbox (2).
3. Choose the paper size you need from the drop-down list (3).

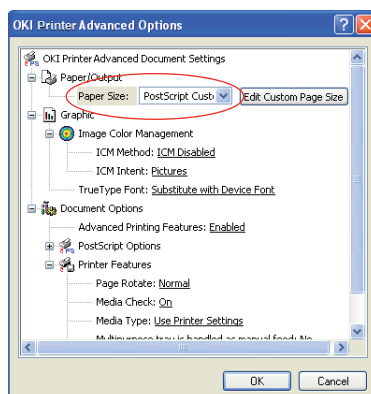
TRANSFER/TRANSPARENCY FILM PRINTING

This feature enables printing on transfer or transparency film.

The multipurpose tray is used for feeding film media.

WINDOWS

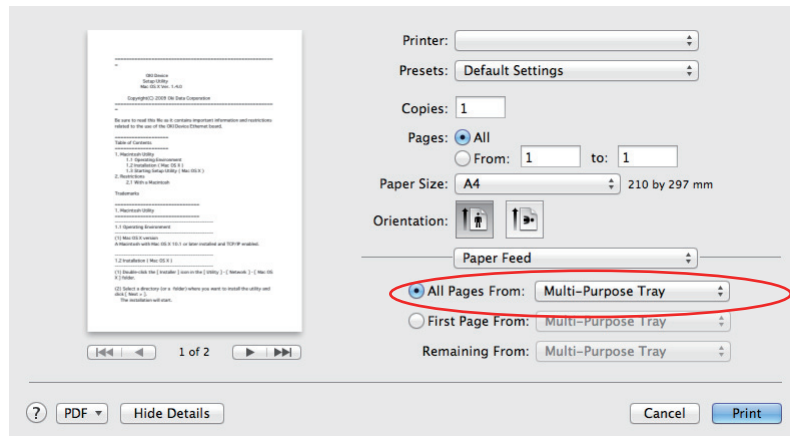
1. In the driver's **Paper/Quality** tab, click **Advanced**, and select the required film size from the **Paper Size** drop-down list.



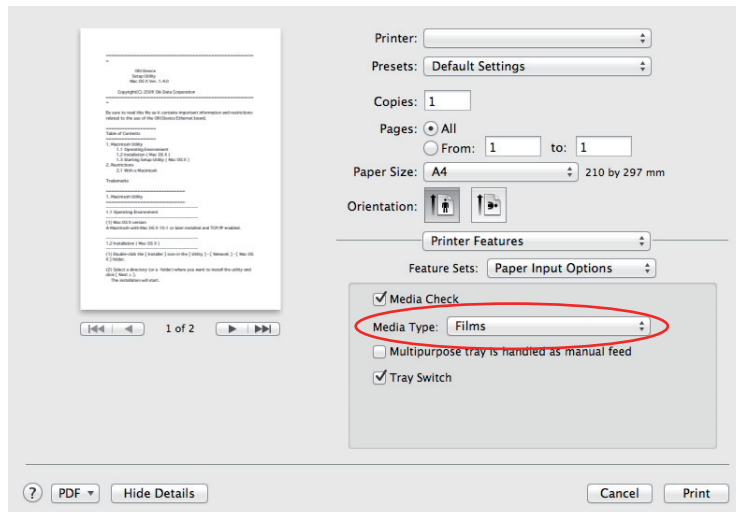
2. In the same window, select the **Films** from the **Printer Features - Media Type** drop-down list.
3. Click **OK** to close the **Advanced Options** window.
4. From the **Source** drop-down list select **Multi-Purpose Tray**.

MAC OS X

1. In the driver's window, select the **Multi-Purpose Tray** from the **All Pages From** drop-down list.



2. Move to the **Printer Features** window, select the **Films** from the **Media Type** drop-down list in the **Feature Sets: Paper Input Options**.



HOW TO PRINT WITH APPLICATION SETTING

To print image data without the white background, you need to configure the application setting. If printing image data without configuring the application setting, white is printed on the whole background of the image.

The following pages explain how to configure the setting in the Adobe applications.

ADOBE PHOTOSHOP

This section describes how to print the image data without white background by Adobe Photoshop CS.

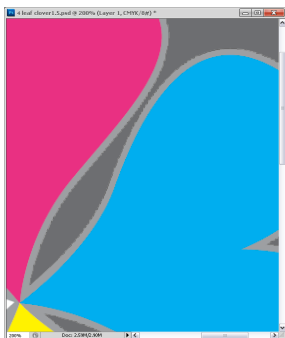
1. Load the image data.
2. Click the all of background to make a selection area for background by using Magic wand function.
3. Perform the **Inverse** menu to make a selection area for print after selection area for background was made.
4. Click the arrow of **Paths** and perform the **Make Work Path** menu.
5. Input the value of **Tolerance**.

NOTE

If you want to select only printable image, you should use small value, like 0.5. If you want to select printable image together with the white edge, 2.0 is maybe good value.

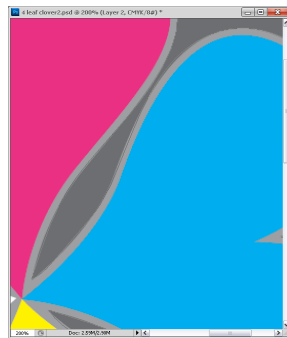
Example:

Tolerance is 0.5.



It is minimum edge but not smooth.

Tolerance is 2.0.



It is smooth but you can see white on the edge.

6. Click the arrow of **Paths** and perform the **Save Path** menu.
Click **OK** to save **Working Path** as **Path 1**.
7. Click the arrow of **Paths** and perform the **Clipping Path** menu.
Click **OK** to select **Path 1** as **Clipping Path**.
8. Save the image data by Photoshop format (PSD).
9. Select the **Print with Preview** menu.
10. Select the **No Color Management** in **Color Handling** options then click **Print** to print the image data.

ADOBE ILLUSTRATOR

This section describes how to print the image data without white background by Adobe Illustrator CS.

1. Load the image data.
2. Create a path around the area of the placed picture image that you want to mask.
3. Select the created path and the picture image, and create a clipping mask.
4. Save the image data.

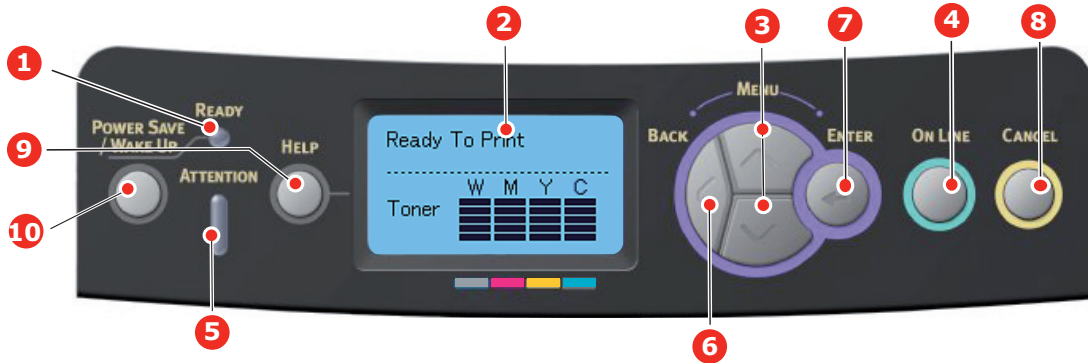
NOTE

Do not apply overprint settings for the object's fill and stroke. Otherwise they may be printed in unexpected color. Be sure to clear the overprint check boxes in the attributes panel.

MENU FUNCTIONS

This section lists the menus accessed via the controls on the printer’s operator panel and displayed in the LCD window.

OPERATOR PANEL:



<p>1. Ready LED</p>	<p>ON: Ready to receive data. BLINKING: Processing data. OFF: Offline.</p>	<p>2. Display</p>	<p>Displays the printer status and any error messages.</p>
<p>3. Menu Scroll Buttons</p>	<p>Enters the Menu mode. In Menu mode, forwards or reverses the menu item displayed. Press for 2 secs. or longer to jump from top to bottom.</p>	<p>4. On Line Button</p>	<p>Switches between ONLINE and OFFLINE. Exits the menu and goes ONLINE when pressed in the Menu mode. Scrolls the HELP screen. Forces printing on the paper currently loaded when pressed with "WRONG PAPER" or "WRONG PAPER SIZE" displayed.</p>
<p>5. Attention LED</p>	<p>ON: A warning occurs. Printing may be possible (e.g. low toner). BLINKING: An error occurs. Printing not possible (e.g. toner empty). OFF: Normal condition.</p>	<p>6. Back Button</p>	<p>Returns to the previous higher level menu item. Pressing this button for more than 4 seconds initiates the printer shutdown procedure, select Yes to continue or No to abort.</p>
<p>7. Enter Button</p>	<p>In the ONLINE or OFFLINE mode: enters the Menu mode. In the Menu mode: determines the setting selected.</p>	<p>8. Cancel Button</p>	<p>Deletes the data being printed or received when pressed for two seconds or longer. Deletes the data when pressed for two seconds or longer with WRONG PAPER SIZE, RUN OUT OF PAPER, TRAY 1 IS OPEN, or TRAY 1 IS NOT FOUND is displayed. Exits the menu and goes ONLINE when pressed in the Menu mode.</p>
<p>9. Help Button</p>	<p>Provides advice when an error such as incorrect paper size occurs.</p>	<p>10. Power Save/ Wake Up Button</p>	<p>Pressing this button switches the machine into sleep or wake-up mode. Refer to "Power saving mode" on page 12.</p>

HOW TO CHANGE THE SETTINGS – USER

It should be noted that many of these settings can be, and often are, overridden by settings in the printer drivers. However, several of the driver settings can be left at "Printer Setting", which will then default to the settings entered in these printer menus.

Where applicable, factory default settings are shown in bold type in the following tables.

In the normal operating condition, known as "standby," the printer's LCD window will show *Ready to Print*. In this condition, to enter the menu system, press the **up** and **down** Menu buttons on the operator panel to move up and down through the list of menus until the menu you wish to view is displayed. Then proceed as follows:

1. Press **Enter** to enter the menu.
2. Use the **up** and **down** MENU buttons on the control panel to scroll through the menus. When the item you want to change is displayed, press **Enter** to view the sub-menus for that item.
3. Use the **up** and **down** MENU buttons to move up and down through the sub-menu items. When the item you want to change is displayed press **Enter** to display the setting.
4. Use the **up** and **down** MENU buttons to move up and down through the available settings for the sub-menu item. When the item you want to change is displayed press **Enter** to display the setting. An asterisk (*) will appear next to the setting, indicating that this setting is currently in effect.
5. Do one of the following:
 - > Press **Back** again to move up to the list of menus;
 - or...
 - > Press **On Line** or **Cancel** to exit from the menu system and return to standby.

HOW TO CHANGE THE SETTINGS – ADMINISTRATOR

You can set whether to **ENABLE** or **DISABLE** each category in the user menu.

Disabled categories are not displayed in the User's menu. Only a system administrator can change these settings.

1. Turn **OFF** the printer. Turn **ON** the printer while pressing the **Enter** button. When **Boot Menu** appears, take your finger off the button.
2. Press the **Enter** button.
3. At the *Enter Password* prompt, enter the Admin password:
 - (a) Using the **up** and **down** MENU buttons, scroll to the required letter/digit.
 - (b) Press the **Enter** button to input and move to the next letter/digit.
 - (c) Repeat steps (a) and (b) until all letters/digits are entered.

Enter your 4 to 9 digit password.

(The default password is aaaaaa).

4. Press the **Enter** button.
5. Press the **up** or **down** MENU button until the "category" you want to change is displayed.
6. Press the **Enter** button.
7. Press the **up** or **down** MENU button until the "item" you want to change is displayed.
8. Press the **Enter** button.

9. Using the **up** or **down** MENU button, identify the parameter as required.
10. Press the **Enter** button. An asterisk (*) will appear next to the setting, indicating that this setting is currently in effect.
11. Press the **On Line** button to switch to online. The machine will automatically re-boot.

CONFIGURATION MENU

ITEM	ACTION	EXPLANATION
Tray Count	Tray1 Tray 2* Tray 3* MP Tray *Note: Only available when optional trays are present	Select an item to display the total number of pages printed from the relevant tray.
Supplies Life	Cyan Drum Magenta Drum Yellow Drum White Drum Belt Fuser Cyan Toner Magenta Toner Yellow Toner White Toner	Select item to display the percentage of a consumable remaining.
Network	Printer Name Short Printer Name IPv4 Address Subnet Mask Gateway Address MAC Address Network FW Version Web Remote Version IPv6 Address(Local) IPv6 Address(Global)	Displays the full printer name. Displays an abbreviated version. Displays the IPv4 Address of the network. Displays the Subnet Mask of the network. Displays the Gateway Address of the network. Displays the MAC Address of the printer. Displays the Network firmware revision. Displays the Web remote version. Displays the IPv6 Address(Local) of the network. ^a Displays the IPv6 Address(Global) of the network. ^a
System	Serial Number Asset Number Lot Number CU Version PU Version Total Memory Flash Memory SD Card Date and Time	Displays information for these items.

a. Display condition: IP Version is IP v4+v6 or IP v6.

PRINT INFORMATION MENU

This menu provides a quick method of listing various items stored within the printer.

ITEM	ACTION	EXPLANATION
Configuration	Execute	Select execute to print out a configuration report.
Network	Execute	Scroll down to this parameter and select execute to print out Network information.
Demo Page DEMO1	Execute	Scroll down to this parameter and select execute to print out a demonstration page.
File List	Execute	Scroll down to this parameter and select execute to print out a list of job files. (displayed only if FileSystem is installed).
PS Font List	Execute	Scroll down to this parameter and select execute to print out a Postscript emulation typeface list.
Error Log	Execute	Scroll down to this parameter and select execute to print out the error log.
Color Profile List	Execute	Scroll down to this parameter and select execute to print out a list of colour profiles.

SHUTDOWN MENU

This item should always be selected before switching the printer off, to ensure that no data is lost.

ITEM	SETTINGS	EXPLANATION
Shutdown Start	Execute	Performs controlled shutdown of the printer. Only power the printer off when the display indicates that shutdown is complete.

MENUS

ITEM	ACTION	EXPLANATION
Tray Configuration	Paper Feed Default: Tray 1	Select tray. Select by scroll and Enter button.
	Auto Tray Switch Default: On	Switches Auto ON/OFF. Select by scroll and Enter button.
	Tray Sequence Default: Down	Selects Tray sequence Down/Up/Paper feed Tray . Select by scroll and Enter button.
	Unit of Measurement Default: millimeter	Selects UOM Inches or millimeter. Select by scroll and Enter button.
	Tray1 Config Default: Paper Size: Cassette/ Custom Media Type: Plain/ Letterhead/ Bond/ Recycled/Card Stock/Rough/ Glossy/USER TYPE 1-5 Media Weight: Light/Medium Light/ Medium/ Heavy/Ultra Heavy1/Ultra Heavy2	Configure Paper Size/Media Type/Media Weight . Select by scroll and Enter button. USER TYPE 1 to 5 are displayed only if registered in the host PC.

ITEM	ACTION	EXPLANATION
Tray Configuration (cont.)	<p>MPTray Config</p> <p>Paper Size: A4/A5/A6/B5/ Legal14/Legal 13.5/Legal13/ Letter/ Executive/ Custom/Com-9 Envelope/Com- 10 Envelope/ Monarch Envelope/DL Envelope/C5/ Index Card</p> <p>Media Type: Plain/ Letterhead/ Films/Labels/ Bond/ Recycled/Card Stock/Rough/ Glossy/ USERTYPE 1-5</p> <p>Media Weight: Light/Medium Light/Medium/ Heavy//Ultra Heavy1/Ultra Heavy2/Ultra Heavy3</p> <p>Tray Usage: When Mismatching/ Do Not Use</p>	<p>Configure Paper Size/Media Type/Media Weight/Tray Usage. Select by scroll and Enter button.</p> <p>USERTYPE 1 to 5 are displayed only if registered in the host PC. Paper weight 189 ~ 250g/m²</p> <p>Sets MPTray usage. When Mismatching: if paper mismatch occurs, paper is requested from the MPTray instead of the specified tray. Do Not Use: sets MPTray unavailable both in Auto Tray Select and Auto Tray Switch.</p>
	<p>Tray 2 Config*</p> <p>Tray 3 Config*</p>	<p>*Note: only present if option installed.</p>

ITEM	ACTION	EXPLANATION
System Adjust	Power Save Time Default: 30	Select from 1/2/3/4/5/10/15/30/60/120 Minutes . Select by scroll and Enter button.
	Sleep Time Default: 10	Select from 1/2/3/4/5/10/15/30/60/120 Minutes . Select by scroll and Enter button.
	Clearable Warning Default: ONLINE	Select from: ONLINE/Job . Select by scroll and Enter button. PS job only.
	Auto Continue Default: Off	Select from On/Off . Select by scroll and Enter button.
	Manual Timeout Default: 60	Select from Off/30 seconds/60 seconds . Select by scroll and Enter button.
	Wait Timeout Default: 40	Select from Off/5/10/20/30/40/50/60/90/120/150/180/210/240/270/300 seconds . Select by scroll and Enter button.
	Low Toner Default: Continue	Select action to take when toner sensor indicates low toner. Select from Continue/Stop . Select by scroll and Enter button.
	Jam Rcovery Default: On	Select from On/Off . Select by scroll and Enter button.
	Error Report Default: Off	Select from On/Off . Select by scroll and Enter button.
	Print Position Adjust Default: 0.00	Select from X Adjust/Y Adjust . Select by scroll and Enter button. Define measurement.
	Paper Color Setting -2/-1/0/+1/+2 Default: 0	Used for fine adjustment of the colour print on paper.
	Films Color Setting -2/-1/0/+1/+2 Default: 0	Used for fine adjustment of the colour print on films.
	SMR Setting +3/+2/+1/0/-1/-2/-3/ Default: 0	To correct variations in print results caused by temperature/humidity conditions and difference in print density/frequency. Change the setting when print quality is uneven.
	BG Setting +3/+2/+1/0/-1/-2/-3/ Default: 0	To correct variations in print results caused by temperature/humility conditions and difference in print density/frequency. Change the setting when background is dark.
	Drum Cleaning Default: Off	Sets whether to rotate the drum in idle prior to printing in order to reduce horizontal white lines. Be warned that this will shorten the ID life by as much as this rotation. Select by scroll and Enter button.
Hex Dump Execute	Prints out data received from the host PC in the hexadecimal Dump. Turning off the power supply switch restores Normal Mode.	

ADMIN SETUP

ITEM		SETTINGS	EXPLANATION
Enter Password		xxxxxxxxxxxx	Enter a password to gain entry to the Admin Setup menu. Password should be from 6 to 12 digits of alpha/numeric characters (or mix) The default value is "aaaaaa"
Network Setup	TCP/IP	Enable Disable	Sets TCP/IP Protocol. Enable: TCP/IP Protocol is available. Disable: TCP/IP Protocol is not available.
	IP Version	IP v4 IP v4+v6 IP v6	Set up the IP version. Operates with IPv4 for IPv4 (not valid with IPv6). Operates with both IPv4 and IPv6 for IPv4+v6. Operates with IPv6 for IPv6 (not valid with IPv4). There is only IPv4 and IPv4+v6 as normal value. From this stage, if IPv6 only is set from UI, for example Telnet, "IPv6" appears as the value of IP Version on the operation panel. "IPv6" will disappear from the value if "IP v4" or "IP v4+v6" is selected. Display Condition: TCP/IP should be enabled.
	NetBEUI	Enable Disable	Sets Enable/Disable of NETBEUI Protocol.
	NetBIOS over TCP	Enable Disable	Sets Enable/Disable of NetBIOS over TCP protocol. Display Conditions: > TCP/IP should be enabled. > IP Version is not IPv6.
	NetWare	Enable Disable	Sets Enable/Disable of NetWare Protocol.
	EtherTalk	Enable Disable	Sets Enable/Disable of EtherTalk Protocol.
	Frame Type	Auto 802.2 802.3 Ethernet II SNAP	Sets the frame type. Display Condition: Netware should be enabled.
	IP Address Set	Auto Manual	Sets the IP Address setting method. Display Conditions: > TCP/IP should be enabled. > IP Version is not IPv6.
	IPv4 Address	xxx.xxx.xxx.xxx	Sets the IP Address. Display Conditions: > TCP/IP should be enabled. > IP Version is not IPv6.
Subnet Mask	xxx.xxx.xxx.xxx	Sets the Subnet Mask. Display Conditions: > TCP/IP should be enabled. > IP Version is not IPv6.	

ITEM		SETTINGS	EXPLANATION
Network Setup (cont.)	Gateway Address	xxx.xxx.xxx.xxx	Sets the Gateway (default router) address. 0.0.0.0 means that there is no router. Display Conditions: > TCP/IP should be enabled. > IP Version is not IPv6.
	Web	Enable Disable	Sets Enable/Disable of Web. Enable: Web/IPP is available. Disable: Web/IPP is not available. Display Condition: TCP/IP should be enabled.
	Telnet	Enable Disable	Sets Enable/Disable of Telnet. Enable: Telnet is available. Disable: Telnet is not available. Display Condition: TCP/IP should be enabled.
	FTP	Enable Disable	Sets Enable/Disable of FTP. Enable: FTP is available. Disable: FTP is not available. Display Condition: TCP/IP should be enabled.
	IPSec	Enable Disable	Sets Enable/Disable of IPSec. Enable via the web. Enable: IPSec is available. Disable: IPSec is not available.
	SNMP	Enable Disable	Sets Enable/Disable of SNMP. Enable: SNMP is available. Disable: SNMP is not available. Display Condition: TCP/IP or NetWare should be enabled.
	Network Scale	Normal Small	When Normal is selected, the network can work effectively even when it is connected to a HUB that has a spanning tree feature. However, printer start up time gets longer when computers are connected with two or three small LANs. When Small is selected, computers can cover from two or three small LANs to a large LAN, but may not work effectively when the network is connected to a HUB with a spanning tree feature.
	Hub Link Setting	Auto Negotiate 100Base-TX Full 100Base-TX Half 10Base-T Full 10Base-T Half	Sets a method to link to a HUB. When Auto is set, a connection method to a HUB is selected automatically and attempts to connect. If another method is selected, attempts to connect to a HUB only by the selected connection method.
	Factory Defaults?	Execute	Specifies whether to initialize the network factory default settings for the Network.
Print Setup	Personality	Auto PostScript PCL	Selects a printer language.
	Copies	1 - 999	Selects the number of copies. This setting is disabled for Local Print except for Demo Page.
	Media Check	Enable Disable	Sets whether the printer checks the matching of printed data size and that of the tray. Only standard sizes are checked.

ITEM		SETTINGS	EXPLANATION
Print Setup (cont.)	Resolution	600dpi 600x1200dpi 600dpi multi-level	Sets default resolution.
	X Dimension	64 mm ~ 210 mm ~ 216 mm	Specifies paper width of Custom paper as a default value. Sets a paper size at right angles to the paper run direction.
	Y Dimension	127 mm ~ 297 mm ~ 1321 mm	Specifies paper length of Custom paper as a default value. Sets a paper size in the same direction as the paper run direction.
PS Setup	Network Protocol	ASCII/ RAW	Specifies PS communication protocol mode of data from NIC port. (In RAW mode, Ctrl-T is invalid). PS models only.
	Parallel Protocol	ASCII /RAW	Specifies PS communication protocol mode of data from Centronics port. (In RAW mode, Ctrl-T is invalid). PS models only.
	USB Protocol	ASCII/ RAW	Specifies PS communication protocol mode of data from USB port. (In RAW mode, Ctrl-T is invalid). PS models only.
Color Setup	CMY 100% Density	Enable/ Disable	Enable/Disable 100% output against the CMY100% TRC compensation. Ordinarily, the TRC compensation function holds control for the appropriate print density; thus 100% output is not always possible. Selecting ENABLE will enable 100% output in any individual color. The actual print, including the TRC compensation function is limited to an appropriate area. This function is for special purposes such as specification in CMY color reduction in PS.
Memory Setup	Receive Buffer Size	Auto 0.5 megabyte 1 megabyte 2 megabyte 4 megabyte 8 megabyte 16 megabyte 32 megabyte	Sets the size of receive buffer
	Resource Save	Auto Off 0.5 megabyte 1 megabyte 2 megabyte 4 megabyte 8 megabyte 16 megabyte 32 megabyte	Sets the size of resource saving area.

ITEM		SETTINGS	EXPLANATION
Flash Memory Setup	Initialize	Execute	<p>Initializes Resident FLASH.</p> <p>When the Enter button is pressed, the following confirmation message appears.</p> <p>Are You Sure? Yes/No</p> <p>If No is selected, the previous menu display resumes.</p> <p>If Yes is selected, the following confirmation message displays.</p> <p>Execute Now? Yes/No</p> <p>If No is selected, the previous menu display resumes. At this time, the request to execute FLASH initialization is put into the memory and initialization will be executed at power cycle.</p> <p>If Yes is selected, shutdown takes place, and FLASH is initialized at power Off/On cycle.</p>
System setup	Near Life Status	Enable/Disable	<p>Set LCD panel control at the time of near-life warning for drum, fuser and belt.</p> <p>Enable: Display a near-life warning.</p> <p>Disable: Do not display a near-life warning.</p>
	Near Life LED	Enable/Disable	<p>Controls the settings of the Attention LED when near end of life warning of toner, drum, fuser, or belt occurs. Attention LED is lit when enabled, not lit if disabled. (Displays LCD message.)</p> <p>The temporary recovery by opening and closing of the cover in Life error is not included.</p>
Time Setup	Date Format	mm/dd/yyyy dd/mm/yyyy yyyy/mm/dd	Set desired date format.
	Time Zone	-13:00 ~ 0:00 ~ +13:00	<p>Enter the time zone for your country in relation to GMT. Set in quarter units within the range.</p> <p>Use the Menu up/down buttons to increment/decrement and press the Enter button to set and proceed to the next digit.</p>
	Daylight Saving	On Off	Enable/disable daylight saving setting.
	Time Setting	01/01/2000 00:00 ~ 01/01/2009 00:00 ~ 31/12/2091 23:59	<p>Set current date and time.</p> <p>Display format follows the settings selected in Date Format.</p>
Change Password	New Password	xxxxxxxxxxxxxx	Sets a new password to enter Admin Setup menu From 6 to 12 alpha/numeric digits can be entered.
	Verify password	xxxxxxxxxxxxxx	Forces the User to input the new password to enter Admin Setup. From 6 to 12 alpha/numeric digits can be entered.

ITEM		SETTINGS	EXPLANATION
Settings	Reset Settings	Execute	Resets EEPROM of CU. Resets User menu to the factory default. If Execute is selected, exits from the menu.
	Save Settings	Execute	Saves menus currently set. With this function, the menus with which operation was last performed are saved, and overwrites with the menus that were previously saved. When the Enter button is pressed, the following confirmation message appears. Are You Sure? Yes/No When No is selected, the preceding menus are restored. When Yes is selected, the current menu settings are saved and this menu is exited.
	Restore Settings	Execute	Changes to the menu setting saved. When the Enter button is pressed, the following confirmation message appears. Are You Sure? Yes/No If No is selected, the previous menu display resumes. If Yes is selected, changes to the menu settings are saved and this menu is exited. Display Condition: The menu settings are saved.

CALIBRATION

ITEM		SETTINGS	EXPLANATION
Auto Density Mode		On/Off	Selects whether density adjustment and TRC compensation is automatically performed. On: Density adjustment is automatically run under the engine-specified conditions, and reflected in TRC compensation. Off: The printer does not voluntarily run density adjustment.
Adjust Density		Execute	If Execute is selected, the printer will immediately adjust density and reflect it in TRC compensation. This adjustment must be executed when the printer is idling. It can become invalid if executed in any other state.
Adjust Registration		Execute	When this menu is selected, the printer performs AutoAdjust Registration. This adjustment must be executed when the printer is idling.
Print Tuning Pattern		Execute	Prints the pattern for the user to adjust TRC. Ordinarily, this function is not needed because TRC is automatically adjusted to the recommended levels through density adjustment and TRC compensation. Adjustment results will be reflected as offset values (addition) to the corrections through the Adjust Density/TRC Compensation function.
Cyan/Magenta/ Yellow Tuning	Highlight	-3,-2,-1, 0 ,+1,+2,+3,	Adjusts HIGHLIGHT (light area) of the TRC. + = Darker - = Lighter
	Mid-Tone	-3,-2,-1, 0 ,+1,+2,+3,	Adjusts MID-TONE area of the TRC. + = Darker - = Lighter
	Dark	-3,-2,-1, 0 ,+1,+2,+3,	Adjusts DARK area of the TRC. + = Darker - = Lighter
Cyan/Magenta/ Yellow/White Density		-3,-2,-1, 0 ,+1,+2,+3,	Adjusts the engine density.

BOOT MENU

This menu should only be changed by the System Administrators. In order to gain access to this menu, follow the instructions in ["How to change the settings - administrator" on page 43](#).

This menu is in ENGLISH only (default settings in bold type).

Parallel Setup

This menu controls the operation of the printer's Parallel data interface.

ITEM	SETTINGS	EXPLANATION
Enter Password	xxxxxxxxxxxx	Enter a password to access the Boot menu. Password should be from 6 to 12 digits of alpha/numeric characters (or mix) The default value is "aaaaaa"
Parallel	Enable /Disable	Enables or disables the parallel port.
Bi-Direction	Enable /Disable	ENABLE/DISABLE the bi-directional capability of the parallel interface.
ECP	Enable /Disable	Extended Capabilities Port, enables/disables this function.
Ack Width	Narrow / Medium/ Wide	Sets ACK width for compatible reception. = 0.5µs = 1.0µs = 3.0µs
Ack/Busy Timing	Ack in Busy / Ack while Busy	ACK IN BUSY: BUSY=LOW-> The end of ACK pulse. ACK WHILE BUSY: BUSY=LOW -> The centre of ACK pulse.
I-Prime	3µsec/50µsec Disable	3 microseconds: Enabled with the 3µs nInit signal. 50 microseconds: Enabled with the 50µs nInit signal.
Offline Receive	Enable/ Disable	To Enable/disable of this function. When set to Enable, the interface retains a receive possible state even when switching to Offline. Interface sends the BUSY signal only when the receive buffer is full or a service call occurs.

USB Setup

This menu controls the operation of the printer's USB data interface.

ITEM	SETTINGS	EXPLANATION
USB	Enable /Disable	ENABLES/DISABLES the USB port.
Speed	480 /12 Mbps	Selects the interface speed. After setting change the menu, the printer restarts on exit.
Soft Reset	Enable/ Disable	Enables or disables the SOFT RESET command.
Offline Receive	Enable/ Disable	OFFLINE RECEIVE.
Serial Number	Enable /Disable	Specifies whether to ENABLE or DISABLE a USB serial number. The USB serial number is used to identify the USB device connected to your PC.

When you have changed any settings in the USB menu, turn the printer OFF, then ON again.

Power setup

ITEM	SETTINGS	EXPLANATION
Peak Power Control	Normal Low	Sets Peak Power Control level.
Power Save	Enable Disable	Sets Enable/Disable of Power Save Mode. If Power Save is disabled, pressing the Power Save/ Wake Up button on the control panel will manually override this setting.
Sleep	Enable Disable	Sets Enable/Disable of Sleep Mode.
USB Host Power	Off On	Set power supply for USB-HOST of the whole power save mode. When Off, suppress power supply. When On, do normal power supply.

Language setup

ITEM	SETTINGS	EXPLANATION
Language Initialize	Execute	Initialises the message file loaded in FLASH. When you press the Enter button, the following message, requesting confirmation, will appear, Are You Sure? Yes No If NO is selected, you will be returned to the source menu. The procedure for clearing the disk will start immediately after the menu and rebooting.

System setup

ITEM	SETTINGS	EXPLANATION
High Humid Mode	Off On	If moistened paper is curled significantly after printing, change the setting to ON. Note: Moistened paper means paper that has been left in a high-humidity environment.
Menu Lockout	Off On	Set On/Off of Menu Lockout function.

MAINTENANCE

REPLACING CONSUMABLE ITEMS

Only use genuine original consumables to ensure the best quality and performance from your hardware. Non original products may adversely affect your printer's performance and invalidate your warranty.

TONER CARTRIDGE REPLACEMENT

NOTE

When the LCD display indicates TONER LOW, or if print appears faded, first open the top cover and try tapping the cartridge a few times to evenly distribute the toner powder. This will enable you to obtain the best "yield" from your toner cartridge.

CAUTION!

To avoid toner wastage and possible toner sensor errors, do not change the toner cartridge(s) until "TONER EMPTY" is displayed.

The toner used in this printer is a very fine dry powder. It is contained in four cartridges: one each for cyan, magenta, yellow and white.

Have a sheet of paper handy so that you have somewhere to place the used cartridge while you install the new one.

Dispose of the old cartridge responsibly, inside the pack that the new one came in. Follow any regulations, recommendations, etc., which may be in force concerning waste recycling.

If you do spill any toner powder, lightly brush it off. If this is not enough, use a cool, damp cloth to remove any residue.

Do not use hot water, and never use solvents of any kind. They will make stains permanent.

WARNING!

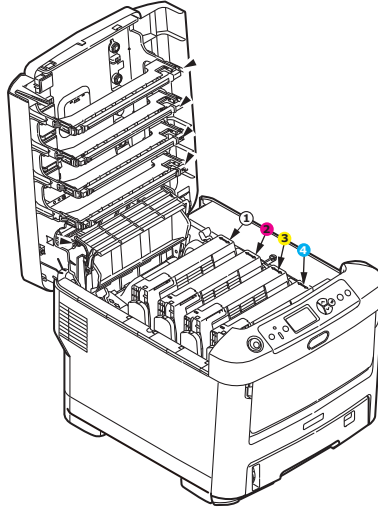
If you inhale any toner or get it in your eyes, drink a little water or bathe your eyes liberally in cold water. Seek medical attention immediately.

1. Press the cover release and open the printer's top cover fully.

WARNING

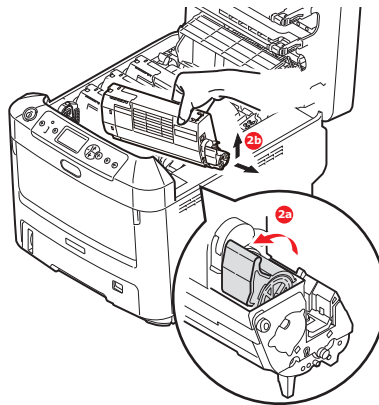
If the printer has been powered on, the fuser will be hot. This area is clearly labelled. Do not touch.

2. Note the positions of the four cartridges.

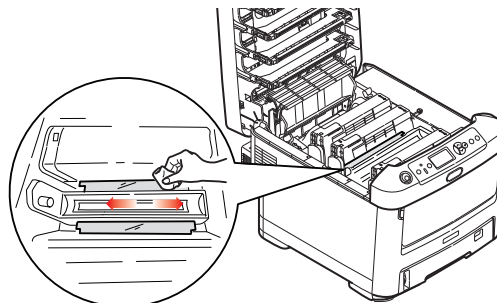


- | | |
|---------------------|----------------------|
| 1. White cartridge | 2. Magenta cartridge |
| 3. Yellow cartridge | 4. Cyan cartridge |

- (a) Pull the coloured toner release lever on the cartridge to be replaced fully towards the front of the printer.

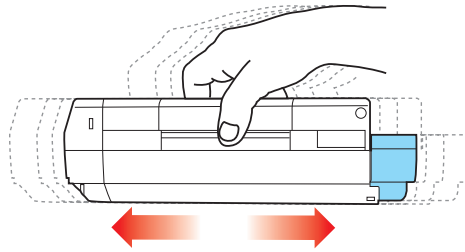


- (b) Lift the right-hand end of the cartridge and then draw the cartridge to the right to release the left-hand end as shown, and withdraw the toner cartridge out of the printer.
3. Put the cartridge down gently onto a piece of paper to prevent toner from marking your furniture.
4. Clean the top of the ID unit with a clean, lint free cloth.

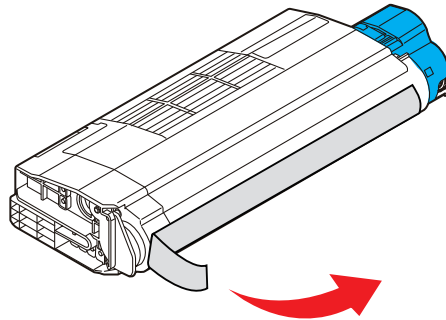


5. Remove the new cartridge from its box but leave its wrapping material in place for the moment.

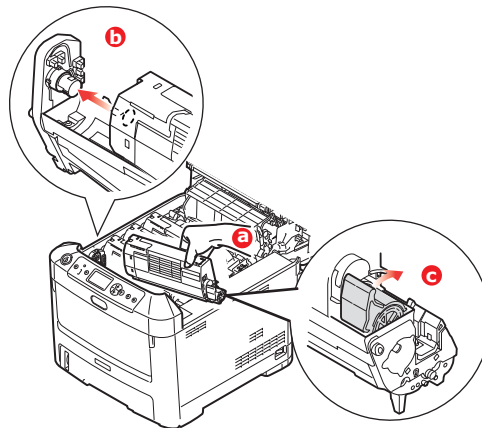
6. Gently shake the new cartridge from end to end several times to loosen and distribute the toner evenly inside the cartridge.



7. Remove the wrapping material and peel off the adhesive tape from the underside of the cartridge.

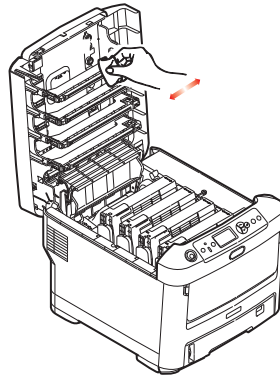


8. Holding the cartridge by its top centre with the coloured lever to the right, lower it into the printer over the image drum unit from which the old cartridge was removed.
9. Insert the left end of the cartridge into the top of the image drum unit first, pushing it against the spring on the drum unit, then lower the right end of the cartridge down onto the image drum unit.



10. Pressing gently down on the cartridge to ensure that it is firmly seated, push the coloured lever towards the rear of the printer. This will lock the cartridge into place and release toner into the image drum unit.

11. Gently wipe the LED head surface with a clean, lint free cloth.



12. Finally, close the top cover and press down firmly at both sides so that the cover latches closed.

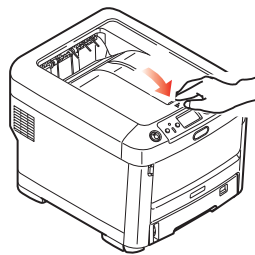


IMAGE DRUM REPLACEMENT

CAUTION!



Static sensitive devices, handle with care.

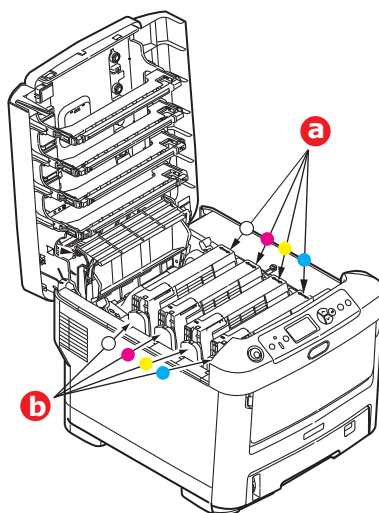
The printer contains four image drums: white, magenta, yellow and cyan.

1. Press the cover release and open the printer's top cover fully.

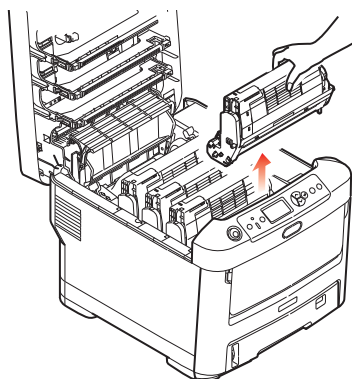
WARNING!

If the printer has been powered on, the fuser will be hot. This area is clearly labelled. Do not touch.

2. Note the positions of the four toner cartridges (a) and image drums (b). It is essential that they go back in the same order.



3. Holding it by its top centre, lift the image drum, complete with its toner cartridge, up and out of the printer.

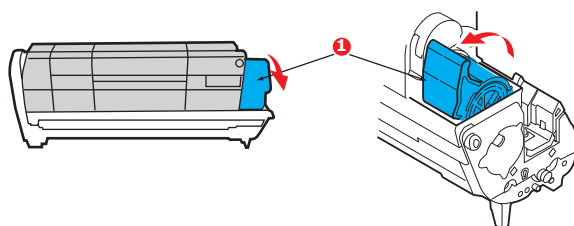


4. Put the assembly down gently onto a piece of paper to prevent toner from marking your furniture and to avoid damaging the green drum surface.

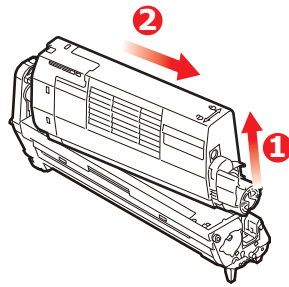
CAUTION!

The green image drum surface at the base of the ID unit is very delicate and light sensitive. Do not touch it and do not expose it to normal room light for more than 5 minutes. If the drum unit needs to be out of the printer for longer than this, please wrap the cartridge inside a black plastic bag to keep it away from light. Never expose the drum to direct sunlight or very bright room lighting.

5. With the coloured toner release lever (1) to the right, pull the lever towards you. This will release the bond between the toner cartridge and the image drum unit.



6. Lift the right-hand end of the toner cartridge (1) and then draw the cartridge to the right to release the left-hand end as shown (2), and withdraw the toner cartridge out of the image drum cartridge. Place the cartridge on a piece of paper to avoid marking your furniture.

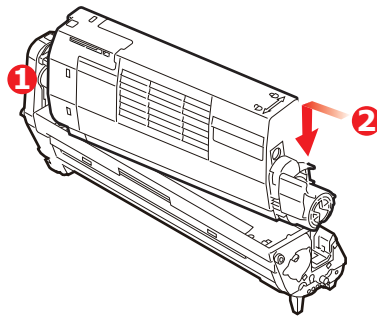


7. Take the new image drum cartridge out of its packaging and place it on the piece of paper where the old cartridge was placed. Keep it the same way round as the old unit. Pack the old cartridge inside the packaging material for disposal.

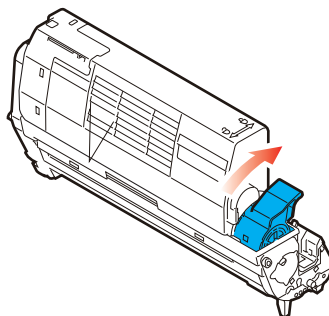
NOTE:

Follow instructions that come with the new image drum for additional information such as the removal of packaging material, etc.

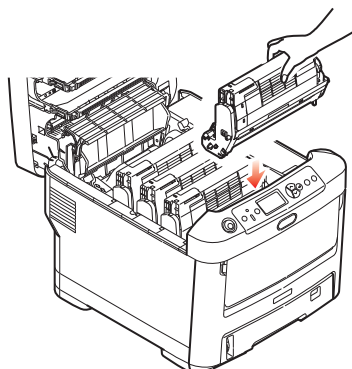
8. Place the toner cartridge onto the new image drum cartridge as shown. Push the left end in first, and then lower the right end in. (It is not necessary to fit a new toner cartridge at this time unless the remaining toner level is very low.)



9. Push the coloured release lever away from you to lock the toner cartridge onto the new image drum unit and release toner into it.



10. Holding the complete assembly by its top centre, lower it into place in the printer, locating the pegs at each end into their slots in the sides of the printer cavity.



11. Finally, close the top cover and press down firmly at both sides so that the cover latches closed.

NOTE:

If you need to return or transport your printer for any reason, please make sure you remove the image drum unit beforehand and place in the bag provided. This is to avoid toner spillage.

REPLACING THE TRANSFER BELT UNIT

The belt unit is located under the four image drums.

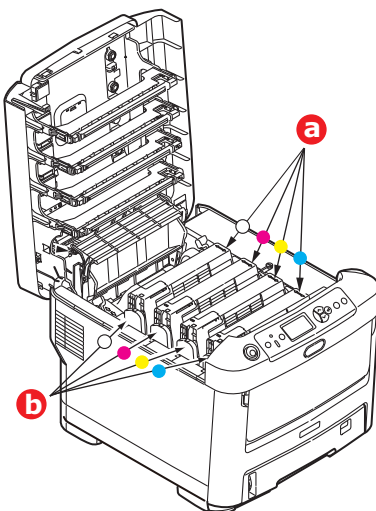
Switch off the printer and allow the fuser to cool for about 10 minutes before opening the cover.

1. Press the cover release and open the printer's top cover fully.

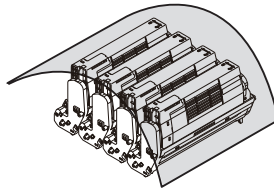
WARNING!

If the printer has been powered on, the fuser will be hot. This area is clearly labelled. Do not touch.

2. Note the positions of the four toner cartridges (a) and image drums (b). It is essential that they go back in the same order.



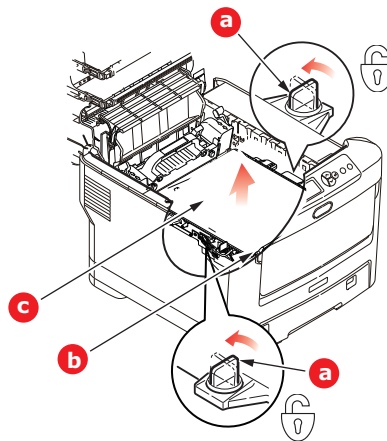
3. Lift each of the image drum units out of the printer and place them in a safe place away from direct sources of heat and light.



CAUTION!

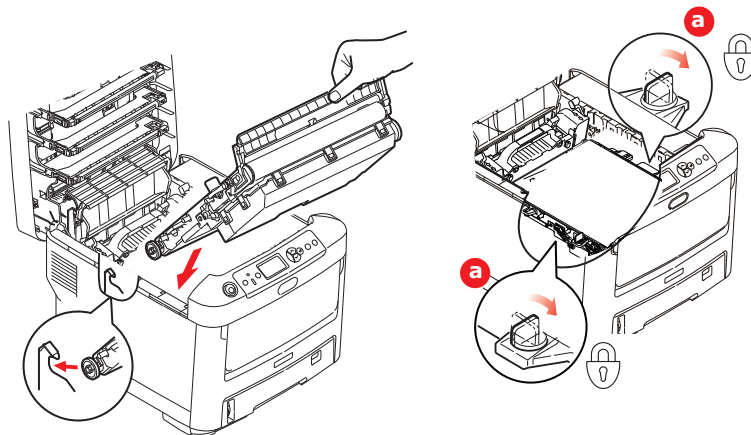
The green image drum surface at the base of each cartridge is very delicate and light sensitive. Do not touch it and do not expose it to normal room light for more than 5 minutes. If the drum unit needs to be out of the printer for longer than this, please wrap the cartridge inside a black plastic bag to keep it away from light. Never expose the drum to direct sunlight or very bright room lighting.

4. Locate the two fasteners (a) at each side of the belt and the lifting bar (b) at the front end.



5. Turn the two fasteners 90° to the left. This will release the belt from the printer chassis.
6. Pull the lifting bar (b) upwards so that the belt tilts up towards the front, and withdraw the belt unit (c) from the printer.

7. Lower the new belt unit into place, with the lifting bar at the front and the drive gear towards the rear of the printer. Locate the drive gear into the gear inside the printer by the rear left corner of the unit, and lower the belt unit flat inside the printer.



8. Turn the two fasteners (a) 90° to the right until they lock. This will secure the belt unit in place.
9. Replace the four image drums, complete with their toner cartridges, into the printer in the same sequence as they came out: white (nearest the rear), magenta, yellow and cyan (nearest the front).
10. Finally, close the top cover and press down firmly at both sides so that the cover latches closed.

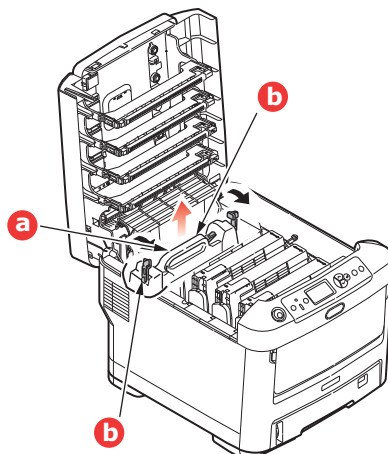
FUSER REPLACEMENT

The fuser is located inside the printer just behind the four image drum units.

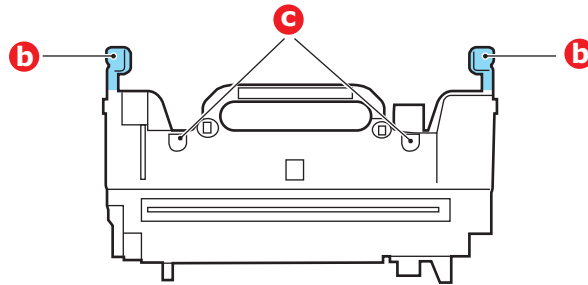
WARNING

If the printer has recently been powered on, some fuser components will be very hot. Handle the fuser with extreme care, holding it only by its handle, which will only be mildly warm to the touch. A warning label clearly indicates the area. If in doubt, switch the printer off and wait at least 10 minutes for the fuser to cool before opening the printer cover.

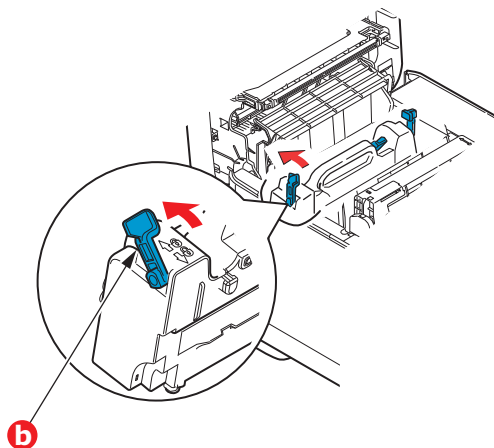
1. Press the cover release and open the printer's top cover fully.
2. Identify the fuser handle (a) on the top of the fuser unit.



3. Pull the two fuser retaining levers (b) towards the front of the printer so that they are fully upright.
4. Holding the fuser by its handle (a), lift the fuser straight up and out of the printer. If the fuser is still warm, place it on a flat surface which will not be damaged by heat.
5. Remove the new fuser from its packaging and remove the transit material.
6. Holding the new fuser by its handle, make sure that it is the correct way round. The retaining levers (b) should be fully upright, and the two locating lugs (c) should be towards you.



7. Lower the fuser into the printer, locating the two lugs (c) into their slots in the metal partition which separates the fuser area from the image drums.
8. Push the two retaining levers (b) towards the rear of the printer to lock the fuser in place.



9. Finally, close the top cover and press down firmly at both sides so that the cover latches closed.

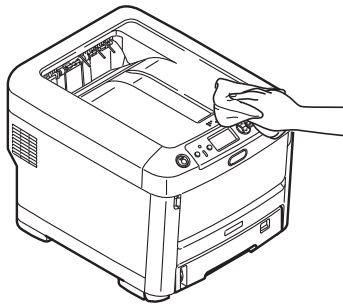
CLEANING

CAUTION!

Use a clean, moist, lint-free cloth for cleaning. Do not use benzine, thinners or alcohol as a cleaning agent.

...THE UNIT CASING

1. Switch the printer off.
2. Wipe the unit surface with a soft cloth moistened sparingly with water or neutral detergent.



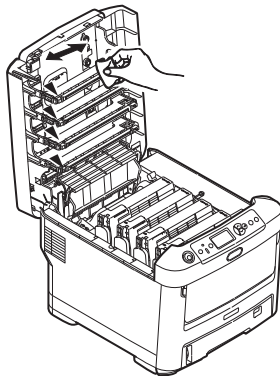
3. Use a soft dry cloth to dry the unit surface.

...THE LED HEAD

Clean the LED heads when printing does not come out clearly, has white lines or when text is blurred.

There is no need to switch off the printer to clean the lens.

1. Press the cover release and open the printer's top cover fully.
2. Gently wipe the LED head surface with a clean, lint free cloth.



CAUTION!

Do not use methyl alcohol or other solvents on the LED head as damage to the lens surface will occur.

3. Close the top cover and press down firmly at both sides so that the cover latches closed.

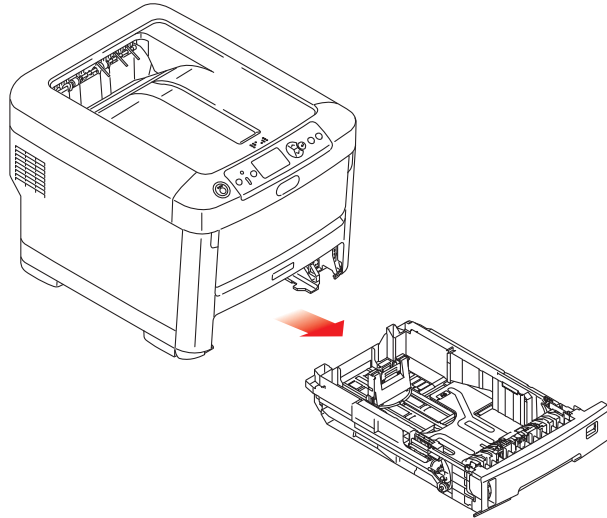
...THE PAPER FEED ROLLERS

Clean the paper feed rollers if paper jams frequently occur.

CAUTION!

Use a clean, moist, lint-free cloth for cleaning. Do not use benzine, thinners or alcohol as a cleaning agent.

1. Remove items like a wrist watch or bracelet.
2. Switch the printer off.
3. Remove the paper tray from the printer.



4. Gaining access through the gap left by paper tray, wipe the paper feed rollers with a clean, lint-free cloth moistened with water.
5. Wipe the feed roller on the paper tray.
6. Replace the paper tray.

INSTALLING UPGRADES

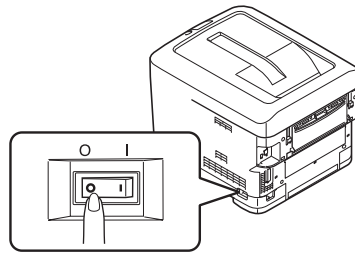
This section explains how to install optional equipment into your printer. This includes:

- > additional RAM memory
- > additional paper tray(s)
- > cabinet

MEMORY UPGRADE

The basic printer model comes equipped with 256MB of main memory. This can be upgraded with an additional memory board of 256MB or 512MB, giving a maximum total memory capacity of 768MB.

1. Switch the printer off and disconnect the AC power cable.

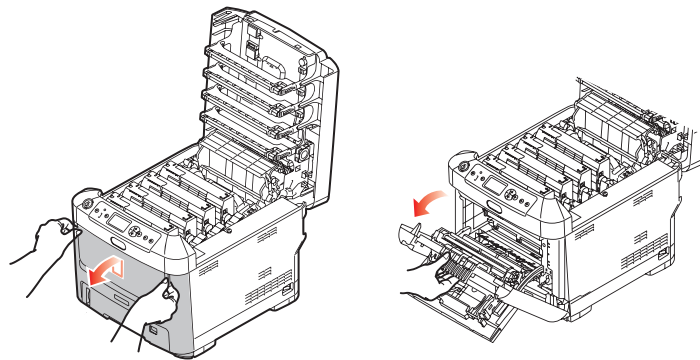


2. Press the cover release and open the printer's top cover fully.

WARNING!

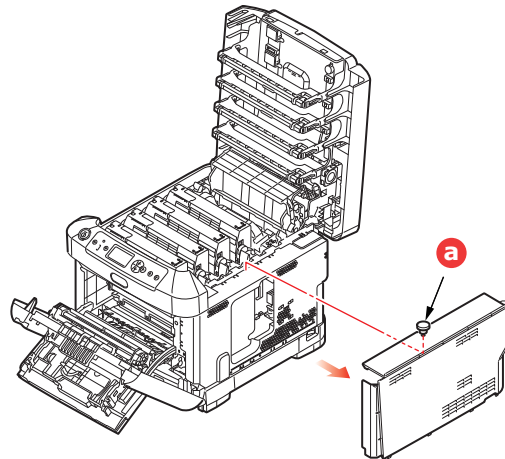
If the printer has been powered on recently, the fuser will be hot. This area is clearly labelled. Do not touch.

3. Pull down the MP Tray using the depressions. Lift the front cover release lever and lower the front cover.

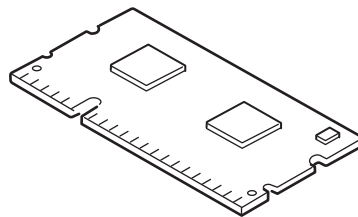


4. Loosen the screw (a) securing the right-hand side cover.

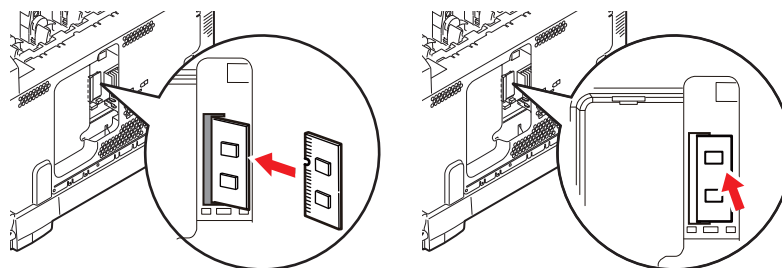
5. Lift the edge of the side cover slightly and pull the cover away from the printer at the top. Lift the cover slightly to detach it from the printer. Place it safely to one side.



6. Carefully remove the new memory board from its wrapping. Try to handle the board only by its short edges, avoiding contact with any metal parts as far as possible. In particular, avoid touching the edge connector.
7. Notice that the memory board has a small cutout in the edge connector, which is closer to one end than the other.

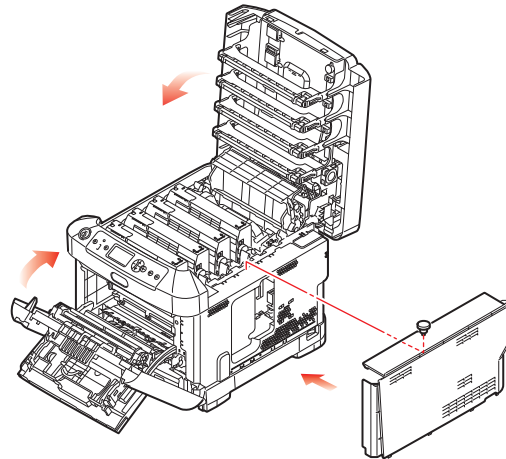


8. Identify the RAM expansion slot in the printer.
9. If the RAM expansion slot already contains a memory upgrade board, that board will have to be removed before you can install the new one. To remove it, proceed as follows, otherwise skip to step 10.
 - (a) Release retaining clips and pull the board out of the slot.
 - (b) Place the removed memory board in the antistatic bag which originally contained the new memory board.
10. Hold the new memory board by its short edges, so that the edge connector faces in towards the RAM expansion slot, and the small cutout is closer to the rear of the printer.
11. Gently push the board into the RAM expansion slot until it latches in and will not go any further.



12. Locate the retaining clips at the bottom of the side cover into their rectangular holes near the bottom of the printer.

13. Close the top of the side cover up to the printer and refit the securing screw loosened in step 4.



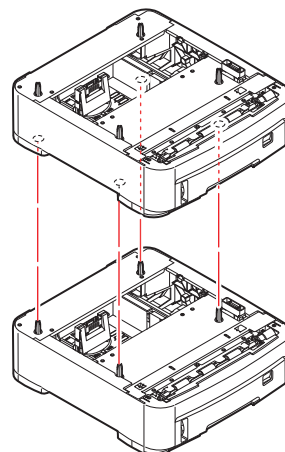
14. Close the front cover, and close the top cover, pressing down firmly at each side to latch it closed.
15. Reconnect the AC power cable and switch the printer on.
16. When the printer is ready, print a menu map as follows:
 - (a) Press the **Enter** button.
 - (b) Press the **Menu down** button then the **Enter** button to select the Print Information menu.
 - (c) Select **Configuration** with the **Enter** button.
 - (d) Press the **Enter** button once more to execute the Configuration menu.
 - (e) When the Configuration map is printed, press **On Line** to exit the menu system.
17. Examine the first page of the menu map.

Near the top of the page, between the two horizontal lines, you will see the current printer configuration. This list contains the figure for total memory size.

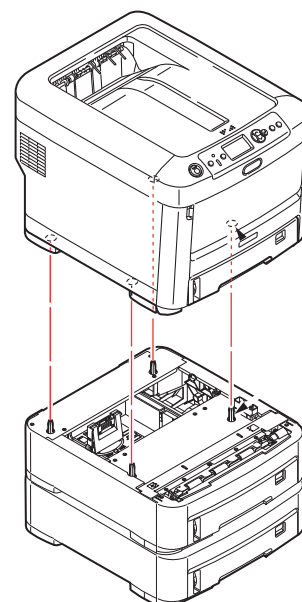
This should indicate the total memory now installed.

ADDITIONAL PAPER TRAY(S)

1. Switch the printer off and disconnect the AC power cable.
2. Place additional paper tray(s) on desired location.



3. Observing safety rules for lifting and, using locating guides, place printer on top of the additional paper tray(s).



4. Re-connect the AC power cable and switch the printer ON.

All that remains is to adjust the printer driver to make full use of the new features.
(See ["Setting the driver device options"](#) on page 73.)

SETTING THE DRIVER DEVICE OPTIONS

Once your new upgrade has been installed, you may need to update the printer driver so that the additional features are available to your applications.

Accessories such as additional paper trays will only be usable if the printer driver on your computer knows they are there.

In some cases the hardware configuration of your machine is automatically detected when the driver is installed. However, it is advisable to at least check whether all of the available hardware features are listed in the driver.

This procedure is essential if you subsequently add extra hardware features to your machine after the drivers have been installed and set up.

Remember that if your machine is shared between users on different computers, the driver must be adjusted on each user's machine.

WINDOWS

1. Access the driver's Properties window. (See ["Changing the driver defaults" on page 21.](#))
2. Select the **Device Options** tab.
3. Set the options for any devices you have just installed.
4. Click **OK** to close the window and save your changes.

MAC OS X

1. Open the Printer Setup Utility and ensure that your printer model is selected.
2. Choose **Printers > Options & Supplies > Options**.
3. Select all hardware options appropriate to your printer, and click **OK**.

STORAGE CABINET

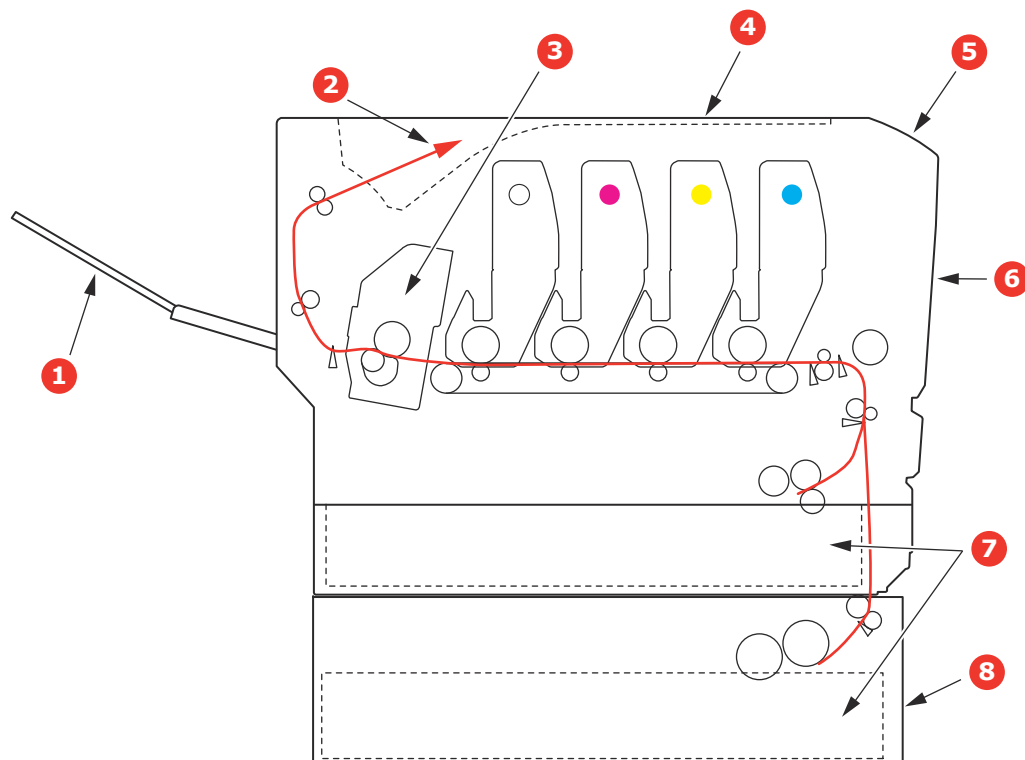
Instructions for installing the Storage Cabinet are supplied with the cabinet.

TROUBLESHOOTING

Provided that you follow the recommendations in this guide on the use of print media, and you keep the media in good condition prior to use, your printer should give years of reliable service. However, paper jams occasionally do occur, and this section explains how to clear them quickly and simply.

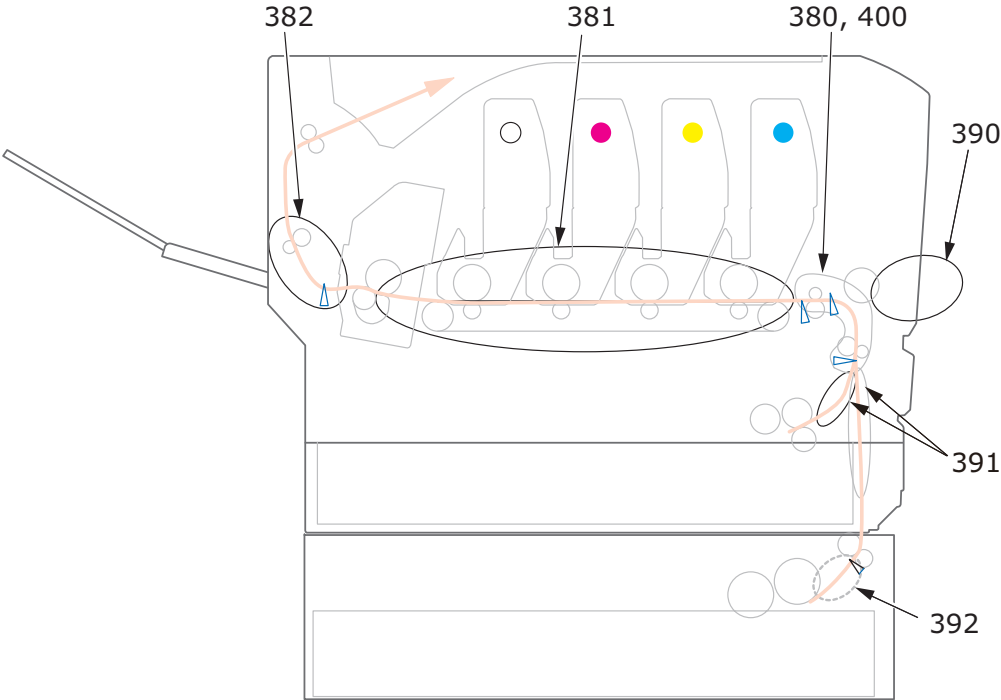
Jams can occur due to paper misfeeding from a paper tray or at any point on the paper path through the printer. When a jam occurs, the printer immediately stops, and the Attention LED on the control panel informs you of the event. If printing multiple pages (or copies), do not assume that, having cleared an obvious sheet, others will not also be stopped somewhere along the path. These must also be removed in order to clear the jam fully and restore normal operation.

MAJOR PRINTER COMPONENTS AND PAPER PATH



- | | |
|---------------------|--------------------------------------|
| 1. Face-up stacker. | 5. Operator panel. |
| 2. Paper exit. | 6. Front cover. |
| 3. Fuser unit | 7. Paper tray. |
| 4. Top cover. | 8. Additional paper tray (if fitted) |

PAPER SENSOR ERROR CODES



CODE #	LOCATION	CODE #	LOCATION
380	Paper feed	391	Paper Tray
381	Paper path	392	2 nd Paper tray ^a
382	Paper exit	400	Paper size
390	MP Tray		

a. If fitted.

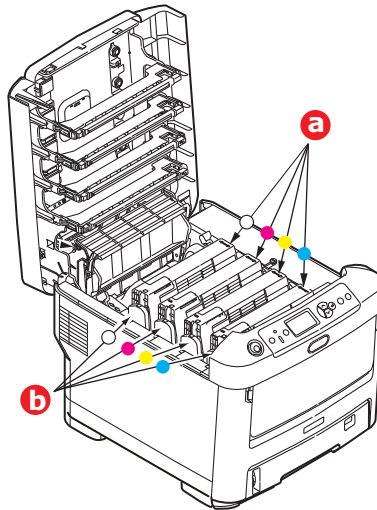
CLEARING PAPER JAMS

1. If a sheet is well advanced out of the top of the printer, simply grip it and pull gently to draw it fully out. If it does not remove easily, do not use excessive force. It can be removed from the rear later.
2. Press the cover release and open the printer's top cover fully.

WARNING!

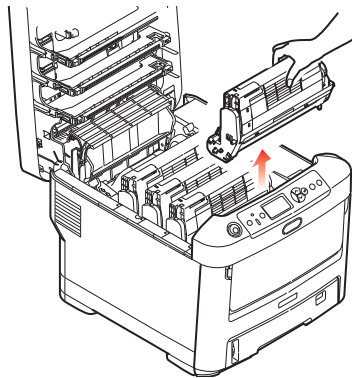
If the printer has been powered on, the fuser will be hot. This area is clearly labelled. Do not touch.

3. Note the positions of the four toner cartridges (a) and image drums (b). It is essential that they go back in the same order.

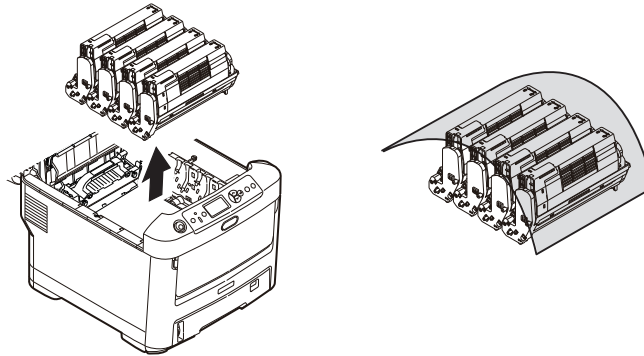


It will be necessary to remove the four image drums to gain access to the paper path.

4. Holding it by its top centre, lift the image drum, complete with its toner cartridge, up and out of the printer.



5. Put the assembly down gently onto a piece of paper to prevent toner from marking your furniture and to avoid damaging the green drum surface, and cover.

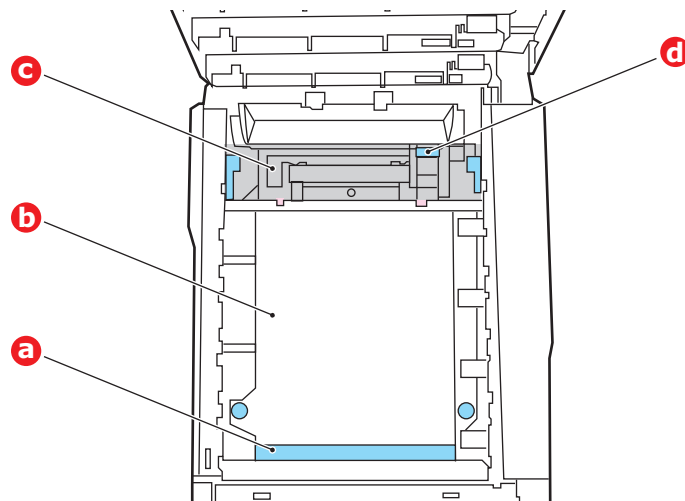


CAUTION!

The green image drum surface at the base of the Image Drum is very delicate and light sensitive. Do not touch it and do not expose it to normal room light for more than 5 minutes. If the drum unit needs to be out of the printer for longer than this, please wrap the cartridge inside a black plastic bag to keep it away from light. Never expose the drum to direct sunlight or very bright room lighting.

6. Repeat this removal procedure for each of the remaining image drum units.

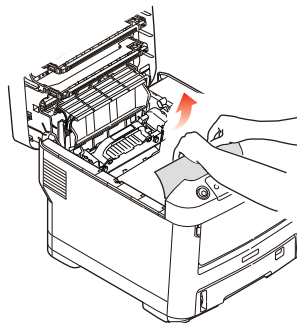
7. Look into the printer to check whether any sheets of paper are visible on any part of the belt unit.



CAUTION!

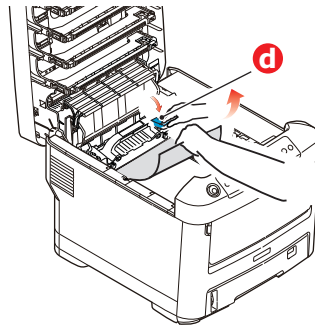
Do not use any sharp or abrasive objects to separate sheets from the belt. This may damage the belt surface.

- (a) To remove a sheet with its leading edge at the front of the belt (a), carefully lift the sheet from the belt and pull it forwards into the internal drum cavity and withdraw the sheet.



- (b) To remove a sheet from the central area of the belt (b), carefully separate the sheet from the belt surface and withdraw the sheet.
- (c) To remove a sheet just entering the fuser (c), separate the trailing edge of the sheet from the belt, push the fuser pressure release lever (d) towards the front and down to release the fuser's grip on the sheet, and withdraw the sheet

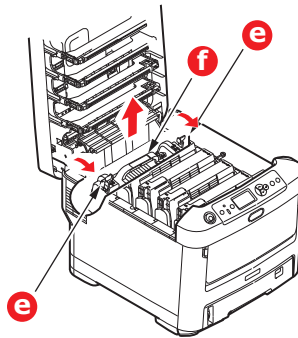
through the drum cavity area. Then allow the pressure release lever to rise again.



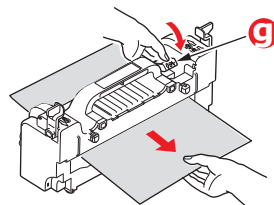
NOTE

If the sheet is well advanced into the fuser (only a short length is still visible), do not attempt to pull it back.

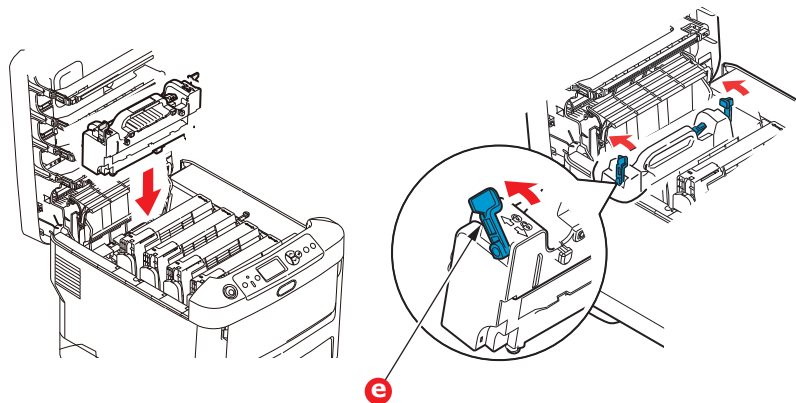
- (d) To remove a sheet in the fuser, push the two retaining levers (e) towards the rear of the printer to release the fuser. Withdraw the fuser unit using the handle (f).



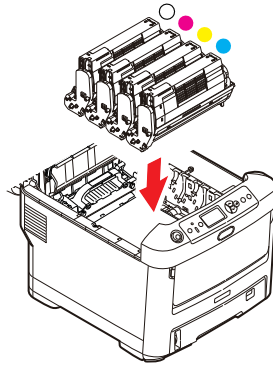
- (e) Press release lever (g) and pull the trapped paper from the fuser.



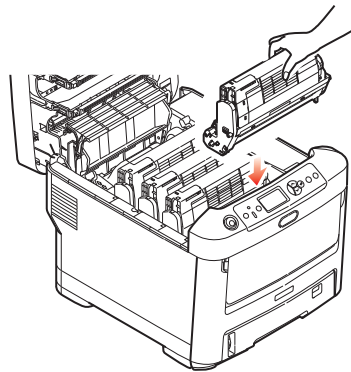
- (f) Replace fuser unit into the machine and move locking levers (e) toward the rear of the machine.



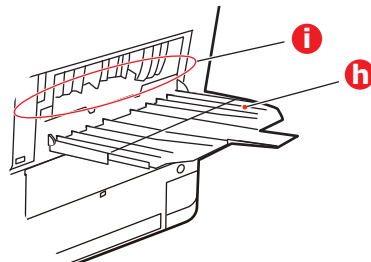
- 8.** Starting with the white image drum unit nearest the fuser, replace the four image drums into the drum cavity, making sure to locate them in the correct order.



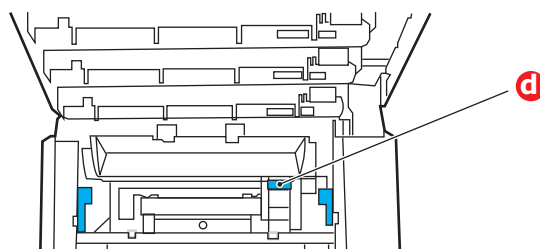
Holding the complete assembly by its top centre, lower it into place in the printer, locating the pegs at each end into their slots in the sides of the printer cavity.



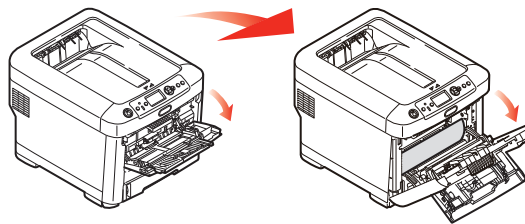
- 9.** Lower the top cover but do not press down to latch it closed yet. This will protect the drums from excessive exposure to room lighting while you check the remaining areas for jammed sheets.
- 10.** Open the rear exit tray (h) and check for a sheet of paper in the rear path area (i).



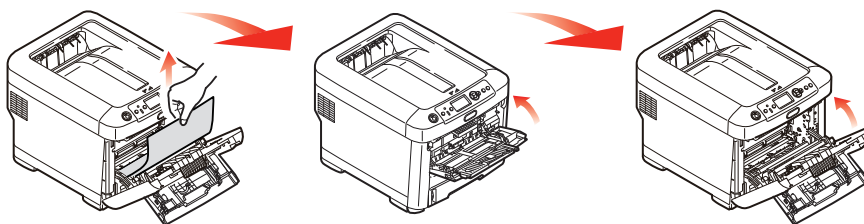
- > Pull out any sheets found in this area.
- > If the sheet is low down in this area and difficult to remove, it is probably still gripped by the fuser. In this case raise the top cover, reach around and press down on the fuser pressure release lever (d).



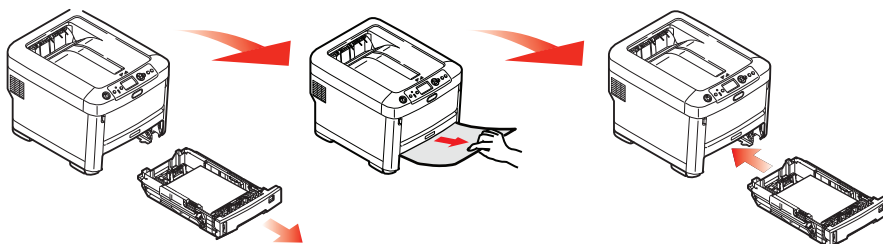
- 11.** If you are not using the rear exit tray, close it once any paper has been removed from this area.
- 12.** Pull down the MP Tray using the depressions. Lift the front cover release lever and lower the front cover.



- 13.** Check inside the cover for sheets in this area and remove any that you find, then close the cover.



- 14.** Pull out the paper tray and ensure that all paper is stacked properly, is undamaged, and that the paper guides are properly positioned against the edges of the paper stack. When satisfied, replace the tray.



- 15.** Finally, close the top cover and press down firmly so that the cover latches closed. When the jam has been cleared, if Jam Recovery is set to ON in the System Adjust Menu, the printer will attempt to reprint any pages lost due to paper jams.

SPECIFICATIONS

N31194B

ITEM	SPECIFICATION
Dimensions	435 x 547 x 389mm (W x D x H)
Weight	27.6Kg approx.
Power supply	220 to 240VAC @ 50/60 Hz \pm 2%
Power consumption	Operating: 1200 max.; 600 W av. (25°C) Standby: 90 W av. (25°C) Power saving: 15 W max. Sleep: approx. 1W (25°C)
Operating environment	Operating 10 to 32 °C/20 to 80% RH (optimum 25 °C wet, 2 °C dry) Off: 0 to 43 °C/10 to 90% RH (optimum 26.8 °C wet, 2 °C dry)
Print environment	30 to 73% RH @ 10 °C; 30 to 54% RH @ 32 °C 10 to 32 °C @ 30% RH; 10 to 27 °C @ 80% RH Colour 17 to 27 °C @ 50 to 0% RH
Noise (Sound pressure level)	Operating: 68dB(A) Standby: 37dB(A)

INDEX

A

Application collate 29

B

Belt
how to replace 63

C

Cleaning
the LED head 67
the paper feed rollers 68
the unit casing 67

Collating
application collate 29
Mac 30
printer collate 29
Windows 30

Cover page 31

Cover print
different cover page 32

Custom page size
general 33
Windows 38
Windows PS 33

E

Envelopes
loading 18

F

Fuser
how to replace 65

I

Image drum
how to replace 60

M

Maintenance menu 55
Major printer components and
paper path 74
Menu functions 42
Menus
factory default settings 43
how to use 42
USB menu 55
Multi purpose tray
how to use 18
paper metrics 13

O

Operator Panel 42

P

Page size
custom 33

Paper
jam clearing 74
jam, error codes 75
loading cassette trays 15
loading letterhead 16
recommended types 13
supported sheet sizes 13

Printer collate 29

Printer overview 10

S

Separator page 31

Switching off correctly 45

T

Toner
how to replace 57

Transfer/transparency film
printing 38

U

Upgrades
additional paper tray(s) 72
memory 69
storage cabinet 73

OKI CONTACT DETAILS

OKI Systems (UK) Ltd

Blays House
Wick Road
Egham
Surrey
TW20 0HJ

Tel: +44 (0) 1784 274300
Fax: +44 (0) 1784 274301
<http://www.oki.co.uk>

OKI Systems Ireland Limited

The Square Industrial Complex
Tallaght
Dublin 24

Tel: +353 (0) 1 4049590
Fax: +353 (0) 1 4049591
<http://www.oki.ie>

OKI Systems Ireland Limited - Northern Ireland

19 Ferndale Avenue
Glengormley
BT36 5AL
Northern Ireland

Tel: +44 (0) 7767 271447
Fax: +44 (0) 1 404 9520
<http://www.oki.ie>

Technical Support for all Ireland:
Tel: +353 1 4049570
Fax: +353 1 4049555
E-mail: tech.support@oki.ie

OKI Systems (Czech and Slovak), s.r.o.

Futurama Business Park -
Sokolovská 651/136A
186 00 Praha 8
Czech Republic

Tel: +420 224 890158
Fax: +420 22 232 6621
Website: www.oki.cz, www.oki.sk

OKI Systems (Deutschland) GmbH

Hansaallee 187
40549 Düsseldorf

Tel: +49 (0) 211 / 5266-0
Fax: +49 (0) 211 59 33 45
Website: www.oki.deinfo@oki.de

Albania, Bosnia, Bulgaria, Croatia,
Cyprus, Estonia, Greece, Israel,
Latvia, Lithuania, Macedonia,
Romania, Serbia, Slovenia

CEE Export Group: OKI Systems (Poland) Ltd

ul. Domaniewska 42
02-672 Warsaw
Poland

Tel: +48 (0) 22 448 65 00
Fax: +48 (0) 22 448 65 0
E-mail: tech@oki.com.pl

OKI Systèmes (France) S.A.

Zone Silic - Immeuble Osaka
21 rue du Jura
CS 90277
94633 RUNGIS Cedex
Paris

Tél: Standard 0820 200 410
(0.09€/min depuis une ligne fixe*)
Hotline 01 76 54 21 50 (n° non
surtaxé)
Website: www.oki.fr

OKI Systems (Magyarország) Kft.

Capital Square
Tower 2
7th Floor
H-1133 Budapest,
Váci út 76
Hungary

Telefon: +36 1 814 8000
Telefax: +36 1 814 8009
Website: www.okihu.hu

OKI Systems (Italia) S.p.A.

via Milano, 11,
20084 Lacchiarella (MI)

Tel: +39 (0) 2 900261
Fax: +39 (0) 2 90026344
Website: www.oki.it

OKI Systems (Polska) Sp. z o.o

Platinum Business Park II, 3rd
Floor
ul. Domaniewska 42
02-672 Warsaw
Poland

Tel: +48 22 448 65 00
Fax: +48 22 448 65 01
Website: www.oki.com.pl
E-mail: oki@oki.com.pl
Hotline: 0800 120066
E-mail: tech@oki.com.pl

OKI Europe Limited, Sucursal em Portugal

Av. Quinta Grande 53
7° D Alfragide
2614-521 Amadora
Portugal

Tel: +351 21 470 4200
Fax: +351 21 470 4201
Website: www.oki.pt
E-mail : oki@oki.pt

OKI Service Serviço de apoio técnico ao Cliente

Tel: 214 727 660
E-mail : okiserv@oki.pt

OKI Systems Rus, LLC (Russia)

Sector B, 3rd Floor, Svyatogor-4
Business Center10/4, Letnikovskaya
str.115114, Moscow

Tel: +7 495 276 5060
Fax: +7 495 258 6070
e-mail: info@oki.ru
Website: www.oki.ru

Technical support:
Tel: +7 495 564 8421
e-mail: tech@oki.ru

OKI Systems (Österreich)

Campus 21
Businesszentrum Wien Sued
Liebermannstrasse A02 603
22345 Brun am Gebirge

Tel: +43 223 6677 110
Service-Hotline:
+43 (0) 2236/677 110-501
Website: www.oki.at

OKI Europe Ltd. (Ukraine)

Raisy Opkinoy Street,8
Building B, 2nd Floor,
Kiev 02002
Ukraine

Tel: +380 44 537 5288
e-mail: event@oki.ua
Website: www.oki.ua

OKI Sistem ve Yazıcı Çözümleri Tic. Ltd. Şti.

Harman sok Duran Is Merkezi,
No:4, Kat:6,
34394, Levent
İstanbul

Tel: +90 212 279 2393
Faks: +90 212 279 2366
Web: www.oki.com.tr

OKI Systems (Belgium)

Medialaan 24
1800 Vilvoorde

Helpdesk: 02-2574620
Fax: 02 2531848
Website: www.oki.be

OKI Systems (Danmark) a-s

Herstedøstervej 27
2620 Albertslund
Danmark

Adm.: +45 43 66 65 00
Fax: +45 43 66 65 90
E-mail: salg@oki.dk /
support@oki.dk
Website: www.oki.dk

Oki Systems (Finland) Oy

Polaris Capella
Vänrikinkuja 3
02600 Espoo

Tel: +358 (0) 207 900 800
Fax: +358 (0) 207 900 809
Website: www.oki.fi

Oki Systems (Holland) b.v.

Neptunustraet 27-29
2132 JA Hoofddorp

Helpdesk: 0800 5667654
Tel: +31 (0) 23 55 63 740
Fax: +31 (0) 23 55 63 750
Website: www.oki.nl

Oki Systems (Norway) AS

Tevlingveien 23
N-1081 Oslo

Tel: +47 (0) 63 89 36 00
Telefax: +47 (0) 63 89 36 01
Website: www.oki.no

Var vänlig kontakta din
Återförsäljare i första hand, för
konsultation. I andra hand kontakta

Oki Systems (Sweden) AB

Borgafjordsgatan 7
Box 1193
164 26 Kista

Tel. +46 (0) 8 634 37 00
e-mail: info@oki.se
Website: www.oki.se

Oki Systems (Schweiz)

Baslerstrasse 15
CH-4310 Rheinfelden

Support deutsch +41 61 827 94 81
Support français +41 61 827 94 82
Support italiano +41 061 827 9473

Tel: +41 61 827 9494
Website: www.oki.ch

Oki Data Americas Inc.(United States • États-Unis)

2000 Bishops Gate Blvd.
Mt. Laurel, NJ 08054
USA

Tel: 1-800-654-3282
Fax: 1-856-222-5247
<http://WWW.OKIPRINTINGSOLUTIONS.COM>
<http://my.okidata.com>

Oki Data Americas Inc.(Canada • Canadá)

4140B Sladeview Crescent Unit 7 & 8
Mississauga, Ontario
Canada L5L 6A1

Tél: 1-905-608-5000
Télé: 1-905-608-5040
<http://WWW.OKIPRINTINGSOLUTIONS.COM>

Oki Data Americas Inc.(América Latina (OTRO))

2000 Bishops Gate Blvd.
Mt. Laurel, NJ 08054
USA

Tel (Español): 1-856-222-7496
1-856-222-5276
Fax: 1-856-222-5260
Email: LASatisfaction@okidata.com

Oki Data de Mexico, S.A. de C.V.

Mariano Escobedo #748, Piso 8
Col. Nueva Anzures
C.P. 11590, México, D.F.

Tel: 52-555-263-8780
Fax: 52-555-250-3501
<http://WWW.OKIPRINTINGSOLUTIONS.COM>

Oki Data do Brasil Informática Ltda.

Av. Alfredo Egídio de Souza Aranha,
100 - 5º Andar - Bloco C
Chácara Santo Antonio - São Paulo,
SP - Brasil
CEP: 04726-170

Tel: 55-11-3543-5500 (Grande São Paulo)
0800-11-5577 (Demais localidades)
Fax: 55-11-3444-3501
email: okidata@okidata.com.br
[HTTP://www.okiprintingsolutions.com](http://www.okiprintingsolutions.com)

Argentina/Chile/Paraguay/Perú/Uruguay**Oki Data Americas, Inc.**

Sucursal Argentina
Ugarte 3610 Piso 4º(1605) Olivos
Buenos Aires, Argentina

TEL: +54 11 5288 7500
Fax: +54 11 5288 7599

Colombia/Ecuador/Venezuela/ Centroamérica y Caribe Oki Data Americas, Inc.

Sucursal Colombia
Carrera 13 #97-51, Oficina 101
Bogotá Colombia

TEL: +57 1 704 5159

Oki Data (Singapore) Pte. Ltd.

438A Alexandra Road #02-11/12,
Lobby 3, Alexandra Technopark
Singapore(119967)

Tel: (65) 6221 3722
Fax: (65) 6594 0609
<http://www.okidata.com.sg>

Oki Systems (Thailand) Ltd.

1168/81-82 Lumpini Tower,
27th Floor Rama IV Road
Tungmahamek, Sathorn
Bangkok 10120

Tel: (662) 679 9235
Fax: (662) 679 9243/245
<http://www.okisysthai.com>

Oki Data(Australia) Pty Ltd.

Level1 67 Epping Road, Macquarie
Park
NSW 2113, Australia

Tel: +61 2 8071 0000
(Support Tel: 1800 807 472)
Fax: +61 2 8071 0010
<http://www.oki.com.au>

OKI Data New Zealand

8 Antares Place Rosedale,
Auckland, 0632 New Zealand

Tel: (64) 9 477 0500
Fax: (64) 9 477 0549
<http://www.oki.co.nz/>

Oki Data(S) P Ltd. Malaysia Rep Office

Suite 21.03, 21st Floor Menara IGB,
Mid Valley City,
Lingkaran Syed Pura 59200,
Kuala Lumpur, Malaysia

Tel: (60) 3 2287 1177
Fax: (60) 3 2287 1166

Oki Data Corporation

4-11-22 Shibaura, Minato-ku, Tokyo
108-8551, Japan

www.okiprintingsolutions.com