



# Lexmark X860 Series

Full multifunction power for all your business needs



X860de



Mono



11"x17"



Print



Copy



Scan



Fax



Up to 55 ppm



Duplex  
printing



Network

## Print less. Save more

Print less? This may seem like a surprising message for a company dedicated to printing. But when you consider that businesses spend on average up to 6% of their revenue on printing and that active print management can cut office print costs by up to 30%<sup>1</sup>, it makes a lot of sense. Lexmark products, solutions and services provide innovative ways to save you time, drive down costs and reduce your impact on the environment. We are committed to helping you print less and save more.

Built for your most demanding document needs, these powerful multifunction devices support media sizes up to 11x17 inches (tabloid) and deliver print and copy speeds as fast as 55 pages per minute. You'll benefit from flexible paper handling, advanced finishing options, leading-edge security and the simplicity of Lexmark's user-friendly e-Task colour touch screen. Best of all, Lexmark X860 Series MFPs are solutions-ready. Gain real momentum by adding application solutions tailored to the way you work.

## Powerful information hub

The Lexmark X860 Series is built for speed, engineered for endurance and designed to take your productivity to the next level. These powerful devices bring serious multifunction muscle to your work team, while making it easy to manage and share information in less time, at lower cost.

- ▶ Models ranging from 35 ppm to 55 ppm, all available with optional fax
- ▶ All models include Lexmark's Embedded Solutions Framework, the solutions platform that lets you install tailored print and imaging solutions on the MFP and drive them from the touch screen
- ▶ Hard disk comes standard, providing expanded functionality
- ▶ Gigabit networking is also standard, ensuring fast data transfer

## State-of-the-art security

For added peace of mind, Lexmark X860 Series MFPs include state-of-the-art features for secure management, network communication and information storage. What's more, they offer customisable user-access controls, which let you enable or disable functions with ease.

- ▶ IPSec, SNMPv3 and 802.1x network security
- ▶ Secure data encryption and disk wiping
- ▶ Cutting-edge access restrictions, including LDAP
- ▶ Proactively tracks and identifies security risks

## Versatile document management

Optimise your print and imaging experience without burdening your budget. Lexmark X860 Series MFPs produce outstanding results over a broad range of media sizes and types, including labels and card stock. An impressive selection of paper handling and finishing options let you equip your Lexmark X860 with a variety of tools to create the highest-quality documents in-house, saving you time and money.

- ▶ 75-sheet automatic document feeder lets you efficiently scan or copy multipage two-sided originals up to 11x17 inches (tabloid size)
- ▶ Add a 2,000-sheet input option for high-volume printing or copying
- ▶ Extra-input models (dte/dhe) available: up to 3,100 sheets standard, expandable up to 5,100 sheets
- ▶ Optional standard finisher staples, hole punches and offset-stacks up to 50 sheets automatically
- ▶ Optional booklet finisher adds folding and saddle-stitch capabilities, along with automatic overlap adjustment, for professional results

<sup>1</sup> Source: InfoTrends/CapVentures, Network Document Solutions Forecast 2007-2012, Network Document Solutions Consulting Service, August 2008



### As easy as it gets

Lexmark X860 Series MFPs are a breeze to operate. Via the 22.9 cm (9-inch) colour touch screen, you can easily access all key functions, including print, copy, fax, scan-to, and any tailored solutions you choose to add. The intuitive 'Show Me' screen graphics are another nice touch, in addition to the Direct USB port located on the operator panel.

- ▶ Touch screen icons provide easy one-touch access to basic functions and workflow applications
- ▶ On-screen 'Show Me' graphics coach users through common printing and maintenance actions
- ▶ Insert your flash drive into the convenient Direct USB port to print documents on the go, or to scan documents directly to your portable flash drive instead of making paper copies
- ▶ The MyMFP feature allows all members of your workgroup to save and retrieve their own touch screen settings on a flash drive

### Save time and money with Lexmark solutions

Consolidating all critical functions into one secure, high-performance device is an ideal way to save costs and boost efficiency. Lexmark multifunction technology takes productivity to an even greater level, offering you a wide range of intelligent applications that can dramatically enhance the way you work.

The extra-large colour e-Task touch screen gives you more than just access to basic functions; it's also an intuitive dashboard for activating automated workflow tools and streamlining repetitive office tasks—all with the simple touch of an icon.

Choose from our large portfolio of solution applications, or let us customise one for you. You'll be amazed at the efficiency and savings that Lexmark solutions deliver!

### The productivity checklist:

#### Enormously intuitive touch screen

Lexmark's award-winning 22.9 cm (9-inch) colour e-Task touch screen gives you fast, easy access to document capture and workflow functions. Tailor it to your business requirements with the icons and shortcuts you need most. You can even change the background image to whatever suits you best, like your company logo.

#### Optional finishing

Save time, money and office space by eliminating preprinted documents and producing more of your print jobs on demand and in-house. Lexmark X860 Series MFPs offer all the finishing options you need to make it happen, including stapling, hole punching (2/3 or 2/4 holes), offset stacking and booklet folding with overlap adjustment.

#### Multitalented copying

Benefit from a rich range of advanced copy functions to boost your productivity, such as Priority Copy to interrupt long print runs temporarily; ID Card Copy to copy both sides of a card on to a single sheet; Sample Copy to proof the first copy set before printing the remaining copies; and Remote Copy, which you can use to scan colour documents on your monochrome Lexmark X860 Series MFP and retrieve them from a Lexmark colour laser printer.

#### Efficient traffic shaping

When you email a large file from your Lexmark X860 Series MFP, it won't cause a traffic jam on your network. That's because traffic-shaping technology can partition your network traffic and designate lower bandwidth for outbound flows. This is especially useful for busy networks and externally hosted web servers.



### **On-screen scan previews**

Before you scan and email an important image file, see how it looks and fits on the page. Should it be in colour or black and white? Is the page orientation correct? Are you sure you scanned the correct side of the page? You may also want to check the file size of the scanned document before you save or forward it. The Lexmark X860 Series lets you preview your scan and the file size, saving you time and eliminating errors.

### **Personalised user settings**

A real efficiency booster, Lexmark's new MyMFP feature enables multiple users to save and re-access their personal settings on their hand-held flash drive, including their local address book, personal fax numbers, individual copy settings, and even their own touch-screen configuration. Simply walk up to the MFP, slide in your flash drive and the MFP literally transforms into your personal device—a warm welcome each time you use it!

### **Lexmark's Embedded Solutions Framework**

Experience more productivity than you could ever imagine! Lexmark's new MFPs come solutions-ready, so you can easily opt for one of Lexmark's leading workflow-enhancing applications, such as Forms on Demand, Print Release, Card Copy, Eco-Copy, Document Accounting and many more. These solutions are specially designed to help you lower costs, streamline your work processes and improve productivity by enabling you to move information more efficiently throughout your enterprise. To find out how Lexmark solution apps can boost your performance, call your Lexmark representative today.

### **Lexmark's guarantee to you**

Lexmark's 1-Year Onsite warranty on the Lexmark X860 Series gives you added peace of mind. Enhanced service offerings are available by contacting your Lexmark representative or visiting [www.lexmark.com](http://www.lexmark.com). Optimise your MFP's performance and investment value by using genuine Lexmark supplies, service and parts.

(See Lexmark Statement of Limited Warranty for full details)



**Intuitive touch screen**

Enjoy easy one-touch access to document capture and workflow functions.



**Two-sided savings**

Make duplex copies of single-sided documents to cut paper use in half.



**Direct USB**

Front-side Direct USB port offers convenient walk-up printing and scanning of image files.



**Optimal security**

Integrated card reader option\* quickly authenticates users and enhances document security.



**Booklet finisher**

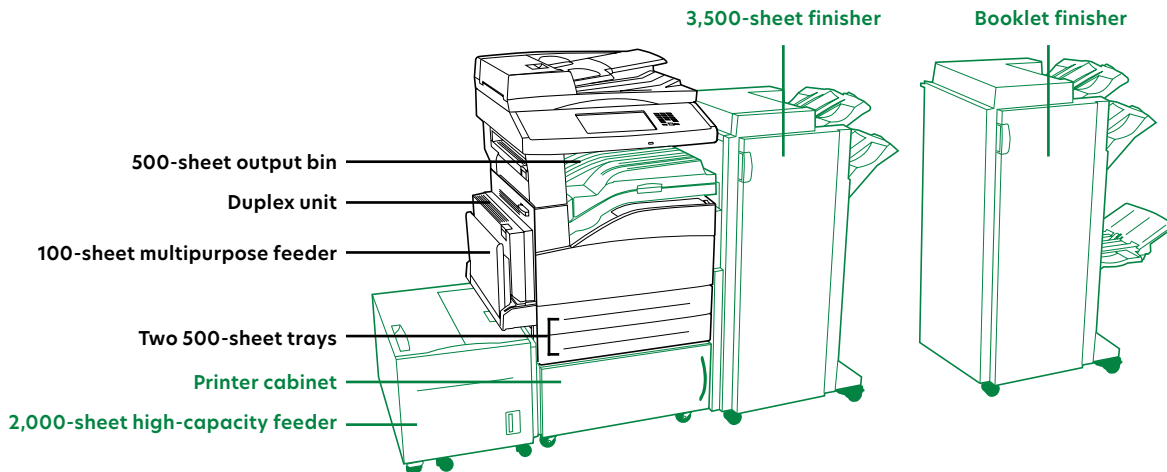
This versatile option lets you create commercial-quality presentations, manuals, booklets, brochures and newsletters in-house.



**Long-lasting toner**

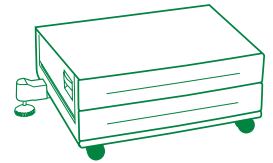
Genuine Lexmark cartridges ensure a low cost per page, fewer cartridge changes, and less waste.

\*Contact a Lexmark representative to learn more

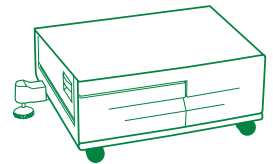


- Standard
- Optional

2 x 500-sheet drawer



2 x 500-sheet drawer



**X860de 4**

Part #	Models
19Z0200	Lexmark X860de 4

Part #	Laser toner/print cartridge
X860H21G	X860e, X862e, X864e High Yield Toner Cartridge
X860H22G	X860e, X862e, X864e Photoconductor Kit
25A0013	Staple Cartridges (3 pack)
21Z0357	Booklet Saddle Staple Cartridges (4 pack)

Part #	Paper and transparencies
70X7240	Laser printer transparencies (letter)

Part #	Paper handling
15R0146	2 x 500-sheet drawer
15R0120	2000-sheet dual input
15R0145	High capacity feeder
15R0144	Finisher (2/3-hole)
15R0335	Booklet finisher (2/3-hole)

Part #	Furniture
15R0140	Printer cabinet

Part #	Memory options
1025041	256MB DDR2-DRAM
1025042	512MB DDR2-DRAM
1025043	1024MB DDR2-DRAM
14F0245	256MB Flash Card
30G0828	Japanese Font Card
30G0825	Korean Font Card
30G0826	Simplified Chinese Font Card
30G0827	Traditional Chinese Font Card

Part #	Application solutions
30G0829	Lexmark PrintCryption Card
19Z0030	X860de, X862de, X864de Forms and Bar Code Card
19Z0031	X860de, X862de, X864de Card for IPDS/SCS/TNe

Part #	Connectivity
1021294	USB Cable (2-meter)
14F0042	MarkNet N8130 Fiber Ethernet
14F0040	100BaseFX, 10BaseFL Print Server
14T0145	MarkNet N8150 802.11b/g/n Wireless Print Server
1021231	Lexmark N4050e 802.11g Wireless Print Server
1021231	Parallel Cable (10-foot)
14F0000	Parallel 1284-B Interface Card
1021231	Parallel Cable (10-foot)
14F0100	RS-232C Serial Interface Card

Part #	Extended warranties
--------	---------------------

2351544	X860e 2-Years Total (1+1) Onsite Service, Next Business Day
2351545	X860e 3-Years Total (1+2) Onsite Service, Next Business Day
2351546	X860e 4-Years Total (1+3) Onsite Service, Next Business Day
2351547	X860e 5-Years Total (1+4) Onsite Service, Next Business Day
2351548	X860e 1-Year Onsite Service Renewal, Next Business Day

Part #	User replaceable parts
--------	------------------------

40X0394	X850e, X852e, X854e Fuser Maintenance Kit 110-120V
---------	--

Part #	Service parts
--------	---------------

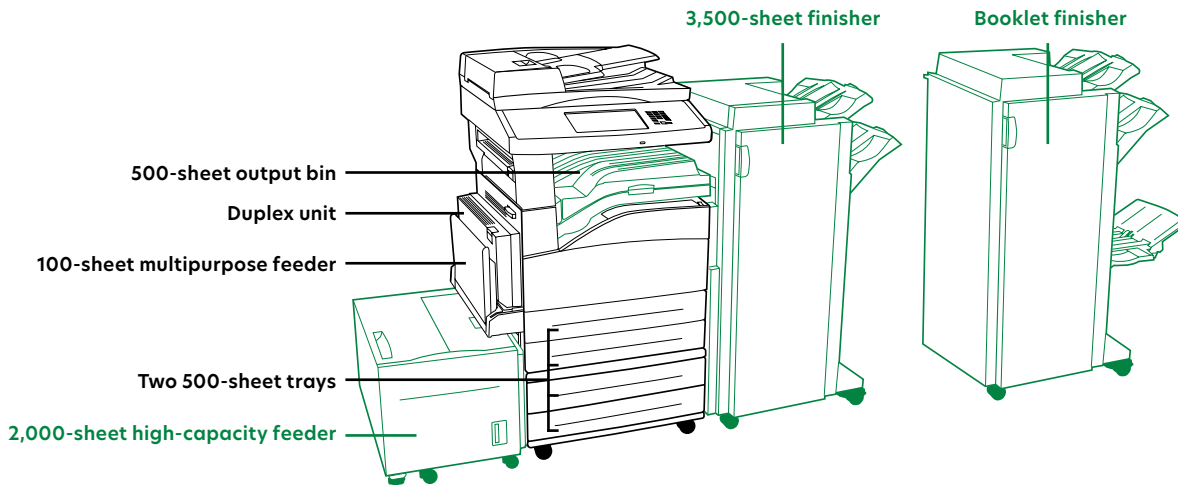
40X2734	X85xe ADF Maintenance Kit
40X0770	X850e, X852e, X854e ADF Feed unit roll kit

Part #	Installation service
--------	----------------------

2351569	X860e Install, De-Install Service
---------	-----------------------------------

**Other model available:**  
Lexmark X860de 3: duplex MFP with optional fax function, Part #19Z0100

**In the box**  
Lexmark X860de 4 Multifunction Printer with Fax, Up to 35,000\*-page High Yield Toner Cartridge, Photoconductor kit, Software and documentation CD, Setup guide or sheet (network and local attachment), Power cord(s), RJ-11 Phone Cable or RJ-11 Phone Adapter(s) (country dependent), Statement of limited warranty / guarantee, Lexmark Cartridge Collection Programme information, Safety sheet or booklet



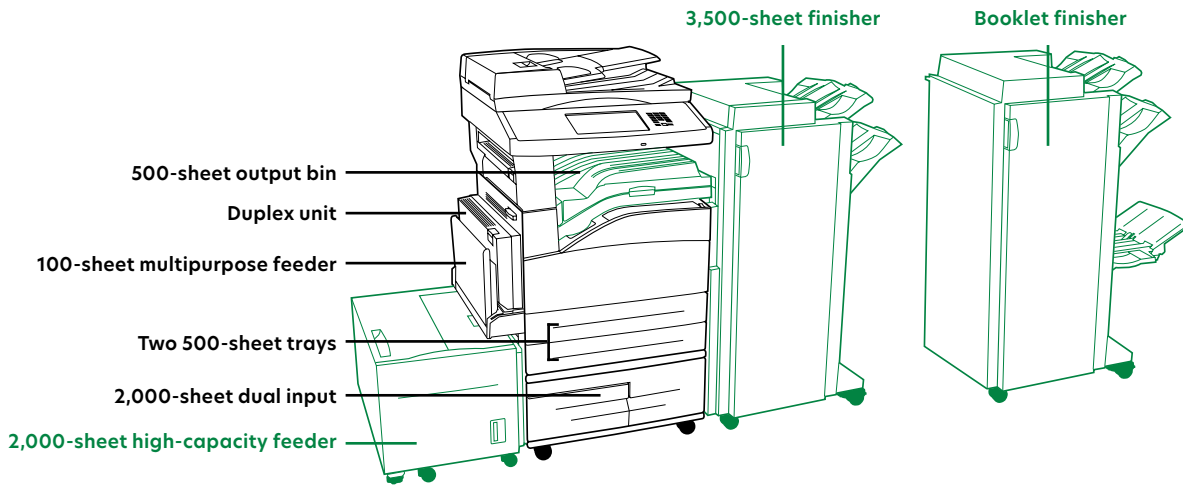
- Standard
- Optional

### Lexmark X862dte 4

Part #	Models	Part #	Extended warranties
19Z0201	Lexmark X862dte 4	2351572	X862e 2-Years Total (1+1) Onsite Service, Next Business Day
<b>Part #</b>	<b>Laser toner/print cartridge</b>	2351573	X862e 3-Years Total (1+2) Onsite Service, Next Business Day
X860H21G	X860e, X862e, X864e High Yield Toner Cartridge	2351574	X862e 4-Years Total (1+3) Onsite Service, Next Business Day
X860H22G	X860e, X862e, X864e Photoconductor Kit	2351575	X862e 5-Years Total (1+4) Onsite Service, Next Business Day
25A0013	Staple Cartridges (3 pack)	2351576	X862e 1-Year Onsite Service Renewal, Next Business Day
21Z0357	Booklet Saddle Staple Cartridges (4 pack)	<b>Part #</b>	<b>User replaceable parts</b>
<b>Part #</b>	<b>Paper and transparencies</b>	40X0394	X850e, X852e, X854e Fuser Maintenance Kit 110-120V
70X7240	Laser printer transparencies (letter)	<b>Part #</b>	<b>Service parts</b>
<b>Part #</b>	<b>Paper handling</b>	40X2734	X85xe ADF Maintenance Kit
15R0145	High capacity feeder	40X0770	X850e, X852e, X854e ADF Feed unit roll kit
15R0144	Finisher (2/3-hole)	<b>Part #</b>	<b>Installation service</b>
15R0335	Booklet finisher (2/3-hole)	2351597	X862e Install, De-Install Service
<b>Part #</b>	<b>Memory options</b>		
1025041	256MB DDR2-DRAM		
1025042	512MB DDR2-DRAM		
1025043	1024MB DDR2-DRAM		
14F0245	256MB Flash Card		
30G0828	Japanese Font Card		
30G0825	Korean Font Card		
30G0826	Simplified Chinese Font Card		
30G0827	Traditional Chinese Font Card		
<b>Part #</b>	<b>Application solutions</b>		
30G0829	Lexmark PrintCryption Card		
19Z0030	X860de, X862de, X864de Forms and Bar Code Card		
19Z0031	X860de, X862de, X864de Card for IPDS/SCS/TNe		
<b>Part #</b>	<b>Connectivity</b>		
1021294	USB Cable (2-meter)		
14F0042	MarkNet N8130 Fiber Ethernet 100BaseFX, 10BaseFL Print Server		
14F0040	MarkNet N8150 802.11b/g/n Wireless Print Server		
14T0145	Lexmark N4050e 802.11g Wireless Print Server		
1021231	Parallel Cable (10-foot)		
14F0000	Parallel 1284-B Interface Card		
14F0100	RS-232C Serial Interface Card		

**Other model available:**  
Lexmark X862dte 3: duplex MFP with optional fax function, Part #19Z0101

**In the box**  
Lexmark X862de 4 Multifunction Printer with Fax, Includes 2 x 500-Sheet Drawer, Up to 35,000\*-page High Yield Toner Cartridge, Photoconductor kit, Software and documentation CD, Setup guide or sheet (network and local attachment), Power cord(s), RJ-11 Phone Cable or RJ-11 Phone Adapter(s) (country dependent), Statement of limited warranty / guarantee, Lexmark Cartridge Collection Programme information, Safety sheet or booklet



- Standard
- Optional

### Lexmark X864dhe 4

Part #	Models	Part #	Extended warranties
19Z0202	Lexmark X864dhe 4	2351600	X864e 2-Years Total (1+1) Onsite Service, Next Business Day
<b>Part #</b>	<b>Laser toner/print cartridge</b>	2351601	X864e 3-Years Total (1+2) Onsite Service, Next Business Day
X860H21G	X860e, X862e, X864e High Yield Toner Cartridge	2351602	X864e 4-Years Total (1+3) Onsite Service, Next Business Day
X860H22G	X860e, X862e, X864e Photoconductor Kit	2351603	X864e 5-Years Total (1+4) Onsite Service, Next Business Day
25A0013	Staple Cartridges (3 pack)	2351604	X864e 1-Year Onsite Service Renewal, Next Business Day
21Z0357	Booklet Saddle Staple Cartridges (4 pack)	<b>Part #</b>	<b>User replaceable parts</b>
<b>Part #</b>	<b>Paper and transparencies</b>	40X0394	X850e, X852e, X854e Fuser Maintenance Kit 110-120V
70X7240	Laser printer transparencies (letter)	<b>Part #</b>	<b>Service parts</b>
<b>Part #</b>	<b>Paper handling</b>	40X2734	X85xe ADF Maintenance Kit
15R0145	High capacity feeder	40X0770	X850e, X852e, X854e ADF Feed unit roll kit
15R0144	Finisher (2/3-hole)	<b>Part #</b>	<b>Installation service</b>
15R0335	Booklet finisher (2/3-hole)	2351625	X864e Install, De-Install Service
<b>Part #</b>	<b>Memory options</b>		
1025041	256MB DDR2-DRAM		
1025042	512MB DDR2-DRAM		
1025043	1024MB DDR2-DRAM		
14F0245	256MB Flash Card		
30G0828	Japanese Font Card		
30G0825	Korean Font Card		
30G0826	Simplified Chinese Font Card		
30G0827	Traditional Chinese Font Card		
<b>Part #</b>	<b>Application solutions</b>		
30G0829	Lexmark PrintCryption Card		
19Z0030	X860de, X862de, X864de Forms and Bar Code Card		
19Z0031	X860de, X862de, X864de Card for IPDS/SCS/TNe		
<b>Part #</b>	<b>Connectivity</b>		
1021294	USB Cable (2-meter)		
14F0042	MarkNet N8130 Fiber Ethernet		
14F0040	100BaseFX, 10BaseFL Print Server		
14T0145	MarkNet N8150 802.11b/g/n Wireless Print Server		
1021231	Lexmark N4050e 802.11g Wireless Print Server		
14F0000	Parallel Cable (10-foot)		
14F0100	Parallel 1284-B Interface Card		
	RS-232C Serial Interface Card		

**Other model available:**  
Lexmark X864dhe 3: duplex MFP with optional fax function, Part #19Z0102

**In the box**  
Lexmark X864dhe 4 Multifunction Printer with Fax, Includes 2,000-Sheet Dual Input Drawer, Up to 35,000\*-page High Yield Toner Cartridge, Photoconductor kit, Software and documentation CD, Setup guide or sheet (network and local attachment), Power cord(s), RJ-11 Phone Cable or RJ-11 Phone Adapter(s) (country dependent), Statement of limited warranty / guarantee, Safety sheet or booklet, Lexmark Cartridge Collection Programme information





Product specifications	Lexmark X860de 4	Lexmark X862dte 4	Lexmark X864dhe 4
<b>Print</b>			
Display	Lexmark e-Task 22.9 cm (9-inch) colour touch screen		
Print Speed: Up to	Black: 35 ppm	Black: 45 ppm	Black: 55 ppm
Time to First Page: As fast as	Black: 6 seconds		Black: 6.5 seconds
Print Resolution	Black: 1200 x 1200 dpi, 2400 Image Quality, 600 x 600 dpi		
Memory / Processor	Standard: 256 MB / Maximum: 1280 MB / 800 MHz		
Hard Disk	Included in configuration		
Recommended Monthly Page Volume <sup>1</sup>	10000 - 39000 pages	15000 - 50000 pages	
Maximum Monthly Duty Cycle: Up to <sup>2</sup>	150000 pages per month	200000 pages per month	300000 pages per month
<b>Copy</b>			
Copy Speed: Up to	Black: 35 cpm	Black: 45 cpm	Black: 55 cpm
Time to First Copy: as fast as	Black: 7 seconds		
<b>Scan</b>			
Scanner Type / ADF Scan	Flatbed scanner with ADF / RADF (reversing Duplex)		
A4/Ltr Duplex Scan Speed: Up to	Black: 50 sides per minute / Colour: 18 sides per minute		
A4/Ltr Simplex Scan Speed: Up to	Black: 55 sides per minute / Colour: 27 sides per minute		
<b>Fax</b>			
Modem Speed	33.6 Kbps		
<b>Supplies</b>			
Cartridge(s) Shipping with Product	35,000-page High Yield Toner Cartridge		
<b>Paper Handling</b>			
Paper Input Capacity: Up to	Standard: 1100 pages 75 gsm bond / Maximum: 5100 pages 75 gsm bond	Standard: 2100 pages 75 gsm bond / Maximum: 4100 pages 75 gsm bond	Standard: 3100 pages 75 gsm bond / Maximum: 5100 pages 75 gsm bond
Paper Output Capacity: Up to	Standard: 500 pages 75 gsm bond / Maximum: 3800 pages 75 gsm bond		
Media Types Supported	Card Stock, Envelopes, Paper Labels, Plain Paper, Transparencies, Refer to the Card Stock & Label Guide.		
Media Sizes Supported	10 Envelope, 7 3/4 Envelope, A3, A4, A5, C5 Envelope, DL Envelope, Executive, Folio, JIS-B4, JIS-B5, Ledger, Legal, Letter, Statement, Universal		
<b>General Information</b>			
Standard Connectivity	One Internal Card Slot, Gigabit Ethernet (10/100/1000), Hi-Speed USB port Compatible with USB 2.0 Specification (Type B), Front Hi-Speed USB port Compatible with USB 2.0 Specification (Type A), Rear Hi-Speed USB port Compatible with USB 2.0 Specification (Type A)		
Optional Network Ports / Optional Local Ports	Lexmark N4050e 802.11g Wireless Print Server (Print Only), Internal MarkNet™ N8130 Fiber Fast Ethernet, Internal MarkNet™ N8150 802.11b/g/n Wireless / Internal RS-232C serial, Internal 1284-B Bidirectional Parallel		
Noise Level: Operating	Print: 53 dBA / Copy: 53 dBA / Scan: 53 dBA	Print: 52 dBA / Copy: 53 dBA / Scan: 55 dBA	Print: 53 dBA / Copy: 54 dBA / Scan: 55 dBA
Specified Operating Environment	Temperature: 16 to 32°C (60 to 90°F), Humidity: 8 to 80% Relative Humidity, Altitude: 0 - 3048 Meters (10,000 Feet)		
Product Guarantee	1-Year Onsite Service, Next Business Day		
Size (mm - H x W x D) / Weight	803 x 641 x 705 mm / 76.7 kg	1095 x 641 x 705 mm / 98.9 kg	1095 x 641 x 705 mm / 106.1 kg

<sup>1</sup>"Recommended Monthly Page Volume" is a range of pages that helps customers evaluate Lexmark's product offerings based on the average number of pages customers plan to print on the device each month. Lexmark recommends that the number of pages per month be within the stated range for optimum device performance, based on factors including: supplies replacement intervals, paper loading intervals, speed, and typical customer usage. <sup>2</sup>"Maximum Monthly Duty Cycle" is defined as the maximum number of pages a device could deliver in a month using a multishift operation. This metric provides a comparison of robustness in relation to other Lexmark printers and MFPs. <sup>3</sup>Actual Yield may vary based on other factors such as device speed, paper size and feed orientation, toner coverage, tray source, percentage of black-only printing and average print job complexity.



[www.lexmark.com](http://www.lexmark.com)

© 2015 Lexmark and the Lexmark logo are trademarks of Lexmark International, Inc., registered in the United States and/or other countries. All other trademarks are the property of their respective owners. ENERGY STAR® is a U.S. registered mark.

AirPrint and the AirPrint logo are trademarks of Apple Inc.