



Lexmark MS811 and MS812 Series



MS812de

Star performer. Stellar finish.

The Lexmark MS811 and MS812 Series produce documents that steal the show. With faster print speeds and multiple finishing options, these systems are built to satisfy the most demanding corporate offices. Want 2-sided printing capability? Get the MS811dn or MS812dn. Need productivity solutions? Get the MS812de.

Powerful productivity that sets the pace.

Stay a step ahead by getting more work done faster. These super-efficient systems can meet your most demanding expectations.

Faster processing: Improve your print speeds by taking advantage of up to 2.56 GB of memory, an 800 MHz dual-core processor and Gigabit Ethernet.



Up to 66 ppm



Multiple media



Finishing function



Solution



Reliable high performance: Print up to 75,000 pages per month with the MS811 Series or 100,000 pages per month with the MS812 Series. Plus, enjoy fewer maintenance hassles with our state-of-the-art paper handling.

Keep jobs moving: With a maximum input capacity of up to 4,400 sheets and an extra high yield toner cartridge, you won't have to add paper or change cartridges as often.

Spend less time waiting: Print from 60 to 66 pages per minute, and produce your first page in as little as 4 seconds.

Look professional. Work smarter.

The MS811 and MS812 Series produce documents that are presentation ready, automatically finishing the pages based on your preferences. Our easy-to-use control panel makes it simple.

Easy-to-use displays: The bright 6cm (2.4-inch) colour display lets you stay on top of your work. Need more control and productivity solutions? Get the MS812de with the 17.8 cm (7-inch) colour touch screen



Finishing that adds polish: Produce projects like a pro with automated collating, stapling and other finishing features.

Print on a wide range of media: With built-in 2-sided printing⁸ and the ability to print on diverse materials, you can do more for your business and use less paper.

Innovative toner optimises performance: Get greater system performance with Lexmark's Unison™ Toner, which delivers consistent quality from first print to last

Intelligent workflow. Secure design.

Our advanced system simplifies your work processes and increases productivity. Innovative security capabilities provide maximum protection for your critical business data.

Print anytime and anywhere⁷: With this system, you can print from desktops as well as mobile devices that can run applications.

Enjoy enterprise-level security: Now you can authenticate, authorise and audit employee usage. Plus, you can protect sensitive data using standard network security protocols, data encryption and disk wiping capabilities.

Identify potential risks: Track more than 100 variables and events, including user activity, with Audit Logging. It's designed to work with your intrusion detection system in real time.

Optional productivity solutions: Want to empower your business with workflow solutions that can print on demand, automate tasks and more? Get the solutions-capable MS812de.

⁷For more information on Lexmark Mobile Solutions see: lexmark.com/mobile

⁸Duplex (two-sided printing) models are ENERGY STAR compliant, MS811dn/dtn, MS812dn/dtn and MS812de only.

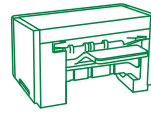
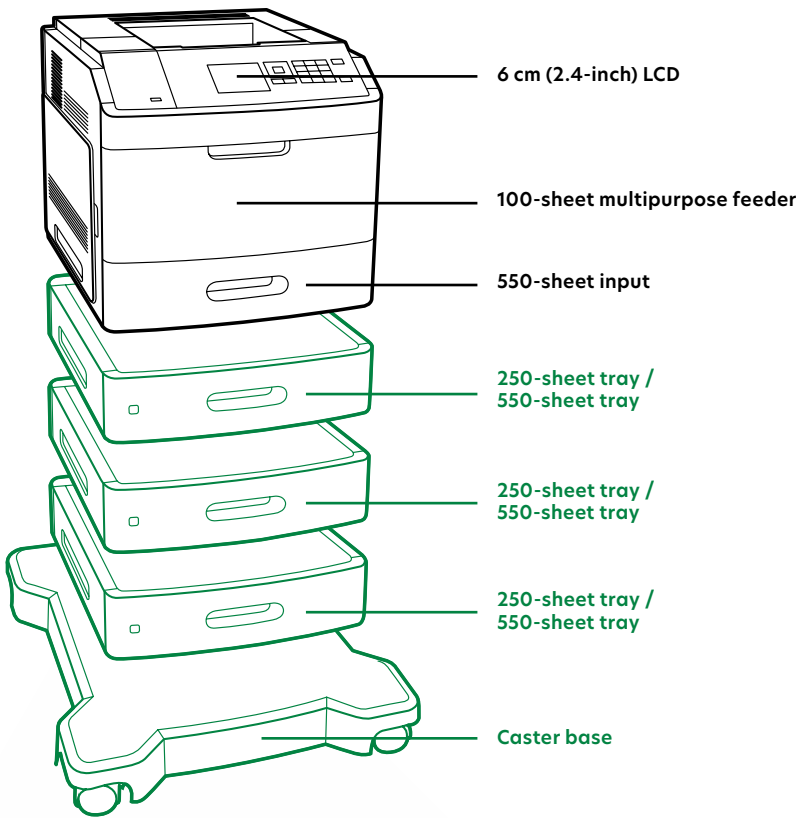
MS811 and MS812 Series printer features

Product specifications	Lexmark MS811dn	Lexmark MS812dn	Lexmark MS812de
Print			
Display	6 cm (2.4 inch) colour LCD display		Lexmark e-Task 17.8 cm (7-inch) colour touch screen
Print Speed: Up to ³	Black: 60 ppm	Black: 66 ppm	
Time to First Page: As fast as	Black: 4.4 seconds	Black: 4.0 seconds	
Print Resolution	Black: 1200 Image Quality, 1200 x 1200 dpi, 2400 Image Quality, 600 x 600 dpi		
Memory / Processor	Standard: 512 MB / Maximum: 2560 MB / Dual Core, 800 MHz		
Hard Disk	Option available		
Recommended Monthly Page Volume ⁷	5000 - 75000 pages	5000 - 100000 pages	
Maximum Monthly Duty Cycle: Up to ⁵	300000 pages per month	350000 pages per month	
Supplies²			
Laser Cartridge Yields (up to) ¹	6,000-page Cartridge, 25,000-page High Yield Cartridge, 45,000-page Extra High Yield Cartridge		
Imaging Unit Estimated Yield: Up to ⁴	100000 pages, based on 3 average letter/A4-size pages per print job and ~ 5% coverage		
Cartridge(s) Shipping with Product ¹	10,000-page Starter Return Program Toner Cartridge		
Paper Handling			
Included Paper Handling	550-Sheet Input, 100-Sheet Multipurpose Feeder, 550-Sheet Output Bin, Integrated Duplex		
Optional Paper Handling	250-Sheet Tray, 550-Sheet Tray, 2100-Sheet Tray, 250-Sheet Lockable Tray, 550-Sheet Lockable Tray, 4-Bin Mailbox, Staple Finisher, Staple Punch Finisher, High Capacity Output Expander, Output Expander		
Paper Input Capacity: Up to	Standard: 650 pages 75 gsm bond / Maximum: 4400 pages 75 gsm bond		
Paper Output Capacity: Up to	Standard: 550 pages 75 gsm bond / Maximum: 2550 pages 75 gsm bond		
Media Types Supported	Card Stock, Dual Web Labels, Envelopes, Integrated Labels, Paper Labels, Plain Paper, Transparencies, Refer to the Card Stock & Label Guide.		
Media Sizes Supported	10 Envelope, 7 3/4 Envelope, 9 Envelope, A4, A5, B5 Envelope, C5 Envelope, DL Envelope, Executive, Folio, JIS-B5, Legal, Letter, Statement, Universal, Oficio, A6		
General Information⁶			
Standard Connectivity	One Internal Card Slot, USB 2.0 Specification Hi-Speed Certified (Type B), Gigabit Ethernet (10/100/1000), Front USB 2.0 Specification Hi-Speed Certified port (Type A)	One Internal Card Slot, USB 2.0 Specification Hi-Speed Certified (Type B), Gigabit Ethernet (10/100/1000), Front USB 2.0 Specification Hi-Speed Certified port (Type A), Rear USB 2.0 Specification Hi-Speed Certified port (Type A)	
Optional Network Ports / Optional Local Ports	Internal MarkNet N8350 802.11b/g/n Wireless / Internal RS-232C serial, Internal 1284-B Bidirectional Parallel		
Noise Level: Operating	Print: 57 dBA	Print: 58 dBA	
Specified Operating Environment	Temperature: 16 to 32°C (60 to 90°F), Humidity: 8 to 80% Relative Humidity, Altitude: 0 - 2896 Meters (9,500 Feet)		
Product Guarantee	1-Year Onsite Service		
Size (mm - H x W x D) / Weight	419 x 425 x 510 mm / 23.66 kg		419 x 425 x 510 mm / 23.99 kg

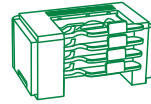
¹Average standard page yield value declared in accordance with ISO/IEC 19752. ²Product functions only with replacement cartridges designed for use in a specific geographical region. See www.lexmark.com/regions for more details. ³Print and copy speeds measured in accordance with ISO/IEC 24734 and ISO/IEC 24735 respectively (ESAT). For more information see: www.lexmark.com/ISOspeeds. ⁴Actual Yield may vary based on other factors such as device speed, paper size and feed orientation, toner coverage, tray source, percentage of black-only printing and average print job complexity. ⁵"Maximum Monthly Duty Cycle" is defined as the maximum number of pages a device could deliver in a month using a multishift operation. This metric provides a comparison of robustness in relation to other Lexmark printers and MFPs. ⁶Printers are sold subject to certain license/agreement conditions. See www.lexmark.com/printerlicense for details. ⁷"Recommended Monthly Page Volume" is a range of pages that helps customers evaluate Lexmark's product offerings based on the average number of pages customers plan to print on the device each month. Lexmark recommends that the number of pages per month be within the stated range for optimum device performance, based on factors including: supplies replacement intervals, paper loading intervals, speed, and typical customer usage.

The MS812de is a Class A device according to the FCC Rules and EN 55022/EN 55032 emissions standards. This device is not intended for use in residential or domestic environments due to potential interference to radio communications.

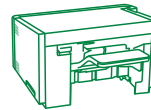
MS811 and MS812 Series printer features



Staple finisher



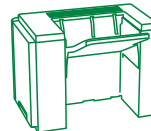
4-bin mailbox



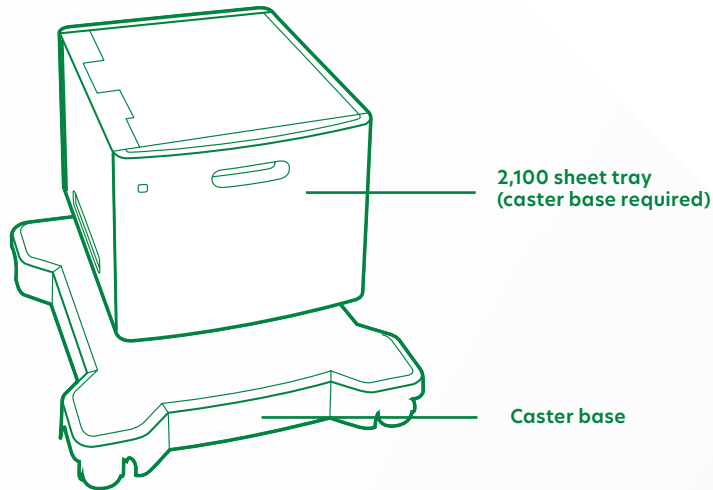
Staple, hole punch finisher



500-sheet output expander



1,500-sheet high capacity output expander



Standard
 Optional

*For supported maximum configurations, refer to the Printer, Option and Stand Compatibility Guide at http://www.lexmark.com/publications/furniture_safety/

© 2016 Lexmark and the Lexmark logo are trademarks of Lexmark International, Inc., registered in the United States and/or other countries. All other trademarks are the property of their respective owners. ENERGY STAR® is a U.S. registered mark.

AirPrint and the AirPrint logo are trademarks of Apple Inc.