

User's Guide

Copyright

Copyright

No part of this publication may be reproduced, stored in a retrieval system, or transmitted in any form or by any means, electronic, mechanical, photocopying, recording, or otherwise, without the prior written permission of Seiko Epson Corporation. No patent liability is assumed with respect to the use of the information contained herein. Neither is any liability assumed for damages resulting from the use of the information herein. The information contained herein is designed only for use with this Epson printer. Epson is not responsible for any use of this information as applied to other printers.

Neither Seiko Epson Corporation nor its affiliates shall be liable to the purchaser of this product or third parties for damages, losses, costs, or expenses incurred by the purchaser or third parties as a result of accident, misuse, or abuse of this product or unauthorized modifications, repairs, or alterations to this product, or (excluding the U.S.) failure to strictly comply with Seiko Epson Corporation's operating and maintenance instructions.

Seiko Epson Corporation and its affiliates shall not be liable for any damages or problems arising from the use of any options or any consumable products other than those designated as Original Epson Products or Epson Approved Products by Seiko Epson Corporation.

Seiko Epson Corporation shall not be held liable for any damage resulting from electromagnetic interference that occurs from the use of any interface cables other than those designated as Epson Approved Products by Seiko Epson Corporation.

© 2013 Seiko Epson Corporation. All rights reserved.

The contents of this manual and the specifications of this product are subject to change without notice.

Trademarks

Trademarks

- ❑ EPSON® is a registered trademark, and EPSON EXCEED YOUR VISION or EXCEED YOUR VISION is a trademark of Seiko Epson Corporation.
- ❑ PRINT Image Matching™ and the PRINT Image Matching logo are trademarks of Seiko Epson Corporation. Copyright © 2001 Seiko Epson Corporation. All rights reserved.
- ❑ Intel® is a registered trademark of Intel Corporation.
- ❑ Microsoft®, Windows®, and Windows Vista® are registered trademarks of Microsoft Corporation.
- ❑ Apple, Macintosh, Mac OS, OS X, and Bonjour are trademarks of Apple Inc., registered in the U.S. and other countries. AirPrint is a trademark of Apple Inc.
- ❑ Google Cloud Print™ is a registered trademark of Google Inc.
- ❑ Adobe, Adobe Reader, Acrobat, and Photoshop are trademarks of Adobe systems Incorporated, which may be registered in certain jurisdictions.
- ❑ General Notice: Other product names used herein are for identification purposes only and may be trademarks of their respective owners. Epson disclaims any and all rights in those marks.

Contents

Copyright

Trademarks

About This Manual

Introduction to the Manuals.	7
Marks and Symbols.	7
Descriptions Used in this Manual.	8
Operating System References.	8

Important Instructions

Safety Instructions.	9
Printer Advisories and Warnings.	10
Advisories and Warnings for Setting Up/ Using the Printer.	10
Advisories and Warnings for Using the Printer with a Wireless Connection.	11
Advisories and Warnings for Using the LCD Screen.	11
Advisories and Warnings for Using the Optional Cabinet.	11
Protecting Your Personal Information.	12

Administrator Settings

Locking the Printer Settings Using an Administrator's Password.	13
Unlocking the Printer Settings.	13

Printer Basics

Part Names and Functions.	14
Control Panel.	18
Buttons and Lights.	18
Icons Displayed on the LCD Screen.	18
Menu Options.	19
Menu.	19

Loading Paper

Paper Handling Precautions.	24
Available Paper and Capacities.	24
List of Paper Types.	27
Loading Paper in the Paper Cassette.	28
Loading Paper in the Rear Paper Feed.	30

Loading Paper in the Front Paper Feed Slot.	32
Loading Envelopes and Precautions.	33
Setting the Paper Size and Paper Type for Each Paper Source.	33

Printing

Printing from a Computer.	35
Printing Basics - Windows.	35
Printing Basics - Mac OS X.	36
Printing on 2-Sides.	38
Printing Several Pages on One Sheet.	40
Printing to Fit the Paper Size.	41
Printing Multiple Files Together (for Windows Only).	43
Enlarged Printing and Making Posters (for Windows Only).	44
Printing on Envelopes.	50
Printing Using Advanced Features.	51
Smart Devices Printing.	53
Canceling Printing.	54
Canceling Printing - Printer Button.	54
Canceling Printing - Windows.	54
Canceling Printing - Mac OS X.	54

Replacing Ink Cartridges and Other Consumables

Checking the Status of the Ink Cartridges and the Maintenance Box.	55
Checking the Status of the Ink Cartridges and the Maintenance Box - Control Panel.	55
Checking the Status of the Ink Cartridges and the Maintenance Box - Windows.	55
Checking the Status of the Ink Cartridges and the Maintenance Box - Mac OS X.	55
Ink Cartridge Codes.	56
Ink Cartridge Handling Precautions.	56
Replacing Ink Cartridges.	57
Maintenance Box Code.	59
Maintenance Box Handling Precautions.	59
Replacing a Maintenance Box.	60
Maintenance Rollers Codes.	61
Replacing Maintenance Rollers in Paper Cassette 1.	61
Replacing Maintenance Rollers in Paper Cassette 2 to 4.	65

Contents

Temporarily Printing with Black Ink.	68	Removing Jammed Paper from the Front Paper Feed Slot (B2).	87
Temporarily Printing with Black Ink - Windows.	69	Removing Jammed Paper from the Paper Cassette (C1/C2/C3/C4).	88
Temporarily Printing with Black Ink - Mac OS X.	70	Removing Jammed Paper from Rear Cover 1 (D1) and Rear Cover 2 (D2).	89
Conserving Black Ink when the Black Ink Is Low (for Windows Only).	71	Removing Jammed Paper from the Rear Cover (E) of the Optional Paper Cassette Unit.	90
Improving Print Quality		Paper Does Not Feed Correctly.	91
Checking and Cleaning the Print Head.	72	Power and Control Panel Problems.	92
Checking and Cleaning the Print Head - Control Panel.	72	Power Does Not Turn On.	92
Checking and Cleaning the Print Head - Windows.	73	Power Does Not Turn Off.	92
Checking and Cleaning the Print Head - Mac OS X.	73	LCD Screen Gets Dark.	92
Aligning the Print Head.	73	Printer Does Not Print.	92
Aligning the Print Head - Control Panel.	74	Printout Problems.	93
Aligning the Print Head - Windows.	74	Print Quality Is Poor.	93
Aligning the Print Head - Mac OS X.	75	The Position, Size, or Margins of the Printout Are Incorrect.	94
Cleaning the Paper Path.	75	Paper Is Smeared or Scuffed.	95
Applications and Network Service Information		Printed Characters Are Incorrect or Garbled.	95
Epson Connect Service.	76	The Printed Image Is Inverted.	96
Web Config.	76	The Printout Problem Could Not be Cleared.	96
Necessary Applications.	76	Printing Is Too Slow.	96
Windows Printer Driver.	76	Other Problems.	96
Mac OS X Printer Driver.	78	Slight Electric Shock when Touching the Printer.	96
E-Web Print (for Windows Only).	80	Operation Sounds Are Loud.	97
EPSON Software Updater.	80	Forgot Your Password.	97
EpsonNet Config.	80	Application Is Blocked by a Firewall (for Windows Only).	97
Uninstalling Applications.	81	Appendix	
Uninstalling Applications - Windows.	81	Technical Specifications.	98
Uninstalling Applications - Mac OS X.	81	Printer Specifications.	98
Installing Applications.	82	Interface Specifications.	98
Updating Applications and Firmware.	83	Wi-Fi Specifications.	99
Solving Problems		Ethernet Specifications.	99
Checking the Printer Status.	84	Security Protocol.	99
Checking Messages on the LCD Screen.	84	Dimensions.	100
Checking the Printer Status - Windows.	85	Electrical Specifications.	100
Checking Printer Status - Mac OS X.	85	Environmental Specifications.	101
Removing Jammed Paper.	85	System Requirements.	101
Removing Jammed Paper from the Front Cover (A).	86	Regulatory Information.	102
Removing Jammed Paper from the Rear Paper Feed (B1).	86	Standards and Approvals.	102
		Restrictions on Copying.	102
		Printer Transfer and Transportation.	103
		Printer Transfer Within a Short Distance.	103
		Transporting the Printer.	104
		Installing the Optional Units.	104

Contents

Optional Cabinet Code.	104
Installing the Optional Cabinet.	104
Optional Paper Cassette Unit Code.	109
Installing the Optional Paper Cassette Units. . .	110
Printer Sharing.	114
Where to Get Help.	115
Technical Support Web Site.	115
Contacting Epson Support.	115

About This Manual

Introduction to the Manuals

The latest versions of the following manuals are available from the Epson support website.

<http://www.epson.eu/Support> (Europe)

<http://support.epson.net/> (outside Europe)

Important Safety Instructions (paper manual)

Provides you with instructions to ensure the safe use of this printer. This manual may not be included depending on model and region.

Start Here (paper manual)

Provides you with an introduction to the printer and services.

User's Guide (PDF manual)

This manual. Provides instructions on using the printer, replacing ink cartridges, maintenance, and solving problems.

Network Guide (PDF manual)

Provides information on network settings and solving problems when using the printer on a network.

Administrator's Guide (PDF manual)

Provides network administrators with information on management and printer settings.

Epson Connect Guide (PDF manual)

Provides information on Epson Connect services. This guide is available from the Epson Connect portal website.

<https://www.epsonconnect.com/>

<http://www.epsonconnect.eu> (Europe only)

As well as the manuals above, check the various types of help information available from the printer itself or from the applications.

Marks and Symbols



Caution:

Instructions that must be followed carefully to avoid bodily injury.



Important:

Instructions that must be observed to avoid damage to your equipment.

Note:

Instructions containing useful tips and restrictions on printer operation.

➔ Related Information

About This Manual

Links to related sections.

Descriptions Used in this Manual

- ❑ Screenshots of the printer driver screens are from Windows 8 or Mac OS X v10.8.x. The content displayed on the screens varies depending on the model and situation.
- ❑ Illustrations of the printer used in this manual are examples only. Although there may be slight differences depending on the model, the method of operation is the same.
- ❑ Some of the menu items on the LCD screen vary depending on the model and settings.

Operating System References

Windows

In this manual, terms such as "Windows 8.1", "Windows 8", "Windows 7", "Windows Vista", "Windows XP", "Windows Server 2012", "Windows Server 2008 R2", "Windows Server 2008", "Windows Server 2003 R2", and "Windows Server 2003" refer to the following operating systems. Additionally, "Windows" is used to refer to all versions.

- ❑ Microsoft® Windows® 8.1 operating system
- ❑ Microsoft® Windows® 8 operating system
- ❑ Microsoft® Windows® 7 operating system
- ❑ Microsoft® Windows Vista® operating system
- ❑ Microsoft® Windows® XP operating system
- ❑ Microsoft® Windows® XP Professional x64 Edition operating system
- ❑ Microsoft® Windows Server® 2012 operating system
- ❑ Microsoft® Windows Server® 2008 R2 operating system
- ❑ Microsoft® Windows Server® 2008 operating system
- ❑ Microsoft® Windows Server® 2003 R2 operating system
- ❑ Microsoft® Windows Server® 2003 operating system

Mac OS X

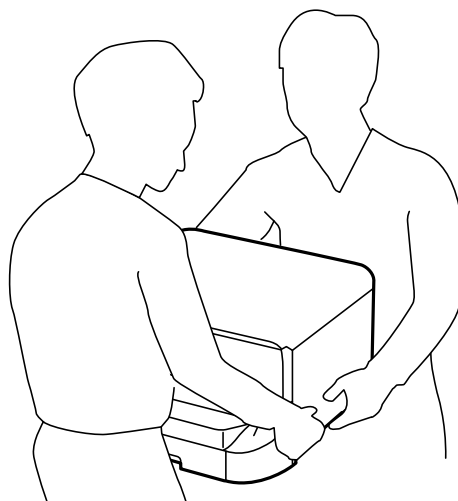
In this manual, "Mac OS X v10.9.x" refers to "OS X Mavericks" and "Mac OS X v10.8.x" refers to "OS X Mountain Lion". Additionally, "Mac OS X" is used to refer to "Mac OS X v10.9.x", "Mac OS X v10.8.x", "Mac OS X v10.7.x", "Mac OS X v10.6.x", and "Mac OS X v10.5.8".

Important Instructions

Safety Instructions

Read and follow these instructions to ensure safe use of this printer. Make sure you keep this manual for future reference. Also, be sure to follow all warnings and instructions marked on the printer.

- ❑ Use only the power cord supplied with the printer and do not use the cord with any other equipment. Use of other cords with this printer or the use of the supplied power cord with other equipment may result in fire or electric shock.
- ❑ Be sure your AC power cord meets the relevant local safety standard.
- ❑ Never disassemble, modify, or attempt to repair the power cord, plug, printer unit, or options by yourself, except as specifically explained in the printer's manuals.
- ❑ Unplug the printer and refer servicing to qualified service personnel under the following conditions:
The power cord or plug is damaged; liquid has entered the printer; the printer has been dropped or the casing damaged; the printer does not operate normally or exhibits a distinct change in performance. Do not adjust controls that are not covered by the operating instructions.
- ❑ Place the printer near a wall outlet where the plug can be easily unplugged.
- ❑ Do not place or store the printer outdoors, near excessive dirt or dust, water, heat sources, or in locations subject to shocks, vibrations, high temperature or humidity.
- ❑ Take care not to spill liquid on the printer and not to handle the printer with wet hands.
- ❑ Keep the printer at least 22 cm away from cardiac pacemakers. Radio waves from this printer may adversely affect the operation of cardiac pacemakers.
- ❑ If the LCD screen is damaged, contact your dealer. If the liquid crystal solution gets on your hands, wash them thoroughly with soap and water. If the liquid crystal solution gets into your eyes, flush them immediately with water. If discomfort or vision problems remain after a thorough flushing, see a doctor immediately.
- ❑ The printer is heavy and should not be lifted or carried by less than two people. When lifting the printer, two people should assume the correct positions as shown below.



Important Instructions

- Be careful when you handle used ink cartridges, as there may be some ink around the ink supply port.
 - If ink gets on your skin, wash the area thoroughly with soap and water.
 - If ink gets into your eyes, flush them immediately with water. If discomfort or vision problems continue after a thorough flushing, see a doctor immediately.
 - If ink gets into your mouth, see a doctor right away.
- Do not disassemble the ink cartridge and the maintenance box; otherwise ink may get into your eyes or on your skin.
- Do not shake ink cartridges too vigorously; otherwise ink may leak from the cartridge.
- Keep ink cartridges and maintenance box out of the reach of children.



Printer Advisories and Warnings

Read and follow these instructions to avoid damaging the printer or your property. Make sure you keep this manual for future reference.

Advisories and Warnings for Setting Up/Using the Printer

- Do not block or cover the vents and openings in the printer.
- Use only the type of power source indicated on the printer's label.
- Avoid using outlets on the same circuit as photocopiers or air control systems that regularly switch on and off.
- Avoid electrical outlets controlled by wall switches or automatic timers.
- Keep the entire computer system away from potential sources of electromagnetic interference, such as loudspeakers or the base units of cordless telephones.
- The power-supply cords should be placed to avoid abrasions, cuts, fraying, crimping, and kinking. Do not place objects on top of the power-supply cords and do not allow the power-supply cords to be stepped on or run over. Be particularly careful to keep all the power-supply cords straight at the ends and the points where they enter and leave the transformer.
- If you use an extension cord with the printer, make sure that the total ampere rating of the devices plugged into the extension cord does not exceed the cord's ampere rating. Also, make sure that the total ampere rating of all devices plugged into the wall outlet does not exceed the wall outlet's ampere rating.
- If you plan to use the printer in Germany, the building installation must be protected by a 10 or 16 amp circuit breaker to provide adequate short-circuit protection and over-current protection for the printer.
- When connecting the printer to a computer or other device with a cable, ensure the correct orientation of the connectors. Each connector has only one correct orientation. Inserting a connector in the wrong orientation may damage both devices connected by the cable.
- Place the printer on a flat, stable surface that extends beyond the base of the printer in all directions. The printer will not operate properly if it is tilted at an angle.
- When storing or transporting the printer, avoid tilting it, placing it vertically, or turning it upside down; otherwise ink may leak.
- Allow space behind the printer for the cables.
- Leave enough space in front of the printer for the paper to be fully ejected.
- Avoid places subject to rapid changes in temperature and humidity. Also, keep the printer away from direct sunlight, strong light, or heat sources.

Important Instructions

- Do not insert objects through the slots in the printer.
- Do not put your hand inside the printer during printing.
- Do not touch the white flat cable inside the printer.
- Do not use aerosol products that contain flammable gases inside or around the printer. Doing so may cause fire.
- Do not move the print head by hand; otherwise, you may damage the printer.
- Always turn the printer off using the  button. Do not unplug the printer or turn off the power at the outlet until the  light stops flashing.
- Before transporting the printer, make sure that the print head is in the home (far right) position and the ink cartridges are in place.
- If you are not going to use the printer for a long period, be sure to unplug the power cord from the electrical outlet.

Advisories and Warnings for Using the Printer with a Wireless Connection

- Do not use this printer inside medical facilities or near medical equipment. Radio waves from this printer may adversely affect the operation of electrical medical equipment.
- Do not use this printer near automatically controlled devices such as automatic doors or fire alarms. Radio waves from this printer may adversely affect these devices, and could lead to accidents due to malfunction.

Advisories and Warnings for Using the LCD Screen

- The LCD screen may contain a few small bright or dark spots, and because of its features it may have an uneven brightness. These are normal and do not indicate that it is damaged in any way.
- Only use a dry, soft cloth for cleaning. Do not use liquid or chemical cleaners.
- The exterior cover of the LCD screen could break if it receives a heavy impact. Contact your dealer if the panel surface chips or cracks, and do not touch or attempt to remove the broken pieces.

Advisories and Warnings for Using the Optional Cabinet

- This cabinet is exclusively designed to install this printer on top as well as the optional paper cassette units. Do not install any other products except for the specified printer and paper cassette unit.
- Do not climb on the cabinet or place heavy object on it.
- Make sure you use the cabinet with the two stands attached.
- Secure the printer or the optional paper cassette unit to the cabinet using the two attachments and screws supplied with the cabinet.
- When using the printer, make sure you lock the casters at the front of the cabinet.
- Do not move the cabinet when the casters are locked.
- When moving the cabinet with the printer or the optional paper cassette unit installed, avoid moving over uneven or rough surfaces.

Important Instructions

Protecting Your Personal Information

This printer allows you to store names, telephone numbers, and email addresses in its memory even when the power is turned off.

If you give the printer to someone else or dispose of it, erase the memory by selecting **Menu > System Administration > Restore Default Settings > Clear All Data and Settings** on the control panel.

Administrator Settings

Locking the Printer Settings Using an Administrator's Password

You can set an administrator's password to lock the printer settings so that they cannot be changed by other users. You can lock the following settings.

- System Administration
- Eco Mode

You cannot change settings without entering the password. This password is also required when you make settings using Web Config or EpsonNet Config.



Important:

Do not forget the password. If you forget the password, contact your dealer.

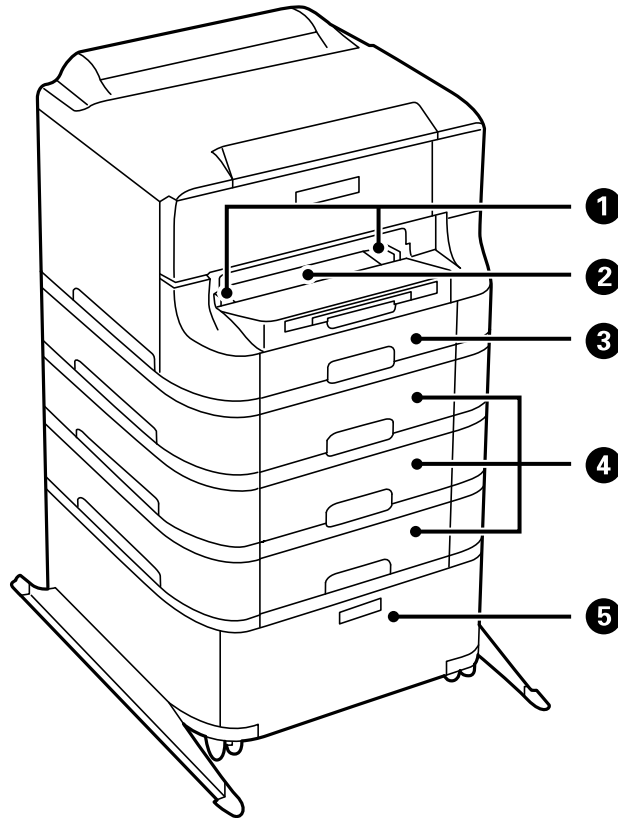
1. Enter **Menu** from the home screen.
2. Select **Admin Settings > Admin Password**.
3. Select **Register**, and then enter a password.
4. Enter the password again.
5. Select **Lock Setting**, and then enable it.

Unlocking the Printer Settings

1. Enter **Menu** from the home screen.
2. Select **Admin Settings**.
3. Enter the administrator's password.
4. Select **Lock Setting**, and then disable it.

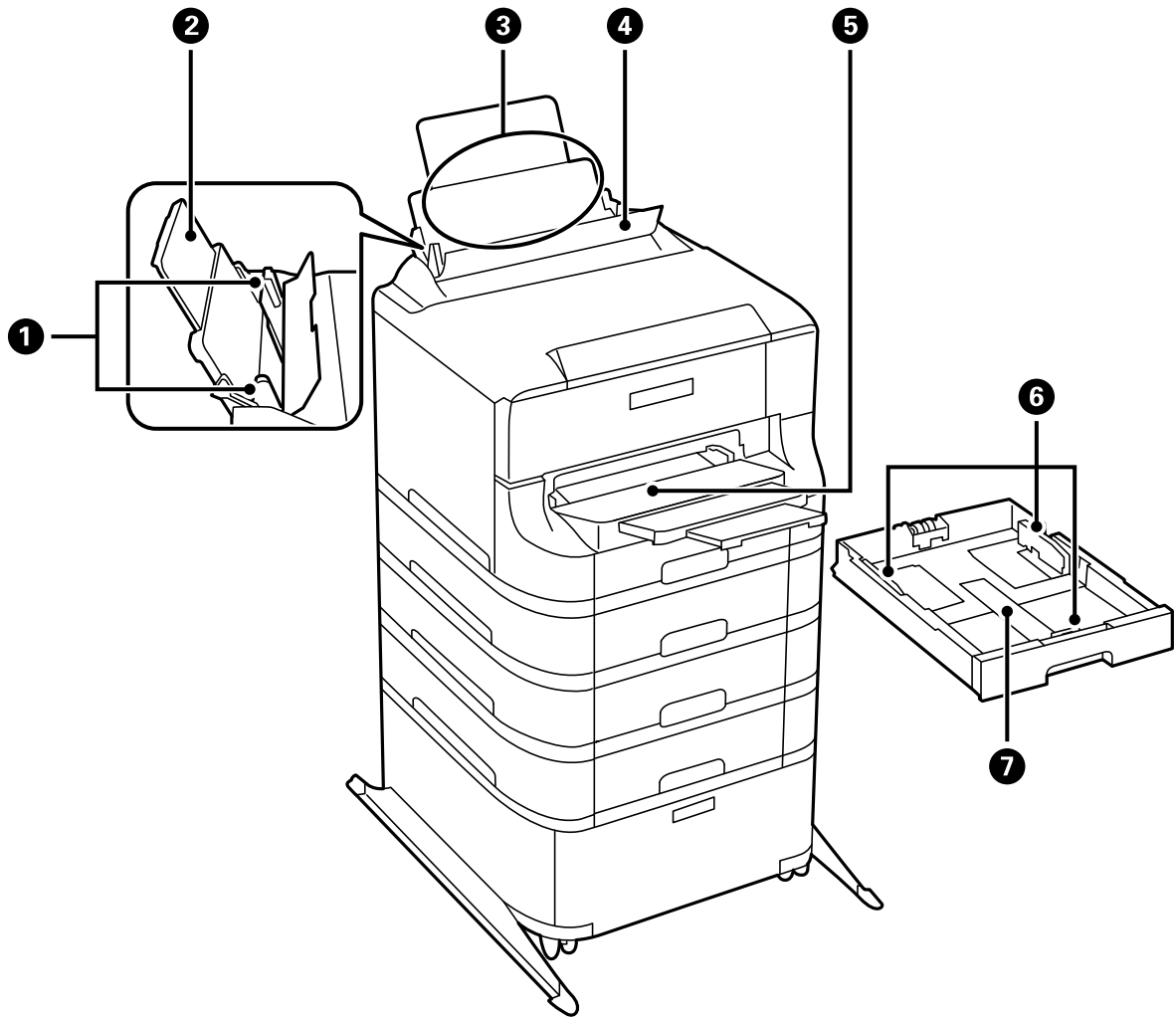
Printer Basics

Part Names and Functions



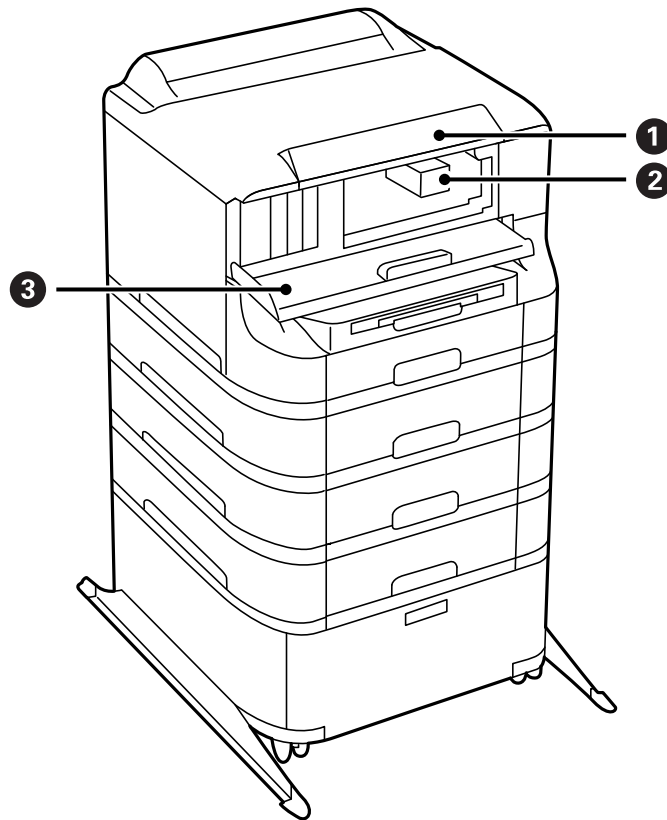
1	Edge guides	Feeds the paper straight into the printer. Slide to the edges of the paper.
2	Front paper feed slot (B2)	Load one sheet of paper at a time by hand.
3	Paper cassette 1 (C1)	Loads paper.
4	Paper cassette 2 to 4 (C2 to C4)	Optional paper cassette units. Loads paper.
5	Cabinet	Optional cabinet. Stores paper or other consumables.

Printer Basics



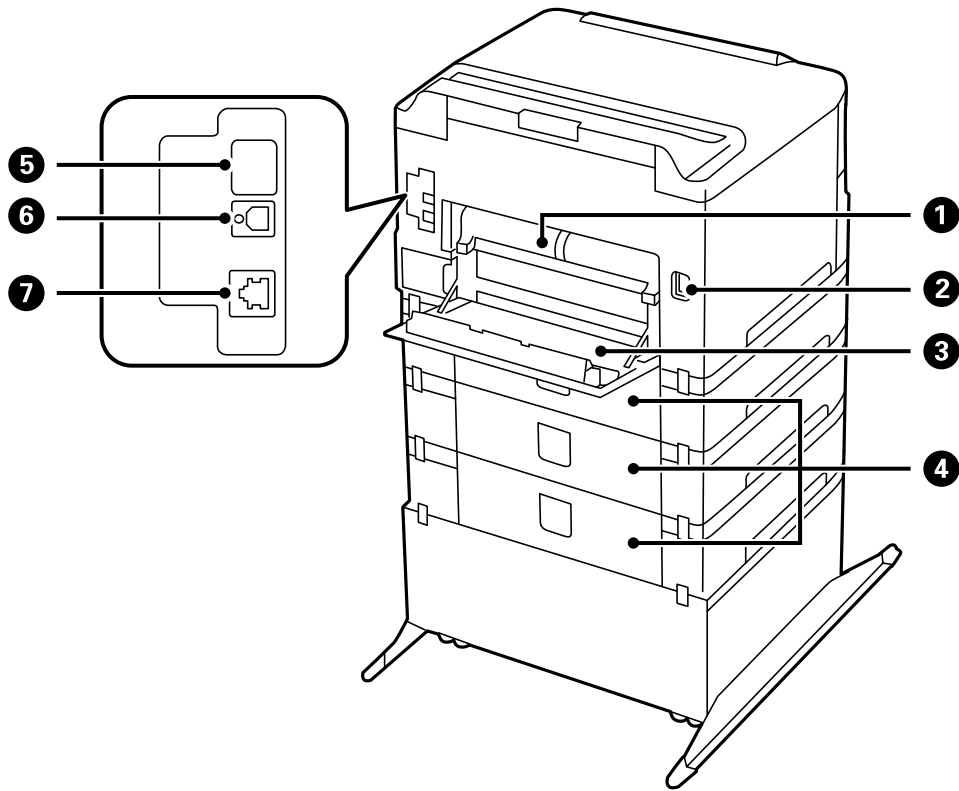
1	Edge guides	Feeds the paper straight into the printer. Slide to the edges of the paper.
2	Paper support	Supports loaded paper.
3	Rear paper feed (B1)	Loads paper.
4	Feeder guard	Prevents foreign substance from entering the printer. Usually keep this guard closed.
5	Output tray	Holds the ejected paper.
6	Edge guides	Feeds the paper straight into the printer. Slide to the edges of the paper.
7	Paper cassette	Loads paper.

Printer Basics



1	Control panel	Operates the printer.
2	Print head	Fires ink.
3	Front cover (A)	Open when replacing ink cartridges or removing jammed paper inside the printer.

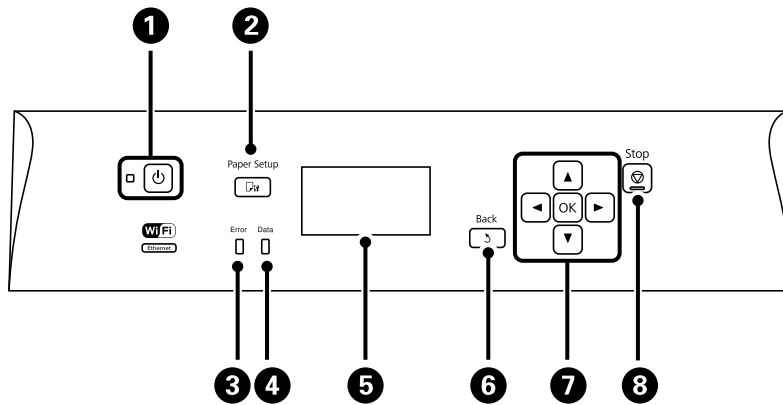
Printer Basics



1	Rear cover 2 (D2)	Pull out when removing jammed paper.
2	AC inlet	Connects the power cord.
3	Rear cover 1 (D1)	Open when replacing the maintenance box or maintenance rollers, or removing jammed paper.
4	Rear cover (E)	Covers for the optional paper cassette units. Open when replacing the maintenance rollers or removing jammed paper.
5	Service USB port	USB port for future use. Do not remove the sticker.
6	USB port	Connects a USB cable.
7	LAN port	Connects a LAN cable.

Control Panel

Buttons and Lights







1		Turns the printer on or off. Unplug the power cord when the power light is off.
2		Displays the Paper Setup screen. You can select the paper size and paper type settings for each paper source.
3	Error	Flashes or turns on when an error occurs.
4	Data	Flashes while the printer is processing data. Turns on when there are queued jobs.
5	-	Displays menus and messages.
6		Returns to the previous screen.
7		Press , , , and to select menus. Press OK to confirm your selection or run the selected feature. When entering characters, press , , , and to select characters.
8		Stops the current operation. When entering characters, press this button to change the character type.

Icons Displayed on the LCD Screen

The following icons are displayed on the LCD screen depending on the printer's status.

	Turns on while the printer is connected to a wired (Ethernet) network.
	Turns on when the wired (Ethernet) network is disabled and an Ethernet cable is not connected.
	Turns on while the printer is connected to a wireless (Wi-Fi) network. The number of bars indicates the signal strength of the connection. The more bars there are, the stronger the connection.

Printer Basics

.	Indicates a problem with the printer's wireless (Wi-Fi) network connection, or that the printer is searching for a wireless (Wi-Fi) network connection.
	Indicates that the printer is connected to a wireless (Wi-Fi) network in Ad Hoc mode.
	Indicates that the printer is connected to a wireless (Wi-Fi) network in Wi-Fi Direct mode.
	Indicates that the printer is connected to a wireless (Wi-Fi) network in Simple AP mode.
	Turns on when Eco Mode is enabled.

Menu Options

Menu

Menu	Settings and Explanations	
Ink Levels	Displays the approximate levels of the ink cartridges and the maintenance box. When an exclamation mark is displayed, the ink cartridge is running low on ink or the maintenance box is nearly full.	
Maintenance	Print Head Nozzle Check	Prints a pattern to check if the print head nozzles are clogged.
	Print Head Cleaning	Cleans clogged nozzles in the print head.
	Print Head Alignment	Adjusts the print head to improve print quality. Run Vertical Alignment if your printouts look blurry or text and lines are misaligned. Run Horizontal Alignment if your printouts contain horizontal banding at regular intervals.
	Thick Paper	Reduces ink smearing when printing. Enable this feature only when you see ink smearing on your printouts because it may lower the printing speed. This feature is disabled when the power is turned off.
	Paper Guide Cleaning	Use this feature to feed plain paper for cleaning when there are ink stains on the internal rollers or a paper feed problem has occurred.
	Remove Paper	Use this feature if there are still some torn pieces of paper inside the printer even after removing jammed paper.
	Maintenance Roller Information	Displays the status of the maintenance rollers for the paper cassette in the Maintenance Roller Status . After replacing maintenance rollers, select Reset Maintenance Roller Counter to reset the counter for the paper cassette in which you replaced the maintenance rollers.
Paper Setup	Select the paper size and paper type you loaded in each paper source.	

Printer Basics

Menu	Settings and Explanations	
Print Status Sheet	Configuration Status Sheet	Prints an information sheet showing the current printer status and settings.
	Supply Status Sheet	Prints an information sheet showing the status of consumables.
	Usage History Sheet	Prints an information sheet showing the usage history of the printer.
Network Status	Wi-Fi/Network Status	Displays or prints the current network settings.
	Wi-Fi Direct Status	
	Epson Connect Status	Displays whether or not the printer is registered and connected to Epson Connect or Google Cloud Print service.
	Google Cloud Print Status	See the Epson Connect portal website for more details. https://www.epsonconnect.com/ http://www.epsonconnect.eu (Europe only)
Confidential Job	Displays a list of jobs for which a password has been set. To print a job, select the job and enter the password.	
Admin Settings	These menus allow an administrator to register an administrator password to protect the printer settings from being changed by other users.	
	Admin Password	Set, change, or reset the administrator password. If you forget the password, contact your dealer.
	Lock Setting	You need to enter an administrator password when you enter the System Administration settings and when you change the settings of Eco Mode .
System Administration	See the pages that describe these features for more details.	

Related Information

➔ [“System Administration” on page 20](#)

System Administration

Select **Menu** on the home screen, and then select **System Administration**.

Printer Basics

Menu	Settings and Explanations			
Printer Settings	Paper Source Settings	Rear Paper Feed Priority	Feeds paper from the rear paper feed on a priority basis.	
		A4/Letter Auto Switching	Feeds paper from the paper source set as A4 size when there is no paper source set as Letter, or feeds from the paper source set as Letter size when there is no paper source set as A4.	
		Auto Select Settings	Specify which paper source to feed from. When there are multiple paper sources available, paper is fed from the paper source with paper settings that match the print job.	
		Error Notice	Displays an error message when the paper size or type settings in Paper Setup and the print settings do not match.	
	Auto Error Solver	<p>Select an action to perform when a 2-sided printing error occurs.</p> <p>Enabled: If a 2-sided job is sent when there is no paper available that supports 2-sided printing, the printer displays an error message, and then automatically prints on only one side of the paper.</p> <p>Enabled: The printer displays an error message and cancels printing.</p>		
	PC Connection via USB	Enables printers that are connected to the computer over a USB connection. If this feature is disabled, the computer does not recognize printers with a USB connection.		
Common Settings	Sleep Timer	<p>Select the time period before the printer enters sleep mode (energy saving mode) when no operations are performed.</p> <p>The LCD screen turns black when the set time passes.</p>		
	Power Off Timer	You can adjust the time before power management is applied. Any increase will affect the product's energy efficiency. Please consider the environment before making any change.		
	LCD Contrast	Adjust the brightness of the LCD screen.		
	Date/Time Settings	Date/Time	Enter the current date and time.	
		Daylight Saving Time	Select the summer time setting that applies to your area.	
		Time Difference	Enter the time difference between your local time and UTC (Coordinated Universal Time).	
	Language	Select the display language.		
Scroll Speed	Select the scroll speed of the LCD screen.			

Printer Basics

Menu	Settings and Explanations		
Wi-Fi/Network Settings	Wi-Fi/Network Status	Displays or prints the network settings and connection status.	
	Wi-Fi Setup	Wi-Fi Setup Wizard	See the <i>Network Guide</i> for more details.
		Push Button Setup (WPS)	
		PIN Code Setup (WPS)	
		Wi-Fi Auto Connect	
	Disable Wi-Fi	You may be able to resolve network problems by disabling the Wi-Fi settings or making the Wi-Fi settings again. See the <i>Network Guide</i> for more details.	
	Wi-Fi Direct Setup	See the <i>Network Guide</i> for more details.	
Connection Check	Checks the status of the network connection and prints the network connection check report. If there are any problems with the connection, see the check report to solve the problem.		
Advanced Setup	See the <i>Network Guide</i> for more details.		
Epson Connect Services	You can suspend or resume the Epson Connect or Google Cloud Print service, or cancel using the services (restore the default settings).		
Google Cloud Print Services	See the Epson Connect portal website for more details. https://www.epsonconnect.com/ http://www.epsonconnect.eu (Europe only)		
Universal Print Settings	These print settings are applied when you print using an external device without using the printer driver.		
	Top Offset	Adjust the top or left margin of the paper.	
	Left Offset		
	Top Offset in Back	Adjust the top margin or left margin for the back of the page when performing 2-sided printing.	
	Left Offset in Back		
	Check Paper Width	Checks the paper width before the printer starts printing. This prevents printing beyond the edges of the paper when the paper size setting is not correct, but the printing time may be little longer.	
	Dry Time	Select the drying time when performing 2-sided printing.	
Skip Blank Page	Skips blank pages in the print data automatically.		
Security Settings	Delete All Confidential Jobs	Deletes all saved confidential jobs.	

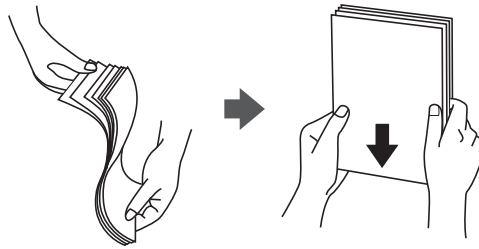
Printer Basics

Menu	Settings and Explanations	
Eco Mode	The following Eco mode settings are available. When these settings are disabled, the settings made in Common Settings are applied.	
	Sleep Timer	Select the time period before the printer enters sleep mode (energy saving mode) when no operations are performed. The LCD screen turns black when the set time passes.
	Power Off Timer	Select the time period before the printer turns off automatically.
Restore Default Settings	Resets the selected settings to their defaults.	

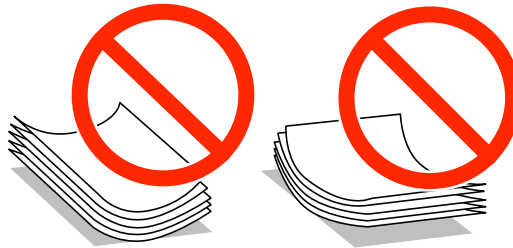
Loading Paper

Paper Handling Precautions

- ❑ Read the instruction sheets supplied with the paper.
- ❑ Fan and align the edges of the paper before loading. Do not fan or curl photo paper. Doing so may damage the printable side.



- ❑ If the paper is curled, flatten it or curl it slightly in the opposite direction before loading. Printing on curled paper may cause paper jams and smears on the printout.



- ❑ Do not use paper that is wavy, torn, cut, folded, damp, too thick, too thin, or paper that has stickers stuck to it. Using these types of paper causes paper jams and smears on the printout.
- ❑ Make sure you are using long-grain paper. If you are not sure what type of paper you are using, check the paper packaging or contact the manufacturer to confirm the paper specifications.

Related Information

➔ [“Printer Specifications” on page 98](#)

Available Paper and Capacities

Epson recommends using genuine Epson paper to ensure high-quality printouts.

Loading Paper

Genuine Epson Paper

Media Name	Size	Loading Capacity (Sheets)				2-Sided Printing
		Paper Cassette 1	Paper Cassette 2 to 4	Rear Paper Feed	Front Paper Feed Slot	
Epson Bright White Ink Jet Paper	A4	200	400	50	1	Auto, Manual*
Epson Ultra Glossy Photo Paper	A4, 13 × 18 cm (5 × 7 in.), 10 × 15 cm (4 × 6 in.)	–	–	20	–	–
Epson Premium Glossy Photo Paper	A3+, A3	–	–	10	–	–
	A4, 13 × 18 cm (5 × 7 in.), 16:9 wide size (102 × 181 mm), 10 × 15 cm (4 × 6 in.)	–	–	20	–	–
Epson Premium Semigloss Photo Paper	A3+, A3	–	–	10	–	–
	A4, 10 × 15 cm (4 × 6 in.)	–	–	20	–	–
Epson Photo Paper Glossy	A4, 13 × 18 cm (5 × 7 in.), 10 × 15 cm (4 × 6 in.)	–	–	20	–	–
Epson Matte Paper-Heavyweight	A3+, A3	–	–	10	–	–
	A4	–	–	20	–	–
Epson Photo Quality Ink Jet Paper	A3+, A3	–	–	50	–	–
	A4	–	–	70	–	–

* Only use the rear paper feed to print 2-sided print jobs manually. You can load up to 30 sheets for paper with one side already printed.

Loading Paper

Commercially Available Paper

Media Name	Size	Loading Capacity (Sheets or Envelopes)				2-Sided Printing
		Paper Cassette 1	Paper Cassette 2 to 4	Rear Paper Feed	Front Paper Feed Slot	
Plain paper Copy paper Letterhead Recycled paper Color paper Preprinted paper	A3, B4	Up to the line under the ▼ symbol inside the edge guide.		50	1	Auto, Manual ^{*1*2}
	Legal, Letter, A4, B5, A5	Up to the line under the ▼ symbol inside the edge guide.		80	1	Auto, Manual ^{*1*2}
	B6, A6	Up to the line under the ▼ symbol inside the edge guide.	–	80	1	Manual ^{*1*2}
	Executive	Up to the line under the ▼ symbol inside the edge guide.	–	80	1	Manual ^{*1*2}
	User Defined (mm) 55 × 127 to 105 × 148, 297 × 431.8 to 329 × 1200	–	–	1	–	Manual
	User Defined (mm) 105 × 148 to 148 × 210	–	–	80	1	Manual ^{*1*2}
	User Defined (mm) 148 × 210 to 215 × 297	–	–	80	1	Auto, Manual ^{*1*2}
	User Defined (mm) 215 × 297 to 297 × 431.8	–	–	50	1	Auto, Manual ^{*1*2}
Thick paper	A3, B4, Legal, Letter, A4, B5, A5, A6, Executive	–	–	10	–	Manual ^{*3}
	User Defined	–	–	1	–	Manual

Loading Paper

Media Name	Size	Loading Capacity (Sheets or Envelopes)				2-Sided Printing
		Paper Cassette 1	Paper Cassette 2 to 4	Rear Paper Feed	Front Paper Feed Slot	
Envelope	Envelope #10, Envelope DL, Envelope C6	–	–	10	–	–
	Envelope C4	–	–	1	–	–

- *1 Only use the rear paper feed to print 2-sided print jobs manually.
- *2 You can load up to 30 sheets for paper with one side already printed.
- *3 You can load up to 5 sheets for paper with one side already printed.

Related Information

➔ [“Part Names and Functions” on page 14](#)

List of Paper Types

To obtain optimum printing results, select the paper type that suits the paper.

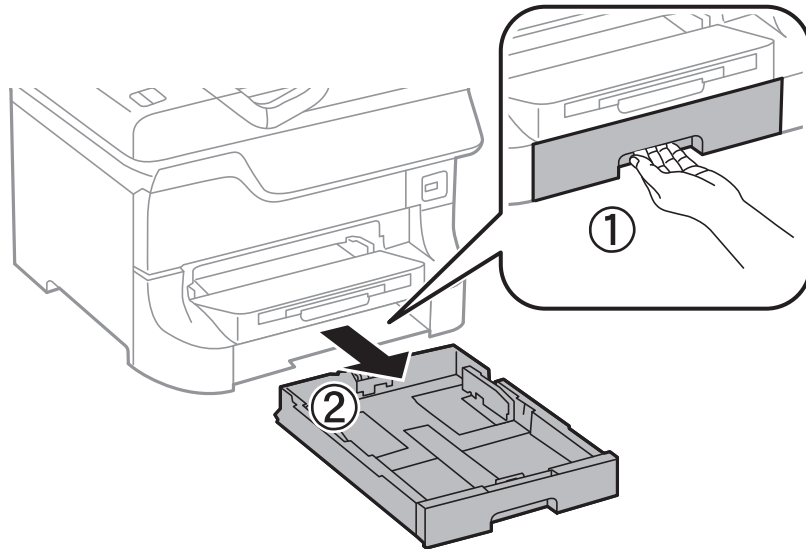
Media Name	Media Type	
	Control Panel	Printer Driver
Copy paper, Plain paper Epson Bright White Ink Jet Paper	plain papers	plain papers
Letterhead	Letterhead	Letterhead
Recycled paper	Recycled	Recycled
Colored paper	Color	Color
Preprinted paper	Preprinted	Preprinted
Epson Ultra Glossy Photo Paper	Ultra Glossy	Epson Ultra Glossy
Epson Premium Glossy Photo Paper	Prem. Glossy	Epson Premium Glossy
Epson Premium Semigloss Photo Paper	Prem. Semigloss	Epson Premium Semigloss
Epson Photo Paper Glossy	Glossy	Photo Paper Glossy
Epson Matte Paper-Heavyweight Epson Photo Quality Ink Jet Paper	Matte	Epson Matte
Thick paper	Thick-Paper	Thick-Paper
Envelope	Envelope	Envelope

Loading Paper in the Paper Cassette

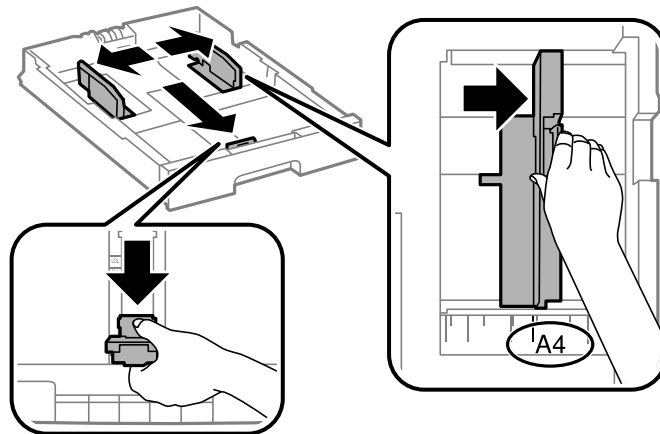
Note:

If the optional cabinet and the paper cassette units are installed, do not pull out two or more paper cassettes at the same time.

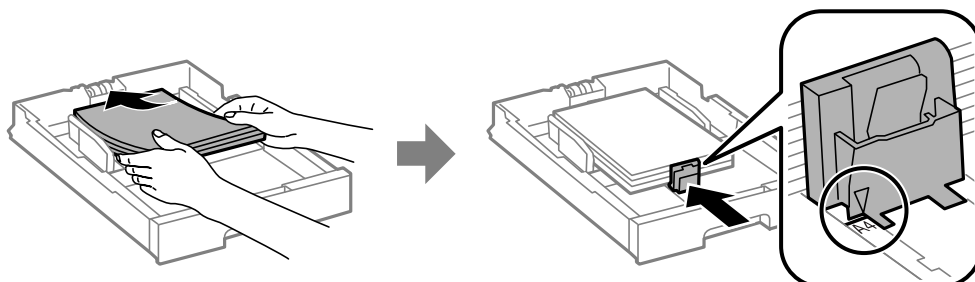
1. Check that the printer is not operating, and then pull out the paper cassette.



2. Slide the front edge guide to its maximum position, and then slide the side edge guides to adjust to the paper size you want to use.



3. Load paper with the printable side facing down, and then slide the front edge guide to the edge of the paper.

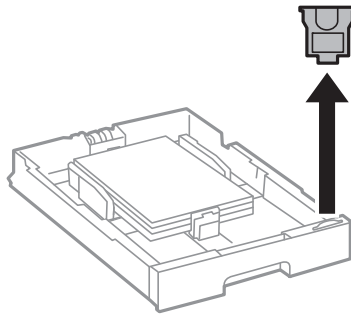


Loading Paper

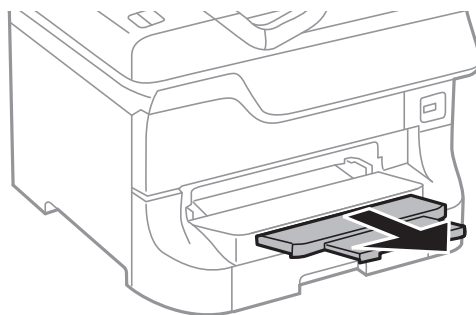
! *Important:*

Do not load more than the maximum number of sheets specified for the paper. For plain paper, do not load above the line just under the ▼ symbol inside the edge guide.

4. Check that the paper size label matches the size of the paper loaded in the paper cassette. If it does not match, remove the holder and change the paper size indicated on the label.



5. Insert the paper cassette all the way.
6. On the control panel, set the size and type of the paper you loaded in the paper cassette.
7. Slide out the output tray.

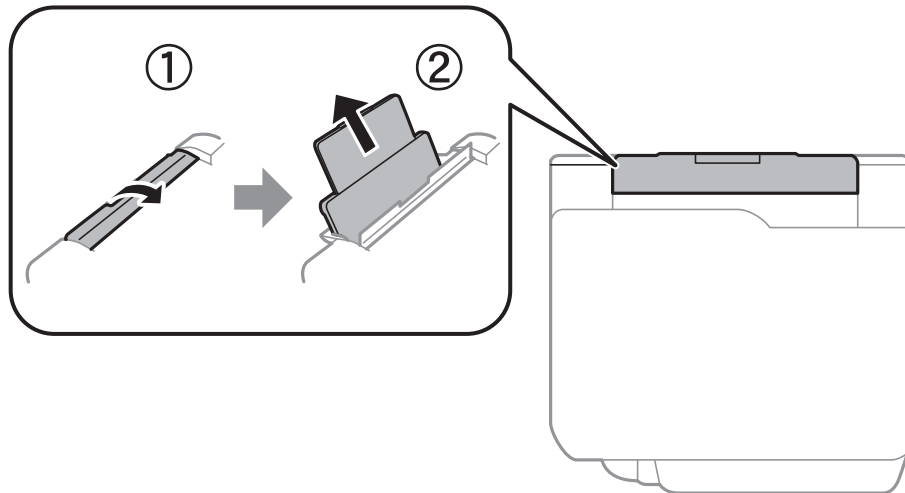


Related Information

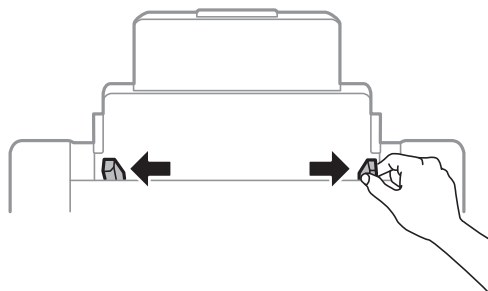
- ➔ [“Paper Handling Precautions” on page 24](#)
- ➔ [“Available Paper and Capacities” on page 24](#)

Loading Paper in the Rear Paper Feed

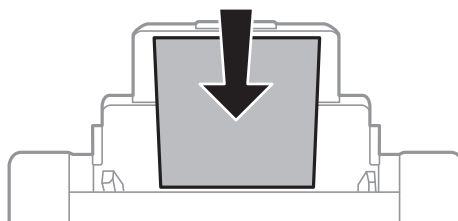
1. Open the feeder guard and pull out the paper support.



2. Slide the edge guides.



3. Load paper at the center of the rear paper feed with the printable side facing up.

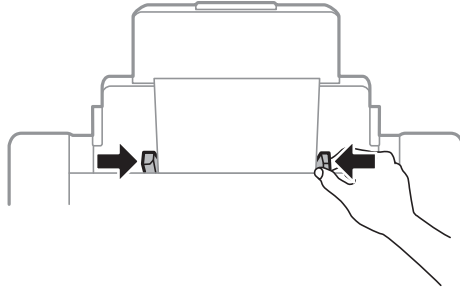


! Important:

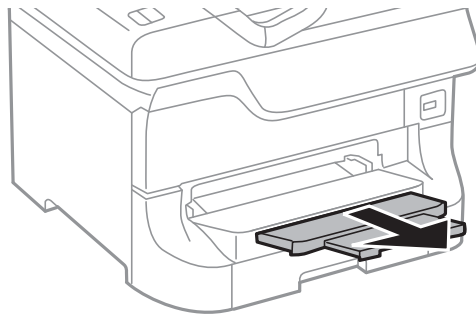
- ❑ Do not load more than the maximum number of sheets specified for the paper. For plain paper, do not load above the line just under the ▼ symbol inside the edge guide.
- ❑ Load paper short edge first. However, when you have set the long edge as the width of the user defined size, load paper long edge first.

Loading Paper

- Slide the edge guides to the edges of the paper.

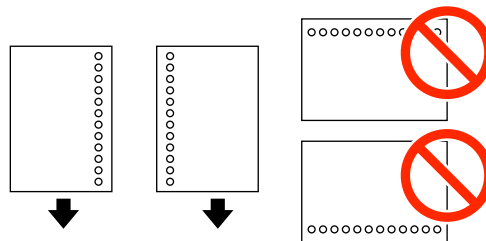


- On the control panel, set the size and type of the paper you loaded in the rear paper feed.
- Slide out the output tray.



Note:

- Return the remaining paper to its package. If you leave it in the printer, the paper may curl or the print quality may decline.
- You can use pre-punched paper under the following conditions. Automatic 2-sided printing is not available for pre-punched paper.
 - Loading capacity: One sheet
 - Available size: A3, B4, A4, B5, A5, Letter, Legal
 - Binding holes: Do not load paper with the binding holes at the top or the bottom. Adjust the print position of your file to avoid printing over the holes.



Related Information

- ➔ [“Paper Handling Precautions” on page 24](#)
- ➔ [“Available Paper and Capacities” on page 24](#)
- ➔ [“Loading Envelopes and Precautions” on page 33](#)

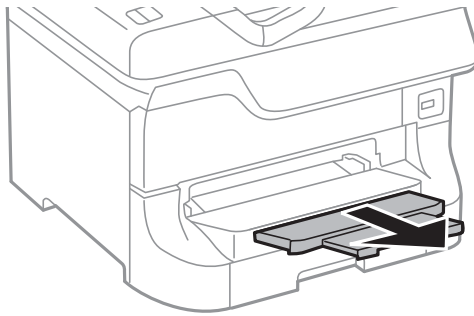
Loading Paper in the Front Paper Feed Slot

You can only load one sheet of paper in the front paper feed slot. Because the front paper feed slot also serves the output tray, you cannot load paper during printing.

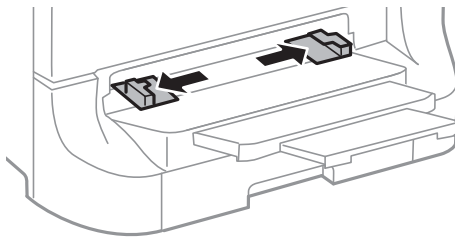
**Important:**

You can load paper with a thickness of 0.08 to 0.11 mm in the front paper feed slot. However, even if the thickness is within this range, some papers may not be fed correctly depending on their hardness.

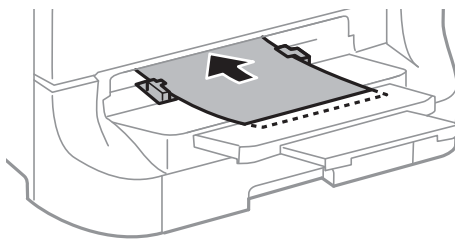
1. Slide out the output tray.



2. Slide the edge guides to adjust to the paper size you want to use.



3. Insert the paper with the printable side facing down until the printer partially pulls in the paper.

**Important:**

- Load paper short edge first. However, when you have set the long edge as the width of the user defined size, load paper long edge first.
- Keep the paper straight to prevent it from being fed askew.

Note:

If the printer does not pull in the paper, load it again.

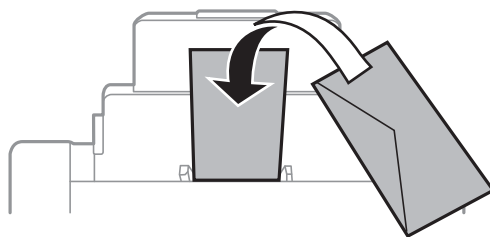
Loading Paper

Related Information

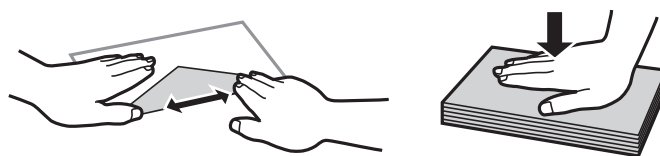
- ➔ [“Paper Handling Precautions” on page 24](#)
- ➔ [“Available Paper and Capacities” on page 24](#)

Loading Envelopes and Precautions

Envelopes can only be loaded in the rear paper feed. Load envelopes short edge first at the center with the flap facing down, and slide the edge guides to the edges of the envelopes.



- Fan and align the edges of the envelopes before loading. When the stacked envelopes are puffed up with air, press them down to flatten them before loading.




- Do not use envelopes that are curled or folded. Using these envelopes causes paper jams and smears on the printout.
- Do not use envelopes with adhesive surfaces on the flaps or window envelopes.
- Avoid using envelopes that are too thin, as they may curl during printing.

Related Information

- ➔ [“Available Paper and Capacities” on page 24](#)
- ➔ [“Loading Paper in the Rear Paper Feed” on page 30](#)

Setting the Paper Size and Paper Type for Each Paper Source

After loading paper, set the paper size and paper type for each paper source on the control panel. Once these settings have been made, when automatic paper source selection is enabled, paper is automatically fed from a paper source that matches the paper size and type settings for the print job. You do not need to select the paper source each time you print.

1. Press the  button.
2. Select a paper source.

Loading Paper

3. Select the paper size and paper type you loaded.

Related Information

➔ [“List of Paper Types” on page 27](#)

Printing

Printing from a Computer

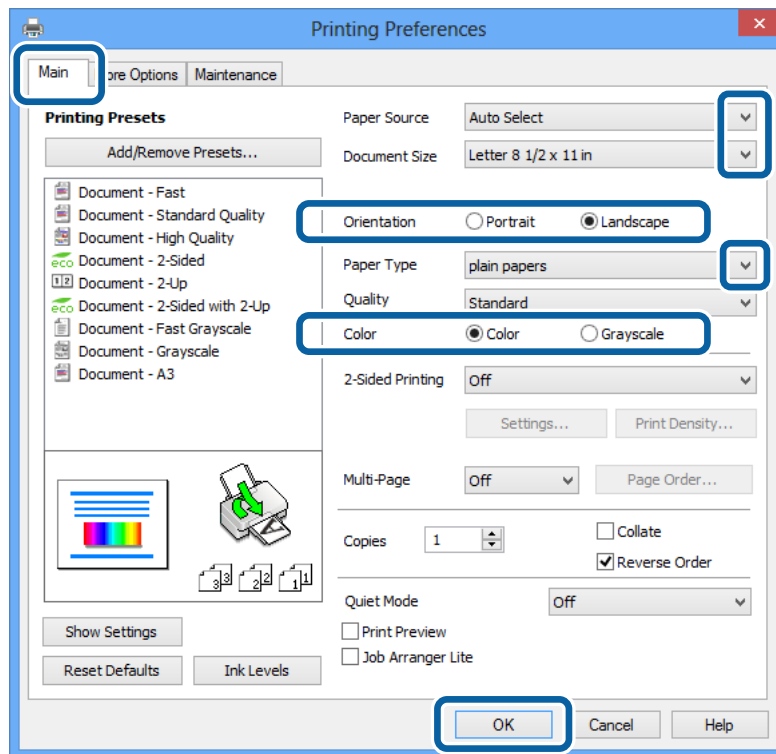
If you cannot change some of the printer driver settings, they may have been restricted by the administrator. Contact your printer administrator for assistance.

Printing Basics - Windows

Note:

- ❑ See the online help for explanations of the setting items. Right-click an item, and then click **Help**.
- ❑ Operations may differ depending on the application. See the application's help for details.

1. Load paper in the printer.
2. Open the file you want to print.
3. Select **Print** or **Print Setup** from the **File** menu.
4. Select your printer.
5. Select **Preferences** or **Properties** to access the printer driver window.



6. Make the following settings.
 - ❑ Paper Source: Select the paper source in which you loaded the paper.
 - ❑ Document Size: Select the paper size you set in the application.

Printing

- Orientation: Select the orientation you set in the application.
- Paper Type: Select the type of paper you loaded.
Make sure you select the correct paper type to optimize the print quality.
- Color: Select **Grayscale** when you want to print in black or shades of gray.

Note:

If you are printing high-density data on plain paper, letterhead, or preprinted paper, select Standard-Vivid as the Quality setting to make your printout vivid.

7. Click **OK** to close the printer driver window.
8. Click **Print**.

Related Information

- ➔ [“Available Paper and Capacities” on page 24](#)
- ➔ [“Loading Paper in the Paper Cassette” on page 28](#)
- ➔ [“Loading Paper in the Rear Paper Feed” on page 30](#)
- ➔ [“Loading Paper in the Front Paper Feed Slot” on page 32](#)
- ➔ [“List of Paper Types” on page 27](#)

Printing Basics - Mac OS X

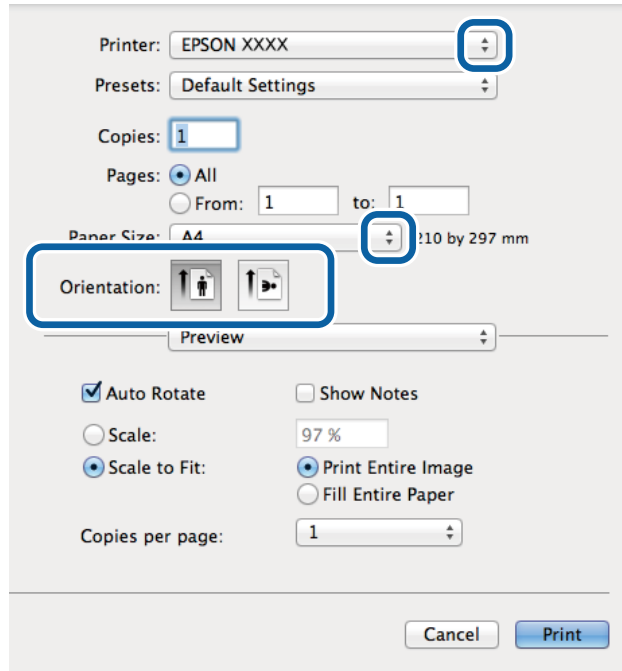
Note:

Operations differ depending on the application. See the application's help for details.

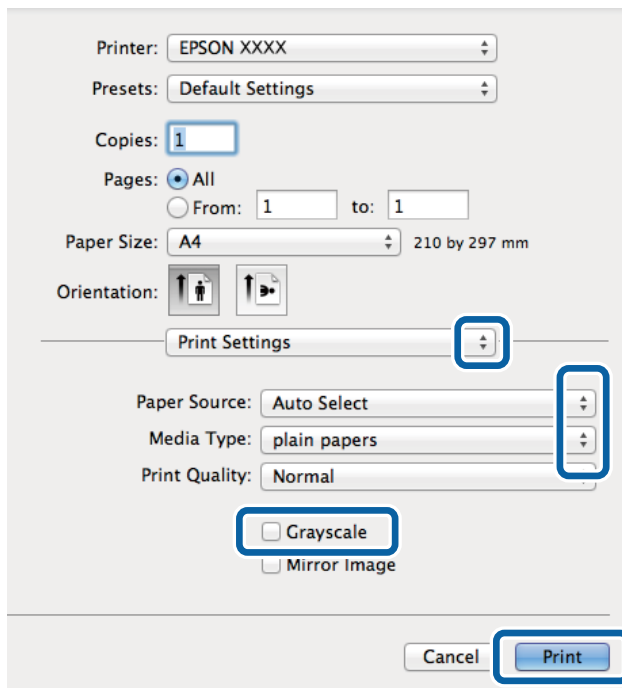
1. Load paper in the printer.
2. Open the file you want to print.

Printing

3. Select **Print** from the **File** menu or another command to access the printer driver window.
If necessary, click **Show Details** or ▼ to expand the print window.



4. Make the following settings.
 - Printer: Select your printer.
 - Paper Size: Select the paper size you set in the application.
 - Orientation: Select the orientation you set in the application.
5. Select **Print Settings** from the pop-up menu.



Printing

6. Make the following settings.
 - Paper Source: Select the paper source in which you loaded the paper.
 - Media Type: Select the type of paper you loaded.
Make sure you select the correct paper type to optimize the print quality.
 - Grayscale: Select to print in black or shades of gray.
7. Click **Print**.

Related Information

- ➔ [“Available Paper and Capacities” on page 24](#)
- ➔ [“Loading Paper in the Paper Cassette” on page 28](#)
- ➔ [“Loading Paper in the Rear Paper Feed” on page 30](#)
- ➔ [“Loading Paper in the Front Paper Feed Slot” on page 32](#)
- ➔ [“List of Paper Types” on page 27](#)

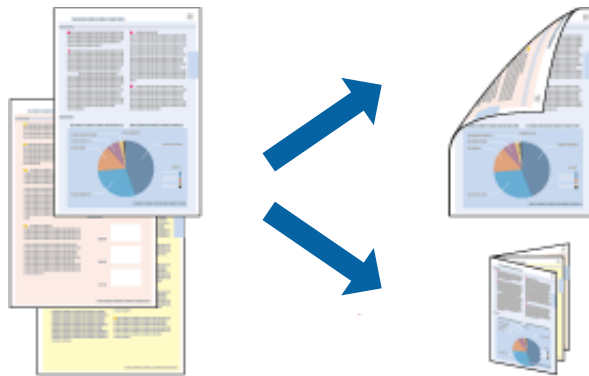
Printing on 2-Sides

You can use either of the following methods to print on both sides of the paper.

- Automatic 2-sided printing
- Manual 2-sided printing (for Windows only)

When the printer has finished printing the first side, flip the paper over to print on the other side.

You can also print a booklet that can be created by folding the printout. (For Windows only)



Note:

- If you do not use paper that is suitable for 2-sided printing, the print quality may decline and paper jams may occur.
- Depending on the paper and the data, ink may bleed through to the other side of the paper.

Related Information

- ➔ [“Available Paper and Capacities” on page 24](#)

Printing

Printing on 2-Sides - Windows

Note:

❑ *Manual 2-sided printing is available when **EPSON Status Monitor 3** is enabled. If **EPSON Status Monitor 3** is disabled, access the printer driver, click **Extended Settings** on the **Maintenance** tab, and then select **Enable EPSON Status Monitor 3**.*

❑ *Manual 2-sided printing may not be available when the printer is accessed over a network or is used as a shared printer.*

1. Load paper in the printer.
2. Open the file you want to print.
3. Access the printer driver window.
4. Select **Auto (Long-edge binding)**, **Auto (Short-edge binding)**, **Manual (Long-edge binding)**, or **Manual (Short-edge binding)** from **2-Sided Printing** on the **Main** tab.
5. Click **Settings** and make the appropriate settings.

Note:

*To print a folded booklet, select **Booklet**.*

6. Click **Print Density**, select the document type from **Select Document Type**, and then click **OK** to close the window.

The printer driver automatically sets the **Adjustments** options for that document type.

Note:

*Printing may be slow depending on the combination of options selected for **Select Document Type** in the **Print Density Adjustment** window and for **Quality** on the **Main** tab.*

7. Set the other items on the **Main** and **More Options** tabs as necessary, and then click **OK**.
8. Click **Print**.

For manual 2-sided printing, when the first side has finished printing, a pop-up window is displayed on the computer. Follow the on-screen instructions.

Related Information

- ➔ [“Loading Paper in the Paper Cassette” on page 28](#)
- ➔ [“Loading Paper in the Rear Paper Feed” on page 30](#)
- ➔ [“Loading Paper in the Front Paper Feed Slot” on page 32](#)
- ➔ [“Printing Basics - Windows” on page 35](#)

Printing on 2-Sides - Mac OS X

1. Load paper in the printer.
2. Open the file you want to print.
3. Access the printer driver window.
4. Select **Two-sided Printing Settings** from the pop-up menu.

Printing

5. Select the bindings and **Document Type**.

Note:

- ❑ *Printing may be slow depending on the **Document Type** setting.*
- ❑ *If you are printing high-density data such as photos or graphs, select **Text & Graphics** or **Text & Photos** as the **Document Type** setting. If scuffing occurs or the image bleeds through to the reverse side, adjust the print density and ink drying time by clicking the arrow mark next to **Adjustments**.*

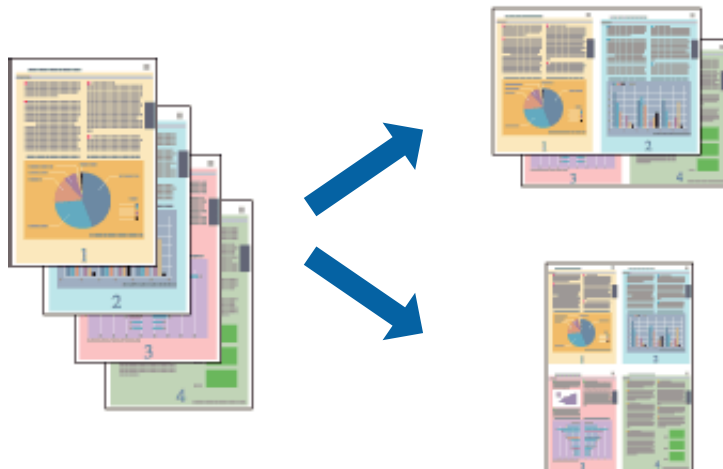
6. Set the other items as necessary.
7. Click **Print**.

Related Information

- ➔ [“Loading Paper in the Paper Cassette” on page 28](#)
- ➔ [“Loading Paper in the Rear Paper Feed” on page 30](#)
- ➔ [“Loading Paper in the Front Paper Feed Slot” on page 32](#)
- ➔ [“Printing Basics - Mac OS X” on page 36](#)

Printing Several Pages on One Sheet

You can print two or four pages of data on a single sheet of paper.



Printing Several Pages on One Sheet - Windows

1. Load paper in the printer.
2. Open the file you want to print.
3. Access the printer driver window.
4. Select **2-Up** or **4-Up** as the **Multi-Page** setting on the **Main** tab.
5. Click **Page Order**, make the appropriate settings, and then click **OK** to close the window.
6. Set the other items on the **Main** and **More Options** tabs as necessary, and then click **OK**.
7. Click **Print**.

Printing

Related Information

- ➔ [“Loading Paper in the Paper Cassette” on page 28](#)
- ➔ [“Loading Paper in the Rear Paper Feed” on page 30](#)
- ➔ [“Loading Paper in the Front Paper Feed Slot” on page 32](#)
- ➔ [“Printing Basics - Windows” on page 35](#)

Printing Several Pages on One Sheet - Mac OS X

1. Load paper in the printer.
2. Open the file you want to print.
3. Access the printer driver window.
4. Select **Layout** from the pop-up menu.
5. Set the number of pages in **Pages per Sheet**, the **Layout Direction** (page order), and **Border**.
6. Set the other items as necessary.
7. Click **Print**.

Related Information

- ➔ [“Loading Paper in the Paper Cassette” on page 28](#)
- ➔ [“Loading Paper in the Rear Paper Feed” on page 30](#)
- ➔ [“Loading Paper in the Front Paper Feed Slot” on page 32](#)
- ➔ [“Printing Basics - Mac OS X” on page 36](#)

Printing to Fit the Paper Size

You can print to fit the paper size you loaded in the printer.



Printing to Fit the Paper Size - Windows

1. Load paper in the printer.
2. Open the file you want to print.

Printing

3. Access the printer driver window.
 4. Make the following settings on the **More Options** tab.
 - Document Size: Select the paper size you set in the application.
 - Output Paper: Select the paper size you loaded in the printer.
Fit to Page is selected automatically.
- Note:**
*If you want to print a reduced image at the center of the page, select **Center**.*
5. Set the other items on the **Main** and **More Options** tabs as necessary, and then click **OK**.
 6. Click **Print**.

Related Information

- ➔ [“Loading Paper in the Paper Cassette” on page 28](#)
- ➔ [“Loading Paper in the Rear Paper Feed” on page 30](#)
- ➔ [“Loading Paper in the Front Paper Feed Slot” on page 32](#)
- ➔ [“Printing Basics - Windows” on page 35](#)

Printing to Fit the Paper Size - Mac OS X

1. Load paper in the printer.
2. Open the file you want to print.
3. Access the printer driver window.
4. Select the size of the paper you set in the application as the **Paper Size** setting.
5. Select **Paper Handling** from the pop-up menu.
6. Select **Scale to fit paper size**.
7. Select the paper size you loaded in the printer as the **Destination Paper Size** setting.
8. Set the other items as necessary.
9. Click **Print**.

Related Information

- ➔ [“Loading Paper in the Paper Cassette” on page 28](#)
- ➔ [“Loading Paper in the Rear Paper Feed” on page 30](#)
- ➔ [“Loading Paper in the Front Paper Feed Slot” on page 32](#)
- ➔ [“Printing Basics - Mac OS X” on page 36](#)

Printing

Printing Multiple Files Together (for Windows Only)

Job Arranger Lite allows you to combine several files created by different applications and print them as a single print job. You can specify the print settings for combined files, such as layout, print order, and orientation.



Note:

To open a **Print Project** saved in **Job Arranger Lite**, click **Job Arranger Lite** on the printer driver's **Maintenance** tab. Next, select **Open** from the **File** menu to select the file. The extension of the saved files is ".ecl".

1. Load paper in the printer.
2. Open the file you want to print.
3. Access the printer driver window.
4. Select **Job Arranger Lite** on the **Main** tab.
5. Set the **Paper Source**, **Document Size**, **Orientation**, and **Paper Type**.
6. Click **OK** to close the printer driver window.
7. Click **Print**.

The **Job Arranger Lite** window is displayed and the print job is added to the **Print Project**.

8. With the **Job Arranger Lite** window opened, open the file that you want to combine with the current file, and then repeat steps 3 to 7.

Note:

If you close the **Job Arranger Lite** window, the unsaved **Print Project** is deleted. To print later, select **Save** from the **File** menu.

9. Select the **Layout** and **Edit** menus in **Job Arranger Lite** to edit the **Print Project** as necessary.
10. Select **Print** from the **File** menu.

Related Information

- ➔ [“Loading Paper in the Paper Cassette” on page 28](#)
- ➔ [“Loading Paper in the Rear Paper Feed” on page 30](#)
- ➔ [“Loading Paper in the Front Paper Feed Slot” on page 32](#)
- ➔ [“Printing Basics - Windows” on page 35](#)

Printing

Enlarged Printing and Making Posters (for Windows Only)

You can print one image on multiple sheets of paper to create a larger poster. You can print alignment marks that help you stick the sheets together.



1. Load paper in the printer.
2. Open the file you want to print.
3. Access the printer driver window.
4. Select **2x1 Poster**, **2x2 Poster**, **3x3 Poster**, or **4x4 Poster** from **Multi-Page** on the **Main** tab.
5. Click **Settings**, make the appropriate settings, and then click **OK**.
6. Set the other items on the **Main** and **More Options** tabs as necessary, and then click **OK**.
7. Click **Print**.

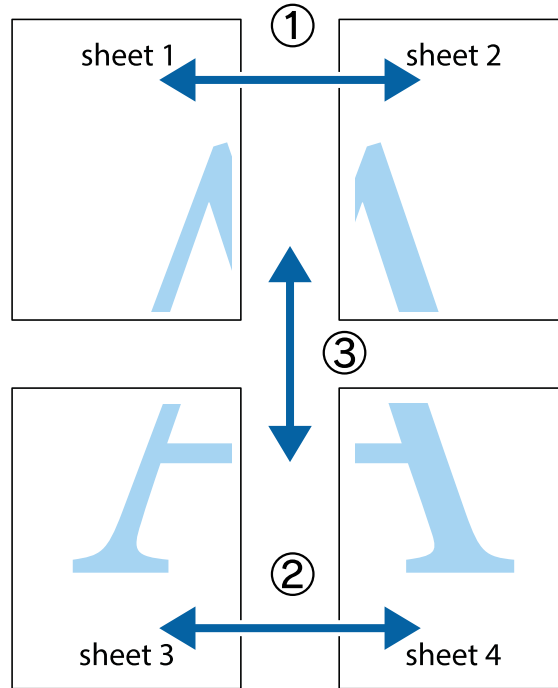
Related Information

- ➔ [“Loading Paper in the Paper Cassette” on page 28](#)
- ➔ [“Loading Paper in the Rear Paper Feed” on page 30](#)
- ➔ [“Loading Paper in the Front Paper Feed Slot” on page 32](#)
- ➔ [“Printing Basics - Windows” on page 35](#)

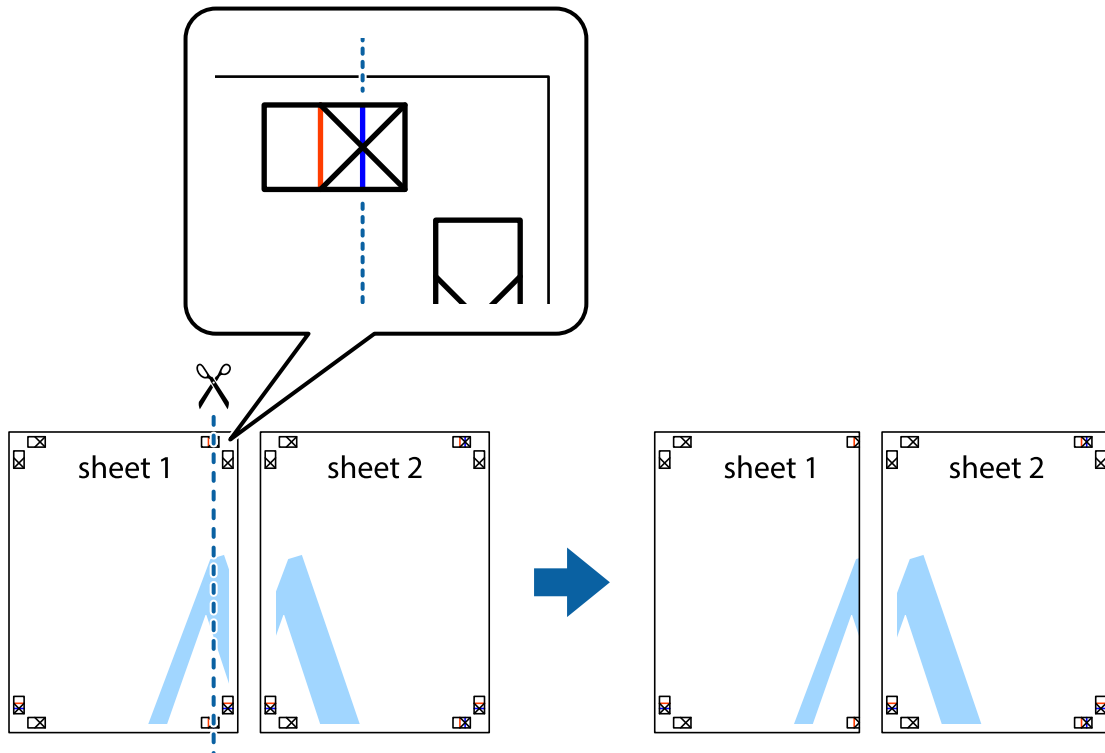
Printing

Making Posters Using Overlapping Alignment Marks

Here is an example of how to make a poster when **2x2 Poster** is selected, and **Overlapping Alignment Marks** is selected in **Print Cutting Guides**.

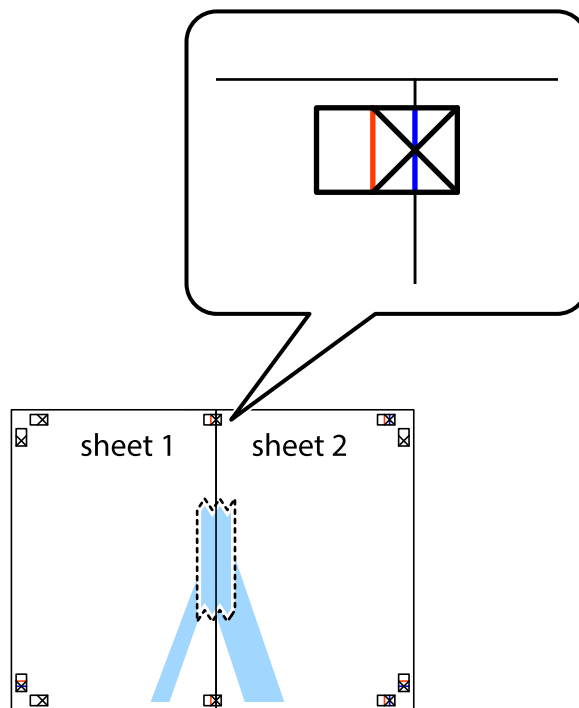


1. Prepare Sheet 1 and Sheet 2. Cut off the margins of Sheet 1 along the vertical blue line through the center of the top and bottom cross marks.

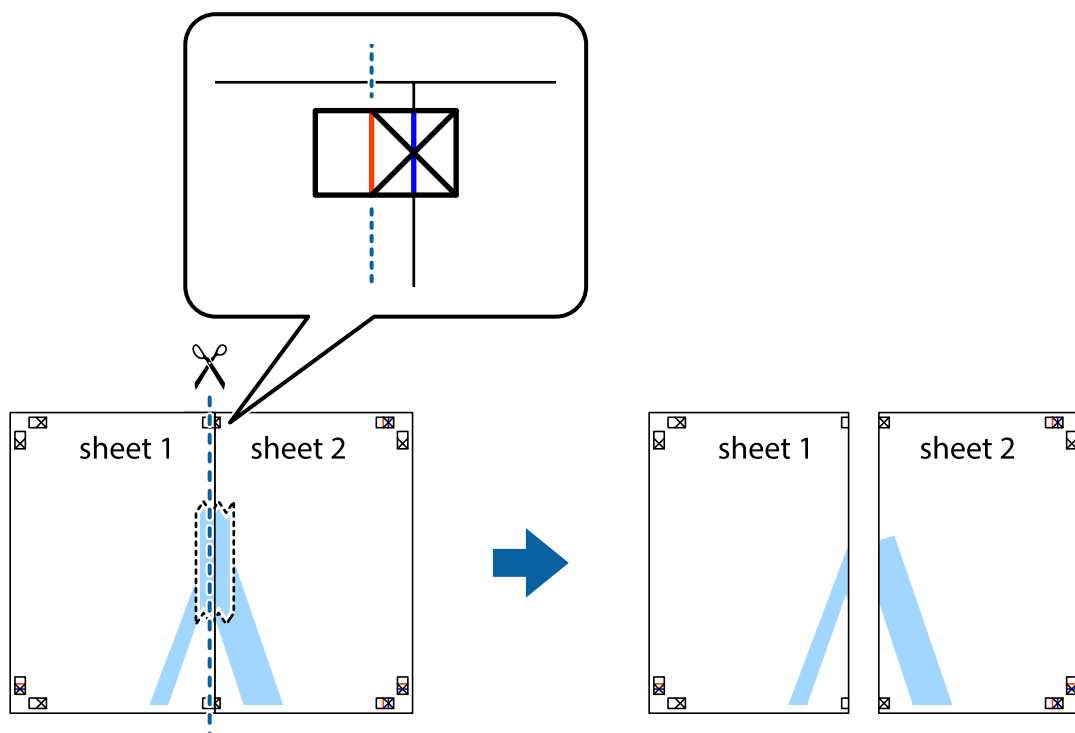


Printing

2. Place the edge of Sheet 1 on top of Sheet 2 and align the cross marks, then temporarily tape the two sheets together from the back.

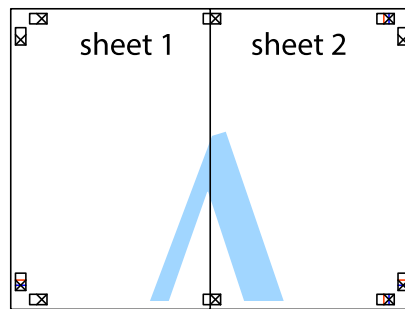


3. Cut the taped sheets in two along the vertical red line through the alignment markers (this time, the line to the left of the cross marks).

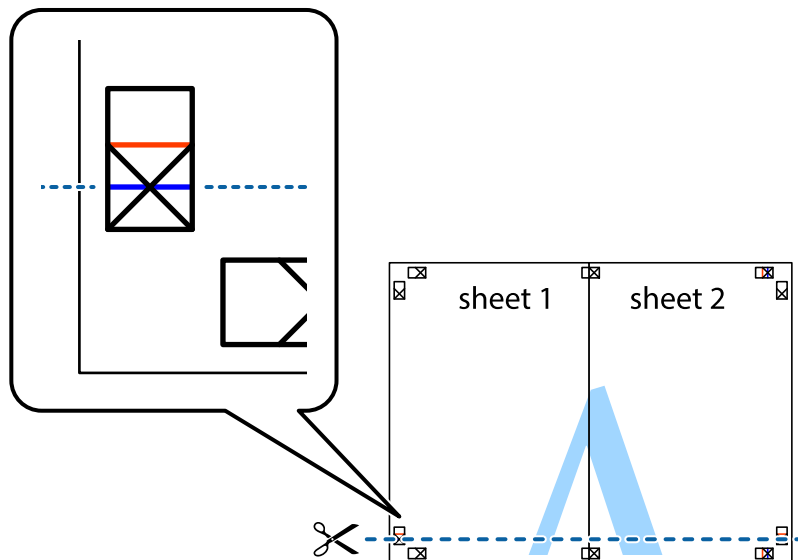


Printing

4. Tape the sheets together from the back.

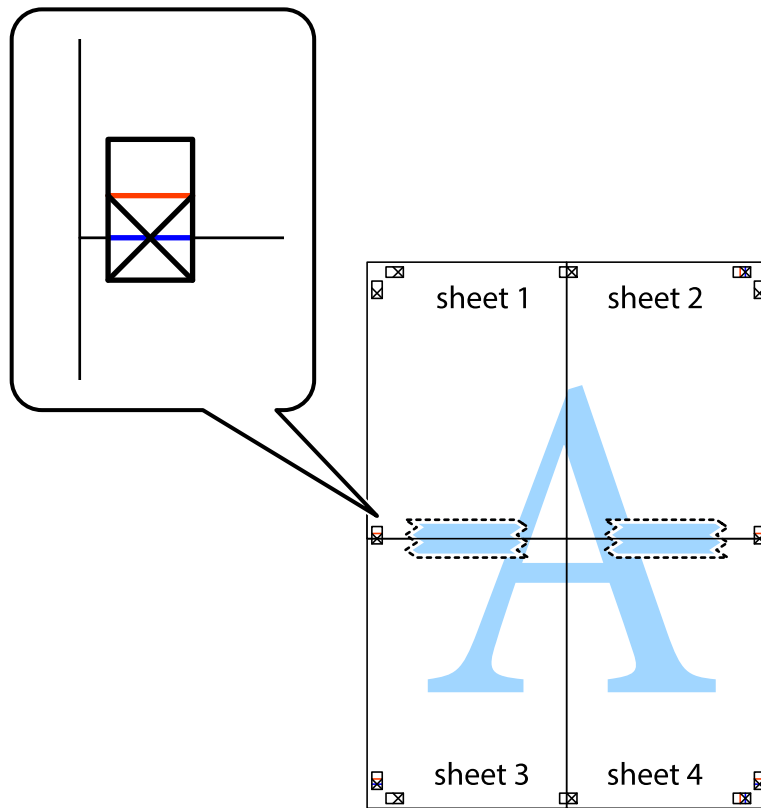


5. Repeat steps 1 to 4 to tape Sheet 3 and Sheet 4 together.
6. Cut off the margins of Sheet 1 and Sheet 2 along the horizontal blue line through the center of the left and right side cross marks.



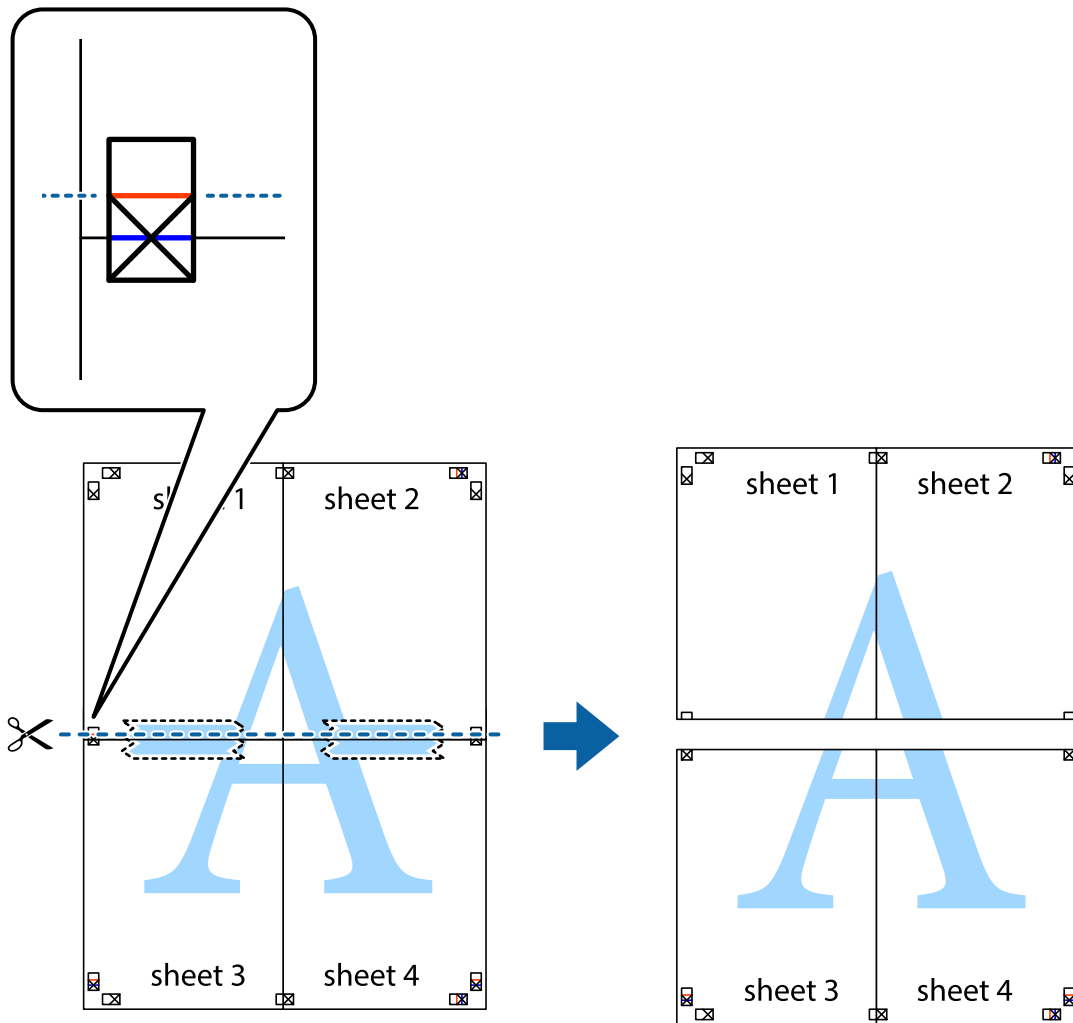
Printing

7. Place the edge of Sheet 1 and Sheet 2 on top of Sheet 3 and Sheet 4 and align the cross marks, and then temporarily tape them together from the back.



Printing

- Cut the taped sheets in two along the horizontal red line through the alignment markers (this time, the line above the cross marks).

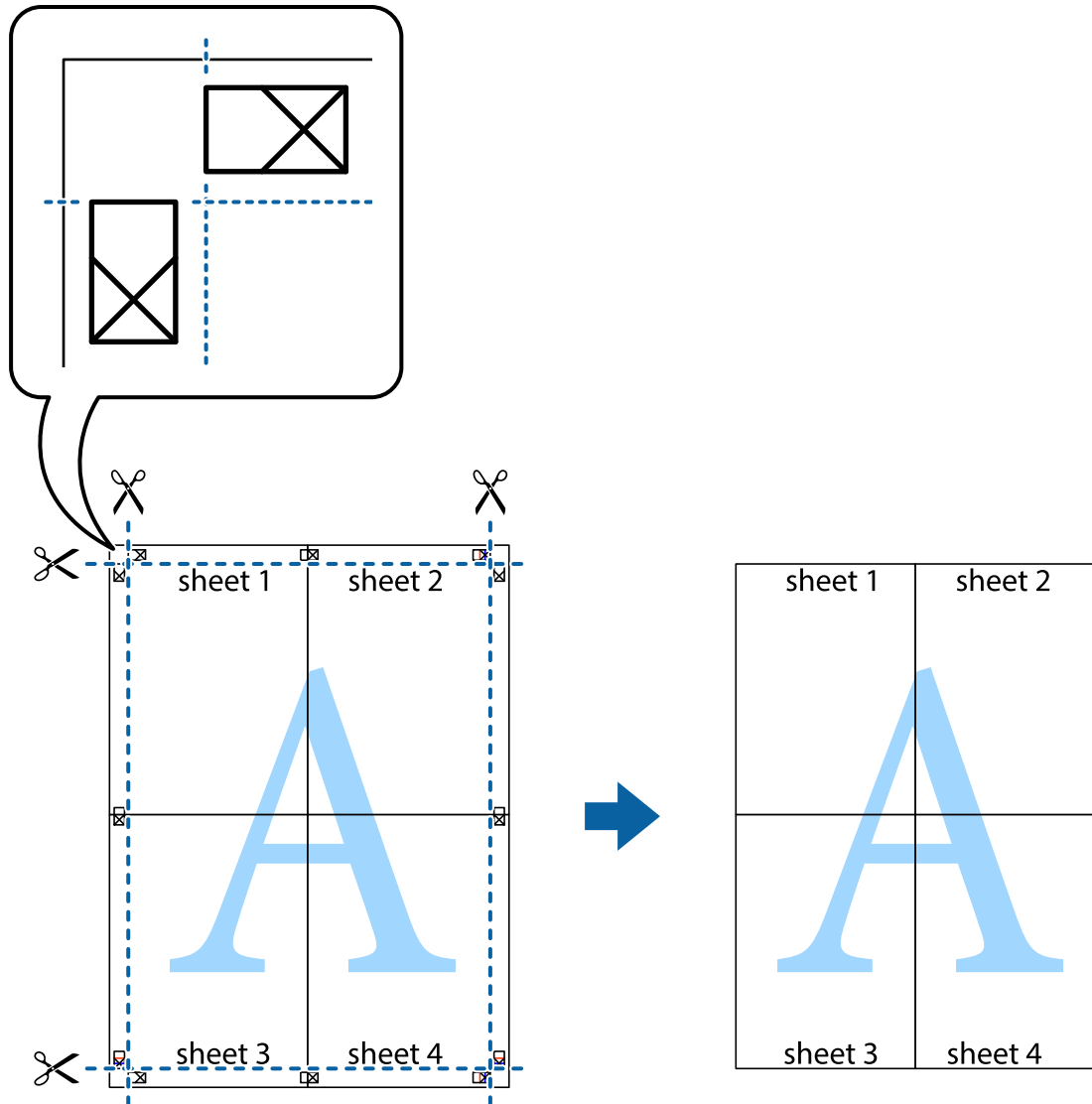


- Tape the sheets together from the back.



Printing

- Cut off the remaining margins along the outer guide.



Printing on Envelopes

Printing on Envelopes - Windows

- Load envelopes in the printer.
- Open the file you want to print.
- Access the printer driver window.
- Make the following settings on the **Main** tab.
 - Paper Source: Select the paper source in which you loaded the envelopes.
 - Document Size: Select the envelope size you set in the application.
 - Orientation: Select landscape.
 - Paper Type: Select **Envelope**.

Printing

5. Set the other items on the **Main** and **More Options** tabs as necessary, and then click **OK**.
6. Click **Print**.

Related Information

- ➔ [“Loading Envelopes and Precautions” on page 33](#)
- ➔ [“Printing Basics - Windows” on page 35](#)

Printing on Envelopes - Mac OS X

1. Load envelopes in the printer.
2. Open the file you want to print.
3. Access the printer driver window.
4. Make the following settings.
 - Paper Size: Select the envelope size you set in the application.
 - Orientation: Select landscape.
5. Select **Print Settings** from the pop-up menu.
6. Make the following settings.
 - Paper Source: Select the paper source in which you loaded the envelopes.
 - Media Type: Select **Envelope**.
7. Click **Print**.

Related Information

- ➔ [“Loading Envelopes and Precautions” on page 33](#)
- ➔ [“Printing Basics - Mac OS X” on page 36](#)

Printing Using Advanced Features

This section introduces a variety of additional layout and printing features available on the printer driver.

Related Information

- ➔ [“Windows Printer Driver” on page 76](#)
- ➔ [“Mac OS X Printer Driver” on page 78](#)

Adding a Printing Preset

If you create your own preset of frequently used print settings on the printer driver, you can print easily by selecting the preset from the list.

Printing

Windows

To add your own preset, set items such as the **Document Size** and **Paper Type** on the **Main** or **More Options** tab, and then click **Add/Remove Presets** in **Printing Presets**.

Mac OS X

Access the printer driver window. To add your own preset, set items such as the **Paper Size** and **Media Type**, and then save the current settings as the preset in the **Presets** setting.

Printing a Reduced or Enlarged Document

You can reduce or enlarge the size of a document by a specific percentage.

Windows

Set the **Document Size** on the **More Options** tab. Select **Reduce/Enlarge Document**, **Zoom to**, and then enter a percentage.

Mac OS X

Access the printer driver window. Select **Scale**, and then enter a percentage.

Adjusting the Print Color

You can adjust the colors used in the print job.

PhotoEnhance produces sharper images and more vivid colors by automatically adjusting the contrast, saturation, and brightness of the original image data.

Note:

- These adjustments are not applied to the original data.*
- PhotoEnhance** adjusts the color by analyzing the location of the subject. Therefore, if you have changed the location of the subject by reducing, enlarging, cropping, or rotating the image, the color may change unexpectedly. Selecting the borderless setting also changes the location of the subject resulting in changes in color. If the image is out of focus, the tone may be unnatural. If the color is changed or becomes unnatural, print in a mode other than **PhotoEnhance**.*

Windows

Select **Custom** as the **Color Correction** setting on the **More Options** tab. Click **Advanced**, select the **Color Management** setting, and then make appropriate settings.

Mac OS X

Access the printer driver window. Select **Color Matching** from the pop-up menu, and then select **EPSON Color Controls**. Select **Color Options** from the pop-up menu, and then select one of the available options. Click the arrow next to **Advanced Settings** and make the appropriate settings.

Printing an Anti-Copy Pattern (for Windows Only)

You can print documents with invisible letters such as "Copy". These letters appear when the document is photocopied so that the copies can be distinguished from the original. You can also add your own anti-copy pattern.

Printing

Note:

This feature is only available when the following settings are selected.

- Paper Type: plain papers
- Quality: Standard
- Auto 2-sided printing: Disabled
- Color Correction: Automatic
- Short Grain Paper: Disabled

Click **Watermark Features** on the **More Options** tab, and then select an anti-copy pattern. Click **Settings** to change details such as the size and density.

Printing a Watermark (for Windows Only)

You can print a watermark such as "Confidential" on your printouts. You can also add your own watermark.

Click **Watermark Features** on the **More Options** tab, and then select a watermark. Click **Settings** to change details such as the color and position of the watermark.

Printing a Header and Footer (for Windows Only)

You can print information such as a user name and printing date as headers or footers.

Click **Watermark Features** in the **More Options** tab, and then select **Header/Footer**. Click **Settings** and select necessary items from the drop-down list.

Setting a Password for a Print Job (for Windows Only)

You can set a password for a print job to prevent printing until the password is entered on the printer's control panel.

Select **Confidential Job** on the **More Options** tab, and then enter a password.

To print the job, enter **Menu** from the printer's home screen, and then select **Confidential Job**. Select the job and enter the password.

Smart Devices Printing

By using the Epson iPrint application you can print photos, documents, and Web pages from a smart device such as a smartphone or tablet. To use Epson iPrint, install it on your smartphone or tablet.

Visit the following website for more details.

<http://ipr.to/c>



Canceling Printing

Note:

- ❑ *In Windows, you cannot cancel a print job from the computer once it has been completely sent to the printer. In this case, cancel the print job by using the printer's control panel.*
- ❑ *When printing several pages from Mac OS X, you cannot cancel all of the jobs by using the control panel. In this case, cancel the print job from the computer.*
- ❑ *If you have sent a print job from Mac OS X v10.6.x or v10.5.8 through the network, you may not be able to cancel printing from the computer. In this case, cancel the print job by using the printer's control panel. If you cannot cancel printing from the control panel, see the Network Guide.*

Canceling Printing - Printer Button

Press the  button to cancel the print job in progress.


Canceling Printing - Windows

1. Access the printer driver window.
2. Select the **Maintenance** tab.
3. Click **Print Queue**.
4. Right-click on the job you want to cancel and then select **Cancel**.

Related Information

➔ [“Windows Printer Driver” on page 76](#)

Canceling Printing - Mac OS X

1. Click the printer icon in the **Dock**.
2. Select the job you want to cancel.
3. Cancel the job.
 - ❑ Mac OS X v10.8.x to Mac OS X v10.9.x
Click  next to the progress meter.
 - ❑ Mac OS X v10.5.8 to v10.7.x
Click **Delete**.

Replacing Ink Cartridges and Other Consumables

Checking the Status of the Ink Cartridges and the Maintenance Box

You can check the approximate ink levels and the approximate service life of the maintenance box from the control panel or the computer.

Checking the Status of the Ink Cartridges and the Maintenance Box - Control Panel

1. Enter **Menu** from the home screen.
2. Select **Ink Levels**.

Note:

The indicator on the far right indicates the available space in the maintenance box.

Checking the Status of the Ink Cartridges and the Maintenance Box - Windows

1. Access the printer driver window.
2. Click **EPSON Status Monitor 3** on the **Maintenance** tab, and then click **Details**.

Note:

*If EPSON Status Monitor 3 is disabled, click **Extended Settings** on the **Maintenance** tab, and then select **Enable EPSON Status Monitor 3**.*

Related Information

➔ [“Windows Printer Driver” on page 76](#)

Checking the Status of the Ink Cartridges and the Maintenance Box - Mac OS X

1. Start the printer driver utility:

- Mac OS X v10.6.x to v10.9.x

Select **System Preferences** from the  menu > **Printers & Scanners** (or **Print & Scan, Print & Fax**), and then select the printer. Click **Options & Supplies** > **Utility** > **Open Printer Utility**.

- Mac OS X v10.5.8

Select **System Preferences** from the  menu > **Print & Fax**, and then select the printer. Click **Open Print Queue** > **Utility**.

Replacing Ink Cartridges and Other Consumables

2. Click EPSON Status Monitor.

Ink Cartridge Codes

Epson recommends the use of genuine Epson ink cartridges. Epson cannot guarantee the quality or reliability of non-genuine ink. The use of non-genuine ink may cause damage that is not covered by Epson's warranties, and under certain circumstances, may cause erratic printer behavior. Information about non-genuine ink levels may not be displayed.

The following are the codes for genuine Epson ink cartridges.

Black	Cyan	Magenta	Yellow
T7561	T7562	T7563	T7564
T7551	T7552	T7553	T7554

Note:

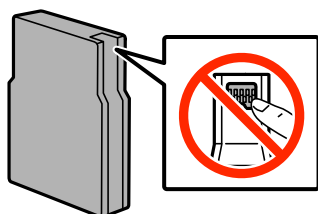
- Not all cartridges are available in all regions.
- For information on Epson's ink cartridge yields, visit the following website.
<http://www.epson.eu/pageyield>

Ink Cartridge Handling Precautions

Read the following instructions before replacing ink cartridges.

Handling precautions

- Store ink cartridges at normal room temperature and keep them away from direct sunlight.
- Epson recommends using the ink cartridge before the date printed on the package.
- For best results, use up ink cartridge within six months of opening the package.
- After bringing an ink cartridge inside from a cold storage site, allow it to warm up at room temperature for at least three hours before using it.
- Do not touch the sections shown in the illustration. Doing so may prevent normal operation and printing.



- Install all ink cartridges; otherwise you cannot print.
- Do not move the print head by hand; otherwise, you may damage the printer.
- Do not turn off the printer during ink charging. If the ink charging is incomplete, you may not be able to print.
- Do not leave the printer with the ink cartridges removed; otherwise, ink remaining in the print head nozzles may dry out and you may not be able to print.

Replacing Ink Cartridges and Other Consumables

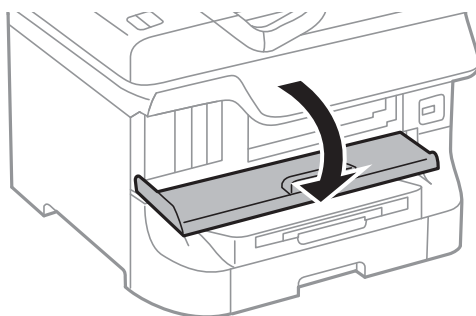
- ❑ If you need to remove an ink cartridge temporarily, make sure you protect the ink supply area from dirt and dust. Store the ink cartridge in the same environment as the printer. Because the ink supply port is equipped with a valve designed to contain the release of excess ink, there is no need to supply your own covers or plugs.
- ❑ Removed ink cartridges may have ink around the ink supply port, so be careful not to get any ink on the surrounding area when removing the cartridges.
- ❑ This printer uses ink cartridges equipped with an IC chip that monitors information such as the amount of remaining ink for each cartridge. This means that even if the cartridge is removed from the printer before it is expended, you can still use the cartridge after reinserting it back into the printer.
- ❑ To ensure you receive premium print quality and to help protect your print head, a variable ink safety reserve remains in the cartridge when your printer indicates to replace the cartridge. The yields quoted for you do not include this reserve.
- ❑ Although the ink cartridges may contain recycled materials, this does not affect printer function or performance.
- ❑ Do not disassemble or remodel the ink cartridge, otherwise you may not be able to print normally.
- ❑ Do not drop or knock it against hard objects; otherwise, the ink may leak.
- ❑ You cannot use the cartridges that came with the printer for the replacement.
- ❑ Quoted yields may vary depending on the images that you are printing, the paper type that you are using, the frequency of your prints and environmental conditions such as temperature.

Consumption of Ink

- ❑ To maintain optimum print head performance, some ink is consumed from all cartridges not only during printing but also during maintenance operations such as print head cleaning.
- ❑ When printing in monochrome or grayscale, color inks instead of black ink may be used depending on the paper type or print quality settings. This is because a mixture of color inks is used to create black.
- ❑ The ink in the ink cartridges supplied with your printer is partly used during initial setup. In order to produce high quality printouts, the print head in your printer will be fully charged with ink. This one-off process consumes a quantity of ink and therefore these cartridges may print fewer pages compared to subsequent ink cartridges.

Replacing Ink Cartridges

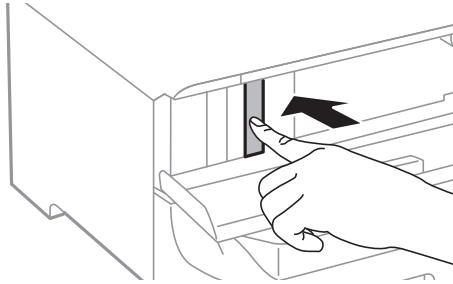
1. Open the front cover.



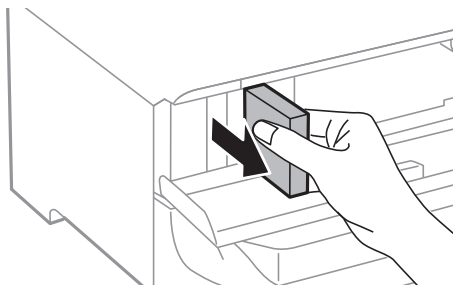
Replacing Ink Cartridges and Other Consumables

2. Push the ink cartridge that you want to replace.

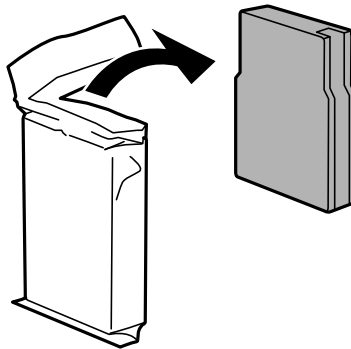
The ink cartridge will pop out slightly.



3. Remove the ink cartridge from the printer.

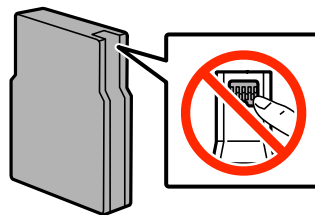


4. Remove the new ink cartridge from its package.



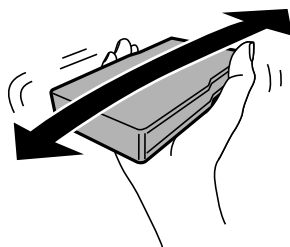
! **Important:**

Do not touch the sections shown in the illustration. Doing so may prevent normal operation and printing.



Replacing Ink Cartridges and Other Consumables

- Shake the ink cartridge horizontally for 5 seconds, moving it back and forth about 10 cm 15 times.



- Insert the cartridge into the printer until it clicks.

Note:

If **Cartridge Check** is displayed on the control panel, press the OK button to check if the cartridges are installed correctly.

- Close the front cover.

Note:

Put used ink cartridges in a plastic bag and dispose of them according to your local laws and regulations.

Related Information

- ➔ [“Ink Cartridge Codes” on page 56](#)
- ➔ [“Ink Cartridge Handling Precautions” on page 56](#)

Maintenance Box Code

Epson recommends the use of a genuine Epson maintenance box.

The following is the code for the genuine Epson maintenance box.

T6712

Maintenance Box Handling Precautions

Read the following instructions before replacing the maintenance box.

- Do not touch the green chip on the side of the maintenance box. Doing so may prevent normal operation and printing.
- Do not tilt the used maintenance box until after it is sealed in the plastic bag; otherwise ink may leak.
- Keep the maintenance box out of direct sunlight.
- Do not replace the maintenance box during printing; otherwise, ink may leak.
- Do not reuse a maintenance box which has been removed and left detached for a long period. Ink inside the box will have solidified and no more ink can be absorbed.

Replacing a Maintenance Box

In some print cycles a very small amount of surplus ink may be collected in the maintenance box. To prevent ink leakage from the maintenance box, the printer is designed to stop printing when the absorbing capacity of the maintenance box has reached its limit. Whether and how often this is required will vary according to the number of pages you print, the type of material that you print and the number of cleaning cycles that the printer performs. Replace the maintenance box when you are promoted to do so. The Epson Status Monitor, your LCD, or lights on the control panel will advise you when this part needs replacing. The need for replacement of the box does not mean that your printer has ceased to operate in accordance with its specifications. The Epson warranty does not cover the cost of this replacement. It is a user-serviceable part.

1. Remove the new maintenance box from its package.

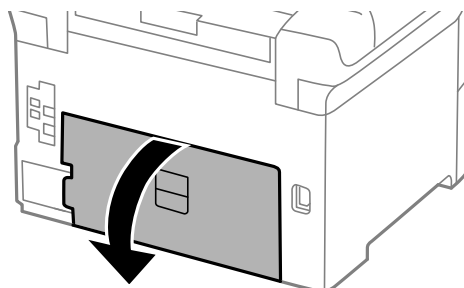
! **Important:**

- Do not touch the green chip on the side of the maintenance box. Doing so may prevent normal operation and printing.
- Do not remove the film on the top of the box; otherwise ink may leak.

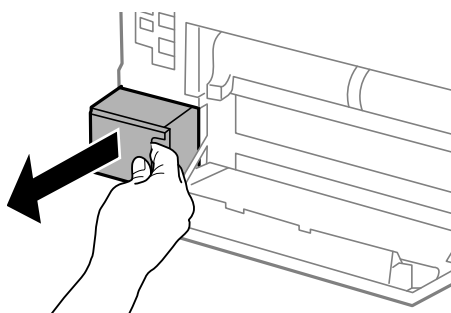
Note:

A transparent bag for the used maintenance box is provided with the new maintenance box.

2. Open rear cover 1.

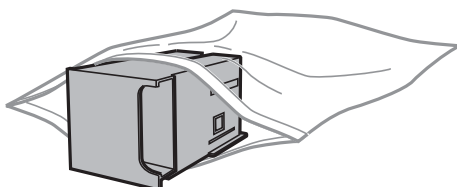


3. Remove the used maintenance box.



Replacing Ink Cartridges and Other Consumables

- Put the used maintenance box in the transparent bag that came with the new maintenance box and seal the bag shut.



! *Important:*

- Dispose the used maintenance box without removing the film.*
- Do not tilt the used maintenance box until after it is sealed in the plastic bag; otherwise ink may leak.*

- Insert the new maintenance box all the way into the printer.
- Close rear cover 1.

Related Information

- ➔ [“Maintenance Box Code” on page 59](#)
- ➔ [“Maintenance Box Handling Precautions” on page 59](#)

Maintenance Rollers Codes

Epson recommends the use of genuine Epson maintenance rollers.

The following are the codes.

Maintenance rollers of paper cassette 1: S990011

Maintenance rollers of paper cassette 2 to 4: S990021

Replacing Maintenance Rollers in Paper Cassette 1

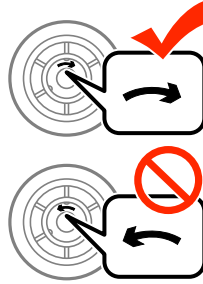
There are two places for replacing the maintenance rollers: on the back of the printer (two rollers) and on the paper cassette (one roller).

Replacing Ink Cartridges and Other Consumables


1. Remove the new maintenance rollers from their package.

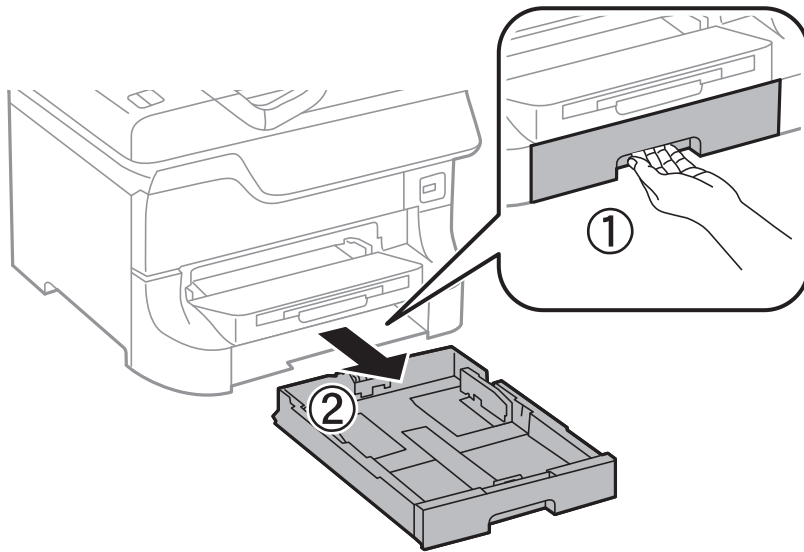
! Important:

- ❑ *The maintenance rollers for the paper cassette 1 and paper cassette 2 to 4 are different. Check the direction of the arrow at the center of the maintenance rollers, and make sure the maintenance rollers are the ones for paper cassette 1. If you attach the wrong rollers, the printer may not feed the paper.*

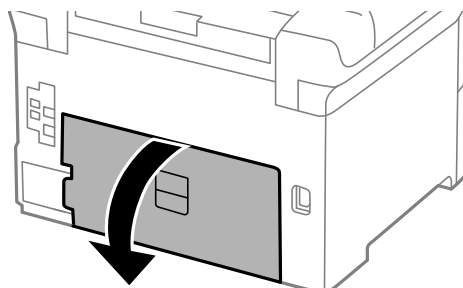


- ❑ *Be careful not to stain the surface of the maintenance rollers. If dust collects on the surface of the maintenance rollers, clean the rollers by using a soft and dry cloth.*

2. Turn off the printer by pressing the  button, and then unplug the power cord.
3. Pull out paper cassette 1.

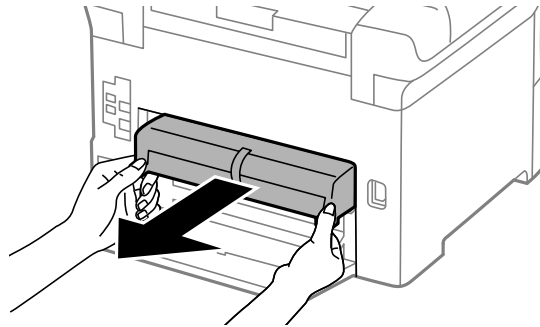


4. Turn the printer around, and open rear cover 1.

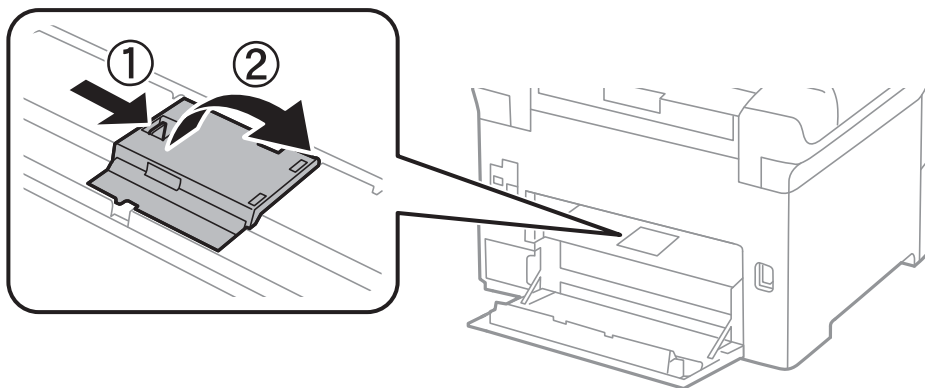


Replacing Ink Cartridges and Other Consumables

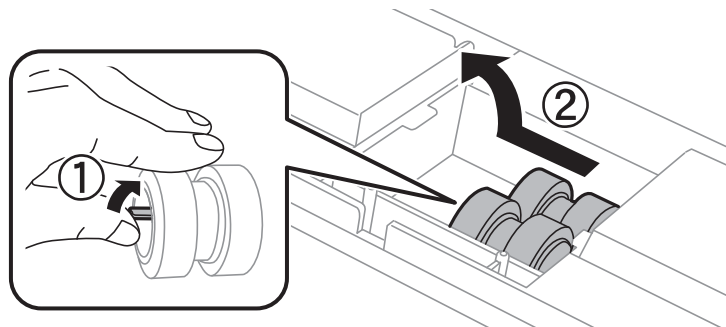
5. Pull out rear cover 2.



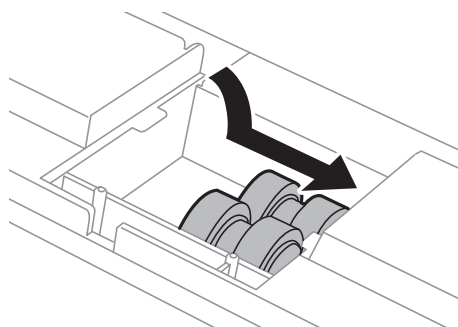
6. Remove the cover inside the back of the printer.



7. Slide out the two used maintenance rollers, and remove them.



8. Insert two new maintenance rollers until they click into place.

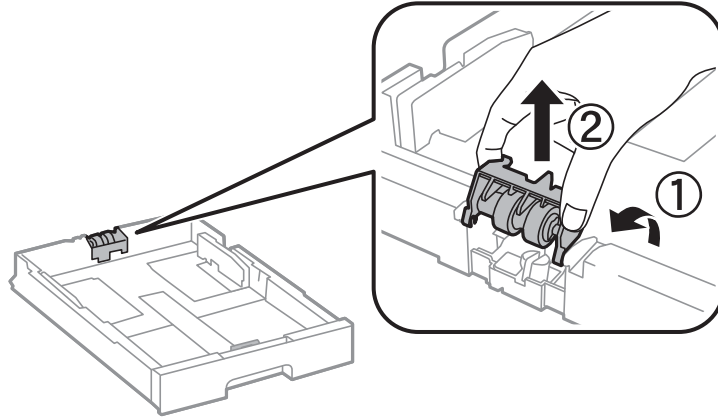


Replacing Ink Cartridges and Other Consumables

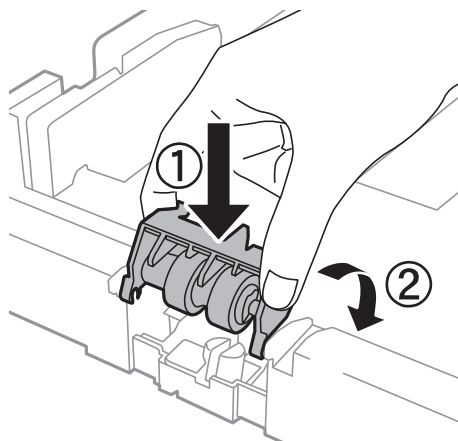
Note:

Insert the maintenance rollers by rolling them so that you can insert them smoothly.

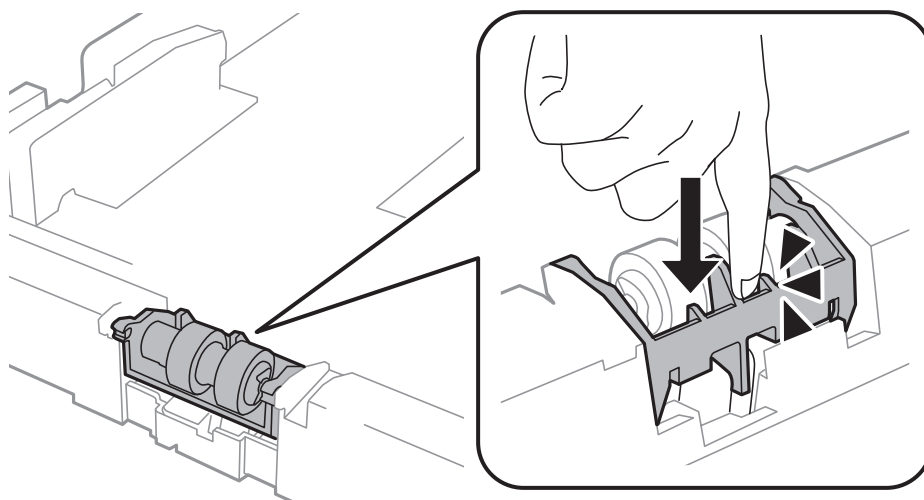
9. Hold up the maintenance roller for the paper cassette by rolling it up, and then remove it.



10. Install the new maintenance roller in the paper cassette.



11. Hold down the maintenance roller firmly.



12. Insert rear cover 2, close rear cover 1, and then insert the paper cassette.

Replacing Ink Cartridges and Other Consumables

- Turn on the printer, select **Menu > Maintenance > Maintenance Roller Information > Reset Maintenance Roller Counter**, and then select the paper cassette in which you replaced the maintenance rollers.

Related Information

- ➔ [“Maintenance Rollers Codes” on page 61](#)

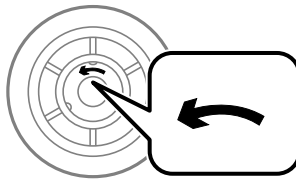
Replacing Maintenance Rollers in Paper Cassette 2 to 4

There are two places for replacing the maintenance rollers: on the back of the optional paper cassette unit (two rollers) and on the paper cassette (one roller).


- Remove the new maintenance rollers from their package.

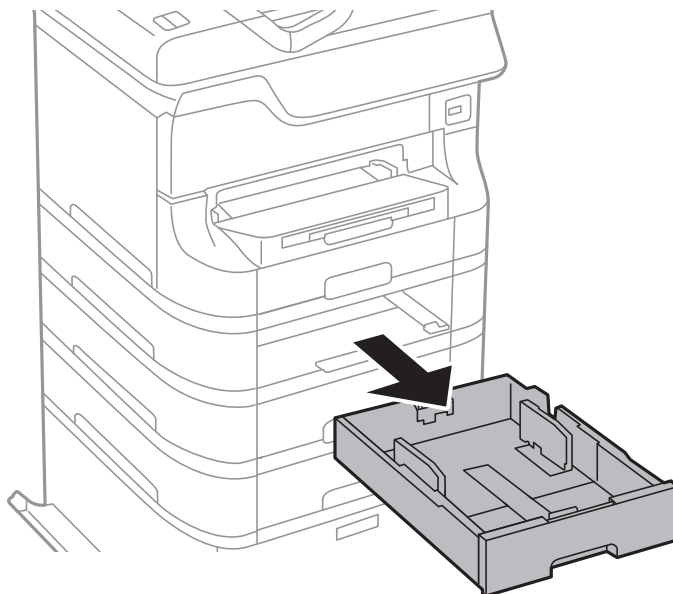
Important:

- ❑ *The maintenance rollers for the paper cassette 1 and paper cassette 2 to 4 are different. Check the direction of arrow on the center of the maintenance rollers, and make sure the maintenance rollers are the ones for paper cassette 2 to 4. If you attach the wrong rollers, the printer may not feed the paper.*



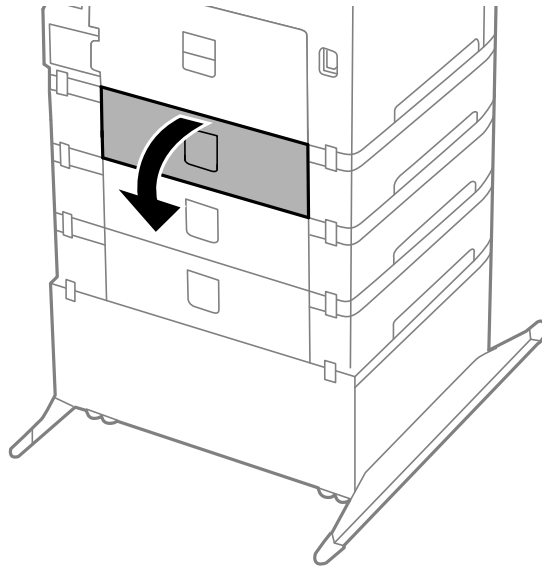
- ❑ *Be careful not to stain the surface of the maintenance rollers. If the dust collects on the surface of the maintenance rollers, clean the rollers by using a soft and dry cloth.*

- Turn off the printer by pressing the  button, and then unplug the power cord.
- Pull out the optional paper cassette of which you want to replace the rollers.

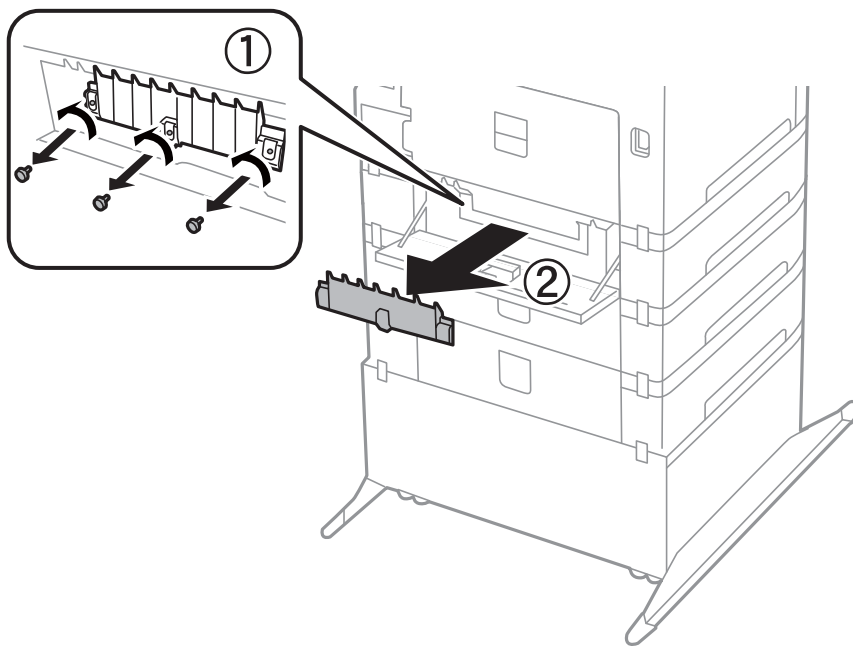


Replacing Ink Cartridges and Other Consumables

4. Turn the printer around, and open the rear cover of the optional paper cassette unit.

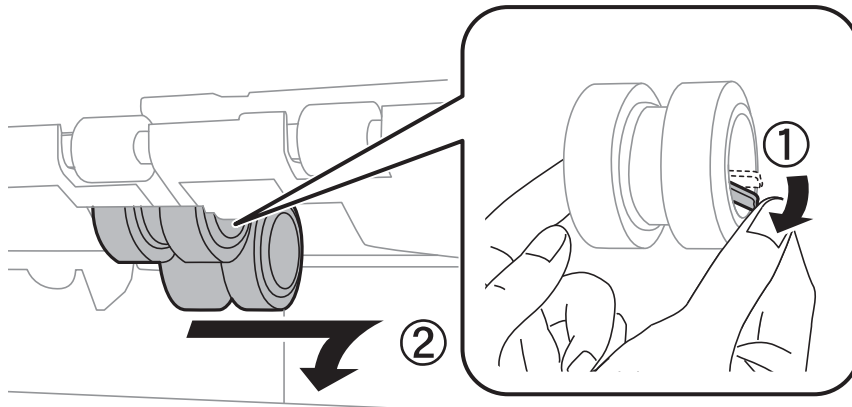


5. Remove the screws by a screwdriver and remove the cover on the rear of inside the printer.

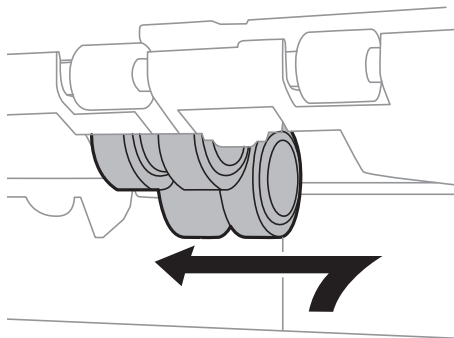


Replacing Ink Cartridges and Other Consumables

- Slide out two used maintenance rollers, and remove both of them.



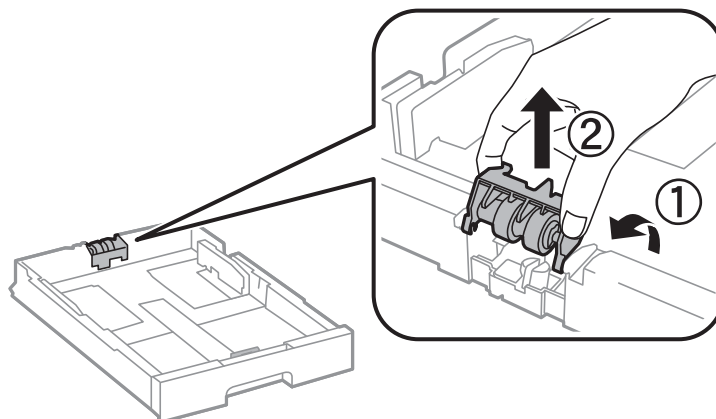
- Insert two new maintenance rollers until they click into place.



Note:

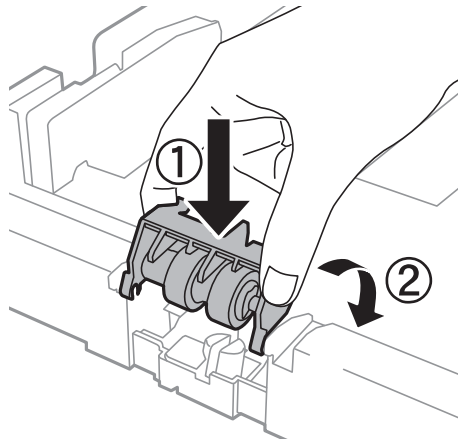
Insert the maintenance rollers by rolling them so that you can insert them smoothly.

- Hold up the maintenance roller for the paper cassette by rolling it up, and then remove it.

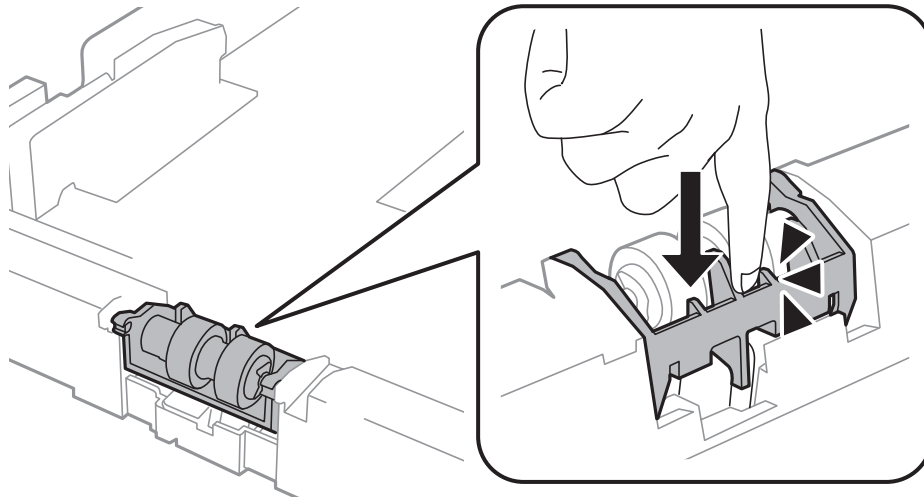


Replacing Ink Cartridges and Other Consumables

9. Install the new maintenance roller in the paper cassette.



10. Hold down the maintenance roller firmly.



11. Fasten the screws to attach the cover back on, and close the rear cover.
12. Insert the paper cassette.
13. Turn on the printer, select **Menu > Maintenance > Maintenance Roller Information > Reset Maintenance Roller Counter**, and then select the paper cassette in which you replaced the maintenance rollers.

Related Information

➔ [“Maintenance Rollers Codes” on page 61](#)

Temporarily Printing with Black Ink

When color ink is expended and black ink still remains, you can use the following settings to continue printing for a short time using only black ink.

- Type of paper: plain papers, Envelope
- Color: **Grayscale**

Replacing Ink Cartridges and Other Consumables

- ❑ EPSON Status Monitor 3: Enabled (for Windows only)

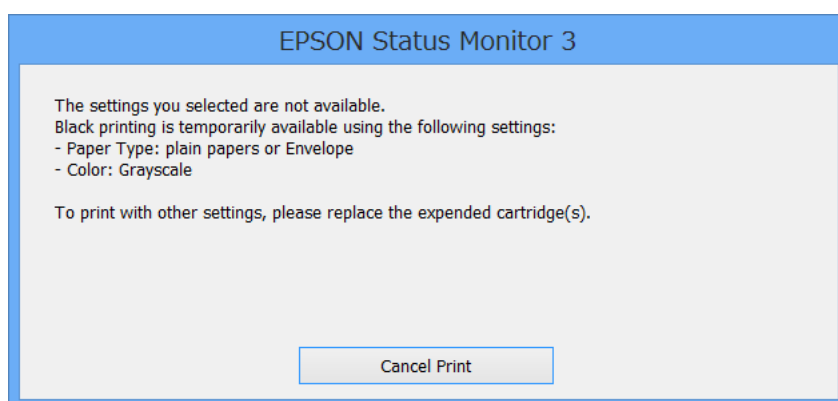
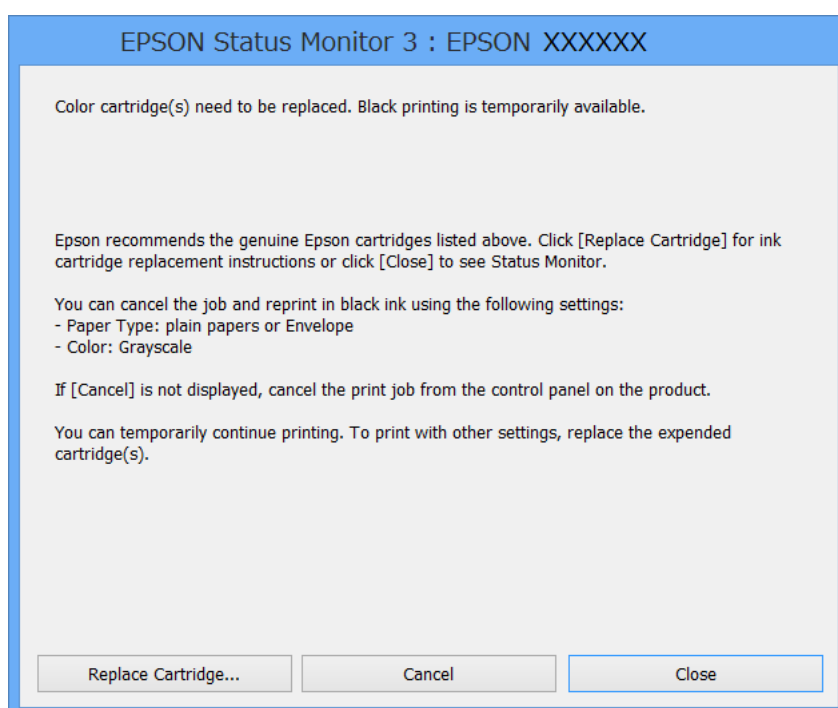
Because this feature is only available for approximately five days, replace the expended ink cartridge as soon as possible.

Note:

- ❑ *If EPSON Status Monitor 3 is disabled, access the printer driver, click **Extended Settings** on the **Maintenance** tab, and then select **Enable EPSON Status Monitor 3**.*
- ❑ *The available period varies depending on the usage conditions.*

Temporarily Printing with Black Ink - Windows

1. When the following window is displayed, cancel printing.



Note:

If you cannot cancel printing from the computer, cancel using the printer's control panel.

2. Access the printer driver window.

Replacing Ink Cartridges and Other Consumables

3. Select **plain papers** or **Envelope** as the **Paper Type** setting on the **Main** tab.
4. Select **Grayscale**.
5. Set the other items on the **Main** and **More Options** tabs as necessary, and then click **OK**.
6. Click **Print**.
7. Click **Print in Black** in the window displayed.


Related Information

- ➔ [“Loading Paper in the Paper Cassette” on page 28](#)
- ➔ [“Loading Paper in the Rear Paper Feed” on page 30](#)
- ➔ [“Loading Paper in the Front Paper Feed Slot” on page 32](#)
- ➔ [“Printing Basics - Windows” on page 35](#)

Temporarily Printing with Black Ink - Mac OS X


Note:

To use this feature through a network, connect with **Bonjour**.

1. Click the printer icon in the **Dock**.
2. Cancel the job.
 - Mac OS X v10.8.x to Mac OS X v10.9.x
Click  next to the progress meter.
 - Mac OS X v10.5.8 to v10.7.x
Click **Delete**.

Note:

If you cannot cancel printing from the computer, cancel using the printer's control panel.

3. Select **System Preferences** from the  menu > **Printers & Scanners** (or **Print & Scan, Print & Fax**), and then select the printer. Click **Options & Supplies** > **Options** (or **Driver**).
4. Select **On** as the **Permit temporary black printing** setting.
5. Access the printer driver window.
6. Select **Print Settings** from the pop-up menu.
7. Select **plain papers** or **Envelope** as the **Media Type** setting.
8. Select **Grayscale**.
9. Set the other items as necessary.
10. Click **Print**.

Replacing Ink Cartridges and Other Consumables

Related Information

- ➔ “Loading Paper in the Paper Cassette” on page 28
- ➔ “Loading Paper in the Rear Paper Feed” on page 30
- ➔ “Loading Paper in the Front Paper Feed Slot” on page 32
- ➔ “Printing Basics - Mac OS X” on page 36

Conserving Black Ink when the Black Ink Is Low (for Windows Only)

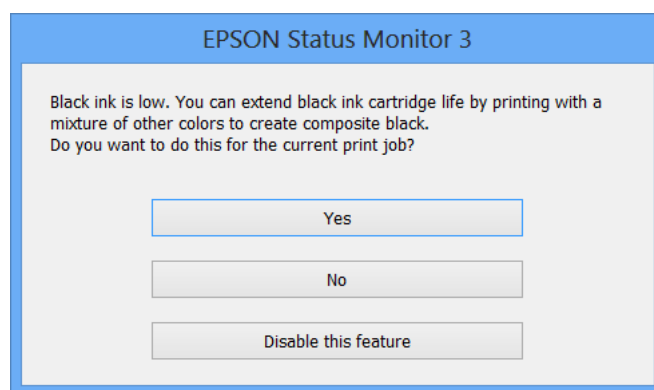
When black ink is running low and there is enough color ink remaining, you can use a mixture of color inks to create black. You can continue printing while preparing a replacement black ink cartridge.

This feature is only available when you select the following settings in the printer driver.

- Paper Type: **plain papers**
- Quality: **Standard**
- EPSON Status Monitor 3: Enabled

Note:

- If **EPSON Status Monitor 3** is disabled, access the printer driver, click **Extended Settings** on the **Maintenance** tab, and then select **Enable EPSON Status Monitor 3**.
- Composite black looks slightly different from pure black. In addition, the print speed is reduced.
- To maintain the quality of the print head, black ink is also consumed.



Options	Description
Yes	Select to use a mixture of color inks to create black. This window is displayed the next time you print a similar job.
No	Select to continue using the remaining black ink. This window is displayed the next time you print a similar job.
Disable this feature	Select to continue using the remaining black ink. This window is not displayed until you replace the black ink cartridge and it runs low again.

Improving Print Quality


Checking and Cleaning the Print Head

If the nozzles are clogged, the printouts become faint, there is visible banding, or unexpected colors appear. When print quality has declined, use the nozzle check feature and check if the nozzles are clogged. If the nozzles are clogged, clean the print head. You can perform a nozzle check and head cleaning from the control panel or the computer.

! **Important:**

Do not open the front cover or turn off the printer during head cleaning. If the head cleaning is incomplete, you may not be able to print.

Note:

- Because print head cleaning uses some ink, clean the print head only if quality declines.
- When ink is low you may not be able to clean the print head. Replace the appropriate ink cartridge first.
- If print quality has not improved after repeating nozzle check and head cleaning about four times, wait for at least six hours without printing, and then run the nozzle check again and repeat the head cleaning if necessary. If the printer operates printing while waiting, extend the waiting time. We recommend to turn off the printer. If print quality has still not improved, contact Epson support.
- To prevent the print head from drying out, always turn the printer off by pressing the  button.
- To keep the print head operating at its best, we recommend printing a few pages on a regular basis.

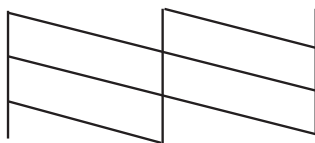
Checking and Cleaning the Print Head - Control Panel

1. Make sure that A4-size plain paper is loaded in the printer.
2. Enter **Menu** from the home screen.
3. Select **Maintenance > Print Head Nozzle Check**.
4. Follow the on-screen instructions to print the nozzle check pattern.

Note:

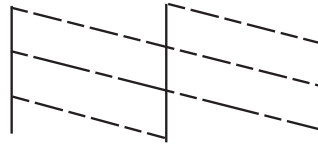
The test pattern may vary by model.

5. Compare the printed check pattern with the sample shown below.
 - All lines are printed: The print head nozzles are not clogged. Select **Finish**.



Improving Print Quality

- ❑ There are broken lines or missing segments: The print head nozzles may be clogged. Go to the next step.



6. Select **Clean the print head**.
7. When cleaning is finished, select **Print Nozzle Check Pattern** to print the nozzle check pattern again. Repeat cleaning and printing the pattern until all lines are printed completely.



Checking and Cleaning the Print Head - Windows

1. Make sure that A4-size plain paper is loaded in the printer.
2. Access the printer driver window.
3. Click **Nozzle Check** on the **Maintenance** tab.
4. Follow the on-screen instructions.

Related Information

- ➔ [“Windows Printer Driver” on page 76](#)

Checking and Cleaning the Print Head - Mac OS X

1. Make sure that A4-size plain paper is loaded in the printer.
2. Start the printer driver utility:
 - ❑ Mac OS X v10.6.x to v10.9.x
Select **System Preferences** from the  menu > **Printers & Scanners** (or **Print & Scan**, **Print & Fax**), and then select the printer. Click **Options & Supplies** > **Utility** > **Open Printer Utility**.
 - ❑ Mac OS X v10.5.8
Select **System Preferences** from the  menu > **Print & Fax**, and then select the printer. Click **Open Print Queue** > **Utility**.
3. Click **Nozzle Check**.
4. Follow the on-screen instructions.

Aligning the Print Head

If you notice a misalignment of vertical lines or blurred images, align the print head. You can perform print head alignment from the control panel or the computer.

Improving Print Quality

Aligning the Print Head - Control Panel

1. Make sure that A4-size plain paper is loaded in the printer.
2. Enter **Menu** from the home screen.
3. Select **Maintenance > Print Head Alignment**.
4. Select **Vertical Alignment** or **Horizontal Alignment**, and then follow the on-screen instructions to print an alignment pattern.

Vertical Alignment: Select this if your printouts look blurry or vertical ruled lines appear misaligned.

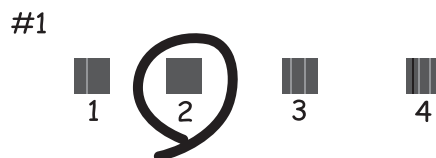
Horizontal Alignment: Select this if you see horizontal banding at regular intervals.

Note:

The test pattern may vary by model.

5. Follow the on-screen instructions to align the print head.

Vertical Alignment: Find and enter the number for the most solid pattern in each group.



Horizontal Alignment: Find and enter the number for the least separated and overlapping pattern.



Aligning the Print Head - Windows



1. Make sure that A4-size plain paper is loaded in the printer.
2. Access the printer driver window.
3. Click **Print Head Alignment** on the **Maintenance** tab.
4. Follow the on-screen instructions.

Improving Print Quality

Related Information

➔ [“Windows Printer Driver” on page 76](#)

Aligning the Print Head - Mac OS X

1. Make sure that A4-size plain paper is loaded in the printer.
2. Start the printer driver utility:
 - Mac OS X v10.6.x to v10.9.x
 Select **System Preferences** from the  menu > **Printers & Scanners** (or **Print & Scan, Print & Fax**), and then select the printer. Click **Options & Supplies > Utility > Open Printer Utility**.
 - Mac OS X v10.5.8
 Select **System Preferences** from the  menu > **Print & Fax**, and then select the printer. Click **Open Print Queue > Utility**.
3. Click **Print Head Alignment**.
4. Follow the on-screen instructions.

Cleaning the Paper Path

When the printouts are smeared or scuffed or paper does not feed correctly, clean the roller inside.



Important:

Do not use tissue paper to clean the inside of the printer. The print head nozzles may be clogged with lint.

1. Load a sheet of paper for cleaning the printer.
 - When the printouts are smeared or scuffed, load A3-size plain paper in the paper source that you want to clean.
 - When paper does not feed correctly from the rear paper feed, load the cleaning sheet that came with the Epson genuine paper in the rear paper feed. If you do not have a cleaning sheet, you can use plain paper instead of the cleaning sheet.
2. Enter **Menu** from the home screen.
3. Select **Maintenance > Paper Guide Cleaning**.
4. Select the paper source, and then follow the on-screen instructions to clean the paper path.

Note:

 - Repeat this procedure until the paper is not smeared with ink. If the printouts are still smeared or scuffed, clean the other paper sources.*
 - When paper does not feed correctly, repeat these steps two or three times.*

Applications and Network Service Information

Epson Connect Service

Using Epson Connect, you can easily print from your smartphone, tablet PC, or laptop, anytime and practically anywhere.

See the Epson Connect portal website for details.

<https://www.epsonconnect.com/>

<http://www.epsonconnect.eu> (Europe only)

Web Config

Web Config is an application that allows you to change the printer settings on a Web browser and it is embedded in the printer. See the *Network Guide* or the *Administrator's Guide* for details.

Note:

To use Web Config, you need the printer's IP address. Select **Menu > Network Status > Wi-Fi/Network Status** from the home screen, and then check the printer's IP address.

Necessary Applications

Windows Printer Driver

The printer driver is an application that controls the printer according to the print commands from other applications. Making settings on the printer driver provides the best printing results. You can also check the status of the printer or keep it in top operating condition using the printer driver utility.

Note:

You can change the language of the printer driver. Select the language you want to use from the **Language** setting on the **Maintenance** tab.

Accessing the printer driver from applications

To make settings that apply only to the application you are using, access from that application.

Select **Print** or **Print Setup** from the **File** menu. Select your printer, and then click **Preferences** or **Properties**.

Note:

Operations differ depending on the application. See the application's help for details.

Accessing the printer driver from the control panel

To make settings that apply to all of the applications, access from the control panel.

Applications and Network Service Information

- Windows 8.1/Windows 8/Windows Server 2012

Select **Desktop > Settings > Control Panel > View devices and printers** in **Hardware and Sound**. Right-click on your printer, or press and hold it and then select **Printing preferences**.

- Windows 7/Windows Server 2008 R2

Click the start button, and select **Control Panel > View devices and printers** in **Hardware and Sound**. Right-click on your printer and select **Printing preferences**.

- Windows Vista/Windows Server 2008

Click the start button, and select **Control Panel > Printers** in **Hardware and Sound**. Right-click on your printer and select **Select printing preferences**.

- Windows XP/Windows Server 2003 R2/Windows Server 2003

Click the start button, and select **Control Panel > Printers and Other Hardware > Printers and Faxes**. Right-click on your printer and select **Printing preferences**.

Starting the utility

Access the printer driver window. Click the **Maintenance** tab.

Restricting Available Settings for the Windows Printer Driver

Administrators can restrict the following printer driver settings for each user to prevent unintended changes of the settings.

- Anti-Copy Pattern
- Watermark
- Header/Footer
- Color
- 2-Sided Printing
- Multi-Page

Note:

Log on to your computer as an administrator.

1. Open the **Optional Settings** tab in printer properties.

- Windows 8.1/Windows 8/Windows Server 2012

Select **Desktop > Settings > Control Panel > View devices and printers** in **Hardware and Sound**. Right-click on your printer, or press and hold it and then select **Printer properties**. Click the **Optional Settings** tab.

- Windows 7/Windows Server 2008 R2

Click the start button, and select **Control Panel > View devices and printers** in **Hardware and Sound**. Right-click on your printer, and then select **Printer properties**. Click the **Optional Settings** tab.

- Windows Vista/Windows Server 2008

Click the start button, and select **Control Panel > Printers** in **Hardware and Sound**. Right-click on your printer, and then select **Properties**. Click the **Optional Settings** tab.

- Windows XP/Windows Server 2003 R2/Windows Server 2003

Click the start button, and select **Control Panel > Printers and Other Hardware > Printers and Faxes**. Right-click on your printer, and then select **Properties**. Click the **Optional Settings** tab.

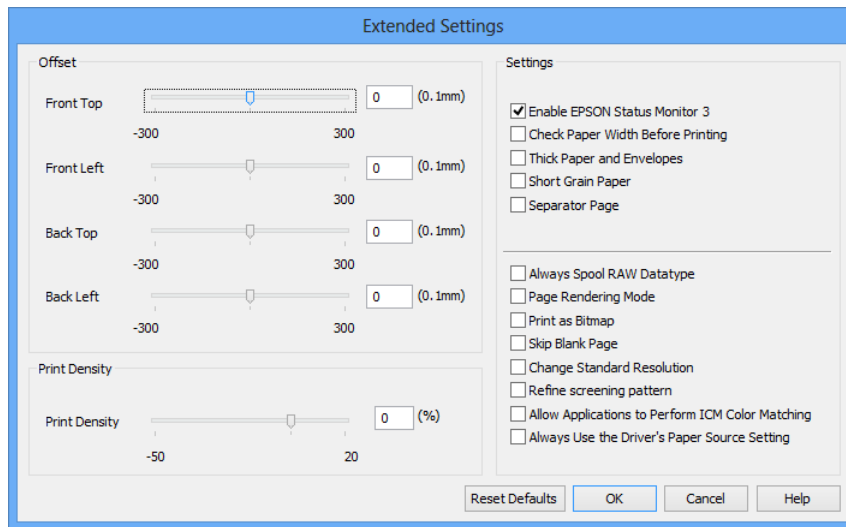
2. Click **Driver Settings**.

Applications and Network Service Information

3. Select the feature that you want to restrict.
See the online help for explanations of the setting items.
4. Click **OK**.

Making Operation Settings for the Windows Printer Driver

You can make various settings such as skipping blank pages, checking the paper width, and fine tuning the printing position.



1. Access the printer driver window.
2. Click **Extended Settings** on the **Maintenance** tab.
3. Make the appropriate settings, and then click **OK**.
See the online help for explanations of the setting items.

Related Information

➔ [“Windows Printer Driver” on page 76](#)

Mac OS X Printer Driver

The printer driver is an application that controls the printer according to the print commands from other applications. Making settings on the printer driver provides the best printing results. You can also check the status of the printer or keep it in top operating condition using the printer driver utility.

Accessing the printer driver from applications

Select **Print** from the **File** menu. If necessary, click **Show Details** (or ▼) to expand the print window.

Note:

Operations differ depending on the application. See the application's help for details.

Applications and Network Service Information

Starting the utility

- ❑ Mac OS X v10.6.x to v10.9.x

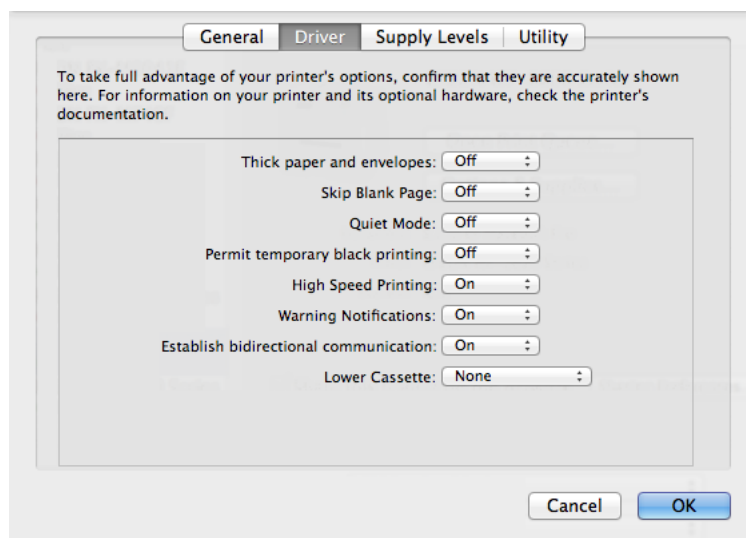
Select **System Preferences** from the  menu > **Printers & Scanners** (or **Print & Scan**, **Print & Fax**), and then select the printer. Click **Options & Supplies** > **Utility** > **Open Printer Utility**.


- ❑ Mac OS X v10.5.8

Select **System Preferences** from the  menu > **Print & Fax**, and then select the printer. Click **Open Print Queue** > **Utility**.

Making Operation Settings for the Mac OS X Printer Driver

You can make various settings such as skipping blank pages and enabling/disabling high speed printing.



1. Select **System Preferences** from the  menu > **Printers & Scanners** (or **Print & Scan**, **Print & Fax**), and then select the printer. Click **Options & Supplies** > **Options** (or **Driver**).
2. Make the appropriate settings, and then click **OK**.
 - ❑ **Thick paper and envelopes:** Prevents the ink from smearing when printing on thick paper. However, the print speed may be slower.
 - ❑ **Skip Blank Page:** Avoids printing blank pages.
 - ❑ **Quiet Mode:** Prints quietly. However, the print speed may be slower.
 - ❑ **Permit temporary black printing:** Prints only with black ink temporarily.
 - ❑ **High Speed Printing:** Prints when the print head moves in both directions. The print speed is faster, but the quality may decline.
 - ❑ **Warning Notifications:** Allows the printer driver to display warning notifications.
 - ❑ **Establish bidirectional communication:** Usually, this should be set to **On**. Select **Off** when acquiring the printer information is impossible because the printer is shared with Windows computers on a network or for any other reason.
 - ❑ **Lower Cassette:** Add the optional paper cassette units to the paper source.

Note:

The availability of these settings varies by model.

Applications and Network Service Information

Related Information

➔ [“Temporarily Printing with Black Ink” on page 68](#)

E-Web Print (for Windows Only)

E-Web Print is an application that allows you to print Web pages with various layouts.

Note:

Windows Server operating systems are not supported.

Starting

When you install E-Web Print, it is displayed in your browser. Click **Print** or **Clip**.

EPSON Software Updater

EPSON Software Updater is an application that checks for new or updated software on the internet and installs it. You can also update the printer's firmware and manual.

Note:

Windows Server operating systems are not supported.

Starting on Windows

- Windows 8.1/Windows 8

Enter the application name in the search charm, and then select the displayed icon.

- Windows 7/Windows Vista/Windows XP

Click the start button, and select **All Programs** (or **Programs**) > **Epson Software** > **EPSON Software Updater**.

Starting on Mac OS X

Select **Go** > **Applications** > **Epson Software** > **EPSON Software Updater**.

EpsonNet Config

EpsonNet Config is an application that allows you to set the network interface addresses and protocols. See the *Network Guide* for more details.

Starting on Windows

- Windows 8.1/Windows 8/Windows Server 2012

Enter the application name in the search charm, and then select the displayed icon.

- Except Windows 8.1/Windows 8/Windows Server 2012

Click the start button, and select **All Programs** (or **Programs**) > **EpsonNet** > **EpsonNet Config V4** > **EpsonNet Config**.

Starting on Mac OS X


Select **Go** > **Applications** > **Epson Software** > **EpsonNet** > **EpsonNet Config V4** > **EpsonNet Config**.

Uninstalling Applications

Note:

Log on to your computer as an administrator. Enter the administrator password if the computer prompts you.

Uninstalling Applications - Windows


1. Press the  button to turn off the printer.
2. Quit all running applications.
3. Open **Control Panel**:
 - Windows 8.1/Windows 8/Windows Server 2012
Select **Desktop > Settings > Control Panel**.
 - Except Windows 8.1/Windows 8/Windows Server 2012
Click the start button and select **Control Panel**.
4. Open **Uninstall a program** (or **Add or Remove Programs**):
 - Windows 8.1/Windows 8/Windows 7/Windows Vista/Windows Server 2012/Windows Server 2008 R2/
Windows Server 2008
Select **Uninstall a program** in **Programs**.
 - Windows XP/Windows Server 2003 R2/Windows Server 2003
Click **Add or Remove Programs**.
5. Select the application you want to uninstall.
6. Uninstall the applications:
 - Windows 8.1/Windows 8/Windows 7/Windows Vista/Windows Server 2012/Windows Server 2008 R2/
Windows Server 2008
Click **Uninstall/Change** or **Uninstall**.
 - Windows XP/Windows Server 2003 R2/Windows Server 2003
Click **Change/Remove** or **Remove**.

Note:


If the **User Account Control** window is displayed, click **Continue**.

7. Follow the on-screen instructions.

Uninstalling Applications - Mac OS X

1. Download the Uninstaller using EPSON Software Updater.
Once you have downloaded the Uninstaller, you do not need to download it again each time you uninstall the application.
2. Press the  button to turn off the printer.

Applications and Network Service Information

3. To uninstall the printer driver, select **System Preferences** from the  menu > **Printers & Scanners** (or **Print & Scan, Print & Fax**), and then remove the printer from the enabled printers list.
4. Quit all running applications.
5. Select **Go > Applications > Epson Software > Uninstaller**.
6. Select the application you want to uninstall, and then click **Uninstall**.

**Important:**

The Uninstaller removes all drivers for Epson inkjet printers on the computer. If you use multiple Epson inkjet printers and you only want to delete some drivers, delete all of them first, and then install the necessary printer driver again.

Note:

*If you cannot find the application you want to uninstall in the application list, you cannot uninstall using the Uninstaller. In this situation, select **Go > Applications > Epson Software**, select the application you want to uninstall, and then drag it to the trash icon.*

Related Information

➔ [“EPSON Software Updater” on page 80](#)

Installing Applications

You can install the applications described in this manual by following the instructions below.

Note:

- Log on to your computer as an administrator. Enter the administrator password if the computer prompts you.
- When reinstalling an application, you need to uninstall it first.

1. Quit all running applications.
2. When installing the printer driver, disconnect the printer and the computer temporarily.

Note:

Do not connect the printer and the computer until you are instructed to do so.

3. Install the applications by following the instructions on the website below.

<http://support.epson.net/setupnavi/>

Note:

For Windows, you can also use the software disc that came with the printer.

Related Information

➔ [“Uninstalling Applications” on page 81](#)

Updating Applications and Firmware

You may be able to clear certain problems and improve or add functions by updating the applications and the firmware. Make sure you use the latest version of the applications and firmware.

1. Make sure that the printer and the computer are connected, and the computer is connected to the internet.
2. Start EPSON Software Updater, and update the applications or the firmware.

**Important:**

Do not turn off the computer or the printer while updating.

Note:

If you cannot find the application you want to update in the list, you cannot update using the EPSON Software Updater. Check for the latest versions of the applications from your local Epson website.

<http://www.epson.com>

Related Information

➔ [“EPSON Software Updater” on page 80](#)

Solving Problems

Checking the Printer Status

You can check error messages and the approximate ink levels on the LCD screen or the computer.

Checking Messages on the LCD Screen

If an error message is displayed on the LCD screen, follow the on-screen instructions or the solutions below to solve the problem.

Error Messages	Solutions
Printer Error 0xXX Turn the power off and on again. For details, see your documentation.	Remove any paper or protective material in the printer. If the error message is still displayed, contact your dealer.
Printer Error 0xXX For details, see your documentation.	The printer may be damaged. Contact Epson or an authorised Epson service provider to request repairs. However, non-printing features are available.
Too many paper cassette units are installed. Turn the power off and uninstall the extra units. See your documentation for details.	You can install up to three optional paper cassette units. For other optional paper cassette units, uninstall them by following the reverse steps to installation.
Cannot print because XX is out of order. You can print from another paper source.	Turn the power off and on again, and then reinsert the paper cassette. If the error message is still displayed, contact Epson or an authorised Epson service provider to request repairs.
Maintenance rollers on XX are nearing the end of their service life.	The maintenance rollers need to be replaced periodically. Paper is not fed correctly from the paper cassette when it is time for replacement. Prepare new maintenance rollers.
Maintenance rollers on XX are at the end of their service life.	Replace the maintenance rollers. After replacing the rollers, select Menu > Maintenance > Maintenance Roller Information > Reset Maintenance Roller Counter , and then select the paper cassette for which you replaced the maintenance rollers.
You need to replace the following ink cartridge(s).	To ensure you receive premium print quality and to help protect your print head, a variable ink safety reserve remains in the cartridge when your printer indicates it is time to replace the cartridge. Replace the cartridge when a message prompts you to do so.
Invalid IP address and subnet mask. Enter them correctly. See your documentation.	See the <i>Network Guide</i> .
Recovery Mode	The printer has started in recovery mode because the firmware update failed. Follow the steps below to try to update the firmware again. 1. Connect the computer and the printer with a USB cable. (During recovery mode, you cannot update the firmware over a network connection.) 2. Visit your local Epson website for further instructions.

Related Information

- ➔ [“Contacting Epson Support” on page 115](#)
- ➔ [“Installing the Optional Units” on page 104](#)
- ➔ [“Replacing Maintenance Rollers in Paper Cassette 1” on page 61](#)
- ➔ [“Replacing Maintenance Rollers in Paper Cassette 2 to 4” on page 65](#)
- ➔ [“Replacing Ink Cartridges” on page 57](#)
- ➔ [“Updating Applications and Firmware” on page 83](#)

Checking the Printer Status - Windows

1. Access the printer driver window.
2. Click **EPSON Status Monitor 3** on the **Maintenance** tab, and then click **Details**.



Note:

*If EPSON Status Monitor 3 is disabled, click **Extended Settings** on the **Maintenance** tab, and then select **Enable EPSON Status Monitor 3**.*

Related Information

- ➔ [“Windows Printer Driver” on page 76](#)

Checking Printer Status - Mac OS X

1. Start the printer driver utility:
 - Mac OS X v10.6.x to v10.9.x
Select **System Preferences** from the  menu > **Printers & Scanners** (or **Print & Scan, Print & Fax**), and then select the printer. Click **Options & Supplies** > **Utility** > **Open Printer Utility**.
 - Mac OS X v10.5.8
Select **System Preferences** from the  menu > **Print & Fax**, and then select the printer. Click **Open Print Queue** > **Utility**.
2. Click **EPSON Status Monitor**.

Removing Jammed Paper

Follow the on-screen instructions on the printer's control panel to locate and remove the jammed paper including any torn pieces.

**Caution:**

Never touch the buttons on the control panel while your hand is inside the printer. If the printer starts operating, it could cause an injury. Be careful not to touch the protruding parts to avoid injury.

Solving Problems

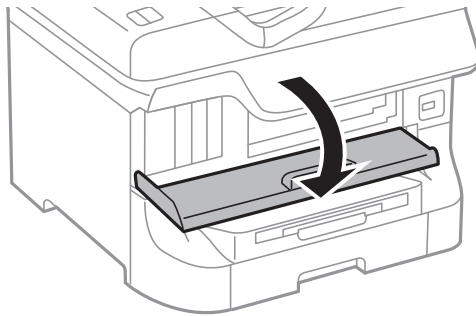


Important:

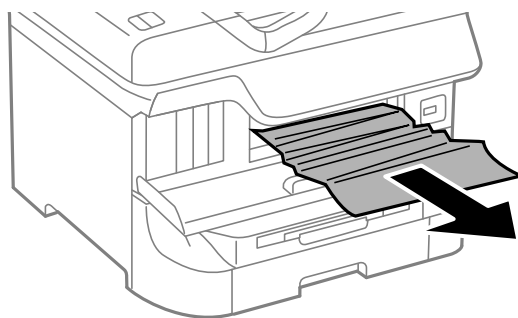
Remove the jammed paper carefully. Removing the paper vigorously may cause damage to the printer.

Removing Jammed Paper from the Front Cover (A)

1. Open the front cover.



2. Remove the jammed paper.



Important:

Do not touch the parts inside the printer. Doing so may cause a malfunction.

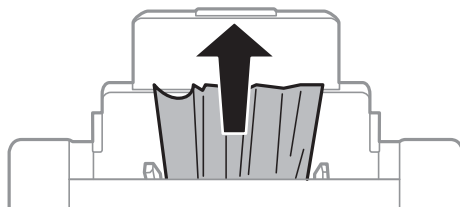
3. Close the front cover.

Note:

If any torn pieces of paper remain, select **Menu > Maintenance > Remove Paper** after clearing the paper jam error. This helps you to remove the remaining pieces of paper.

Removing Jammed Paper from the Rear Paper Feed (B1)

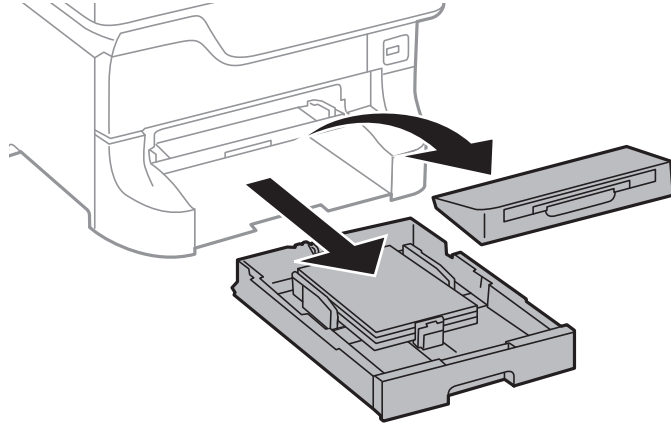
Remove the jammed paper.



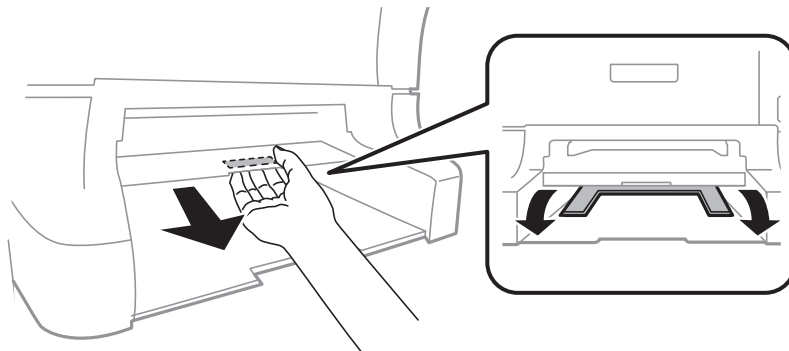
Solving Problems

Removing Jammed Paper from the Front Paper Feed Slot (B2)

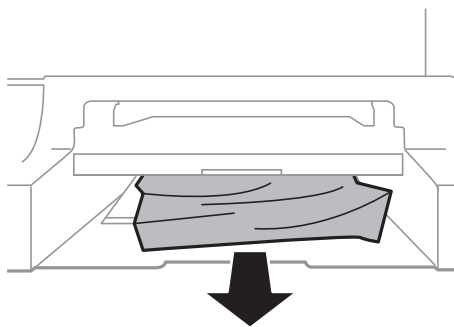
1. Remove the output tray and pull out the paper cassette.



2. Pull the lever.
The cover comes off.

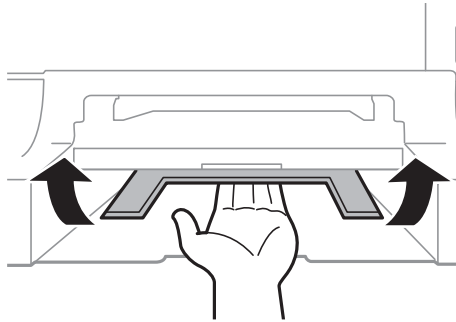


3. Remove the jammed paper.



Solving Problems

4. Reattach the cover.



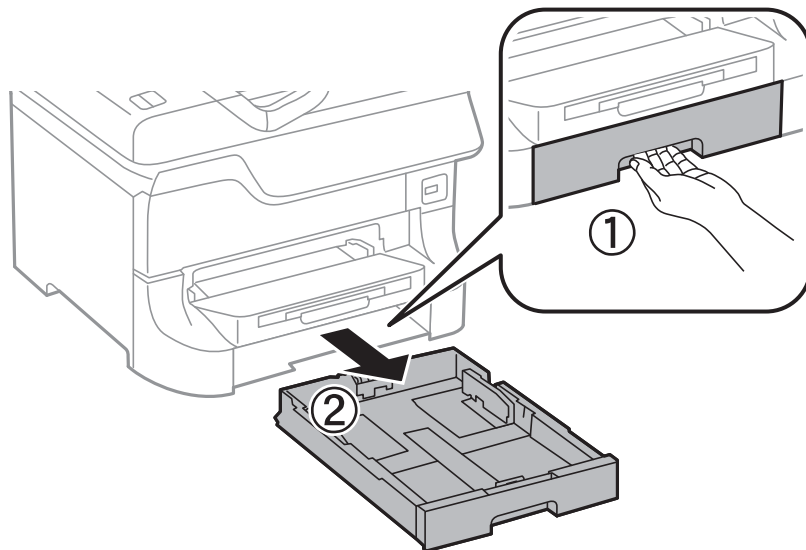
5. Insert the paper cassette, and then set the output tray.

Removing Jammed Paper from the Paper Cassette (C1/C2/C3/C4)

Note:

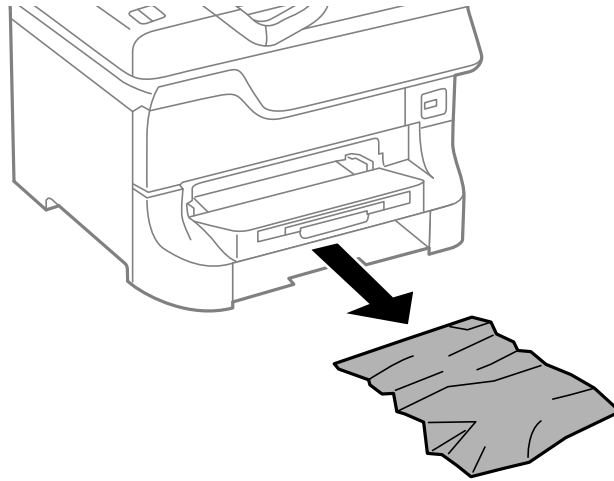
If the optional cabinet and the paper cassette units are installed, do not pull out two or more paper cassettes at the same time.

1. Pull out the paper cassette.



Solving Problems

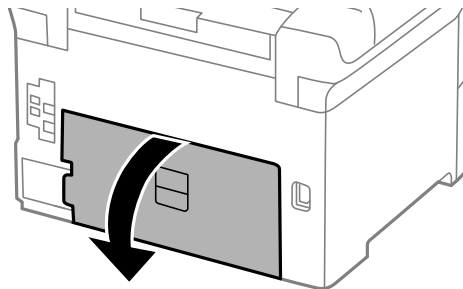
2. Remove the jammed paper.



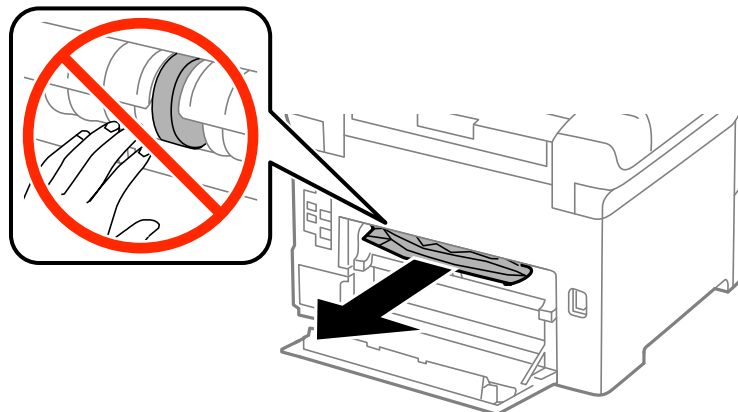
3. Insert the paper cassette.

Removing Jammed Paper from Rear Cover 1 (D1) and Rear Cover 2 (D2)

1. Open rear cover 1.



2. Remove the jammed paper.

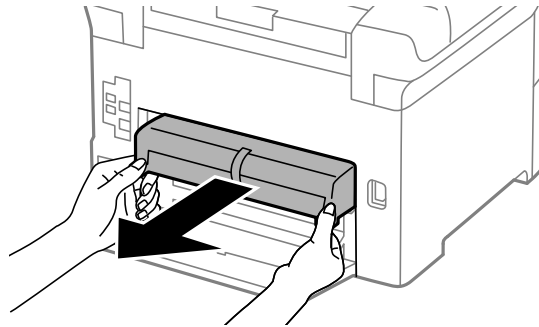


Note:

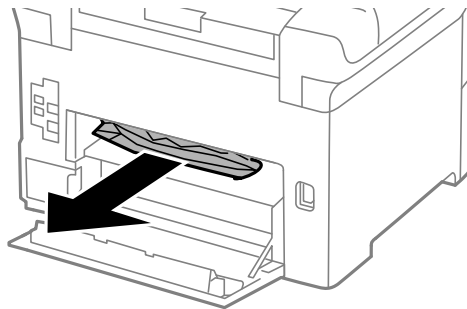
If you cannot remove the paper, pull rear cover 2 a little.

Solving Problems

3. Pull out rear cover 2.



4. Remove the jammed paper.

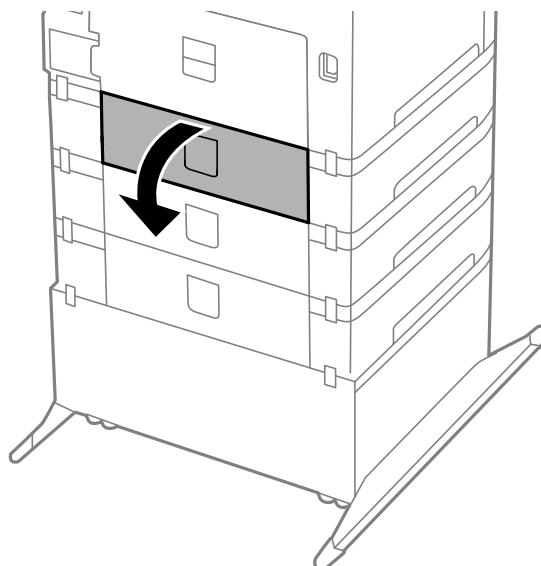


5. Insert rear cover 2.

6. Close rear cover 1.

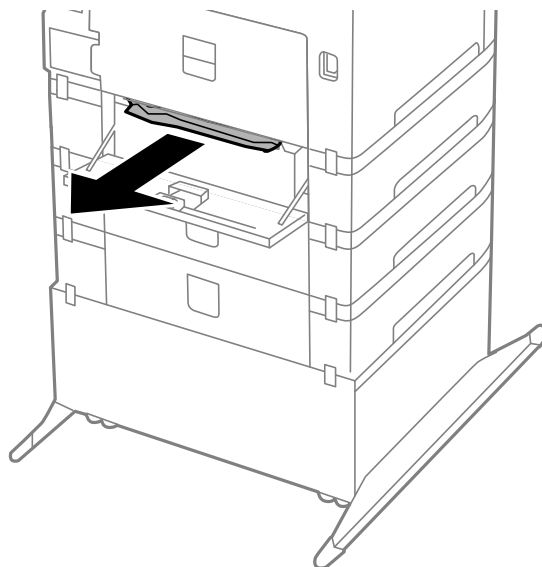
Removing Jammed Paper from the Rear Cover (E) of the Optional Paper Cassette Unit

1. Open the rear cover.



Solving Problems

2. Remove the jammed paper.



3. Close the rear cover.

Paper Does Not Feed Correctly

Check the following if the paper jams, paper feeds at a slant, several sheets of paper feed at a time, no paper feeds, or paper is ejected.

- Place the printer on a flat surface and operate in the recommended environmental conditions.
- Use paper supported by this printer.
- Follow the paper handling precautions.
- Load paper in the correct direction, and slide the edge guides against the edges of the paper.
- Do not load more than the maximum number of sheets specified for the paper. For plain paper, do not load above the line just under the ▼ symbol inside the edge guide.
- Insert the paper cassette all the way.
- When paper does not feed after replacing the maintenance rollers, the rollers may not have been replaced correctly. Check if they have been replaced correctly.
- If you have added optional paper cassette units, you need to make settings in the printer driver.
- When a no-paper error occurs although paper is loaded in the rear paper feed, load paper again in the center of the rear paper feed.
- When multiple sheets of paper feed at once during manual 2-sided printing, remove any paper which is loaded in the paper source before you reload the paper.
- Load and eject paper without printing to clean the paper path.
- Close the front cover if you opened it during printing. Keeping the front cover open during printing pauses the print job.
- Do not open rear cover 1 of paper cassette 1 or the rear cover of the optional paper cassette unit while printing. This causes a paper jam.

Solving Problems


- The maintenance rollers may be at the end of their service life. Select **Menu > Maintenance > Maintenance Roller Information > Maintenance Roller Status**, and then replace the maintenance rollers as necessary.
- Make sure the paper size and paper type settings of the paper source are correct.

Related Information



- ➔ [“Environmental Specifications” on page 101](#)
- ➔ [“Available Paper and Capacities” on page 24](#)
- ➔ [“Paper Handling Precautions” on page 24](#)
- ➔ [“Loading Paper in the Paper Cassette” on page 28](#)
- ➔ [“Loading Paper in the Rear Paper Feed” on page 30](#)
- ➔ [“Loading Paper in the Front Paper Feed Slot” on page 32](#)
- ➔ [“Replacing Maintenance Rollers in Paper Cassette 1” on page 61](#)
- ➔ [“Replacing Maintenance Rollers in Paper Cassette 2 to 4” on page 65](#)
- ➔ [“Setting the Optional Paper Cassette Unit in the Printer Driver” on page 114](#)
- ➔ [“Cleaning the Paper Path” on page 75](#)
- ➔ [“Setting the Paper Size and Paper Type for Each Paper Source” on page 33](#)

Power and Control Panel Problems

Power Does Not Turn On

- Hold down the  button for a little longer.
- Make sure the power cord is securely plugged in.

Power Does Not Turn Off

Hold down the  button for a little longer. If you still cannot turn off the printer, unplug the power cord. To prevent the print head from drying out, turn the printer back on and turn it off by pressing the  button.

LCD Screen Gets Dark

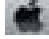
The printer is in sleep mode. Press any button on the control panel to return the LCD screen to its former state.

Printer Does Not Print

Check the following if the printer does not operate or prints nothing.

- Connect the interface cable securely to the printer and the computer.
- If you are using a USB hub, try to connect the printer directly to the computer.
- If you are using the printer over a network, make sure the printer is connected to the network. See the *Network Guide* for details.

Solving Problems

- If you are printing a large image, the computer may not have enough memory. Print the image at a lower resolution or a smaller size.
- In Windows, click **Print Queue** on the printer driver's **Maintenance** tab, and then check the following.
 - Check if there are any paused print jobs.
Cancel printing if necessary.
 - Make sure the printer is not offline or pending.
If the printer is offline or pending, clear the offline or pending setting from the **Printer** menu.
 - Make sure the printer is selected as the default printer from the **Printer** menu (there should be a check mark on the menu item).
If the printer is not selected as the default printer, set it as the default printer.
- In Mac OS X, make sure the printer status is not **Pause**.
Select **System Preferences** from the  menu > **Printers & Scanners** (or **Print & Scan, Print & Fax**), and then double-click the printer. If the printer is paused, click **Resume** (or **Resume Printer**).
- Perform a nozzle check, and then clean the print head if any of the print head nozzles are clogged.

Related Information

- ➔ [“Canceling Printing” on page 54](#)
- ➔ [“Checking and Cleaning the Print Head” on page 72](#)


Printout Problems

Print Quality Is Poor

Check the following if the print quality is poor due to blurry prints, banding, missing colors, faded colors, misalignment, and mosaic-like patterns in the prints.

- Do not print on paper that is damp, damaged, or too old.
- If the paper is curled or the envelope is puffed up, flatten it.
- When printing images or photos, print using high-resolution data. Images on websites are often low resolution although they look good enough on the display, and so print quality may decline.
- Select the appropriate paper type setting in the printer driver for the type of paper loaded in the printer.
- Print using a high quality setting in the printer driver.
- If you have selected **Standard-Vivid** as the quality setting on the Windows printer driver, change to **Standard**. If you have selected **Normal-Vivid** as the quality setting on the Mac OS X printer driver, change to **Normal**.
- When using certain color adjustment features, the colors may change or the tone may be unnatural. Try disabling the features.
 - Windows
Select **Custom** as the **Color Correction** setting on the printer driver's **More Options** tab. Click **Advanced**, and then select anything other than **PhotoEnhance** as the **Color Management** setting.
 - Mac OS X
Select **Color Matching** from the printer driver's pop-up menu, and then select **EPSON Color Controls**. Select **Color Options** from the pop-up menu, and then select anything other than **PhotoEnhance**.

Solving Problems

- Disable the bidirectional (or high speed) setting. When this setting is enabled, the print head prints while moving in both directions, and vertical lines may be misaligned. If you disable this feature, printing may slow down.
 - Windows
 - Clear **High Speed** on the printer driver's **More Options** tab.
 - Mac OS X
 - Select **System Preferences** from the  menu > **Printers & Scanners** (or **Print & Scan, Print & Fax**), and then select the printer. Click **Options & Supplies > Options** (or **Driver**). Select **Off** as the **High Speed Printing** setting.
- Perform a nozzle check, and then clean the print head if any of the print head nozzles are clogged.
- Align the print head.
- Do not stack the paper immediately after printing.
- Dry the printouts completely before filing or displaying them. When drying the printouts, avoid direct sun light, do not use a dryer, and do not touch the printed side of paper.
- Try to use genuine Epson ink cartridges. This product is designed to adjust colors based on the use of genuine Epson ink cartridges. The use of non-genuine ink cartridges may cause print quality to decline.
- Epson recommends using the ink cartridge before the date printed on the package.
- For best results, use up ink cartridge within six months of opening the package.
- When printing images or photos, Epson recommends using genuine Epson paper rather than plain paper. Print on the printable side of the genuine Epson paper.

Related Information

- ➔ [“Paper Handling Precautions” on page 24](#)
- ➔ [“List of Paper Types” on page 27](#)
- ➔ [“Checking and Cleaning the Print Head” on page 72](#)
- ➔ [“Aligning the Print Head” on page 73](#)
- ➔ [“Available Paper and Capacities” on page 24](#)

The Position, Size, or Margins of the Printout Are Incorrect


- Load paper in the correct direction, and slide the edge guides against the edges of the paper.
- Select the appropriate paper size setting on the control panel or in the printer driver.
- Adjust the margin setting in the application so that it falls within the printable area.

Related Information

- ➔ [“Loading Paper in the Paper Cassette” on page 28](#)
- ➔ [“Loading Paper in the Rear Paper Feed” on page 30](#)
- ➔ [“Loading Paper in the Front Paper Feed Slot” on page 32](#)
- ➔ [“Printable Area” on page 98](#)

Paper Is Smearred or Scuffed

Check the following if the paper is smeared or scuffed when printing.

- Clean the paper path.
- Load paper in the correct direction.
- When performing manual 2-sided printing, make sure that the ink is completely dry before reloading the paper.
- Enable the reduce smear setting for thick paper. If you enable this feature, print quality may decline or the printing may slow down. Therefore, this feature should normally be disabled.
 - Control panel
Select **Menu > Maintenance** from the home screen, and then enable **Thick Paper**.
 - Windows
Click **Extended Settings** on the printer driver's **Maintenance** tab, and then select **Thick Paper and Envelopes**.
 - Mac OS X
Select **System Preferences** from the  menu > **Printers & Scanners** (or **Print & Scan, Print & Fax**), and then select the printer. Click **Options & Supplies > Options** (or **Driver**). Select **On** as the **Thick paper and envelopes** setting.
- For Windows, if the paper is still smeared after selecting the **Thick Paper and Envelopes** setting, select **Short Grain Paper** in the **Extended Settings** window of the printer driver.
- When printing high-density data such as images or graphs using automatic 2-sided printing, lower the print density setting and choose a longer drying time.
 - Windows
Click **Print Density** on the printer driver's **Main** tab, and then adjust the **Increase Ink Drying Time** slider.
 - Mac OS X
Click the arrow next to **Adjustments** in the printer driver's **Two-sided Printing Settings** menu, and then adjust the **Increased Ink Drying Time** slider.

Related Information

- ➔ [“Cleaning the Paper Path” on page 75](#)
- ➔ [“Loading Paper in the Paper Cassette” on page 28](#)
- ➔ [“Loading Paper in the Rear Paper Feed” on page 30](#)
- ➔ [“Loading Paper in the Front Paper Feed Slot” on page 32](#)
- ➔ [“Print Quality Is Poor” on page 93](#)

Printed Characters Are Incorrect or Garbled

- Connect the interface cable securely to the printer and the computer.
- Cancel any paused print jobs.
- Do not put the computer manually into the **Hibernate** mode or the **Sleep** mode while printing. Pages of garbled text may be printed next time you start the computer.

Related Information

- ➔ [“Canceling Printing” on page 54](#)

The Printed Image Is Inverted

Clear any mirror image settings in the printer driver or the application.

Windows

Clear **Mirror Image** on the printer driver's **More Options** tab.

Mac OS X

Clear **Mirror Image** from the printer driver's **Print Settings** menu.

The Printout Problem Could Not be Cleared

If you have tried all of the solutions and have not solved the problem, try uninstalling and then reinstalling the printer driver.

Related Information

➔ [“Uninstalling Applications” on page 81](#)

➔ [“Installing Applications” on page 82](#)

Printing Is Too Slow

When printing continuously for approximately more than 10 minutes, printing slows down to prevent the printer mechanism from overheating and being damaged. However, you can continue printing. To return the printer to normal printing speed, cancel printing, and leave the printer idle for at least 30 minutes with the power on. The printer does not recover if the power is off.

Close any unnecessary applications.


Lower the quality setting on the printer driver. High quality printing slows down the printing speed.

Disable quiet mode. This feature slows down the printing speed.

Windows

Select **Off** as the **Quiet Mode** setting on the printer driver's **Main** tab.

Mac OS X

Select **System Preferences** from the  menu > **Printers & Scanners** (or **Print & Scan, Print & Fax**), and then select the printer. Click **Options & Supplies** > **Options** (or **Driver**). Select **Off** as the **Quiet Mode** setting.

Other Problems

Slight Electric Shock when Touching the Printer

If many peripherals are connected to the computer, you may feel a slight electric shock when touching the printer. Install a ground wire to the computer that is connected to the printer.


Operation Sounds Are Loud

If operations sounds are too loud, enable quiet mode. However, this may slow down printer operations.

Windows printer driver

Select **On** as the **Quiet Mode** setting on the **Main** tab.

Mac OS X printer driver

Select **System Preferences** from the  menu > **Printers & Scanners** (or **Print & Scan, Print & Fax**), and then select the printer. Click **Options & Supplies** > **Options** (or **Driver**). Select **On** as the **Quiet Mode** setting.

Forgot Your Password

If you forget the administrator's password, contact your dealer.

Related Information

➔ [“Contacting Epson Support” on page 115](#)

Application Is Blocked by a Firewall (for Windows Only)

See the *Network Guide* for details.

Appendix

Technical Specifications

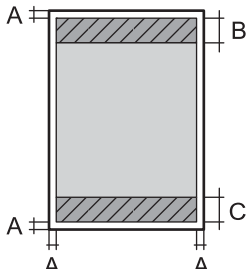
Printer Specifications

Print Head Nozzle Placement		Black ink nozzles: 400 × 2 rows Color ink nozzles: 400 × 2 rows for each color
Weight of Paper	Plain Paper	64 to 90 g/m ² (17 to 24 lb)
	Thick Paper	91 to 256 g/m ² (25 to 68 lb)
	Envelope	Envelope #10, DL, C6: 75 to 90 g/m ² (20 to 24 lb) Envelope C4: 80 to 100 g/m ² (21 to 26 lb)

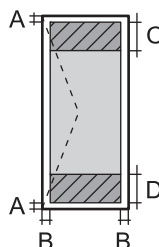
Printable Area

Print quality may decline in the shaded areas due to the printer's mechanism.

Single sheets

	A	3.0 mm (0.12 in.)
	B	46.0 mm (1.81 in.)
	C	51.0 mm (2.01 in.)

Envelopes

	A	3.0 mm (0.12 in.)
	B	5.0 mm (0.20 in.)
	C	18.0 mm (0.71 in.)
	D	46.0 mm (1.81 in.)

Interface Specifications

For Computer	Hi-Speed USB
--------------	--------------

Appendix

Wi-Fi Specifications

Standards	IEEE802.11b/g/n*1
Frequency Range	2.4 GHz
Coordination Modes	Infrastructure, Ad hoc*2, Wi-Fi Direct*3*4
Wireless Securities	WEP (64/128bit), WPA-PSK (AES)*5, WPA2-Enterprise

*1 Complies with either IEEE802.11b/g/n or IEEE802.11b/g depending on location of purchase.

*2 Not supported for IEEE 802.11n.

*3 Not supported for IEEE 802.11b and IEEE 802.11n.

*4 Simple AP mode is compatible with Ethernet connection.

*5 Complies with WPA2 standards with support for WPA/WPA2 Personal.

Ethernet Specifications

Standards	IEEE802.3i (10BASE-T) IEEE802.3u (100BASE-TX) IEEE802.3ab (1000BASE-T)*1 IEEE802.3az (Energy Efficient Ethernet)*2
Communication Mode	Auto, 10Mbps Full duplex, 10Mbps Half duplex, 100Mbps Full duplex, 100Mbps Half duplex
Connector	RJ-45

*1 To prevent risk of radio interference, we recommend using a Category-5e or higher Shielded Twisted Pair cable.

*2 The connected device should comply with IEEE802.3az standards.

Security Protocol

IEEE802.1X*	
IPsec/IP Filtering	
SSL/TLS	HTTPS Server/Client
	IPPS
SNMPv3	

* You need to use a device for connection that complies with IEEE802.1X.

Appendix

Dimensions

Only the printer

Dimensions	<p>Storage</p> <ul style="list-style-type: none"> <input type="checkbox"/> Width: 567 mm (22.3 in.) <input type="checkbox"/> Depth: 570 mm (22.4 in.) <input type="checkbox"/> Height: 378 mm (14.9 in.) <p>Printing</p> <ul style="list-style-type: none"> <input type="checkbox"/> Width: 567 mm (22.3 in.) <input type="checkbox"/> Depth: 902 mm (35.5 in.) <input type="checkbox"/> Height: 562 mm (22.1 in.)
Weight*	Approx. 25.9 kg (57.1 lb)

* Without the ink cartridges and the power cord.

Printers with options

These are the dimensions of printers with three optional paper cassette units and an optional cabinet.

Dimensions	<p>Storage</p> <ul style="list-style-type: none"> <input type="checkbox"/> Width: 615 mm (24.2 in.) <input type="checkbox"/> Depth: 794 mm (31.3 in.) <input type="checkbox"/> Height: 1045 mm (41.1 in.) <p>Printing</p> <ul style="list-style-type: none"> <input type="checkbox"/> Width: 615 mm (24.2 in.) <input type="checkbox"/> Depth: 907 mm (35.7 in.) <input type="checkbox"/> Height: 1230 mm (48.4 in.)
Weight*	Approx. 78.4 kg (172.8 lb)

* Without the ink cartridges and the power cord.

Electrical Specifications

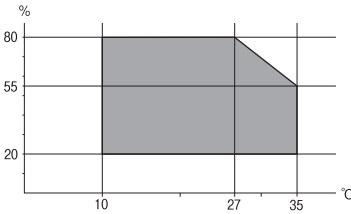
Rated Power Supply Voltage	100 to 240 V
Rated Frequency Range	50 to 60 Hz
Rated Current	1.0 to 0.5 A
Power Consumption (with USB Connection)	<p>Printing: Approx. 37 W (ISO/IEC24712)</p> <p>Ready mode: Approx. 8 W</p> <p>Sleep mode: Approx. 2.0 W</p> <p>Power off: Approx. 0.4 W</p>

Appendix

Note:

Check the label on the printer for its voltage.

Environmental Specifications

Operation	<p>Use under the conditions shown in gray.</p>  <p>Temperature: 10 to 35°C (50 to 95°F) Humidity: 20 to 80% RH (without condensation)</p>
Storage	<p>Temperature: -20 to 40°C (-4 to 104°F)* Humidity: 5 to 85% RH (without condensation)</p>

* You can store for one month at 40°C (104°F).

Environmental Specifications for Ink Cartridges

Storage Temperature	-20 to 40 °C (-4 to 104 °F)*
Freezing Temperature	<p>-23 °C (-9.4 °F) Ink thaws and is usable after approximately three hours at 25 °C (77 °F).</p>

* You can store for one month at 40 °C (104 °F).

System Requirements

- Windows 8.1 (32-bit, 64-bit)/Windows 8 (32-bit, 64-bit)/Windows 7 (32-bit, 64-bit)/Windows Vista (32-bit, 64-bit)/Windows XP Professional x64 Edition/Windows XP (32-bit)/Windows Server 2012/Windows Server 2008 R2/Windows Server 2008/Windows Server 2003 R2/Windows Server 2003
- Mac OS X v10.9.x/Mac OS X v10.8.x/Mac OS X v10.7.x/Mac OS X v10.6.x/Mac OS X v10.5.8

Note:

- Windows Server operating systems only support the printer driver; other applications are not supported.
- Mac OS X may not support some applications and features.
- The UNIX File System (UFS) for Mac OS X is not supported.

Regulatory Information

Standards and Approvals

Standards and Approvals for European Model

Low voltage directive 2006/95/EC	EN60950-1
EMC directive 2004/108/EC	EN55022 Class B EN61000-3-2 EN61000-3-3 EN55024
R&TTE directive 1999/5/EC	EN300 328 EN301 489-1 EN301 489-17 EN60950-1

For European users

We, Seiko Epson Corporation, hereby declare that the following equipment Model is in compliance with the essential requirements and other relevant provisions of Directive 1999/5/EC:

B571A

For use only in Ireland, UK, Austria, Germany, Liechtenstein, Switzerland, France, Belgium, Luxembourg, Netherlands, Italy, Portugal, Spain, Denmark, Finland, Norway, Sweden, Iceland, Cyprus, Greece, Slovenia, Malta, Bulgaria, Czech, Estonia, Hungary, Latvia, Lithuania, Poland, Romania, and Slovakia.

Epson cannot accept responsibility for any failure to satisfy the protection requirements resulting from a non-recommended modification of the products.



Restrictions on Copying

Observe the following restrictions to ensure the responsible and legal use of the printer.

Copying of the following items is prohibited by law:

- Bank bills, coins, government-issued marketable securities, government bond securities, and municipal securities
- Unused postage stamps, pre-stamped postcards, and other official postal items bearing valid postage
- Government-issued revenue stamps, and securities issued according to legal procedure

Exercise caution when copying the following items:

- Private marketable securities (stock certificates, negotiable notes, checks, etc.), monthly passes, concession tickets, etc.
- Passports, driver's licenses, warrants of fitness, road passes, food stamps, tickets, etc.

Appendix

Note:

Copying these items may also be prohibited by law.

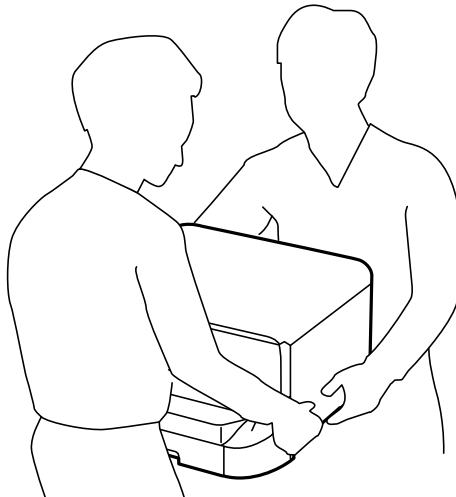
Responsible use of copyrighted materials:

Printers can be misused by improperly copying copyrighted materials. Unless acting on the advice of a knowledgeable attorney, be responsible and respectful by obtaining the permission of the copyright holder before copying published material.

Printer Transfer and Transportation

**Caution:**

- When carrying the printer, lift it using a stable position. Lifting the printer using an unstable position may result in injury.
- Because this printer is heavy, always use two people to carry it when unpacking or transporting.
- When lifting the printer, place your hands in the positions shown below. If you lift the printer holding other positions, the printer may fall or you may trap your fingers when placing the printer.



- When carrying the printer, do not tilt it more than 10 degrees; otherwise the printer may fall.
- When installing the printer on the optional cabinet, lock the casters before starting installation. If the cabinet moves unexpectedly, you may be injured.

Printer Transfer Within a Short Distance

Turn off the printer and disconnect the power cord and cables. Do not apply vibrations to the printer and keep it level while carrying.

When lifting the printer

If you have installed the optional cabinet and the paper cassette units, remove them, and then lift the printer.

Appendix

When moving the printer on the casters


If you have installed the optional cabinet, you can move the printer without lifting it because the cabinet has casters. However, do not move over uneven or rough surfaces to avoid impacts to the printer. Uninstall the stands for the cabinet and unlock the casters before moving.

Transporting the Printer

Prepare the printer for transport as described here.

**Important:**

- When storing or transporting the printer, avoid tilting it, placing it vertically, or turning it upside down; otherwise ink may leak.
- Leave the ink cartridges installed. Removing the cartridges can dry out the print head and may prevent the printer from printing.
- Leave the maintenance box installed; otherwise ink may leak during transporting.

1. Turn off the printer by pressing the  button, and then unplug the power cord.
2. Disconnect any connected cables.
3. Remove all of the paper from the printer.
4. Store the paper support and the output tray.
5. Uninstall the optional cabinet or paper cassette units.
6. Repack the printer in its box, using the protective materials.

Remove the protective materials before you use the printer again.

If print quality has declined the next time you print, clean and align the print head.

Related Information

- ➔ [“Part Names and Functions” on page 14](#)
- ➔ [“Checking and Cleaning the Print Head” on page 72](#)
- ➔ [“Aligning the Print Head” on page 73](#)

Installing the Optional Units

Optional Cabinet Code

The following is the code for the optional cabinet.

Optional Cabinet

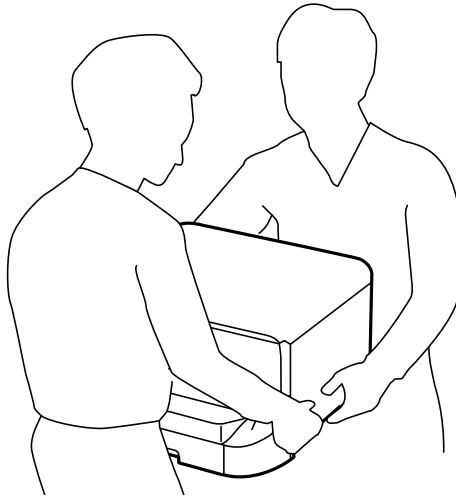
Installing the Optional Cabinet


The cabinet can be attached to the printer and the optional paper cassette units.

Appendix

 **Caution:**

- ❑ Make sure you turn off the printer, unplug the power cord from the printer, and disconnect any cables before starting installation. Otherwise, the power cord may be damaged resulting in fire or electric shock.
- ❑ Lock the casters of the cabinet before starting installation. If the cabinet moves unexpectedly, you may be injured.
- ❑ When lifting the printer, place your hands in the positions shown below. If you lift the printer holding other positions, the printer may fall or you may trap your fingers when placing the printer.

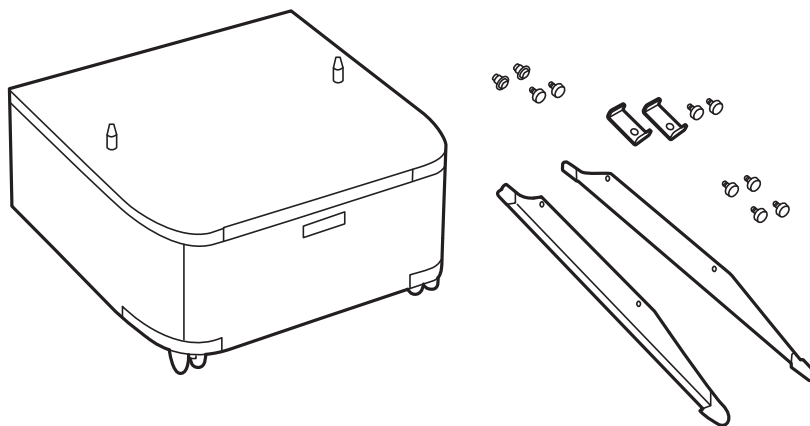


1. Turn off the printer by pressing the  button, and then unplug the power cord.
2. Disconnect any connected cables.

Note:

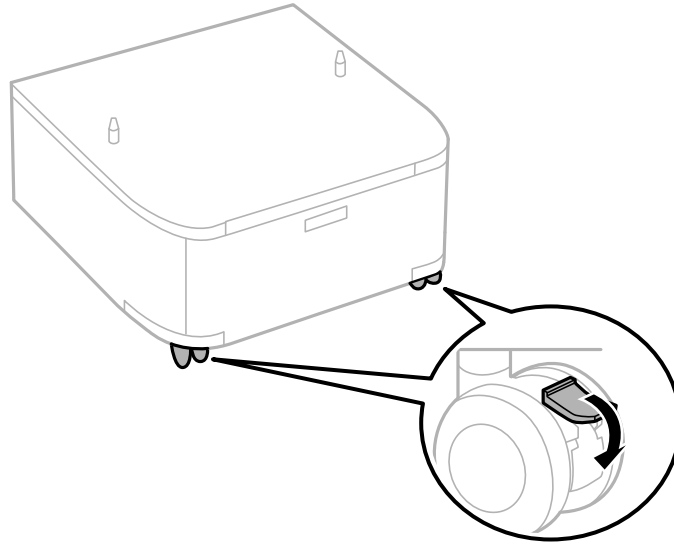
If optional paper cassette units have been installed, uninstall them as well.

3. Remove the cabinet from the box, and then remove any protective materials.
4. Check the items supplied.

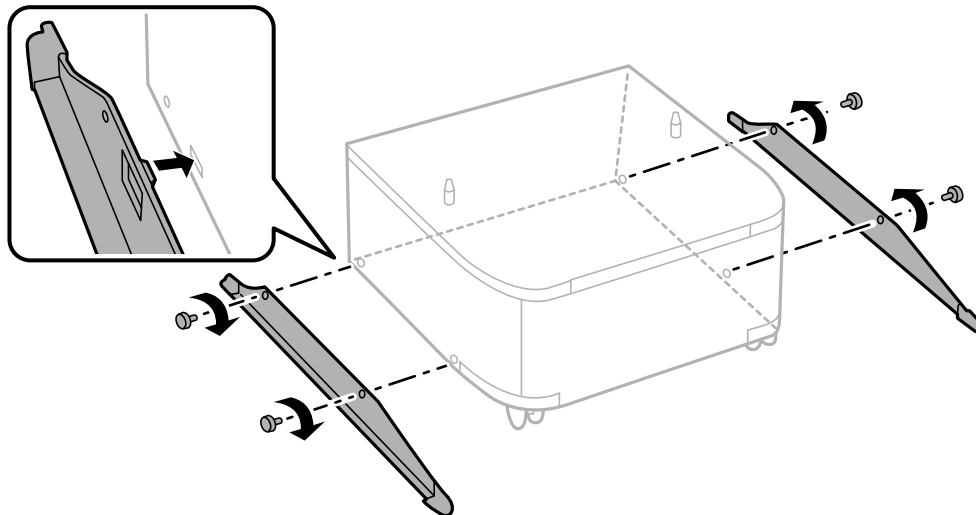


Appendix

5. Place the cabinet on a flat surface and lock the casters at the front.

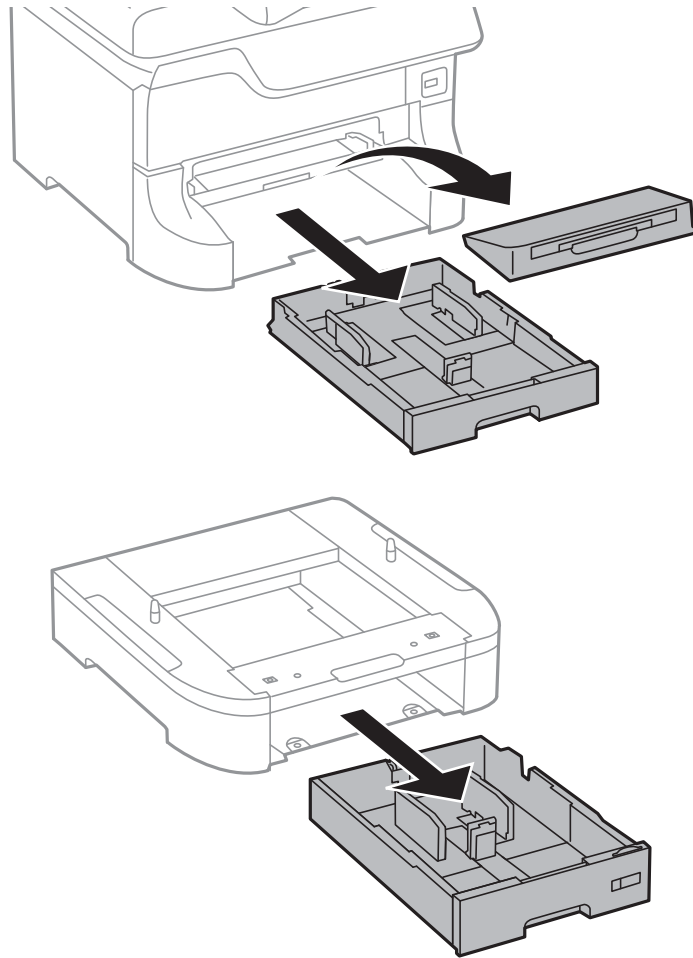


6. Secure the stands with the attachments and screws.



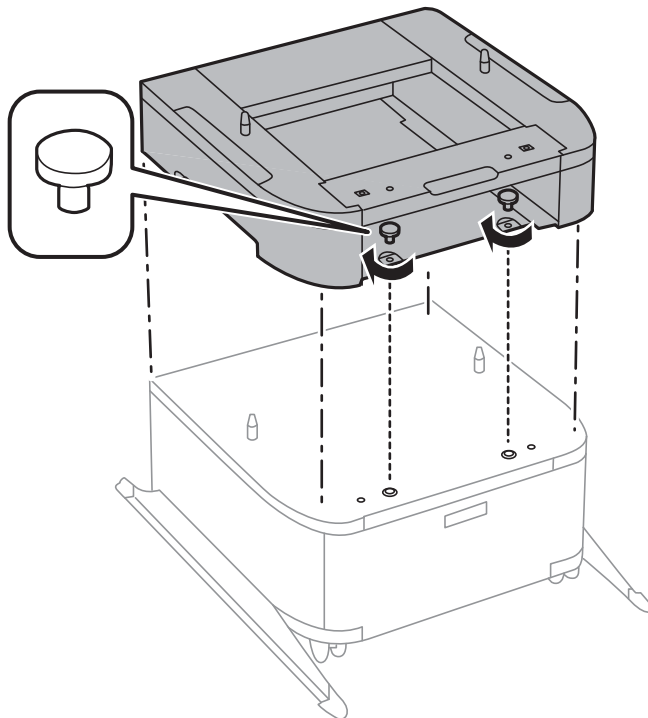
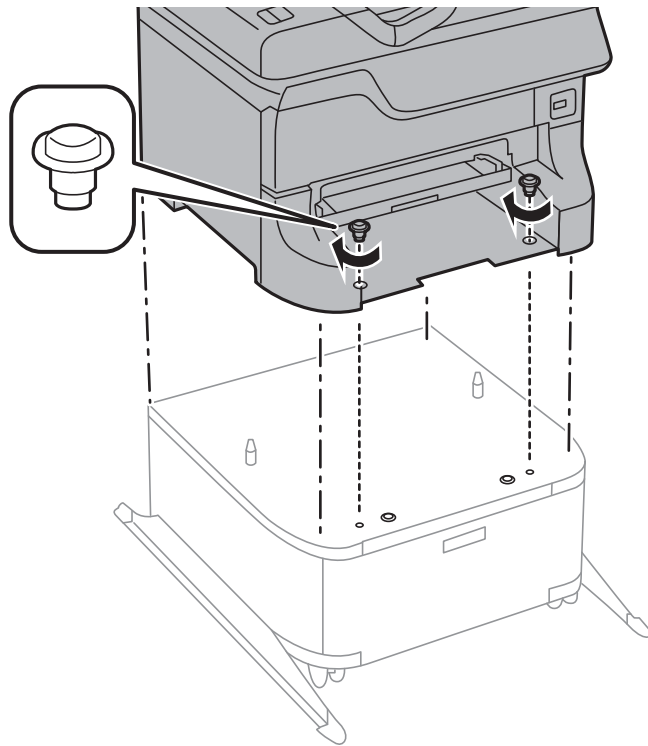
Appendix

7. Remove the output tray and pull out the paper cassette.



Appendix

8. Lower the printer or an optional paper cassette unit gently onto the cabinet aligning the corners, and then secure them with the screws.

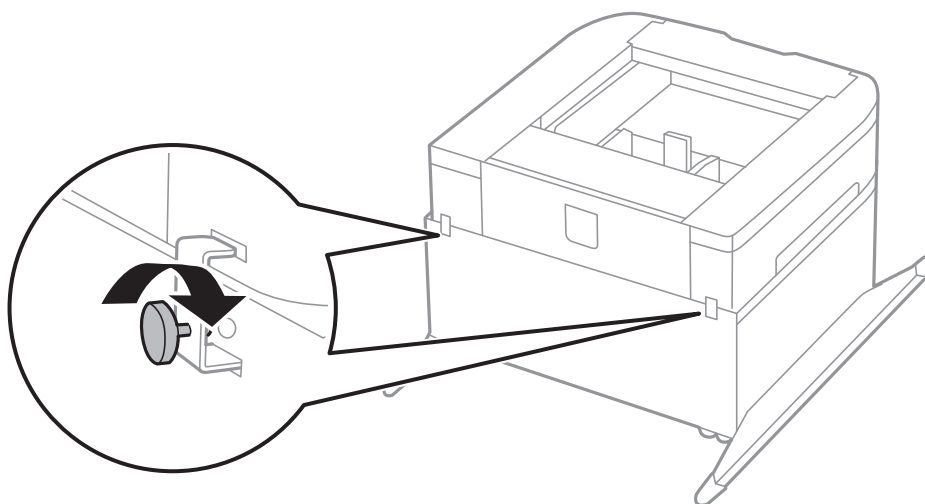
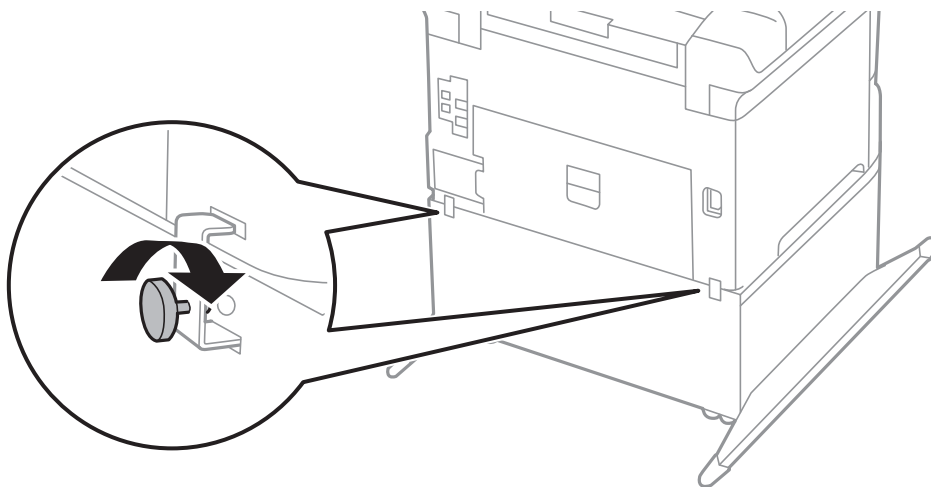


Note:

- ❑ Use a screwdriver to tighten the screws when securing the printer.
- ❑ Depending on the configuration, some screws may be left over after assembly.

Appendix

- Secure the printer or an optional paper cassette unit at the back with the attachments and screws.



- Insert the paper cassette, and then attach the output tray.
- Connect the cables and plug in the printer.

Note:

When uninstalling the cabinet, turn off the printer, unplug the power cord, disconnect any cables, and then perform the installation procedure in reverse.

Related Information

➔ [“Optional Cabinet Code” on page 104](#)

Optional Paper Cassette Unit Code

The following is the code for the optional paper cassette unit.

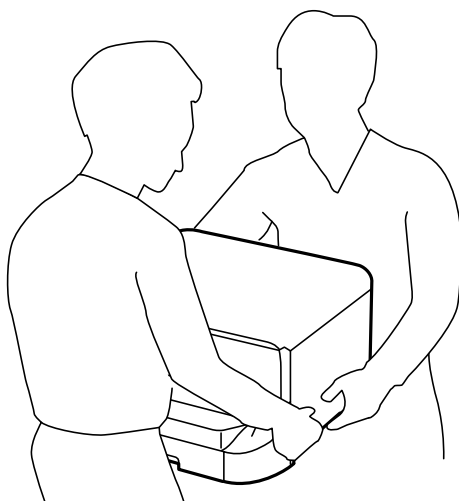
500-Sheet Optional Cassette Unit


Installing the Optional Paper Cassette Units

You can install up to three paper cassette units.


 **Caution:**

- ❑ Make sure you turn off the printer, unplug the power cord from the printer, and disconnect any cables before starting installation. Otherwise, the power cord may be damaged resulting in fire or electric shock.
- ❑ When lifting the printer, place your hands in the positions shown below. If you lift the printer holding other positions, the printer may fall or you may trap your fingers when placing the printer.



 **Important:**

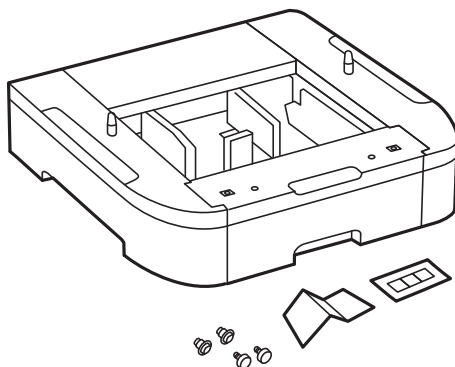
If you are using the optional cabinet, install it under the bottom of the paper cassette unit in advance.

1. Turn off the printer by pressing the  button, and then unplug the power cord.
2. Disconnect any connected cables.

Note:

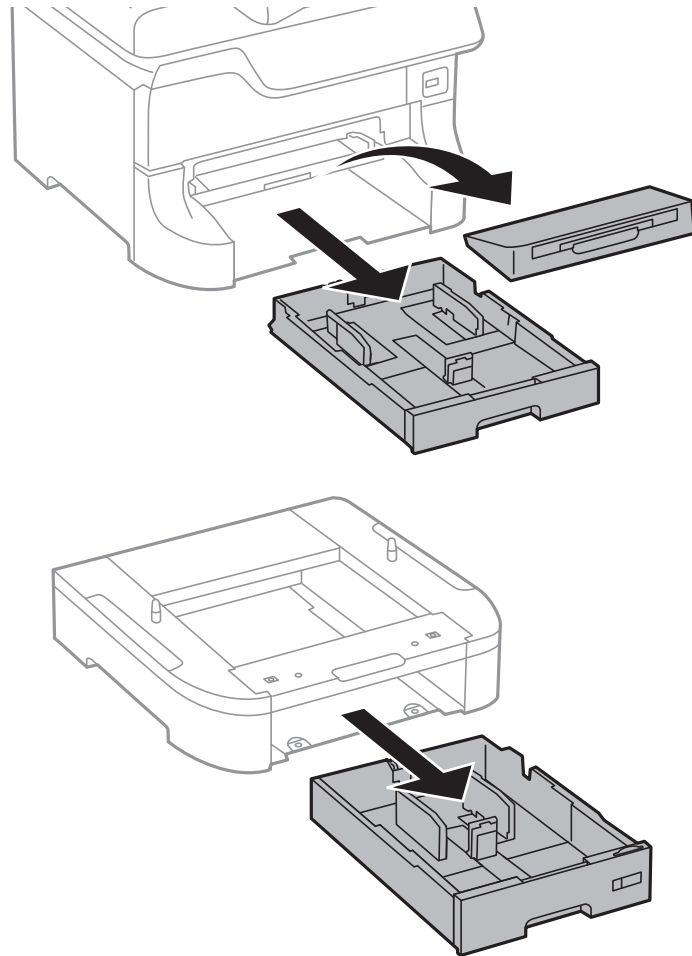
If other optional paper cassette units have been installed, uninstall them as well.

3. Remove the optional paper cassette unit from its box, and then remove any protective materials.
4. Check the items supplied.

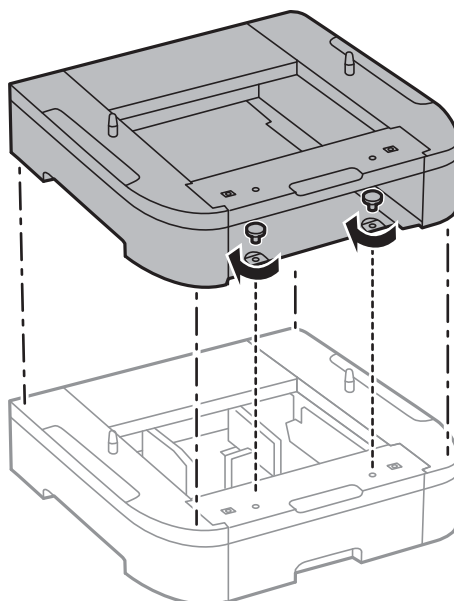


Appendix

5. Place the optional paper cassette unit where you want to set up the printer.
6. Remove the output tray and pull out the paper cassette.

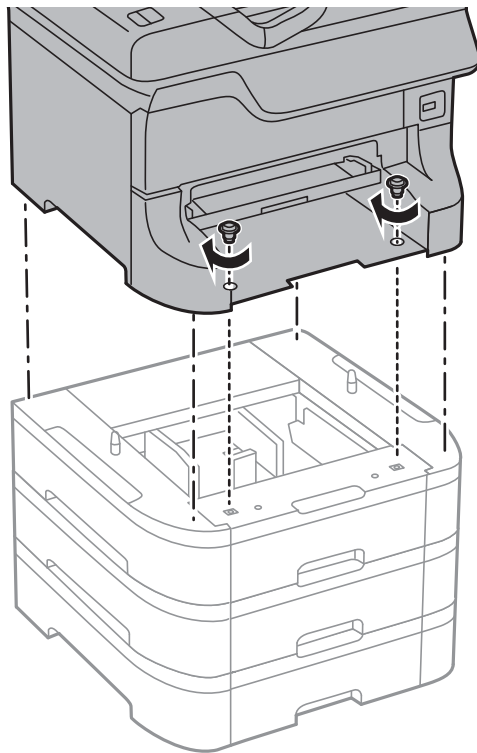


7. Stack all optional paper cassette units on top of each other, and then secure them with the screws.



Appendix

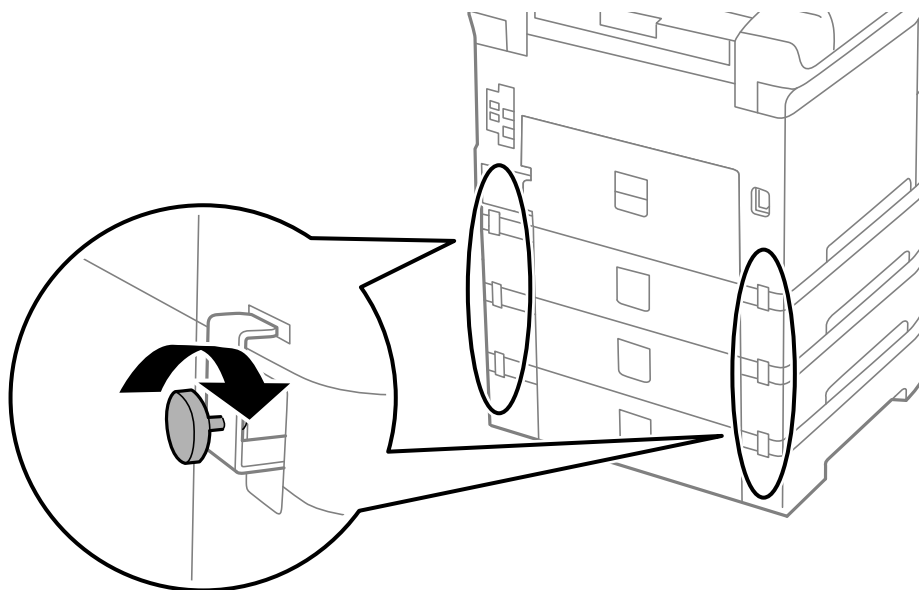
8. Lower the printer gently onto the optional paper cassette aligning the corners, and then secure them with the screws using a screw driver.



Note:

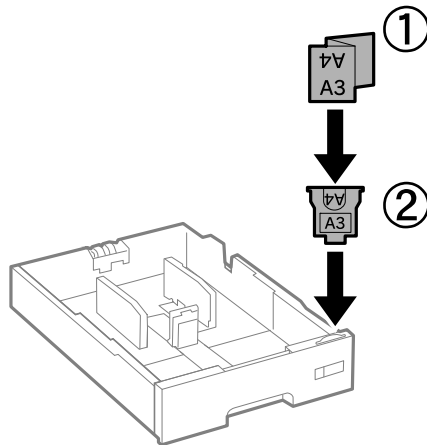
Depending on the configuration, some screws may be left over after assembly.

9. Secure the optional paper cassette unit and the printer at the back with the attachments and screws.

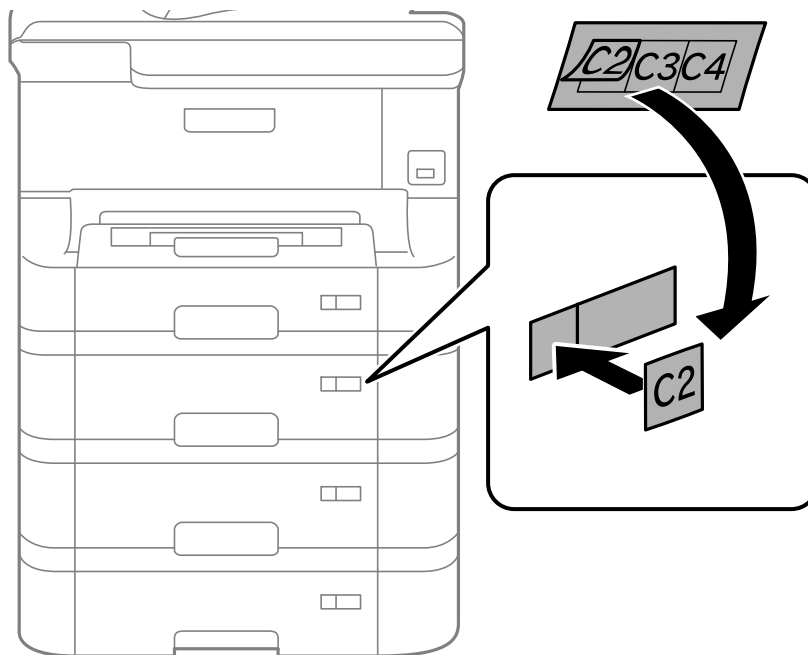



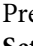
Appendix

10. Insert a label showing the size of the paper to be loaded in the cassette into the holder.



11. Insert the paper cassette, and then attach the output tray.
12. Place the sticker indicating the cassette number.



13. Reconnect the power cord and any other cables, and then plug in the printer.
14. Turn on the printer by pressing the  button.
15. Press the  button, and check that the optional cassette unit that you installed is displayed on the **Paper Setup** screen.

Note:

When uninstalling the optional paper cassette unit, turn off the printer, unplug the power cord, disconnect any cables, and then perform the installation procedure in reverse.

Proceed with the printer driver settings.

Related Information

- ➔ [“Optional Paper Cassette Unit Code” on page 109](#)
- ➔ [“Installing the Optional Cabinet” on page 104](#)

Setting the Optional Paper Cassette Unit in the Printer Driver


To use the installed optional paper cassette unit, the printer driver needs to acquire the necessary information.

Setting the Optional Paper Cassette Unit in the Printer Driver - Windows**Note:**

Log on to your computer as an administrator.

1. Open the **Optional Settings** tab from the printer properties.
 - Windows 8.1/Windows 8/Windows Server 2012
Select **Desktop > Settings > Control Panel > View devices and printers in Hardware and Sound**. Right-click on your printer, or press and hold it, select **Printer properties**, and then click the **Optional Settings** tab.
 - Windows 7/Windows Server 2008 R2
Click the start button, and select **Control Panel > View devices and printers in Hardware and Sound**. Right-click on your printer, select **Printer properties**, and then click the **Optional Settings** tab.
 - Windows Vista/Windows Server 2008
Click the start button, and then select **Control Panel > Printers in Hardware and Sound**. Right-click on your printer, select **Property**, and then click **Optional Settings**.
 - Windows XP/Windows Server 2003 R2/Windows Server 2003
Click the start button, and select **Control Panel > Printers and Other Hardware > Printers and Faxes**. Right-click on your printer, select **Property**, and then click the **Optional Settings** tab.
2. Select **Acquire from Printer**, and then click **Get**.
Optional Paper Sources information is displayed in **Current Printer Information**.
3. Click **OK**.

Setting the Optional Paper Cassette Unit in the Printer Driver - Mac OS X

1. Select **System Preferences** from the  menu > **Printers & Scanners** (or **Print & Scan, Print & Fax**), and then select the printer. Click **Options & Supplies > Options** (or **Driver**).
2. Set **Lower Cassette** according to the number of paper cassettes.
3. Click **OK**.

Printer Sharing

Sharing the printer allows you to use the printer from other computers on the network.

The computer connected directly to the printer acts as a server. Other computers on the network access the "server" and share the printer.

See the computer's help for details.

Note:

To use the printer on a network, see the Network Guide.

Where to Get Help

Technical Support Web Site

If you need further help, visit the Epson support website shown below. Select your country or region and go to the support section of your local Epson website. The latest drivers, FAQs, manuals, or other downloadables are also available from the site.

<http://support.epson.net/>

<http://www.epson.eu/Support> (Europe)

If your Epson product is not operating properly and you cannot solve the problem, contact Epson support services for assistance.

Contacting Epson Support

Before Contacting Epson

If your Epson product is not operating properly and you cannot solve the problem using the troubleshooting information in your product manuals, contact Epson support services for assistance. If Epson support for your area is not listed below, contact the dealer where you purchased your product.

Epson support will be able to help you much more quickly if you give them the following information:

- Product serial number
(The serial number label is usually on the back of the product.)
- Product model
- Product software version
(Click **About**, **Version Info**, or a similar button in the product software.)
- Brand and model of your computer
- Your computer operating system name and version
- Names and versions of the software applications you normally use with your product

Note:

Depending on the product, the dial list data for fax and/or network settings may be stored in the product's memory. Due to breakdown or repair of a product, data and/or settings may be lost. Epson shall not be responsible for the loss of any data, for backing up or recovering data and/or settings even during a warranty period. We recommend that you make your own backup data or take notes.

Help for Users in Europe

Check your Pan-European Warranty Document for information on how to contact Epson support.