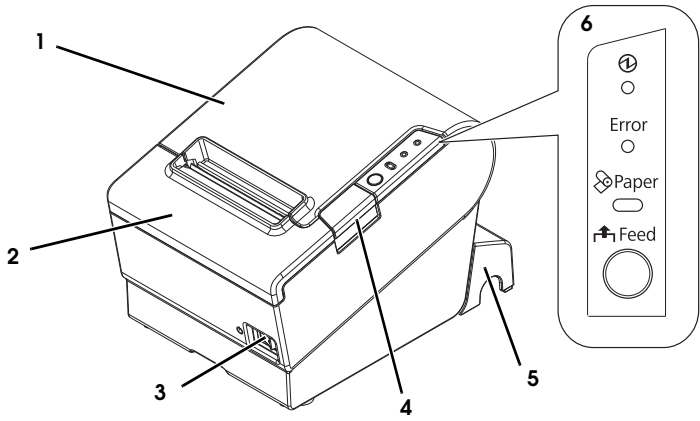


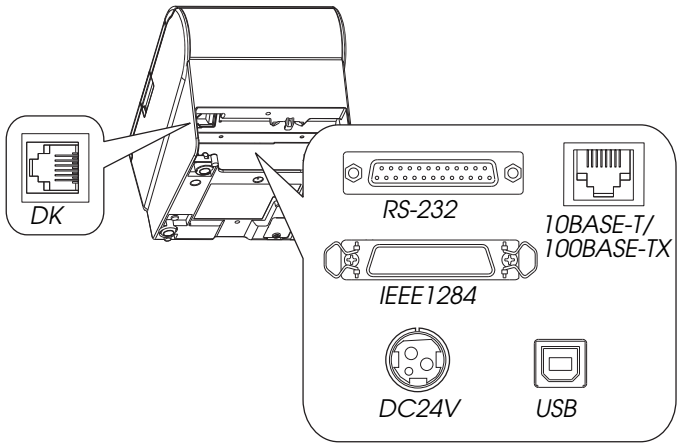
TM-T88V

User's Manual	1
Benutzerhandbuch	8
Gebruikershandleiding	15
Manuel de l'utilisateur	22
Manual do utilizador	29
Manual del usuario	36
Manuale dell'utente	43
Руководство по эксплуатации	50

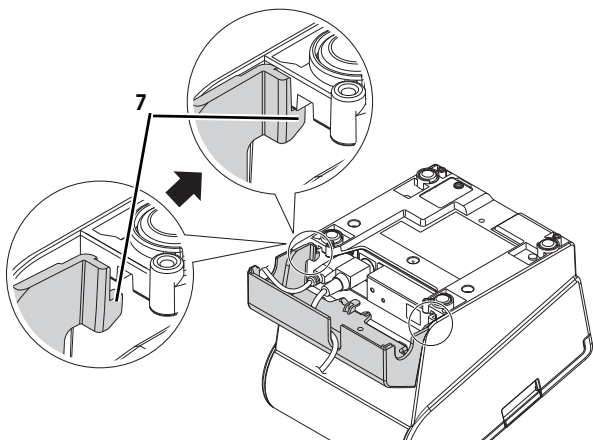
A



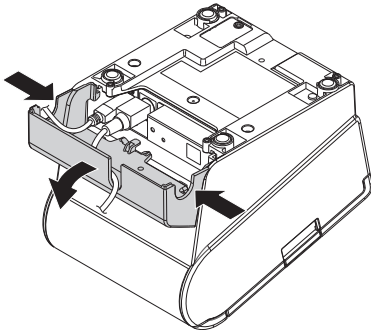
B



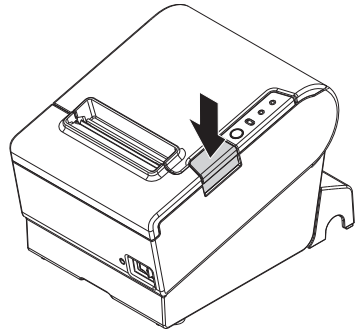
C



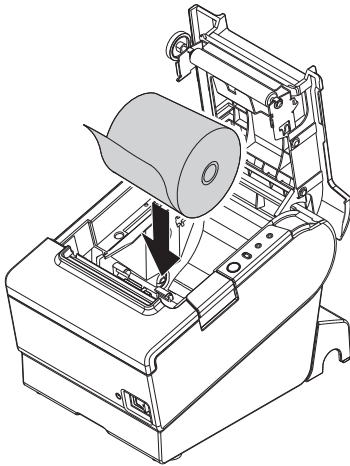
D



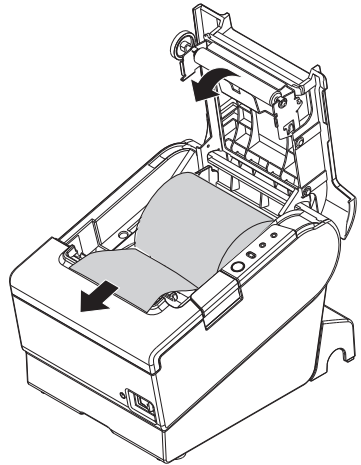
E



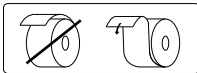
F



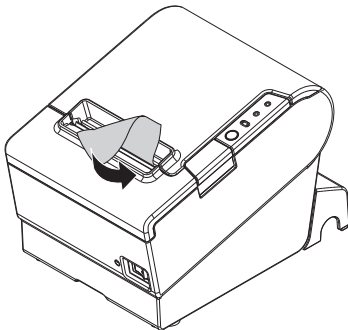
H



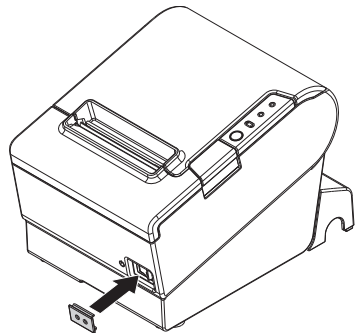
G



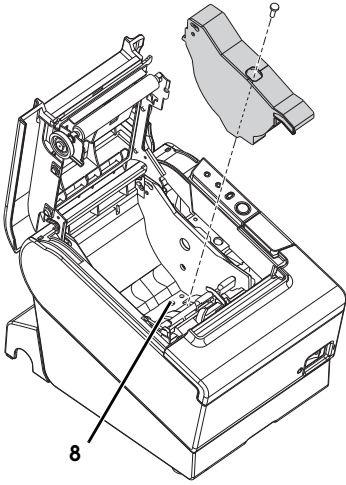
I



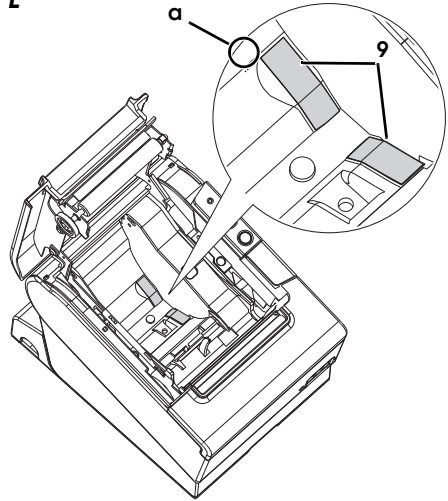
J



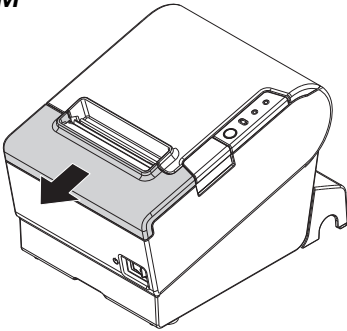
K



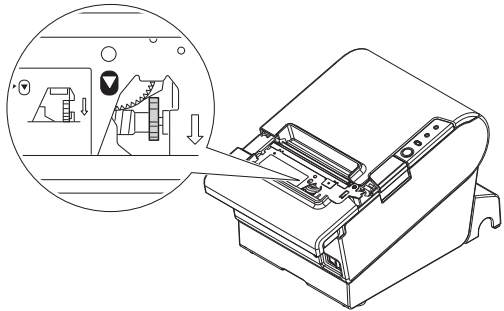
L



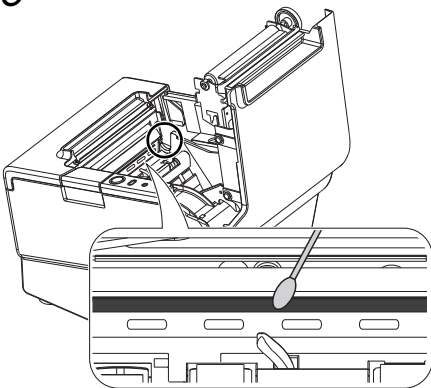
M



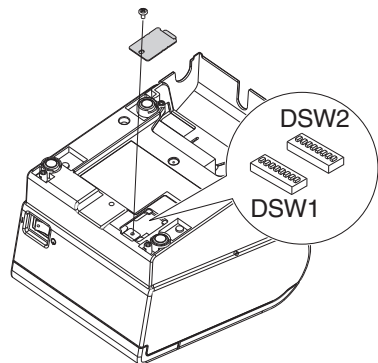
N



O



P



DIP Switch Tables

DIP switch 1 (Serial Interface)

SW	Function	ON	OFF
1-1	Data receive error	Ignored	Prints "?"
1-2	Receive buffer capacity	45 bytes	4K bytes
1-3	Handshaking	XON/XOFF	DTR/DSR
1-4	Data word length	7 bits	8 bits
1-5	Parity check	Enabled	Disabled
1-6	Parity selection	Even	Odd
1-7	Transmission speed (See table A.)		
1-8			

Table A

Transmission speed (bps)-bits per second	SW1-7	SW1-8
38400 ^{*1}	ON	ON
4800	OFF	ON
9600	ON	OFF
19200	OFF	OFF

DIP switch 1 (Parallel/USB Interface)

SW	Function	ON	OFF
1-1	Auto line feed	Always enabled	Always disabled
1-2	Receive buffer capacity	45 bytes	4K bytes
1-3 ^{*2}	Select paper sensors to output paper-end signals (default value of a command) from parallel I/F.	Disabled	Roll Paper end sensor enabled, Roll Paper near-end sensor enabled
1-4 ^{*2}		Disabled	Enabled
1-5~1-7	Undefined		
1-8 ^{*3}	Powersaving function for USB	Disabled	Enabled

*1: When DIP Switches 1-7 and 1-8 are on, the transmission speed can be selected from one of seven speeds: 2400, 4800, 9600, 19200, 38400, 57600, and 115200 bps by control commands.

*2: For USB I/F, DIP Switches 1-3 and 1-4 are Undefined.

*3: For Parallel I/F, DIP Switch 1-8 is Undefined.

DIP switch 2-1~ 2-6

SW	Function	ON	OFF
2-1	Handshaking (BUSY condition)	Receive buffer full	Offline or Receive buffer full
2-2	Do not change settings	Fixed to OFF	
2-3	Print density	See Table B	
2-4			
2-5	Release condition of receive buffer BUSY (if receive buffer capacity set to 4 KB.)	Releases BUSY when remaining receive buffer capacity reaches 138 bytes.	Releases BUSY when remaining receive buffer capacity reaches 256 bytes.
2-6	Do not change settings.	Fixed to OFF	

DIP switch 2-7, 2-8 (Serial Interface)

SW	Function	ON	OFF
2-7	I/F pin 6 reset	Enabled	Disabled
2-8	I/F pin 25 reset	Enabled	Disabled

DIP switch 2-7, 2-8 (Parallel/USB Interface)

SW	Function	ON	OFF
2-7	Do not change	Fixed to OFF	
2-8	Do not change	Fixed to ON	

Table B

Print density/low power	SW2-3	SW2-4
Print density "Normal"	OFF	OFF
Print density "Medium"	ON	OFF
Print density "Dark"	OFF	ON
Do not set	ON	ON

Specifications

	80 mm paper width	58 mm paper width*
Printing method	Thermal line printing	
Dot density	180 dpi × 180 dpi (dots per 25.4 mm {1"})	
Printing direction	Unidirectional with friction feed	
Printing width	72 mm {2.83"}, 512 dot positions	50.8 mm {2.0"}, 360 dot positions
Characters per line (default)	Font A: 42; Font B: 56	Font A: 30; Font B: 40

	80 mm paper width	58 mm paper width*
Character spacing (default)	Font A: 0.28 mm {.01"} (2 dots), Font B: 0.28 mm {.01"} (2 dots)	
Character size	Standard/Double-height/Double-width/Double-width and Double-height Font A: 1.41 × 3.39/1.41 × 6.77/2.82 × 3.39/2.82 × 6.77 mm Font B: 0.99 × 2.40/0.99 × 4.80/1.98 × 2.40/1.98 × 4.80 mm	
Character structure	Font A (default): 12 × 24; Font B: 9 × 17 (including 2-dot horizontal spacing)	
Number of characters	Alphanumeric characters: 95; International character sets: 18 sets Extended graphics: 128 × 43 pages (including user defined page)	
Printing speed	300 mm/s {11.8"/s} max.; 70.9 lps (4.23 mm {1/6"} feed) Ladder bar code and 2D code: 100mm/s {2.4"/s}	
	The above speed values are approximate. The values are when the printer prints with density "Normal" at 24 V and 25°C {77°F} Speed is adjusted automatically depending on the voltage applied and head temperature.	
Paper feed speed	Approx. 200 mm/s {approx. 7.9"/s} (continuous paper feed with the Feed button.)	
Line spacing (default)	4.23 mm {1/6"}	
Roll paper (single-ply)	Width	79.5 mm ± 0.5 mm {3.13" ± 0.02"} 57.5 mm ± 0.5 mm {2.26" ± 0.02"}
	Diameter	Maximum outside diameter: 83 mm {3.27"}
	Spool	Spool diameter: Inside: 12 mm {0.47"}; Outside: 18 mm {0.71"}
Thermal paper type	NTP080-80	NTP058-80
Interface (compatible)	Serial (RS232)/Parallel (IEEE1284)/Ethernet (10/100Base-T)/ Wireless LAN (IEEE802.11b)/USB (Full speed)/USB Plus Power (Full speed)	
Receive buffer	4K bytes/45 bytes	
Cash drawer function	2 drives	
Supply voltage	DC + 24 V ± 7% *Power supply should be 240 VA or less.	
Current consumption	Mean: Approx. 1.8A	
Temperature	Operating: 5 to 45°C {41 to 113°F} Storage: -10 to 50°C {14 to 122°F}, except for paper	
Humidity	Operating: 10 to 90% RH Storage: 10 to 90% RH, except for paper	
Overall dimensions	148 × 145 × 195 mm {5.83 × 5.71 × 7.68"} (H × W × D)	
Weight (mass)	Approx. 1.6 kg {3.5 lb}	

lps: lines per second dpi: dots per 25.4 mm (dots per inch)

*: The values are those when the paper width is changed to 58 mm by installing the roll paper guide and making the paper width setting with utility software for the TM-T88V.

EMC and Safety Standards Applied

WARNING

The connection of a non-shielded printer interface cable to this printer will invalidate the EMC standards of this device. You are cautioned that changes or modifications not expressly approved by Seiko Epson Corporation could void your authority to operate the equipment.

CE Marking

The printer conforms to the following Directives and Norms:

Directive 2004/108/EC	EN 55022 Class A	
	EN 55024	
	IEC 61000-4-2	IEC 61000-4-5
	IEC 61000-4-3	IEC 61000-4-6
	IEC 61000-4-4	IEC 61000-4-11

FCC Compliance Statement For American Users

This equipment has been tested and found to comply with the limits for a Class A digital device, pursuant to Part 15 of the FCC Rules. These limits are designed to provide reasonable protection against harmful interference when the equipment is operated in a commercial environment.

This equipment generates, uses, and can radiate radio frequency energy and, if not installed and used in accordance with the instruction manual, may cause harmful interference to radio communications.

Operation of this equipment in a residential area is likely to cause harmful interference, in which case the user will be required to correct the interference at his own expense.

For Canadian Users

This Class A digital apparatus complies with Canadian ICES-003.

À l'intention des utilisateurs canadiens

Cet appareil numérique de classe A est conforme à la norme canadienne ICES-003.

Indication of the manufacturer and the importer in accordance with requirements of directive 2011/65/EU (RoHS)

Manufacturer: SEIKO EPSON CORPORATION
Address: 3-5, Owa 3-chome, Suwa-shi, Nagano-ken 392-8502, Japan
Telephone: 81-266-52-3131 Fax: 81-266-52-8409

Importer: EPSON EUROPE B.V.
Address: Azië building, Atlas ArenA, Hoogoorddreef 5, 1101 BA Amsterdam Zuidoost, The Netherlands
Telephone: 31-20-314-5000

TM-T88V

User's Manual

DIP Switch Tables and Specifications

The DIP switch tables and technical specifications are at the beginning of this manual.

Illustrations

All of the illustrations are at the beginning of this manual. They are identified by letters (A, B, C . . .). Some of the illustrations have numbers in them. See the list below for the meaning of the numbers.

Illustration A:

1. Roll paper cover
2. Cutter cover
3. Power switch
4. Cover open button
5. Connector cover
6. Control panel

Illustration C:

7. Hook

Illustration K:

8. Hole

Illustration L:

9. Sheets for 58 mm paper width

All rights reserved. No part of this publication may be reproduced, stored in a retrieval system, or transmitted in any form or by any means, electronic, mechanical, photocopying, recording, or otherwise, without the prior written permission of Seiko Epson Corporation. No patent liability is assumed with respect to the use of the information contained herein. While every precaution has been taken in the preparation of this book, Seiko Epson Corporation assumes no responsibility for errors or omissions. Neither is any liability assumed for damages resulting from the use of the information contained herein.

Neither Seiko Epson Corporation nor its affiliates shall be liable to the purchaser of this product or third parties for damages, losses, costs, or expenses incurred by purchaser or third parties as a result of: accident, misuse, or abuse of this product or unauthorized modifications, repairs, or alterations to this product, or (excluding the U.S.) failure to strictly comply with Seiko Epson Corporation's operating and maintenance instructions.

Seiko Epson Corporation shall not be liable against any damages or problems arising from the use of any options or any consumable products other than those designated as Original Epson Products or Epson Approved Products by Seiko Epson Corporation.

Depending on the area, the interface cable may be included with the product. If so, use that cable.

Seiko Epson Corporation shall not be held liable for any damage resulting from electromagnetic interference that occurs from the use of any interface cables other than those designated as Epson approved products.

EPSON is a registered trademark of Seiko Epson Corporation in Japan and other countries/regions.

NOTICE: The contents of this manual are subject to change without notice.

Copyright © 2009 by Seiko Epson Corporation, Nagano, Japan.

WARNING

This is a Class A product. In a domestic environment this product may cause radio interference in which case the user may be required to take adequate measures.

Safety Precautions

This section presents important information intended to ensure safe and effective use of this product. Please read this section carefully and store it in an accessible location.

WARNING:

Shut down your equipment immediately if it produces smoke, a strange odor, or unusual noise. Continued use may lead to fire. Immediately unplug the equipment and contact your dealer or a Seiko Epson service center for advice. Never attempt to repair this product yourself. Improper repair work can be dangerous.

Never disassemble or modify this product. Tampering with this product may result in injury or fire.

Be sure to use the specified power source. Connection to an improper power source may cause fire.

Do not allow foreign matter to fall into the equipment. Penetration by foreign objects may lead to fire.

If water or other liquid spills into this equipment, unplug the AC cable immediately, and then contact your dealer or a Seiko Epson service center for advice. Continued usage may lead to fire.

If you open the DIP switch cover, be sure to close the cover and tighten the screw after adjusting the DIP switch. Using this product with the cover open may cause fire or electric shock.

Do not use aerosol sprayers containing flammable gas inside or around this product. Doing so may cause fire.

CAUTION:

Do not connect cables in ways other than those mentioned in this manual. Different connections may cause equipment damage and burning.

Be sure to set this equipment on a firm, stable, horizontal surface. The product may break or cause injury if it falls.

Do not use in locations subject to high humidity or dust levels. Excessive humidity and dust may cause equipment damage or fire.

Do not place heavy objects on top of this product. Never stand or lean on this product. Equipment may fall or collapse, causing breakage and possible injury.

Take care not to injure your fingers on the manual cutter

- *When you remove printed paper*
- *When you perform other operations such as loading/replacing roll paper*

To ensure safety, unplug this product before leaving it unused for an extended period.

Caution Labels

CAUTION:

*Do not touch the thermal head and the frame on its side (indicated in the circle in illustration **O** on page iv) because it can be very hot after printing.*

CAUTION:

Touching the manual cutter may cause injury.

Restriction of Use

When this product is used for applications requiring high reliability/safety such as transportation devices related to aviation, rail, marine, automotive etc.; disaster prevention devices; various safety devices etc.; or functional/precision devices etc., you should use this product only after giving consideration to including fail-safes and redundancies into your design to maintain safety and total system reliability. Because this product was not intended for use in applications requiring extremely high reliability/safety such as aerospace equipment, main communication equipment, nuclear power control equipment, or medical equipment related to direct medical care etc., please make your own judgment on this product's suitability after a full evaluation.

Unpacking

The following items are included with the standard specification printer. If any item is damaged, contact your dealer.

- | | |
|---|--|
| <input type="checkbox"/> Printer | <input type="checkbox"/> Roll Paper |
| <input type="checkbox"/> Connector cover | <input type="checkbox"/> Power switch cover |
| <input type="checkbox"/> Roll paper guide | <input type="checkbox"/> Sheet for 58 mm paper width × 2 |
| <input type="checkbox"/> Screw | <input type="checkbox"/> AC adapter* |
| <input type="checkbox"/> AC cable* | <input type="checkbox"/> Warranty certificate* |
| <input type="checkbox"/> User's manual | |

* May not be included with your printer.

Downloading Drivers, Utilities, and Manuals

Drivers, utilities, and manuals can be downloaded from one of the following URLs.

For customers in North America, go to the following web site:

<http://www.epsonexpert.com/> and follow the on-screen instructions.

For customers in other countries, go to the following web site:

<http://download.epson-biz.com/?service=pos>

Precautions When Installing the Power Supply Cover

A description of EMI standards is on the bottom of the printer. When the optional power supply cover (OT-BX88V) is installed, it is hard to check it. In such case, uninstall the power supply cover if necessary.

Part Names

See illustration **A** on page ii and the part names on page 1.

Control Panel

① (Power) LED

This LED is on when the printer is on.

Error LED

This indicates an error.

Paper LED

On indicates a paper near end or out. Flashing indicates standby.

Feed button

This button feeds paper.

Installing the Printer Horizontally or Vertically

You can install the printer horizontally on a flat surface (with the paper exit on top) or vertically (with the paper exit at the front) by hanging it on a wall, using the optional WH-10 hanging bracket set.

⚠ WARNING:

When hanging the printer on the wall with the hanging bracket set, be sure to attach a connector cover to the printer.

Setting Up the Printer

To set up the printer, follow the steps below.

1. Connect the cables.
2. Attach the connector cover.
3. Install the roll paper.

Connecting the Cables

⚠ CAUTION:

For a serial interface, use a null modem cable.

For a parallel interface, use an IEEE 1284 cable.

For a USB interface, do not turn on the printer before installing the printer driver.

1. Connect the AC cable, each interface cable, and the cash drawer cable to the connectors on the printer back. For the shape of each connector, see illustration **B** on page ii. (Mounted interfaces vary by specification.)
2. Connect the interface cable to the computer.
3. Insert the AC cable plug into a power outlet.

Attaching the Connector Cover

Follow the steps below to attach the connector cover to protect the cables.

1. Turn over the printer.
2. Position the two hooks on both sides of the connector cover so that they hook the printer case, as shown in illustration **C** on page ii.
3. Push the connector cover down to click onto the printer case.
4. Pass each cable through the cable exits at the bottom of the connector cover.
5. Turn over the printer, and make sure the cables are not pinched.

To remove the connector cover, turn the printer over, and push the connector cover down while pushing both sides of the connector cover inward to detach the hooks from the printer case. See illustration **D** on page iii.

Installing Roll Paper

Follow the steps below to install the roll paper. If you want to change the paper width by using the roll paper guide, see "Changing the Paper Width" on page 5.

1. Press the cover open button to open the roll paper cover. See illustration **E** on page iii.
2. Remove the used roll paper core if any, and insert the roll paper. See illustration **F**. The correct direction of the paper is shown in illustration **G**.
3. Pull out some paper, and close the roll paper cover, as shown in illustration **H**.
4. Tear off the paper, as shown in illustration **I**.

Attaching the Power Switch Cover

The enclosed power switch cover ensures that the power switch is not pressed accidentally. To use this cover, install it as shown in illustration **J** on page iii.

⚠ WARNING:

If an accident occurs with the power switch cover attached, unplug the AC cable immediately. Continued use may cause fire or shock.

Changing the Paper Width

You can change the paper width from 80 mm to 58 mm by installing the roll paper guide. Follow the steps below to change the paper width.

⚠ CAUTION:

If you once change the paper width from 80 mm to 58 mm, you cannot change it back to 80 mm.

When changing the paper width, be sure to make the setting for the paper width with utility software for the TM-T88V.

1. Open the roll paper cover.
2. Install the roll paper guide so that the projection on its bottom is aligned with the hole at the right of the roll paper holder, as shown in illustration **K** on page iv.
3. Tighten the enclosed screw to fix the roll paper guide.

4. Paste the enclosed 2 sheets along the roll paper guide on the bottom of the roll paper holder, as shown in illustration **L**.
Make sure the space between the top edge of sheet and the line of the groove in the roll paper guide (indicated as **a** in the illustration) is 0.5 mm or less.
5. Install the roll paper correctly.
6. Close the roll paper cover.

Troubleshooting

No lights on the control panel

Check whether the DC cable and AC cable are correctly connected to the printer and the power outlet.

Error LED on with no printing

- Check whether the roll paper cover is closed. If it is open, close it.
- If the Paper LED is **on**, check whether the roll paper is correctly installed and any roll paper remains.

Error LED flashing with no printing

- Check whether a paper jam has occurred. If paper is jammed, remove the jammed paper referring to the description below and install the roll paper correctly.
- Printing stops if the head overheats and resumes automatically when it cools.
- For other cases, turn the printer off, and after 10 seconds, back on.

Removing Jammed Paper

When a paper jam occurs, never pull out the paper forcibly. Open the roll paper cover and remove the jammed paper.



CAUTION:

*Do not touch the thermal head and the frame on its side (indicated in the circle in illustration **O** on page iv) because it can be very hot after printing.*

If the roll paper cover does not open, follow the steps below.

1. Turn off the printer.
2. Slide the cutter cover toward front to open it, as shown in illustration **M** on page iv.
3. Turn the knob until you see a triangle in the opening. This returns the cutter blade to the normal position. There is a label near the cutter to assist you. See illustration **N**.
4. Close the cutter cover.
5. Open the roll paper cover and remove the jammed paper.

Cleaning the Thermal Head

  **CAUTION:**

After printing, the thermal head and the frame on its side (indicated in the circle in illustration **O** on page iv) can be very hot. Be careful not to touch it and to let it cool before you clean it. Do not damage the thermal head by touching it with your fingers or any hard object.

Turn off the printer, open the roll paper cover, and clean the thermal elements of the thermal head with a cotton swab moistened with an alcohol solvent (ethanol or IPA). See illustration **O** on page iv.

Epson recommends cleaning the thermal head periodically (generally every 3 months) to maintain receipt print quality.

Setting the DIP Switches

 **CAUTION:**

Be sure to turn off the printer before removing the cover of the DIP switches. Removing it while the printer is turned on may cause problems such as an electric short, which leads to a malfunction of the printer.

1. Turn off the printer.
2. Turn over the printer.
3. Remove the DIP switch cover by removing the screw, as shown in illustration **P** on page iv.
4. Set the DIP switches using a fine-tipped tool.
5. Replace the DIP switch cover, and fix it by installing the screw.

The new setting becomes effective after the printer is turned on.

TM-T88V

Benutzerhandbuch

DIP-Schaltereinstellungen und Spezifikationen

Angaben über die Einstellungen und Spezifikationen der DIP-Schalter befinden sich am Anfang der Bedienungsanleitung.

Abbildungen

Alle Abbildungen befinden sich am Anfang der Bedienungsanleitung und sind mit Buchstaben (A, B, C . . .) gekennzeichnet. Einige Abbildungen enthalten Nummern. Die Bedeutung der Nummern ist wie folgt.

Abbildung A:

1. Rollenpapierabdeckung
2. Papierschneiderabdeckung
3. EIN-/AUS-Schalter
4. Öffnungsknopf für Abdeckung
5. Anschlussabdeckung
6. Bedienfeld

Abbildung C:

7. Haken

Abbildung K:

8. Loch

Abbildung L:

9. Blätter für 58 mm Papierbreite

Alle Rechte vorbehalten. Diese Veröffentlichung darf ohne ausdrückliche schriftliche Genehmigung der Seiko Epson Corporation nicht reproduziert, in einem Abrufsystem gespeichert oder in beliebiger Form und auf jedwede Weise übermittelt werden, weder durch Fotokopieren, Aufzeichnen, noch auf elektronische, mechanische oder sonstige Weise. Für die hierin enthaltenen Informationen wird keine Patenhaftung übernommen. Obgleich bei der Zusammenstellung dieser Anleitung mit Sorgfalt vorgegangen wurde, übernimmt die Seiko Epson Corporation keine Verantwortung für Fehler und Auslassungen. Zudem wird keine Haftung übernommen für Schäden, die aus der Verwendung der hierin enthaltenen Informationen entstehen.

Weder die Seiko Epson Corporation noch ihre Tochtergesellschaften sind dem Käufer dieses Produkts oder Drittparteien gegenüber für Schäden, Verluste, Kosten oder Ausgaben haftbar, die für den Käufer oder etwaige Drittparteien aufgrund von Unfall, Mißbrauch oder Zweckentfremdung dieses Produkts, nicht autorisierten Modifikationen, Reparaturen oder Produktumbauten sowie (mit Ausnahme USA) aufgrund des Versäumnisses anfallen, die Bedienungs- und Wartungsanleitungen der Seiko Epson Corporation genau einzuhalten.

Die Seiko Epson Corporation ist nicht haftbar für Schäden oder Probleme, die bei Verwendung von Optionen oder Verschleißteilen auftreten, die nicht als Original-Epson-Produkte oder von der Seiko Epson Corporation zugelassene Epson Produkte gelten.

EPSON ist ein eingetragenes Warenzeichen der Seiko Epson Corporation in Japan und anderen Ländern/Gebieten.

HINWEIS: Änderungen am Inhalt dieser Anleitung ohne Vorankündigung vorbehalten.

Copyright © 2009 Seiko Epson Corporation, Nagano, Japan.

WARNUNG

Dies ist ein Gerät der Klasse A. In Wohnbereichen kann dieses Produkt Rundfunkstörungen verursachen; in diesem Fall muss der Benutzer geeignete Abhilfemaßnahmen treffen.

Maschinenlärminformations-Verordnung 3. GPSGV: Der höchste Schalldruckpegel beträgt 70 dB(A) oder weniger gemäss EN ISO 7779.

Das Gerät ist nicht für die Benutzung im unmittelbaren Gesichtsfeld am Bildschirmarbeitsplatz vorgesehen. Um storende Reflexionen am Bildschirmarbeitsplatz zu vermeiden, darf dieses Produkt nicht im unmittelbaren Gesichtsfeld platziert werden.

Importeur

EPSON EUROPE. B.V.

Entrada 701, 1096 EJ AMSTERDAM, THE NETHERLANDS

Sicherheitshinweise

Dieser Abschnitt enthält wichtige Informationen für die sichere und effektive Verwendung dieses Produkts. Lesen Sie diesen Abschnitt sorgfältig durch und bewahren Sie ihn gut zugänglich auf.

⚠️ WARNUNG:

Schalten Sie das Gerät sofort aus, wenn Sie Rauch bzw. ungewöhnliche Gerüche oder Geräusche bemerken. Wenn das Gerät weiter verwendet wird, kann dies zu einem Brand führen. Ziehen Sie den Netzstecker des Gerätes sofort aus der Netzsteckdose und benachrichtigen Sie Ihren Händler oder ein Seiko Epson Service Center.

Versuchen Sie niemals, dieses Produkt eigenständig zu reparieren. Unsachgemäße Reparaturarbeiten können gefährlich sein.

Zerlegen oder modifizieren Sie dieses Produkt nicht. Unsachgemäße Arbeiten an diesem Produkt können zu Verletzungen oder einem Brand führen.

Stellen Sie sicher, dass Sie die für dieses Produkt geeignete Stromquelle verwenden. Anschluss an andere Stromquellen können zu einem Brand führen.

Vermeiden Sie das Eindringen von Fremdoobjekten in dieses Produkt. Das Eindringen von Fremdoobjekten kann zu einem Brand führen.

Wenn Wasser oder andere Flüssigkeiten in dieses Produkt eindringen, ziehen Sie sofort den Netzstecker heraus und benachrichtigen Sie einen Fachhändler oder Ihr Seiko Epson Service Center. Wenn das Gerät weiter verwendet wird, kann dies einen Brand verursachen.

Die Abdeckung des DIP-Schalters muss nach dem Öffnen und der Einstellung des DIP-Schalters unbedingt geschlossen und fest verschraubt werden. Bei Gebrauch dieses Gerätes mit offener Abdeckung besteht die Gefahr von Brand oder elektrischem Schlag.

Verwenden Sie keine brennbaren Sprühmittel in und in der Nähe des Gerätes. Brandgefahr!

⚠️ VORSICHT:

Schließen Sie Kabel nur auf die in diesem Handbuch beschriebene Weise an. Andere Kabelverbindungen können das Gerät beschädigen und einen Brand verursachen.

Stellen Sie dieses Gerät unbedingt auf einer festen, stabilen, horizontalen Fläche auf. Das Produkt kann beim Fallen beschädigt werden oder Verletzungen verursachen.

Verwenden Sie das Gerät nicht an Orten mit hohem Feuchtigkeits- oder Staubgehalt. Eine übermäßige Feuchtigkeits- oder Staubbentwicklung kann das Gerät beschädigen oder einen Brand verursachen.

Stellen Sie keine schweren Gegenstände auf dieses Produkt. Stellen Sie sich nie auf das Produkt und lehnen Sie sich nicht dagegen. Das Gerät kann fallen oder beschädigt werden und dabei Gegenstände beschädigen oder Personen verletzen.

Darauf achten, dass Sie sich bei den folgenden Arbeiten keine Handverletzungen durch die manuelle Schneidvorrichtung zuziehen:

- *Beim Herausnehmen des bedruckten Dokuments*
- *Bei der Durchführung von anderen Arbeiten, wie zum Beispiel beim Einlegen/Herausnehmen der Papierrolle.*

Aus Sicherheitsgründen ziehen Sie bitte den Netzstecker aus der Netzsteckdose wenn Sie beabsichtigen, das Gerät über einen längeren Zeitraum nicht zu verwenden.

Warnschilder

  **VORSICHT:**

Berühren Sie nicht den Thermodruckkopf und dessen Rahmen auf der Seite (wie dargestellt durch einen Kreis in Abbildung **O** auf Seite iv), da dieser nach dem Druck sehr heiß sehr kann.

 **VORSICHT:**

Bei Berührung des manuellen Papierabschneiders besteht Verletzungsgefahr.

Verwendungshinweise

Wenn dieses Produkt für Anwendungen verwendet wird, bei denen es auf hohe Zuverlässigkeit/Sicherheit ankommt, wie z.B. Transportvorrichtungen beim Flug-, Zug-, Schiffs- und Kfz-Verkehr usw., Vorrichtungen zur Katastrophenverhinderung, verschiedene Sicherheitsvorrichtungen oder Funktions-/Präzisionsgerät usw., sollten Sie dieses Produkt erst verwenden, wenn Sie Fail-Safe-Vorrichtungen und Redundanzsysteme in Ihr Design mit einbezogen haben, um die Sicherheit und Zuverlässigkeit des gesamten Systems zu gewährleisten. Da dieses Produkt nicht für den Einsatz bei Anwendungen vorgesehen ist, bei denen es auf extrem hohe Zuverlässigkeit/Sicherheit ankommt, wie beispielsweise in der Raumfahrt, bei primären Kommunikationseinrichtungen, Kernenergiekontrollanlagen oder medizinischen Vorrichtungen für die direkte medizinische Pflege usw., überlegen Sie bitte nach umfassender Evaluierung genau, ob das Produkt für Ihre Zwecke geeignet ist.

Auspacken

Folgende Teile sind im Lieferumfang des Druckers mit Standardspezifikationen enthalten.

Falls eine der Systemkomponenten beschädigt ist, wenden Sie sich bitte an Ihren Fachhändler.

- | | |
|--|---|
| <input type="checkbox"/> Drucker | <input type="checkbox"/> Rollenpapier |
| <input type="checkbox"/> Anschlussabdeckung | <input type="checkbox"/> Netzschalterabdeckung |
| <input type="checkbox"/> Rollenpapierführung | <input type="checkbox"/> Blatt für 58 mm Papierbreite × 2 |
| <input type="checkbox"/> Schraube | <input type="checkbox"/> Netzadapter* |
| <input type="checkbox"/> Netzkabel* | <input type="checkbox"/> Garantiezertifikat* |
| <input type="checkbox"/> Benutzerhandbuch | |

* Möglicherweise nicht im Lieferumfang des Druckers enthalten.

Herunterladen von Treibern, Dienstprogrammen und Handbüchern

Treiber, Dienstprogramme und Handbücher können von folgenden Webadressen heruntergeladen werden.

Für Kunden in Nordamerika: Besuchen Sie die Website
<http://www.epsonexpert.com/> und befolgen Sie die auf dem Bildschirm
angezeigten Anweisungen.

Kunden in anderen Ländern besuchen die Website
<http://download.epson-biz.com/?service=pos>

Teilenamen

Siehe Abbildung **A** auf Seite ii und die Teilenamen auf Seite 8.

Bedienfeld

Betriebsanzeige

Die Betriebsanzeige leuchtet, wenn der Drucker eingeschaltet ist.

Fehleranzeige (Error LED)

Dieses Lämpchen leuchtet, wenn am Gerät ein Fehler aufgetreten ist.

Papieranzeige (Paper LED)

Weist darauf hin, dass das Papier zu Ende geht bzw. gegangen ist. Wenn das
Lämpchen blinkt, befindet sich das Gerät im Bereitschaftsmodus (Standby).

Papiervorschubtaste (Feed)

Schiebt Papier vor.

Horizonte oder vertikale Druckerinstallation

Der Drucker kann horizontal (mit Papierausgang oben) oder vertikal (mit
Papierausgang vorn) mit der optionalen Wandhalterung WH-10 an der Wand
befestigt werden.

WARNUNG:

Bei Befestigung des Druckers an der Wand mit Hilfe der Wandhalterung darauf
achten, dass eine Anschlussabdeckung am Drucker angebracht ist.

Einrichten des Druckers

Um den Drucker einzurichten, befolgen Sie die nachstehenden Schritte.

1. Schließen Sie die Kabel an
2. Bringen Sie die Anschlussabdeckung an.
3. Installieren Sie das Rollenpapier.

Anschließen der Kabel

VORSICHT:

Bei Verwendung einer seriellen Schnittstelle verwenden Sie ein
Nullmodemkabel.

Bei Verwendung einer parallelen Schnittstelle verwenden Sie ein IEEE 1284-
Kabel.

Bei einer USB-Schnittstelle schalten Sie den Drucker erst ein, nachdem Sie die
Druckertreiber installiert haben.

1. Verbinden Sie das Stromkabel, die einzelnen Schnittstellenkabel und das Cash Drawer Cable mit den Anschlüssen auf der Druckerrückseite. Die einzelnen Anschlüsse und ihre Form finden Sie in Abbildung **B** auf Seite ii. (Befestigte Schnittstellen können sich je nach Spezifikation unterscheiden.)
2. Verbinden Sie das Schnittstellenkabel mit dem Computer.
3. Stecken Sie den Netzstecker in eine Steckdose.

Anbringen der Anschlussabdeckung

Befolgen Sie die nachstehenden Schritte für das Anbringen der Anschlussabdeckung zum Schutz der Kabel.

1. Drehen Sie den Drucker um.
2. Positionieren Sie die zwei Halter auf den Seiten der Anschlussabdeckung, damit diese am Druckergehäuse halten, wie dargestellt in Abbildung **C** auf Seite ii.
3. Drücken Sie die Anschlussabdeckung nach unten, damit diese auf das Druckergehäuse einrastet.
4. Führen Sie die einzelnen Kabel durch die Kabelausgänge unten in der Anschlussabdeckung.
5. Drehen Sie den Drucker um und stellen Sie sicher, dass keine Kabel eingeklemmt wurden.

Zum Entfernen der Anschlussabdeckung drehen Sie den Drucker um, drücken Sie die Abdeckung nach unten und die beiden Seiten nach innen, um die Haken der Abdeckung vom Druckergehäuse zu lösen. Siehe Abbildung **D** auf Seite iii.

Einlegen des Rollenpapiers

Befolgen Sie die nachstehenden Schritte für die Installation von Rollenpapier. Wenn Sie über die Rollenpapierführung die Papierbreite ändern möchten, lesen Sie bitte unter "Änderung der Papierbreite" auf Seite 13.

1. Drücken Sie die Taste für das Öffnen der Abdeckung, um die Rollenpapierabdeckung zu öffnen. Siehe Abbildung **E** auf Seite iii.
2. Entfernen Sie die eventuell vorhandenen gebrauchten Rollenpapierhülsen und legen Sie das Rollenpapier ein. Siehe Abbildung **F**. Die korrekte Laufrichtung des Papiers wird in Abbildung **G** dargestellt.
3. Ziehen Sie das Papier etwas heraus und schließen Sie die Rollenpapierabdeckung, wie dargestellt in Abbildung **H**.
4. Reißen Sie das Papier ab, wie in Abbildung **I** dargestellt.

Anbringen der Ein-/Aus-Schalter-Abdeckung

Die beiliegende Netzschalterabdeckung verhindert, dass der Netzschalter versehentlich gedrückt wird. Um diese Abdeckung zu nutzen, installieren Sie diese, wie in Abbildung **J** auf Seite iii dargestellt.

WARNUNG:

Wenn bei angebrachter Netzschalterabdeckung ein Unfall auftritt, sofort den Netzstecker ziehen. Bei Weiterverwendung des Geräts besteht Feuer- und Stromschlaggefahr.

Änderung der Papierbreite

Sie können die Papierbreite von 80 mm auf 58 mm ändern, indem Sie die Rollenpapierführung installieren. Befolgen Sie die nachstehenden Schritte für die Änderung der Papierbreite.

VORSICHT:

Nachdem Sie die Papierbreite von 80 mm auf 58 mm geändert haben, kann diese nicht mehr auf 80 mm zurück geändert werden.

Bei Änderung der Papierbreite müssen außerdem unbedingt die Memory Switches eingestellt werden. Für das Einstellen der Memory Switches verwenden Sie die Software für den TM-T88V.

1. Öffnen Sie die Rollenpapierabdeckung.
2. Installieren Sie die Rollenpapierführung so, dass der Steg auf der Unterseite mit dem Loch rechts vom Papierhalter ausgerichtet ist, wie in Abbildung **K** auf Seite iv dargestellt.
3. Ziehen Sie die inliegende Schraube fest an, um so die Rollenpapierführung zu befestigen.
4. Setzen Sie die zwei beiliegenden Blätter entlang der Rollenpapierführung unterhalb des Rollenpapierhalters ein, wie in Abbildung **L** dargestellt. Stellen Sie sicher, dass der Abstand zwischen der oberen Blattkante und der Nut in der Rollenpapierführung (siehe Punkt **a** in Abbildung) 0,5 mm oder weniger beträgt.
5. Installieren Sie das Rollenpapier korrekt.
6. Schließen Sie die Rollenpapierabdeckung.

Fehlersuche

Auf dem Bedienfeld leuchten keine Lämpchen

Prüfen Sie, ob das Stromversorgungskabel korrekt mit Drucker und Steckdose verbunden ist.

Fehleranzeige leuchtet und kein Druck

- Prüfen Sie, ob die Rollenpapierabdeckung geschlossen ist. Ist diese geöffnet, bitte schließen.
- Leuchtet die Papieranzeige, prüfen Sie die korrekte Installation und den Vorrat des Rollenpapiers.

Fehleranzeige blinkt, aber kein Druck

- Prüfen Sie das Gerät auf Papierstau. Ist ein Papierstau aufgetreten, entfernen Sie das aufgestaute Papier, wie nachstehend beschrieben und installieren Sie das Rollenpapier korrekt.
- Der Druck wird angehalten, wenn der Druckkopf überhitzt und wird automatisch fortgesetzt, sobald er abgekühlt ist.
- Im anderen Fall schalten Sie den Drucker aus und nach 10 Sekunden wieder ein.

Entfernen eines Papierstaus

Tritt ein Papierstau auf, niemals das Papier mit Gewalt herausziehen. Öffnen Sie die Rollenpapierabdeckung und entfernen Sie das gestaute Papier.

  **VORSICHT:**

*Berühren Sie nicht den Thermodruckkopf und dessen Rahmen auf der Seite (wie dargestellt durch einen Kreis **O** auf Seite iv), da dieser nach dem Druck sehr heiß sehr kann.*

Lässt sich die Rollenpapierabdeckung nicht öffnen, befolgen Sie die nachstehenden Schritte.

1. Schalten Sie den Drucker aus.
2. Schieben Sie die Papierschneiderabdeckung nach vorne, um diese zu öffnen, wie dargestellt in Abbildung **M** auf Seite iv.
3. Drehen Sie das Rädchen, bis ein Dreieck in der Öffnung sichtbar ist. Auf diese Weise wird das Messer in die Ausgangsstellung gebracht. Am Papierabschneider befindet sich ein entsprechendes Hinweisschild. Siehe Abb. **N**.
4. Schließen Sie die Abdeckung des Papierabschneiders.
5. Öffnen Sie die Rollenpapierabdeckung, und beseitigen Sie den Papierstau.

Reinigen des Thermokopfes

  **VORSICHT:**

*Nach dem Drucken können der Thermaldruckkopf und der Rahmen auf dessen Seite (dargestellt in dem Kreis in Abbildung **O** auf Seite iv) sehr heiß sein. Den Thermokopf nicht berühren und vor dem Reinigen abkühlen lassen. Um eine Beschädigung des Thermokopfes zu vermeiden, berühren Sie diesen nicht mit den Fingern oder harten Gegenständen.*

Schalten Sie den Drucker aus, öffnen Sie die Rollenpapierabdeckung und reinigen Sie das Thermoelement des Thermokopfes mit einem mit Alkohollösung (Ethanol, Methanol oder IPA) befeuchteten Wattestäbchen. Siehe Abbildung **O** auf Seite iv.

Epson empfiehlt, den Thermokopf regelmäßig zu reinigen (im Allgemeinen alle drei Monate), um die ursprüngliche Druckqualität beizubehalten.

Einstellung der DIP-Schalter

 **VORSICHT:**

Schalten Sie den Drucker aus, bevor Sie die Abdeckung der DIP-Schalter entfernen. Das Entfernen der Abdeckung bei eingeschaltetem Drucker kann zu Problemen führen, wie z. B. ein Kurzschluss, der wiederum zu einer Fehlfunktion des Druckers führt.

1. Schalten Sie den Drucker aus.
2. Drehen Sie den Drucker um.
3. Entfernen Sie die Abdeckung der DIP-Schalter durch das Entfernen der Schraube, wie in Abbildung **P** auf Seite iv abgebildet.
4. Stellen Sie anhand eines feinspitzigen Werkzeugs die DIP-Schalter ein.
5. Bringen Sie die Abdeckung der DIP-Schalter wieder an und schrauben Sie sie mittels der Schraube fest.

Die neue Einstellung wird nach dem Einschalten des Druckers aktiv.

TM-T88V

Gebruikershandleiding

Tabellen voor DIP-schakelaars en specificaties

De tabellen voor de DIP-schakelaars en de technische specificaties staan voor in deze handleiding.

Illustraties

Alle illustraties treft u voor in deze handleiding aan. Ze worden aangeduid door letters (A, B, C . . .). Sommige illustraties bevatten cijfers. Zie de onderstaande lijst voor de betekenis van de cijfers.

Afbeelding A:

1. Papierrolkap
2. Snijderdeksel
3. Aan/uit schakelaar
4. Knop voor openen klep
5. Kap van de aansluiting
6. Bedieningspaneel

Afbeelding C:

7. Haak

Afbeelding K:

8. Gat

Afbeelding L:

9. Bladen voor papier 58 mm breed

Alle rechten voorbehouden. Niets uit deze uitgave mag worden veelevoudigd, opgeslagen in een geautomatiseerd gegevensbestand of openbaar worden gemaakt in enige vorm of op enige wijze, hetzij elektronisch, mechanisch, door fotokopiëren, opnamen of enige andere manier, zonder voorafgaande schriftelijke toestemming van Seiko Epson Corporation. Er wordt geen aansprakelijkheid voor octrooien aanvaard in verband met gebruik van de informatie in deze uitgave. Hoewel bij het samenstellen van deze uitgave de grootste zorgvuldigheid is betracht, aanvaardt Seiko Epson Corporation geen aansprakelijkheid voor fouten of omissies. Noch wordt aansprakelijkheid aanvaard voor schade die voortvloeit uit gebruik van de informatie in deze uitgave.

Noch Seiko Epson Corporation noch een van haar dochterondernemingen kan aansprakelijk worden gesteld door de koper of door derden voor schade, verliezen of kosten die door de koper of derden zijn gemaakt als gevolg van ongelukken, onjuist gebruik of misbruik van dit product of door onbevoegden uitgevoerde modificaties, reparaties of wijzigingen van dit product of (tevens in de VS) het niet in acht nemen van de aanwijzingen voor gebruik en onderhoud van Seiko Epson Corporation.

Seiko Epson Corporation is niet aansprakelijk voor schade of problemen die voortvloeien uit gebruik van andere optionele producten of verbruiksgoederen dan die welke door Seiko Epson Corporation zijn aangemerkt als "originele Epson-producten" of als "door Epson goedgekeurde producten".

EPSON is een gedeponeerd handelsmerk van Seiko Epson Corporation in Japan en andere landen/ gebieden.

BEKENDMAKING: Wijzigingen in de inhoud van deze handleiding onder voorbehoud.

Copyright © 2009 by Seiko Epson Corporation, Nagano, Japan.

WAARSCHUWING

Dit is een product van klasse A. In een residentiële omgeving kan dit product radiostoring veroorzaken; in dat geval zal de gebruiker soms aanvullende maatregelen moeten treffen.

Veiligheidsmaatregelen

Dit gedeelte bevat belangrijke informatie voor veilig en effectief gebruik van dit product. Lees dit gedeelte aandachtig door en bewaar het op een goed toegankelijke plaats.

WAARSCHUWING:

Het apparaat onmiddellijk uitschakelen wanneer het rook, een vreemde geur of ongebruikelijk geluid afgeeft. Doorgaan met gebruik kan leiden tot brand of elektrische schokken. De stekker onmiddellijk uit het stopcontact trekken en contact opnemen met de leverancier of een servicecentrum van Seiko Epson voor advies.

Probeer niet zelf het product te repareren. Onjuist uitgevoerde reparaties kunnen gevaar veroorzaken.

Dit product niet demonteren of wijzigen. Wijzigen van dit product kan letsel of brand veroorzaken.

Ervoor zorgen dat u de juiste voedingsbron gebruikt. Aansluiten op een onjuiste voedingsbron kan brand veroorzaken.

Voorkomen dat er voorwerpen in het apparaat vallen. Binnendringen van vreemde voorwerpen kan brand veroorzaken.

Als er water of andere vloeistoffen in het apparaat terechtkomt, de stekker onmiddellijk uit het stopcontact trekken en contact opnemen met de leverancier of een Seiko Epson servicecentrum voor advies. Doorgaan met gebruik kan leiden tot brand.

Als u het deksel van de DIP-schakelaars opent, mag u niet vergeten dit weer te sluiten en de schroef aan te draaien nadat u de DIP-schakelaar versteld hebt. Gebruik van dit product terwijl dit deksel open is, kan brand of elektrische schokken veroorzaken.

Geen spuitbussen met brandgevaarlijk gas in of bij dit product gebruiken. Dat kan brand veroorzaken.

LET OP:

De kabels niet op een andere wijze aansluiten dan als vermeld in deze handleiding. Een andere wijze van aansluiting kan apparatuurschade of brand veroorzaken.

Dit apparaat moet op een stevige, stabiele en horizontale ondergrond geplaatst worden. Het product kan beschadigd raken of ongelukken veroorzaken als het valt.

Niet gebruiken op plaatsen met een hoge vochtigheidsgraad of veel stof. Overmatig vocht en/of stof kan apparatuurschade of brand tot gevolg hebben.

Geen zware voorwerpen boven op dit product plaatsen. Nooit op dit product gaan staan of leunen. De apparatuur kan defect raken of in elkaar klappen, wat breuk en eventueel letsel kan veroorzaken.

Wees voorzichtig dat u uw vingers niet bezeert aan de handmatige snijder

- Wanneer u afgedrukt papier verwijdert
- Wanneer u andere handelingen uitvoert zoals het plaatsen/ vervangen van de papierrol

Om ongelukken te voorkomen altijd de stekker van dit product uit het stopcontact trekken als u het langere tijd niet gebruikt.

Waarschuwingsetiketten

  **LET OP:**

Raak de thermische kop en het frame aan de zijkant (aangegevens in de cirkel in afbeelding O op pagina iv) niet aan omdat deze na het afdrukken heel warm kan zijn.

 **LET OP:**

Raken van de handmatige papiersnijder kan letsel veroorzaken.

Gebruiksbeperkinge

Wanneer dit product gebruikt wordt voor toepassingen die een hoge mate van betrouwbaarheid/veiligheid vereisen zoals bijv. transportapparatuur voor vliegtuigen, treinen, schepen, auto's enz.; ramppreventievoorzieningen; diverse soorten beveiligingsapparatuur enz.; of functionele/precisie-apparatuur, mag u dit product alleen gebruiken indien uw ontwerp voorziet in redundantie en fail-safes ten einde de veiligheid en betrouwbaarheid van het complete systeem te waarborgen. Omdat dit product niet bestemd is voor toepassingen die een uitermate hoge mate van betrouwbaarheid/veiligheid vereisen zoals luchtvaartapparatuur, primaire communicatieapparatuur, regelapparatuur voor kerninstallaties of medische apparatuur voor directe medische zorg, wordt u geacht uw eigen oordeel te hanteren aangaande de geschiktheid van dit product, op basis van grondige evaluatie.

Uitpakken

De printer met standaard specificaties omvat de volgende items.
Neem contact op met de leverancier als er onderdelen beschadigd zijn.

- | | |
|--|---|
| <input type="checkbox"/> Printer | <input type="checkbox"/> Rolpapier |
| <input type="checkbox"/> Connectorkap | <input type="checkbox"/> Deksel voor stroomschakelaar |
| <input type="checkbox"/> Papierrolgeleider | <input type="checkbox"/> Blad voor papier 58 mm breed × 2 |
| <input type="checkbox"/> Schroef | <input type="checkbox"/> Netspanningsadapter* |
| <input type="checkbox"/> Netsnoer* | <input type="checkbox"/> Garantiekaart* |
| <input type="checkbox"/> Gebruikershandleiding | |

* Soms niet met de printer meegeleverd.

Downloaden van stuur- en hulpprogramma's en gebruiksaanwijzingen

Stuur- en hulpprogramma's en gebruiksaanwijzingen kunnen van een van de volgende URL's gedownload worden.

Klanten in Noord-Amerika kunnen gebruik maken van de volgende website:
<http://www.epsonexpert.com/> en de instructies op het scherm volgen.

Klanten in andere landen kunnen gebruik maken van de volgende website:
<http://download.epson-biz.com/?service=pos>

Namen van onderdelen

Zie afbeelding **A** op pagina ii en de namen van de onderdelen op pagina 15.

Bedieningspaneel

Aan/Uit-lampje

Dit lampje brandt als de printer aanstaat.

Error-lampje

Geeft aan dat er een fout is.

Papier-led

Geeft aan dat het papier bijna of helemaal op is. Knippen geeft de stand-by modus aan.

Feed-knop

Deze knop voert het papier in.

Horizontale of verticale installatie van de printer

U kunt de printer horizontaal op een plat oppervlak installeren (met de papieruitvoer naar boven) of verticaal (met de papieruitvoer naar voren) door hem aan de muur te hangen, met gebruik van de afzonderlijk te bestellen beugelset WH-10.

WAARSCHUWING:

Vergeet wanneer u de printer met de beugelset op de wand monteert niet om een connectorkap op de printer te bevestigen.

De printer instellen

Ga als volgt te werk om de printer in te stellen.

1. Sluit de kabels aan.
2. Zet de kap van de aansluiting vast.
3. Plaats de papierrol.

De kabels aansluiten

LET OP:

Gebruik voor een seriële verbinding een null-modemkabel.

Gebruik voor een parallelle verbinding een IEEE 1284-kabel.

Schakel bij een USB-interface de printer nog niet in voordat u het stuurprogramma van de printer hebt geïnstalleerd.

1. Sluit het netsnoer, elke interfacekabel en de kabel voor de kassalade aan op de aansluitingen achterop de printer. Zie afbeelding **B** op pagina ii voor de vorm van elke aansluiting. (De geïnstalleerde interfaces kunnen per specificatie verschillen.)
2. Sluit de interfacekabel op de computer aan.
3. Steek de stekker van het netsnoer in het stopcontact.

De kap van de aansluitingen plaatsen

Ga als volgt te werk om de kap van de aansluitingen te plaatsen om de kabels te beschermen.

1. Schakel de printer in.
2. Plaats de twee haken aan weerszijden van de kap zodat deze in de behuizing van de printer haakt, als in afbeelding **C** op pagina ii.
3. Druk de kap omlaag zodat deze op de behuizing van de printer klikt.
4. Geleid elke kabel door de kabelopeningen onderin de kap.
5. Keer de printer om en controleer of de kabels niet klem komen.

Om de connectorkap te verwijderen, keert u de printer om en duwt u de connectorkap omlaag terwijl u de zijkanten van de connectorkap naar binnen duwt om de haakjes van de printerkast los te halen. Zie afbeelding **D** op pagina iii.

Installeren van rolpapier

Ga als volgt te werk om de papierrol te plaatsen. Zie "De papierbreedte wijzigen" p pagina 19 als u de breedte van het papier wilt veranderen met de papierrolgeleider.

1. Druk op de knop om de papierrolkap te openen. Zie afbeelding **E** op pagina iii.
2. Verwijder eventueel het binnenste van de gebruikte papierrol en plaats de papierrol. Zie afbeelding **F**. De juiste richting van het papier wordt getoond in afbeelding **G**.
3. Trek wat papier naar buiten en sluit de papierrolkap als in afbeelding **H**.
4. Scheur het papier af als in afbeelding **I**.

De kap over de aan/uitschakelaar plaatsen

U kunt het meegeleverde deksel voor de stroomschakelaar gebruiken om te voorkomen dat er per ongeluk op de knop wordt gedrukt. Om deze kap te gebruiken, moet u hem installeren als in afbeelding **J** op pagina iii.

WAARSCHUWING:

Als er zich een ongeluk voordoet terwijl het deksel van de aan/uitknop is aangebracht, moet u onmiddellijk het voedingsnoer uit het stopcontact trekken. Verder gebruik kan brand of elektrische schokken veroorzaken.

De papierbreedte wijzigen

U kunt de papierbreedte veranderen van 80 mm tot 58 mm door de papierrolgeleider te installeren. Volg de onderstaande stappen om de papierbreedte te wijzigen.

LET OP:

Nadat u de papierbreedte hebt gewijzigd van 80 mm tot 58 mm, kunt u niet terugkeren naar 80 mm.

Zorg er bij het veranderen van de papierbreedte voor dat u de instelling voor de papierbreedte opgeeft met de geheugenschakelaars. Gebruik voor het instellen van de geheugenschakelaars het hulpprogramma voor de TM-T88V.

1. Open de papierrolkap.

2. Installeer de papierrolgeleider zodat het uitsteeksel op de onderkant in lijn is met het gat aan de rechterkant van de papierrolhouder als in afbeelding **K** op pagina iv.
3. Draai de schoef aan om de papierrolgeleider vast te zetten.
4. Plak de meegeleverde 2 bladen langs de papierrolgeleider op de bodem van de papierrolhouder als in afbeelding **L**.
Controleer of de ruimte tussen de bovenrand van het blad en de lijn in de groef in de papierrolgeleider (aangegeven met de letter "a" in de afbeelding) 0,5 mm of minder is.
5. Plaats de papierrol op de juiste manier.
6. Sluit de papierrolkap.

Probleemoplossing

Lichtjes op het bedieningspaneel branden niet

Controleer of het netsnoer goed is aangesloten op de printer en het stopcontact.

Error-lampje aan zonder dat wordt afgedrukt

- Controleer of de papierrolkap is gesloten. Als deze open staat, moet u hem sluiten.
- Als het papier-lampje oplicht, moet u controleren of de rol papier goed is geplaatst en of er nog papier aanwezig is.

Error-lampje knippert zonder dat wordt afgedrukt

- Controleer of het papier is vastgelopen. Als het papier is vastgelopen, moet u het vastgelopen papier verwijderen aan de hand van de onderstaande beschrijving en de papierrol correct plaatsen.
- Het afdrukken stopt als de kop oververhit raakt en gaat automatisch door als deze weer afkoelt.
- Schakel in andere gevallen de printer uit en na 10 seconden weer aan.

Verwijderen van vastgelopen papier

Als papier vastloopt, moet u het papier nooit met kracht naar buiten trekken. Open de papierrolkap en verwijder het vastgelopen papier.

LET OP:

*Raak de thermische kop en het frame aan de zijkant (aangegevens in de cirkel in afbeelding **O** op pagina iv) niet aan omdat deze na het afdrukken heel warm kan zijn.*

Als de papierrolkap niet opent, volg dan de onderstaande stappen:

1. Schakel de printer uit.
2. Schuif het snijderdeksel naar voren om het te openen, zoals getoond in afbeelding **M** op pagina iv.
3. Draai aan de knop totdat u een driehoekje ziet in de opening. Hierdoor wordt het snijmes teruggezet naar de normale positie. Naast de papiersnijder ziet u een etiket met aanwijzingen. Zie afbeelding **N**.
4. Sluit het deksel van de papiersnijder.
5. Open de papierrolkap en verwijder het vastgelopen papier.

Reinigen van de thermische kop

  **LET OP:**

Na het afdrukken kunnen de thermische kop en het frame daarnaast (aangegeven in de cirkel in illustratie **O** op pagina iv) heel warm worden. Raak hem niet aan en wacht totdat hij is afgekoeld voordat u hem schoonmaakt. Beschadig de thermische kop niet door hem met uw vingers of harde voorwerpen aan te raken.

Zet de printer uit, open de papierrolkap en maak het verwarmingselement van de thermische kop schoon met een wattenstaafje dat in een alcoholoplosmiddel is gedrenkt (ethanol, methanol of isopropanol). Zie afbeelding **O** op pagina iv.

Epson beveelt aan de thermische kop regelmatig (gewoonlijk om de drie maanden) te reinigen om een goede afdrukkwaliteit te behouden.

De DIP-schakelaars instellen

 **LET OP:**

Zorg ervoor dat de printer is uitgeschakeld voordat u de kap over de DIP-schakelaars verwijdert. Als u deze verwijdert terwijl de printer is ingeschakeld, kan dit problemen opleveren zoals kortsluiting, wat een defect in de printer kan veroorzaken.

1. Schakel de printer uit.
2. Draai de printer om.
3. Verwijder de kap over de DIP-schakelaars door de schroef te verwijderen, als in afbeelding **P** op pagina iv.
4. Stel de DIP-schakelaars in met een puntig voorwerp.
5. Plaats de kap over de DIP-schakelaars terug en zet hem vast door de schroef aan te draaien.

De nieuwe instelling wordt gebruikt zodra de printer is ingeschakeld.

TM-T88V

Manuel de l'utilisateur

Tableaux et spécifications de micro-interrupteurs DIP

Les tableaux et spécifications techniques de micro-interrupteurs DIP figurent au début de ce manuel.

Illustrations

Toutes les illustrations se trouvent au début de ce manuel. Elles sont identifiées par des lettres (A, B, C...). Certaines des illustrations comportent des chiffres. Voir la liste ci-dessous pour la signification de ces chiffres.

Illustration A:

1. Couvercle du rouleau de papier
2. Capot du coupe-papier
3. Interrupteur marche-arrêt
4. Bouton d'ouverture du capot
5. Cache-connecteurs
6. Panneau de commande

Illustration C:

7. Crochet

Illustration K:

8. Trou

Illustration L:

9. Feuilles pour largeur de papier 58 mm

Tous droits réservés. Sauf autorisation écrite préalable de Seiko Epson Corporation, la reproduction, le stockage dans un système de rappel de données et la transmission sous quelque forme ou par quelque moyen que ce soit (électronique, mécanique, par photocopie, enregistrement, etc...) d'une partie quelconque de la présente publication sont interdits. La société décline toute responsabilité relative à l'exploitation des informations contenues dans le présent document. Cet ouvrage a été rédigé avec le plus grand soin ; toutefois, Seiko Epson décline toute responsabilité pour les erreurs et omissions qu'il pourrait contenir, ainsi que pour tous dommages résultant de l'exploitation des informations qu'il contient.

La responsabilité de Seiko Epson Corporation ou de ses filiales ne saurait être engagée envers l'acheteur de ce produit ou envers des tiers pour dommages, pertes, frais ou débours encourus par ceux-ci par suite d'accident ou d'utilisation erronée ou abusive de ce produit, de modification, réparation ou transformation non autorisée de celui-ci, ou (à l'exclusion des Etats-Unis), de toute utilisation du produit qui n'est pas strictement conforme aux instructions d'utilisation et de maintenance de Seiko Epson Corporation.

Seiko Epson Corporation décline toute responsabilité pour dommages ou problèmes découlant de l'utilisation de tous articles en option ou de toutes fournitures consommables autres que celles désignée produit d'origine Epson ou produit approuvé Epson par Seiko Epson Corporation.

EPSON est une marque déposée de Seiko Epson Corporation au Japon et dans d'autres pays/régions.

REMARQUE : Les informations contenues dans ce manuel sont sujettes à modification sans préavis.

Copyright © 2009 par Seiko Epson Corporation, Nagano, Japon.

AVERTISSEMENT

Cet appareil est un produit de classe A. Dans un environnement résidentiel, il risque de provoquer un brouillage radio, auquel cas l'utilisateur pourra être tenu de prendre des mesures adéquates.

Consignes de sécurité

Cette section présente des informations importantes relatives à l'utilisation efficace et sans danger de ce produit. On voudra bien la lire attentivement et la conserver à portée de main.

⚠ AVERTISSEMENT :

Mettre immédiatement l'équipement hors tension s'il dégage de la fumée ou une odeur étrange ou s'il émet des bruits inhabituels. En persistant à l'utiliser dans ces circonstances, on risquerait de provoquer un incendie. Débrancher immédiatement l'équipement et contacter le distributeur ou un centre de service Seiko Epson pour demander conseil.

Ne jamais essayer de réparer ce produit soi-même. Toute réparation erronée peut être dangereuse.

Ne jamais démonter ou modifier ce produit. Les interventions intempestives peuvent provoquer des blessures ou des incendies.

Vérifier que la source d'alimentation électrique est conforme aux spécifications. Toute connexion à une source d'alimentation non conforme peut provoquer un incendie.

Ne pas laisser tomber de corps étrangers dans l'équipement. La pénétration de corps étrangers peut provoquer un incendie.

En cas de pénétration d'eau ou d'un autre liquide renversé dans l'équipement, débrancher immédiatement le cordon d'alimentation et contacter le distributeur ou un centre de service Seiko Epson pour demander conseil. En persistant à utiliser l'équipement dans ces circonstances, on risquerait de provoquer un incendie.

Si le cache du micro-interrupteur DIP est ouvert, s'assurer de le fermer et de bien serrer la vis après avoir réglé le micro-interrupteur. L'utilisation de ce produit avec le cache ouvert peut provoquer un incendie ou un choc électrique.

Ne pas utiliser de bombes à aérosol contenant un gaz inflammable à l'intérieur ou à proximité de ce produit. Cela pourrait entraîner un incendie.

⚠ ATTENTION :

Se conformer strictement aux instructions relatives à la connexion de câbles du présent manuel. Tout écart peut provoquer l'endommagement de l'équipement ou un incendie.

Veiller à poser cette unité sur une surface horizontale ferme et stable. Toute chute du produit peut casser celui-ci ou occasionner des blessures.

Ne pas utiliser le produit dans des endroits très poussiéreux ou exposés à une forte humidité. Toute humidité ou poussière excessive peut provoquer l'endommagement de l'équipement ou un incendie.

Ne pas poser d'objets lourds sur ce produit. Ne jamais s'y appuyer ou monter dessus. L'équipement pourrait tomber ou s'affaisser, et se casser ou causer des blessures.

Prenez garde de ne pas vous couper les doigts au couteau manuel

- *En retirant le papier imprimé*
- *Lors d'autres opérations comme le chargement/remplacement du rouleau de papier*

Pour plus de sécurité, débrancher ce produit lorsqu'il ne doit pas servir pendant une période de temps prolongée.

Étiquettes de mise en garde

ATTENTION :

Ne touchez pas la tête thermique ou son cadre (indiqué par le cercle dans l'illustration **O** de la page iv) car elle peut être très chaude après une impression.

ATTENTION :

Toucher le coupe-papier peut entraîner des blessures.

Restrictions d'emploi

En cas d'utilisation de ce produit pour des applications exigeant une grande fiabilité/sécurité, telles qu'appareils employés en transport aérien, ferroviaire, maritime, automobile, etc., appareils de prévention des catastrophes, divers appareils de sécurité, etc., ou appareils de fonction/précision, vous devez, avant d'utiliser ce produit, considérer l'incorporation à votre système de dispositifs de sécurité positive et de moyens redondants assurant la sécurité et la fiabilité de l'ensemble du système. Étant donné que ce produit n'est pas destiné aux applications exigeant une fiabilité/sécurité extrême, telles que matériel aérospatial, matériel de communications principal, matériel de commande nucléaire ou matériel de soins médicaux directs, etc., vous devez, après totale évaluation, décider si ce produit convient.

Déballage

Les éléments suivants sont fournis avec l'imprimante standard.
Contacter le revendeur si l'un d'entre eux est endommagé.

- | | |
|---|--|
| <input type="checkbox"/> Imprimante | <input type="checkbox"/> Rouleau de papier |
| <input type="checkbox"/> Cache de connecteur | <input type="checkbox"/> Cache d'interrupteur |
| <input type="checkbox"/> Capot du rouleau de papier | <input type="checkbox"/> Feuilles pour largeur de papier 58 mm × 2 |
| <input type="checkbox"/> Vis | <input type="checkbox"/> Adaptateur secteur* |
| <input type="checkbox"/> Câble secteur* | <input type="checkbox"/> Certificat de garantie* |
| <input type="checkbox"/> Manuel de l'utilisateur | |

* Peut ne pas être compris avec l'imprimante.

Téléchargement des pilotes, utilitaires et manuels

Il est possible de télécharger les pilotes, utilitaires et manuels à partir de l'une des URL suivantes.

En Amérique du Nord, accédez au site web suivant :

<http://www.epsonexpert.com/> et suivez les instructions qui s'affichent à l'écran.

Dans les autres pays, accédez au site web suivant :

<http://download.epson-biz.com/?service=pos>

Précautions à suivre lors de l'installation du couvercle d'alimentation

Une description des normes EMI figure sur le dessous de l'imprimante. Lorsque le couvercle d'alimentation optionnel (OT-BX88V) est installé, cette description est difficile à voir. Dans ce cas, retirez le couvercle d'alimentation le cas échéant.

Désignations des éléments

Reportez-vous à l'illustration **A** de la page ii et aux désignations des éléments de la page 22.

Panneau de commande



Voyant d'alimentation

Ce voyant s'allume lorsque l'imprimante est en marche.

Voyant d'erreur (Error)

Ce voyant indique une erreur.

Voyant Papier (Paper)

Ce voyant s'allume quand le rouleau de papier arrive ou presque à la fin. Il clignote pour indiquer que l'imprimante est en mode d'attente.

Bouton d'avance papier (Feed)

Ce bouton sert à faire avancer le papier.

Installation horizontale ou verticale de l'imprimante

L'imprimante peut être installée à l'horizontale sur une surface plane (sortie papier en haut) ou à la verticale (sortie papier à l'avant) en l'accrochant à un mur au moyen du jeu de supports muraux WH-10 offert en option.



AVERTISSEMENT :

Lorsque l'imprimante est suspendue au mur avec le jeu de supports muraux, s'assurer d'installer un cache de connecteur sur l'imprimante.

Installation de l'imprimante

Pour installer l'imprimante, suivez la procédure décrite ci-après :

1. Branchez les câbles.
2. Mettez le cache-connecteurs en place.
3. Installez le rouleau de papier.

Branchement des câbles



ATTENTION :

Dans le cas d'une interface série, utilisez un câble null modem.

Dans le cas d'une interface parallèle, utilisez un câble IEEE 1284.

Dans le cas d'une interface USB, ne pas mettre l'imprimante sous tension avant d'avoir installé le pilote correspondant.

1. Branchez le cordon d'alimentation, le câble de chaque interface et le câble du tiroir-caisse aux connecteurs situés à l'arrière de l'imprimante. Pour connaître la forme de chaque connecteur, reportez-vous à l'illustration **B** de la page ii. (Les interfaces montées varient selon les spécifications.)
2. Reliez le câble de l'interface à l'ordinateur.
3. Branchez le cordon d'alimentation à une prise électrique.

Fixation du cache-connecteurs

Suivez la procédure décrite ci-après pour fixer le cache-connecteurs protégeant les câbles.

1. Retournez l'imprimante.
2. Placez les deux crochets de chaque côté du cache de sorte à les fixer au boîtier de l'imprimante, comme indiqué dans l'illustration **C** de la page ii.
3. Abaissez le cache-connecteurs jusqu'à ce qu'il se clipse au boîtier de l'imprimante.
4. Passez chaque câble dans les sorties correspondantes au bas du cache-connecteurs.
5. Retournez l'imprimante et vérifiez que les câbles ne sont pas trop serrés.

Pour enlever le cache de connecteur, retourner l'imprimante, et pousser le cache de connecteur vers le bas, tout en poussant les deux côtés du connecteur vers l'intérieur pour décrocher les crochets du boîtier de l'imprimante. Voir l'illustration **D** de la page iii.

Installation du rouleau de papier

Suivez la procédure décrite ci-après pour installer le rouleau de papier. Si vous souhaitez modifier la largeur du papier à l'aide du guide du rouleau de papier, reportez-vous à la section "Modification de la largeur du papier" de la page 26.

1. Appuyez sur le bouton du couvercle du rouleau de papier pour ouvrir celui-ci. Reportez-vous à l'illustration **E** de la page iii.
2. Retirez le cylindre du rouleau de papier épuisé le cas échéant puis insérez le rouleau de papier. Reportez-vous à l'illustration **F**. Le sens d'insertion du papier est indiqué dans l'illustration **G**.
3. Tirez un peu de papier et refermez le couvercle du rouleau de papier comme indiqué dans l'illustration **H**.
4. Déchirez le papier, comme indiqué dans l'illustration **I**.

Fixation du cache de l'interrupteur marche-arrêt

Le cache d'interrupteur fourni empêche tout actionnement accidentel de l'interrupteur marche-arrêt. Pour utiliser ce cache, installez-le comme indiqué dans l'illustration **J** de la page iii.

AVERTISSEMENT :

En cas d'accident alors que le cache d'interrupteur est en place, débrancher immédiatement le cordon d'alimentation. Il existe sinon des risques d'incendie ou de choc électrique.

Modification de la largeur du papier

Vous pouvez changer la largeur du papier de 80 à 58 mm en installant le guide du rouleau de papier. Suivez les étapes suivantes pour changer la largeur du papier.

ATTENTION :

Après avoir changé la largeur du papier de 80 à 58 mm, vous ne pouvez plus la changer de 58 à 80 mm.

Si vous modifiez la largeur du papier, veillez à paramétrer la largeur de papier à l'aide des boutons Memory. Pour paramétrer les boutons Memory, utilisez l'utilitaire de la TM-T88V.

1. Ouvrez le couvercle du rouleau de papier.
2. Placez le guide du rouleau de papier de sorte que l'ergot à sa base soit aligné avec le trou situé à droite du porte-rouleau, comme indiqué dans l'illustration **K** de la page iv.
3. Serrez la vis fournie pour fixer le guide du rouleau de papier.
4. Collez les deux feuilles fournies le long du guide à la base du porte-rouleau, comme indiqué dans l'illustration **L**.
Assurez-vous que l'espace entre le côté supérieur de la feuille et la ligne de la rainure dans le guide du rouleau de papier (indiqués comme **a** dans l'illustration) ne dépasse pas 0,5 mm.
5. Installer correctement le rouleau de papier.
6. Refermez le couvercle du rouleau de papier.

Dépannage

Aucun témoin du panneau de commande ne s'allume

Vérifiez que le câble d'alimentation est relié à l'imprimante et à une prise électrique.

Voyant d'erreur (Error) allumé en l'absence d'impression

- Vérifiez que le couvercle du rouleau de papier est fermé. S'il est ouvert, fermez-le.
- Si le voyant Papier (Paper) est allumé, vérifiez que le rouleau de papier est placé correctement et qu'il reste du papier.

Voyant d'erreur (Error) clignotant en l'absence d'impression

- Vérifiez qu'il n'y a pas de bourrage papier. Si du papier est coincé, retirez-le en suivant la procédure décrite ci-après et placez correctement le rouleau de papier.
- L'impression s'arrête si la tête surchauffe puis reprend une fois que celle-ci a refroidi.
- Si aucune surchauffe n'est à l'origine de l'arrêt, mettez l'imprimante hors tension, patientez 10 secondes, puis remettez-la sous tension.

Dégagement d'un bourrage de papier

En cas de bourrage de papier, ne retirez jamais le papier en exerçant une quelconque force. Ouvrez le couvercle du rouleau de papier et retirez le papier à l'origine du bourrage.

ATTENTION :

Ne touchez pas la tête thermique ou son cadre (indiqué par le cercle dans l'illustration **O** de la page iv) car elle peut être très chaude après une impression.

Si le couvercle du rouleau de papier ne s'ouvre pas, suivez la procédure décrite ci-après :

1. Mettez l'imprimante hors tension.
2. Faites glisser le capot du coupe-papier vers l'avant pour l'ouvrir comme indiqué dans l'illustration **M** de la page iv.
3. Tourner le bouton jusqu'à ce qu'un triangle apparaisse dans l'orifice. Ceci remet la lame du coupe-papier en place à sa position normale. Au besoin, consulter l'étiquette apposée près du coupe-papier. Voir l'illustration **N**.
4. Refermer le capot du coupe-papier.
5. Ouvrir le capot du rouleau de papier et retirer le papier à l'origine du bourrage.

Nettoyage de la tête thermique d'impression

ATTENTION :

*Après une impression, la tête thermique et son cadre (indiqué par le cercle dans l'illustration **O** de la page iv) peuvent être très chauds. Veillez à ne pas toucher la tête thermique et à la laisser refroidir avant de la nettoyer. Évitez de la manipuler avec vos doigts ou un objet dur afin de ne pas l'endommager.*

Mettez l'imprimante hors tension, ouvrez le capot du rouleau de papier, et nettoyez les éléments thermiques de la tête d'impression avec un coton-tige humecté d'un solvant à l'alcool (éthanol, méthanol ou alcool isopropylique). Reportez-vous à l'illustration **O** de la page iv.

Epson recommande de nettoyer la tête thermique à intervalles réguliers (tous les trois mois généralement) afin de maintenir la qualité d'impression des reçus.

Installation des micro-interrupteurs DIP

ATTENTION :

Veillez à mettre l'imprimante hors tension avant de retirer le cache des micro-interrupteurs DIP. Si vous le retirez alors que l'imprimante est sous tension, des problèmes tels qu'un court-circuit peuvent se produire, provoquant un dysfonctionnement de l'imprimante.

1. Mettez l'imprimante hors tension.
 2. Retournez l'imprimante.
 3. Retirez le cache des micro-interrupteurs DIP en déposant la vis comme indiqué dans l'illustration **P** de la page iv.
 4. Installez les micro-interrupteurs DIP à l'aide d'un outil à pointe fine.
 5. Remplacez le cache des micro-interrupteurs DIP et fixez-le à l'aide de la vis.
- Cette installation sera prise en compte après une remise sous tension de l'imprimante.

TM-T88V

Manual do utilizador

Tabelas e especificações dos comutadores DIP

As tabelas e especificações técnicas dos comutadores DIP encontram-se na parte inicial deste manual.

Ilustrações

Todas as ilustrações encontram-se na parte inicial deste manual. Identificam-se com letras (A, B, C . . .). Algumas contêm números. Consulte a relação abaixo para obter o significado dos números.

Ilustração A:

1. Tampa do papel em rolo
2. Tampa do cortador
3. Interruptor de alimentação
4. Botão para a abertura da tampa
5. Tampa do conector
6. Painel de controlo

Ilustração C:

7. Gancho

Ilustração K:

8. Orifício

Ilustração L:

9. Folhas para 58 mm de largura do papel

Todos os direitos reservados. Esta publicação não pode ser integral ou parcialmente reproduzida, arquivada nem transmitida por meio de fotocópias, gravação ou qualquer outro sistema mecânico ou electrónico, sem a prévia autorização por escrito da Seiko Epson Corporation, que não assume qualquer responsabilidade de patente no que diz respeito ao uso das informações aqui contidas. Uma vez que foram tomadas todas as precauções na elaboração deste manual, a Seiko Epson Corporation não se responsabiliza por erros ou omissões, nem por quaisquer danos resultantes do uso das informações aqui contidas.

O comprador deste produto ou terceiros não podem responsabilizar a Seiko Epson Corporation, ou as suas filiais, por quaisquer danos, perdas, custos ou despesas, incorridos por ele ou por terceiros, resultantes de acidentes, abusos ou má utilização do produto, de modificações não autorizadas, reparações ou alterações do produto, ou resultantes ainda da inobservância estrita das instruções de utilização e manutenção estabelecidas pela Seiko Epson Corporation.

A Seiko Epson Corporation não se responsabiliza por quaisquer avarias ou problemas provocados pela utilização de opções ou produtos não reconhecidos como sendo produtos genuínos Epson ou produtos aprovados pela Epson.

EPSON é marca registada da Seiko Epson Corporation no Japão e noutros países/regiões.

AVISO: O conteúdo deste manual está sujeito a alterações sem aviso prévio.

© 2009, Seiko Epson Corporation, Nagano, Japão.

IMPORTANTE

Este é um produto de Classe A. Num ambiente doméstico, este produto poderá causar interferência de rádio. Nesse caso, o utilizador poderá ter de tomar medidas adequadas.

Instruções de segurança

Esta secção contém informações importantes sobre como utilizar este produto de uma forma eficaz e segura. Leia estas instruções e guarde-as num local acessível para que as possa consultar sempre que necessário.

⚠ ATENÇÃO:

Se o equipamento emitir fumo, um odor estranho ou um ruído invulgar, desligue-o imediatamente. Se o continuar a utilizar, poderá provocar um incêndio ou um choque eléctrico. Desligue imediatamente o equipamento da tomada e contacte o Serviço de Assistência a Clientes Epson.

Nunca tente reparar este produto; as reparações indevidas podem tornar-se perigosas.

Nunca desmonte ou modifique este produto; caso contrário pode ferir-se, provocar um incêndio ou um choque eléctrico.

Utilize a fonte de energia especificada; caso contrário, poderá provocar um incêndio ou um choque eléctrico.

Não insira objectos estranhos no interior do equipamento; caso contrário, poderá provocar um incêndio ou um choque eléctrico.

Se derramar água ou outro líquido no equipamento, desligue o cabo de corrente imediatamente e contacte o Serviço de Assistência a Clientes Epson. Se continuar a utilizar o equipamento, poderá provocar um incêndio ou um choque eléctrico.

Se abrir a tampa do comutador DIP, não se esqueça de fechá-la e de apertar o parafuso depois de ajustar o comutador DIP. A utilização deste produto com a tampa aberta pode resultar num incêndio ou choque eléctrico.

Não utilize aspersores aerossóis que contenham gás inflamável no interior ou em torno deste produto, pois isto pode causar incêndio.

⚠ IMPORTANTE:

Ao ligar os cabos, siga estritamente as instruções do manual. Diferentes ligações podem danificar ou queimar o equipamento.

Instale o equipamento numa superfície firme, plana e estável, para evitar que o equipamento caia e fique danificado ou cause ferimentos.

Evite locais sujeitos a níveis de humidade e elevados e com demasiado pó. Humidade e pó em excesso podem danificar o equipamento, provocar um incêndio ou um choque eléctrico.

Não coloque objectos pesados em cima deste produto. Não se sente nem se apoie em cima do produto. O equipamento pode cair ou ceder e partir ou provocar ferimentos.

Tome cuidado em não ferir os seus dedos no cortador manual quando Você:

- *Remove papel impresso*
- *Executa outras atividades como carga / substituição de rolo de papel*

Para maior segurança, desligue este produto se não o for utilizar durante um longo período.

Etiquetas de aviso

IMPORTANTE:

Não toque na cabeça térmica e no quadro do seu lado (indicado no círculo da ilustração **O**, na página iv) porque pode estar muito quente após a impressão.

IMPORTANTE:

Tocar o cortador manual pode resultar numa lesão.

Restrições quanto à utilização

Quando este produto for utilizado em aplicações que requeiram alta fiabilidade/segurança, como por exemplo dispositivos de transporte relacionados a aviação, carris, por via marítima, automotiva, etc.; dispositivos para a prevenção de desastres; vários dispositivos de segurança, etc.; ou dispositivos funcionais/de precisão, etc., deve-se utilizá-lo apenas após considerar-se adequadamente a inclusão de protecção contra falhas e de redundâncias no seu projecto de forma a manterem-se a segurança e a total fiabilidade do sistema. Como este produto não se destina à utilização em aplicações que requeiram fiabilidade/segurança extremamente altas, como equipamentos aeroespaciais, equipamentos de base para comunicações, equipamentos para o controlo de energia nuclear, ou equipamentos médicos relacionados a cuidados médicos directos, etc., queira tomar a sua própria decisão sobre a adequação deste produto após uma avaliação completa.

Desembalagem

Os itens em baixo estão inclusos com a impressora de especificação standard. Caso algum item esteja danificado, contacte o seu revendedor.

- | | |
|--|---|
| <input type="checkbox"/> Impressora | <input type="checkbox"/> Papel em rolo |
| <input type="checkbox"/> Tampa do conector | <input type="checkbox"/> Tampa do interruptor de alimentação |
| <input type="checkbox"/> Guia do papel em rolo | <input type="checkbox"/> Folha para 58 mm de largura do papel × 2 |
| <input type="checkbox"/> Parafuso | <input type="checkbox"/> Adaptador AC* |
| <input type="checkbox"/> Cabo AC* | <input type="checkbox"/> Certificado de garantia* |
| <input type="checkbox"/> Manual do utilizador | |

* Este item pode não estar incluso com a sua impressora.

Download de Drivers, Utilitários e Manuais

Pode-se fazer o download dos drivers, utilitários e manuais a partir de um dos URL abaixo.

Para clientes na América do Norte, visitar o seguinte sítio da web:
<http://www.epsonexpert.com/> e seguir as instruções no écran.

Para clientes noutros países, visitar o seguinte sítio da web:
<http://download.epson-biz.com/?service=pos>

Nomes das peças

Ver a ilustração **A**, na página ii e os nomes das peças na página 29.

Painel de controlo

Indicador luminoso de ligação

Este indicador acende quando a impressora está ligada.

Indicador luminoso de erro (Error)

Este indicador assinala um erro.

Indicador luminoso do papel (Paper)

Quando aceso, indica falta de papel ou que o papel está prestes a terminar.

Quando pisca, indica modo de espera.

Tecla de alimentação (Feed)

Esta tecla alimenta o papel.

Instalação da impressora horizontal ou verticalmente

A impressora pode ser instalada horizontalmente sobre uma superfície plana (com a saída de papel na parte de cima) ou verticalmente (com a saída de papel na parte frontal) fixando-a a uma parede, utilizando o conjunto opcional de suporte para fixação WH-10.

ATENÇÃO:

Ao afixar a impressora a uma parede com o conjunto de suporte para fixação, certifique-se de que afixa uma tampa do conector à impressora.

Configuração da Impressora

De forma a configurar a impressora, siga os passos abaixo:

1. Ligue os cabos.
2. Ligue a tampa do conector.
3. Instale o papel em rolo.

Ligação dos Cabos

IMPORTANTE:

Para um interface serial, utilize um cabo de modem nulo.

Para um interface paralelo, utilize um cabo IEEE 1284.

Para um interface USB, não ligue a impressora antes de instalar o driver da impressora.

1. Ligue o cabo de alimentação, cada cabo de interface e o cabo de gaveta do dinheiro aos conectores na traseira da impressora. Para a forma de cada conector, consulte a ilustração **B**, na página ii. (Os interfaces montados variam de acordo com as especificações.)
2. Ligue o cabo de interface ao computador.
3. Insira a ficha do cabo de alimentação numa tomada.

Anexar a Tapa do Conector

Siga os passos abaixo para anexar a tampa do conector, de forma a proteger os cabos.

1. Vire a impressora.
2. Posicione os dois ganchos em ambos os lados da tampa do conector para que suportem a estrutura da impressora, conforme é mostrado na ilustração **C**, na página ii.
3. Pressione a tampa do conector para baixo, de modo a que encaixe na estrutura da impressora.
4. Passe cada cabo através das saídas de cabo, na parte de baixo da tampa do conector.
5. Vire a impressora e certifique-se de que os cabos não estão comprimidos.

Para retirar a tampa do conector, vire a impressora, empurre a tampa do conector para baixo e ao mesmo tempo empurre ambos os lados da tampa do conector para dentro, de forma que se soltem os ganchos da estrutura da impressora. Consulte a ilustração **D**, na página iii.

Instalação do papel em rolo

Siga os passos abaixo para instalar o papel em rolo. Se pretender alterar a largura do papel ao utilizar a guia do papel em rolo, consulte "Alteração da Largura do Papel" na página 34.

1. Pressione o botão de abertura da tampa para abrir a tampa do papel em rolo. Consulte a ilustração **E**, na página iii.
2. Remova o core do papel em rolo usado, se for o caso, e insira o papel em rolo. Consulte a ilustração **F**. A direcção correcta do papel é mostrada na ilustração **G**.
3. Puxe um pouco de papel e feche a tampa do papel em rolo, conforme é mostrado na ilustração **H**.
4. Rasgue o papel, como mostra a ilustração **I**.

Anexar a Tapa do Interruptor de Alimentação

A tampa protegida do interruptor de alimentação assegura que tal interruptor não será premido acidentalmente. Para usar esta tampa, instale-a conforme mostra a ilustração **J**, na página iii.

⚠ ATENÇÃO:

Se ocorrer um acidente quando a tampa do interruptor de ligação estiver instalada, desligue imediatamente o cabo de alimentação. Se não o fizer, poderá provocar um incêndio ou um choque eléctrico.

Alteração da Largura do Papel

Poderá alterar a largura do papel de 80 mm para 58 mm ao instalar a guia do papel em rolo. Siga os passos abaixo para alterar a largura do papel.

⚠ IMPORTANTE:

Assim que alterar a largura do papel de 80 mm para 58 mm, não poderá voltar a alterá-la para 80 mm.

Ao alterar a largura do papel certifique-se de fazer a configuração para a largura do papel com os interruptores de Memória. Para configurar os interruptores de Memória, utilize software utilitário para a TM-T88V.

1. Abra a tampa do papel em rolo.
2. Instale a guia do papel em rolo de forma a que a projecção na parte inferior fique alinhada com o orifício à direita do suporte de papel em rolo, como mostra a ilustração **K**, na página iv.
3. Aperte o parafuso incluído para fixar a guia do papel em rolo.
4. Cole as 2 folhas incluídas ao longo da guia do papel em rolo, na parte de baixo do suporte do papel em rolo, conforme mostra a ilustração **L**. Certifique-se de que o espaço entre o canto superior da folha e a linha da ranhura na guia do papel em rolo (indicado como **a** na ilustração) é de 0,5 mm ou menos.
5. Instale o papel em rolo correctamente.
6. Feche a tampa do papel em rolo.

Resolução de problemas

Os indicadores luminosos não acendem no painel de controlo

Verifique se o cabo de alimentação eléctrica está correctamente ligado à impressora e à tomada.

Indicador luminoso de erro ligado sem impressão

- Verifique se a tampa do papel em rolo está fechada. Se estiver aberta, feche-a.
- Se o indicador luminoso de papel estiver ligado, verifique se o papel em rolo está correctamente instalado e se fica algum papel em rolo.

Indicador luminoso de erro a piscar sem impressão

- Verifique se ocorreu alguma obstrução do papel. Se o papel estiver obstruído, remova o papel obstruído consultando a descrição abaixo e instale o papel em rolo correctamente.
- A impressão parará se a cabeça sobreaquecer e prosseguirá automaticamente quando arrefecer.
- Para outras situações, desligue a impressora e, após 10 segundos, volte a ligá-la.

Remoção do Papel Obstruído

Se ocorrer uma obstrução de papel, nunca puxe o papel à força para fora. Abra a tampa do papel em rolo e remova o papel obstruído.

  **IMPORTANTE:**

*Não toque na cabeça térmica e no quadro do seu lado (indicado no círculo da ilustração **O**, na página iv) porque pode estar muito quente após a impressão.*

Se a tampa do papel em rolo não se abrir, siga os passos abaixo:

1. Desligue a impressora.
2. Faça deslizar a tampa da cortadora para a frente para abri-la, conforme mostra a ilustração **M**, na página iv.
3. Mova o botão giratório até ver um triângulo na abertura. Isso fará com que a lâmina do cortador volte à posição normal. Há uma etiqueta perto do cortador para ajudá-lo. Veja a ilustração **N**.
4. Feche a tampa do cortador.
5. Abra a tampa do papel em rolo e retire o papel emperrado.

Limpeza da cabeça térmica

  **IMPORTANTE:**

*Após a impressão, a cabeça térmica e o quadro do seu lado (indicado no círculo da ilustração **O**, na página iv) podem estar muito quentes. Tenha o cuidado de não tocá-la e de deixá-la arrefecer antes da limpeza. Não danifique a cabeça térmica tocando-a com os dedos ou com um objecto duro.*

Desligue a impressora, abra a tampa do papel em rolo e limpe os elementos térmicos da cabeça térmica com um bastonete de algodão humedecido com um solvente à base de álcool (etanol ou IPA). Consulte a ilustração **O**, na página iv.

Para manter a boa qualidade impressão, a Epson aconselha a limpar periodicamente a cabeça térmica (de três em três meses).

Configuração dos Comutadores DIP

 **IMPORTANTE:**

Certifique-se de que desliga a impressora antes de remover a tampa dos comutadores DIP. A remoção da mesma enquanto a impressora está ligada pode causar problemas, como um curto-circuito, o que pode provocar um mau funcionamento da impressora.

1. Desligue a impressora.
 2. Vire a impressora ao contrário.
 3. Remova a tampa do comutador DIP ao remover o parafuso, conforme mostra a ilustração **P**, na página iv.
 4. Configure os comutadores DIP utilizando uma ferramenta de ponta afiada.
 5. Substitua a tampa do comutador DIP e fixe-a ao instalar o parafuso.
- A nova configuração torna-se efectiva após a ligação da impressora.

TM-T88V

Manual del usuario

Tablas y especificaciones de los interruptores DIP

Las tablas de los interruptores DIP y las especificaciones técnicas se hallan al principio de este manual.

Ilustraciones

Todas las ilustraciones están al principio de este manual. Están identificadas por letras (A, B, C,...). Algunas de las ilustraciones tienen números en ellas. Vea la lista que sigue para conocer el significado de los números.

Ilustración A:

1. Tapa del papel de rollo
2. Tapa del cortador
3. Interruptor de alimentación
4. Botón para abrir la tapa
5. Tapa del conector
6. Panel de control

Ilustración C:

7. Gancho

Ilustración K:

8. Agujero

Ilustración L:

9. Hojas para ancho de papel de 58 mm

Se reservan todos los derechos. Ninguna porción de esta publicación podrá reproducirse, guardarse en un sistema de recuperación de datos o transmitirse en forma o modo alguno, sea electrónico, mecánico, fotocopiado, grabado o de otra forma, sin el permiso previo y por escrito de Seiko Epson Corporation. No se asume responsabilidad de patente con respecto al uso de la información contenida aquí. Si bien se han tomado todas las precauciones en la preparación de este libro, Seiko Epson Corporation no asume ninguna responsabilidad por errores u omisiones. Tampoco asume responsabilidad alguna que surja por el uso de la información contenida aquí.

Ni Seiko Epson Corporation ni sus compañías afiliadas serán responsables ante el comprador de este producto o ante terceros por daños, pérdidas, costos, o gastos incurridos por el comprador o por terceros como resultado de: accidente, uso indebido, o abuso de este producto o de modificaciones, reparaciones o alteraciones no autorizadas de este producto, o (excluyendo a los EE.UU.) por no cumplir estrictamente con las instrucciones de operación y mantenimiento de Seiko Epson Corporation.

Seiko Epson Corporation no será responsable de cualquier daño o problema que surja por el uso de cualquier opción o producto de consumo que no esté designado como Producto Epson Original o Aprobado por Seiko Epson Corporation.

EPSON es una marca registrada de Seiko Epson Corporation en Japón y otros países/regiones.

AVISO: El contenido de este manual está sujeto a cambios sin previo aviso.

Copyright © 2009 Seiko Epson Corporation, Nagano, Japón.

ADVERTENCIA

Este es un producto de Clase A. En un ambiente residencial este producto podría causar radiointerferencias, en cuyo caso el usuario podría verse en la necesidad de tomar las medidas apropiadas.

Precauciones de Seguridad

En esta sección, se presenta información importante cuyo propósito es cerciorarse de un uso seguro y efectivo de este producto. Por favor, lea esta sección con cuidado y guárdela en un lugar accesible.

ADVERTENCIA:

Apague su equipo de inmediato si éste produce humo, un olor raro, o un ruido inusual. El seguir utilizándolo podría ocasionar un incendio. Desenchufe el equipo de inmediato y comuníquese con su distribuidor o con un servicio técnico Epson.

Nunca trate de reparar este producto usted mismo. Una reparación incorrecta puede ser peligrosa.

Nunca desmonte o modifique este producto. La manipulación de este producto puede causar lesiones o un incendio.

Cerciórese de usar la fuente de alimentación eléctrica especificada. La conexión a una fuente de alimentación eléctrica inadecuada puede causar un incendio.

No deje que materiales extraños caigan dentro del equipo, ya que podría provocar un incendio.

Si se derrama agua o algún otro líquido dentro del equipo, desenchufe el cable eléctrico inmediatamente, y después comuníquese con su distribuidor o con un servicio técnico Epson. El seguir usándolo podría causar un incendio.

Si abre la tapa de los interruptores DIP, cerciórese de cerrar la tapa y de apretar el tornillo después de ajustar el interruptor DIP. Si este producto se usa con la tapa abierta se puede causar un incendio o un cortocircuito.

No utilice aerosoles que contengan gases inflamables dentro o cerca de este producto. Si lo hace, podría provocar un incendio.

PRECAUCIÓN:

No conecte los cables en formas que difieran a las mencionadas en este manual. Conexiones diferentes podrían causar daños e incendios.

Cerciórese de poner este equipo sobre una superficie firme, estable, horizontal. El producto se puede romper o causar lesiones si se cae.

No lo use en lugares sujetos a altos niveles de humedad o de polvo. El exceso de humedad o de polvo podría causar daños o incendios al equipo.

No ponga objetos pesados encima de este producto. Nunca se apoye sobre este producto. El equipo podría caerse, causando roturas y posibles lesiones.

Tenga cuidado para no lastimarse los dedos con el cortador manual

- Al retirar papeles impresos
- Cuando realice cualquier otra operación, tal como carga/reemplazo de rollo de papel

Por razones de seguridad, por favor desenchufe este producto antes de dejarlo sin usar por un largo periodo de tiempo.

Etiquetas de Precaución

PRECAUCIÓN:

No toque el cabezal térmico y ni el marco de su lado (indicado en el círculo de la ilustración **O** de la página iv) ya que pueden estar muy calientes después de la impresión.

PRECAUCIÓN:

Se puede lastimar si toca el cortador manual.

Restricción en el uso

Cuando este producto se usa en aplicaciones que requieren de alta fiabilidad/seguridad tales como los dispositivos relacionados con la aviación, los ferrocarriles, la marina, los automóviles, etc.; los dispositivos de prevención de desastres; dispositivos varios de seguridad, etc.; o los dispositivos funcionales/de precisión, etc., usted deberá tener en cuenta los posibles fallos, las redundancias de su diseño para mantener la seguridad y la fiabilidad total de su sistema. Debido a que este producto no tuvo el propósito de usarse en aplicaciones que requieren de una fiabilidad/seguridad sumamente altas tales como los equipos aeroespaciales, equipos principales de comunicación, equipos de control en plantas nucleares, o en equipos médicos relacionados con los cuidados médicos directos, etc., por favor decida usted mismo sobre la adecuación de este producto después de una evaluación completa.

Desembalaje

Se incluyen los siguientes artículos con la impresora de especificación estándar. Si algún artículo está dañado, llame a su distribuidor.

- | | |
|--|--|
| <input type="checkbox"/> Impresora | <input type="checkbox"/> Papel de rollo |
| <input type="checkbox"/> Tapa del conector | <input type="checkbox"/> Tapa del interruptor de alimentación |
| <input type="checkbox"/> Guía del papel de rollo | <input type="checkbox"/> Hoja para ancho de papel de 58 mm x 2 |
| <input type="checkbox"/> Tornillo | <input type="checkbox"/> Adaptador de C.A.* |
| <input type="checkbox"/> Cable de C.A.* | <input type="checkbox"/> Certificado de garantía* |
| <input type="checkbox"/> Manual del usuario | |

* Podrían no venir incluidos con su impresora.

Cómo descargar programas gestores, utilerías y manuales

Los programas gestores, las utilerías y los manuales se pueden descargar en uno de los siguientes URLs.

Para los clientes en América del Norte, visiten el siguiente sitio en la Internet: <http://www.epsonexpert.com/> y siga las instrucciones que aparecen en pantalla.

Para los clientes en otros países, visiten el siguiente sitio en la Internet:

<http://download.epson-biz.com/?service=pos>

Nombres de piezas

Vea la ilustración **A** de la página ii y los nombres de piezas en la página 36.

Panel de control

Indicador de alimentación eléctrica

Encendido cuando la impresora está encendida.

Indicador de Error

Se enciende cuando detecta un error.

LED Paper

Encendido indica que el papel se acabó o se está acabando. Parpadeando indica que está en espera.

Botón de alimentación de papel (Feed)

Con este botón se alimenta papel.

Instalación de la impresora en forma horizontal o vertical

Puede instalar la impresora en posición horizontal sobre una superficie plana (con la salida del papel por arriba) o en posición vertical (con la salida de papel por delante) colgada de una pared utilizando el accesorio opcional WH-10.

⚠ ADVERTENCIA:

Al colgar la impresora en la pared con el accesorio opcional, asegúrese de colocar una tapa del conector a la impresora

Configuración de la impresora

Para configurar la impresora, siga los siguientes pasos.

1. Conecte los cables.
2. Coloque la tapa del conector.
3. Instale el papel de rollo.

Conexión de los cables

⚠ PRECAUCIÓN:

Para un interface serie, use un cable null modem.

Para un interface paralelo, use un cable IEEE 1284.

Para un interfaz USB, no encienda la impresora antes de instalar el driver de la impresora.

1. Conecte el cable eléctrico, cada cable de interfaz, y el cable del cajón de dinero a los conectores de la parte posterior de la impresora. Para saber la forma de cada conector, vea la ilustración **B** de la página ii. (Las interfaces montadas varían según la especificación.)
2. Conecte el cable de interfaz al ordenador.
3. Inserte el cable eléctrico en un enchufe.

Colocación de la tapa del conector

Siga los siguientes pasos para acoplar la tapa del conector para proteger los cables.

1. Dé la vuelta a la impresora.
2. Coloque los dos ganchos en ambos lados de la tapa del conector para que enganchen el cuerpo de la impresora, como se muestra en la ilustración **C** de la página ii.
3. Empuje hacia abajo la tapa del conector para que haga clic sobre el cuerpo de la impresora.
4. Pase cada cable a través del cable que se encuentra en la parte inferior de la tapa del conector.

5. Dé la vuelta a la impresora, y asegúrese de que los cables no queden pinzados.

Para quitar la tapa del conector, gire la impresora, y empuje la tapa del conector hacia abajo mientras empuja ambos lados de la tapa del conector hacia adentro para desmontar los ganchos del cuerpo de la impresora. Vea la ilustración **D** de la página iii.

Instalación del papel de rollo

Siga los siguientes pasos para instalar el papel de rollo. Si desea cambiar el ancho de papel utilizando la guía del papel de rollo, vea “Cambio del ancho de página” de la página 40.

1. Presione el botón de apertura de la tapa para abrir la tapa del papel de rollo. Vea la ilustración **E** de la página iii.
2. Retire el núcleo del papel de rollo usado, si hubiera, e inserte el papel de rollo. Vea la ilustración **F**. La dirección correcta del papel se muestra en la ilustración **G**.
3. Saque algún papel, y cierre la tapa del papel de rollo como se muestra en la ilustración **H**.
4. Corte el papel como se muestra en la ilustración **I**.

Colocación de la tapa del interruptor de alimentación

La tapa del interruptor de alimentación, adjunta, evita que se presione accidentalmente el interruptor de alimentación. Para utilizar esta tapa, instálela como se muestra en la ilustración **J** de la página iii.

⚠ ADVERTENCIA:

Si ocurre un accidente cuando esté puesta la tapa del interruptor de alimentación, desconecte el cable eléctrico de inmediato. Seguir usándola podría causar un incendio o un cortocircuito.

Cambio del ancho de página

Puede cambiar el ancho de papel de 80 mm a 58 mm instalando la guía del papel de rollo. Siga los siguientes pasos para cambiar el ancho de papel.

⚠ PRECAUCIÓN:

Si cambia el ancho de papel de 80 mm a 58 mm, no podrá volverlo a cambiar a 80 mm.

Al cambiar la anchura de papel, asegúrese de realizar la configuración para el papel con los interruptores de memoria. Para ajustar los interruptores de memoria, utilice el software de utilidad para el TM-T88V.

1. Abra la tapa del papel de rollo.
2. Instale la guía del papel de rollo para que la proyección en su parte inferior se alinee con el agujero de la derecha del soporte del papel de rollo, como es muestra en la ilustración **K** de la página iv.
3. Apriete el tornillo adjunto para fijar la guía del papel de rollo.

4. Pegue las 2 hojas adjuntas a lo largo de la guía del papel de rollo en la parte inferior del soporte del papel de rollo, como se muestra en la ilustración **L**. Asegúrese de que el espacio entre el borde superior de la hoja y la línea de la ranura de la guía del papel de rollo (indicada como **a** en la ilustración), sea de 0,5 mm como máximo.
5. Instale el papel de rollo correctamente.
6. Cierre la tapa del papel de rollo.

Localización de problemas

No se encienden las luces en el panel de control

Compruebe que el cable de la fuente de alimentación esté correctamente conectado a la impresora y al enchufe.

El indicador de Error encendido sin impresión

- Compruebe que la tapa del papel de rollo esté cerrada. Si estuviera abierta, ciérrela.
- Si el LED Paper está encendido, compruebe que el papel de rollo esté correctamente instalado y que queda papel de rollo.

El indicador de Error está parpadeando sin impresión

- Compruebe que no se ha producido ningún atasco de papel. Si estuviera atascado, retírelo según la descripción siguiente e instale correctamente el papel de rollo.
- La impresión se detiene si el cabezal se sobrecalienta, y se reanuda automáticamente cuando se enfría.
- Para otros casos, apague la impresora, y después de 10 segundos, vuelva a encenderla.

Retirada del papel atascado

Cuando se produce un atasco de papel, nunca saque el papel a la fuerza. Abra la tapa del papel de rollo y retire el papel atascado.



PRECAUCIÓN:

*No toque el cabezal térmico y ni el marco de su lado (indicado en el círculo de la ilustración **O** de la página iv) ya que pueden estar muy calientes después de la impresión.*

Si la tapa del papel de rollo no se abriera, siga los siguientes pasos.

1. Apague la impresora.
2. Deslice la tapa del cortador hacia delante para abrirla como se muestra en la ilustración **M** de la página iv.
3. Gire el botoncillo hasta que aparezca un triángulo en la abertura. Esto devuelve la cuchilla del cortador a la posición normal. Hay una etiqueta cerca del cortador para indicarle esta operación. Vea la ilustración **N**.
4. Cierre la tapa del cortador.
5. Abra la tapa del papel de rollo y retire el papel atascado.

Limpieza del cabezal térmico

PRECAUCIÓN:

*Después de imprimir, el cabezal térmico y el marco de su lado (indicado en el círculo de la ilustración **O** de la página iv) pueden estar muy calientes. Procure no tocarlo y déjelo enfriar antes de limpiarlo. No dañe el cabezal térmico tocándolo con los dedos o con algún objeto duro.*

Apague la impresora, abra la tapa del papel de rollo, y limpie los elementos térmicos del cabezal térmico con un bastoncillo de algodón humedecido en una solución de alcohol (etanol, metanol, o alcohol isopropílico). Vea la ilustración **O** de la página iv.

Epson recomienda una limpieza periódica del cabezal térmico (en general, cada tres meses) para mantener la calidad de impresión.

Configuración de los interruptores DIP

PRECAUCIÓN:

Asegúrese de apagar la impresora antes de retirar la tapa de los interruptores DIP. Si se retira cuando la impresora está encendida, podría provocar problemas como cortocircuitos, lo que daría lugar a una avería en la impresora.

1. Apague la impresora.
2. Dé la vuelta a la impresora.
3. Retire la cubierta del interruptor DIP quitando el tornillo como se muestra en la ilustración **P** de la página iv.
4. Ajuste los interruptores DIP con una herramienta de punta fina.
5. Sustituya la tapa del interruptor DIP y fíjela colocando el tornillo.

La nueva configuración pasa a aplicarse después de encender la impresora.

TM-T88V

Manuale dell'utente

Tablelle degli interruttori DIP e specifiche tecniche

Le tablelle degli interruttori DIP e le specifiche tecniche si trovano all'inizio di questo manuale.

Figure

Tutte le figure si trovano all'inizio di questo manuale, e sono identificate da lettere (A, B, C...). Alcune figure contengono anche numeri. Per il significato dei numeri vedere l'elenco qui sotto.

Figura A:

1. Copertura del rotolo di carta
2. Copertura della taglierina
3. Interruttore dell'alimentazione
4. Pulsante di apertura della copertura
5. Copertura del connettore
6. Pannello di controllo

Figura C:

7. Gancio

Figura K:

8. Foro

Figura L:

9. Fogli per larghezza della carta di 58 mm

Tutti i diritti riservati. Nessuna parte di questa pubblicazione può essere riprodotta, memorizzata in un sistema di reperimento, né trasmessa in qualsiasi forma o con qualsiasi mezzo (elettronico, meccanico, fotocopia, registrazione o altro) senza la preventiva autorizzazione scritta della Seiko Epson Corporation. Viene esclusa ogni responsabilità di brevetto rispetto all'uso delle informazioni contenute in questa pubblicazione. Malgrado questo manuale sia stato preparato con la massima cura, la Seiko Epson Corporation non si assume alcuna responsabilità per eventuali errori o omissioni in esso contenuti, né per eventuali danni risultanti dall'uso delle informazioni contenute in questo manuale.

Né la Seiko Epson Corporation, né alcuna delle sue affiliate, sarà ritenuta responsabile verso l'acquirente di questo prodotto, o terze parti, di eventuali danni, perdite, costi o spese sostenuti dall'acquirente o terze parti risultanti da: incidente, uso improprio o abuso di questo prodotto, o da modifiche non autorizzate, riparazioni, alterazioni a questo prodotto, oppure (esclusi gli Stati Uniti d'America) dalla totale inosservanza delle istruzioni per l'uso e la manutenzione impartite dalla Seiko Epson Corporation.

La Seiko Epson Corporation non sarà responsabile di alcun danno o problema insorto dall'uso di qualsiasi accessorio opzionale o di prodotti consumabili diversi da quelli designati dalla Seiko Epson Corporation come Prodotti originali Epson o Prodotti approvati dalla Epson.

EPSON è un marchio registrato di Seiko Epson Corporation in Giappone ed in altri paesi/regioni.

AVVISO: il contenuto di questo manuale è soggetto a cambiamenti senza preavviso.

Copyright © 2009 Seiko Epson Corporation, Nagano, Giappone.

AVVERTENZA

Questo è un prodotto di Classe A. In ambiente domestico, questo prodotto può causare interferenze radio. In tal caso, l'utente deve adottare le misure necessarie per eliminare l'interferenza.

Precauzioni di sicurezza

Questa sezione contiene informazioni importanti per l'uso efficiente e sicuro di questo prodotto. Leggere attentamente questa sezione e conservarla in un luogo prontamente accessibile.

⚠ AVVERTENZA:

Spegnere immediatamente l'unità se produce fumo, un odore strano o un rumore inconsueto. L'uso continuato potrebbe costituire causa d'incendio. Staccare immediatamente la spina dell'unità e rivolgersi al rivenditore o alla Seiko Epson per assistenza in merito.

Non riparare mai da soli questa unità. La riparazione impropria potrebbe creare un pericolo.

Non smontare né modificare mai questo prodotto. La manomissione del prodotto potrebbe causare lesioni personali, incendio.

Accertarsi di usare la fonte di alimentazione specificata. Il collegamento del prodotto ad una fonte di alimentazione impropria potrebbe causare incendio.

Evitare che nell'unità entrino corpi estranei. Questi potrebbero causare incendio.

Se acqua o altri liquidi cadono accidentalmente nell'unità, staccare immediatamente il cavo di alimentazione, quindi rivolgersi per consigli al rivenditore o al centro di assistenza della Seiko Epson. L'uso continuato dell'unità potrebbe causare incendio.

Se la copertura degli interruttori DIP viene aperta, accertarsi di chiuderla e avvitare la vite dopo aver regolato l'interruttore DIP. L'uso della stampante con la copertura aperta può causare incendio o scossa elettrica.

Per evitare il pericolo d'incendio, non usare spruzzatori aerosol contenenti gas infiammabili, all'interno del prodotto o vicino ad esso.

⚠ ATTENZIONE:

Non collegare i cavi in alcun modo diverso da quello indicato in questo manuale. Collegamenti non corretti possono causare danni all'unità e ustioni personali.

Posare questa unità su una superficie piana, solida e stabile. Se cade, questa unità può rompersi o causare lesioni personali.

Non usare questa unità in ambienti soggetti ad un elevato tasso di umidità o polvere. L'umidità o la polvere eccessiva può causare danni all'unità o incendio.

Non mettere oggetti pesanti sopra questa unità. Non porsi sopra questa unità né appoggiarsi. L'unità potrebbe cadere e rompersi o causare lesioni personali.

Prestate attenzione a non ferirvi le dita sulla taglierina manuale

- *Quando rimuovete la carta stampata*
- *Quando eseguite operazioni come carico/sostituzione del rotolo di carta*

Per motivi di sicurezza, staccare sempre la spina dell'unità prima di lasciarla incustodita per un lungo periodo di tempo.

Etichette di avvertimento

  **ATTENZIONE:**

Non toccare la testina termica e la parte laterale della struttura (indicata nel cerchio della figura O a pagina iv) perché possono essere molto calde dopo la stampa.

 **ATTENZIONE:**

Per evitare infortuni alla persona, non toccare la taglierina manuale.

Limitazioni d'impiego

Quando questo prodotto viene impiegato in applicazioni che richiedono un alto grado di affidabilità e sicurezza, come dispositivi relativi a trasporti aerei, per treno, via mare, con motoveicoli, ecc., dispositivi per la prevenzione di disastri, dispositivi di sicurezza vari ecc. o dispositivi di precisione/funzionali, lo si dovrebbe usare solo dopo avere preso in considerazione l'inclusione nel progetto di elementi di ridondanza e resistenza ai guasti aventi lo scopo di mantenere la sicurezza e l'affidabilità dell'intero sistema. Poiché questo prodotto è stato progettato per essere usato in applicazioni che richiedono un altissimo grado di affidabilità e sicurezza, come in apparecchiature aerospaziali, reti di comunicazione, controllo di impianti nucleari o apparecchi per l'assistenza medica usate in cura diretta dei pazienti, ecc., si dovrà usare il proprio discernimento nel valutare a fondo il prodotto e garantire che sia adatto all'uso.

Disimballaggio

Gli articoli seguenti sono inclusi con la stampante in configurazione standard. Se un articolo risulta danneggiato, rivolgersi al rivenditore della stampante.

- | | |
|--|---|
| <input type="checkbox"/> Stampante | <input type="checkbox"/> Rotolo di carta |
| <input type="checkbox"/> Copertura del connettore | <input type="checkbox"/> Copertura dell'interruttore dell'alimentazione |
| <input type="checkbox"/> Guida del rotolo di carta | <input type="checkbox"/> Foglio per larghezza carta di 58 mm × 2 |
| <input type="checkbox"/> Vite | <input type="checkbox"/> Adattatore CA* |
| <input type="checkbox"/> Cavo CA* | <input type="checkbox"/> Certificato di garanzia* |
| <input type="checkbox"/> Manuale dell'utente | |

* Può non essere inclusa con la stampante acquistata.

Download dei driver, dei programmi di utility e dei manuali

I driver, i programmi di utility e i manuali possono essere scaricati dai siti ai seguenti indirizzi URL.

Per clienti in Nord America, andare al seguente sito Web:

<http://www.epsonexpert.com/> e seguire le istruzioni fornite sullo schermo.

Per clienti in altri Paesi, andare al seguente sito Web:

<http://download.epson-biz.com/?service=pos>

Componenti

Vedere la figura **A** a pagina ii e gli altri componenti a pagina 43.

Pannello di controllo

LED dell'alimentazione

Questo LED è acceso quando la stampante è accesa.

LED Error

Indica un errore.

LED Paper

Se acceso, indica che la carta è finita o sta per finire. Se lampeggia, indica lo stato di attesa.

Pulsante Feed

Alimenta la carta nella stampante.

Installazione orizzontale o verticale

La stampante può essere installata orizzontalmente (con la carta che esce dall'alto) o verticalmente (con la carta che esce di fronte) appesa alla parete usando il kit della staffa di sostegno opzionale WH-10.

AVVERTENZA:

Se la stampante viene appesa alla parete usando il kit della staffa di sostegno, ricordarsi di montare una copertura del connettore sulla stampante.

Impostazione della stampante

Per impostare la stampante, procedere come segue.

1. Collegare i cavi.
2. Installare la copertura del connettore.
3. Inserire il rotolo di carta.

Collegamento dei cavi

ATTENZIONE:

Per interfaccia seriale, usare un cavo null modem.

Per interfaccia parallela, usare un cavo IEEE 1284.

Per interfaccia USB, installare il driver prima di collegare la stampante.

1. Collegare il cavo dell'alimentazione, ciascun cavo di interfaccia e il cavo di collegamento a cassetto ai connettori situati sulla parte posteriore della stampante. Per la forma di ciascun connettore, vedere la figura **B** a pagina ii. (le interfacce montate variano dalle specifiche).
2. Collegare il cavo di interfaccia al computer.
3. Inserire la spina del cavo dell'alimentazione in una presa.

Installazione della copertura del connettore

Per installare la copertura del connettore per proteggere i cavi, procedere come segue.

1. Capovolgere la stampante.
2. Posizionare i due ganci su entrambi i lati della copertura del connettore in modo che aggancino la carrozzeria della stampante, come mostrato nella figura **C** a pagina ii.
3. Premere in basso la copertura del connettore affinché scatti sulla carrozzeria della stampante.
4. Far passare ciascun cavo attraverso le uscite dei cavi nella parte inferiore della copertura del connettore.
5. Capovolgere la stampante e assicurarsi di non schiacciare i cavi.

Per rimuovere la copertura del connettore, capovolgere la stampante, premere in basso la copertura del connettore spingendo contemporaneamente all'interno entrambi i lati della copertura dei connettori per sganciare i ganci della carrozzeria della stampante. Vedere la figura **D** a pagina iii.

Installazione della rotolo di carta

Per inserire il rotolo di carta, procedere come segue. Per cambiare la larghezza della carta tramite la guida del rotolo di carta, vedere "Modifica della larghezza della carta" a pagina 48.

1. Premere il pulsante per aprire la copertura del rotolo di carta. Vedere la figura **E** a pagina iii.
2. Rimuovere il rocchetto della rotolo di carta usata, se presente, e inserire la nuova rotolo di carta. Vedere la figura **F**. La direzione corretta della carta è mostrata nella figura **G**.
3. Tirare fuori la carta e chiudere la copertura del rotolo di carta, come mostrato nella figura **H**.
4. Tagliare la carta, come mostrato nella figura **I**.

Installazione della copertura dell'interruttore dell'alimentazione

L'acclusa copertura dell'interruttore dell'alimentazione assicura che l'interruttore dell'alimentazione non venga premuto accidentalmente. Per utilizzare questa copertura, installarla come mostrato nella figura **J** a pagina iii.

⚠ AVVERTENZA:

Se la stampante subisce un incidente e la copertura dell'interruttore dell'alimentazione è installata, staccare immediatamente il cavo di alimentazione. L'uso continuato della stampante può causare un incendio o una scossa elettrica.

Modifica della larghezza della carta

È possibile modificare la larghezza della stampante da 80 mm a 58 mm installando la guida del rotolo di carta. Per modificare la larghezza della carta, procedere come segue.

⚠ ATTENZIONE:

Una volta modificata la larghezza della stampante da 80 mm a 58 mm, non è possibile riportarla a 80 mm.

Quando si modifica la larghezza della carta, assicurarsi di effettuare l'impostazione della larghezza della carta con interruttori di memoria. Per impostare gli interruttori di memoria, utilizzare l'utility per il TM-T88V.

1. Aprire la copertura del rotolo di carta.
2. Installare la guida del rotolo di carta in modo che la proiezione sulla sua parte inferiore sia allineata al foro situato sulla destra del supporto del rotolo di carta, come mostrato nella figura **K** a pagina iv.
3. Serrare la vite per fissare la guida del rotolo di carta.
4. Incollare i 2 fogli lungo la guida del rotolo di carta sulla parte inferiore del supporto del rotolo di carta, come mostrato nella figura **L**. Assicurarsi che lo spazio tra il bordo superiore del foglio e la linea della scanalatura nella guida del rotolo di carta (indicato come **a** in figura) sia di 0,5 mm o meno.
5. Inserire correttamente il rotolo di carta.
6. Chiudere la copertura del rotolo di carta.

Risoluzione dei problemi

Sul pannello di controllo nessuna spia luminosa è accesa

Controllare che il cavo dell'alimentazione sia collegato in modo corretto alla stampante e alla presa.

Il LED Error è acceso senza stampa

- Controllare che la copertura del rotolo di carta sia chiusa. Se è aperta, chiuderla.
- Se il LED PAPER è acceso, controllare se il rotolo di carta è installato in modo corretto o sta per finire.

Il LED Error lampeggia senza stampa

- Controllare se si è inceppata la carta. In tal caso, rimuovere la carta inceppata seguendo la descrizione di seguito e inserire il rotolo di carta in modo corretto.
- La stampa si interrompe se la testina si surriscalda, e riprende automaticamente quando la testina si raffredda.
- Se la causa non è il surriscaldamento, spegnere la stampante e riaccenderla dopo 10 secondi.

Rimozione della carta inceppata

In caso di carta inceppata, non estrarre la carta con forza. Aprire la copertura del rotolo di carta e rimuovere la carta inceppata.

  **ATTENZIONE:**

*Non toccare la testina termica e la parte laterale della struttura (indicata nel cerchio della figura **O** a pagina iv) perché possono essere molto calde dopo la stampa.*

Se la copertina del rotolo di carta non si apre, procedere come segue.

1. Spegnerne la stampante.
2. Far scorrere la copertura della taglierina in avanti per aprirla, come mostrato nella figura **M** a pagina iv.
3. Girare la manopola fino a quando nell'apertura appare un triangolo. A questo punto la lama della taglierina torna alla posizione normale. Aiutarsi con l'etichetta accanto alla taglierina. Vedere la figura **N**.
4. Chiudere la copertura della taglierina.
5. Aprire la copertura del rotolo di carta e rimuovere la carta inceppata.

Pulizia della testina termica

  **ATTENZIONE:**

*Non toccare la testina termica e la parte laterale della struttura (indicata nel cerchio della figura **O** a pagina iv) perché possono essere molto calde dopo la stampa. Non toccarla e lasciarla raffreddare prima di pulirla. Non danneggiare la testina termica toccandola con le dita o con un qualsiasi altro oggetto duro.*

Spegnerne la stampante, aprire la copertura del rotolo di carta e pulire gli elementi termici della testina di stampa con un tamponcino di cotone inumidito con solvente a base di alcol (etanolo o IPA). Vedere la figura **O** a pagina iv.

La Epson raccomanda di pulire periodicamente la testina di stampa (in genere, ogni tre mesi) per mantenere la buona qualità della stampa.

Impostazione degli interruttori DIP

 **ATTENZIONE:**

Assicurarsi di spegnere la stampante prima di rimuovere la copertura degli interruttori DIP. Se si rimuovono con la stampante accesa, si potrebbero verificare problemi quali cortocircuiti, che potrebbero causare guasti alla stampante.

1. Spegnerne la stampante.
2. Capovolgere la stampante.
3. Rimuovere la vite della copertura degli interruttori DIP, come mostrato nella figura **P** a pagina iv.
4. Impostare gli interruttori DIP con uno strumento a punta fine.
5. Reinstallare la copertura degli interruttori DIP e fissarla con le viti.

La nuova impostazione diventa efficace all'accensione della stampante.

TM-T88V

Руководство по эксплуатации

DIP-переключатели в корпусах с двухрядным расположением выводов (DIP): таблицы разводки выводов и технические характеристики

Таблицы разводки выводов и технические характеристики микропереключателей в плоских корпусах с двухрядным расположением выводов (DIP) приводятся в начале этого руководства.

Иллюстрации

Все иллюстрации приводятся в начале руководства. Иллюстрации озаглавлены буквенными обозначениями (А, В, С . . .). Кроме того, компоненты, изображенные на некоторых иллюстрациях, пронумерованы. См. ниже перечень пронумерованных компонентов.

Иллюстрация А:

1. Крышка рулона бумаги
2. Крышка резака для бумаги
3. Выключатель питания
4. Кнопка открытия крышки
5. Крышка соединительного разъема
6. Панель управления

Иллюстрация С:

7. Фиксаторы

Иллюстрация К:

8. Отверстие

Иллюстрация L:

9. Пластины для бумаги шириной 58 мм

Все права сохраняются. Воспроизведение, хранение в системе поиска информации и передача какой-либо части настоящего документа в какой-либо форме или с использованием каких-либо электронных, механических, фотокопировальных, записывающих или иных средств без предварительного письменного разрешения корпорации Seiko Epson не допускаются. Изготовитель не берет на себя никакой ответственности за нарушение патентных прав в связи с использованием содержащейся в настоящем документе информации. Несмотря на то, что изготовитель принял все возможные меры предосторожности при подготовке настоящего документа, корпорация Seiko Epson не несет никакой ответственности за ошибки или упущения. Кроме того, изготовитель не несет никакой ответственности за убытки, причиненные

в результате использования содержащейся в настоящем документе информации.

Ни корпорация Seiko Epson, ни какие-либо ее подразделения или филиалы не несут ответственности перед покупателем описываемой в настоящем документе продукции или перед третьими сторонами за убытки, потери, издержки или расходы, понесенные покупателем или третьими сторонами в результате несчастного случая, использования продукции не по назначению, небрежного использования продукции или неразрешенных изготовителем изменения конструкции или ремонта продукции, а также (за исключением продукции, используемой в США) в результате несоблюдения каких-либо инструкций корпорации Seiko Epson по эксплуатации и техническому обслуживанию продукции.

Корпорация Seiko Epson не несет ответственности за какие-либо убытки или проблемы, возникающие в связи с использованием любых дополнительных устройств и компонентов или любых потребляемых материалов, кроме тех, которые рекомендованы корпорацией Seiko Epson в качестве оригинальной продукции компании Epson или в качестве продукции, одобренной компанией Epson.

EPSON - зарегистрированная торговая марка корпорации Seiko Epson в Японии и других странах/регионах.

ВНИМАНИЕ! Содержание этого руководства может быть изменено без извещения.

Copyright © 2009, Seiko Epson Corporation, г. Нагано, Япония.

ВНИМАНИЕ!

Настоящее изделие (аппарат, оборудование) удовлетворяет нормам промышленных радиопомех, установленным для оборудования класса А по ГОСТ Р51318.22 (СИСПР 22-97), и не должно применяться в жилых, коммерческих зонах и производственных зонах с малым энергопотреблением и подключаться к низковольтным распределительным электрическим сетям

Меры по обеспечению безопасности

В этом разделе приводится важная информация, помогающая обеспечить безопасную и эффективную эксплуатацию описываемого оборудования. Пожалуйста, внимательно прочтите этот раздел и храните инструкции в легкодоступном месте.

⚠ ПРЕДУПРЕЖДЕНИЯ

Если при использовании вашего оборудования будут замечены дым, непривычный запах или необычный шум, немедленно выключите оборудование. Его дальнейшее использование может привести к пожару. Сразу же отсоедините оборудование от сети и обратитесь за рекомендациями к торговому представителю изготовителя или в центр технического обслуживания оборудования компании Seiko Epson.

Никогда не пытайтесь самостоятельно ремонтировать это оборудование. Неправильное выполнение ремонта может привести к возникновению опасной ситуации.

Никогда не разбирайте оборудование и не изменяйте его конструкцию. Неумелое обращение с оборудованием может привести к нанесению травмы или пожару.

Пользуйтесь только указанным источником электропитания. Подсоединение оборудования к неправильному источнику электропитания может привести к пожару.

Не допускайте попадания посторонних предметов внутрь оборудования. Попадание в оборудование постороннего предмета может привести к пожару.

В случае попадания внутрь оборудования воды или какой-либо другой жидкости немедленно отсоедините от сети провод электропитания оборудования и обратитесь за рекомендациями к торговому представителю изготовителя или в центр обслуживания оборудования компании Seiko Epson. Продолжение использования оборудования может привести к пожару.

После того, как вы откроете крышку переключателя в плоском корпусе с двухрядным расположением выводов (DIP), чтобы отрегулировать переключатель, не забудьте закрыть крышку и затянуть винт крышки. Использование оборудования с открытой крышкой может привести к пожару или к поражению электрическим током.

Использование легко воспламеняющихся газов в пневматическом оборудовании (например, в оборудовании для сдувания пыли сжатым воздухом во время ремонта и технического обслуживания) не допускается.

⚠ ВНИМАНИЕ!

Подключайте кабели только в соответствии с инструкциями, приведенными в этом руководстве. Другое подключение кабелей может привести к повреждению и воспламенению оборудования.

Устанавливайте оборудование только на устойчивой, твердой горизонтальной поверхности. Падение оборудования может привести к его поломке или к нанесению травм персоналу.

Не используйте оборудование в помещениях, отличающихся высокой влажностью или запыленностью воздуха. Чрезмерная влажность или запыленность могут привести к повреждению или воспламенению оборудования.

Не кладите на оборудование тяжелые предметы. Никогда не вставайте на оборудование и не опирайтесь на него. Оборудование может упасть или сломаться; в обоих случаях возможно нанесение травм персоналу.

Внимание! Нельзя ранить свой палец с ручным ножом,

- когда отрезать напечатанную бумагу, и/или*
- когда сделать другую работу, напр. нагрузить и перегрузить рулон бумаги.*

В целях обеспечения безопасности отсоединяйте оборудование от сети в том случае, если оно не будет использоваться в течение длительного времени.

Предупреждающие таблички

  **ВНИМАНИЕ!**

*Не прикасайтесь к термопечатающей головке и рамке сбоку (выделена кружочком на иллюстрации **О** на странице iv), потому что во время печати они нагреваются до очень высокой температуры.*

 **ВНИМАНИЕ!**

Прикосновение к резаку может привести к нанесению травмы.

Ограниченное применение

Если эта продукция используется в условиях, требующих обеспечения высокого уровня надежности и (или) безопасности — например, в сочетании с авиационными, железнодорожными, судовыми, автомобильными и прочими транспортными средствами, аварийными устройствами оповещения, различными предохранительными устройствами или функциональными устройствами, выполняющими прецизионные операции — применение этой продукции рекомендуется только с учетом необходимых средств обеспечения отказоустойчивости и резервирования, поддерживающих достаточно высокий уровень безопасности и надежности всей проектируемой системы. В связи с тем, что эта продукция не предназначена для использования в условиях, требующих обеспечения очень высокого уровня надежности и (или) безопасности — например, в сочетании с авиационно-космическим оборудованием, важнейшим телекоммуникационным оборудованием, оборудованием систем управления атомными электростанциями или медицинским оборудованием, непосредственно используемым в процессе медицинского обслуживания — пожалуйста, не забывайте о том, что вы несете ответственность за всестороннюю оценку соответствия этой продукции конкретным условиям эксплуатации и за ее применение в этих условиях.

Распаковка

В комплекте стандартного принтера поставляются следующие компоненты и материалы.

Если какой-либо компонент или материал поврежден, обратитесь к торговому агенту, у которого вы приобрели свой принтер.

- | | |
|---|--|
| <input type="checkbox"/> Принтер | <input type="checkbox"/> Рулон бумаги |
| <input type="checkbox"/> Крышка соединительного разъема | <input type="checkbox"/> Крышка выключателя питания |
| <input type="checkbox"/> Направляющая рулона бумаги | <input type="checkbox"/> Пластина для бумаги шириной 58 мм × 2 |
| <input type="checkbox"/> Винт | <input type="checkbox"/> Адаптер для сети переменного тока* |
| <input type="checkbox"/> Кабель переменного тока* | <input type="checkbox"/> Гарантийный сертификат* |
| <input type="checkbox"/> Руководство по эксплуатации | |

* *Может не входить в комплект вашего принтера.*

Загрузка драйверов, утилит и руководств

Драйверы, утилиты и руководства можно загружать со следующих сайтов:

<http://download.epson-biz.com/?service=pos>

<http://support.epson.ru>

Названия деталей

См. иллюстрацию **A** на страниц ii и названия деталей на страниц 50.

Панель управления

СДИ питания (Power)

Этот индикатор загорается при включении питания принтера.

СДИ ошибки (Error)

Этот индикатор загорается при возникновении ошибки.

СДИ бумаги (Paper)

Этот индикатор загорается, когда запас бумаги подходит к концу или кончается.

В режиме ожидания замены бумаги этот индикатор мигает.

Кнопка подачи бумаги Feed

Эта кнопка позволяет подавать бумагу.

Горизонтальная и вертикальная установка принтера

Принтер можно устанавливать горизонтально на плоской поверхности (так, чтобы бумага выходила из прорези сверху) или в вертикальном положении (так, чтобы бумага выходила из прорези с передней стороны), подвесив принтер на стене с помощью дополнительного кронштейна WH-10.

ПРЕДУПРЕЖДЕНИЯ

Если принтер устанавливается на стене с помощью дополнительного кронштейна, не забудьте установить крышку соединительного разъема принтера.

Подготовка принтера

Для подготовки принтера выполните следующее.

1. Подключите кабели.
2. Установите крышку соединительного разъема.
3. Установите рулон бумаги.

Подключение кабелей

ВНИМАНИЕ!

Если требуется последовательный интерфейс, применяйте “нуль-модемный” кабель.

Если требуется параллельный интерфейс, применяйте кабель IEEE 1284.

Если вы хотите использовать USB-интерфейс, не включайте принтер, прежде чем не установите драйвера принтера.

1. Подключите провод питания, кабели интерфейсов и кабель кассы к задней панели принтера. Вид каждого соединительного разъема можно посмотреть на иллюстрации **B** на страниц ii. (встроенные интерфейсы отличаются своими характеристиками.)
2. Подключите кабель интерфейса к компьютеру.
3. Вставьте вилку провода питания в розетку.

Установка крышки соединительного разъема

Для установки защищающей кабели крышки соединительного разъема выполните следующее.

1. Переверните принтер.
2. Расположите две зацепки по обеим сторонам крышки соединительного разъема таким образом, чтобы они зацепились за корпус принтера, как показано на иллюстрации **C** на страниц ii.
3. Нажмите на крышку соединительного разъема так, чтобы она защелкнулась на корпусе принтера.
4. Проведите каждый кабель через соответствующее отверстие для кабеля в нижней части крышки соединительного разъема.
5. Переверните принтер обратно и убедитесь, что кабели не пережимаются.

Для того, чтобы удалить крышку соединительного разъема, переверните принтер и потяните крышку соединительного разъема вниз, одновременно нажимая внутрь на обе боковые панели крышки соединительного разъема для того, чтобы зацепки отсоединились от корпуса принтера (См. иллюстрацию **D** на страниц iii.).

Установка рулона бумаги

Для установки рулона бумаги выполните следующие шаги. Если вы хотите поменять ширину бумаги при помощи направляющей рулона бумаги, см. “Изменение ширины бумаги” на страниц 55.

1. Нажмите кнопку открытия крышки, чтобы открыть крышку рулона бумаги. См. иллюстрацию **E** на страниц iii.
2. Извлеките сердечник использованного рулона бумаги, если имеется, и установите рулон бумаги. См. иллюстрацию **F**. Правильное направление бумаги показано на иллюстрации **G**.

3. Вытяните полоску бумаги, после чего закройте крышку рулона бумаги, как показано на иллюстрации **H**.
4. Оторвите лишнюю бумагу, как показано на иллюстрации **I**.

Установка Крышки выключателя питания

Закрывая крышка переключателя питания предотвращает случайное нажатие переключателя. Чтобы использовать эту крышку, установите ее как показано на иллюстрации **J** на страниц iii.

⚠ ПРЕДУПРЕЖДЕНИЯ

Если в ходе эксплуатации оборудования с установленной крышкой переключателя питания возникнет аварийная ситуация, немедленно отсоедините провод питания от сети. Продолжение использования оборудования может привести к пожару или к поражению электрическим током.

Изменение ширины бумаги

Вы можете изменить ширину бумаги с 80 на 58 мм, установив направляющую рулона бумаги. Для изменения ширины бумаги выполните следующее.

⚠ ВНИМАНИЕ!

Если вы меняете ширину бумаги с 80 на 58 мм, вы не сможете вернуться к ширине бумаги 80 мм.

При изменении ширины бумаги не забудьте задать изменение ширины бумаги при помощи переключателей памяти. Для установки переключателей памяти воспользуйтесь служебным программным обеспечением для ТМ-Т88V.

1. Откройте крышку рулона бумаги.
2. Установите направляющую рулона бумаги таким образом, чтобы выступ внизу оказался напротив отверстия справа от держателя рулона бумаги, как показано на иллюстрации **K** на страниц iv.
3. Установите винт для закрепления направляющей рулона бумаги.
4. Приклейте прилагаемые 2 пластины вдоль направляющей рулона бумаги в нижней части держателя рулона бумаги, как показано на иллюстрации **L**. Убедитесь, что расстояние между верхним краем пластины и бороздкой направляющей рулона бумаги (показана на иллюстрации под символом “a”) составляет 0,5 мм или меньше.
5. Установите рулон бумаги правильным образом.
6. Закройте крышку рулона бумаги.

Поиск и устранение причин неисправностей

На панели управления не горят индикаторы

Убедитесь, что провод питания правильно подключен к принтеру и розетке.

СДИ ошибки горит, принтер не печатает

- Убедитесь, что крышка рулона бумаги закрыта. Если она открыта, закройте ее.
- Если горит СДИ бумаги, убедитесь, что рулон бумаги установлен правильно и внутри не осталось ничего лишнего.

СДИ ошибки мигает, принтер не печатает

- ❑ Проверьте на замятие бумаги. Если замятие имеется, следуя приведенному ниже описанию удалите застрявшую бумагу и правильным образом установите рулон бумаги.
- ❑ Печать прекращается при перегреве печатающей головки и автоматически возобновляется после достаточного охлаждения головки.
- ❑ Если прекращение печати вызвано чем-то другим, выключите принтер на 10 секунд, после чего снова включите его.

Удаление застрявшей бумаги

При замятии бумаги ни в коем случае не пытайтесь вытянуть бумагу силой. Откройте крышку рулона бумаги и извлеките застрявшую бумагу.

ВНИМАНИЕ!

*Не прикасайтесь к термопечатающей головке и рамке сбоку (выделена кружочком на иллюстрации **O** на страниц iv), потому что во время печати они нагреваются до очень высокой температуры.*

Если крышка рулона бумаги не открывается, выполните следующее.

1. Выключите принтер.
2. Сдвиньте крышку резака для бумаги по направлению к передней панели, чтобы открыть ее, как показано на иллюстрации **M** на страниц iv.
3. Поворачивайте круглую ручку до тех пор, пока в смотровом окне не покажется треугольник. Это положение ручки соответствует нормальному положению лезвия резака. Рядом с резакром укреплен ярлык со вспомогательными инструкциями (см. иллюстрацию **N**).
4. Закройте крышку резака.
5. Откройте крышку рулона бумаги и удалите застрявшую бумагу.

Очистка термопечатающей головки

ВНИМАНИЕ!

*После печати термопечатающая головка и рамка сбоку (выделена кружочком на иллюстрации **O** на страниц iv) могут быть очень горячими. Будьте осторожны! Не прикасайтесь к горячей головке и начинайте ее очистку только после того, как она остынет. Прикосновение к термопечатающей головке пальцами или любым твердым предметом может привести к ее повреждению.*

Выключите принтер, откройте крышку рулона бумаги и почистите термопечатающие элементы головки хлопчатобумажным тампоном, увлажненным растворителем на спиртовой основе (этиловым, метиловым или изопропиловым спиртом). См. иллюстрацию **O** на страниц iv.

Для того, чтобы обеспечивалось достаточно высокое качество печати квитанций, фирма Epson рекомендует производить очистку термопечатающей головки регулярно (как правило, каждые 3 месяца).

Установка DIP-переключателей

ВНИМАНИЕ!

Прежде чем снимать крышку DIP-переключателей, обязательно выключите принтер. Снятие крышки при включенном принтере может привести к электрическому разряду, который может вызвать неисправность принтера.

1. Выключите принтер.
2. Переверните принтер.
3. Снимите крышку DIP-переключателей, выкрутив винт, как показано на иллюстрации **P** на страниц iv.
4. Установите DIP-переключатели в нужное положение при помощи инструмента с тонким острием.
5. Снова установите крышку DIP-переключателей и закрепите ее при помощи винта.

Новые установки вступают в силу после включения принтера.

WEEE (Waste Electrical and Electronic Equipment) Directive

This information only applies to customers in the European Union, according to Directive 2002/96/EC OF THE EUROPEAN PARLIAMENT AND OF THE COUNCIL OF 27 January 2003 on waste electrical and electronic equipment (WEEE) and legislation transposing and implementing it into the various national legal systems.

For other countries, please contact your local government to investigate the possibility of recycling your product.



English

The crossed out wheeled bin label that can be found on your product indicates that this product should not be disposed of via the normal household waste stream. To prevent possible harm to the environment or human health please separate this product from other waste streams to ensure that it can be recycled in an environmentally sound manner. For more details on available collection facilities please contact your local government office or the retailer where you purchased this product.

Deutsch

Der Aufkleber mit durchgekreuzter Mülltonne an diesem Produkt weist darauf hin, dass dieses Produkt nicht im normalen Hausmüll entsorgt werden darf. Zur Vermeidung einer möglichen Beeinträchtigung der Umwelt oder der menschlichen Gesundheit und um zu gewährleisten, dass es in einer umweltverträglichen Weise recycelt wird, darf dieses Produkt nicht in den Hausmüll gegeben werden. Informationen zu Entsorgungseinrichtungen erhalten Sie bei der zuständigen Behörde oder dem Geschäft, in dem Sie dieses Produkt erworben haben.

Français

L'étiquette apposée sur ce produit et représentant une poubelle barrée indique que le produit ne peut être mis au rebut avec les déchets domestiques normaux. Afin d'éviter d'éventuels dommages au niveau de l'environnement ou sur la santé, veuillez séparer ce produit des autres déchets de manière à garantir qu'il soit recyclé de manière sûre au niveau environnemental. Pour plus de détails sur les sites de collecte existants, veuillez contacter l'administration locale ou le détaillant auprès duquel vous avez acheté ce produit.

Italiano

L'etichetta con il contenitore barrato applicata sull'imballo indica che il prodotto non deve essere smaltito tramite la procedura normale di smaltimento dei rifiuti domestici. Per evitare eventuali danni all'ambiente e alla salute umana, separare questo prodotto da altri rifiuti domestici in modo che possa essere riciclato in base alle procedure di rispetto dell'ambiente. Per maggiori dettagli sulle strutture di raccolta disponibili, contattare l'ufficio competente del proprio comune o il rivenditore del prodotto.

Español

La etiqueta de un contenedor tachado que hallará en su producto indica que este producto no se puede tirar con la basura doméstica normal. Para impedir posibles daños medioambientales o para la salud, separe este producto de otros canales de desecho para garantizar que se recicle de una forma segura para el medio ambiente. Para más información sobre las instalaciones de recolección disponibles, diríjase a las autoridades locales o al punto de venta donde adquirió este producto.

Português

A etiqueta com o símbolo de um contentor de lixo traçado com uma cruz que aparece no produto indica que este produto não deve ser deixado fora juntamente com o lixo doméstico. Para evitar possíveis danos no ambiente ou na saúde pública, por favor separe este produto de outros lixos; desta forma, terá a certeza de que pode ser reciclado através de métodos não prejudiciais ao ambiente. Para obter mais informações sobre os locais de recolha de lixo disponíveis, contacte a sua junta de freguesia, câmara municipal ou localonde comprou este produto.

Nederlands

Op uw product is een label van een rolcontainer met een kruis erdoor aangebracht. Dit label wil zeggen dat dit product niet bij het normale huishoudelijk afval mag worden ingezameld. Om eventuele schade aan het milieu of de gezondheid van de mens te voorkomen moet dit product gescheiden van al het ander afval worden ingezameld, zodat het op een verantwoorde wijze kan worden verwerkt. Voor meer informatie over uw lokale afvalinzameling wendt u zich tot uw gemeente of de leverancier bij wie u dit product hebt gekocht.

Dansk

Etiketten med et kryds over skraldespanden på hjul, der sidder på produktet, angiver, at dette produkt ikke må bortskaffes sammen med almindeligt husholdningsaffald. For at beskytte miljøet og helbred skal dette produkt bortskaffes separat, så det kan genbruges på en måde, der er god for miljøet. Kontakt de lokale myndigheder eller den forhandler, hos hvem du har købt produktet, vedrørende steder, hvor du kan aflevere produktet.

Suomi

Laitte on merkitty jäteastia-symbolilla, jonka yli on vedetty rasti. Tämä tarkoittaa, ettei laitetta saa hävittää normaalin talousjätteen mukana. Älä hävitä laitetta normaalin jätteen seassa vaan varmista, että laite kierrätetään ympäristöystävällisellä tavalla, jottei ympäristölle tai ihmisille aiheudu vahinkoa. Lisätietoja kierrätyksestä ja keräyspisteistä saa ottamalla yhteyttä paikallisiin viranomaisiin tai jälleenmyyjään, jolta laite ostettiin.

Svenska

Symbolen med en överkorsad soptunna innebär att denna produkt inte får kastas i vanligt hushållsavfall. För att skydda miljön ska denna produkt inte kastas tillsammans med vanligt hushållsavfall utan lämnas för återvinning på tillbörligt sätt. För mer information om uppsamlingsplatser kontakta din lokala myndighet eller den återförsäljare där du har köpt produkten.

Norsk

Det er krysset over merket av beholderen på hjul som vises på produktet, som angir at dette produktet ikke skal kastes sammen med vanlig husholdningsavfall. Hold dette produktet atskilt fra annet avfall slik at det kan resirkuleres på en miljømessig forsvarlig måte og dermed forhindre eventuell skade på miljøet eller helse. Hvis du vil ha mer informasjon om hvor produktet kan leveres inn, kontakter du kommunale myndigheter eller forhandleren der du kjøpte dette produktet.

Česky

Štítek s přeškrtnutým odpadkovým košem na kolečkách, který lze nalézt na výrobku, označuje, že tento produkt se nemá likvidovat s běžným domovním odpadem. V zájmu ochrany životního prostředí a lidského zdraví zlikvidujte tento výrobek jako tříděný odpad, který se recykluje způsobem šetrným k životnímu prostředí. Podrobnější informace o sběrných dvorech pro tříděný odpad získáte na obecním úřadě nebo u prodejce, u kterého jste příslušný výrobek zakoupili.

Magyar

A terméken található, áthúzott szemetest ábrázoló címke azt jelzi, hogy ezt a terméket nem szabad a rendes háztartási szeméttel együtt kidobni. Az esetleges környezeti- vagy egészségkárosodást megelőzendő, kérjük, hogy ezt a terméket a többi szeméttől elkülönítve helyezze el, és biztosítsa, hogy azt környezetbarát módon újrahasznosítsák. A rendelkezésére álló begyűjtő létesítményekről kérjük tájékozódjon a megfelelő helyi állami szerveknél vagy a vízszinteladónál, ahol a terméket vásárolta.

Polski

Symbol przekreślonego kosza znajdujący się na produkcji oznacza, że nie może on być utylizowany razem z normalnymi odpadami z gospodarstwa domowego. Aby zapobiec potencjalnemu zagrożeniu dla środowiska lub zdrowia ludzkiego, produkt ten należy odseparować od reszty odpadów z gospodarstwa domowego i utylizować w ekologicznie właściwy sposób. Szczegółowe informacje na temat punktów zbiórki odpadów można uzyskać w lokalnych urzędach lub u sprzedawcy danego produktu.

Slovensky

Štítok s přeškrtnutým odpadkovým košom na kolieskach, ktorý je možné nájsť na výrobku, označuje, že tento produkt sa nemá likvidovať s bežným komunálnym odpadom. V záujme ochrany životného prostredia a ľudského zdravia zlikvidujte tento výrobok ako triedený odpad, ktorý sa recykluje spôsobom šetrným k životnému prostrediu. Podrobnejšie informácie o zberných dvoroch pre triedený odpad získate na obecnom úrade alebo u predajcu, u ktorého ste príslušný výrobok zakúpili.

Slovenski

Prečrtan koš za smeti na etiketi, katero lahko najdete na vašem izdelku, pomeni, da tega izdelka ne smete odvreči podobno kot vse ostale smeti. Da bi preprečili morebitne škodljive vplive na okolje ali zdravje, ločite izdelek od vseh ostalih in poskrbite, da bo recikliran na okolju prijazen način. Natančne informacije o tem, kje se nahajajo primerna odlagališča, pridobite v vašem krajevnem uradu ali pri prodajalcu.

Eesti

Teie tootele kleebitud tähis, mis kujutab ratastega prügikonteinerit, millele on rist peale tõmmatud, keelab toote kõrvaldamise majapidamisjäätmetega sarnasel viisil. Keskkonnale või inimeste tervisele tekitatava võimaliku kahju vältimiseks eraldage toode teistest jäätmetest, et tagada selle korduvkasutamine keskkonnasäästlikul viisil. Kui soovite saada rohkem teavet võimalike kogumispunktide kohta, võtke ühendust kohaliku omavalitsuse ametnikuga või teile toote müünud jaemüüjaga.

Lietuviškai

Užbraukta ratuota šiukšladižės etiketė, kurią rasite ant jūsų produkto, reiškia, kad šis produktas neturėtų būti išmestas kartu su įprastinėmis buitinėmis šiukšlėmis. Siekiant išvengti galimos žalos aplinkai bei žmonių sveikatai, prašome atskirti šį produktą nuo kitų atliekų, ir įsitikinti, kad jis būtų perdirbtas aplinkai nepavojingu būdu. Jei reikia išsamesnės informacijos apie atliekų surinkimo ypatumus, prašome kreiptis į savo vietos valdžios įstaigas arba į mažmeninį pardavėją, iš kurio jūs įsigijote šį produktą.

Latviski

Marķējums ar pārsvītrotu atkritumu tvertni uz rītenīšiem, kas redzams uz izstrādājuma, norāda, ka šo izstrādājumu nedrīkst likvidēt kopā ar parastajiem sadzīves atkritumiem. Lai novērstu iespējamo kaitējumu videi vai cilvēku veselībai, lūdzam, atdaliet šo izstrādājumu no citiem atkritumiem, tādējādi nodrošinot tā otrreizējo pārstrādi videi drošā veidā. Papildinformācijai par pieejamajām atkritumu savākšanas iespējām, lūdzam, sazinieties ar vietējo pašvaldību vai mazumtirgotāju, no kura jūs iegādājāties šo izstrādājumu.

Ελληνικά

Η διαγραμμένη ετικέτα του τροχοφόρου κάδου απορριμμάτων που θα βρείτε πάνω στο προϊόν σας υποδεικνύει ότι αυτό το προϊόν δεν πρέπει να απορριπτείτα μέσω του κανονικού δικτύου αποκομιδής οικιακών απορριμμάτων. Για να αποτρέψετε πιθανές επιπτώσεις στο περιβάλλον ή την ατομική υγεία, παρακαλούμε να διαχωρίσετε αυτό το προϊόν από άλλα δίκτυα αποκομιδής ώστε να διασφαλίσετε ότι είναι δυνατή η ανακύκλωσή του με έναν περιβαλλοντικά θετικό τρόπο. Για περισσότερες πληροφορίες σχετικά με τις διαθέσιμες δυνατότητες συλλογής απορριμμάτων, παρακαλούμε να επικοινωνήσετε με την τοπική κυβερνητική αρχή ή το κατάστημα λιανικής από όπου αγοράσατε αυτό το προϊόν.

Türkçe

Ürününüzün üzerinde bulunan çarpi işaretli tekerlekli kutu etiketi, bu ürünün normal ev atık sistemi vasıtasıyla elden çıkarılmaması gerektiğini gösterir. Çevreye ve insan sağlığına zarar vermeyi önlemek için, lütfen bu ürünü çevreye zarar vermeyecek şekilde geri dönüşüme tabi tutulmak üzere diğer atıklarından ayırın. Mevcut toplama tesisleri ile ilgili ayrıntılı bilgi edinmek için, yerel devlet makamlarına veya bu ürünü satın aldığınız satıcıya irtibata geçin.

Română

Eticheta arătând un coș de gunoi tăiat cu două linii încurcigate, care poate fi găsită pe produs, indică faptul că acesta nu trebuie aruncat la gunoi laolaltă cu gunoiul menajer. Pentru a evita posibila degradare a mediului înconjurător sau a sănătății umane, colectați separat acest produs de gunoiul menajer pentru a vă asigura că poate fi reciclat într-un mod ecologic. Pentru mai multe detalii privind punctele disponibile de colectare, contactați autoritățile locale sau comerciantul de la care ați achiziționat acest produs.

Български

Етикетът, представляващ зачертано кошче за боклук в кръг, който можете да видите върху вашия продукт, означава, че този продукт не трябва да се изхвърля заедно с обикновените домакински отпадъци. За предпазване от евентуални щети върху околната среда или човешкото здраве, моля, отделете този продукт от останалите отпадъци, за да се гарантира, че той ще бъде рециклиран по екологично съобразен начин. За повече информация относно наличните места за събиране на отпадъци, моля, свържете се с местните власти или търговеца, от когото сте закупили този продукт.

Printed in China