

OKI



User's Guide

C920WT/ES9420WT



PREFACE

Every effort has been made to ensure that the information in this document is complete, accurate, and up-to-date. The manufacturer assumes no responsibility for the results of errors beyond its control. The manufacturer also cannot guarantee that changes in software and equipment made by other manufacturers and referred to in this guide will not affect the applicability of the information in it. Mention of software products manufactured by other companies does not necessarily constitute endorsement by the manufacturer.

While all reasonable efforts have been made to make this document as accurate and helpful as possible, we make no warranty of any kind, expressed or implied, as to the accuracy or completeness of the information contained herein.

The most up-to-date drivers and manuals are available from the Oki web site:
<http://www.okiprintingsolutions.com>

45320002EE Rev1; Copyright © 2012 All rights reserved.

OKI is a registered trademark of Oki Electric Industry Co., Ltd.

Oki Printing Solutions is a registered trademark of Oki Data Corporation.

Microsoft, MS-DOS and Windows are registered trademarks of Microsoft Corporation.

Apple, Macintosh, Mac and Mac OS are registered trademarks of Apple Inc. Other product names and brand names are registered trademarks or trademarks of their proprietors.



This product complies with the requirements of the Council Directives 2004/108/EC (EMC), 2006/95/EC (LVD), 1999/5/EC (R&TTE) and 2009/125/EC (ErP), as amended where applicable, on the approximation of the laws of the member states relating to Electromagnetic Compatibility, Low Voltage, Radio & Telecommunications Terminal Equipment and Energy Related Products.

CAUTION!

This product complies with EN55022 Class B. However, when fitted with the optional finisher, compliance to EN55022 is Class A. In a domestic environment this configuration may cause radio interference, in which case the user may be required to take adequate measures.

The following cables were used to evaluate this product to achieve EMC directive 2004/108/EC compliance and configurations other than this may affect that compliance.

CABLE TYPE	LENGTH (METRE)	CORE	SHIELD
Power	1.8	✗	✗
USB	5.0	✗	✓
Parallel	1.8	✗	✓
LAN	15.0	✓	✗

EMERGENCY FIRST AID

Take care with toner powder:

If swallowed, give small amounts of cold water and seek medical attention. **DO NOT** attempt to induce vomiting.



If inhaled, move the person to an open area for fresh air. Seek medical attention.

If it gets into the eyes, flush with large amounts of water for at least 15 minutes keeping eyelids open. Seek medical attention.

Spillages should be treated with cold water and soap to help reduce risk of staining skin or clothing.

MANUFACTURER

Oki Data Corporation,
4-11-22 Shibaura, Minato-ku,
Tokyo 108-8551,
Japan

IMPORTER TO THE EU/AUTHORISED REPRESENTATIVE

Oki Europe Limited (trading as Oki Printing Solutions)
Blays House
Wick Road
Egham
Surrey, TW20 0HJ
United Kingdom

For all sales, support and general enquiries contact your local distributor.

ENVIRONMENTAL INFORMATION



CONTENTS

Preface	2
Emergency first aid.	3
Manufacturer	3
Importer to the EU/authorised representative . . .	3
Environmental information.	3
Notes, cautions and warnings!	8
Safety warnings	8
Introduction	14
Features	14
About this guide.	16
Software supplied.	17
Online usage	18
Printing pages	18
Printer and paper overview	20
Opening and closing the top cover	20
Identifying major components	22
Paper recommendations	28
Transparencies	28
Paper input and output information	29
Trays and stackers	29
Trays 1 to 3	29
MP tray.	30
Face-down stacker.	30
Face-up stacker.	30
Tray and stacker examples	31
Loading Trays 1 to 3	31
Using the MP Tray	33
Using the stackers	35
Control panel	38
Buttons and lights	38
Display Panel messages	40
Status information	40
Menu (Functions) information	40
Configuration information	41
Help mode	41
Display Panel messages	41
Using the menus	41
Getting started	43

Printer location	43
Turning Off/On.	44
Changing the display language	46
Checking current settings	47
Interfaces and connection	48
Connecting the parallel interface	49
Connecting the USB interface	49
Connecting the network interface	50
Using the Drivers CD	51
How to access the driver screens.	52
Printing preferences in Windows applications.	53
Postscript driver	53
Changing the driver defaults	54
Changing the application's driver settings.	54
Setting the driver device options	55
Windows	55
Mac OS X	55
Color setting	56
Color Mode	56
Color Print	56
Gray Scale (White) Print.	58
Print Mode.	60
White On	60
White Off	60
Finishing options	62
Collating	63
Windows	64
Mac OS X	65
Separating queued print jobs.	66
Windows separator page.	66
Mac OS X cover page	67
Cover print	68
Mac OS X	68
Custom page size.	69
Windows.	69
Mac OS X	71
Printing multiple pages on one sheet (n-up)	72
Windows.	72
Mac OS X	73
Scale to page.	74
Mac OS X	74
Transfer/transparency film printing	75

Windows	75
Mac OS X	76
How to print with application setting	77
Adobe Photoshop	77
Adobe Illustrator	78
Consumables and maintenance	79
Checking consumable/maintenance item usage	79
Replacement indications	79
Replacing consumables/maintenance items	79
Toner cartridge replacement	80
Image drum replacement	86
When replacing the image drum cartridge and toner cartridge at the same time	86
When replacing the image drum cartridge only	93
Transfer belt replacement	100
Fuser cover sheet replacement	107
Fuser replacement	110
Waste toner box replacement	115
Cleaning the LED heads	118
Cleaning the paper feed rollers of the MP tray	120
Cleaning the paper feed rollers of Tray 1	127
Cleaning the printer casing	130
Optional accessories	132
Installing accessories	133
Troubleshooting	134
General	134
Paper Jams	134
Paper jams – printer	134
Open cover, paper jam, tttttt side cover	134
Open cover, paper jam, side cover	136
Open cover, paper jam, top cover	138
Avoiding paper jams	144
Dealing with unsatisfactory printing	145
Specifications	148
Appendix A – Display Panel Messages	150
Appendix B – Menu system	152
Configuration	153
Print Page Count	153
Supplies Life	153
Network	154
Paper Size in Tray	154

System	155
Print Information	156
Print Information example – demonstration page	157
Menus	158
Tray Configuration	158
System Adjust.	162
Menus example 1 – Tray 1 transparencies	165
Menus example 2 – MP Tray paper size	166
Oki contact details	167

NOTES, CAUTIONS AND WARNINGS!

NOTE

A note provides additional information to supplement the main text.

CAUTION!

A caution provides additional information which, if ignored, may result in equipment malfunction or damage.

WARNING!

A warning provides additional information which, if ignored, may result in a risk of personal injury.

Specifications subject to change without notice. All trademarks acknowledged.

SAFETY WARNINGS

Please be careful to read and understand the safety warnings on the following pages before operating the printer.

Illustrations

Illustrations and components are representative only. Your unit may differ slightly from those pictured in this document.

WARNING!



Ensure all warning and instruction labels on the product are read, understood and followed in order to prevent any risk of injury.



Ensure this and all other documentation is both read carefully and retained for future reference.



This printer unit weighs 167.5 lbs (76kg). 3 people are required to lift the printer safely and prevent any risk of personnel injury.



The product must be placed on a flat solid surface strong enough to support its weight to prevent any risk of injury.



Ensure that there is adequate ventilation all around the product to prevent overheating and any risk of fire.



Keep the product away from direct heat sources such as radiators and out of direct sunlight to prevent any risk of overheating.



Ensure the power source matches the rating on the product labelling. If in any doubt consult your dealer or power provider to ensure no risk of fire or shock exists.



Ensure both the printer and mains power switches are in the OFF position before connecting the AC power cable.

WARNING!



This product has an earthed plug as a safety feature and will only connect to an earthed socket. Do not attempt to defeat the earthing or there is a risk of fire or shock.



If using an extension cable or power strip ensure that the total current rating (amperes) of all connected equipment is less than the maximum rating of the extension cable, power strip or wall outlet. Otherwise fire or shock may occur.



Ensure the power cable is routed so as not to be damaged or cause a trip hazard. If the cable becomes frayed or damaged replace it immediately to prevent any risk of shock.



Do not twist, constrict or knot the power cable as this can cause overheating which may lead to fire or electric shock.



Ensure the power socket to which the printer is connected is easily accessible at all times.



Do not connect or disconnect the power plug with a wet hand as this may cause electric shock.



Always hold the power plug to connect/ disconnect the power cable to/from the mains socket. Unplugging by pulling on the cable can cause fraying and may lead to fire or electric shock.

WARNING!



Use only the power cable supplied. Using a power cable not intended for this product may lead to fire or electric shock.



To avoid risk of fire and electric shock, do not use the power cable supplied with this product for any other electrical equipment.



If you do not connect the power cord or any other cables only as directed in the User's Guide, this may result in a fire.



Ensure loose clothing and hair are kept clear of moving parts when printer is in operation to prevent possible risk of injury.



When the printer cover is open, do not touch the fuser unit as you may receive burns. Allow it to cool before touching and always use the handle to lift the fuser.



If the printer casing gets extremely hot or smoke, unusual smells or abnormal noises are emitted from the printer, there is a risk of fire. Unplug the mains connector and contact your dealer.



If the printer has been knocked over or damaged, there is a risk of electric shock, fire and/or injury. Unplug the mains connector and contact your dealer.

WARNING!



If any liquid (for example water) is allowed to enter the printer, there is a risk of fire. Unplug the mains connector and contact your dealer.



Do not place containers containing liquid on the printer as electric shock, fire and/or injuries may occur.



If any foreign objects (for example clips) are allowed to enter the printer, there is a risk of electric shock, fire and/or injury. Unplug the mains connector before removing the object.



Do not introduce foreign objects into the ventilation holes or operate the printer with the rear cover open as electric shock, fire and/or injuries may occur.



Do not use an extremely flammable spray near the printer as the printer contains high temperature parts that may cause a fire.



Switch printer off before cleaning to prevent any risk of injury. Clean using a damp cloth. Do not use liquid or aerosol cleaners.



Do not carry out any operations on the printer that are not specified in the User's Guide. This may result in electric shock, fire and/or injury.

WARNING!



Risk of explosion if battery is replaced by an incorrect type. Do not touch the battery. Printer battery should not require replacement during the life of the printer.



After installing additional memory or a hard disk drive, the cover door must be closed and secured to prevent risk of fire.



Take care with toner powder. If swallowed induce vomiting and seek medical attention. Never attempt to induce vomiting if person is unconscious.



Take care with toner powder. If inhaled move the person to an open area for fresh air. Seek medical attention.



Take care with toner powder. If it gets into the eyes flush with large amounts of water for at least 15 minutes keeping eyelids open. Seek medical attention.



Take care with toner powder. Spillages should be treated with cold water and soap to help reduce risk of staining skin or clothing.



Do not throw toner cartridges or image drum cartridges into a fire as you may receive burns from a dust explosion.

INTRODUCTION

Congratulations on buying an Oki color printer. Your new printer is designed with advanced features to give you clear, vibrant color prints and crisp black and white pages at high speed on a range of print media for the office.

FEATURES

The following features are standard on all models:

- > Up to 31 pages per minute in full color for fast printing of high impact color presentations and other documents
- > 1200 x 600 dpi (dots per inch) print resolution for high quality image production showing the finest detail
- > Multilevel technology produces subtler tones and smoother gradations of color to lend photographic quality to your documents
- > Single Pass Color Digital LED technology for high speed processing of your printed pages
- > 10BASE-T, 100BASE-TX and 1000Base-T network connection lets you share this valuable resource among users on your office network
- > USB 2.0 and parallel (IEEE-1284) interfaces
- > Adobe PostScript 3™

Additionally, the following features are available:

- > Hard disk drive enables spooled and verified printing

NOTE

This is an optional feature on the C920WT/ES9420WT model.

- > Additional paper trays for loading a further 530 sheets at a time to minimize operator intervention, or different paper stocks for letterhead stationery, alternative paper sizes or other print media:

- 2nd/3rd Tray (530 sheets each)

NOTE

Tray configurations are: Tray 1 only, Tray 1 + Cabinet, Tray 1 + 2nd Tray, Tray 1 + 2nd Tray + Cabinet, Tray 1 + 2nd Tray + 3rd Tray

- > Additional memory

ABOUT THIS GUIDE

NOTE

Images used in this manual may include optional features that your printer does not have installed.

This manual is your user's guide (check the web site, www.okiprintingsolutions.com, for the most up-to-date version) for your printer and forms part of the overall user support listed below:

- > **Installation Safety Booklet:** as with all electrical equipment, there are a few basic precautions that should be taken to avoid injury or damage. Please be careful to read and understand the safety warnings in the Safety Booklet before operating the product.

This is a paper document that is packaged with the printer.

- > **Set-up guide:** to describe how to unpack, connect and turn on your printer.

This is a paper document that is packaged with the printer.

- > This **User's Guide:** to help you to become familiar with your printer and make the best use of its many features. Also included are guidelines for troubleshooting and maintenance to ensure that it performs at its best. Additionally, information is provided for adding optional accessories as your printing needs evolve.

This is an electronic document.

- > **Network Guide:** to provide machine configuration and network configuration information.

This is an electronic document.

- > **Installation Guides:** accompany consumable items and optional accessories to describe how to install them.

These are paper documents that are packaged with the consumables and optional accessories.

- > **Online Help:** online information accessible from the printer driver and utility software.

SOFTWARE SUPPLIED

CD:

- > Drivers, Utilities software and User's Guides

Contains drivers and Utilities software for use by a general user and system administrators.

Contains documentation in electronic form to describe how to use the printer for day-to-day printing tasks.

ONLINE USAGE

This guide is intended to be read on screen using an Adobe Acrobat Reader. Use the navigation and viewing tools provided in Acrobat.

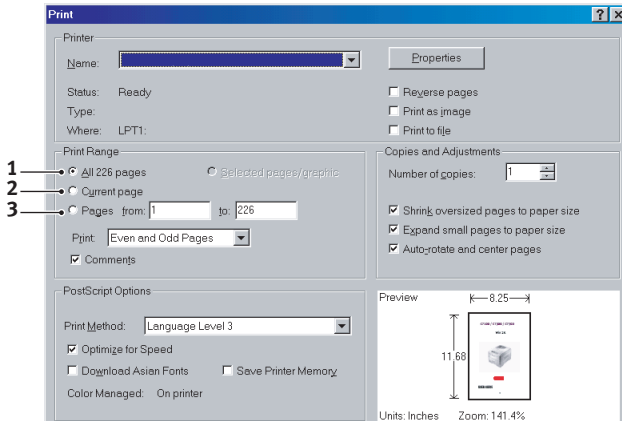
You can access specific information in two ways:

- > In the list of bookmarks down the left hand side of your screen, click on the topic of interest to jump to the required topic. (If the bookmarks are not available, use the “Contents” on page 4.)

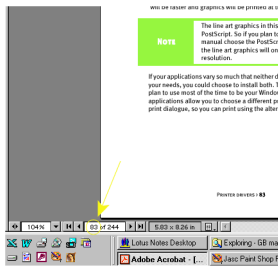
PRINTING PAGES

The whole manual, individual pages, or sections may be printed. The procedure is:

1. From the toolbar, select [File], then [Print] (or press the Ctrl + P keys).
2. Choose which pages you wish to print:
 - (a) [All pages], (1), for the entire manual.
 - (b) [Current page], (2), for the page at which you are looking.



- (c) [Pages from] and [to], (3), for the range of pages you specify by entering their page numbers.



3. Click on [OK].

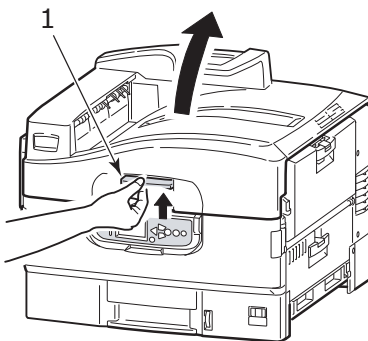
PRINTER AND PAPER OVERVIEW

OPENING AND CLOSING THE TOP COVER

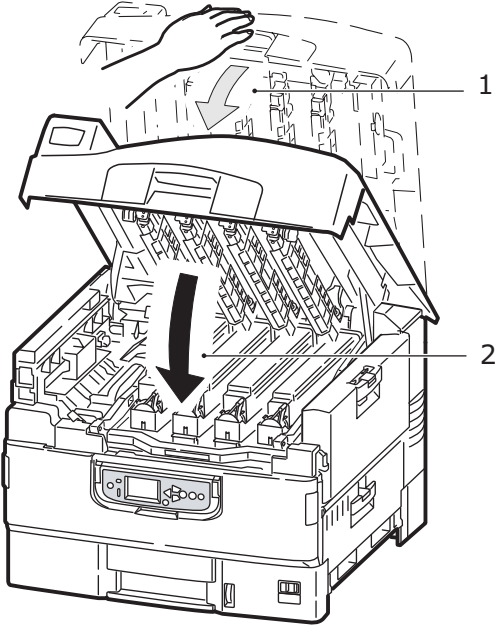
CAUTION!

To gain access to the inside of the printer, ensure that the top cover is fully opened.

To open the top cover, squeeze the top cover handle (1) to release the catch and raise the cover.



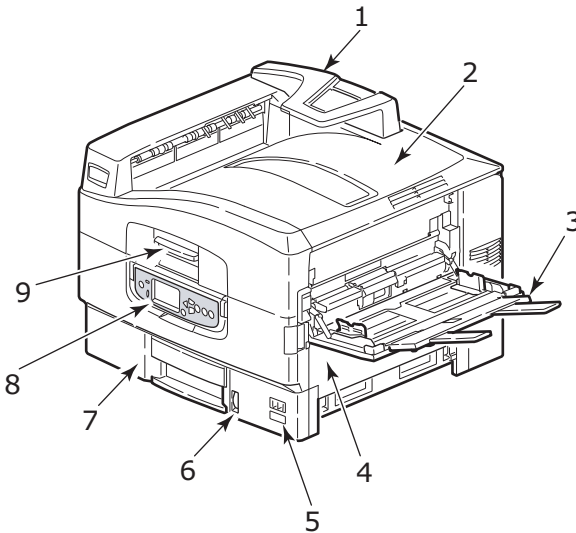
To close the top cover, push gently (1) until the cover stops midway and then push harder (2) to close the cover completely. Ensure that the cover is securely closed.



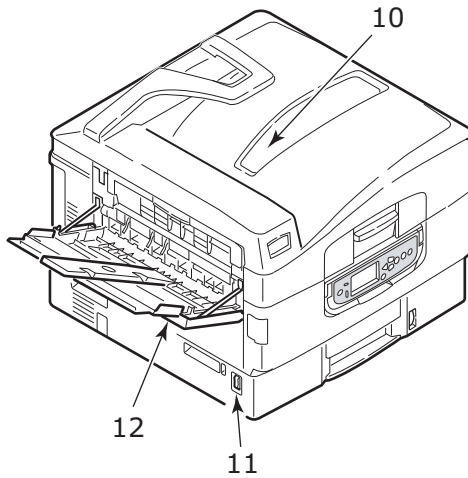
IDENTIFYING MAJOR COMPONENTS

The major components of your printer are identified in the graphics below.

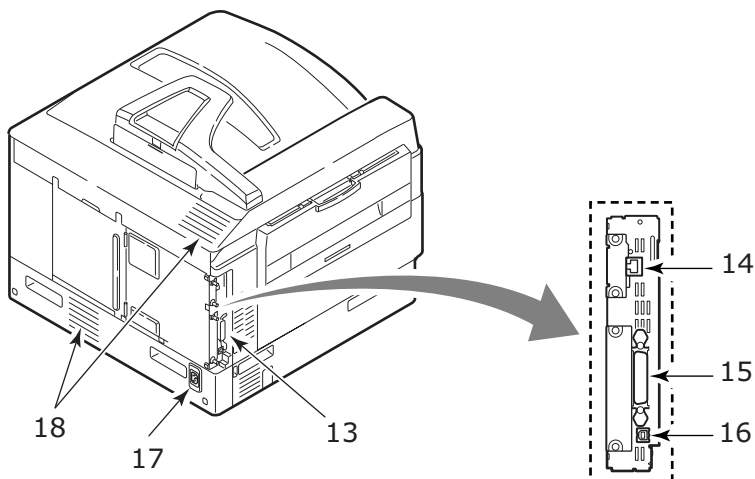
1. Paper holding arm
2. Top cover (face-down stacker)
3. MP Tray (multi-purpose tray)
4. Tray 1 side cover
5. Paper size label
6. Paper gauge
7. Tray 1 (paper tray)
8. Control panel
9. Top cover handle



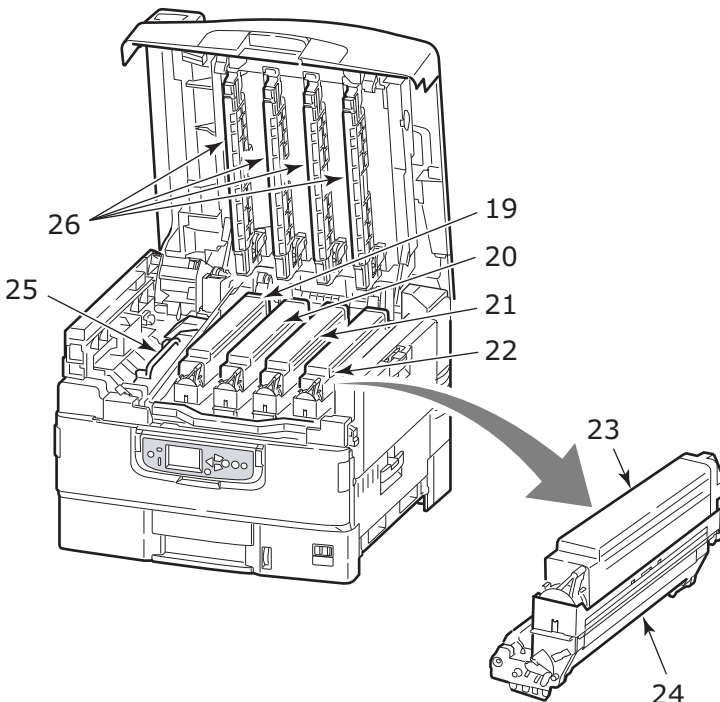
- 10.** Face-down stacker
- 11.** Power (on/off) switch
- 12.** Face-up stacker



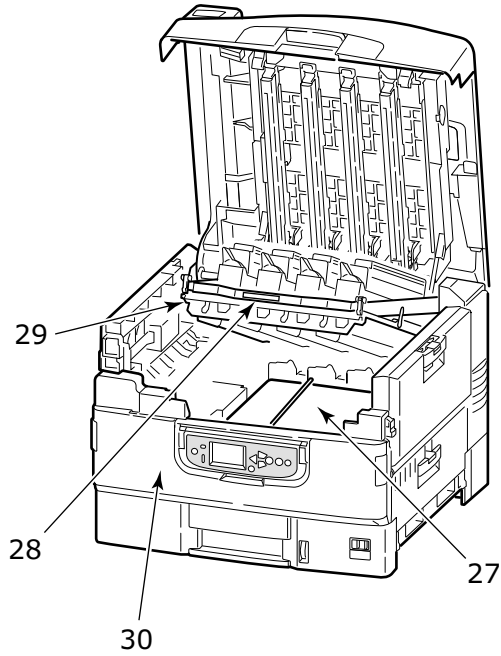
- 13.** Interface unit
- 14.** Network interface connector
- 15.** Parallel interface connector
- 16.** USB interface connector
- 17.** Power connector
- 18.** Ventilation openings



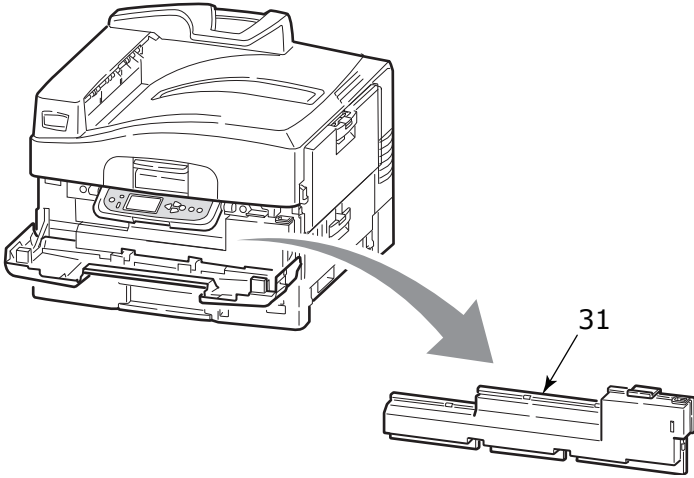
- 19.** Image drum cartridge and toner cartridge (White)
- 20.** Image drum cartridge and toner cartridge (Magenta)
- 21.** Image drum cartridge and toner cartridge (Yellow)
- 22.** Image drum cartridge and toner cartridge (Cyan)
- 23.** Toner cartridge
- 24.** Image drum cartridge
- 25.** Fuser unit (Specifically for C920WT/ES9420WT)
- 26.** LED heads



- 27.** Belt unit (Specifically for C920WT/ES9420WT)
- 28.** Drum basket handle
- 29.** Drum basket
- 30.** Front cover



31. Waste toner box



PAPER RECOMMENDATIONS

Your printer will handle a variety of print media, including a range of paper weights and sizes, transparencies and envelopes. This section provides general advice on choice of media, and explains how to use each type.

The best performance will be obtained when using standard weight 75 – 90 g/m² paper designed for use in copiers and laser printers. Suitable types are:

- > M-Real Data Copy 80 g/m²
- > Color Copy by Mondi

Use of heavily embossed or very rough textured paper is not recommended.

Pre-printed stationery can be used, but the ink must not offset when exposed to the high fuser temperatures used in the printing process.

TRANSPARENCIES

CAUTION!

Transparencies should be of the type designed for use in copiers and laser printers. In particular, avoid office transparencies designed for use by hand with marker pens. These will melt in the fuser and cause damage.

Recommended type is:

CG3700 by 3M (A4 or Letter size)

PAPER INPUT AND OUTPUT INFORMATION

The following table relates paper parameters to input trays (Tray 1 to Tray 3 (numbering from the top) and MP Tray) and to output areas (Face-down stacker and Face-up stacker).

TYPE	SIZE	WEIGHT	INPUT / OUTPUT
Plain paper	A3, A3 Nobi, A3 Wide, A4, A5, A6, B4, B5, Letter, Legal 13, Legal 13.5, Legal 14, Executive, Tabloid, Tabloid Extra	64 – 216 g/m ²	Any Tray Any Stacker
		217 – 300 g/m ²	MP Tray Face-up Stacker
	Custom: W: 100 – 328 mm L: 148 – 457.2 mm	64 – 216 g/m ²	Any Tray Face-up Stacker
	Custom: W: 79.2 – 328 mm L: 90 – 457.2 mm	64 – 300 g/m ²	MP Tray Face-up Stacker
Transparencies ^a	A4, Letter	0.1 – 0.11 mm	Tray 1 or MP Tray Face-up Stacker

a See important comments in ["Paper recommendations"](#) on page 28.

TRAYS AND STACKERS

TRAYS 1 TO 3

Tray 1 is the standard blank paper input tray and can hold up to 530 sheets of 75 g/m² paper. Additional trays, to give a total of three, can be added as an option to give a total tray capacity of 1590 sheets of 75 g/m² paper.

If you have identical paper stock loaded in another tray (for example Tray 2 or the MP Tray), you can have the printer automatically switch to that other tray when the current tray runs out of paper. This function can be enabled by driver settings when printing from a Windows application or by a menu setting when printing from other applications.

MP TRAY

The multi-purpose tray is used for media sizes additional to those of the standard trays, heavier media weights and special media.

The multi-purpose tray can handle the same sizes as the standard trays but in weights up to 300 g/m². For very heavy paper stock use the face-up paper stacker. This ensures that the paper path through the printer is almost straight.

The multi-purpose tray can feed paper widths as small as 76.2 mm and lengths up to 457.2 mm. Since paper of width less than 100 mm does not auto feed, you have to press the ONLINE button to cause it to feed.

Use the multi purpose tray for printing on envelopes and transparencies. Up to 100 sheets of transparencies or 25 envelopes can be loaded at one time, subject to a maximum stacking depth of 25 mm.

Paper or transparencies should be loaded print side up and top edge into the printer.

FACE-DOWN STACKER

The face-down stacker on the top of the printer can hold up to 500 sheets of 80 g/m² standard paper, and can handle paper stocks from 64 – 216 g/m². Pages printed in reading order (page1 first) will be sorted in reading order (last page on top, facing down).

FACE-UP STACKER

The face-up stacker should be opened and the tray extension pulled out when required for use. (With the face-up stacker either open or closed, the driver setting of Face Down will successfully direct prints to the Face-Down stacker.)

The face-up stacker can hold up to 200 sheets of 80 g/m² standard paper and can handle stocks up to 300 g/m².

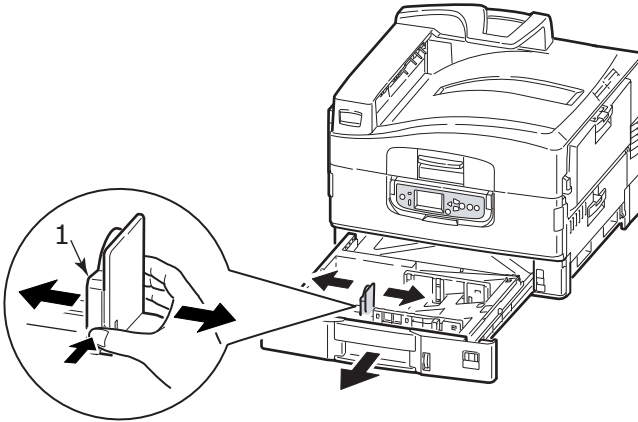
Always use this stacker and the multi-purpose feeder for paper stocks heavier than 216 g/m².

TRAY AND STACKER EXAMPLES

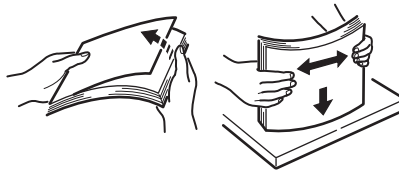
LOADING TRAYS 1 TO 3

Tray 1 is used in the following example.

1. Pull out the tray.
2. Press the paper rear stopper tab (1) and adjust the tab to the required paper size.



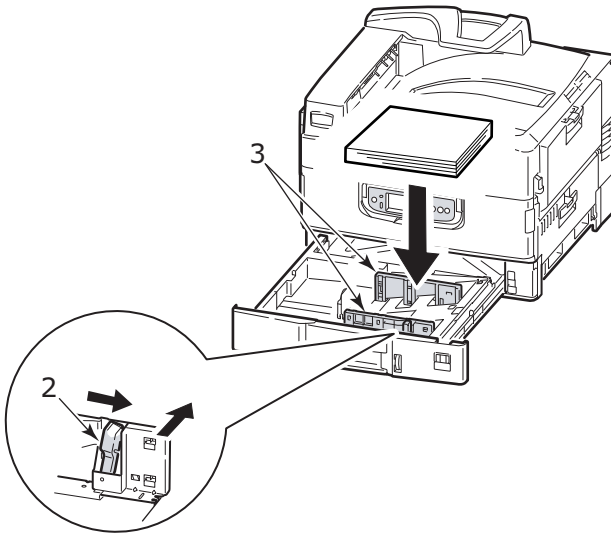
3. Fan the paper to be loaded then tap the edges of the stack on a flat surface to make it flush.



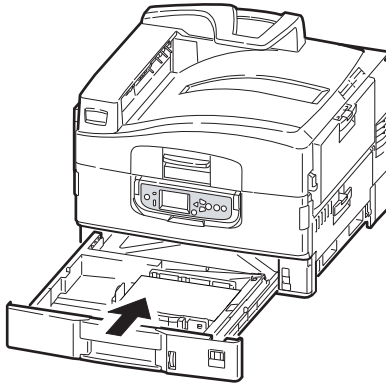
4. Load the paper (face down and top edge towards the right for letterhead paper), press the tab (2) on the paper guide and adjust the guides (3) for a snug fit to the paper.

To avoid paper jams:

- Do not leave space between the paper and the guides and rear stopper.
- Do not overfill the paper tray. Capacity depends on the paper type.
- Do not load damaged paper.
- Do not load paper of different sizes or types at the same time.

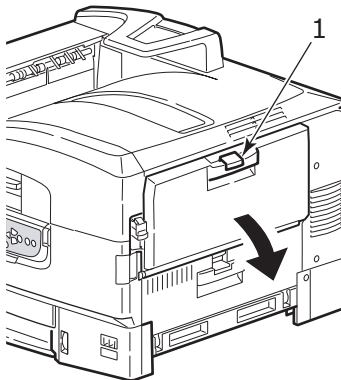


5. Gently push the tray back into the printer.

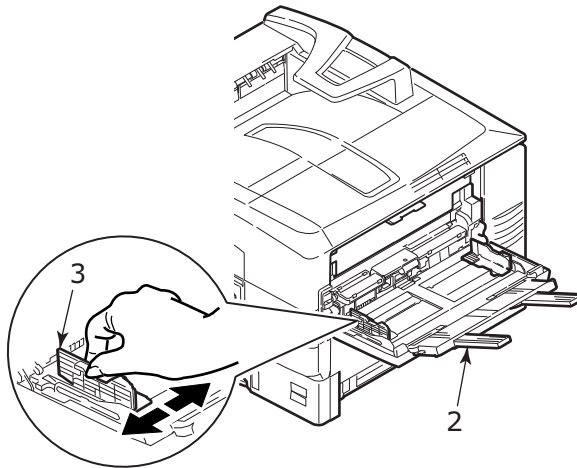


USING THE MP TRAY

1. Squeeze the handle (1) and open the multi-purpose tray.



2. Fold out the paper support section and swivel out the extension supports (2).



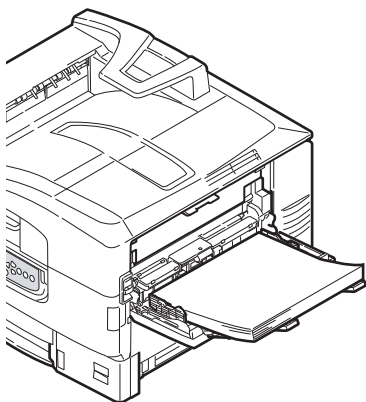
3. Adjust the paper guides (3) to the size of the paper being used.
4. Fan the paper to be loaded then tap the edges of the stack on a flat surface to make it flush.

NOTE

It is recommended to load one sheet of transparency film at a time into the multi-purpose tray, as transparency film easily can cause paper jams or faulty paper feeding.

5. Load the paper.
 - For single-sided printing on letterhead, load the paper into the multi-purpose tray with pre-printed side up and top edge into the printer.
 - Do not leave space between the paper and the guides.

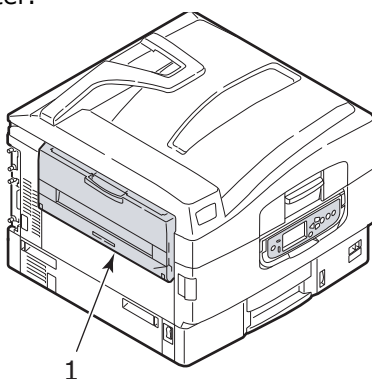
- Do not exceed the paper capacity of approximately 230 sheets or 100 transparencies. Maximum stacking depth is 1 in.



USING THE STACKERS

Face-down stacker

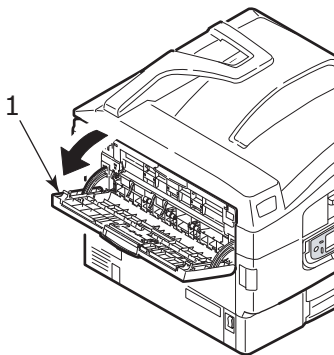
When the face-up stacker (1) on the left side of the printer is closed (its normal position), paper is ejected to the face-down stacker on the top of the printer.



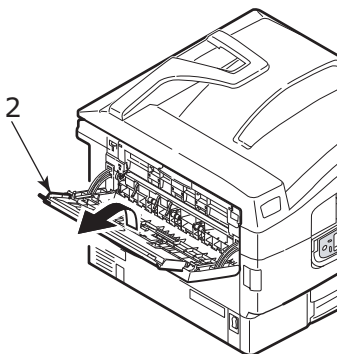
Face-up stacker

The face-up exit path is used for heavy paper (cardstock etc.), and transparencies.

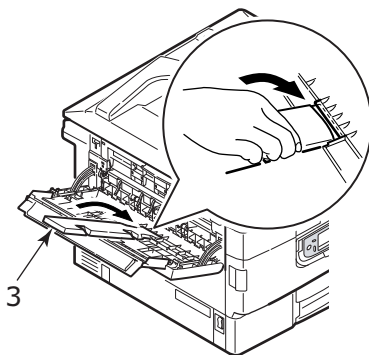
1. Open the stacker (1).



2. Flip out the paper support (2).

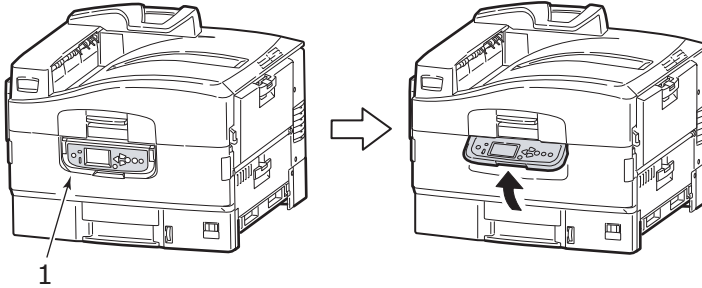


3. Swivel out the paper support extension (3).



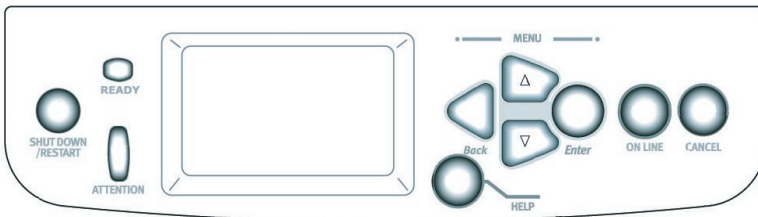
CONTROL PANEL

The control panel can be swivelled to 90° (maximum) upwards from its base position (1) as required for ease of use.



BUTTONS AND LIGHTS

The parts of the control panel are identified and briefly explained below:



1. Shutdown/Restart button

Hold down for more than 2 seconds for a soft shutdown. You can then press this button again for a restart or use the **Power** switch to turn off the printer completely.

2. Ready light

On: indicates ready to print

Flashing: indicates processing print data

Off: indicates unable to receive data (offline)

3. Attention light

Off: indicates normal operation

Flashing: indicates error(s) present but printing can continue

On: indicates error(s) present and printing cannot continue

4. Display panel

Displays status and setup information for the printer and user help information in your chosen language

5. Up-arrow button

Enters menu mode and enables upward movement through the displayed list of menu items

6. Down-arrow button

Enters menu mode and enables downward movement through the displayed list of menu items

7. Back button

Returns to the previous higher level menu item

8. Enter button

Enters menu mode and selects the menu item highlighted in the display panel

9. Online button

Switches between online (printer ready to receive data) and offline (printer not ready to receive data)

10. Cancel button

Cancels current print job

11. Help button

Provides additional textual or image data to supplement what is displayed on the display panel

DISPLAY PANEL MESSAGES

There are four types of display panel message:

- > Status information
- > Menu (functions) information
- > Configuration information
- > Help information

STATUS INFORMATION

Status information is associated with three printer states:

In the Information state, such as idling or printing, the printer is able to process print jobs.

In the Warning state, the printer has encountered some minor problem but is still able to process print jobs.

In the Error state, the printer has encountered a problem and cannot continue printing until the user has intervened and removed the cause of the trouble.

The top two lines of the display panel show the printer status. The bottom of the display panel normally shows a bar chart of the toner usage.

MENU (FUNCTIONS) INFORMATION

There are two types of menu (functions) information:

User menus: accessed by pressing the **Enter** button, **Up-arrow** or **Down-arrow** button on the control panel. These menus are available to the general user to make various settings that are used in the running of the printer.

Administrator menu: accessed by pressing the **Enter** button for more than 2 seconds while turning on the printer power supply (including Restart). Available to administrator level users. Restricts the changes that general users can make via the user menus.

CONFIGURATION INFORMATION

Configuration information displays printer configuration information such as internal firmware versions.

Menu options at each level can be scrolled through by moving the highlight with the **Up-arrow/Down-arrow** buttons and a highlighted option at that level can be selected by pressing the **Enter** button. When the lowest level menu has been selected, you can change the setting for that menu by selecting the required highlighted value from a list or by entering a numeric value. In other cases, you can display or print configuration information.

HELP MODE

When an error has occurred, press the **Help** button. Information displays that will help you correct the error.

DISPLAY PANEL MESSAGES

The display panel messages, supplemented by the Help messages where appropriate, are intended to be self-explanatory. More information on typical messages is provided in "[Appendix A – Display Panel Messages](#)" on page 150.

USING THE MENUS

NOTE

Menu details are given in "[Appendix B – Menu system](#)" on page 152 for reference.

The **Enter**, **Up-arrow**, **Down-arrow** and **Back** buttons are used to move through the printer menus. You can adjust settings (e.g. set the paper size for Tray 1) or view information (e.g. how much is left of a selected consumable).

Many of these menu settings can be, and often are, overridden by settings in the Windows printer drivers. However, several of the driver settings can be left at "Printer Setting," which will then default to the settings entered in these printer menus.

The steps involved in using the menus are typically as follows:

1. Ensure that the display panel indicates that the printer is ready to print.
2. Enter User menu mode by pressing either the **Enter** button or the **Up-arrow** or **Down-arrow** button and press the latter two repeatedly until the desired menu is highlighted in the displayed list.
3. Press the **Enter** button to select this menu.
4. Press the **Up-arrow** or **Down-arrow** buttons repeatedly until the desired Item is highlighted.
5. Press the **Enter** button to select this Item.
6. Press the **Up-arrow** or **Down-arrow** buttons repeatedly until the desired Value is highlighted.
7. Press the **Enter** button to select this Value. (If you are setting a parameter, ensure that an asterisk (*) appears beside the selected parameter Value.)
8. Press the **Online** button to exit menu mode and return to the ready to print status.

Refer to the section entitled ["Getting started" on page 43](#) and ["Appendix B – Menu system" on page 152](#) for examples of using the menus.

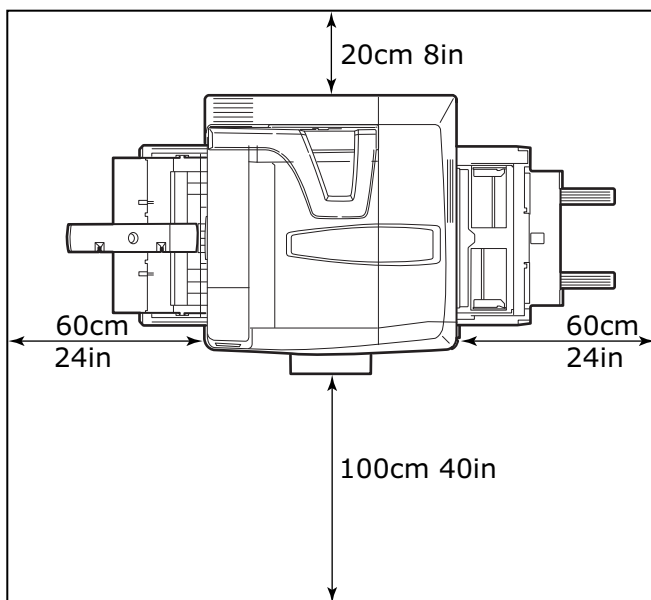
GETTING STARTED

This section provides information to help you get started with using your printer.

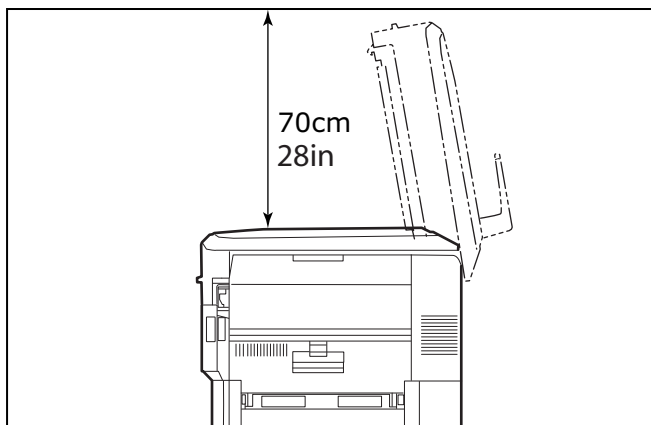
PRINTER LOCATION

Check that you have sufficient space for access:

- > around your printer:



> above your printer:

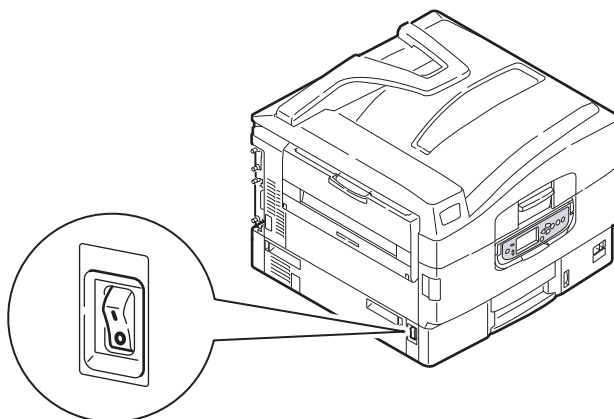


TURNING OFF/ON

TURNING OFF

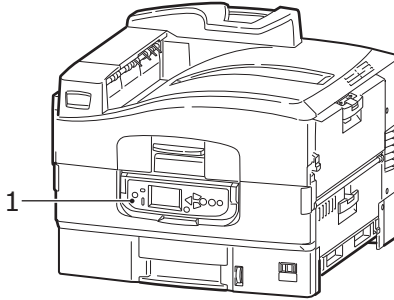
No hard disk drive installed

1. If a hard disk drive is NOT installed, use the On/Off switch.

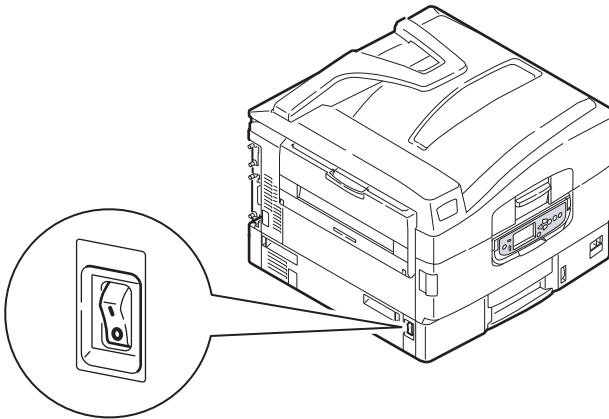


Hard disk drive installed

1. If your printer has a hard disk drive installed, hold down the **Shutdown/Restart** button (1) on the control panel for more than 2 seconds to start the shutdown process.



2. When the display panel shows that you can either turn off or restart the printer, use the On/Off switch to turn off the printer.

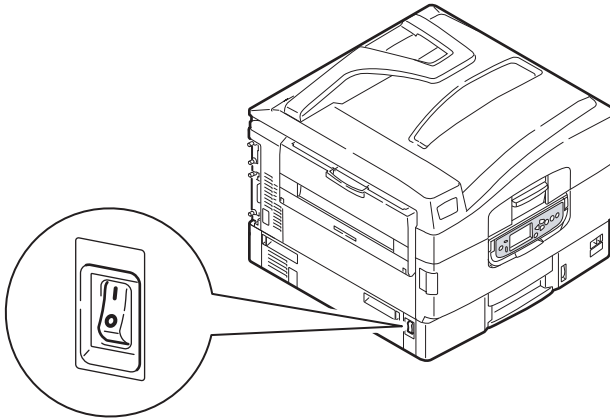


TURNING ON

NOTE

If the display panel shows that you can either turn off or restart the printer, press **Shutdown/Restart** to turn on the printer.

1. If the printer is turned off (no power), use the On/Off switch to turn on the printer.



CHANGING THE DISPLAY LANGUAGE

The default language used by your printer for display messages and for report printing is English. If required, this can be changed using the Panel Language Download Utility located on the installation CD under Optional Utilities.

CHECKING CURRENT SETTINGS

Carry out the following steps to generate a Configuration report (Menu Map) to confirm that your printer is correctly configured.

1. Ensure that there is Letter paper in Tray 1 (to be used in this operation).
2. Ensure that the display panel indicates that the printer is ready to print.
3. Press the **Up-arrow** or **Down-arrow** buttons repeatedly until Print Information is highlighted.
4. Press the **Enter** button to select Print Information.
5. Press the **Up-arrow** or **Down-arrow** buttons repeatedly until Configuration is highlighted.
6. Press the **Enter** button to select Configuration.
7. Press the **Enter** button to execute the command and a Configuration document is printed.
8. After printing the configuration document, the printer returns to the ready to print status.

You can use this document to check your printer configuration. System values and installed accessories are listed at the top of the first page while status values and settings follow.

INTERFACES AND CONNECTION

Your printer is equipped with a selection of data interfaces:

- > **Parallel** – For direct connection to a PC. This port requires a bi-directional (IEEE 1284 compliant) parallel cable.
- > **USB** – This port requires a cable conforming to USB version 2.0 or above.

The printer may not work if a USB- compatible device is connected concurrently with other USB-compatible machines.

When connecting multiple printers of the same type, they appear as ***** , ***** (2), ***** (3), etc. These numbers depend on the order of connecting or turning on each printer.

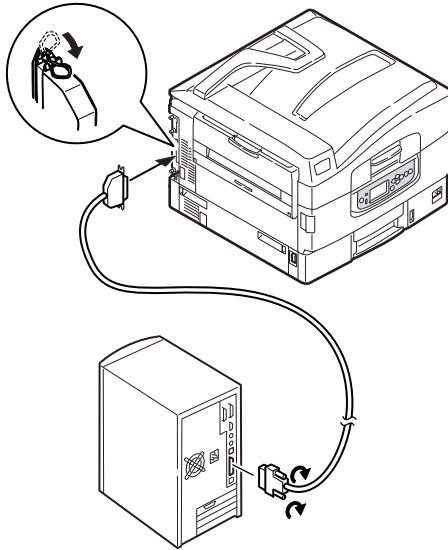
- > **Ethernet** – For network cable connection.

NOTE

Interface cables are not supplied with your printer.

CONNECTING THE PARALLEL INTERFACE

1. Turn off the printer and the computer.
2. Connect a parallel cable between the printer and computer.



3. Turn on the printer and then the computer.

CONNECTING THE USB INTERFACE

Do not connect the USB cable at this time. You will be instructed when to connect the USB cable when you run the Drivers CD.

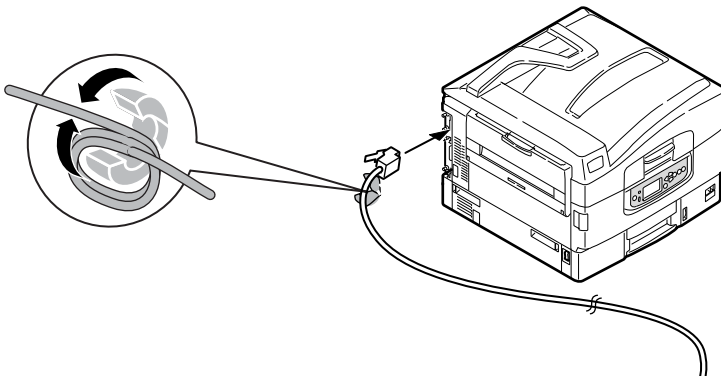
If you are connecting your printer directly to a stand alone computer proceed to the section entitled "Printer Drivers".

CONNECTING THE NETWORK INTERFACE

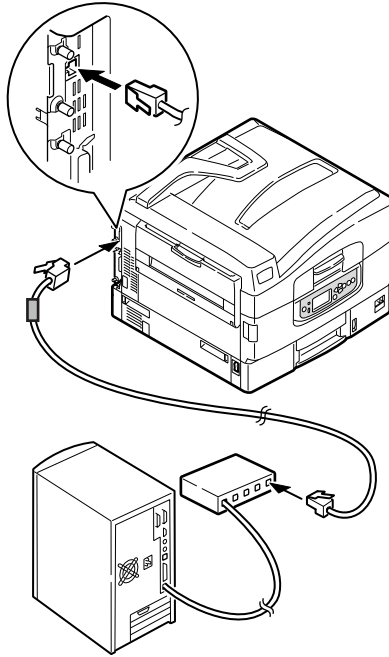
CAUTION!

Do not connect a USB cable into the network interface connector as this may lead to malfunction.

1. Turn off the printer and the computer.
2. Install the Ferrite core to the Ethernet cable as shown.



3. Connect an Ethernet cable between the printer and an Ethernet hub.



4. Turn on the printer and then the computer.

If your printer is to be installed as a network printer, please refer to the relevant section in the Software Installation Guide and Configuration Guide for further details on how to configure the network connection before installing the printer drivers.

NOTE

Administrator's authority is required when installing a network connection.

USING THE DRIVERS CD

Insert the Printer Software CD into your computer and follow the on-screen instructions. You are prompted to follow a set of basic steps to configure the display panel language, install drivers and other software and finally print a test page to check that your printer is operating correctly.

HOW TO ACCESS THE DRIVER SCREENS

Most of the features described are accessed via the printer driver screens. How you access them depends on your computer and its operating system.

The driver windows are dialogue boxes offering a wide range of choices about how you want to print your documents. Within Windows these dialog boxes are tabbed, within Mac the dialog boxes use pop-up menus.

NOTE

Example driver screenshots are used throughout this manual and as such may not represent the driver screens for your machine.

Some of the features shown on the example screenshots may not be available on your machine.

There are two ways to access the driver features from within Windows:

1. Directly from the Windows "Printers" folder ("Printers and Faxes" folder in Windows XP and Vista, "Devices and Printers" folder in Windows 7).

If you choose this method any changes you make will become the driver defaults. This means they will remain active for all your applications unless you specifically change them from within the application's Print dialogue.

2. From your application's Print dialogue.

If you choose this method any changes you make will usually only last for as long as the particular application is running, or until you change them again. In most cases, once you quit the application the driver defaults will return.

NOTE

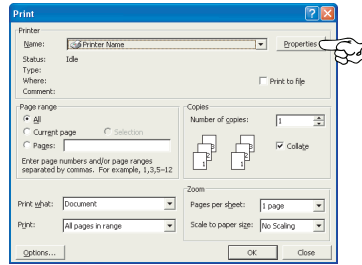
*Settings made from the printer's own control panel are the **printer defaults**. They determine how your printer will behave unless you specify otherwise from your computer.*

*The **driver defaults** override the printer defaults.*

***Application Print settings** override both the printer defaults and the driver defaults.*

PRINTING PREFERENCES IN WINDOWS APPLICATIONS

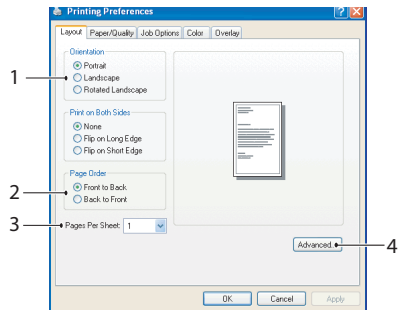
When you choose to print your document from a Windows application program a print dialogue box appears. This dialogue usually specifies the name of the printer on which you will print your document. Next to the printer name is a **Properties** button.



When you click **Properties** a new window opens which contains a short list of the printer settings available in the driver, which you can choose for this document.

POSTSCRIPT DRIVER

1. Page orientation sets portrait (tall) or landscape (wide) page orientation. The "rotated" rotates the paper through 90 degrees anticlockwise.
2. Pages can be printed in forward or reverse order. If using the face down (top) paper stacker, forward order is usually appropriate to ensure that pages are stacked in numerical order. If using the face up (rear) paper stacker, reverse order would normally stack your pages in numerical order.
3. You can specify how many pages to print on a sheet. Pages will be scaled to fit the number you choose.
4. Advanced options are also available, such as how to download TrueType fonts, and whether advanced options such as booklet printing are available.



The printer driver contains extensive on-line help for these items to help you make the most appropriate choices.

CHANGING THE DRIVER DEFAULTS

Windows XP/2000

1. Click **Start > Settings > Printers and Faxes** to open the Printers and Faxes window.
2. In the Printers and Faxes window, right-click on the appropriate printer driver icon, and choose **Printing Preferences** from the context menu.

Windows Vista

1. Click **Start > Control Panel > Printers** to open the Printers and Faxes window.
2. In the Printers and Faxes window, right-click on the appropriate printer driver icon, and choose **Printing Preferences** from the context menu.

Windows 7

1. Click **Start > Devices and Printers** to open the Devices and Printers window.
2. In the Devices and Printers window, right-click on the appropriate printer driver icon, and choose **Printing Preferences** from the context menu.

CHANGING THE APPLICATION'S DRIVER SETTINGS

Windows

1. In your application, open the file you want to print.
2. On the **File** menu, choose **Print....**
3. In the application's Print dialogue, make sure the printer shown is the appropriate one, and click **Properties**.

Mac

1. In your application, open the file you want to print.
2. On the **File** menu, choose **Print....**
3. In the application's **Print** dialogue, make sure the printer shown is the appropriate one, and click **Printer:**.

SETTING THE DRIVER DEVICE OPTIONS

This section explains how to ensure that your printer driver can utilize all of the hardware features installed in your printer.

Accessories such as hard disk, additional paper trays, etc., will only be usable if the printer driver on your computer knows they are there.

In some cases the hardware configuration of your printer is automatically detected when the driver is installed. However, it is advisable to at least check whether all of the available hardware features are listed in the driver.

This procedure is essential if you subsequently add extra hardware features to your printer after the drivers have been installed and set up.

WINDOWS

1. Access the driver's **Properties** window. (See ["Changing the driver defaults" on page 54.](#))
2. Select the **Device Options** tab.
In the Windows XP PostScript driver the tab may be called "Device Settings".
3. Set the options for any devices you have installed, including the correct number of paper trays, etc.
4. Click **OK** to close the window and save your changes.

MAC OS X

1. Open the Printer Setup Utility and ensure that your printer model is selected.
2. Choose **Printers > Show Info > Installable Options**.
3. Select all hardware options appropriate to your printer, and click **Apply Changes**.

COLOR SETTING

COLOR MODE

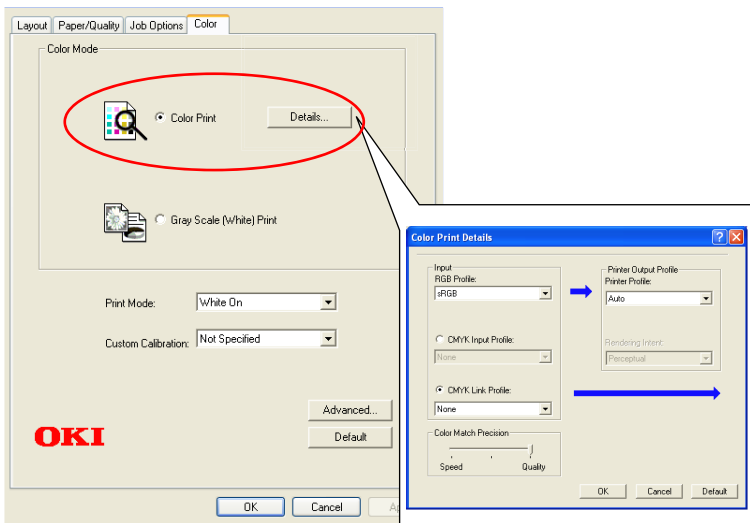
You can select **Color Print** or **Gray Scale (White) Print** for the color mode.

COLOR PRINT

Select this when printing in color.

Windows

1. On the print dialog box, click the **Color** tab.
2. Under **Color Mode**, select **Color Print**.



This screen is normally not used.

Color Print Details

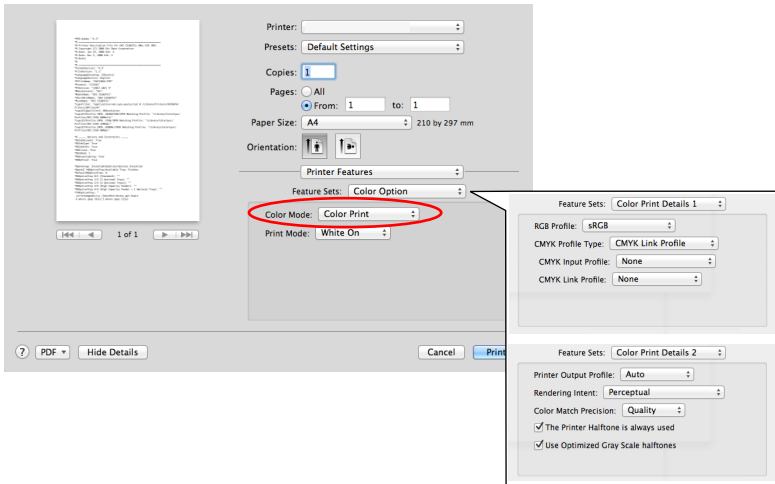
This screen is normally not used.

Your printer performs color matching by using an ICC profile. However, you cannot specify input and output profiles by downloading a specific ICC profile, as your printer uses a special link profile which considers the use of white toner.

Use the built-in color matching function of your application when you need to specify an input profile for color matching.

Mac OS X

1. On the print dialog box, select the **Printer Features** panel.
2. From the **Feature Sets** menu, select **Color Option**.
3. From **Color Mode**, select **Color Print**.



This screen is normally not used.

Color Print Details 1, 2 panel

This screen is normally not used.

Your printer performs color matching by using an ICC profile. However, you cannot specify input and output profiles by downloading a specific ICC profile, as your printer uses a special link profile which considers the use of white toner.

Use the built-in color matching function of your application when you need to specify an input profile for color matching.

GRAY SCALE (WHITE) PRINT

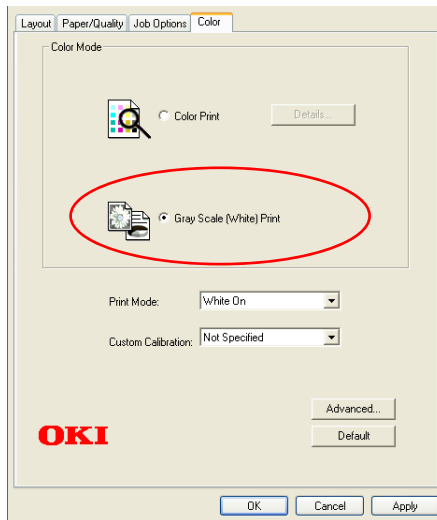
Select this when printing documents using only white toner without using CMY toner.

NOTE

To use this setting, you need to create data as gray scale data in an application. Save data with the gray scale or monochrome mode. The color data cannot be converted to Gray Scale (White) Print automatically.

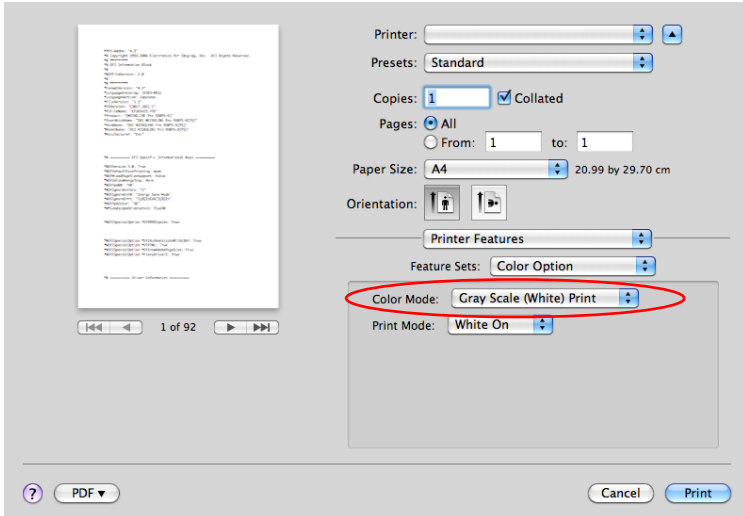
Windows

1. On the print dialog box, click the **Color** tab.
2. Under **Color Mode**, select **Gray Scale (White) Print**.



Mac OS X

1. On the print dialog box, select the **Printer Features** panel.
2. From the **Feature Sets** menu, select **Color Option**.
3. From **Color Mode**, select **Gray Scale (White) Print**.



PRINT MODE

You can specify whether to use white toner for printing when **Color Print** is selected.

WHITE ON

Selecting this prints documents using white toner. The object whose color is explicitly set to white is printed with white toner. **White On** is used when the background color of print media is not white.

WHITE OFF

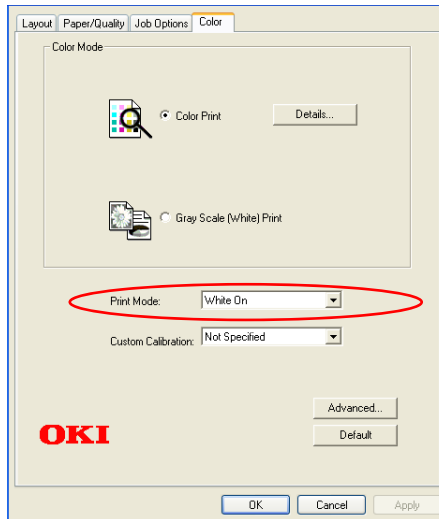
Selecting this prints documents without using white toner. The white toner is not used for the object whose color is explicitly set to white. **White Off** is used when the background color of print media is white.

NOTE

When **Gray Scale (White) Print** is selected, white toner is used regardless of the **Print Mode** setting.

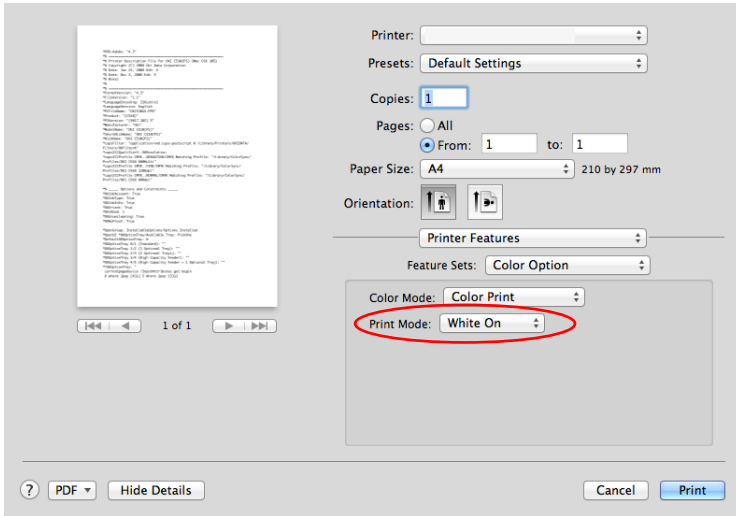
Windows

1. On the print dialog box, click the **Color** tab.
2. From **Print Mode**, select your preferred setting.



Mac OS X

1. On the print dialog box, select the **Printer Features** panel.
2. From the **Feature Sets** menu, select **Color Option**.
3. From **Print Mode**, select your preferred setting.



FINISHING OPTIONS

Your printer offers a wide selection of document finishing options that help you to control the final form of your printed document.

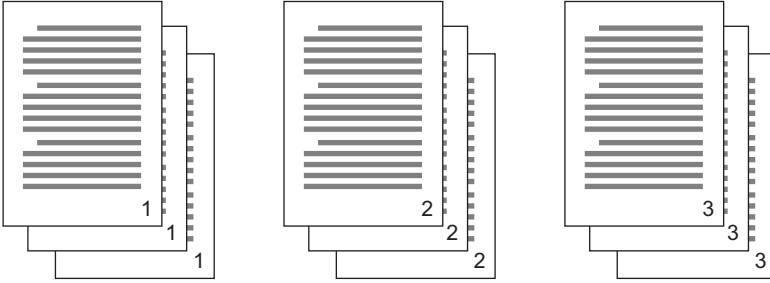
For detailed information on finishing options see:

- > ["Collating" on page 63](#)
- > ["Separating queued print jobs" on page 66](#)
- > ["Cover print" on page 68](#)
- > ["Custom page size" on page 69](#)
- > ["Printing multiple pages on one sheet \(n-up\)" on page 72](#)
- > ["Scale to page" on page 74](#)
- > ["Transfer/transparency film printing" on page 75](#)

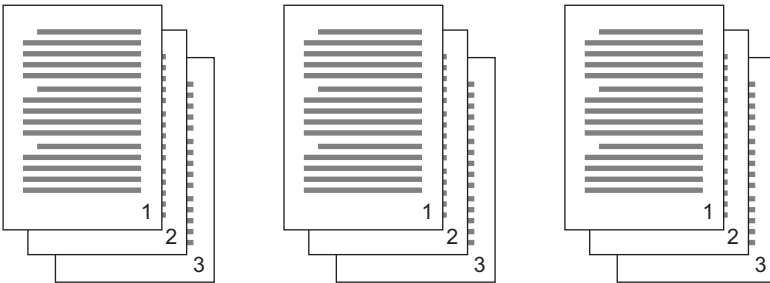
COLLATING

This feature allows multiple copies of a multipage document to be printed with the pages of each copy in sequence.

Uncollated pages print like this



Collated pages print like this



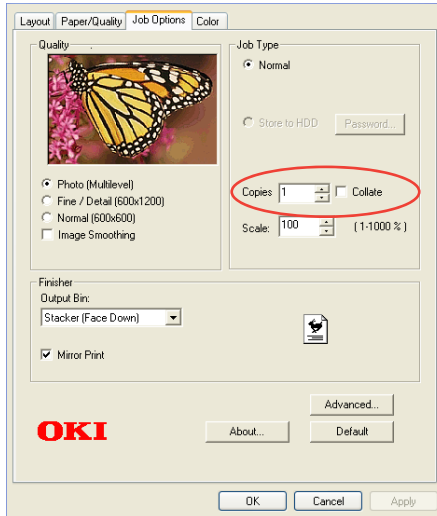
Application collate—Some application programs have a collate feature in their print options. In this case the application performs the document collation and may send the job multiple times to the printer. Generally, this method is slower but can be more reliable.

Printer collate—This section describes the collate function built into the printer driver. In this case the job is stored temporarily in printer memory or on the printer's hard disk (if installed), and the printer performs collation. This method is normally faster, but may not work from all applications.

If you experience problems using printer collate, use the collate option in your application's print options instead.

WINDOWS

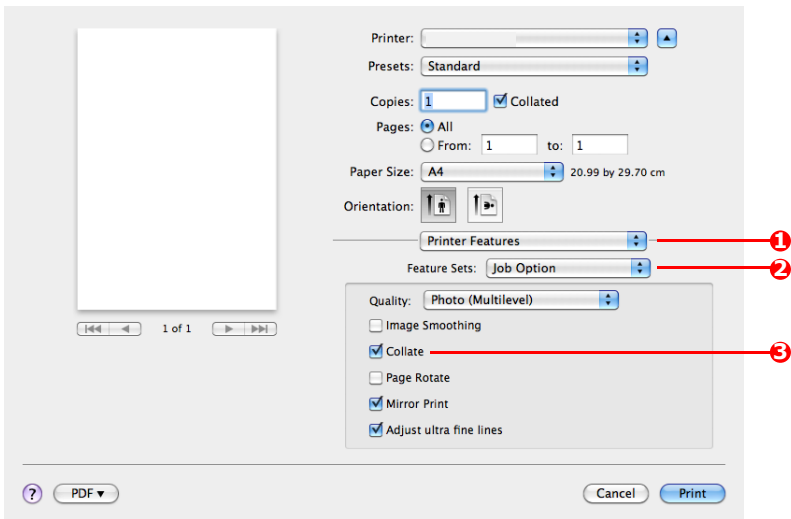
1. In the **Job Options** tab, choose how many **copies** you want to print from the scrolling list.



2. Click the **Collate** checkbox.

MAC OS X

1. Select **Printer Features** (1).



2. From the **Feature Sets** menu (2), select **Job Option**.
3. Select the **Collate** checkbox (3) to enable printer collate.

NOTE

The *Collate* option in the *Copies & Pages* dialogue is for application collate. See [page 63](#).

SEPARATING QUEUED PRINT JOBS

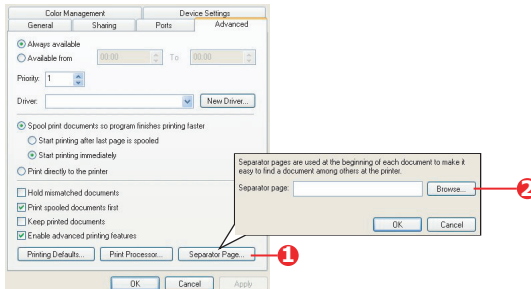
When you share a printer with other users it can be useful to print a special page between print jobs to help locate each user's job in a paper stack at the printer. In Windows this page is called a "separator page". On the Mac it is called a "cover page".

NOTE

Do not confuse Cover Page with "Cover Print". Cover Print is when the first page (cover) of a print job is fed from one paper tray, and the remaining pages of the print job are fed from a different tray. See "Cover print" on page 68.

WINDOWS SEPARATOR PAGE

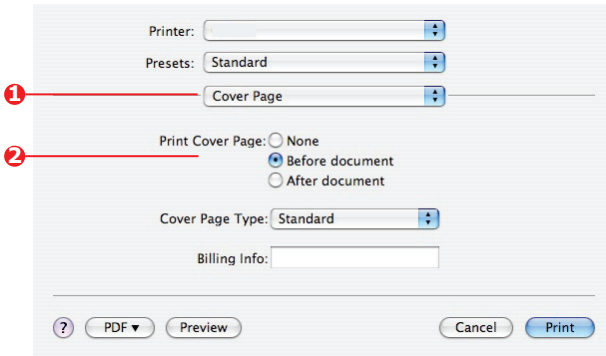
The separator page is set from the printer driver's default properties window. Access to this is directly from Windows, not from within your application program. See "Changing the driver defaults" on page 54.



1. In the driver's Advanced tab click the **Separator Page...** button (1).
2. Click **Browse** (2) and navigate to a file containing an image of the separator page you wish to use, then click **OK**.

MAC OS X COVER PAGE

The cover page is accessed from your application's print dialogue.



1. Select **Cover Page** (1).
2. Select the required options for the cover page (2).

COVER PRINT

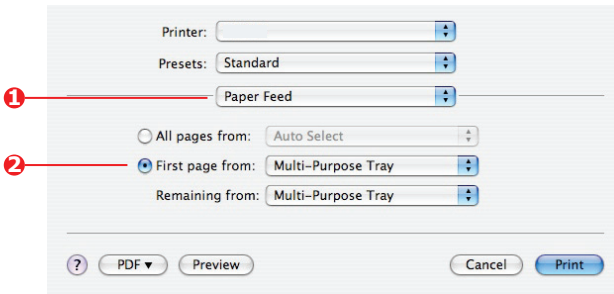
Cover print is when the first page (cover) of a print job is fed from one paper tray, and the remaining pages of the print job are fed from another paper tray.

This feature is not available in the Windows PostScript Drivers.

Do not confuse Cover Print with "Cover Page". A Cover Page is an identification sheet inserted between the print jobs of a network printer. See ["Separating queued print jobs" on page 66](#).

MAC OS X

1. Select **Paper Feed** (1).



2. Select the trays or paper types you wish to use for the first page and remaining pages (2).

CUSTOM PAGE SIZE

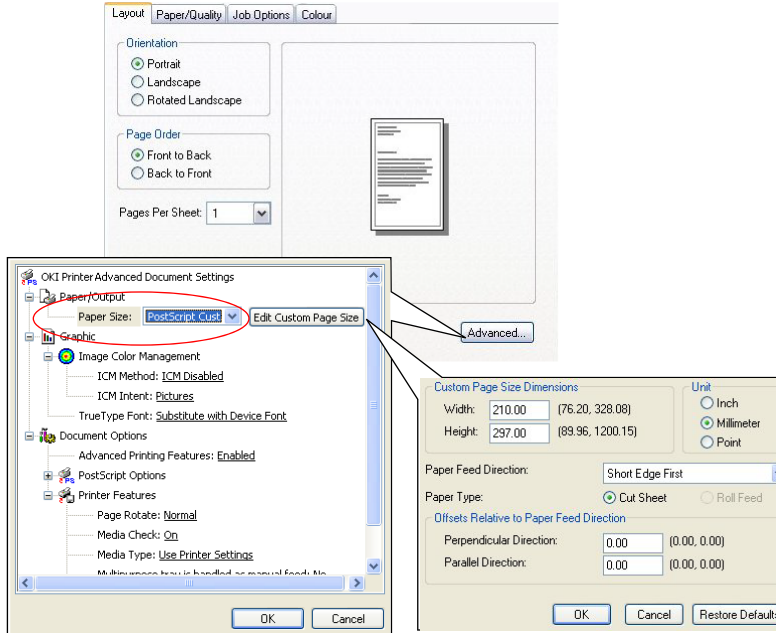
This feature enables printing on non-standard sized print media.

The multipurpose tray is used for feeding non-standard media sizes. Print media width can be from approximately 76mm to 328mm, and its length can be from 90mm to 453mm. Actual limits vary slightly depending on which printer driver you use and your computer's operating system.

Some applications software may not produce the desired results with non-standard print media sizes, and some experimentation may be required to obtain the results you want.

WINDOWS

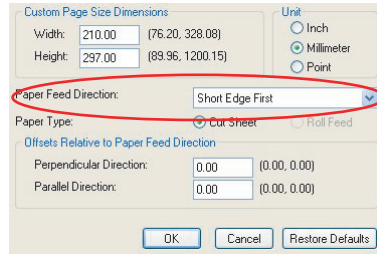
1. In the driver's **Layout** tab, click **Advanced**.



2. In the Advanced Options window, under **Paper/Output**, choose **PostScript Custom Page Size** from the **Paper Size** drop-down list.

3. In the PostScript Custom Page Size Definition window, Choose your **paper feed direction** from the drop-down list.

The available choices are:



- | | |
|---------------------------------|--|
| Short edge first | The page is portrait (tall) format and you will feed the top of the page into the printer. |
| Long edge first | The page is landscape (wide) format and you will feed the top of the page into the printer. |
| Short edge first flipped | The page is portrait (tall) format and you will feed the bottom of the page into the printer. |
| Long edge first flipped | The page is landscape (wide) format and you will feed the bottom of the page into the printer. |

Notice that the size ranges available swap places when you change the paper feed direction between a portrait and a landscape choice.

Remember that the width of the multipurpose tray is limited to the width of an A3 sheet (297mm), so if your paper is longer than this you will have to feed it short edge first.

4. You can also position the page image on the paper to avoid printing too close to the edge by choosing an **Offset**.

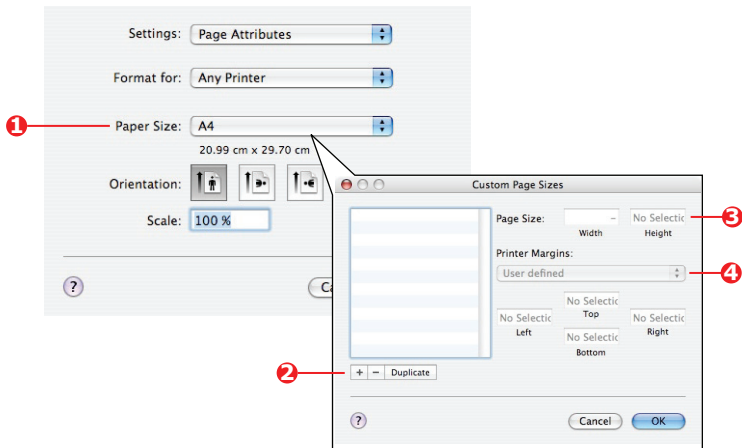
Offset relative to *perpendicular* direction adds to your left margin.

Offset relative to *parallel* direction adds to your top margin (normal feed) or bottom margin (flipped feed).

5. Click **OK** to close the **PostScript Custom Page Size Definition** window.
6. Click **OK** to close the **Advanced Options** window.
7. In the driver's window, choose the **Multipurpose Tray** as the **Paper Source**.

MAC OS X

1. In your application program, choose **File > Page Setup**.

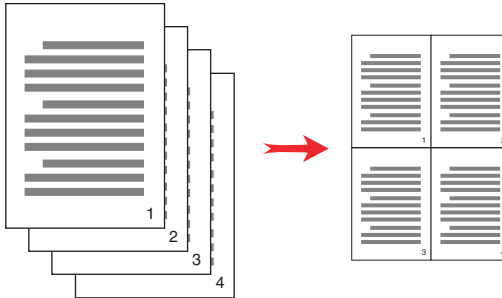


2. Select **Manage Custom Sizes** (1).
3. Click the **+** button (2) to define a new paper size and enter a **name** for the paper size.
4. Enter the **Width** and **Height** (3) of your paper.
5. Specify paper **margins** (4) as required.
6. Click **OK** to save the new paper size.

PRINTING MULTIPLE PAGES ON ONE SHEET (N-UP)

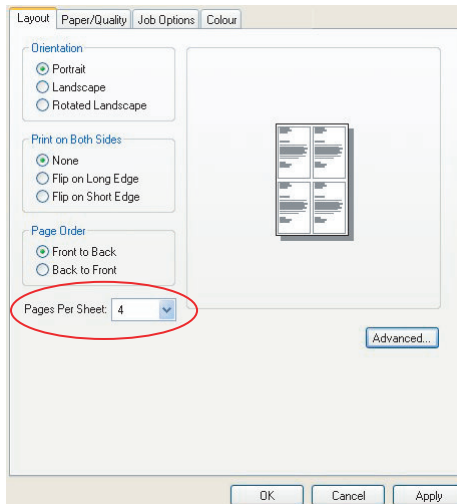
This feature scales the page size of your document for printing and reproduces several pages per sheet.

This is useful when you simply want to proof your page layout, or distribute your document in a more compact format. It saves paper, bulk, weight and cost.



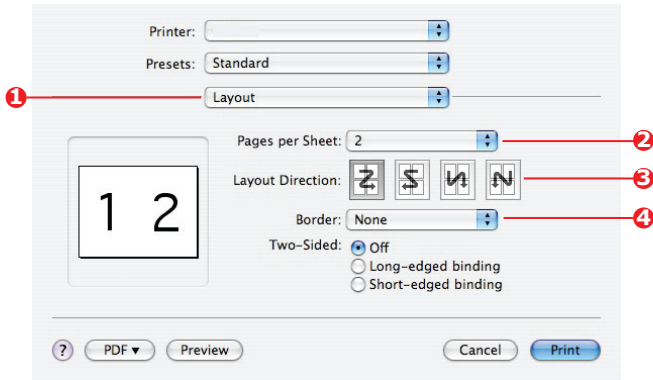
WINDOWS

In the driver's **Layout** tab, choose the number of pages (N-up) you want to print on each sheet. 1-up is normal, 16-up is maximum.



MAC OS X

1. Select **Layout** (1).



2. From the **Pages per Sheet** menu (2), select the number of pages you want to fit onto a single sheet of paper.
3. If required, change the direction (3) the document pages are laid out on each sheet of paper.
4. If required, you can surround each page with a border (4).

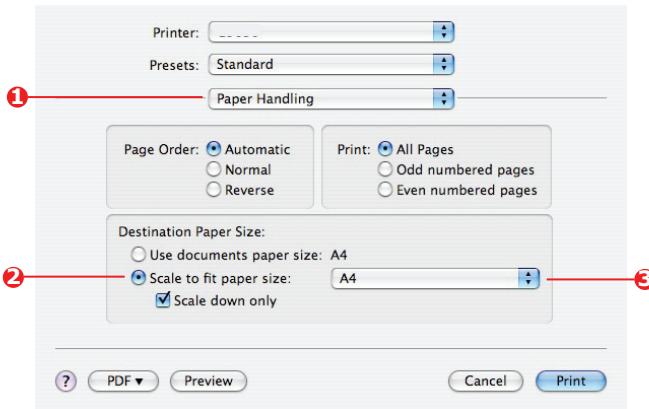
SCALE TO PAGE

Scale to Page allows you to print data formatted for one size page onto a different size page, without modifying the print data.

This feature is not available with the Windows PS driver.

MAC OS X

1. Select **Paper Handling** (1).



2. Check the **Scale to fit paper size** checkbox (2).
3. Choose the paper size you need from the drop-down list (3).

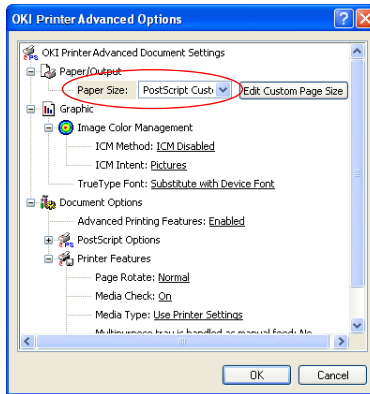
TRANSFER/TRANSPARENCY FILM PRINTING

This feature enables printing on transfer or transparency film.

The multipurpose tray is used for feeding film media.

WINDOWS

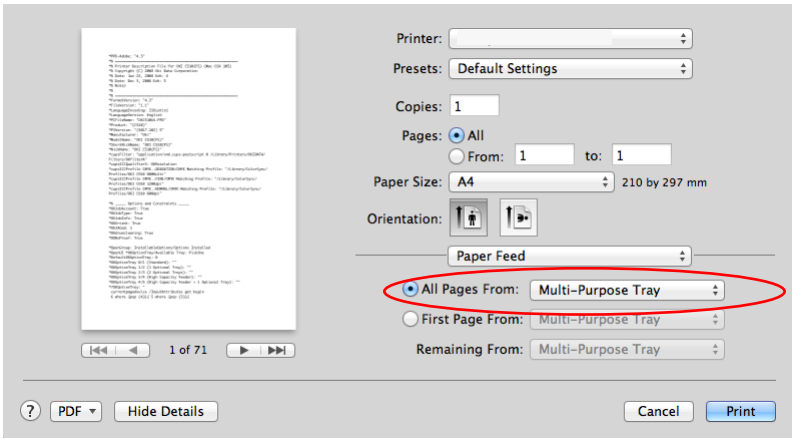
1. In the driver's **Paper/Quality** tab, click **Advanced**, and select the required film size from the **Paper Size** drop-down list.



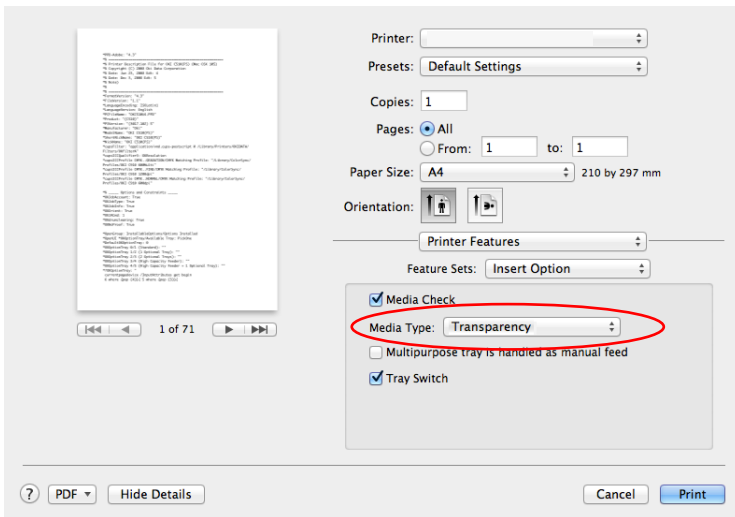
2. In the same window, select the **Transparency** from the **Printer Features - Media Type** drop-down list.
3. Click **OK** to close the **Advanced Options** window.
4. From the **Source** drop-down list select **Multipurpose tray**.
5. In the driver's **Job options** tab, select the **Stacker(Face Up)** from the **Output Bin** drop-down list.

MAC OS X

1. In the driver's window, select the **Multi-Purpose Tray** from the **All Pages From** drop-down list.



2. Move to the **Printer Features** window, select the **Transparency** from the **Media Type** drop-down list in the **Feature Sets: Insert Option**.



3. In the driver's **Eject options** window, select the **Stacker(Face Up)** from the **Output Bin** drop-down list.

HOW TO PRINT WITH APPLICATION SETTING

To print image data without the white background, you need to configure the application setting. If printing image data without configuring the application setting, white is printed on the whole background of the image.

The following pages explain how to configure the setting in the Adobe applications.

ADOBE PHOTOSHOP

This section describes how to print the image data without white background by Adobe Photoshop CS.

1. Load the image data.
2. Click the all of background to make a selection area for background by using Magic wand function.
3. Perform the **Inverse** menu to make a selection area for print after selection area for background was made.
4. Click the arrow of **Paths** and perform the **Make Work Path** menu.
5. Input the value of **Tolerance**.

NOTE

If you want to select only printable image, you should use small value, like 0.5. If you want to select printable image together with the white edge, 2.0 is maybe good value.

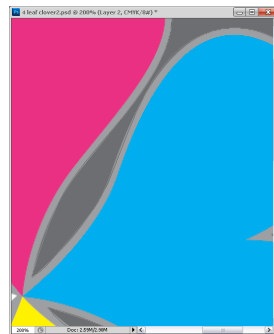
Example:

Tolerance is 0.5.



It is minimum edge but not smooth.

Tolerance is 2.0.



It is smooth but you can see white on the edge.

6. Click the arrow of **Paths** and perform the **Save Path** menu. Click **OK** to save **Working Path** as **Path 1**.
7. Click the arrow of **Paths** and perform the **Clipping Path** menu. Click **OK** to select **Path 1** as **Clipping Path**.
8. Save the image data by Photoshop format (PSD).
9. Select the **Print with Preview** menu.
10. Select the **No Color Management** in **Color Handling** options then click **Print** to print the image data.

ADOBE ILLUSTRATOR

This section describes how to print the image data without white background by Adobe Illustrator CS.

1. Load the image data.
2. Create a path around the area of the placed picture image that you want to mask.
3. Select the created path and the picture image, and create a clipping mask.
4. Save the image data.

NOTE

Do not apply overprint settings for the object's fill and stroke. Otherwise they may be printed in unexpected color. Be sure to clear the overprint check boxes in the attributes panel.

CONSUMABLES AND MAINTENANCE

This section explains how to replace consumable and maintenance items when due.

CHECKING CONSUMABLE/MAINTENANCE ITEM USAGE

At any time, you can check how much of each consumable/maintenance item is left by using the appropriate menus. For example, enter the menu system and follow the path:

Configuration > Supplies Life > Cyan Toner

The percentage of Cyan Toner remaining is displayed on the LCD panel and the printer then returns to the ready to print status.

REPLACEMENT INDICATIONS

The LCD panel provides messages to the effect that consumables/maintenance items are running low or nearing end of life followed some time later by a message that replacement is required. You should replace the item as soon as possible after this message is displayed to avoid the possibility of print quality being compromised.

The paper feed rollers and the multi-purpose (MP) tray feed rollers do not have any replacement warning messages. Recommended replacement: after approximately 120,000 A4 sheets.

REPLACING CONSUMABLES/MAINTENANCE ITEMS

Each consumable or maintenance item comes complete with its own installation details which give full instructions on replacement. You are advised to follow these instructions carefully.

CAUTION!

Only use genuine Oki Original consumables to ensure the best quality and performance from your hardware. Non-Oki Original products may damage your printer's performance and invalidate your warranty. Specifications subject to change without notice. All trademarks acknowledged.

TONER CARTRIDGE REPLACEMENT

The toner used in this printer is a very fine dry powder. It is contained in four cartridges: one each for cyan, magenta, yellow and white.

Have a sheet of paper handy so that you have somewhere to place the used cartridge while you install the new one.

Put the removed toner cartridge into a bag and seal it to prevent the toner from scattering, and dispose of it responsibly. Follow any regulations, recommendations, etc., which may be in force concerning waste recycling.

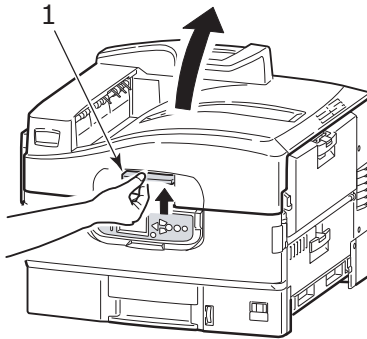
If you do spill any toner powder, lightly brush it off. If this is not enough, use a cool, damp cloth to remove any residue.

Do not use hot water, and never use solvents of any kind. They will make stains permanent.

WARNING!

If you inhale any toner or get it in your eyes, drink a little water or bathe your eyes liberally in cold water. Seek medical attention immediately.

1. Squeeze the top cover handle (1) and open the top cover.



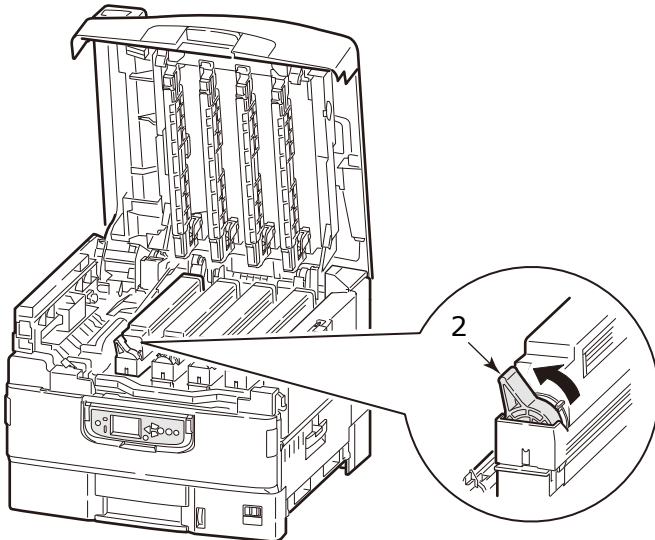
WARNING!

If the printer has been powered on, the fuser may be hot. This area is clearly labelled. Do not touch.

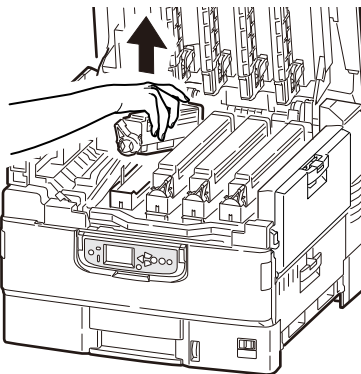
NOTE

Open the top cover fully while replacement. Otherwise the printer may be damaged.

2. Check the color of the toner cartridge to be replaced, and turn the blue lock lever (2) in the direction of the arrow until it stops.



3. Lift the toner cartridge carefully and remove it from the printer.



WARNING!

Do not throw toner cartridges into a fire as you may receive burns from a dust explosion.

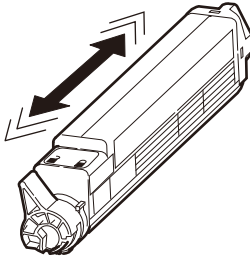
Put the removed toner cartridge into a bag and seal it to prevent the toner from scattering.

4. Check the color of the new toner cartridge, and take out it from the package.

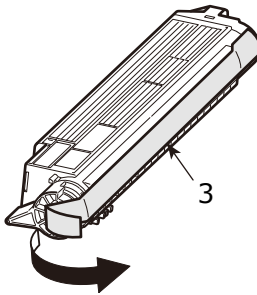
NOTE

Do not turn the blue lever as the toner may spill out.

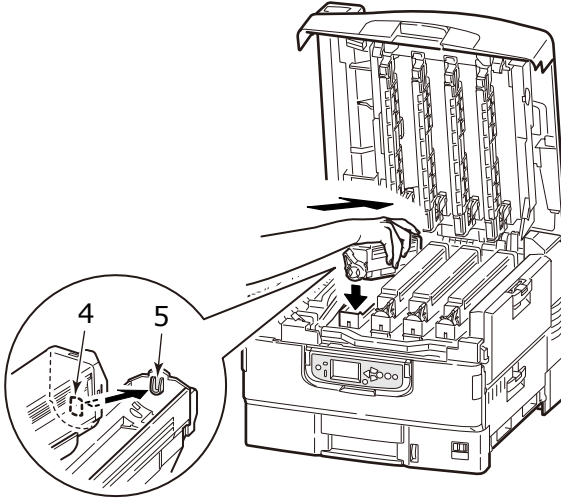
5. Gently shake the new toner cartridge from end to end several times to loosen and distribute the toner evenly inside the cartridge.



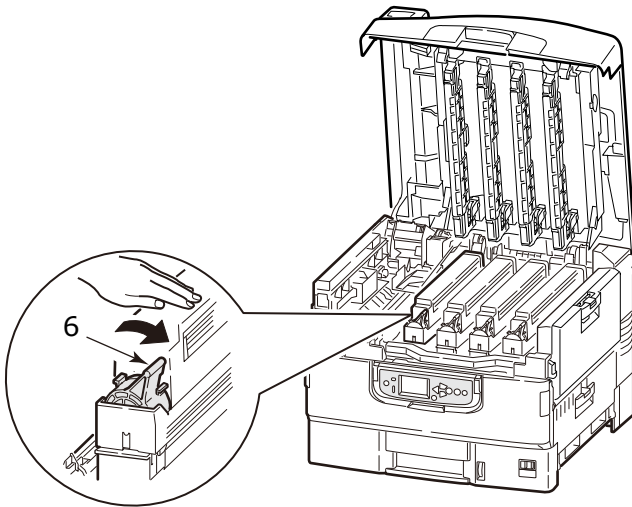
6. Place the toner cartridge on a flat surface, and peel off the adhesive tape (3).



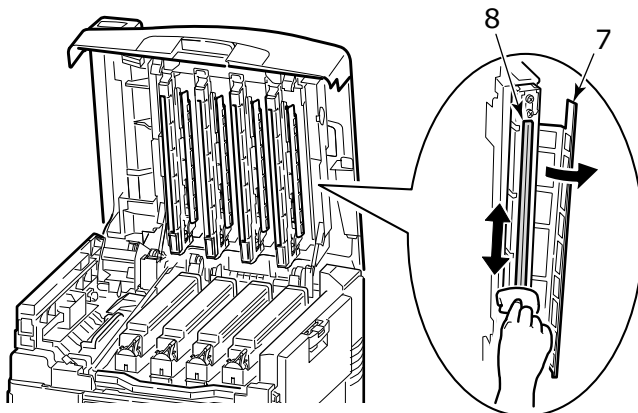
- 7.** Holding the toner cartridge with the tape face down, match the hole (4) of the toner cartridge on the protrusion (5) of the image drum and carefully lower it on the image drum.



- 8.** Pressing gently down on the toner cartridge to ensure that it is firmly seated, lock it by turning the blue lock lever (6) to the direction of the arrow until it stops.



- 9.** Open the LED head guards (7) and gently wipe each of the four heads (8) with an LED lens cleaner or soft cloth. Move the cleaner as shown, using a clean section of the cleaner with each pass. Be careful not to damage the guards.



- 10.** Close the top cover.

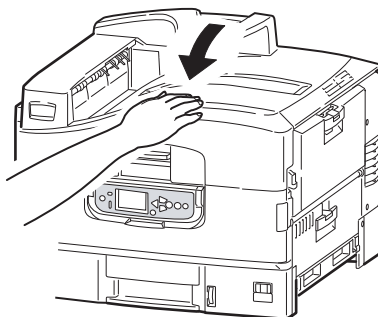


IMAGE DRUM REPLACEMENT

CAUTION!

Static sensitive devices, handle with care.

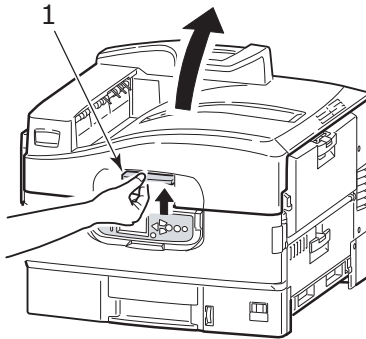
The printer contains four image drums: cyan, magenta, yellow and white.

Replace the image drum when a message that replacement is required is displayed. Replace both the image drum and toner cartridge when a replacement message for the toner cartridge of same color is displayed at the same time.

When the replacement message for the toner cartridge of same color is not displayed, you can set the toner cartridge in use on the new image drum.

WHEN REPLACING THE IMAGE DRUM CARTRIDGE AND TONER CARTRIDGE AT THE SAME TIME

1. Squeeze the top cover handle (1) and open the top cover.



WARNING!

If the printer has been powered on, the fuser may be hot. This area is clearly labelled. Do not touch.

NOTE

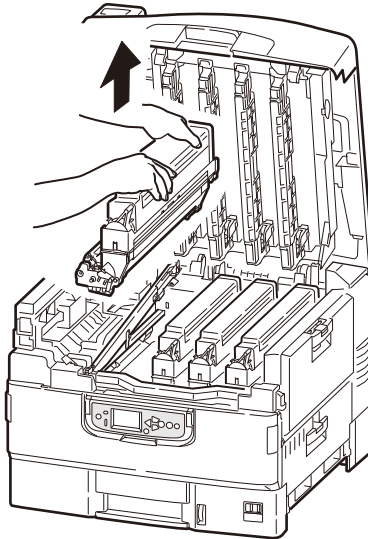
Open the top cover fully while replacement. Otherwise the printer may be damaged.

2. Check the color of the image drum cartridge to be replaced, and lift it, complete with its toner cartridge, up and out of the printer.

NOTE

- Avoid the cartridge bumping to the LED head.

- Do not turn the blue lock lever of the toner cartridge when removing the image drum cartridge.

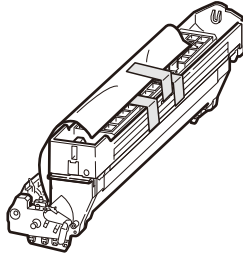


WARNING!

Do not throw toner cartridges or image drum cartridges into a fire as you may receive burns from a dust explosion.

Put the removed image drum cartridge and toner cartridge into a bag and seal it to prevent the toner from scattering.

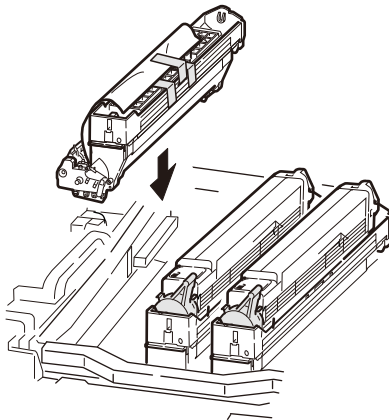
3. Take out the new image drum cartridge from the package.



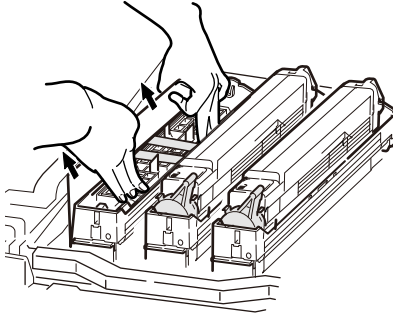
CAUTION!

The green image drum surface at the base of the cartridge is very delicate and light sensitive. Do not touch it and do not expose it to normal room light for more than 5 minutes. If the drum unit needs to be out of the printer for longer than this, please wrap the cartridge inside a black plastic bag to keep it away from light. Never expose the drum to direct sunlight or very bright room lighting.

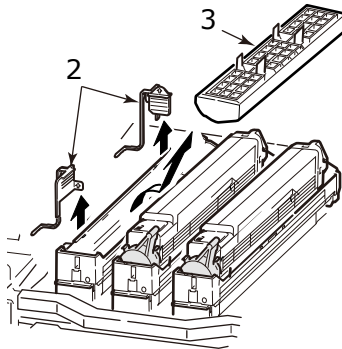
4. Set the image drum cartridge into the printer.



5. Pinch the both ends of the protective sheet with the thumb and index finger while holding down the image drum cartridge with other fingers, and pull out the protective sheet to the direction of the arrow.



6. Remove the stoppers (2) (orange, eight pieces), toner cover (3) (orange), and silica gel.

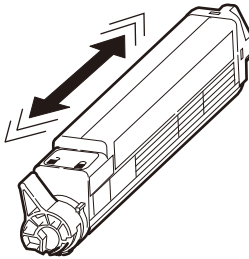


7. Check the color of the new toner cartridge, and remove it from the package.

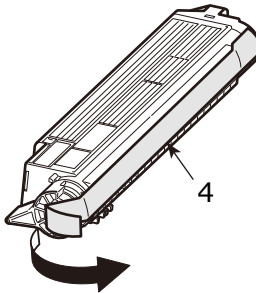
NOTE

Do not turn the blue lock lever as the toner may spill out.

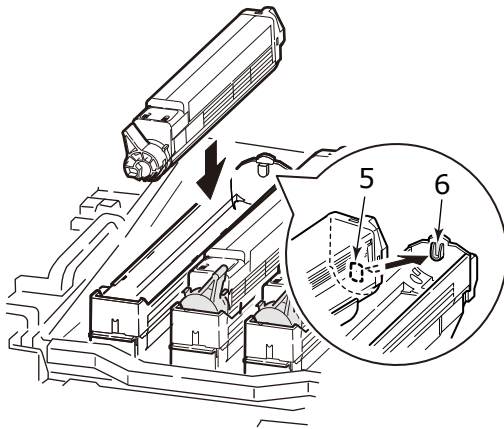
- 8.** Gently shake the new toner cartridge from end to end several times to loosen and distribute the toner evenly inside the cartridge.



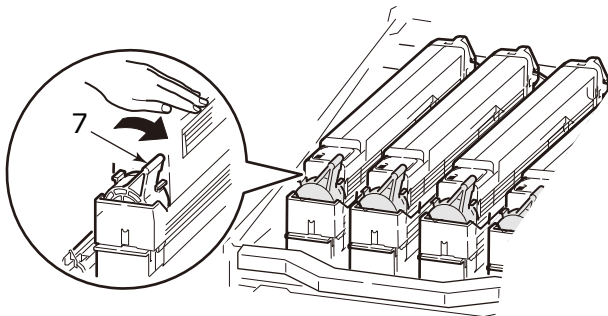
- 9.** Place the toner cartridge on a flat surface, and peel off the adhesive tape (4).



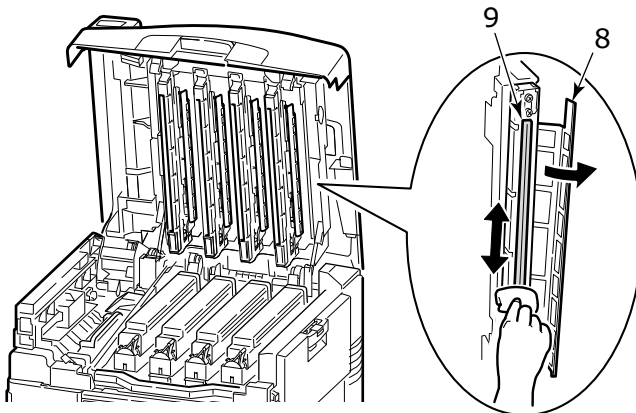
- 10.** Holding the toner cartridge with the tape face down, match the hole (5) of the toner cartridge on the protrusion (6) of the image drum and carefully lower it on the image drum.



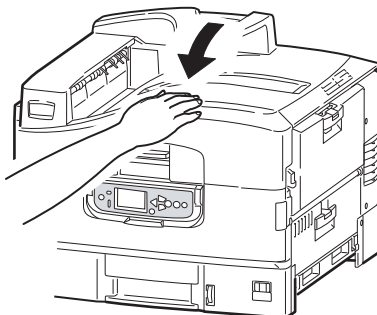
- 11.** Pressing gently down the toner cartridge to ensure that it is firmly seated, lock it by turning the blue lock lever (7) to the direction of the arrow until it stops.



- 12.** Open the LED head guards (8) and gently wipe each of the four heads (9) with an LED lens cleaner or soft cloth. Move the cleaner as shown, using a clean section of the cleaner with each pass. Be careful not to damage the guards.



- 13.** Close the top cover.

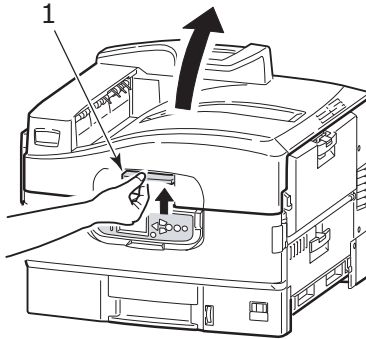


WHEN REPLACING THE IMAGE DRUM CARTRIDGE ONLY

NOTE

The new image drum cartridge is not filled with toner, and it gets filled with toner from the set toner cartridge. If the set toner cartridge is near end of its life, the message indicating the toner is getting low may be displayed soon after replacement.

1. Squeeze the top cover handle (1) and open the top cover.



WARNING!

If the printer has been powered on, the fuser may be hot. This area is clearly labelled. Do not touch.

NOTE

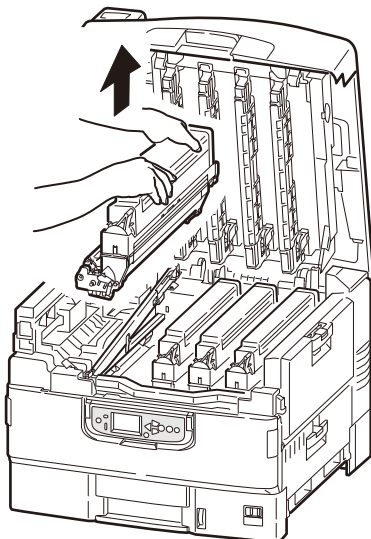
Open the top cover fully while replacement. Otherwise the printer may be damaged.

2. Check the color of the image drum cartridge to be replaced, and lift it, complete with its toner cartridge, up and out of the printer.

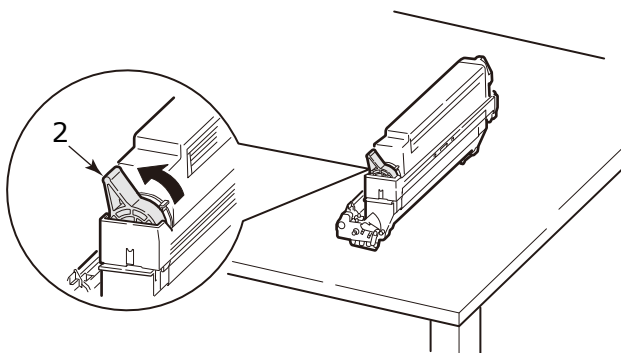
NOTE

- Avoid the cartridge bumping to the LED head.

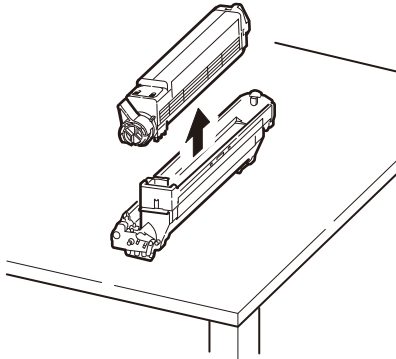
- Do not turn the blue lock lever of the toner cartridge when removing the image drum cartridge.



3. Turn the blue lock lever (2) of the toner cartridge to the direction of the arrow until it stops to release the lock.



4. Lift up the toner cartridge carefully, and place it on the flat surface.

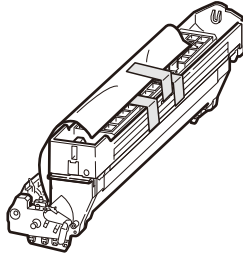


WARNING!

Do not throw image drum cartridges into a fire as you may receive burns from a dust explosion.

Put the removed image drum cartridge into a bag and seal it to prevent the toner from scattering.

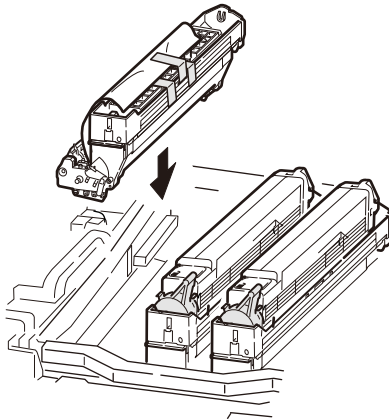
5. Take out the new image drum cartridge from the package.



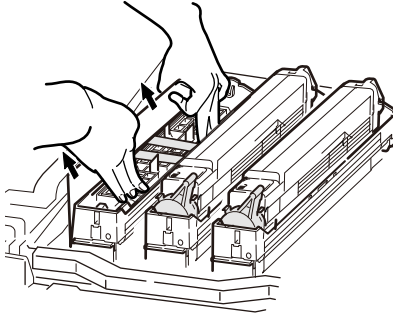
CAUTION!

The green image drum surface at the base of the cartridge is very delicate and light sensitive. Do not touch it and do not expose it to normal room light for more than 5 minutes. If the drum unit needs to be out of the printer for longer than this, please wrap the cartridge inside a black plastic bag to keep it away from light. Never expose the drum to direct sunlight or very bright room lighting.

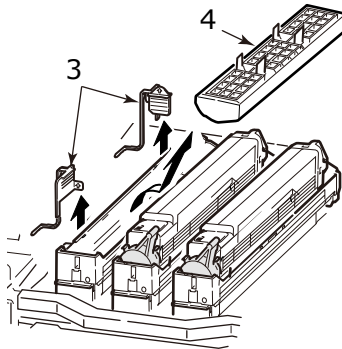
6. Set the image drum cartridge into the printer.



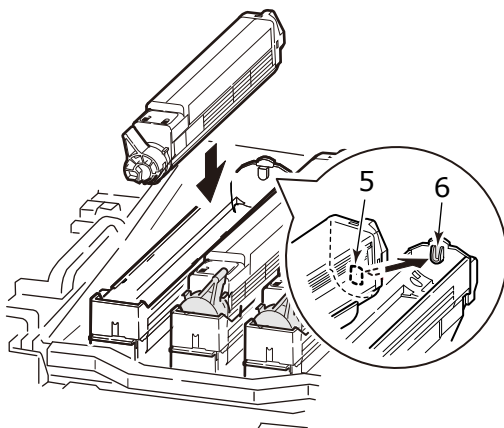
- 7.** Pinch the both ends of the protective sheet with the thumb and index finger while holding down the image drum cartridge with other fingers, and pull out the protective sheet to the direction of the arrow.



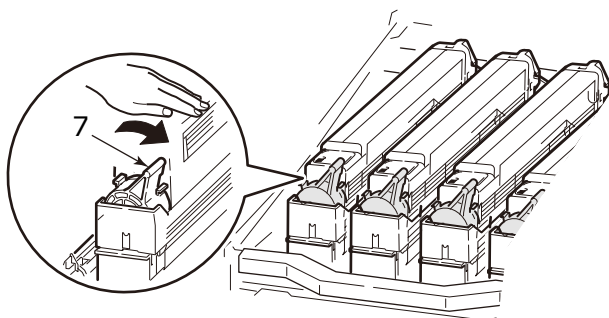
- 8.** Remove the stoppers (3) (orange, eight pieces), toner cover (4) (orange), and silica gel.



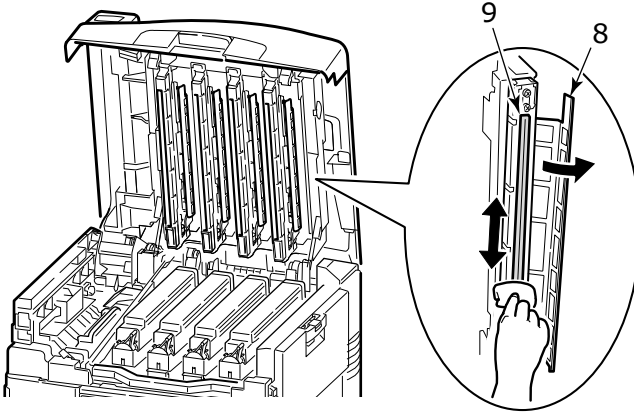
- 9.** Match the hole (5) of the toner cartridge removed in step 4 on the protrusion (6) of the image drum and carefully lower it on the image drum.



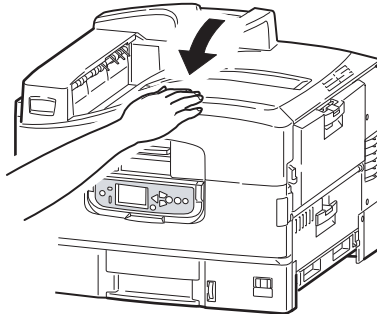
- 10.** Pressing gently down the toner cartridge to ensure that it is firmly seated, lock it by turning the blue lock lever (7) to the direction of the arrow until it stops.



- 11.** Open the LED head guards (8) and gently wipe each of the four heads (9) with an LED lens cleaner or soft cloth. Move the cleaner as shown, using a clean section of the cleaner with each pass. Be careful not to damage the guards.



- 12.** Close the top cover.

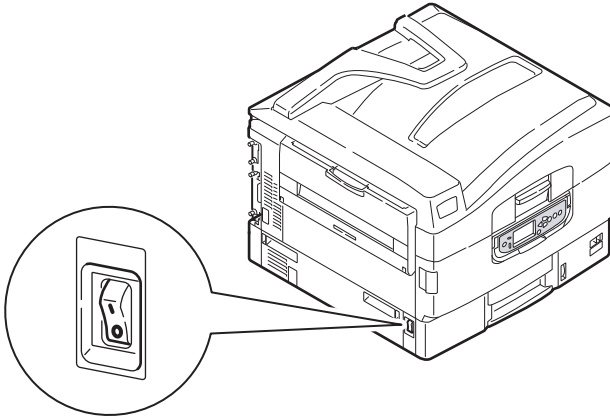


TRANSFER BELT REPLACEMENT

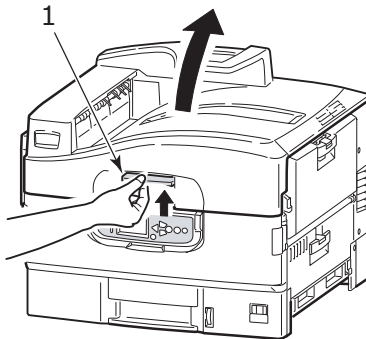
The belt unit is located under the four image drums. This unit requires replacement approximately every 50,000 pages.

1. Switch off the printer.

Allow the fuser to cool for about 10 minutes before opening the cover.



2. Squeeze the top cover handle (1) and open the top cover.



WARNING!

If the printer has been powered on, the fuser may be hot. This area is clearly labelled. Do not touch.

NOTE

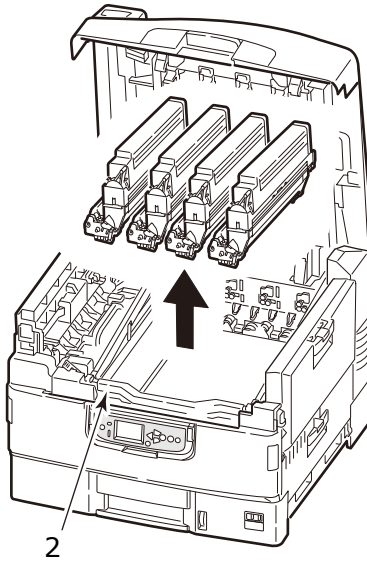
Open the top cover fully while replacement. Otherwise the printer may be damaged.

3. Take out four image drums, and put them on a flat surface.

NOTE

- Do not lift the drum basket (2).

- Do not pull the blue lock lever of the toner cartridge when removing the image drum cartridge.



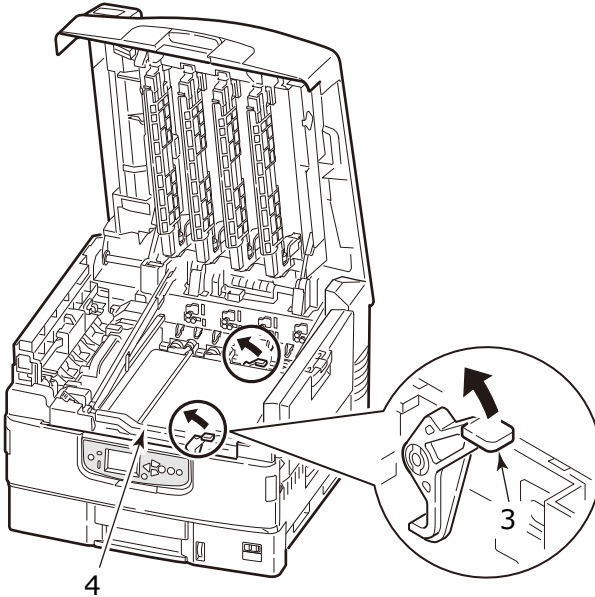
CAUTION!

The green image drum surface at the base of each cartridge is very delicate and light sensitive. Do not touch it and do not expose it to normal room light for more than 5 minutes. If the drum unit needs to be out of the printer for longer than this, please wrap the cartridge inside a black plastic bag to keep it away from light. Never expose the drum to direct sunlight or very bright room lighting.

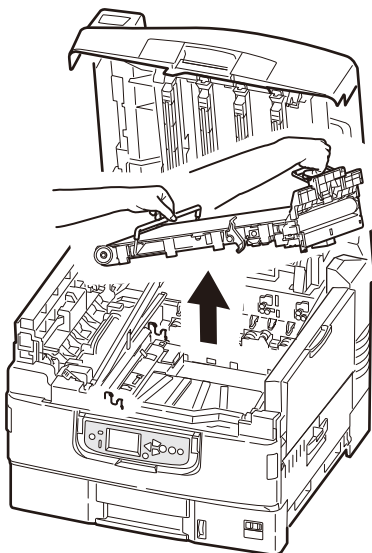
4. Pull the blue lock lever (3) (two sites) of the belt unit to the direction of the arrow.

NOTE

Do not lift the drum basket (4).



5. Lift up the handle of the belt unit on the right, and then, hold the other handle on the left to take it out slowly with both hands.



NOTE

Avoid the belt unit bumping to the LED head.

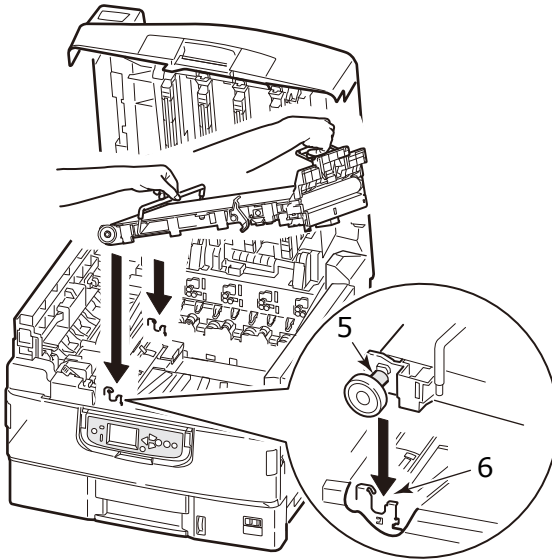
Put the removed belt unit into a bag and seal it.

6. Take out the new belt unit from the package.

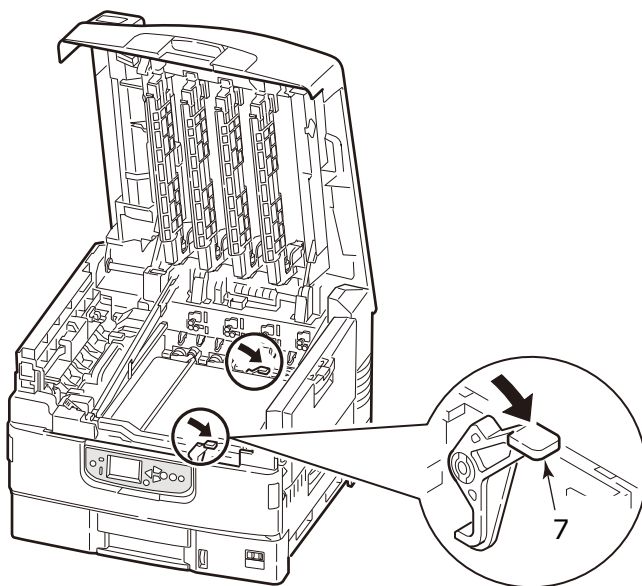
NOTE

Do not touch the shiny black surface of the belt unit.

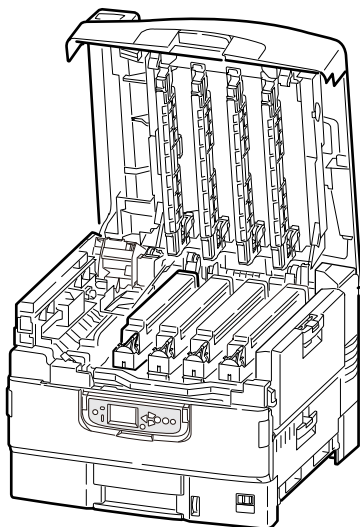
- 7.** Hold the handle of the belt unit (blue) with both hands. Slowly put the unit into the printer's body, adjust the spindle (5) of the unit to the guide (6) of the printer's body (the front and the back).



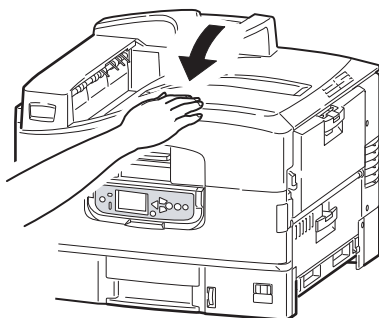
- 8.** Push down the lock lever (7) (two sites) to the direction of the arrow, and fix the belt.



- 9.** Put back the four image drums to the original position.



- 10.** Close the top cover.



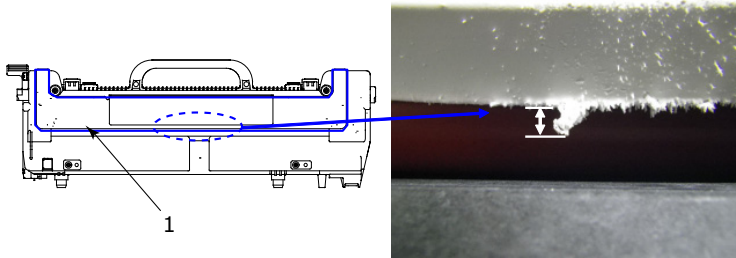
FUSER COVER SHEET REPLACEMENT

WARNING!

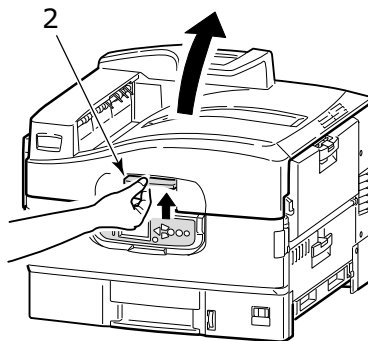
Be careful not to touch the fuser unit which may be hot after printing. If the fuser unit is hot, wait until it cools before attempting to remove and replace a fuser cover sheet.

The printed image may be stained when the toner sticks to the fuser unit and forms an icicle-like shape.

Replace the fuser cover sheet (1) before the length of the stuck toner becomes more than 4 mm.



1. Squeeze the top cover handle (2) and open the top cover.

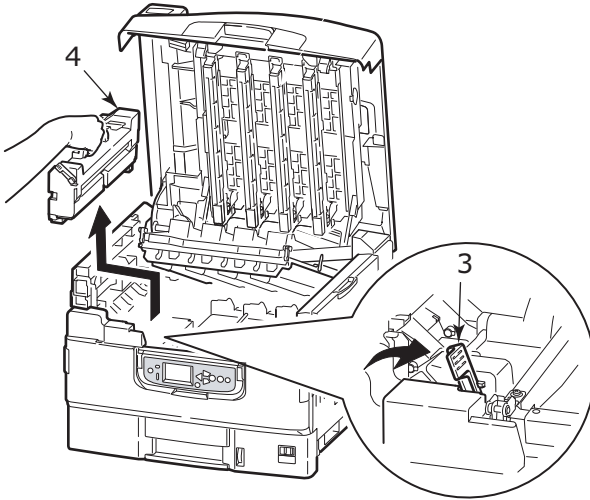


NOTE

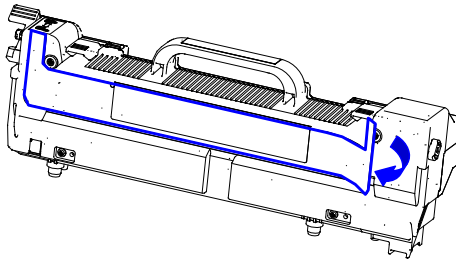
Open the top cover fully while replacement. Otherwise the printer may be damaged.

2. Pull the lock lever (3) in the direction of the arrow to release the fuser unit.

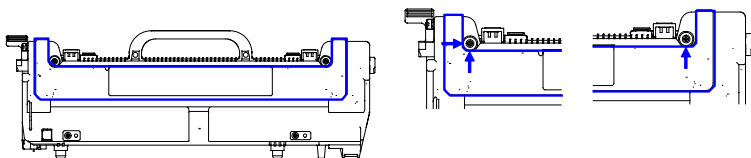
Holding the fuser unit (4) by the handle, lift it out of the printer and place it on a flat surface.



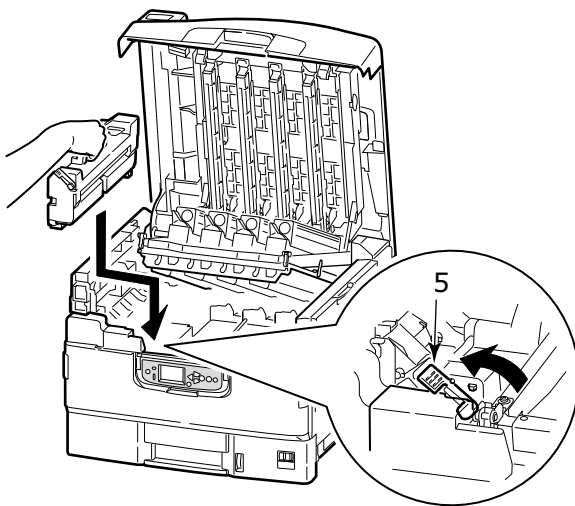
3. Remove the fuser cover sheet to which toner sticks from the fuser unit.



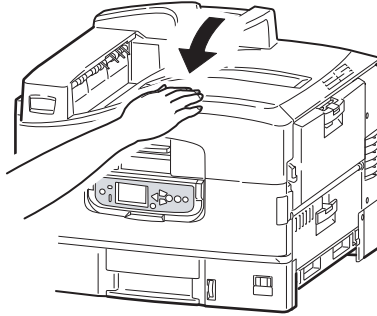
4. Remove the liner of the double-sided tape on the new fuser cover sheet, and attach the sheet to the fuser unit firmly.



5. Carefully replace the fuser unit into the printer and turn the lock lever (5) in the direction of the arrow to lock the fuser unit.



6. Close the top cover.



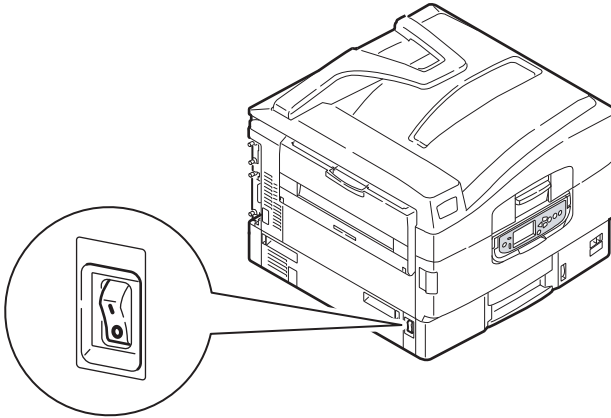
FUSER REPLACEMENT

The fuser is located inside the printer just behind the four image drums. This unit requires replacement approximately every 50,000 pages.

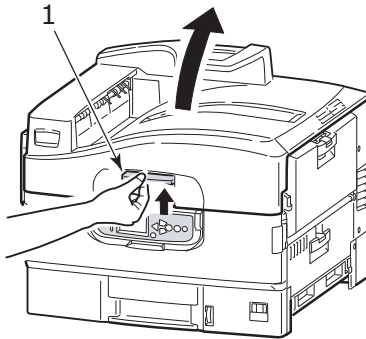
WARNING!

If the printer has recently been powered on, some fuser components will be very hot. Handle the fuser with extreme care, holding it only by its handle, which will only be mildly warm to the touch. A warning label clearly indicates the area. If in doubt, switch the printer off and wait at least 10 minutes for the fuser to cool before opening the printer cover.

1. Switch off the printer.



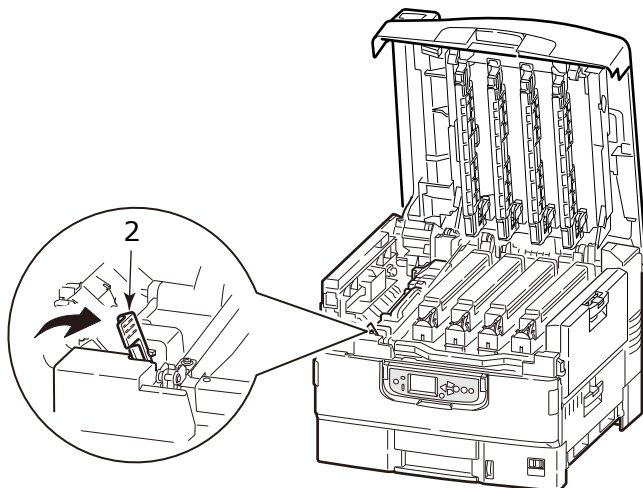
2. Squeeze the top cover handle (1) and open the top cover.



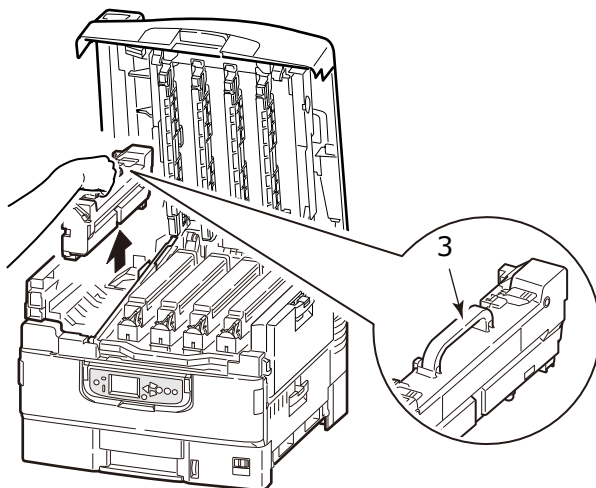
NOTE

Open the top cover fully while replacement. Otherwise the printer may be damaged.

3. Pull the lock lever (2) in the direction of the arrow to release the fuser unit.



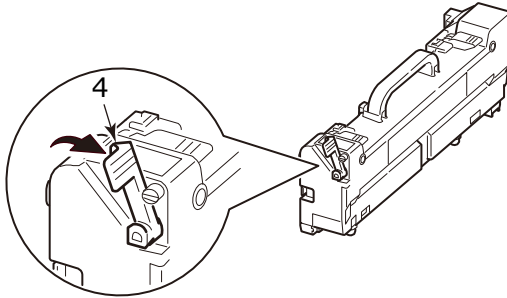
4. Holding the fuser by its handle (3), lift the fuser straight up and out of the printer.



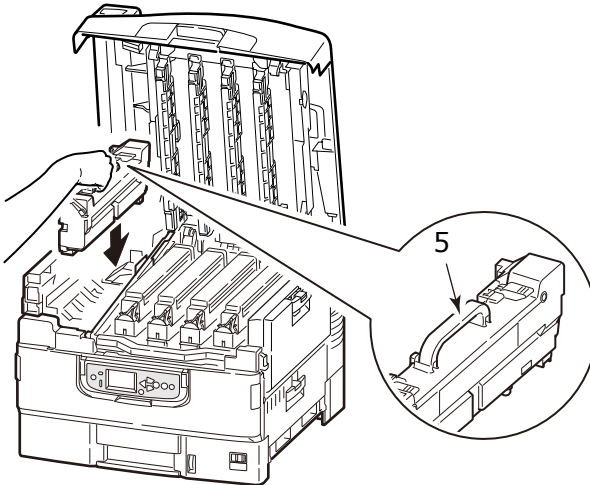
NOTE
Avoid the fuser unit bumping to the LED head.

Leave the fuser unit until it cools, and then put it into a bag and seal it.

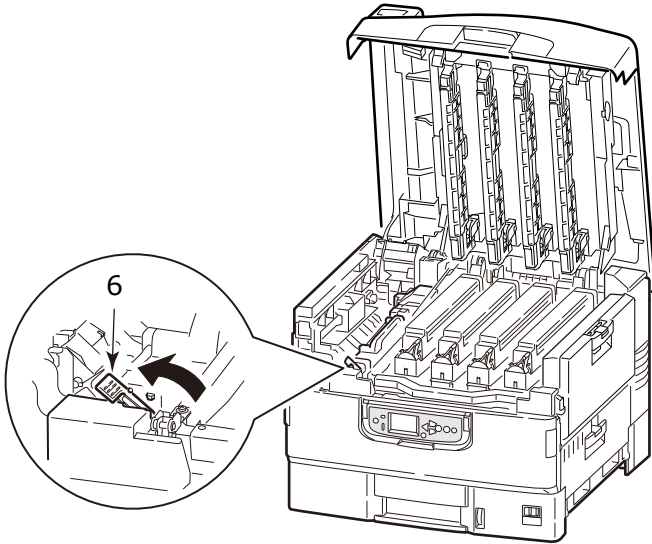
5. Take out the new fuser unit from the package, and place it on a flat surface.
6. Pull the lock lever of the fuser unit (4) to the direction of the arrow.



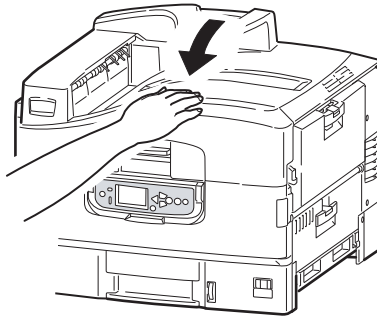
7. Holding the fuser unit by its handle (5), lower it straight into the printer carefully.



- 8.** Turn the lock lever (6) of the fuser unit to the direction of the arrow and lock the fuser unit.

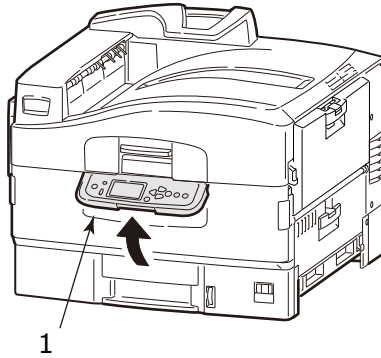


- 9.** Close the top cover.

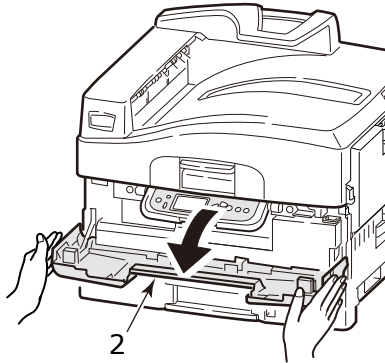


WASTE TONER BOX REPLACEMENT

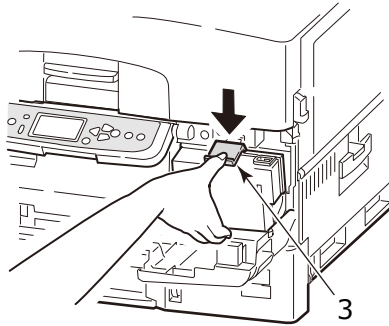
1. Lift the control panel (1) to a near horizontal position.



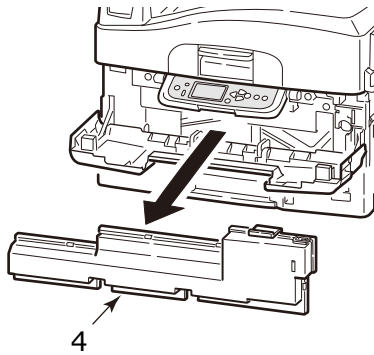
2. Holding the both sides of the front cover (2), pull it open.



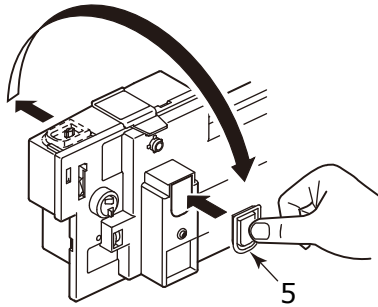
- 3.** While pushing the blue lock (3) of the waste toner box, pull it.



- 4.** Remove the waste toner box (4) from the printer.



5. Take off the cap (5) on the right side of the removed waste toner box, and cover the collection hole on the rear side with it.

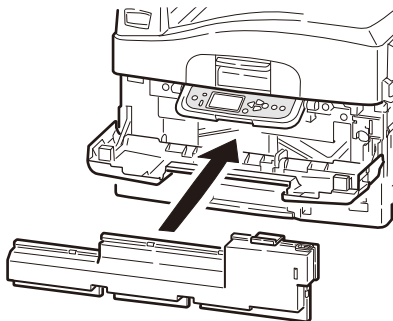


WARNING!

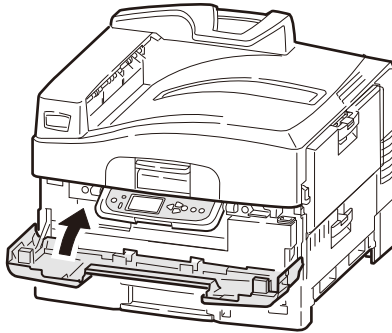
Do not throw waste toner box into a fire as you may receive burns from a dust explosion.

Put the removed waste toner box into a bag and seal it to prevent the toner from scattering.

6. Take out the new waste toner box from the package.
7. Insert the bottom of the box first, and set it into the printer. Check that it is firmly seated.



8. Close the front cover.



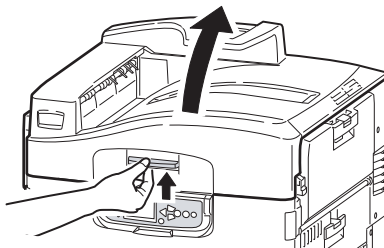
CLEANING THE LED HEADS

You are advised to clean the LED heads:

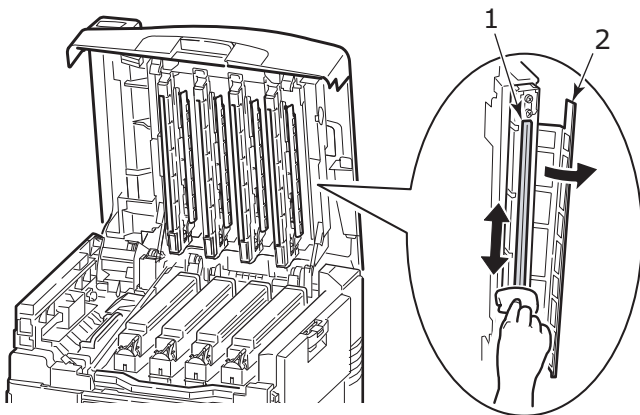
- > any time you replace a toner cartridge (a LED lens cleaner is enclosed with each replacement toner cartridge)
- > if printing is showing signs of faded images, white stripes or blurred letters

You can use a LED lens cleaner or dry, soft cloth for cleaning the LED heads.

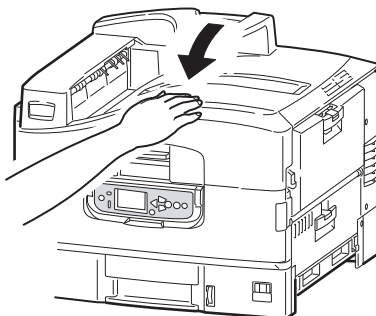
1. Open the top cover.



- 2.** With an LED lens cleaner or soft cloth, gently wipe each of the four heads (1). Move the cleaner as shown, using a clean section of the cleaner with each pass. Be careful not to damage the guards (2).



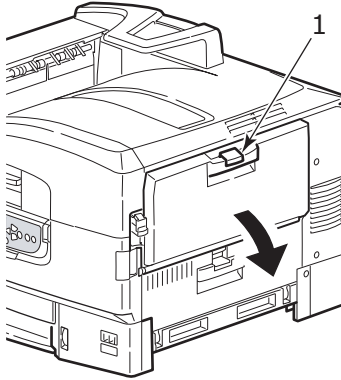
- 3.** Close the top cover.



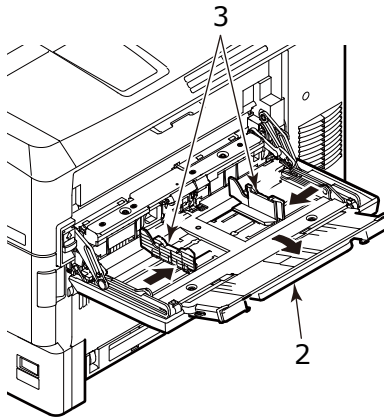
CLEANING THE PAPER FEED ROLLERS OF THE MP TRAY

Clean the paper feed rollers if paper jams frequently occur.

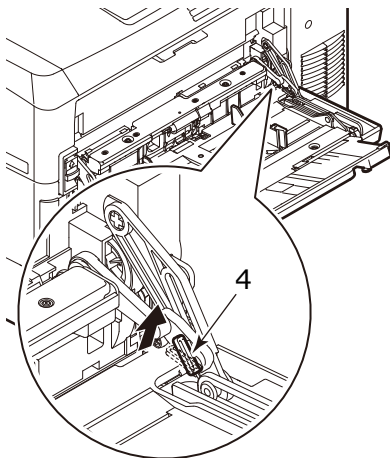
1. Squeeze the handle (1) and open the multi-purpose tray.



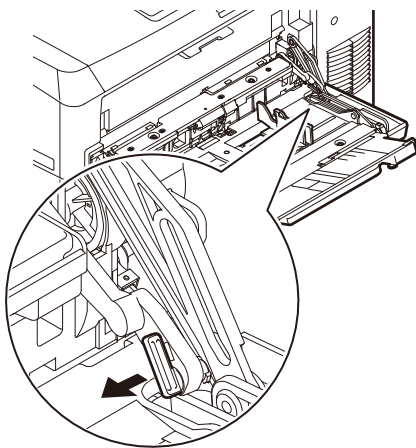
2. Unfold the paper support section (2) and slide the paper guides (3) slightly toward the center.



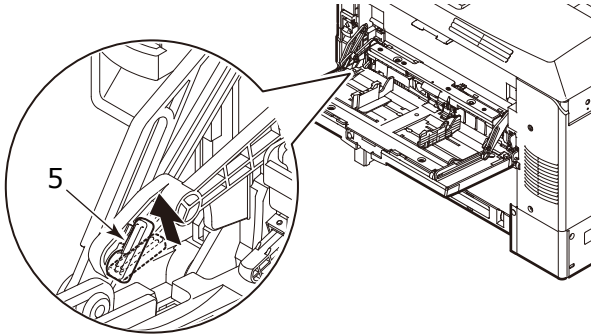
- 3.** On the right side of the multi-purpose tray, move the lever (4) located on the connecting part between the printer and multi-purpose tray to the position shown.



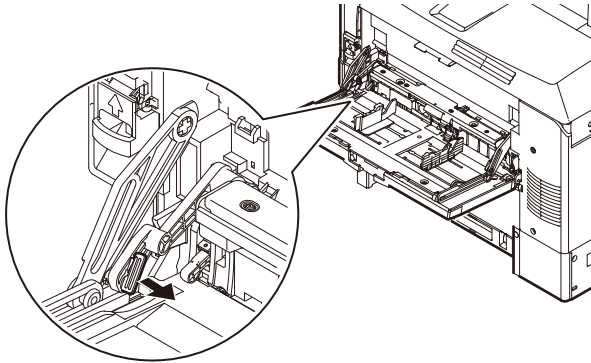
- 4.** Lift the multi-purpose tray slightly with the right hand, and push the lever inward and release it with the left hand.



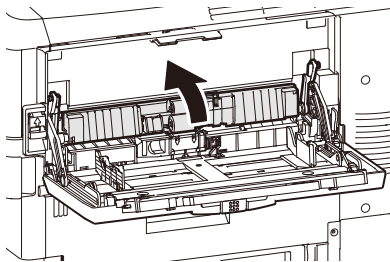
- 5.** On the left side of the multi-purpose tray, move the lever (5) located on the connecting part between the printer and multi-purpose tray to the position shown.



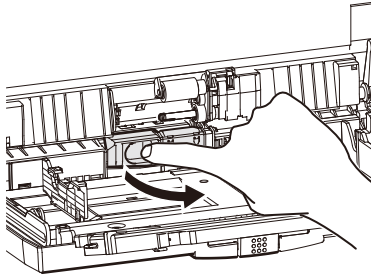
- 6.** Lift the multi-purpose tray slightly with the left hand, and push the lever inward and release it with the right hand.



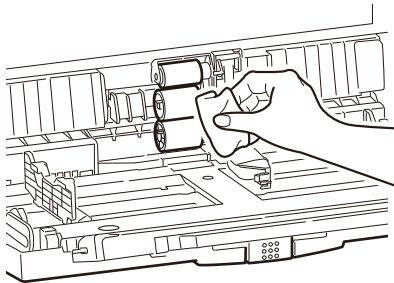
- 7.** Move the released part to the printer side. The cover lifts and the paper feed rollers appear.



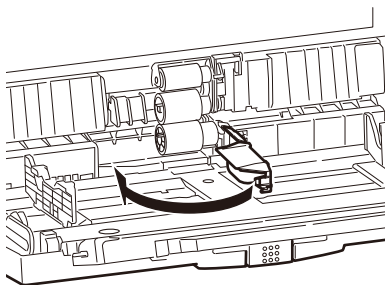
- 8.** Insert a finger into the hole under the rollers, and open the cover to the direction of the arrow.



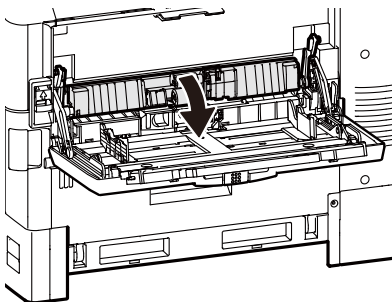
- 9.** Wipe the 3 paper feed rollers with a soft cloth lightly moistened with water.



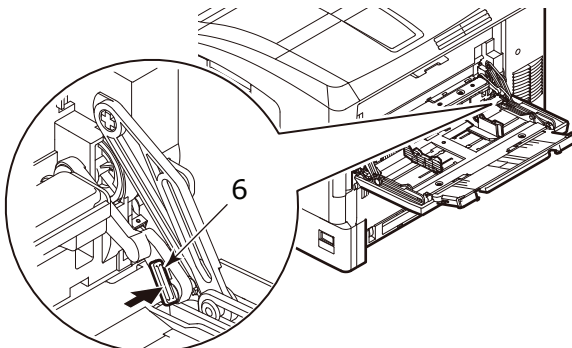
- 10.** Close the cover.



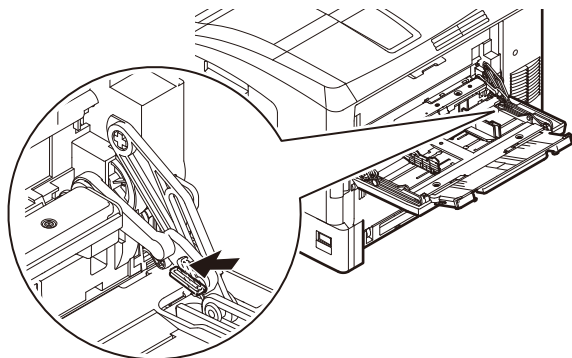
- 11.** Holding the connecting parts between the printer and multi-purpose tray with both hands, lower the cover.



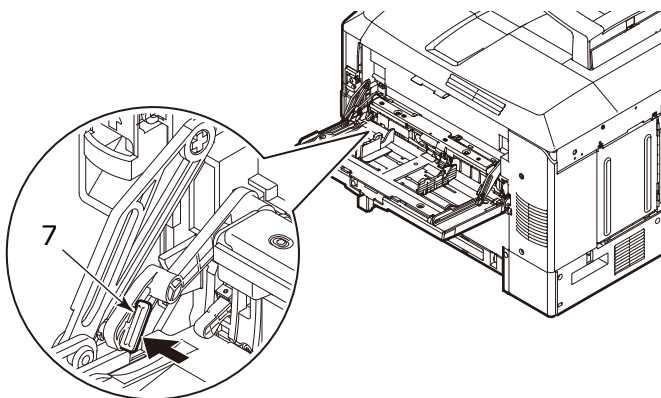
- 12.** Lift the right side of the multi-purpose tray slightly, and fit the protrusion of the lever (6) as shown.



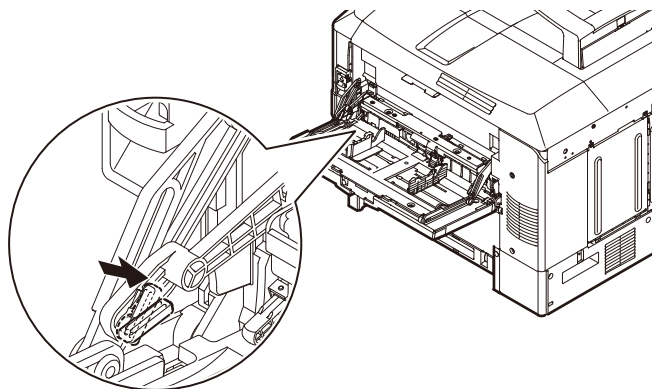
- 13.** Move the lever to the position shown.



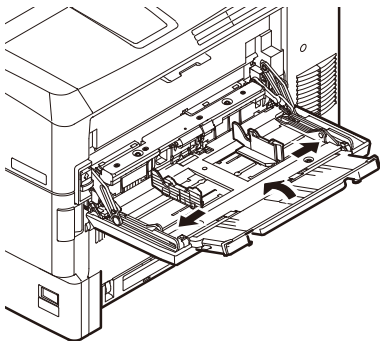
- 14.** Lift the left side of the multi-purpose tray slightly, and fit the protrusion of the lever (7) as shown.



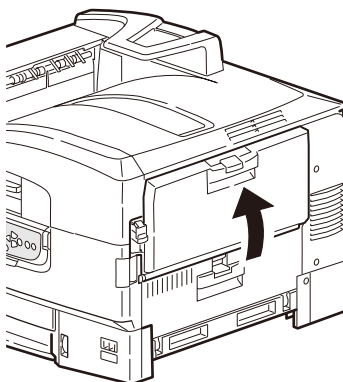
- 15.** Move the lever to the position shown.



- 16.** Slide the paper guides to their outermost positions, and fold the paper support section.



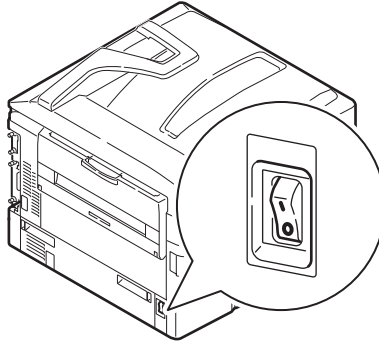
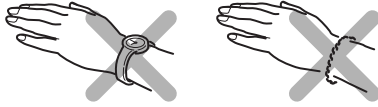
- 17.** Close the multi-purpose tray.



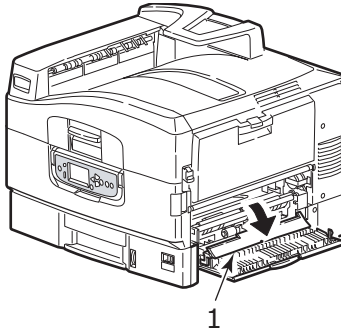
CLEANING THE PAPER FEED ROLLERS OF TRAY 1

Clean the paper feed rollers if paper jams frequently occur.

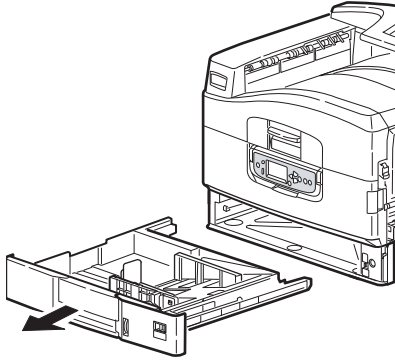
1. Remove items like a wrist watch or bracelet and follow the correct steps to turn the printer off depending on whether a hard disk drive is installed.



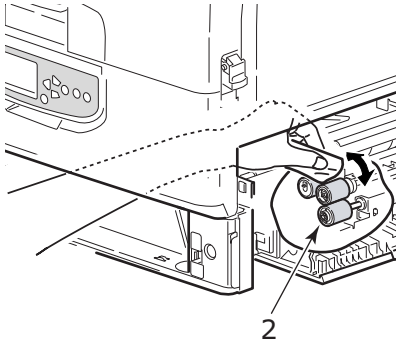
2. Open Tray 1 side cover and pull out the paper guide plate (1).



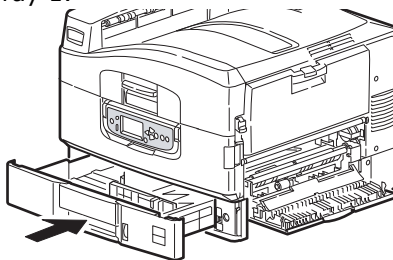
3. Remove Tray 1 completely from the printer.



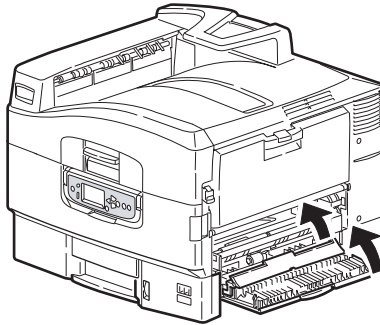
4. Gaining access through the gap left by Tray 1, wipe the 3 paper feed rollers (2) with a soft cloth lightly moistened with water.



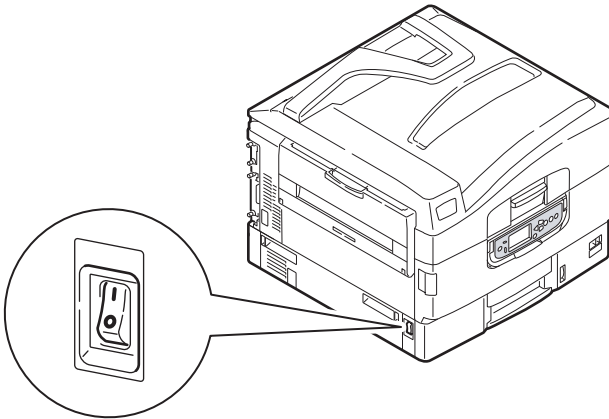
5. Replace Tray 1.



- 6.** Return the paper guide plate to its original position and close Tray 1 side cover.

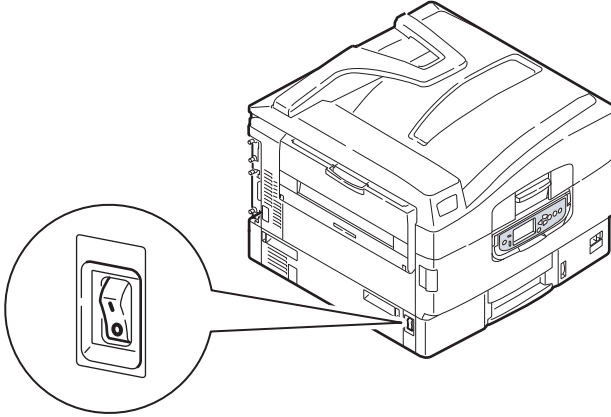


- 7.** Turn on the printer.

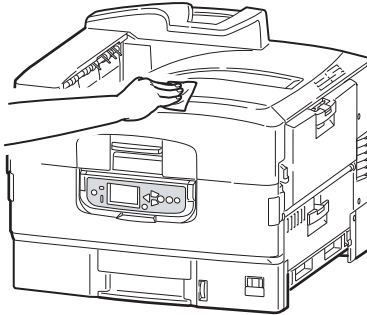


CLEANING THE PRINTER CASING

1. Follow the correct steps to turn the printer off depending on whether a hard disk drive is installed.

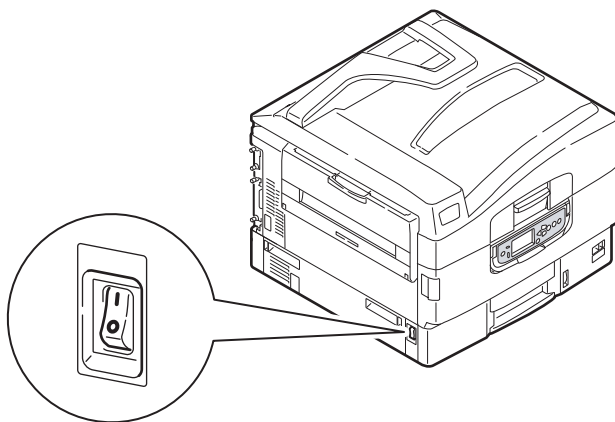


2. Wipe the printer surface with a soft cloth moistened sparingly with water or neutral detergent.



3. Use a soft dry cloth to dry the printer surface.

4. Turn on the printer.



OPTIONAL ACCESSORIES

This section describes optional accessory equipment for your printer. The following accessories are available:

- > additional RAM memory
- > hard disk drive (required for verified and spooled printing, when collation errors appear, adding extra fonts)
- > second, third paper tray (to increase paper input capacity)

NOTE

Tray configurations are: Tray 1 only, Tray 1 + Cabinet, Tray 1 + 2nd Tray, Tray 1 + 2nd Tray + Cabinet, Tray 1 + 2nd Tray + 3rd Tray

INSTALLING ACCESSORIES

Each accessory comes complete with its own documentation which gives full instructions on installation. You are advised to follow these instructions carefully.

After installation, print out a Menu Map (Configuration document) to check that the installation has been successful.

TROUBLESHOOTING

GENERAL

If the printer display panel does not display anything or is still in stand-by mode 10 minutes after switching on, follow the printer shutdown sequence to switch it off. Check all cable connections before restarting the printer. If the problem persists, contact your dealer.

PAPER JAMS

This section provides information to help you deal with problems that may arise when using the printer. The following paragraphs describe actions to take in the event of a paper jam and how to deal with unsatisfactory print results. Display panel messages about paper jams and relevant actions are given in this section while a list of other typical messages and suggested responses is given in ["Appendix A – Display Panel Messages" on page 150](#).

PAPER JAMS – PRINTER

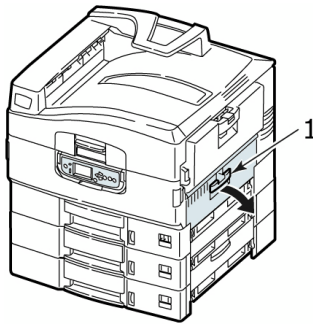
If a paper jam occurs, a message appears on the display panel in the printer Control Panel. You can press the Help button to display guidance on how to clear the jam.

For full details of clearing jams, refer to the following paragraphs, which correspond to the paper jam messages.

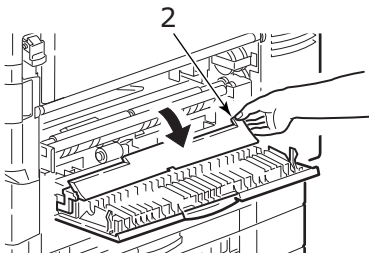
OPEN COVER, PAPER JAM, TTTTTT SIDE COVER

Tray 1, or any one of Tray 2 to Tray 3 (if installed), can appear in place of the tttttt characters in the display panel message. In this example Tray 1 is used, the procedure being similar for all other trays.

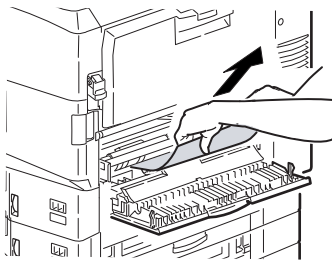
1. Squeeze the catch (1) on Tray 1 side cover and open the cover.



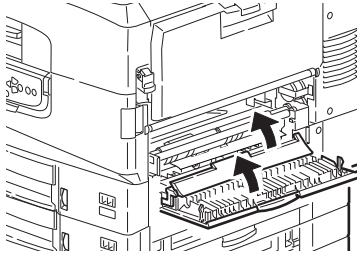
2. Holding it by the tab (2), turn the paper guide outward.



3. Carefully remove the jammed paper.

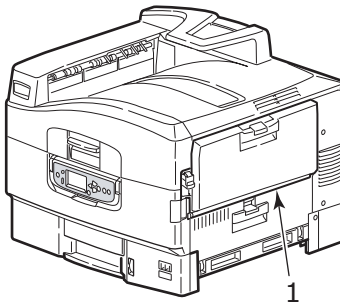


4. Put the paper guide back into position and close Tray 1 side cover.

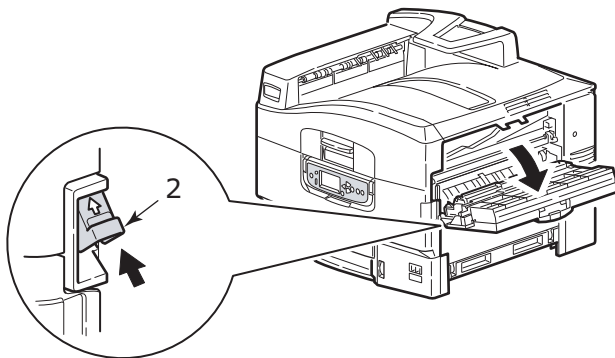


OPEN COVER, PAPER JAM, SIDE COVER

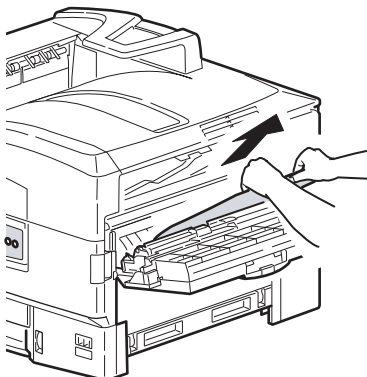
1. If the MP Tray is open, close it so that the side cover (1) is visible.



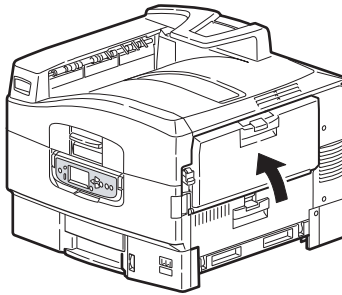
- 2.** Pull the release lever (2) and pull open the side cover.



- 3.** Carefully remove the jammed paper.

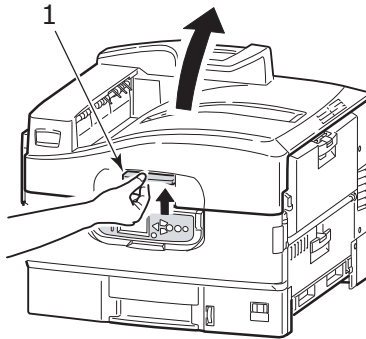


4. Close the side cover.



OPEN COVER, PAPER JAM, TOP COVER

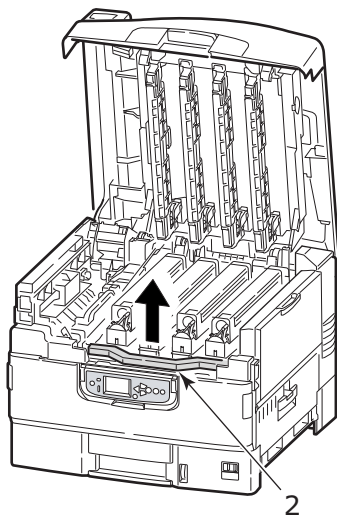
1. Squeeze the top cover handle (1) and open the top cover.



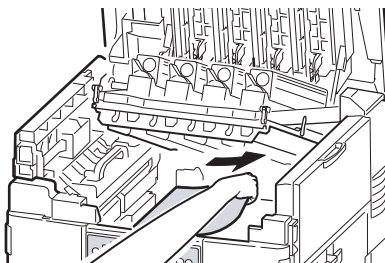
WARNING!

Be careful not to touch the fuser unit which is hot after printing.

2. Squeeze the basket handle (2) and raise the drum basket.



3. Carefully remove any paper on the belt.

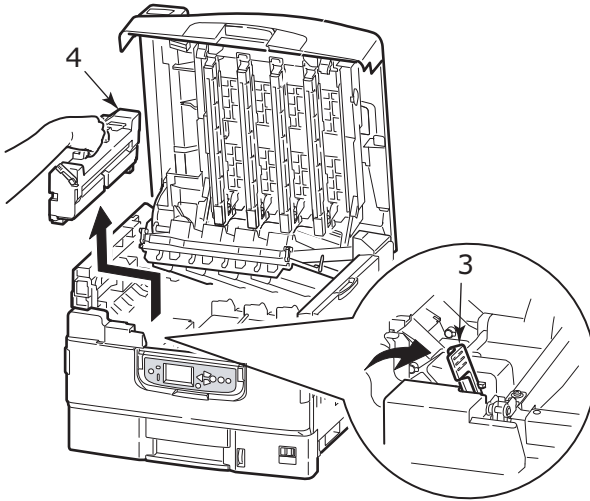


4. If paper is jammed in the fuser unit, push the lock lever (3) in the direction shown to release the unit.

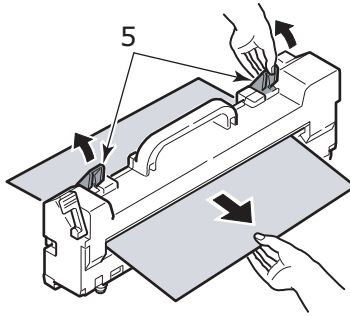
WARNING!

Be careful not to touch the fuser unit which may be hot after printing. If the fuser unit is hot, wait until it cools before attempting to remove any jammed paper.

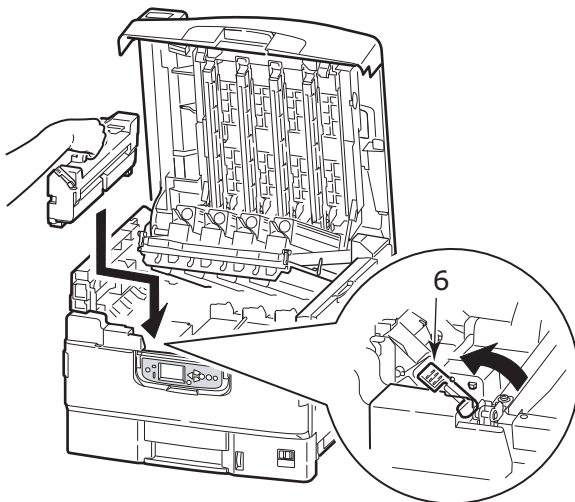
Holding the fuser unit (4) by the handle, lift it out of the printer and place it on a flat surface.



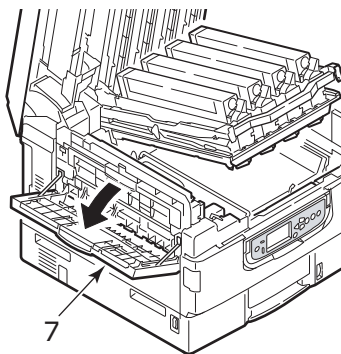
5. Pull up the jam release levers (5) and remove the jammed paper.



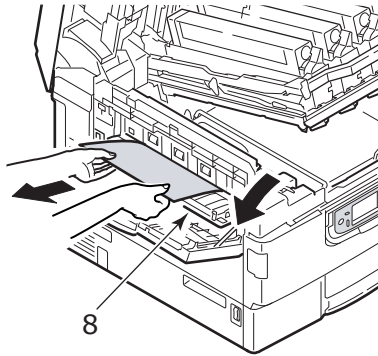
6. Carefully replace the fuser unit into the printer and turn the lock lever (6) in the direction shown to lock the fuser unit.



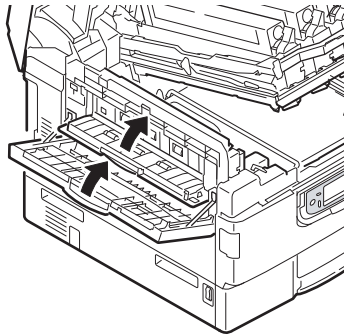
7. If paper is jammed near the paper exit, open the face-up stacker (7).



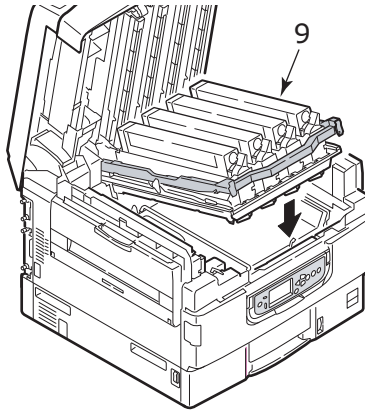
8. Open the side cover (paper exit) (8) and remove the jammed paper.



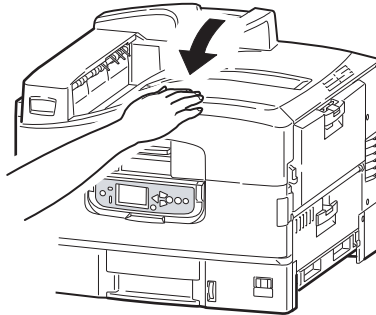
9. Close the side cover (paper exit) and then the face-up stacker.



10. Return the image drum basket (9) into position and check it is locked.



11. Close the top cover and ensure it is latched.



AVOIDING PAPER JAMS

The following table summarizes possible causes of paper jams and suggests ways of avoiding them.

POSSIBLE CAUSE	SUGGESTED REMEDY
The printer is not level.	Place the printer on a steady, level surface.
Your print media is too light or too heavy.	Use appropriate media.
Your print media is damp or charged with static electricity.	Use media that has been stored in appropriate temperature and humidity conditions.
Your print media is creased or curled.	Use appropriate media. Decurled media can be used.
Your print media sheets are not aligned with each other.	Remove the sheets, jog them into alignment and reload them.
Your print media is not aligned properly in the paper tray.	Adjust the paper stop and paper guides of the tray, or the manual feed guide on the MP Tray to align the media properly.
Your envelopes to be printed are not oriented properly.	Adjust the orientation as required.
Your printer feed roller is dirty.	Wipe the roller with a cloth moistened with water.
Your printer feed rollers are wearing out.	Replace the feed rollers.
The media weight or type have been wrongly set.	Select the correct printer menu settings for [Media Weight] and [Media Type].

DEALING WITH UNSATISFACTORY PRINTING

SYMPTOMS	POSSIBLE CAUSES	STEPS TO TAKE
Vertical white lines can be seen on the printed page.	The LED head is dirty.	Wipe the LED head with a LED lens cleaner or with a soft cloth.
	The toner is low.	Replace the toner cartridge.
	Foreign materials may be present in the image drum.	Replace the image drum cartridge.
	Light-shielding film of the image drum cartridge is dirty.	Wipe the film with a LED lens cleaner or with a soft cloth.
Printed images are fading vertically.	The LED head is dirty.	Wipe the LED head with a LED lens cleaner or with a soft cloth.
	The toner is low.	Replace the toner cartridge.
	The paper is not suitable for the printer.	Use recommended paper.
Printing is light.	The toner cartridge is not properly seated.	Reinstall the toner cartridge.
	The toner is low.	Replace the toner cartridge.
	The paper is moist.	Use paper stored in proper temperature and humidity conditions.
	The paper is not suitable for the printer.	Use recommended paper.
	Thickness and type of paper are inappropriate.	Set a proper value for [Media Weight] and [Media Type] in the menu setup, or set one value thicker for [Media Weight].
	Recycled paper is being used.	Set one value thicker for [Media Weight] in the menu setup.
Partially faded images. White spots and lines appear in solid printing.	Paper is moist or dry.	Use paper stored in proper temperature and humidity conditions.

SYMPTOMS	POSSIBLE CAUSES	STEPS TO TAKE
Vertical lines appear.	The image drum cartridge is damaged.	Replace the image drum cartridge.
	The toner is low.	Replace the toner cartridge.
	The toner is sticking to the fuser unit.	Replace the fuser cover sheet.
Horizontal Lines and spots appear periodically.	When the interval is about 94mm (4in), the image drum (the green tube) is damaged or dirty.	Wipe it lightly with a soft cloth. Replace the image drum cartridge when it is damaged.
	When the interval is about 42mm (1.5in), there may be foreign particles in the image drum cartridge.	Open/close the top cover, and print again.
	When the interval is about 87mm (3.5in), the fuser unit is damaged.	Replace the fuser unit.
	The image drum cartridge has been exposed to light.	Replace the image drum cartridge if the problem is not resolved.
Unprinted spots appear in the area about 30mm from the top edge of the paper.	Paper being used is too inelastic.	Enter a blank space on the first 30mm of the paper, and print again.
White area of paper is lightly stained.	Paper contains static.	Use paper stored in proper temperature and humidity conditions.
	Too thick paper is used.	Use thinner paper.
	The toner is low.	Replace the toner cartridge.
	The toner is sticking to the fuser unit roller.	Set 5 sheets of Letter paper on the MP tray horizontally, and execute Print Information > Demo Page > CleaningPage from the display panel.
Periphery of the letters is smudged.	The LED head is dirty.	Wipe the head with LED lens cleaner or with a soft cloth.

SYMPTOMS	POSSIBLE CAUSES	STEPS TO TAKE
Toner comes off when it is rubbed.	The thickness and type of the paper are incorrectly set.	Set the correct value of [Media Type] and [Media Weight] in the menu setup or set one value thicker for [Media Weight].
	Recycled paper is used.	Set one value thicker for [Media Weight] in the menu setup.
Glossiness is not uniform.	The thickness and type of the paper are incorrectly set.	Set the correct value of [Media Type] and [Media Weight] in the menu setup or set one value lighter for [Media Weight].
The printed page is blank.	A PostScript error has occurred.	A PostScript error is printed with white toner, so it is hard to see on the white paper. Print again from the application.

SPECIFICATIONS

ITEM	SPECIFICATION
Dimensions	599x625x471 mm (WxDxH)
Weight	Without options, approx. 76 kg
Print speeds	31 ppm color (75 – 105 g/m ² paper) 10 ppm color (Transparency film)
Resolution	1200 x 600 dpi
Emulations	Adobe PostScript 3™
First Print Time	10.5 sec (Color)
Memory	512 MB
Paper input at 20 lb (75 g/m ²)	Trays 1 – 3: 530 sheets Letter each MP Tray: 230 sheets Letter
Paper weight	64-300 g/m ²
Paper output	Face-down stacker: 500 sheets Face-up stacker: 200 sheets
Interfaces	Parallel, USB 2.0, 10/100Base-TX/1000Base-TX
Duty cycle	150,000 pages/month maximum
Toner life	Cyan, Magenta, Yellow: 15,000 A4 pages @ 5% coverage White: 8,000 A4 pages @ 5% coverage
Image drum life	Cyan, Magenta, Yellow: 20,000 A4 pages White: 10,000 A4 pages
Belt life	50,000 A4 pages
Fuser life	50,000 A4 pages
Waste toner box life	10,000 A4 pages
Power rating	110 – 127 VAC, 60 Hz 230 VAC, 50 Hz +/- 2Hz
Power consumption	Operating: 1,500 W maximum, 780W typical Standby: 600 W maximum, 200 W typical Power save: 33 W

ITEM	SPECIFICATION
Operating environment	Operating: 10 – 32°C/20 – 80%RH Off: 32 – 110°F/10 – 90%RH
Noise level	Operating: 54dBA maximum Standby: 42dBA maximum Power save: 28dBA maximum after 30 mins background level

APPENDIX A – DISPLAY PANEL MESSAGES

The display panel messages are intended to be self-explanatory. Representative messages are given as examples below.

MESSAGE	COMMENT
Ready to Print	Your printer is online and ready to print.
Printing ttttt	Your printer is printing and paper is currently being fed from ttttt, where ttttt identifies a tray.
ttttt Near End	The paper supply in the tray identified by ttttt will run out soon.
ccccc Toner Low	The remaining toner of color ccccc is running low.
Fuser Unit Near Life	The fuser unit is nearing the end of its working life.
Change Fuser Unit	The fuser unit has reached the end of its working life and has to be changed.
Invalid Data Press ONLINE Button	Invalid data has been received by the printer. Press the ONLINE button to clear this warning.
Change Paper in ttttt mmmmmm pppppp Press ONLINE button Please see HELP for details	There is a mismatch between the media in the tray and print data. Load media of size mmmmm and type ppppp into tray ttttt. The message may remain for some time after you have closed the tray. You can have the printer ignore this error for the current print job by pressing the ONLINE button. You can access help details by pressing the HELP button.
Install Paper ttttt mmmmmm Please see HELP for details	The printer has tried to take paper from an empty tray. Load media of size mmmmm into tray ttttt. The message may remain for some time after you have closed the tray. You can access help details by pressing the HELP button.
Install Tray ttttt	The printer has tried to take paper from a tray that has been removed. Ensure that tray ttttt is correctly located or put tray ttttt loaded with paper back into the printer.
Open Cover Paper Remains ttttt Please see HELP for details	Additional paper has been detected after a paper jam has been cleared. Open ttttt side cover to check for additional paper. You can access help details by pressing the HELP button.

MESSAGE	COMMENT
Check Image Drum cccccc Please see HELP for details	Check that the image drum of color cccccc is correctly installed. You can access help details by pressing the HELP button.

APPENDIX B – MENU SYSTEM

The top-level Functions menus are:

- > Configuration
- > Print Information
- > Menus
- > Admin Setup
- > Calibration

The other special top-level menu is:

- > Boot Menu

The following tables summarise the Configuration, Print Information and Menus menu trees and provide some usage examples. The menu trees are given to the lowest menu item level. Typically, this can be a parameter that can be set by selecting from a range of values provided or a command that can be executed to display or print a status or setting value.

Emboldened values followed by an (A) denote default values associated with locations where A4 is default paper size.

Emboldened values followed by an (L) denote default values associated with locations where Letter is default paper size.

Emboldened values followed by neither (A) nor (L) denote common defaults.

Certain menus and items associated with, for example, the printer hard disk appear only if the associated hardware is installed or under certain conditions.

The remainder of the menus above are intended for more specialized usage and are not described further here. For full details of using all menus to configure and use the printer, refer to the Network and Configuration Guide.

CONFIGURATION

PRINT PAGE COUNT

ITEM	VALUE	DESCRIPTION
Traym	nnnnnn	Displays total printed pages from Traym, where m is in range 1 to 3.
MP Tray	nnnnnn	Displays total printed pages from MP tray.

SUPPLIES LIFE

ITEM	VALUE	DESCRIPTION
xxxx Drum	Remaining nnn%	Displays the remaining life span of the xxxx drum as a percentage where xxxx can be Cyan, Magenta, Yellow, White.
Belt	Remaining nnn%	Displays the remaining life span of the belt unit as a percentage.
Fuser	Remaining nnn%	Displays the remaining life span of the fuser unit as a percentage.
xxxx Toner (n.nK)	Remaining nnn%	Displays the remaining life span of xxxx toner as a percentage, where xxxx can be Cyan, Magenta, Yellow, White. (n.nK) indicates the capacity of the toner cartridge being used.

NETWORK

ITEM	VALUE	DESCRIPTION
Printer Name	xxxxxxxxxxxxxxxx xxxxxxxxxxxxxxxx	Displays printer name (DNS or PnP) in wired network.
Short Printer Name	xxxxxxxxxxxxxxxx	Displays printer name (NetBEUI) in wired network.
IP Address	xxx.xxx.xxx.xxx	Displays IP address.
Subnet Mask	xxx.xxx.xxx.xxx	Displays subnet mask.
Gateway Address	xxx.xxx.xxx.xxx	Displays gateway address.
MAC Address	xx.xx.xx.xx.xx.xx	Displays the network MAC address.
Network FW Version	xx.xx	Displays the network firmware version.
Web Remote Version	xx.xx	Indicates the network web page version.

PAPER SIZE IN TRAY

ITEM	VALUE	DESCRIPTION
Traym where m is in range 1 to 3 (similar arrangement for all trays)	Executive Letter Short Edge Letter Long Edge Legal 14 Legal 13.5 Tabloid Tabloid Extra Legal 13 A6 A5 A4 Short Edge A4 Long Edge A3 A3 Nobi A3 Wide B5 Short Edge B5 Long Edge B4 Custom	Displays detected paper size of Traym.
MP Tray	Similar to values for Traym	Displays detected paper size of the MP Tray.

SYSTEM

ITEM	VALUE	DESCRIPTION
Serial Number	xxxxxxxxxxxxxxxx	Displays serial no. of the printer.
Asset Number	xxxxxxx	Displays Asset Number. Asset Number is 8 alphanumeric characters that can be assigned by a user. Same as Asset Number of Menu Map.
CU Version	xx.xx	Displays version no. of CU (Control Unit) firmware. Same as CU version of Menu Map.
PU Version	xx.xx.xx	Displays version no. of PU (Print Unit) firmware. Same as PU version of Menu Map.
Total Memory	xx MB	Displays total RAM memory installed in the printer. Same as Total Memory of Menu Map.
Flash Memory	xx MB [Fxx]	Displays total flash memory installed in the printer and version. Same as Flash Memory of Menu Map.
HDD	xx.xx GB [Fxx]	Displays size of hard disk and file system version. Same as HDD of Menu Map.

PRINT INFORMATION

ITEM		ITEM	DESCRIPTION
Configuration	Execute		Prints printer configuration details.
Network	Execute		Prints summary information about the wired network.
Demo Page	DEMO1	Execute	Prints a demo page.
File List	Execute		Prints a list of jobs stored on the Hard Disk (if installed).
PS Font List	Execute		Prints PostScript font list
Error Log	Execute		Prints the error log.
Color Profile List	Execute		Prints a color profile list.

PRINT INFORMATION EXAMPLE – DEMONSTRATION PAGE

To print a printer demo page to demonstrate how your printer prints:

- 1.** Ensure that the display panel indicates that the printer is ready to print.
- 2.** Enter menu mode by pressing either the **Up-arrow** or **Down-arrow** button and press them repeatedly until the Print Information menu is highlighted.
- 3.** Press the **Enter** button to select this menu.
- 4.** Press the **Up-arrow** or **Down-arrow** buttons repeatedly until Demo page is highlighted.
- 5.** Press the **Enter** button to select this Item.
- 6.** Press the **Up-arrow** or **Down-arrow** buttons repeatedly until Demo 1 is highlighted.
- 7.** Press the **Enter** button to select this Item and the demo page is printed.
- 8.** After printing, the printer returns to ready to print status.

MENUS

TRAY CONFIGURATION

ITEM	VALUE	DESCRIPTION
Paper Feed	Tray1 Tray2 Tray3 MP Tray	Specifies a feed tray. Indicated only when Tray2-3 implemented.
Auto Tray Switch	On Off	Sets the automatic tray switch function.
Tray Sequence	Down Up Paper Feed	Specifies selection order priority for automatic tray selection/automatic tray switch.
Unit of Measure	inch (L) millimeter (A)	Specifies units for custom paper size.

ITEM	VALUE		DESCRIPTION
Traym Config, where m is in range 1 to 3 (similar arrangement for all trays)	Paper Size	Cassette Size Custom	Sets paper in Traym.
	X Dimension	3.9 – 8.3 (A) – 8.5 (L) – 12.9 inch 100 – 210 (A) – 216 (L) – 328 mm	Sets Custom paper width for Traym. Sets for the direction perpendicular to the direction of paper movement.
	Y Dimension	5.8 – 11 (L) – 11.7 (A) – 18 inch 148 – 279 (L) – 297 (A) – 457 mm	Sets Custom paper length for Traym. Sets for the same direction as paper movement.
	Media Type	Plain Letterhead Transparency Bond Recycled Card stock Rough Glossy USERTYPE1 USERTYPE2	Sets the media type for Traym. USERTYPE1 and USERTYPE2 are reserved for custom paper sizes set in the printer driver.
	Media Weight	Auto Light Medium Light Medium Medium Heavy Heavy Ultra Heavy 1 Ultra Heavy 2 Ultra Heavy 3	Sets media weight for Traym.
	A3 Nobi Paper	A3 Nobi A3 Wide Tabloid Extra	The printer detects A3 Nobi, A3 Wide and Tabloid Extra sizes as the same. Use this setting to tell the printer which of the three sizes is loaded in Traym.
Traym Config, where m is in range 1 to 3 (similar arrangement for all trays)	Legal 14 Paper	Legal 14 Legal 13.5	Sets the length of the legal paper in Traym. Change this to Legal 13.5 if that is the standard legal size in your country.

ITEM	VALUE		DESCRIPTION
MP Tray Config	Paper Size	A3 Nobi A3 Wide A3 A4 Short Edge A4 Long Edge (A) A5 A6 B4 B5 Short Edge B5 Long Edge Legal 14 Legal 13.5 Tabloid Extra Tabloid Letter Short Edge Letter Long Edge (L) Executive Custom Com-9 Envelope Com-10 Envelope Monarch Envelope DL Envelope C5 C4 Index Card	Sets paper size for MP Tray.
	X Dimension	3 – 8.3 (A) – 8.5 (L) – 12.9 inch 76 – 210 (A) – 216 (L) – 328 mm	Sets Custom paper width for the MP Tray. Sets for the direction perpendicular to the direction of paper movement.
	Y Dimension	3.5 – 11.0 (L) – 11.7 (A) – 47.2 inch 90 – 279 (L) – 297 (A) – 1200 mm	Sets Custom paper length for MP Tray. Sets for the same direction as paper movement.

ITEM	VALUE		DESCRIPTION
MP Tray Config	Media Type	Plain Letterhead Transparency Labels Bond Recycled Card stock Rough Glossy Envelope USERTYPE1 USERTYPE2	Sets the media type for MP Tray.
	Media Weight	Auto Light Medium Light Medium Medium Heavy Heavy Ultra Heavy 1 Ultra Heavy 2 Ultra Heavy 3 Ultra Heavy 4	Sets the media weight for MP Tray.
	Tray Usage	Normal Tray	Tray selection/switching uses this tray as the normal tray.
		When Mismatching	If a paper size or type in a tray is not matched to that of the print data, use paper from this tray instead of the specified tray.
		Do Not Use	Makes the MP tray unavailable in auto tray selection/switching.

SYSTEM ADJUST

ITEM	VALUE	DESCRIPTION
Power Save Time	1 minute 3 minutes 5 minutes 15 minutes 30 minutes 60 minutes 240 minutes	Sets the period after which power save mode starts.
Clearable Warning	ONLINE Job	When Online is selected, you must manually clear the warning by pressing the Online button. Change to Job if you wish the message to automatically clear when a new print job is received.
Auto Continue	On Off	Sets whether the printer is automatically recovered when Memory Overflow or Tray Request occurs.
Manual Timeout	OFF 30 seconds 60 seconds	If paper is not fed within this time in manual feed, the job is cancelled.
Wait Timeout	OFF 5 seconds 10 seconds 20 seconds 30 seconds 40 seconds 50 seconds 60 seconds 90 seconds 120 seconds 150 seconds 180 seconds 210 seconds 240 seconds 270 seconds 300 seconds	Sets the time period between stopping receipt of job data and forced print. For PS, printing is not carried out and the job is cancelled.

ITEM	VALUE		DESCRIPTION
Low Toner	Continue Stop		Sets the printing operation when insufficient toner is detected. Continue: the printer can continue printing while remaining online. Stop: the printer stops printing and goes offline.
Jam Recovery	On Off		On: continues printing the job, including any jammed pages, once the jam has been cleared. Off: Cancels a job including the page currently jammed.
Error Report	On Off		On: prints an error report during the occurrence of an internal error. This item is valid only for PS.
Print Position Adjust	X Adjust	0.00 +0.25 – +2.00 -2.00 – -0.25 millimeter	Adjusts the position of the whole printing image (0.25 mm interval) perpendicular to the direction of paper movement (i.e. horizontally).
	Y Adjust	0.00 +0.25 – +2.00 -2.00 – -0.25 millimeter	Adjusts the position of the whole printing image (0.25 mm interval) parallel to the direction of paper movement (i.e. vertically).

ITEM	VALUE	DESCRIPTION
Paper Color Setting	0 +1 +2 -2 -1	Used for fine color adjustment for a significantly white horizontal dotted line, a significantly faded image or other such a problem that occurs in results printed on plain paper. Decrement setting when a white horizontal dotted line or a snowy image occurs in high-coverage print portions. Increment setting when a faded image occurs.
Films Color Setting	0 +1 +2 -2 -1	Used for fine color adjustment for a significantly white horizontal dotted line, a significantly faded image or other such a problem that occurs in results printed on transparencies. Decrement setting when a white horizontal dotted line or a snowy image occurs in high-coverage print portions. Increment setting when a faded image occurs.
SMR Setting	0 +1 +2 +3 -3 -2 -1	Corrects print result variations caused by differences in temperature and humidity environment, or print density or frequency. This setting must be changed when print quality varies by printed result.

ITEM	VALUE	DESCRIPTION
BG Setting	0 +1 +2 +3 -3 -2 -1	Corrects print result variations caused by differences in temperature and humidity environment, or print density or frequency. This setting must be changed when a dark background occurs in printed result.
Drum Cleaning	On Off	Set to produce idling of a drum before printing in order to reduce horizontal white lines. This shortens image drum life.
Hex Dump	Execute	Prints out the data received from the host PC in hexadecimal code.

MENUS EXAMPLE 1 – TRAY 1 TRANSPARENCIES

To print on transparencies (accommodated in Tray1):

1. Ensure that the display panel indicates that the printer is ready to print.
2. Enter menu mode by pressing either the **Up-arrow** or **Down-arrow** button and press them repeatedly until the Menu menu is highlighted.
3. Press the **Enter** button to select this menu.
4. Press the **Up-arrow** or **Down-arrow** buttons repeatedly until Tray Configuration is highlighted.
5. Press the **Enter** button to select this Item.
6. Press the **Up-arrow** or **Down-arrow** buttons repeatedly until Tray1 Config is highlighted.
7. Press the **Enter** button to select this Item.
8. Press the **Up-arrow** or **Down-arrow** buttons repeatedly until MediaType is highlighted.

9. Press the **Enter** button to select this Item.
10. Press the **Up-arrow** or **Down-arrow** buttons repeatedly to move through the range of media types until Transparency is highlighted.
11. Press the **Enter** button to select this value.
12. Check that an asterisk (*) appears beside Transparency.
13. Press the **Online** button to exit menu mode and return to the ready to print status.

MENUS EXAMPLE 2 – MP TRAY PAPER SIZE

To set paper size in the MP Tray:

1. Ensure that the display panel indicates that the printer is ready to print.
2. Enter menu mode by pressing either the **Up-arrow** or **Down-arrow** button and press them repeatedly until the Menus menu is highlighted.
3. Press the **Enter** button to select this menu.
4. Press the **Up-arrow** or **Down-arrow** buttons repeatedly until Tray Configuration is highlighted.
5. Press the **Enter** button to select this Item.
6. Press the **Up-arrow** or **Down-arrow** buttons repeatedly until MP Tray Config is highlighted.
7. Press the **Enter** button to select this Item.
8. Press the **Up-arrow** or **Down-arrow** buttons repeatedly until Paper Size is highlighted.
9. Press the **Enter** button to select this Item.
10. Press the **Up-arrow** or **Down-arrow** buttons repeatedly to move through the range of paper sizes until the required size is highlighted.
11. Press the **Enter** button to select this value.
12. Check that an asterisk (*) appears beside the chosen size.
13. Press the **Online** button to exit menu mode and return to the ready to print status.

OKI CONTACT DETAILS

OKI Systems (UK) Limited

550 Dundee Road
Slough Trading Estate
Slough
Berkshire
SL1 4LE

Tel: +44 (0) 1753 819819
Fax: +44 (0) 1753 819899
<http://www.oki.co.uk>

OKI Systems Ireland Limited

The Square Industrial Complex
Tallaght
Dublin 24

Tel: +353 (0) 1 4049590
Fax: +353 (0) 1 4049591
<http://www.oki.ie>

OKI Systems Ireland Limited - Northern Ireland

19 Ferndale Avenue
Glengormley
BT36 5AL
Northern Ireland

Tel: +44 (0) 7767 271447
Fax: +44 (0) 1 404 9520
<http://www.oki.ie>

Technical Support for all
Ireland:

Tel: +353 1 4049570
Fax: +353 1 4049555
E-mail: tech.support@oki.ie

OKI Systems (Czech and Slovak), s.r.o.

IBC – Pobřežní 3
186 00 Praha 8
Czech Republic

Tel: +420 224 890158
Fax: +420 22 232 6621
Website: www.oki.cz,
www.oki.sk

OKI Systems (Deutschland) GmbH

Hansaallee 187
40549 Düsseldorf

Tel: 01805/6544357**
01805/OKIHELP**
Fax: +49 (0) 211 59 33 45
Website:
www.okiprintingsolutions.de
info@oki.de

**0,14€/Minute aus dem dt.
Festnetz der T-Com (Stand
11.2008)

Διανομέας των συστημάτων OKI

CPI S.A1 Rafailidou str.
177 78 Tavros
Athens
Greece

Tel: +30 210 48 05 800
Fax: +30 210 48 05 801
EMail:sales@cpi.gr

OKI Systems (Iberica), S.A.U

C/Teide, 3
San Sebastian de los Reyes
28703, Madrid

Tel: +34 91 3431620
Fax: +34 91-3431624
Atención al cliente: 902 36 00 36
Website: www.oki.es

OKI Systèmes (France) S.A.

44-50 Av. du Général de
Gaulle
94246 L'Hay les Roses
Paris

Tel: +33 01 46 15 80 00
Télécopie: +33 01 46 15 80 60
Website: www.oki.fr

OKI Systems (Magyarország) Kft.

Capital Square
Tower 2
7th Floor
H-1133 Budapest,
Váci út 76
Hungary

Telefon: +36 1 814 8000
Telefax: +36 1 814 8009
Website: www.okihu.hu

OKI Systems (Italia) S.p.A.

via Milano, 11,
20084 Lacchiarella (MI)

Tel: +39 (0) 2 900261
Fax: +39 (0) 2 90026344
Website: www.oki.it

OKI Printing Solutions

Platinum Business Park II, 3rd
Floor
ul. Domaniewska 42
02-672 Warsaw
Poland

Tel: +48 22 448 65 00
Fax: +48 22 448 65 01
Website: www.oki.com.pl
E-mail: oki@oki.com.pl
Hotline: 0800 120066
E-mail: tech@oki.com.pl

OKI Systems (Ibérica) S.A.

Sucursal Portugal
Edifício Prime -
Av. Quinta Grande 53
7º C Alfragide
2614-521 Amadora
Portugal

Tel: +351 21 470 4200
Fax: +351 21 470 4201
Website:www.oki.pt
E-mail : oki@oki.pt

OKI Service Serviço de apoio técnico ao Cliente

Tel: 808 200 197
E-mail : okiserv@oki.pt

OKI Europe Ltd. (Russia)

Office 702, Bldg 1
Zagorodnoye shosse
117152, Moscow

Tel: +74 095 258 6065
Fax: +74 095 258 6070
e-mail: info@oki.ru
Website: www.oki.ru

Technical support:

Tel: +7 495 564 8421
e-mail: tech@oki.ru

OKI Systems (Österreich)

Campus 21
Businesszentrum Wien Sued
Liebermannstrasse A02 603
22345 Brun am Gebirge

Tel: +43 223 6677 110
Drucker Support:
+43 (0) 2236 677110-501
Fax Support:
+43 (0) 2236 677110-502
Website: www.oki.at

OKI Europe Ltd. (Ukraine)

Raisy Opkinoy Street,8
Building B, 2nd Floor,
Kiev 02002
Ukraine

Tel: +380 44 537 5288
e-mail: info@oki.ua
Website: www.oki.ua

OKI Sistem ve Yazıcı Çözümleri

Tic. Ltd. Şti.

Harman sok Duran Is Merkezi,
No:4, Kat:6,
34394, Levent
Istanbul

Tel: +90 212 279 2393
Faks: +90 212 279 2366
Web: www.oki.com.tr
www.okiprintingsolutions.com.tr

Oki Systems (Belgium)

Medialaan 24
1800 Vilvoorde

Helpdesk: 02-2574620

Fax: 02 2531848

Website: www.oki.be

AlphaLink Bulgaria Ltd.

2 Kukush Str.
Building "Antim Tower", fl. 6
1463 Sofia, Bulgaria

tel: +359 2 821 1160

fax: +359 2 821 1193

Website:

<http://bulgaria.oki.com>

OKI Printing Solutions

Herstedøstervej 27

2620 Albertslund

Danmark

Adm.: +45 43 66 65 00

Hotline: +45 43 66 65 40

Salg: +45 43 66 65 30

Fax: +45 43 66 65 90

Website: www.oki.dk

Oki Systems (Finland) Oy

Polaris Capella

Vänrikinkuja 3

02600 Espoo

Tel: +358 (0) 207 900 800

Fax: +358 (0) 207 900 809

Website: www.oki.fi

Oki Systems (Holland) b.v.

Neptunustraet 27-29

2132 JA Hoofddorp

Helpdesk: 0800 5667654

Tel: +31 (0) 23 55 63 740

Fax: +31 (0) 23 55 63 750

Website: www.oki.nl

Oki Systems (Norway) AS

Tevlingveien 23

N-1081 Oslo

Tel: +47 (0) 63 89 36 00

Telefax: +47 (0) 63 89 36 01

Ordrefax: +47 (0) 63 89 36 02

Website: www.oki.no

**General Systems S.R.L.
(Romania)**

Sos. Bucuresti-Ploiesti Nr. 135.

Bucharest 1

Romania

Tel: +40 21 303 3138

Fax: +40 21303 3150

Website: <http://romania.oki.com>

Var vänlig kontakta din
Återförsäljare i första hand, för
konsultation. I andra hand
kontakta

Oki Systems (Sweden) AB

Borgarfjordsgatan 7

Box 1191

164 26 Kista

Tel. +46 (0) 8 634 37 00

e-mail:

info@oki.se för allmänna

frågor om Oki produkter

support@oki.se för teknisk

support gällandes Oki

produkter

Vardagar: 08.30 - 12.00,

13.00 - 16.00

Website: www.oki.se

Oki Systems (Schweiz)

Baslerstrasse 15

CH-4310 Rheinfelden

Support deutsch +41 61 827 94 81

Support français +41 61 827 94 82

Support italiano +41 061 827 9473

Tel: +41 61 827 9494

Website: www.oki.ch

OKI EUROPE LIMITED

Blays House

Wick Road

Egham

Surrey, TW20 0HJ

United Kingdom

Tel: +44 (0) 208 219 2190

Fax: +44 (0) 208 219 2199

WWW.OKIPRINTINGSOLUTIONS.COM

